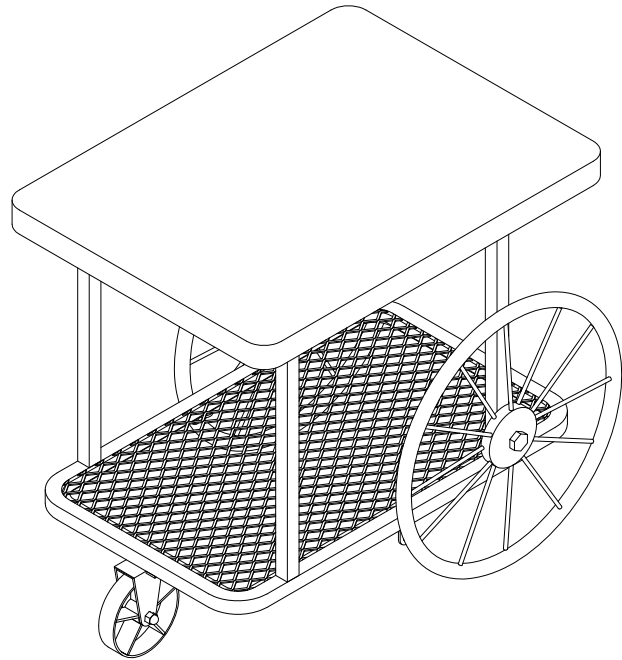
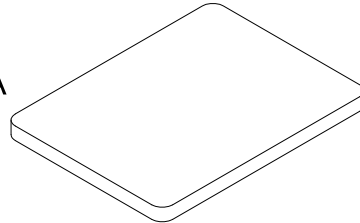
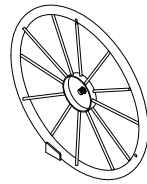
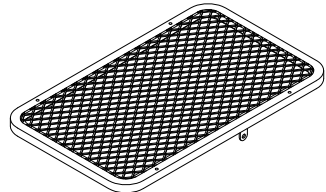

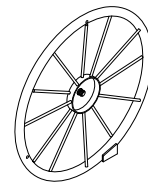





## ASSEMBLY INSTRUCTIONS









**Do not tighten screws until completely assembled.**

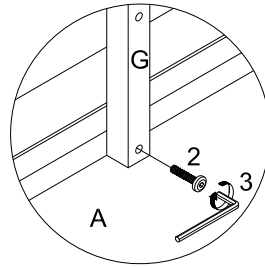
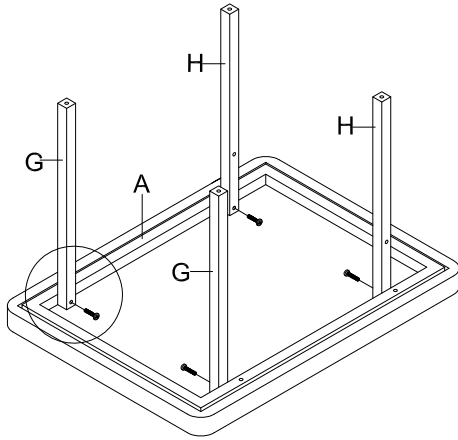
## PARTS IDENTIFICATION


<p>A  1pc</p>	<p>D  1pc</p>
<p>B  1pc</p>	<p>E  1pc</p>
<p>C  1pc</p>	<p>F  1pc</p> <p>G  2pcs</p> <p>H  2pcs</p>

## HARDWARE LIST

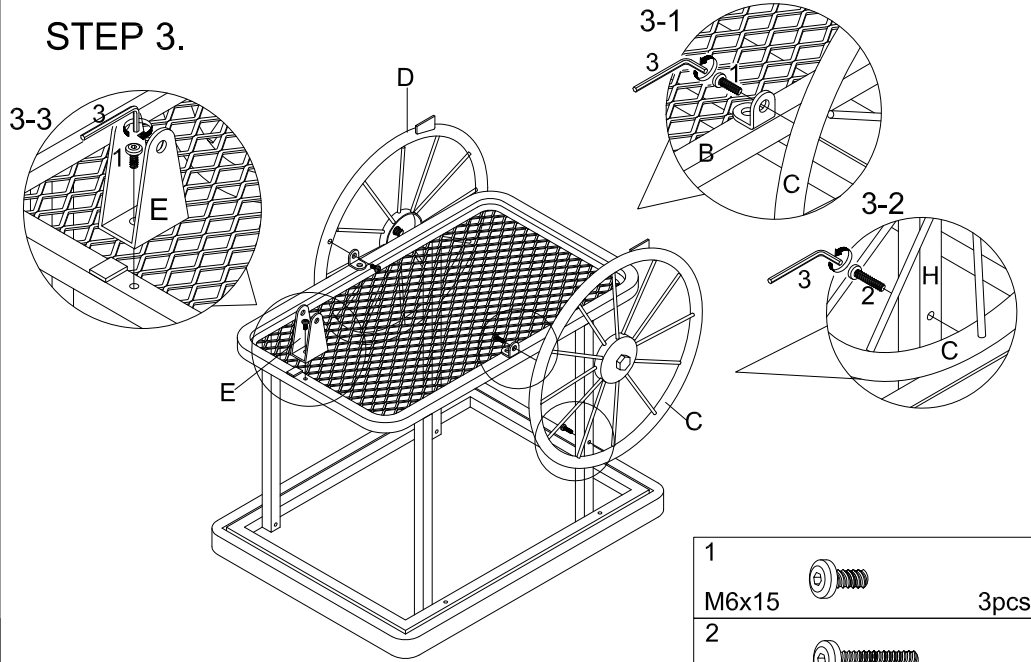
<p>1  3pcs M6x15</p>	<p>2  10pcs M6x35</p>	<p>3  1pc 4x4</p>
<p>4  1pc M8x40</p>	<p>5  1pc</p>	<p>6  1pc 5x5</p>



### STEP 1.



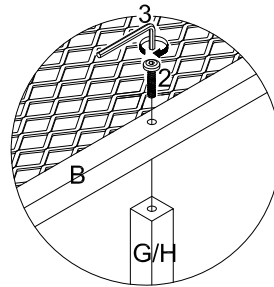
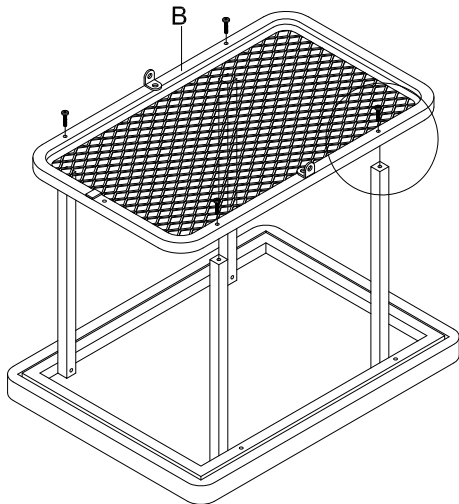
2  
M6x35  4pcs


### STEP 3.



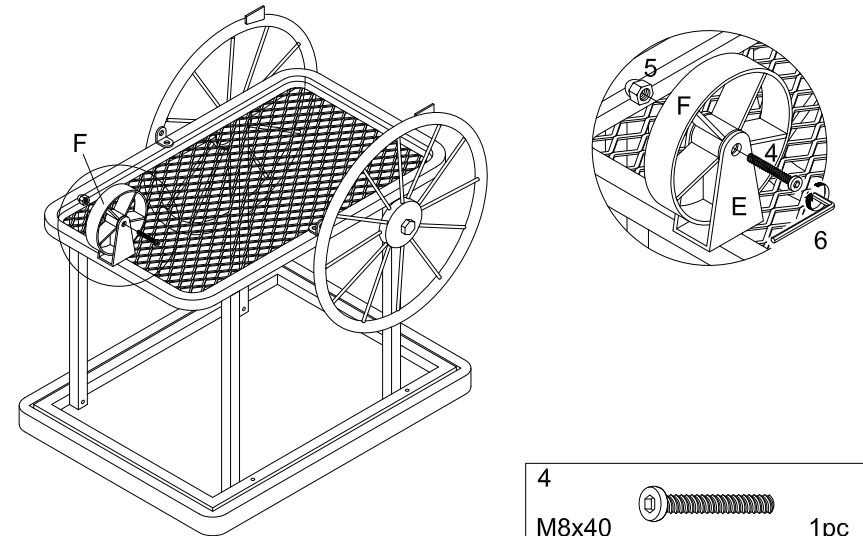
1		M6x15	3pcs
2		M6x35	2pcs



### STEP 2.



2  
M6x35  4pcs

### STEP 4.



4		M8x40	1pc
5			1pc