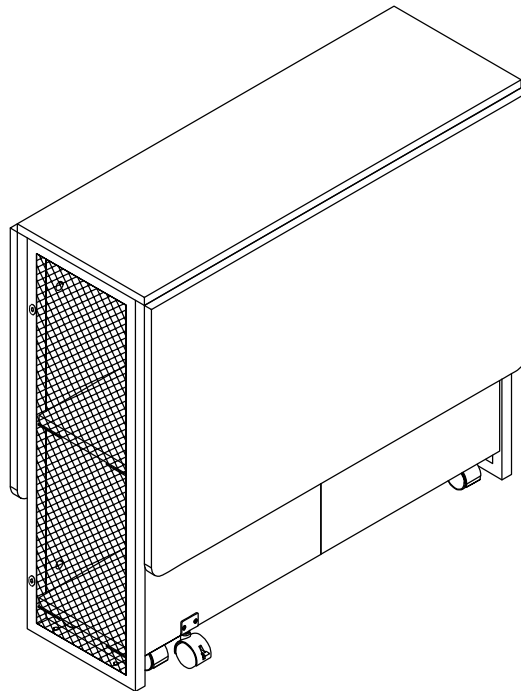


Warning: Be careful not to get your fingers caught when putting down the panel.



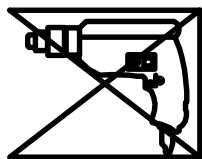
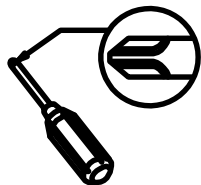
Warning: Pay attention to keep the table stable when moving it

Product Dimensions:
50"L×31.5"D×29.52"H

YOU NEED

1. Tools required

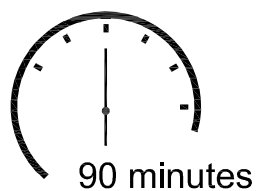
A Phillips head screw driver is required for the assembly of this product. (not included)
Electric tool should not be used to assemble this product.



2. Two people are needed

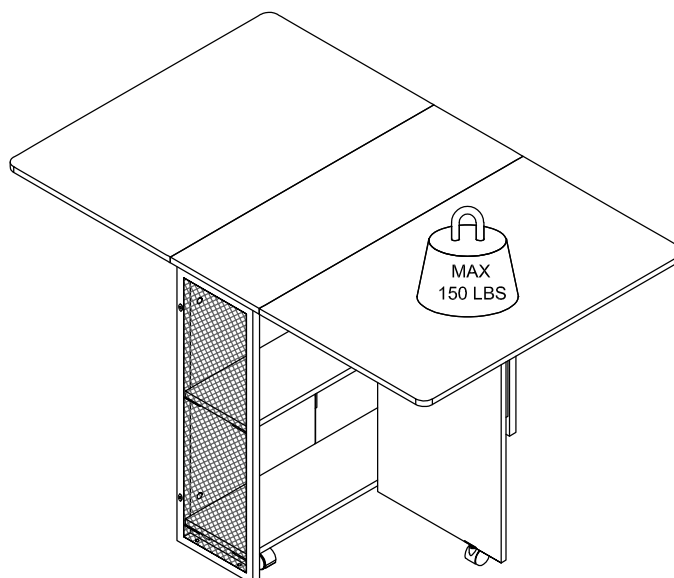


3. Installation takes 60 minutes



4. Technical Specifications

Brand	
Material	
Max weight capacity	150 lbs



Tips!



1. Check all the components & screws are intact before assembling .
2. If you notice any pieces are missing or damaged please do not assemble and contact us immediately .
3. **Please send an email with you order number and issues, we will respond within 24 hours.**

IMPORTANT SAFETY INFORMATION

- Please carefully read the following instructions and caution warnings before assembling the product.
- Following this guide will ensure that you install, use and maintain the product properly.
- Please keep this installation and user manual/instructions for future reference in case you need to disassemble the product.
- Never allow children to climb onto the product. Ensure that you have special safety measures when children are around on their own.
- Be sure to check that all parts of the product are intact after you open the package.
- Do not assemble if you notice serious damage such as cracks or bends.
- During installation, please use work gloves for hand safety.
- Please assemble the unit on carpeted floor or the flat cardboard box to avoid scratching the surface or your floor while assembling on the floor.
- To assemble, please use the complimentary installation tools (Phillips screwdriver). Pay more attention to the direction of components at each steps.
- It is recommended that two people work together to assemble the product.

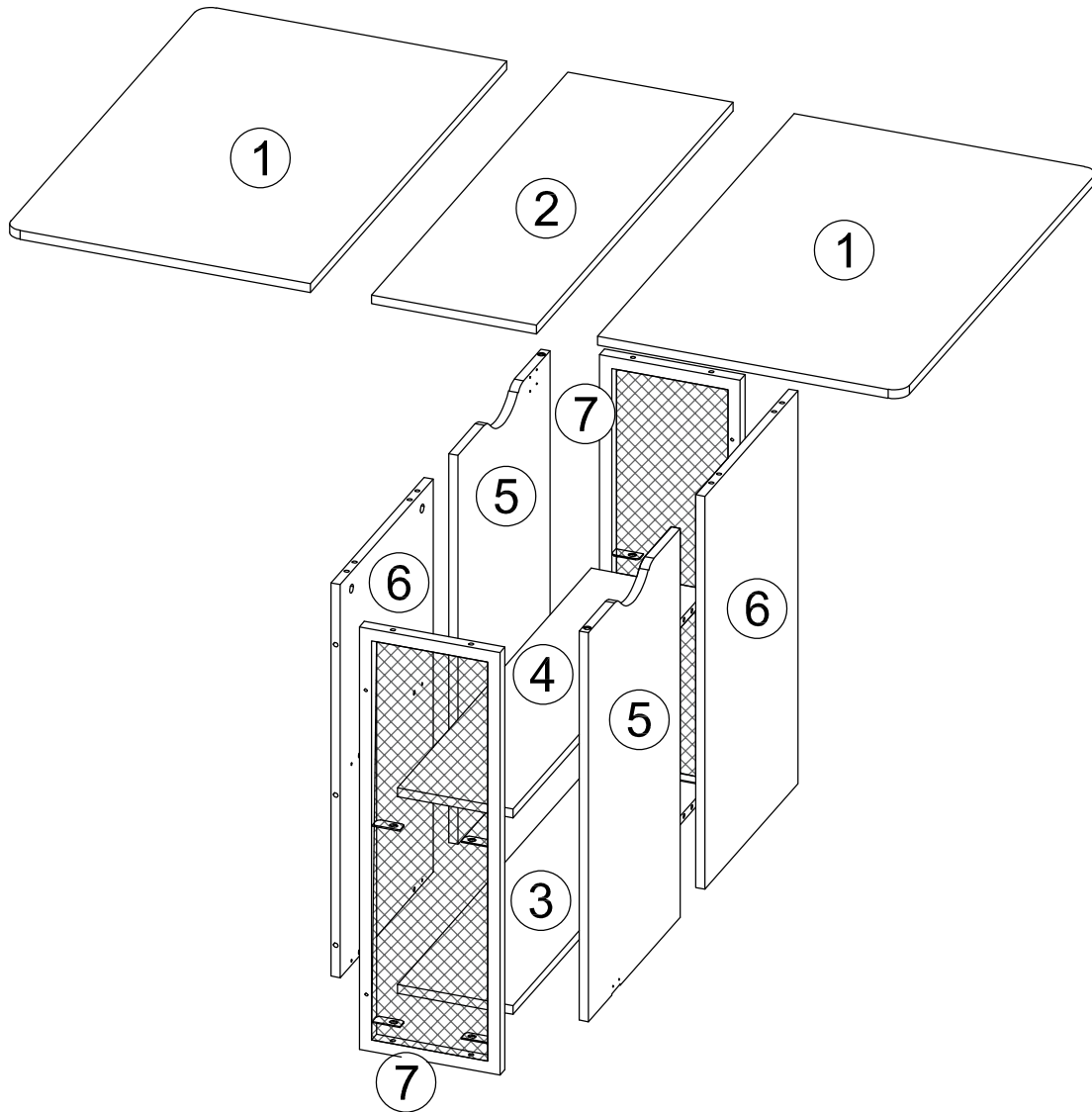
RETURN POLICY

- Please contact us directly within 30 days after receiving.
- Ensure the product is in a good condition with the original box and all original certificates of purchase, manuals, and accessories attached.

HOW TO MAINTAIN YOUR PRODUCT



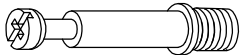

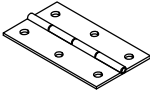
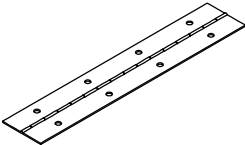

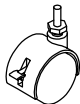


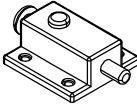

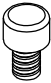

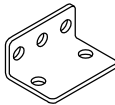
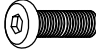



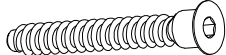
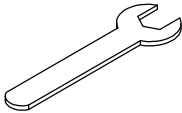
- Check the screws of the product are not loose from regular use.
- Do not use sharp instruments, rubbing alcohol, corrosive chemicals, or abrasive cleaners to clean the item.

Please check that you have all the parts listed below



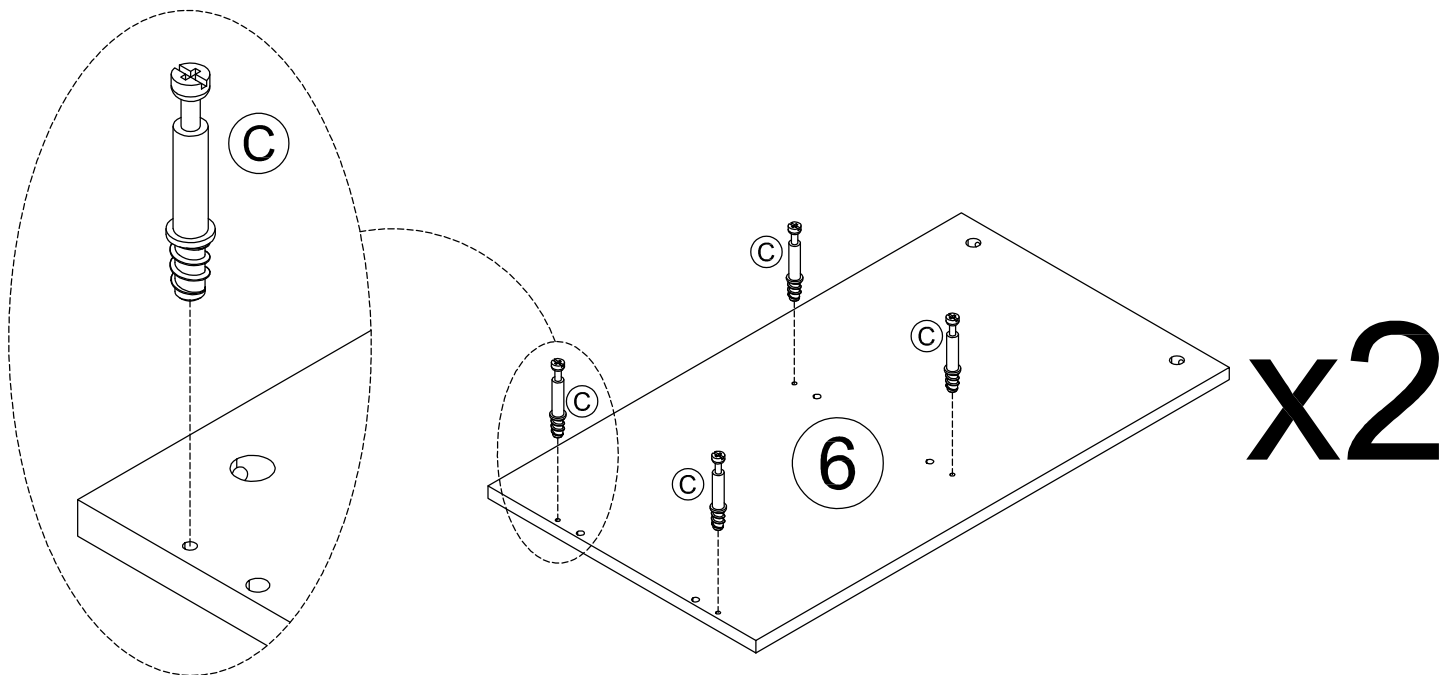
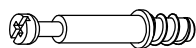
1	Large left panel	X2		5	Movable door panel	X2
2	Small panel	X1		6	Fix the door panel	X2
3	Floor	X1		7	Side plate	X2
4	Laminate	X1				

Please check that you have all the parts listed below

<p>Ⓐ x 12+1pcs</p>  <p>Ø7.8*30mm</p>	<p>Ⓑ x 12+1pcs</p>  <p>Ø15*12mm</p>	<p>Ⓒ x 12+1pcs</p>  <p>Ø6*35mm</p>	<p>Ⓓ x 72+4pcs</p>  <p>Ø7*Ø3.5*14mm</p>
<p>Ⓔ x 4pcs</p>  <p>38*66mm</p>	<p>Ⓕ x 6pcs</p>  <p>38*200mm</p>	<p>Ⓖ x 4pcs</p>  <p>2"</p>	<p>Ⓗ x 2pcs</p>  <p>2"</p>
<p>Ⓙ x 24+2pcs</p>  <p>Ø8*Ø4*14mm</p>	<p>Ⓚ x 2pcs</p>  <p>Ø22*6, M6*10mm</p>	<p>Ⓛ x 2pcs</p>  <p>36*55*15mm</p>	<p>Ⓜ x 8+1pcs</p>  <p>Ø7*Ø3*14mm</p>
<p>Ⓝ x 4+1pcs</p>  <p>Ø10*6.5, Ø6*8.5mm</p>	<p>Ⓟ x 2pcs</p> 	<p>Ⓠ x 2pcs</p> 	<p>Ⓡ x 8+1pcs</p>  <p>M6*12mm</p>
<p>Ⓢ x 4+1pcs</p>  <p>M6*30mm</p>	<p>Ⓣ x 1pc</p>  <p>M4</p>	<p>Ⓤ x 1pc</p> 	<p>Ⓡ x 4+1pcs</p>  <p>Ø7*48mm</p>
<p>Ⓡ x 1pc</p> 			

1

(C) x 8pcs

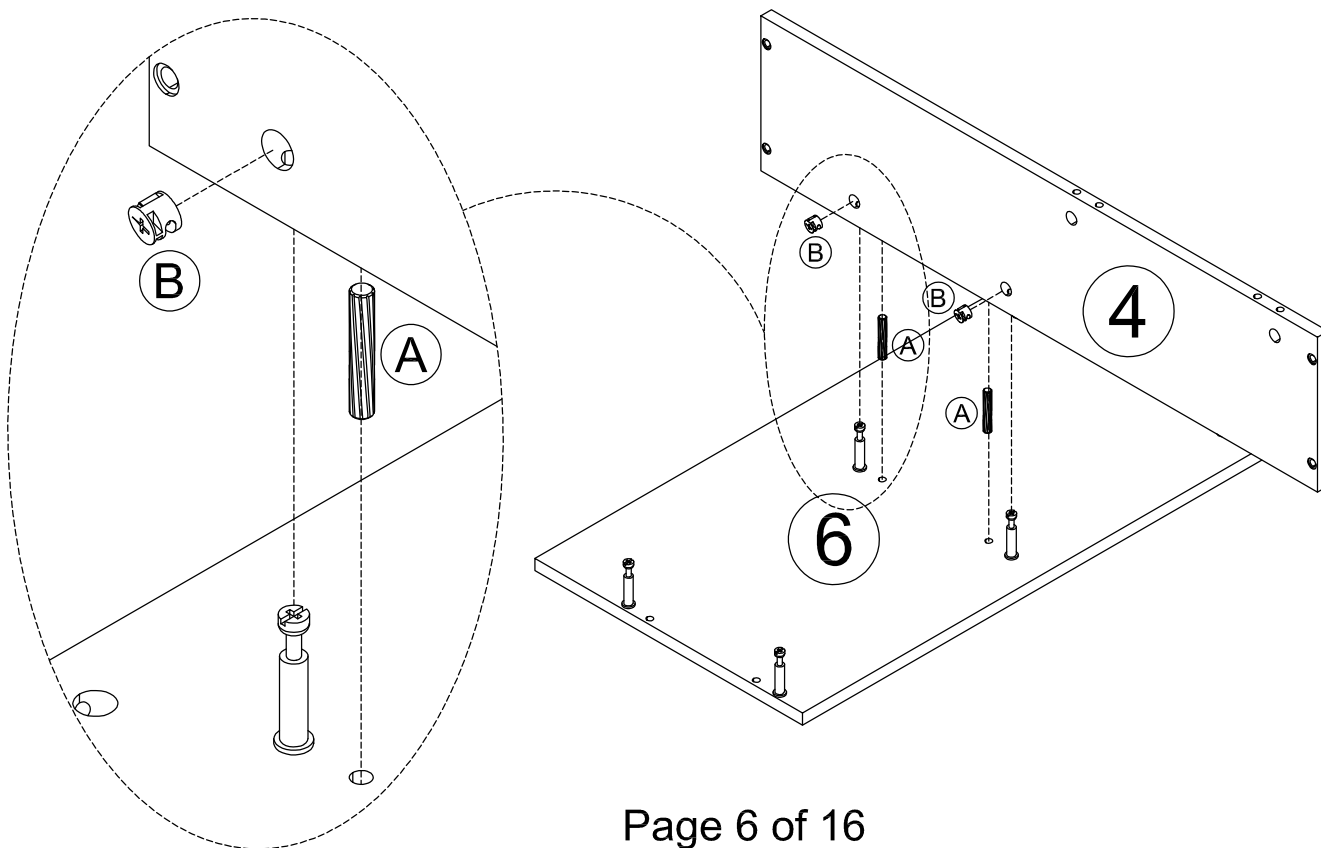
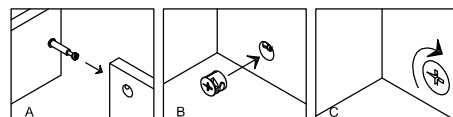


2

(A) x 2pcs



(B) x 2pcs

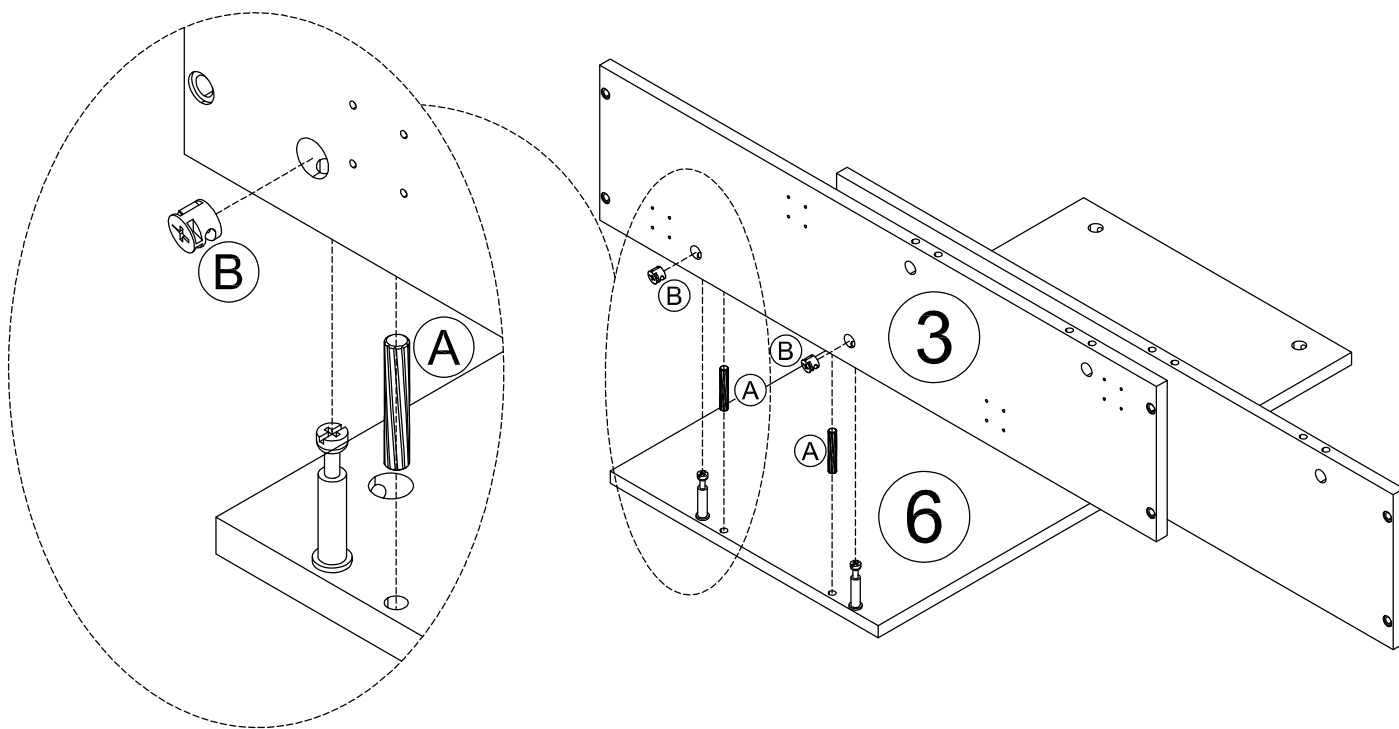
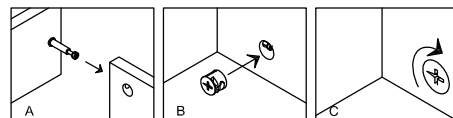


3

(A) x 2pcs



(B) x 2pcs

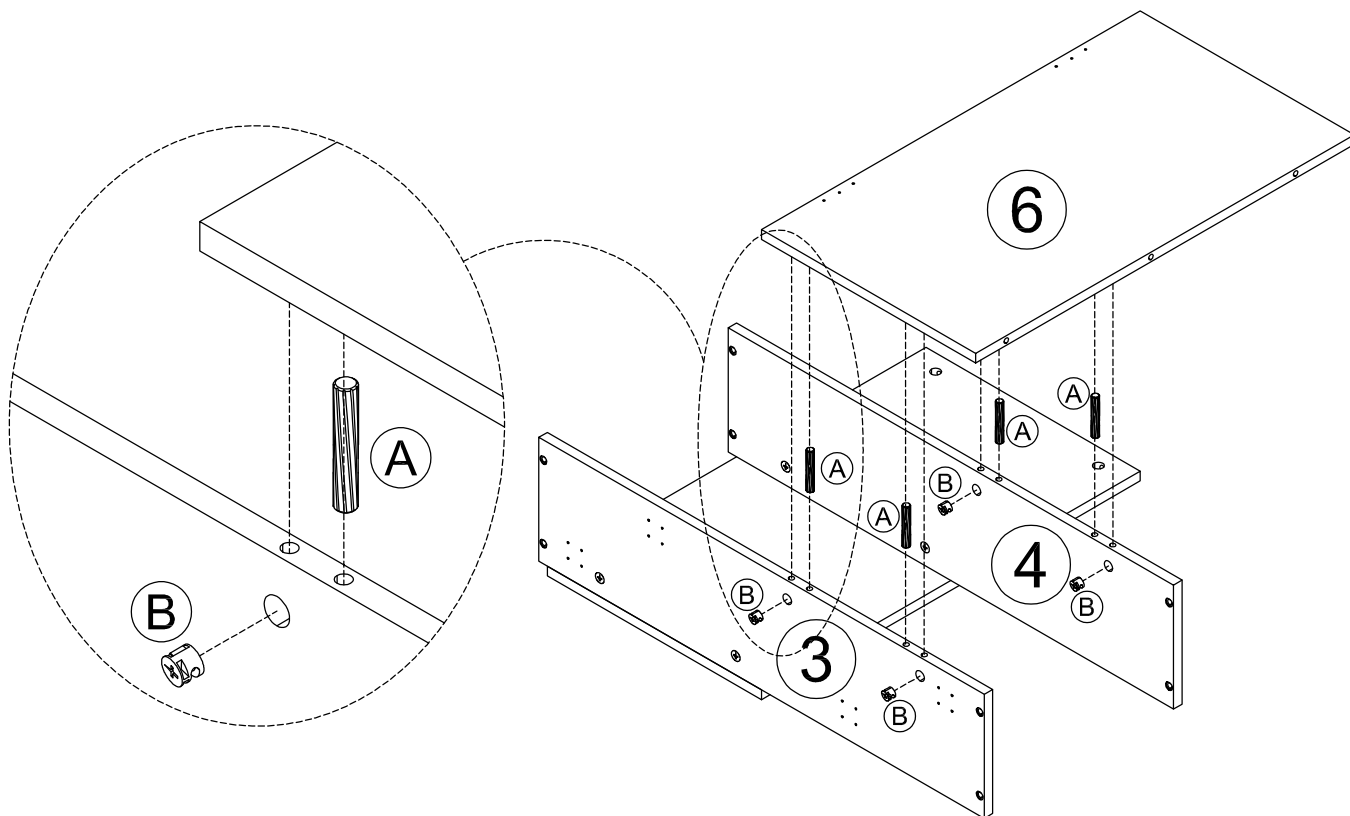
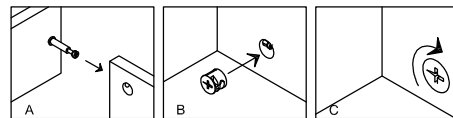


4

(A) x 4pcs

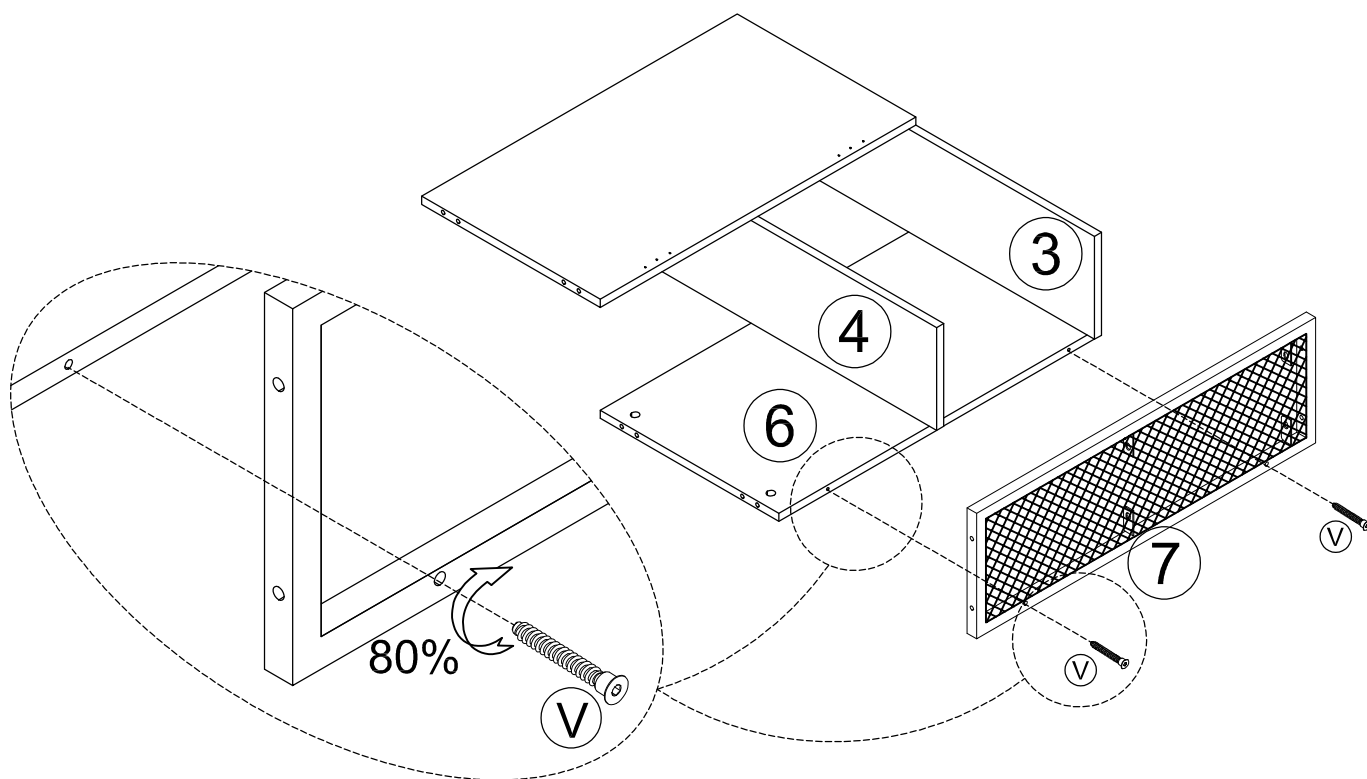


(B) x 4pcs



5

(V) x 2pcs

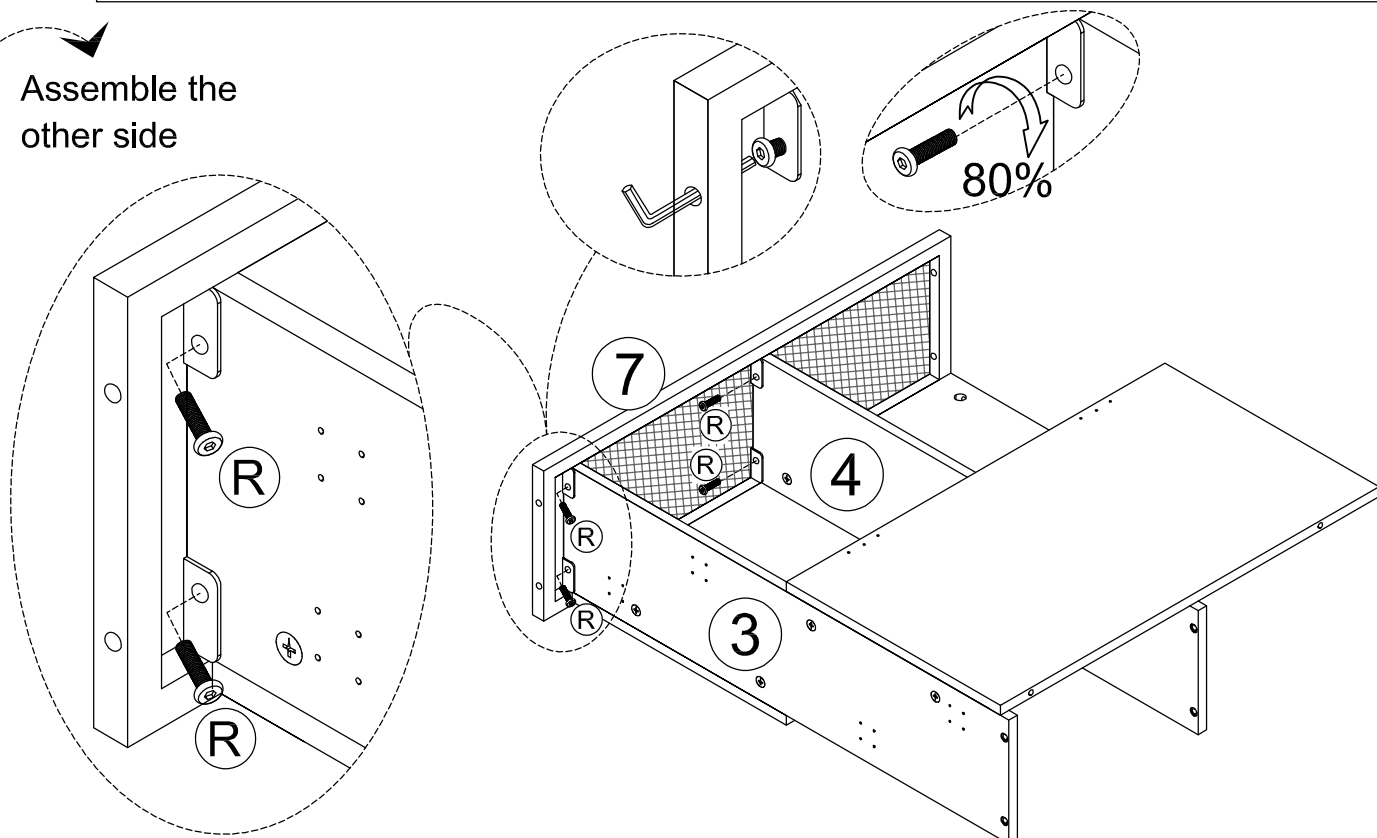


6

(R) x 4pcs

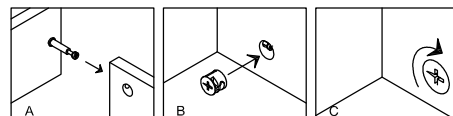


Assemble the other side

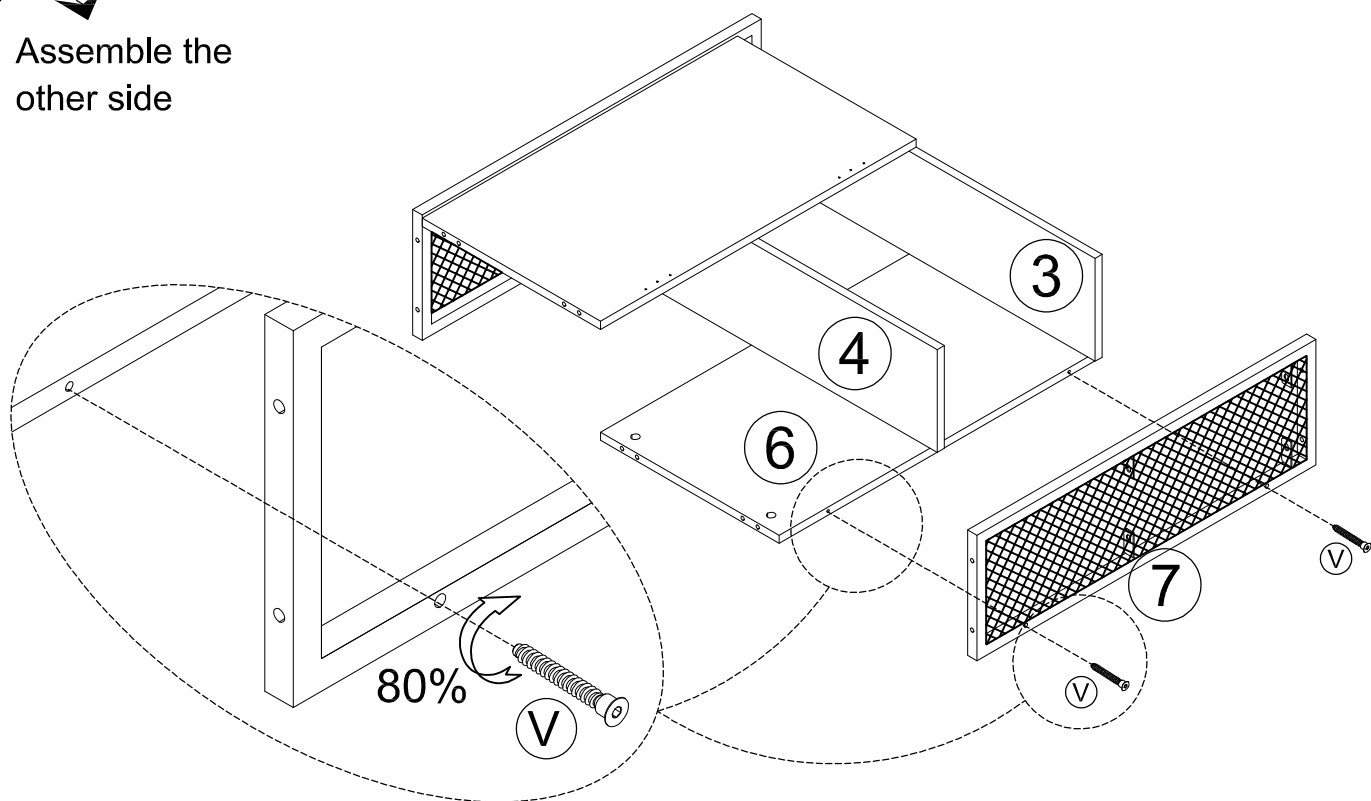


7

(V) x 2pcs



Assemble the other side

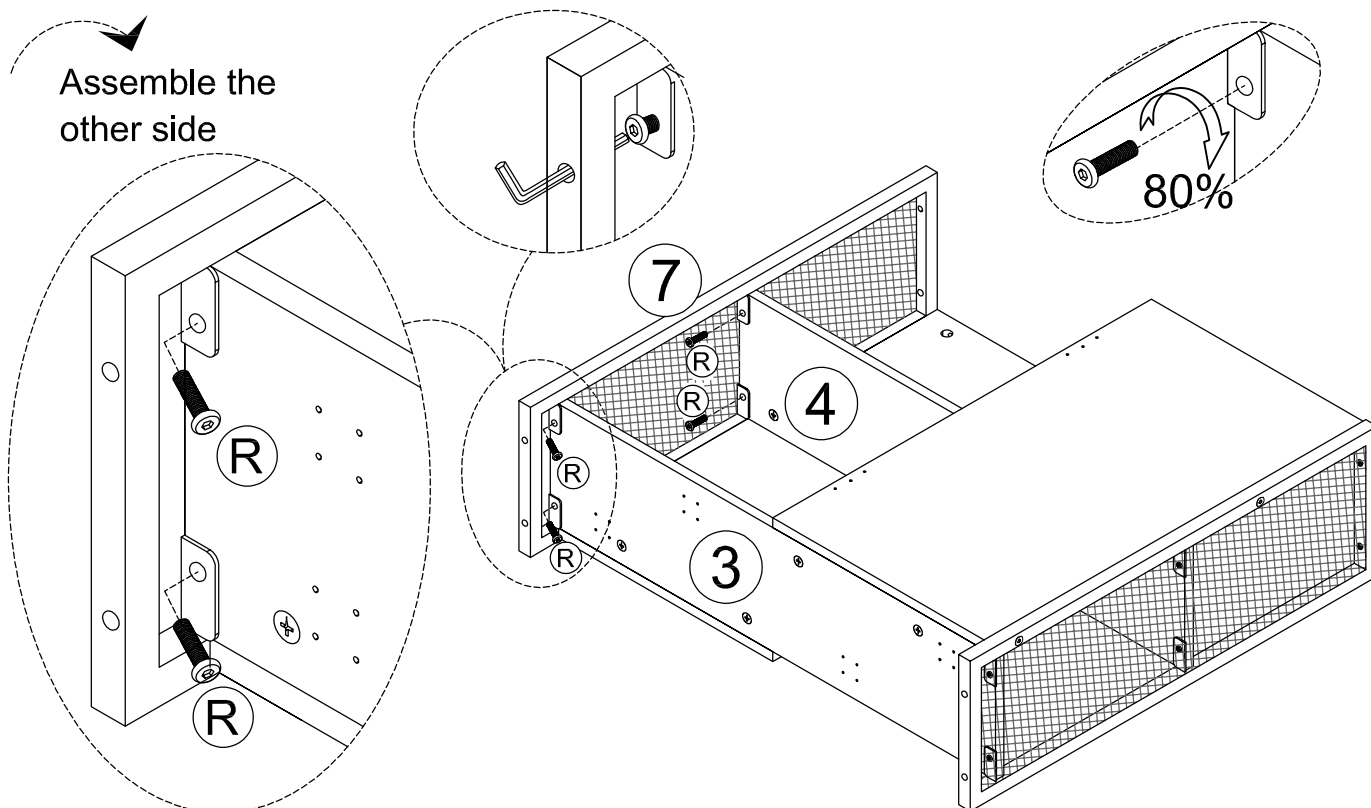


8

(R) x 4pcs

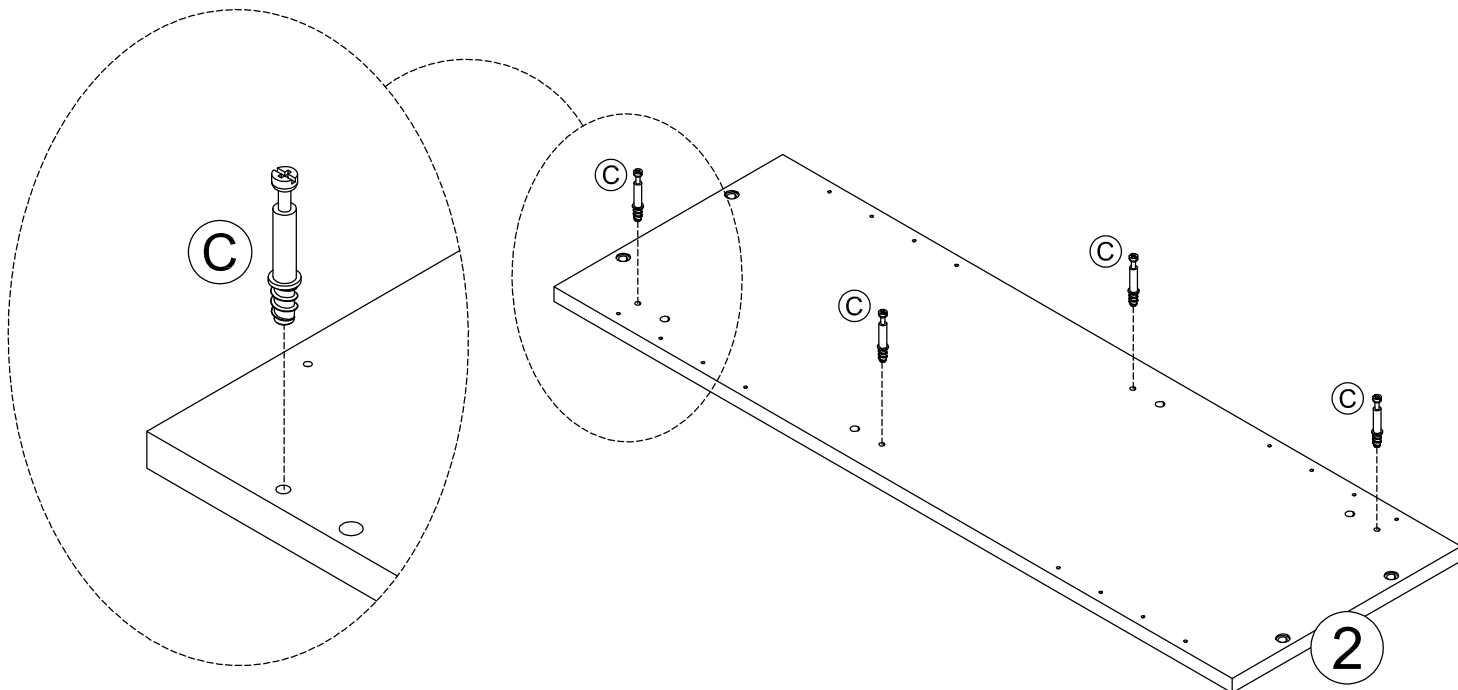
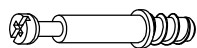


Assemble the other side



9

(C) x 4pcs

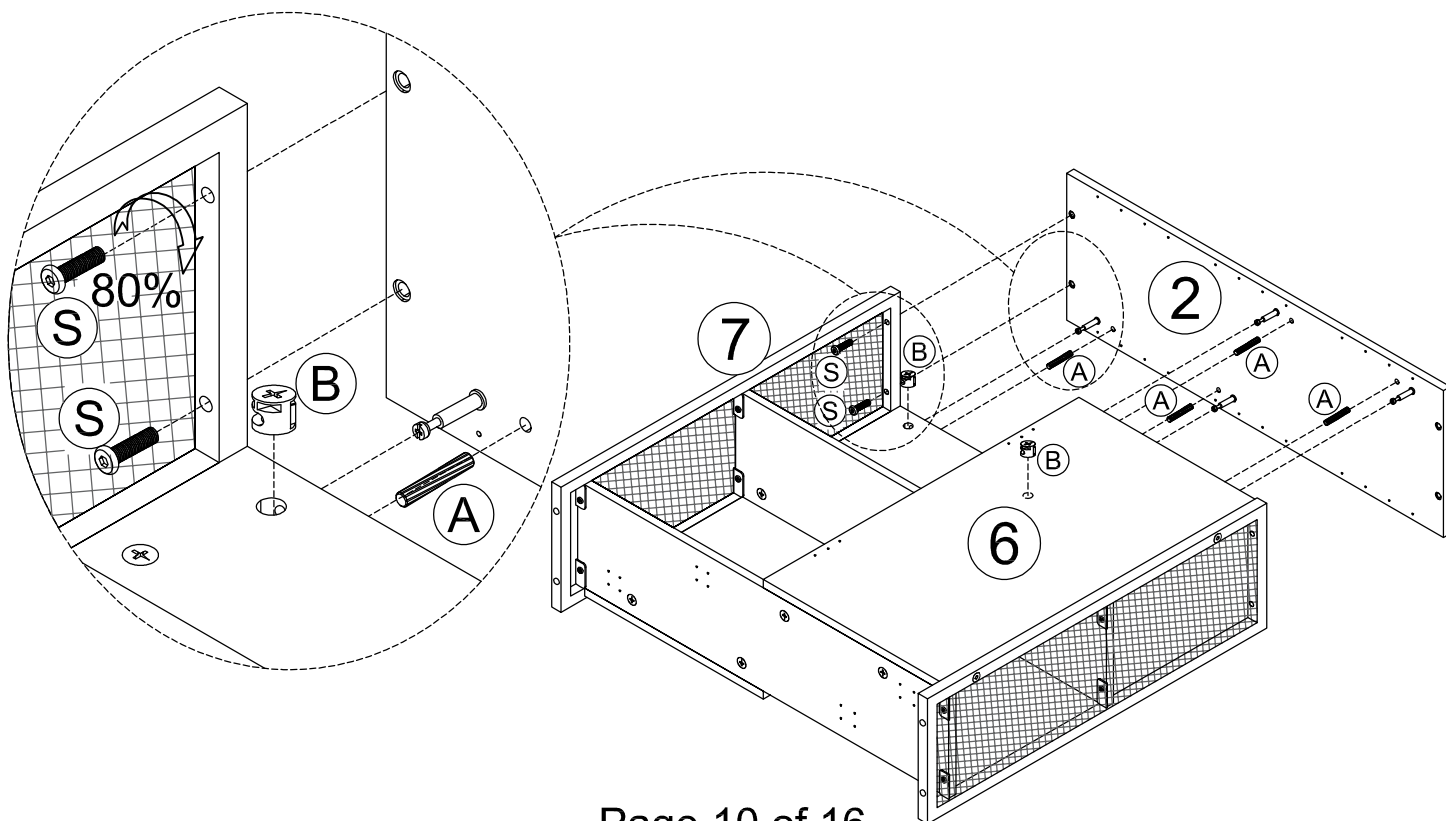
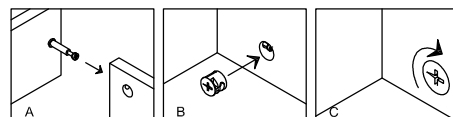


10

(A) x 4pcs

(B) x 2pcs

(S) x 2pcs

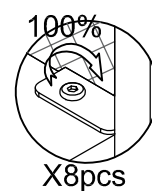
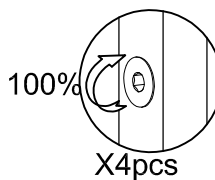
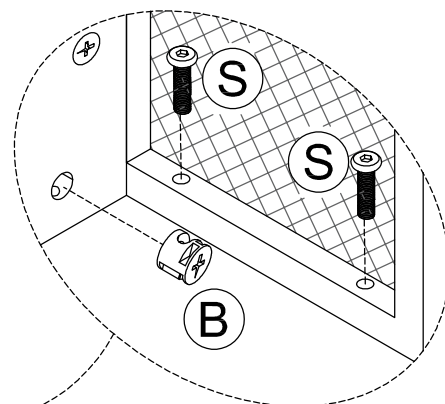
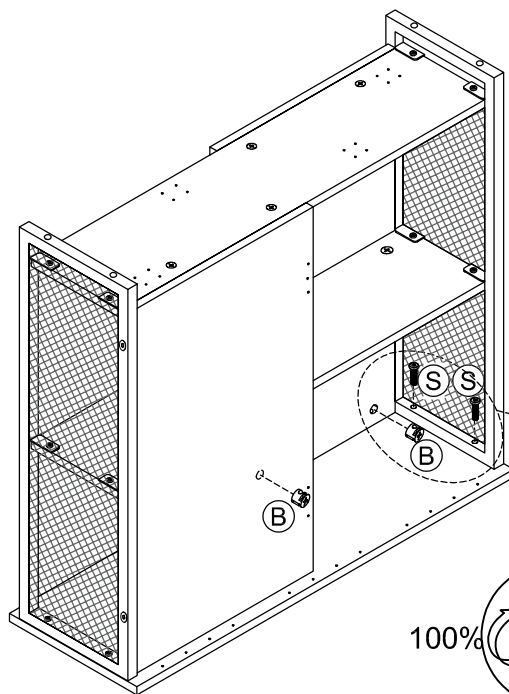
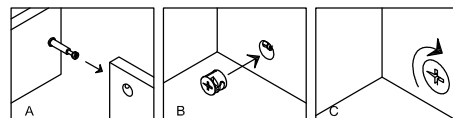


11

(B) x 2pcs

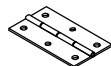


(S) x 2pcs



12

(E) x 4pcs



(D) x 12pcs



(L) x 2pcs



(M) x 8pcs



(K) x 2pcs



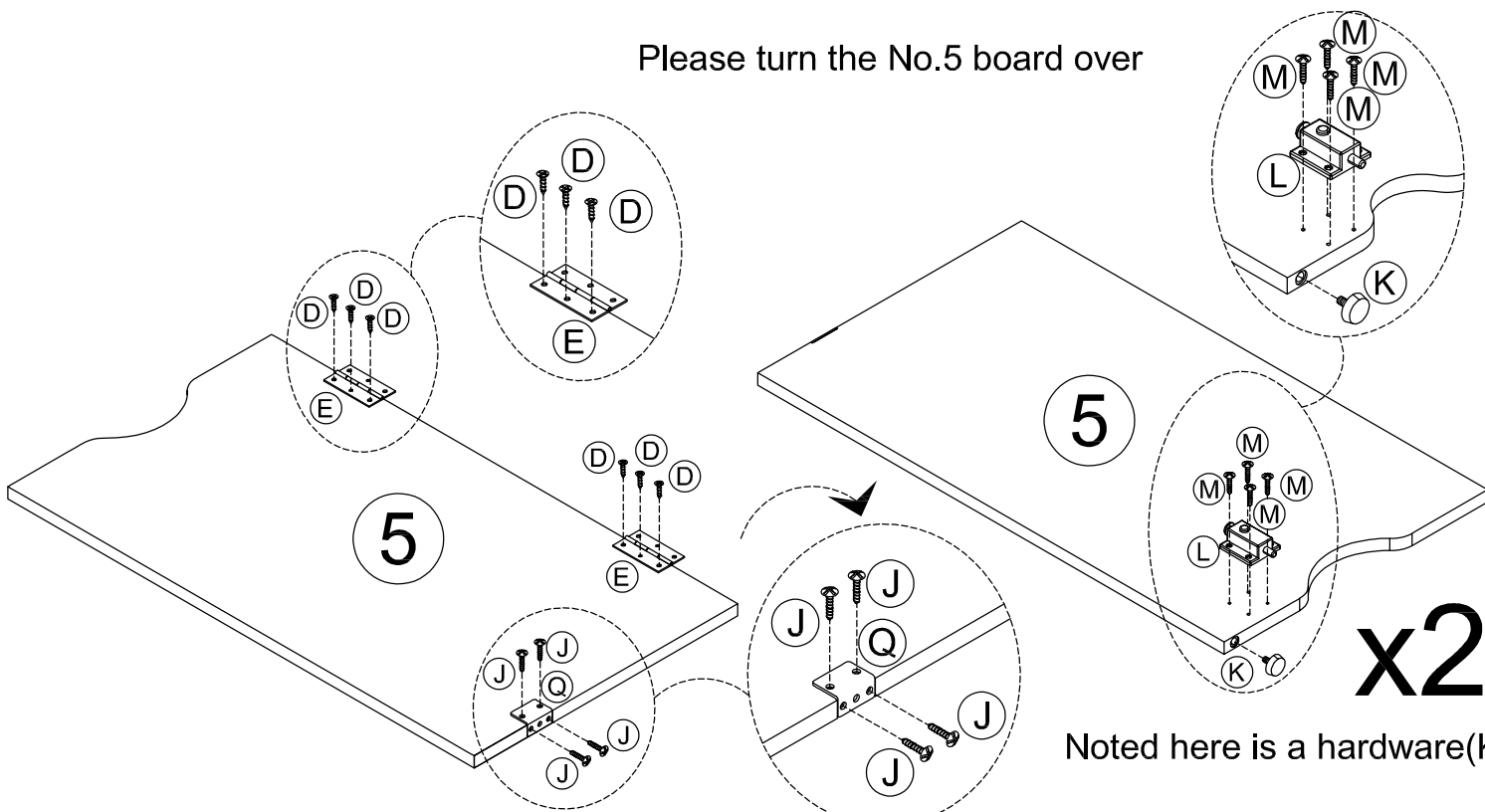
(Q) x 2pcs



(J) x 8pcs



Please turn the No.5 board over

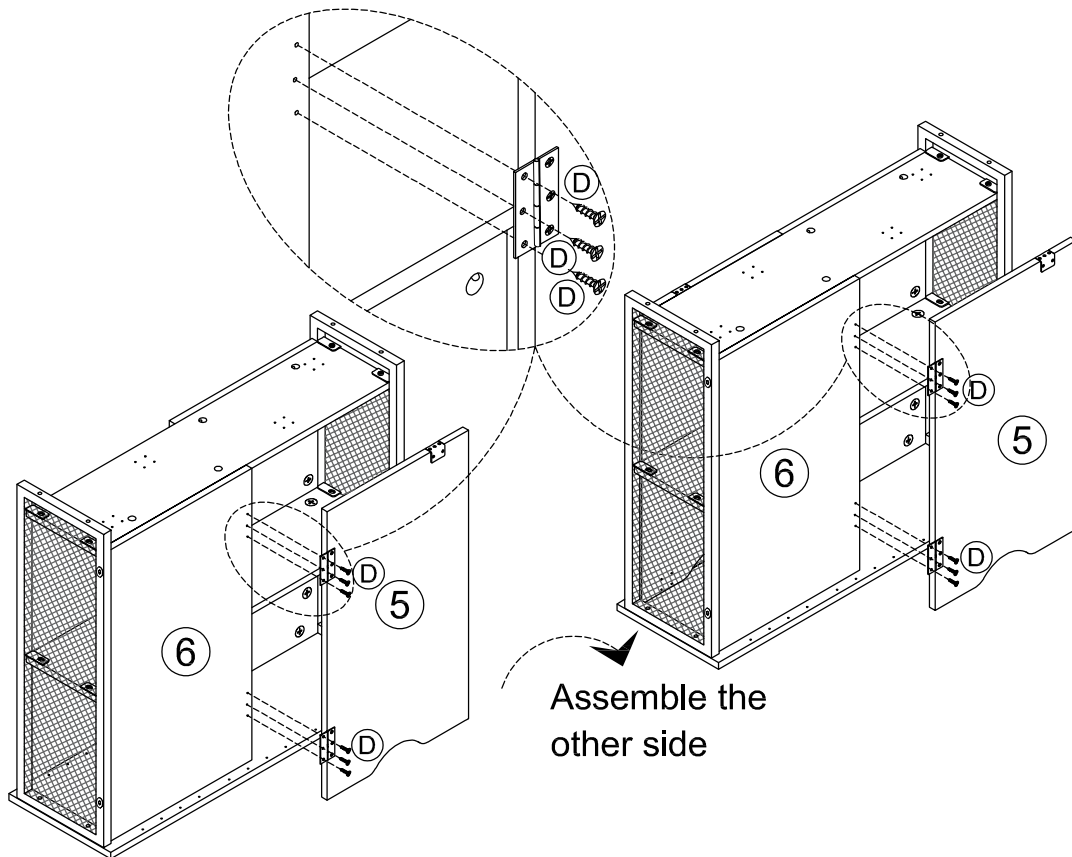


x2

Noted here is a hardware(K)

13

ⓓ x 12pcs

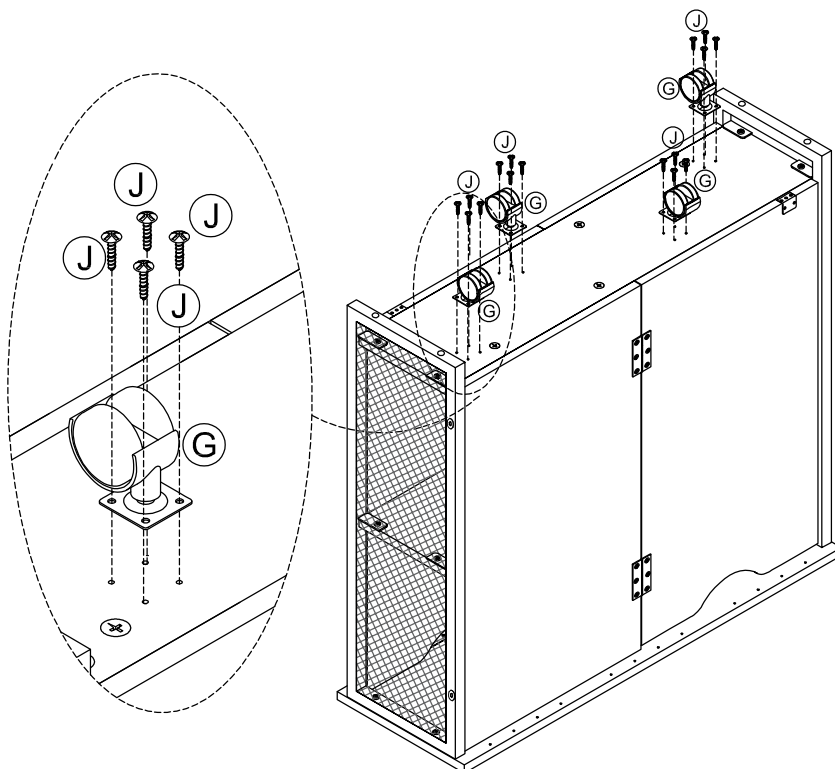


14

ⓐ x 16pcs



ⓐ x 4pcs

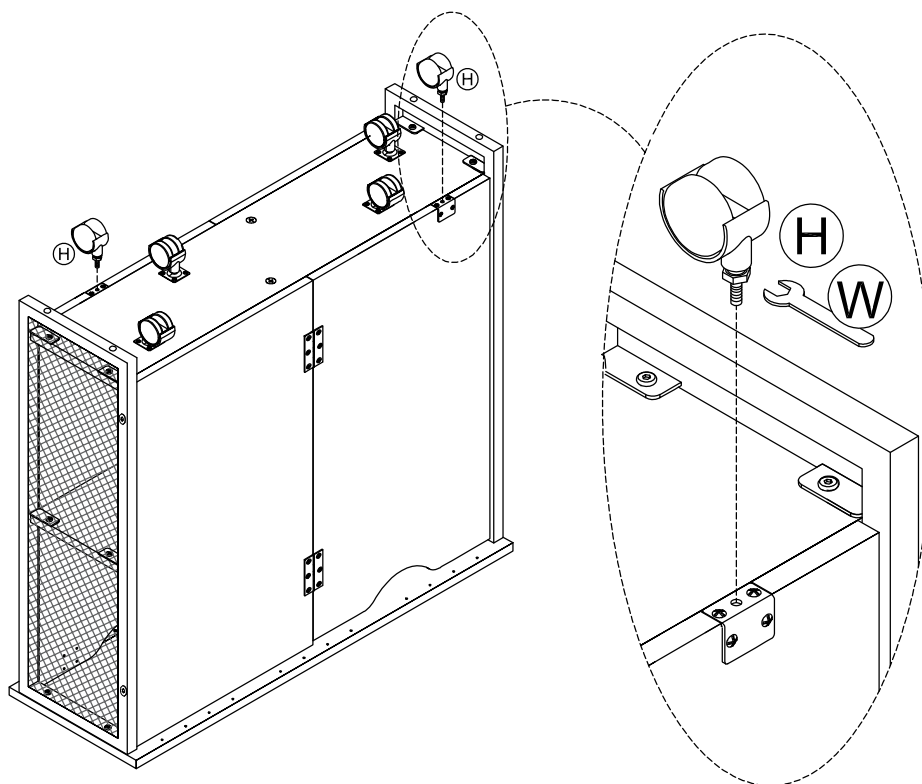
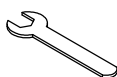


15

(H) x 2pcs



(W) x 1pc



16

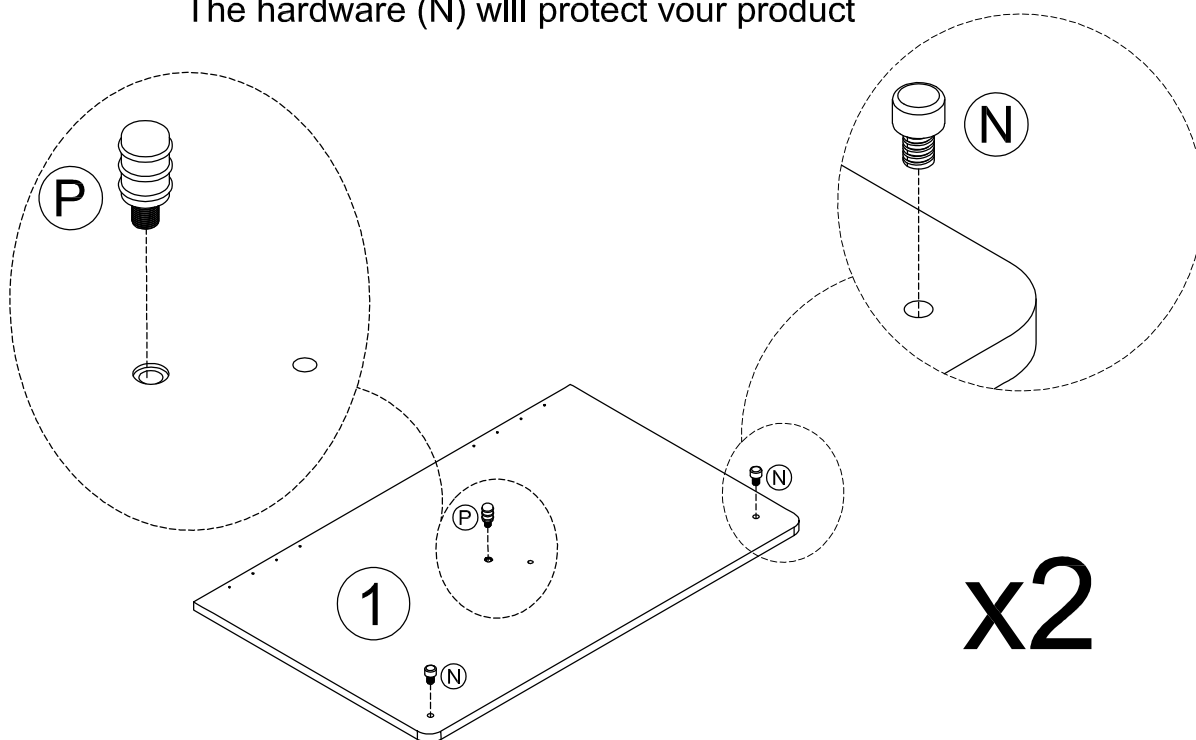
(P) x 2pcs



(N) x 4pcs



The hardware (N) will protect your product

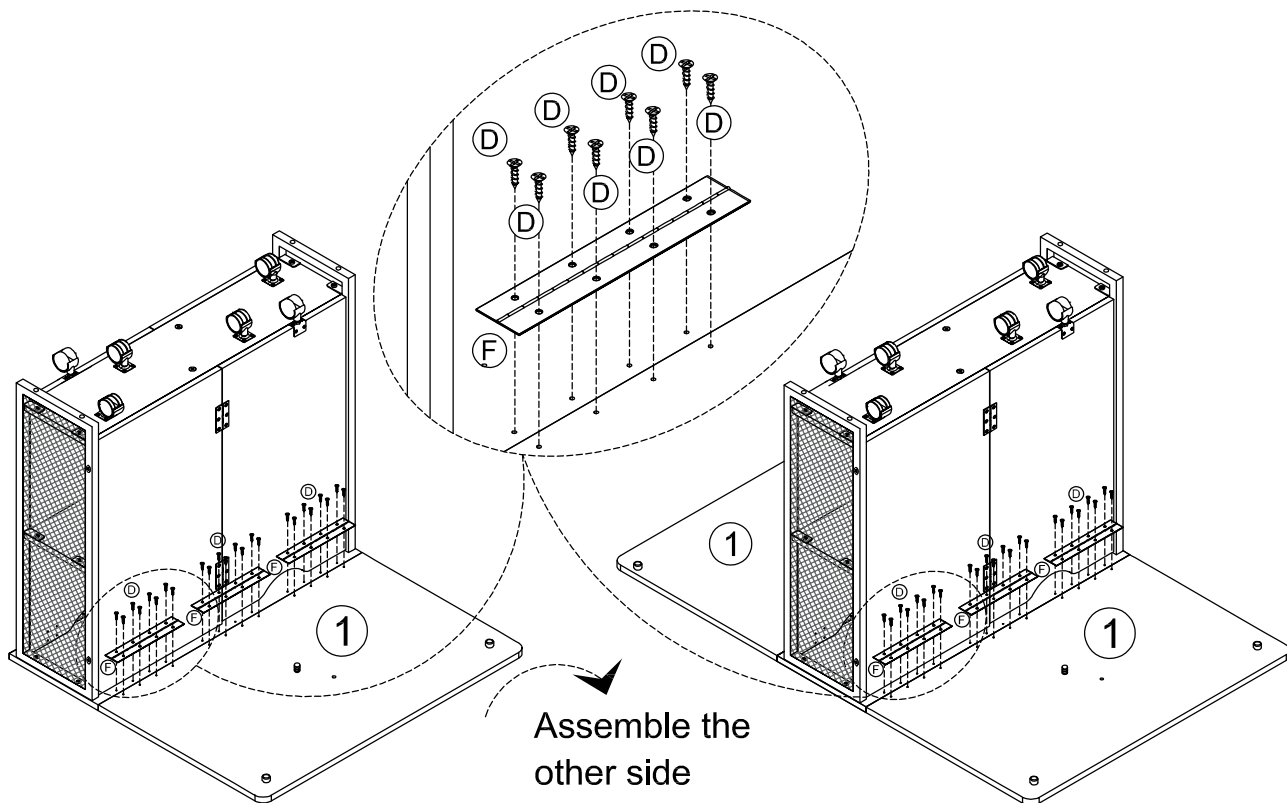
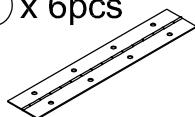


17

ⓓ x 48pcs

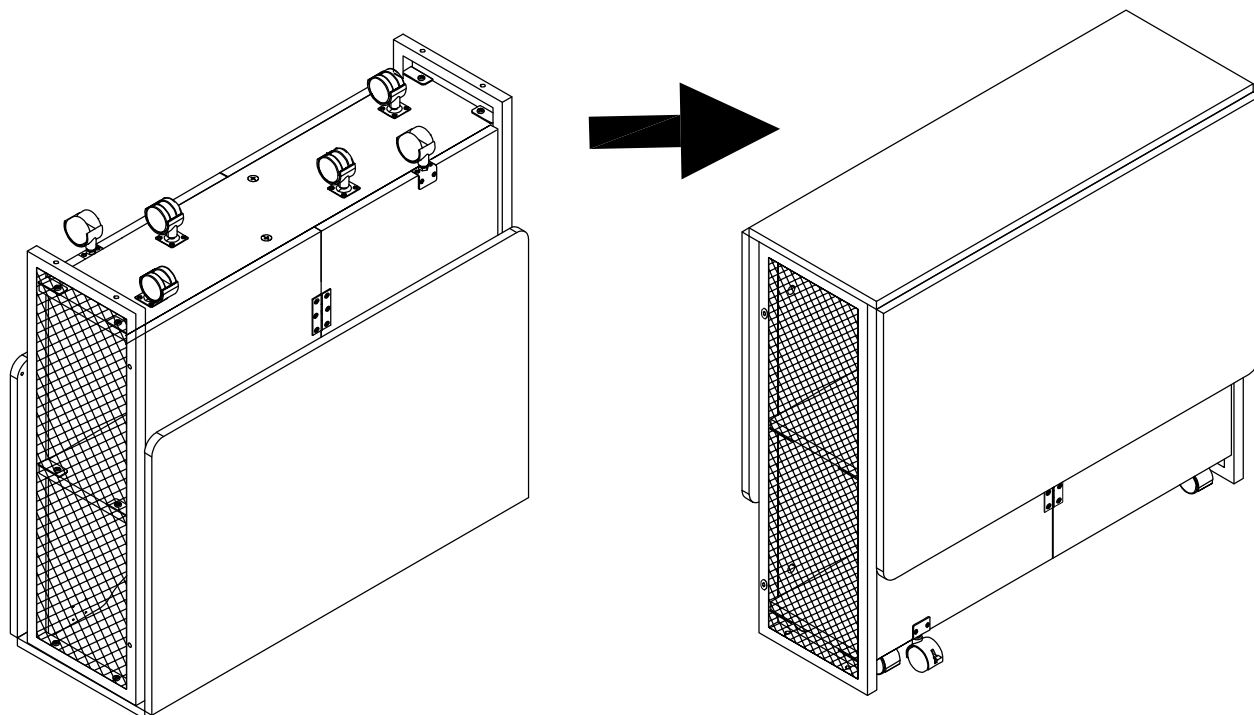


ⓕ x 6pcs



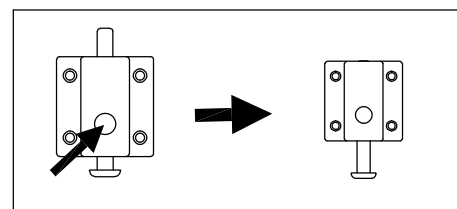
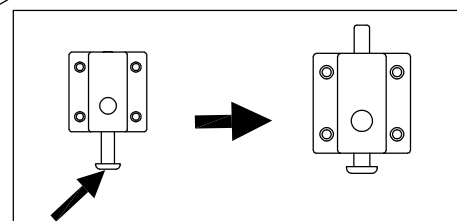
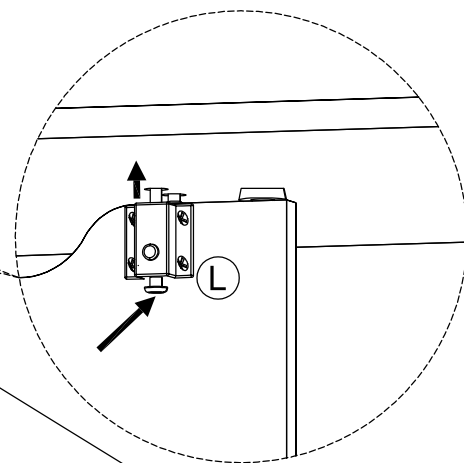
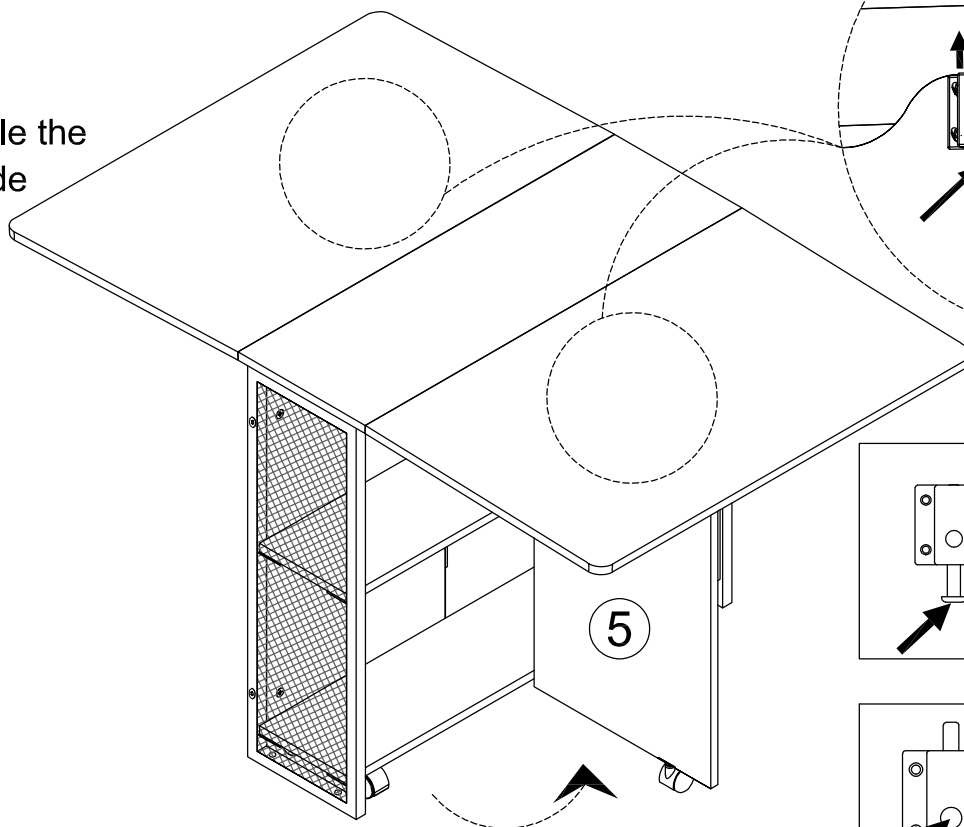
18

Warning: Please fold both two panels well, and keep the product was folded, then set the table up.



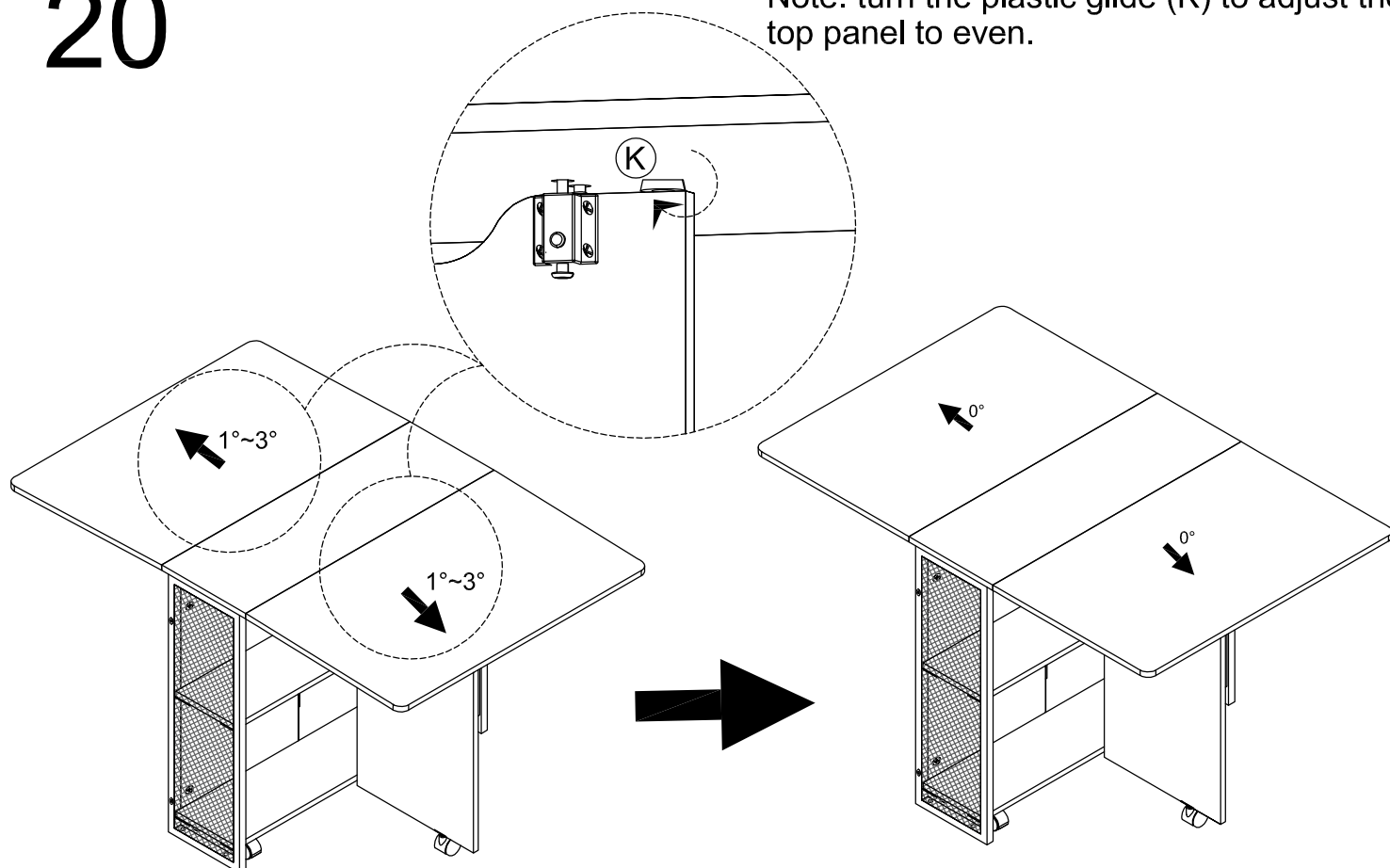
19

Assemble the other side



20

Note: turn the plastic glide (K) to adjust the top panel to even.



21

