

INSTRUCTION MANUAL

13 FT x 15 FT Wood Gazebo

Series A35

IF YOU PURCHASED THE GAZEBO ONLINE AND HAVE ANY
QUESTIONS OR CONCERNS
PLEASE CONTACT US WITH EMAIL OR TEXT

Email: Hiwarrantyservice@outlook.com

Text: +1 628 263 4608

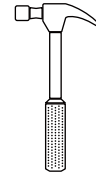
Note: The gazebo needs to be installed in cooperation with five people. The following tools are not included and needed for assembly:



Pistol Drill



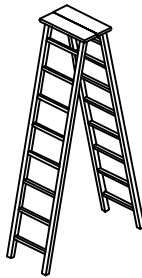
Tape Measure



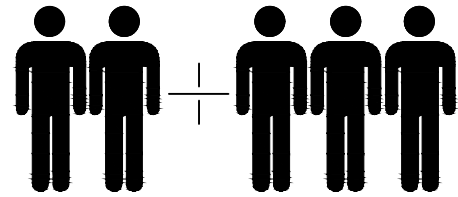
Hammer



Screw Driver



2 m Adjustable Ladder



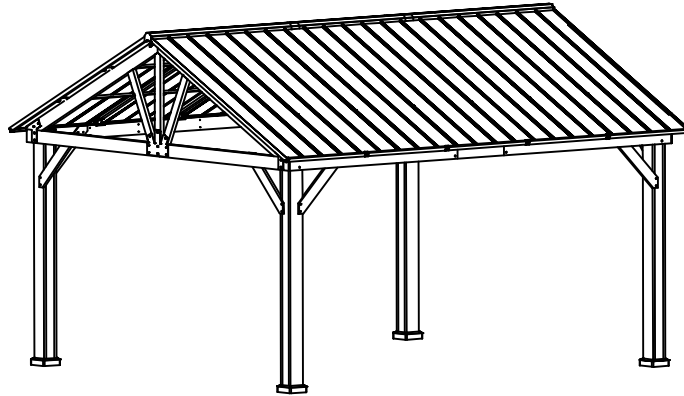
5 people

Warning

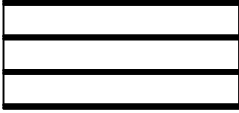
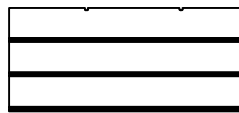
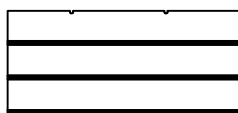
1. A 5 person assembly is required for this gazebo.
2. Please take appropriate actions as heavy rain, wind and snow can damage the gazebo. If necessary please dis-assemble and store for later use.
3. In snowy conditions, please do not allow the thickness of the snow to be more than 1.97 inch on the roof, this should be cleared as soon as possible for your safety. When the wind speed reaches 61.2km/h, please take measures to avoid the wind.
4. Care the wooden structure of the gazebo like painting with anticorrosive paint every two months or dry the wooden parts and then paint when it is in rainy season, which can let the gazebo service longer.

Attention:















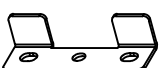
1. Please fix all the screws first,do not lock off,after assembling is fully completed,lock all at once finally.
2. Please check the manual carefully and make sure you have received all the parts.
3. If there is any missing,please let us know the letter of the parts you need.
4. If there is any damage,please send clear photos to us,we will check and offer you best solution soon.

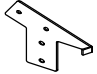










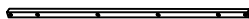





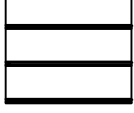
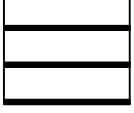
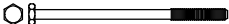

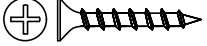

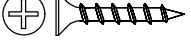


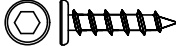
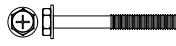






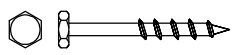




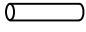






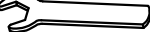
Parts List (Box A)

P6 	P9 	P10 		
Big Roof Cover Mid.	Big Roof Cover Rig.	Big Roof Cover Left		
10 pcs	2 pcs	2 pcs		

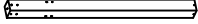
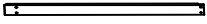
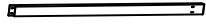


Parts List (Box B)

M3 	M4 	H3 	D 	U1 
Right Roof Side Tube 1	Left Roof Side Tube 2	Big Roof Middle Beam	Top beam supportor	Roof Side Cover
2 pcs	2 pcs	8 pcs	4 pcs	4 pcs
F3 	F5 	R4 	R5 	L1 
Big Roof Beam 1	Middle beam of large top	Big Roof Cover 1	Big Roof Cover 2	Middle Roof Lower Tube 1
2 pcs	1 pc	2 pcs	1 pc	6 pcs
L2 	C4 	I 	O 	W3 
Side Roof Lower Tube 2	Triangular Connector	Middle Beam Lower Connector	Small Beam Presser	
4 pcs	2 pcs	8 pcs	4 pcs	16 pcs

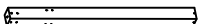

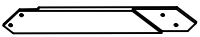
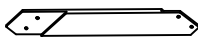

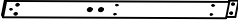

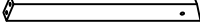
C1  Triangular Connector 1 2 pcs	C2  Triangular Connector 2 2 pcs	J1  Middle Closure Plate 8 pcs	J2  Right Closure Plate 2 pcs	J3  Light Closure Plate 2 pcs
A  Spacer 40 pcs	E  Robber Gasket 52 pcs			
Parts List (Box C)				
N1  Big Roof Small Beam 1 6 pcs	N5  Big Roof Small Beam 5 4 pcs	N7  Big Roof Small Beam 7 4 pcs	N8  Big Roof Small Beam 8 4 pcs	N9  Big Roof Small Beam 9 2 pcs
B  Base Cover 4 pcs	C  Base 4 pcs	G2  Roof Beam Connector 2 pcs	T  Catch 2 pcs	
P7  Small Roof Cover Middle 10 pcs	P11  Small Roof Cover Right 2 pcs	P12  Small Roof Cover Left 2 pcs		
AA  Bolt M10*205 8 pcs	BB  Flat Washer M6 56 pcs	CC  Screw M5*40 80 pcs	DD  Nut M6 56 pcs	EE  Screw M5*30 80 pcs
FF  Bolt M6*15 142 pcs	HH  Bolt M8*35 16 pcs	II  Bolt M8*35 16 pcs	JJ  Bolt M6*55 16 pcs	KK  Bolt M8*25 28 pcs

LL  Non-slip Nuts M10	MM  Flat Washer M8	NN  Flat Washer M10	OO  Screw M10*80	PP  Stake Φ8*180
8 pcs	30 pcs	24 pcs	8 pcs	8 pcs
RR  M3 Drill	SS  Bolt M6*45	UU  Non-slip nuts M8	S  Steel Pin Φ8*55	WW  Bolt M8*50
2 pcs	40 pcs	14 pcs	12 pcs	14 pcs
YY  Wrench M6	ZZ  Hook	Z1  Wrench M8	Z2  Allen Key M8	Z3  Wrench M10
8 pcs	2 pcs	2 pcs	1 pc	2 pcs
Z4  Wrench M10				
2 pcs				

Parts List (Box D)

08  Post	01  Outer Long Left Beam (Short)	02  Outer Long Right Beam (Short)	05  Inner Middle Beam	07  Beam of internal short side
2 pcs	6 pcs	2 pcs	4 pcs	4 pcs

Parts List (Box E)

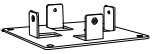
08  Post	21  Triangular Support Beam	10  Arc Support 1	11  Arc Support 2	16  Middle beam of external long side
2 pcs	4 pcs	4 pcs	4 pcs	2 pcs
18  Beam of internal long side	22  Triangular Middle Support Beam	23  Triangular Frame Slanting Beam		
4 pcs	2 pcs	4 pcs		



08 4x

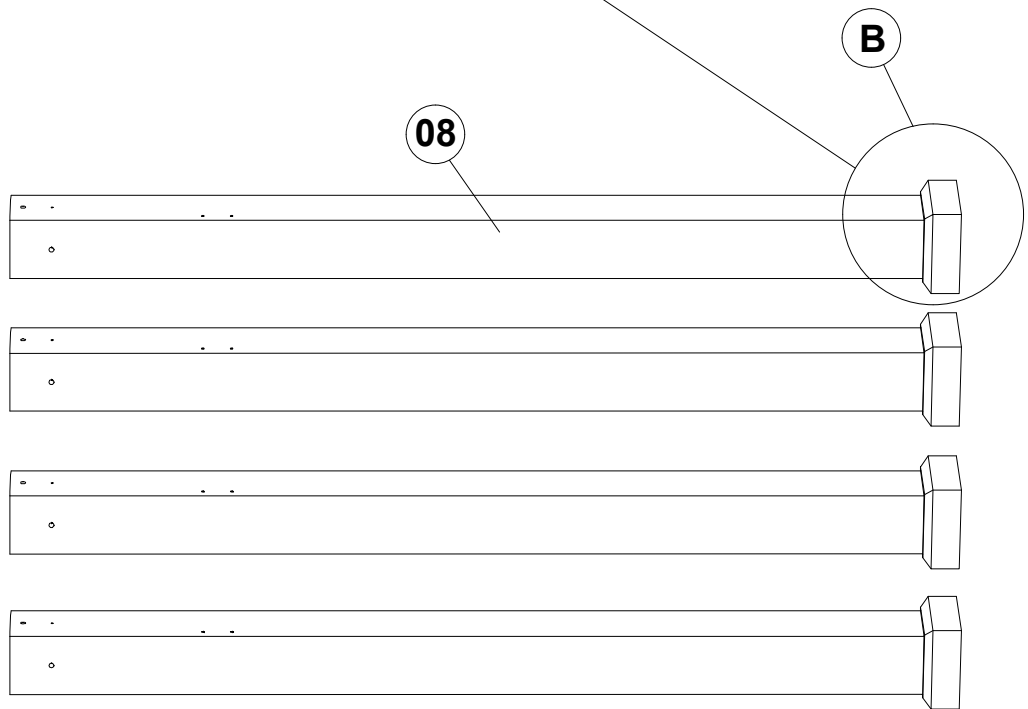
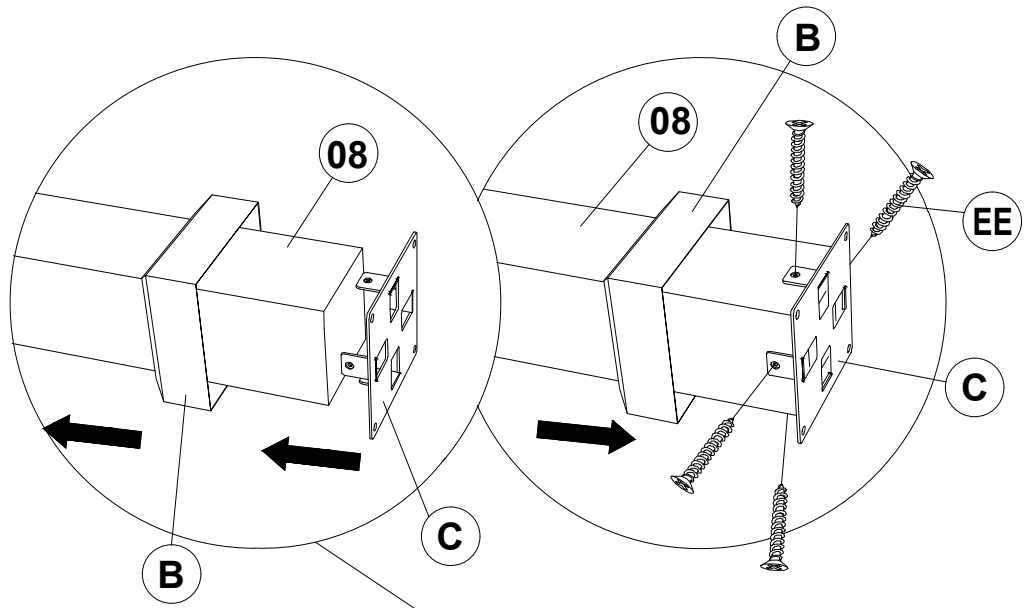


B 4x



C 4x

<1>



6



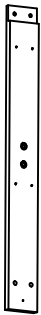
EE 16x

M5*30

<2>



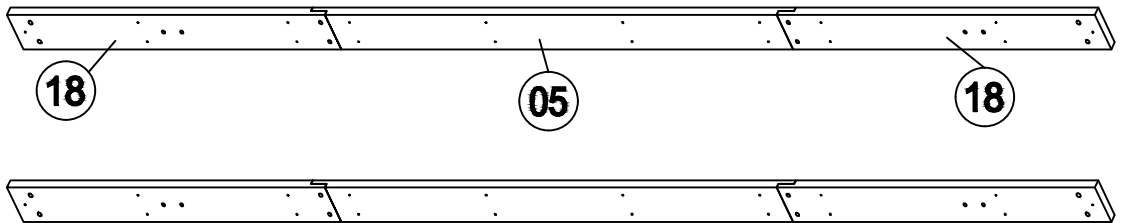
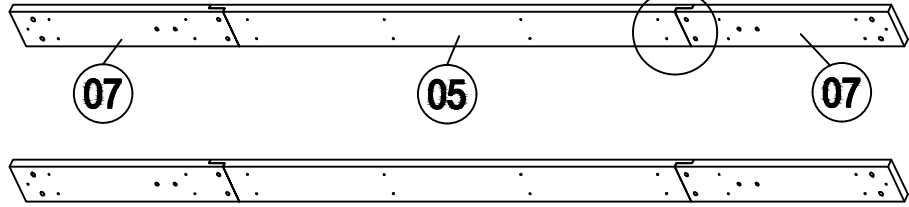
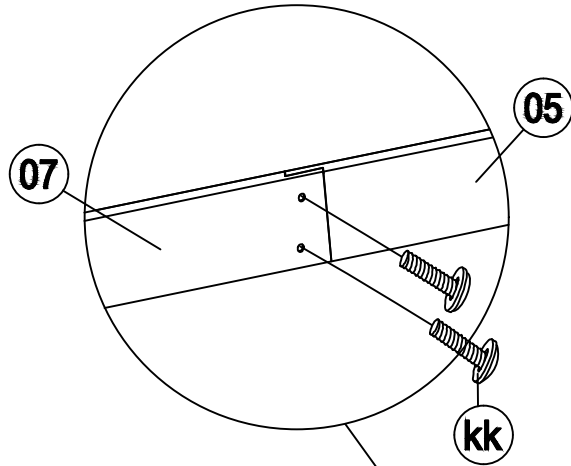
05 4x



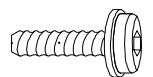
07 4x



18 4x



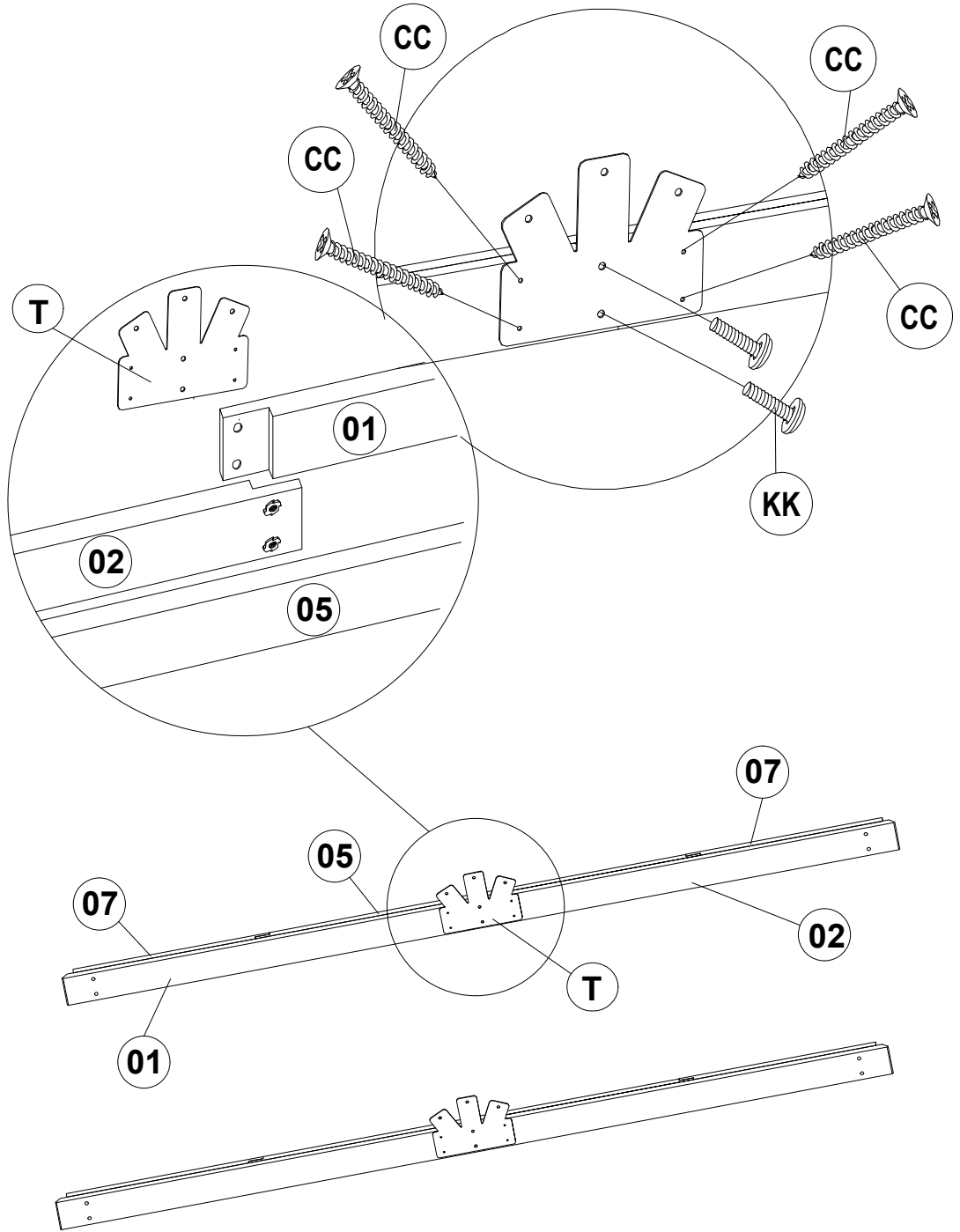
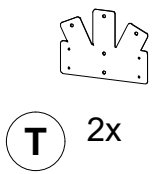
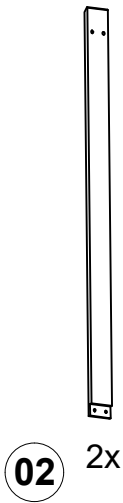
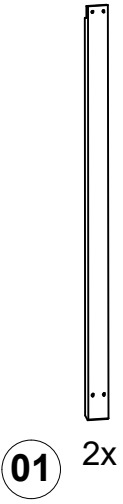
7




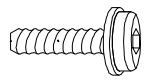
KK 16x

M8*25

<3>



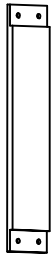
8

	
CC 8x M5*40	KK 4x M8*25

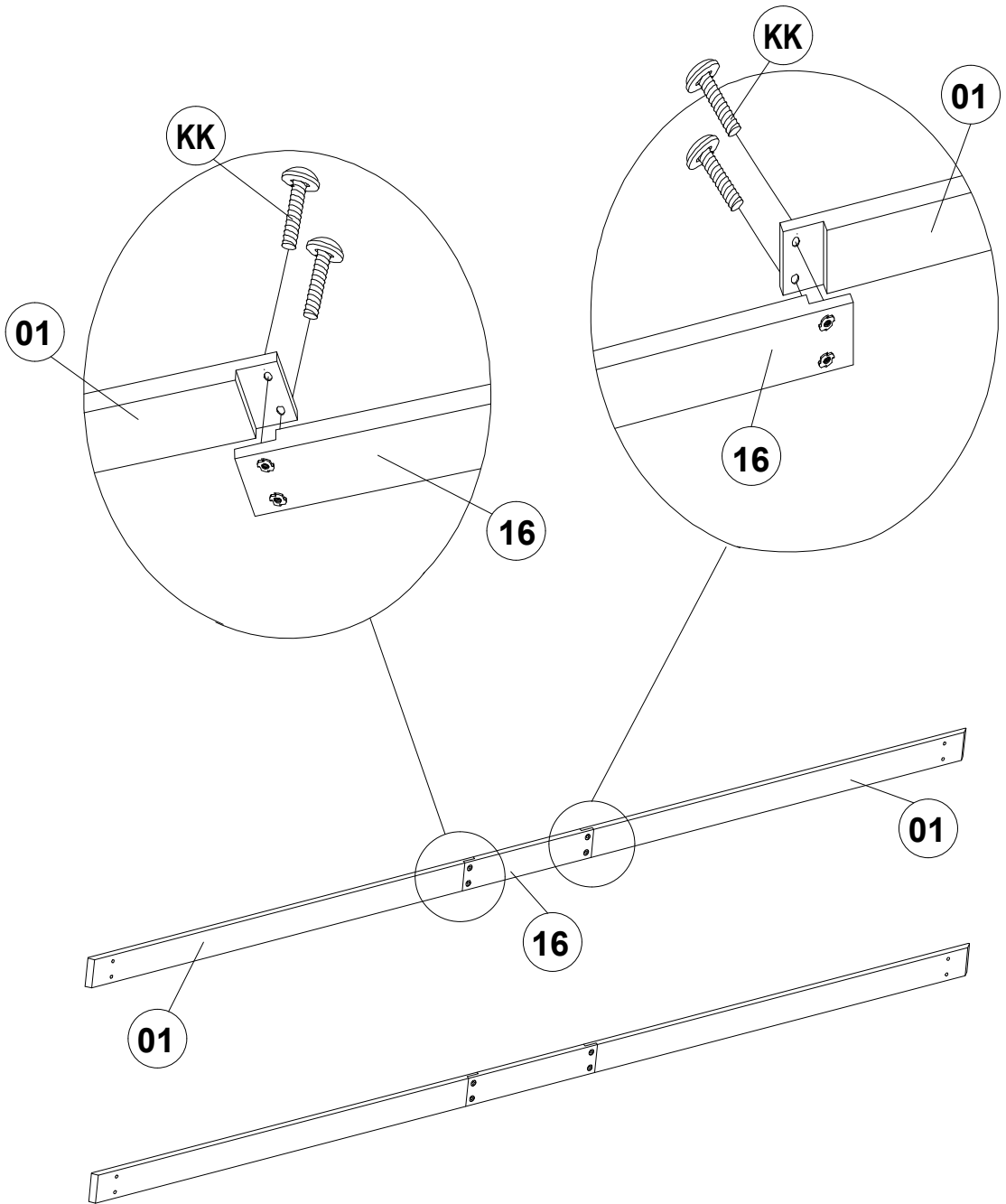
<4>



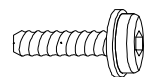
01 4x



16 2x



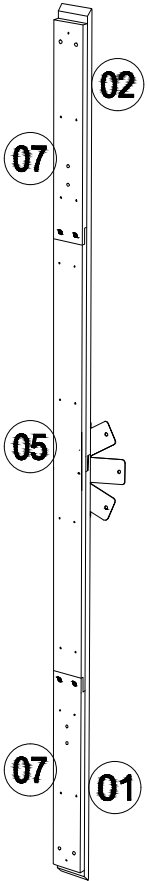
9



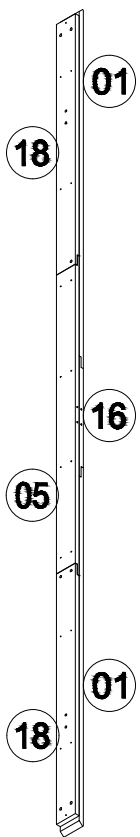
KK 8x

M8*25

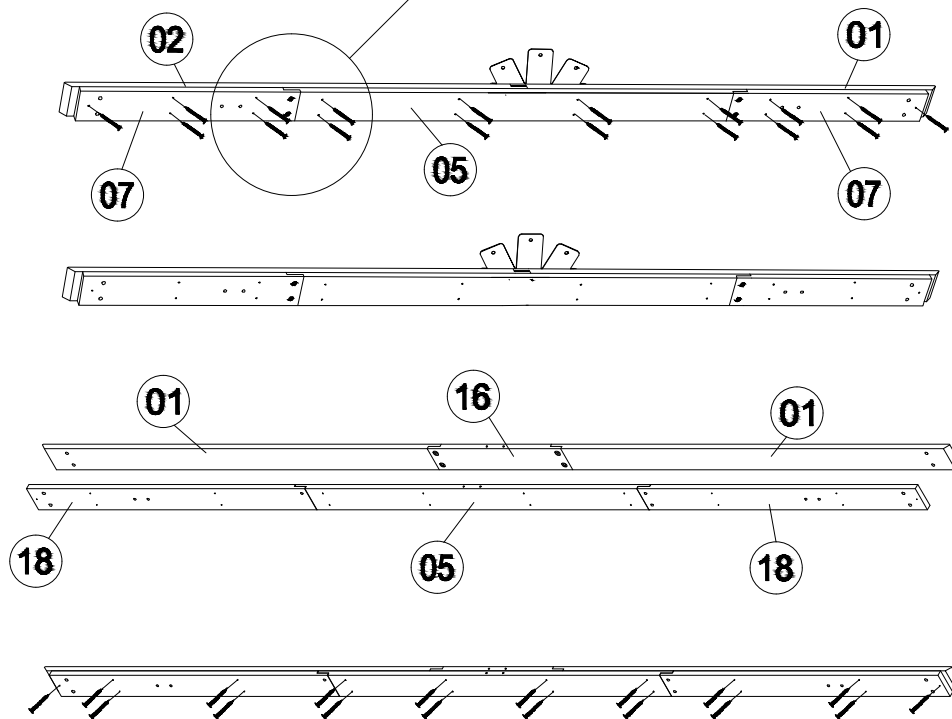
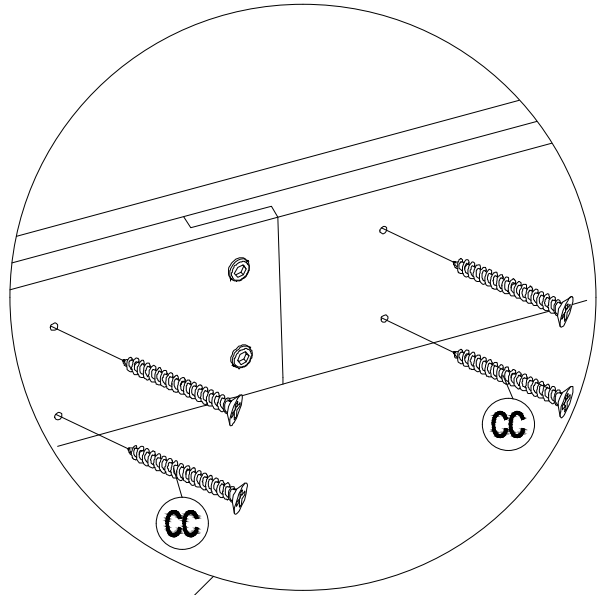
<5>



2x



2x

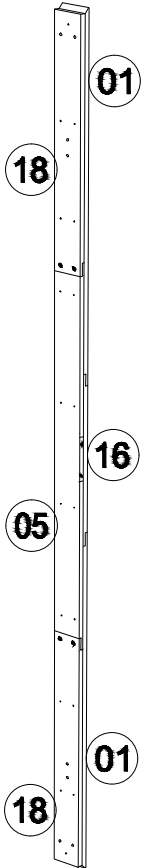


CC 72x

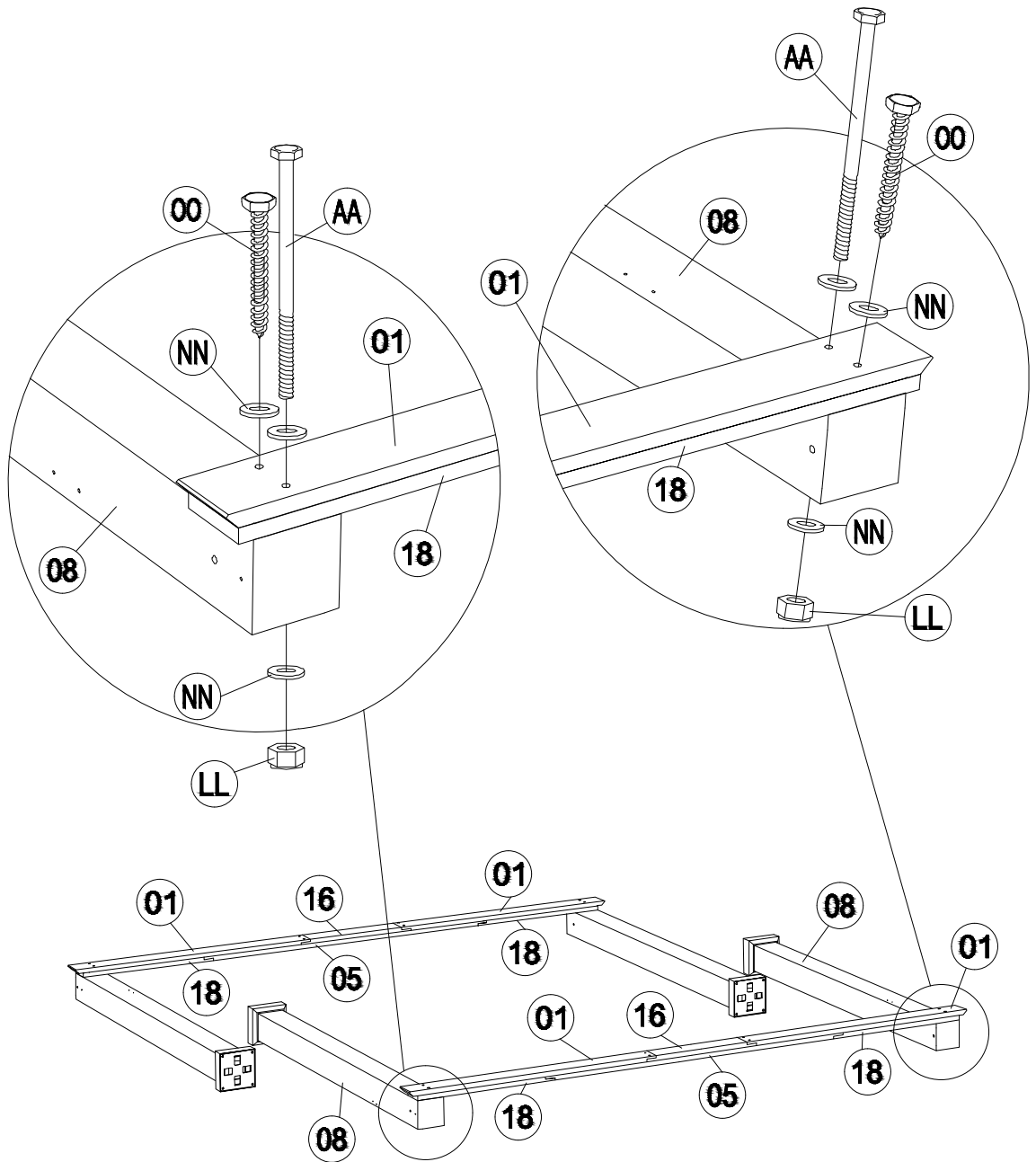
M5*40

10




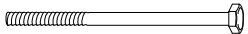
<6>



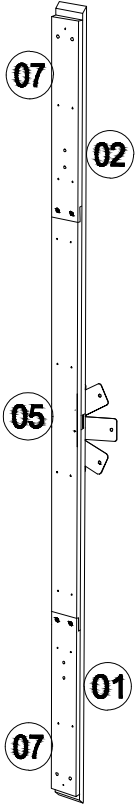
2x



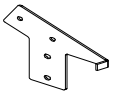
11

 LL 4x M10	 NN 12x M10
 OO 4x M10*80	 AA 4x M10*205

<7>



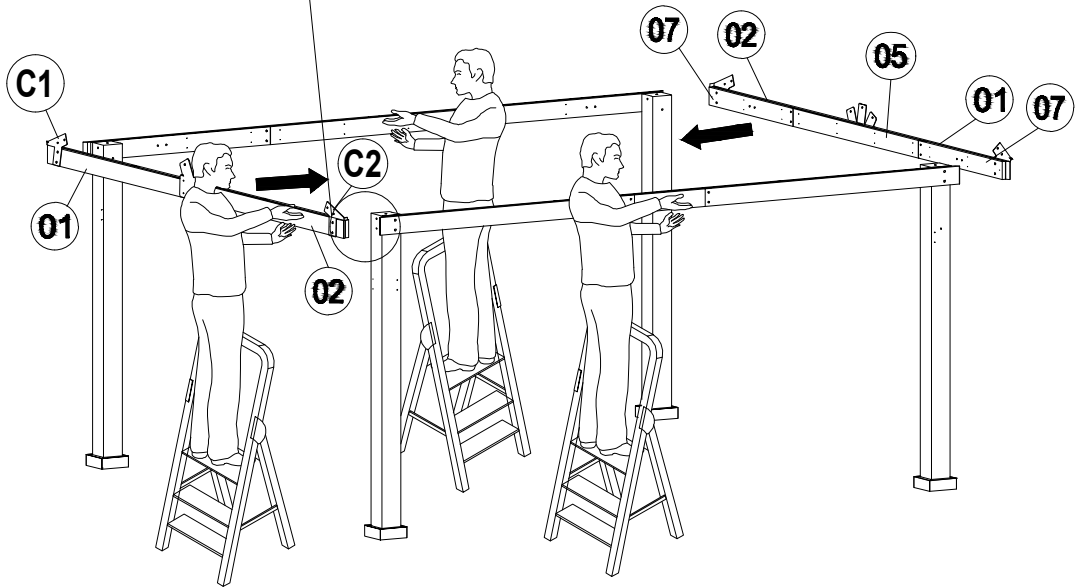
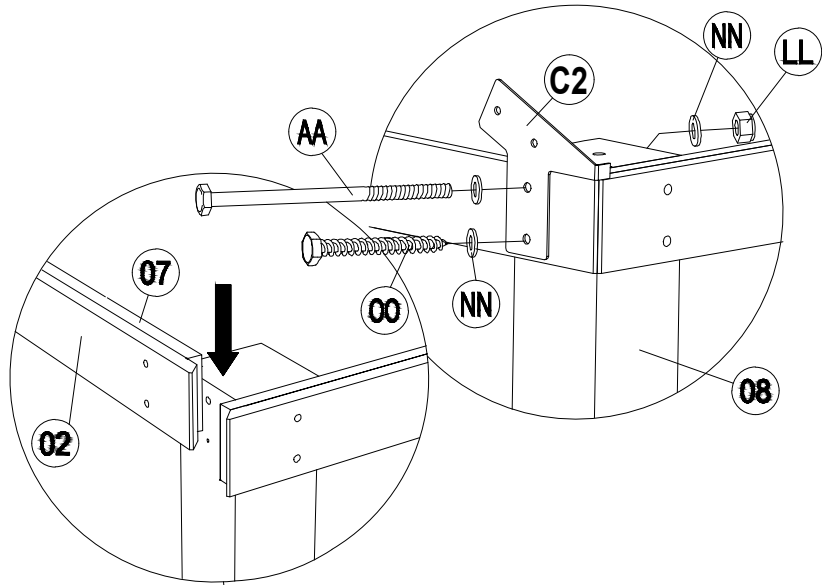
2x




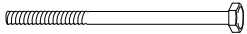


C1 2x



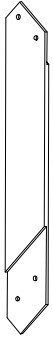
C2 2x



 LL 4x M10	 NN 12x M10
 OO 4x M10*80	 AA 4x M10*205

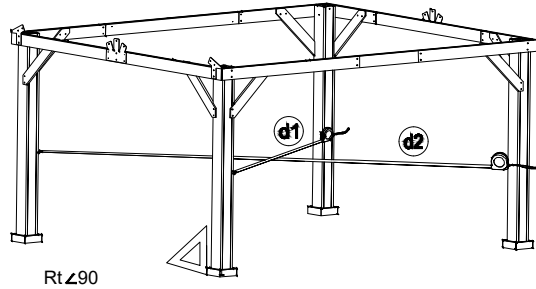
12

<8>

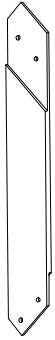


10 4x

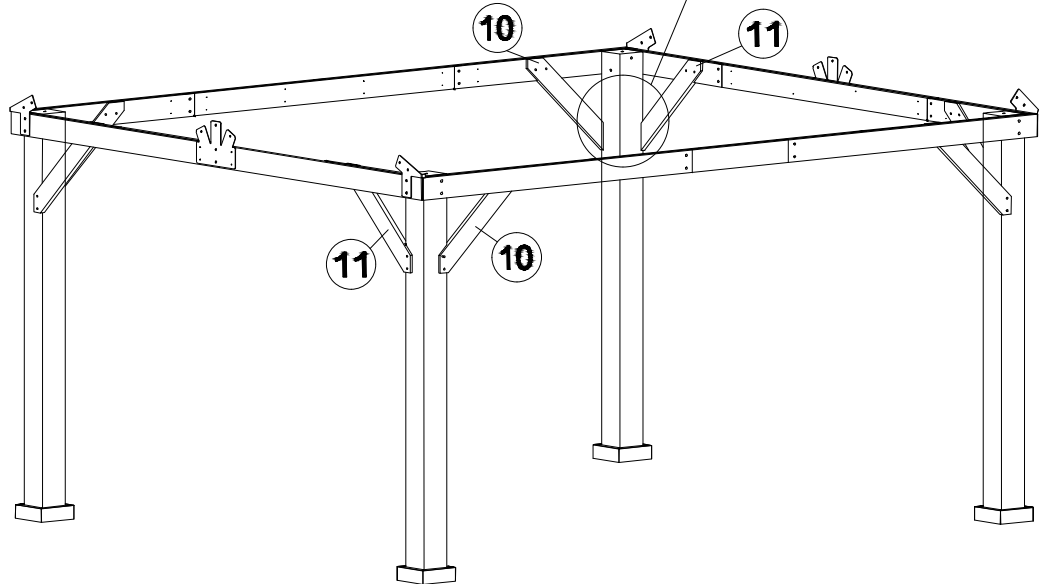
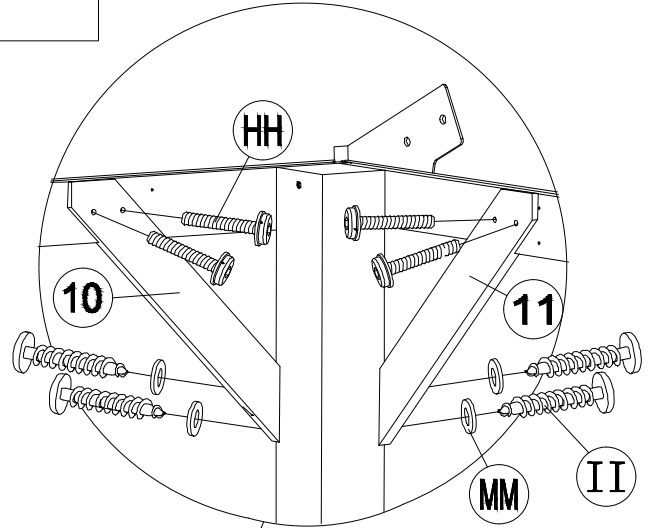
ⓘ d1=d2



Rt∠90



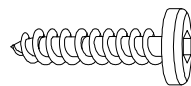
11 4x



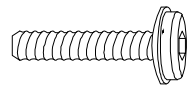
13



MM 16x M8

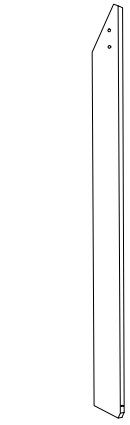


II 16x M8*35

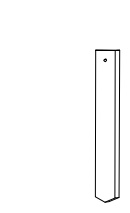


HH 16x M8*35

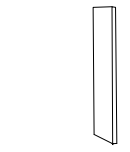
<9>



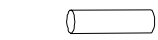
21 4x



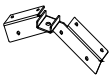
22 2x



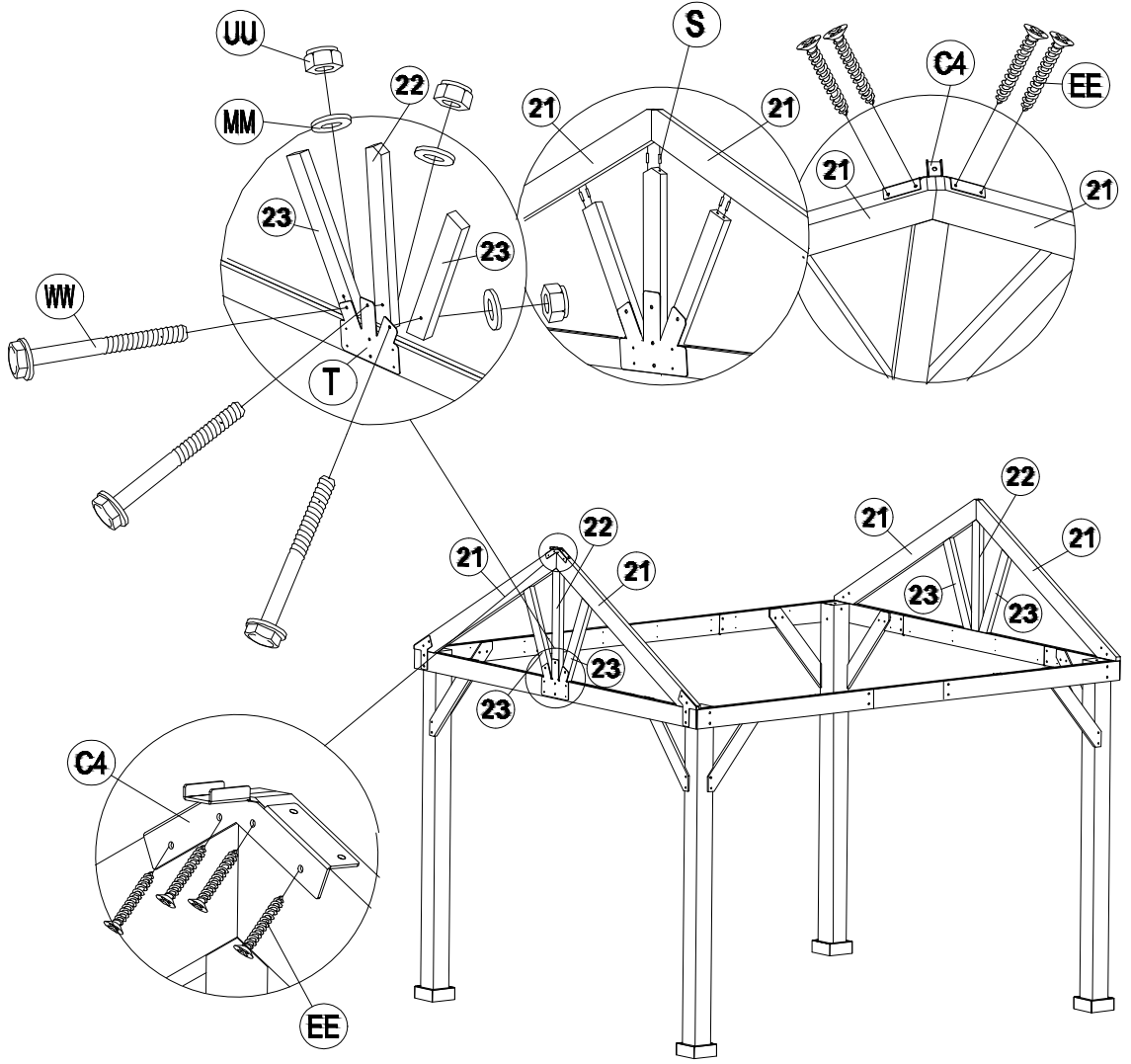
23 4x






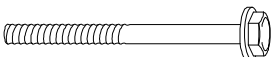
S 12x



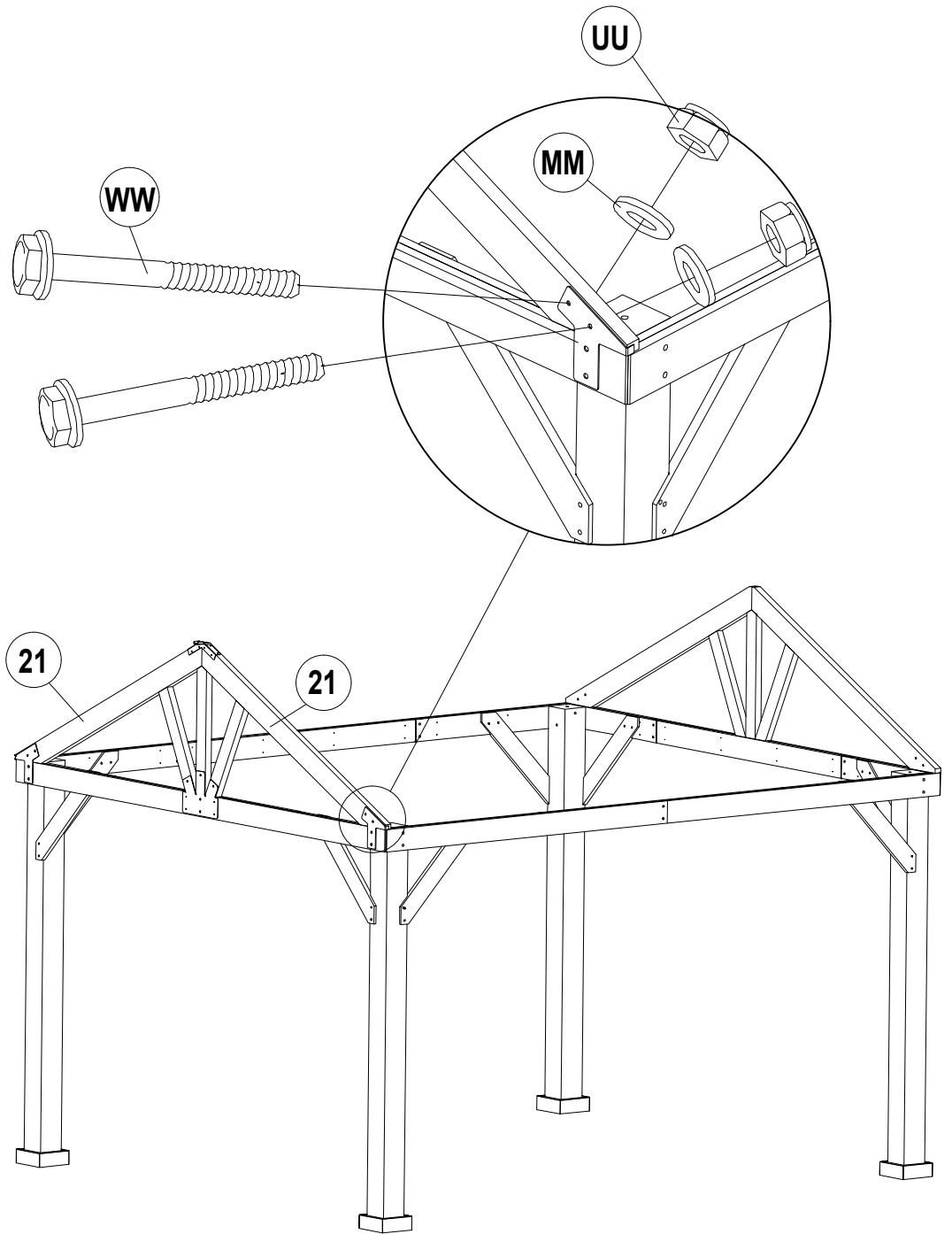
C4 2x





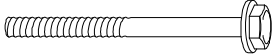
14

 UU 6x M8	 MM 6x M8
 EE 16x M5*30	 WW 6x M8*50

<10>



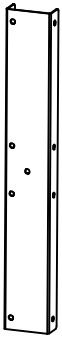
15

		
UU 8x M8	MM 8x M8	WW 8x M8*50

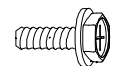
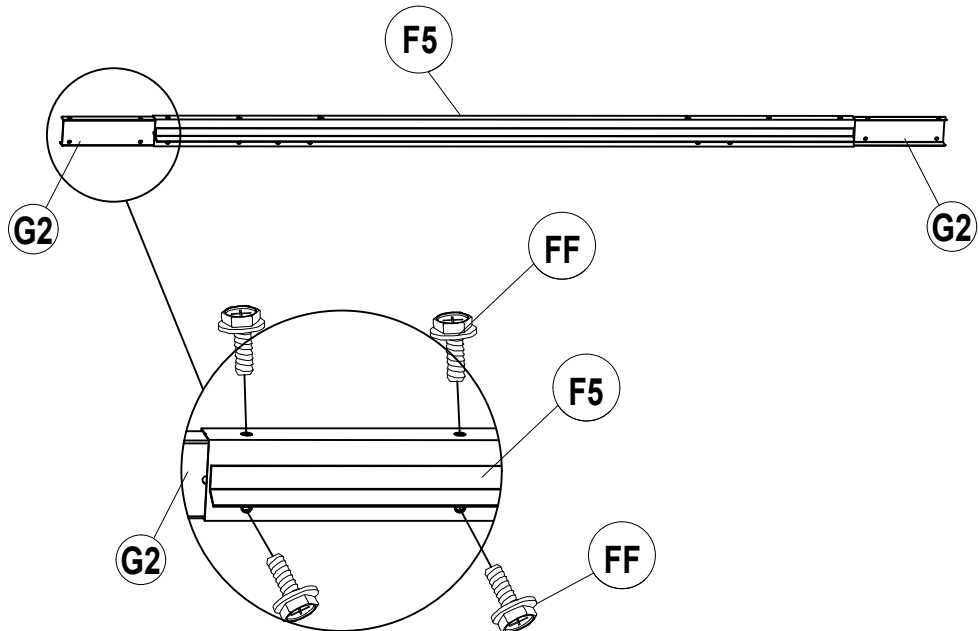
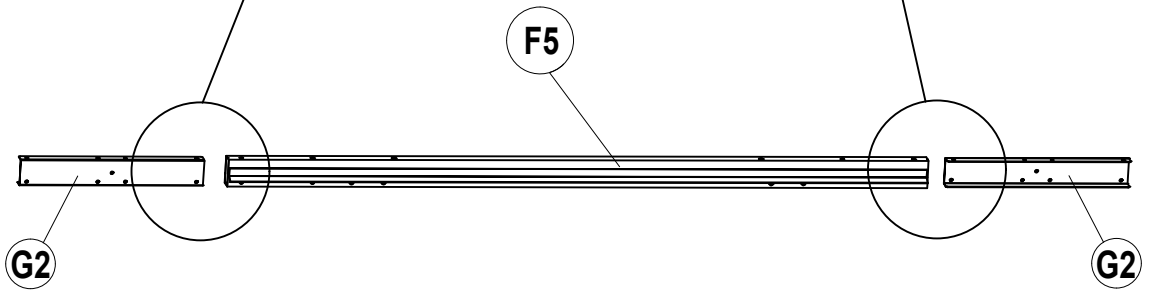
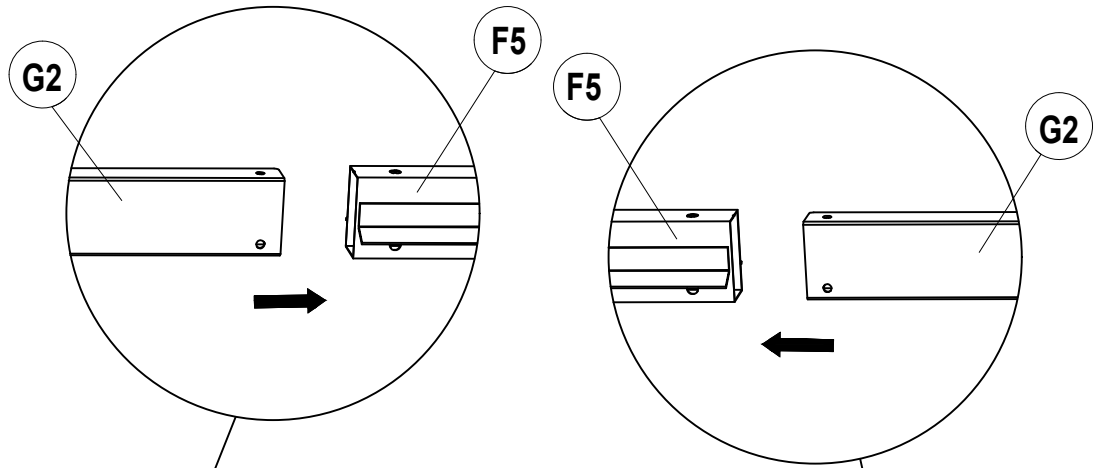
<11>



F5 1x



G2 2x



FF 8x

M6*15

<12>

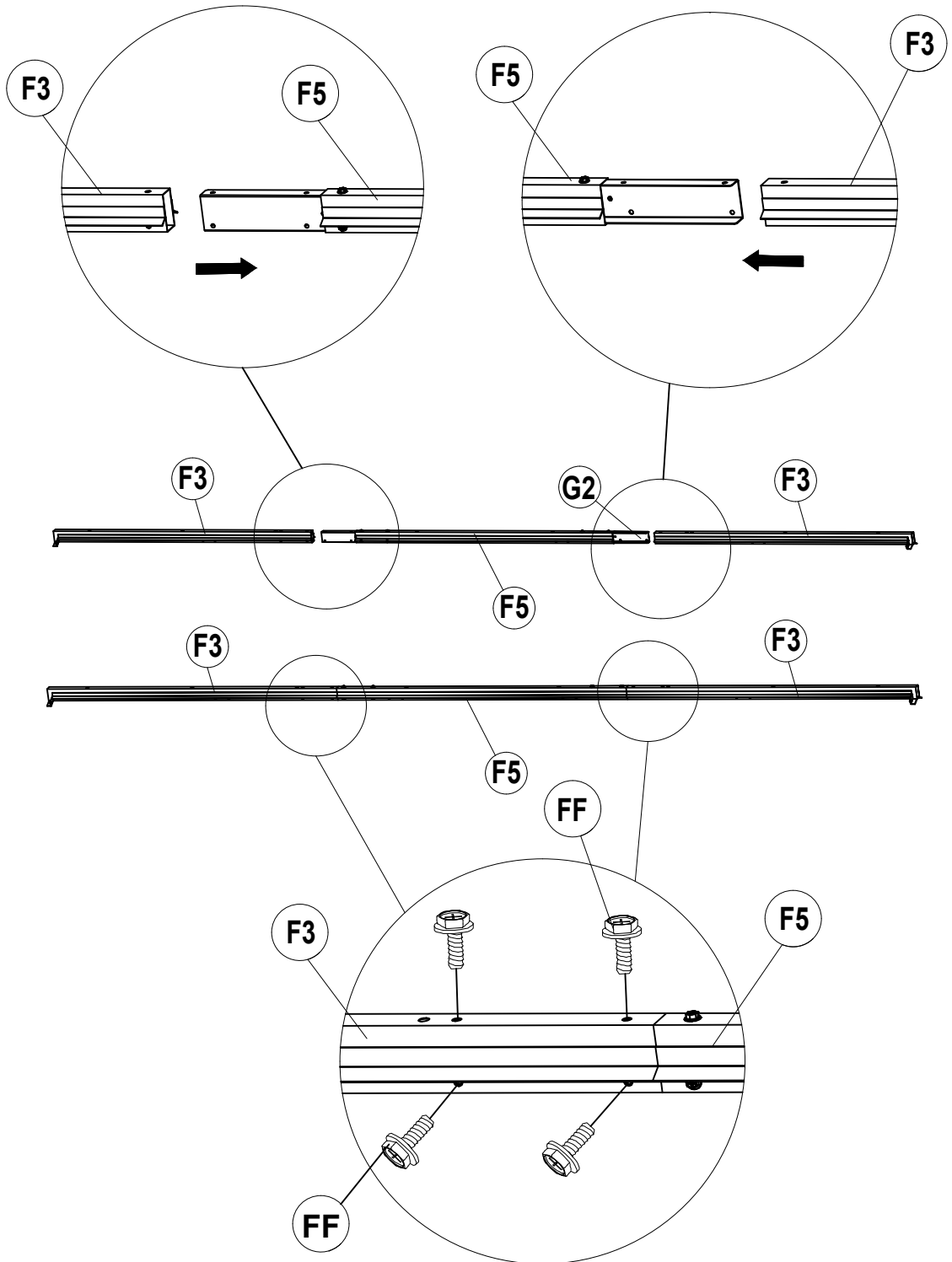


1x

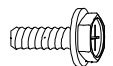


F3

2x



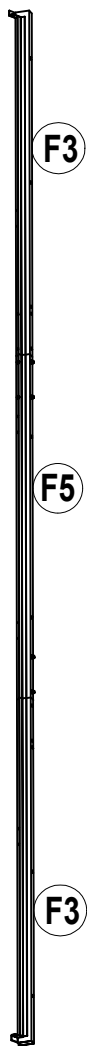
17



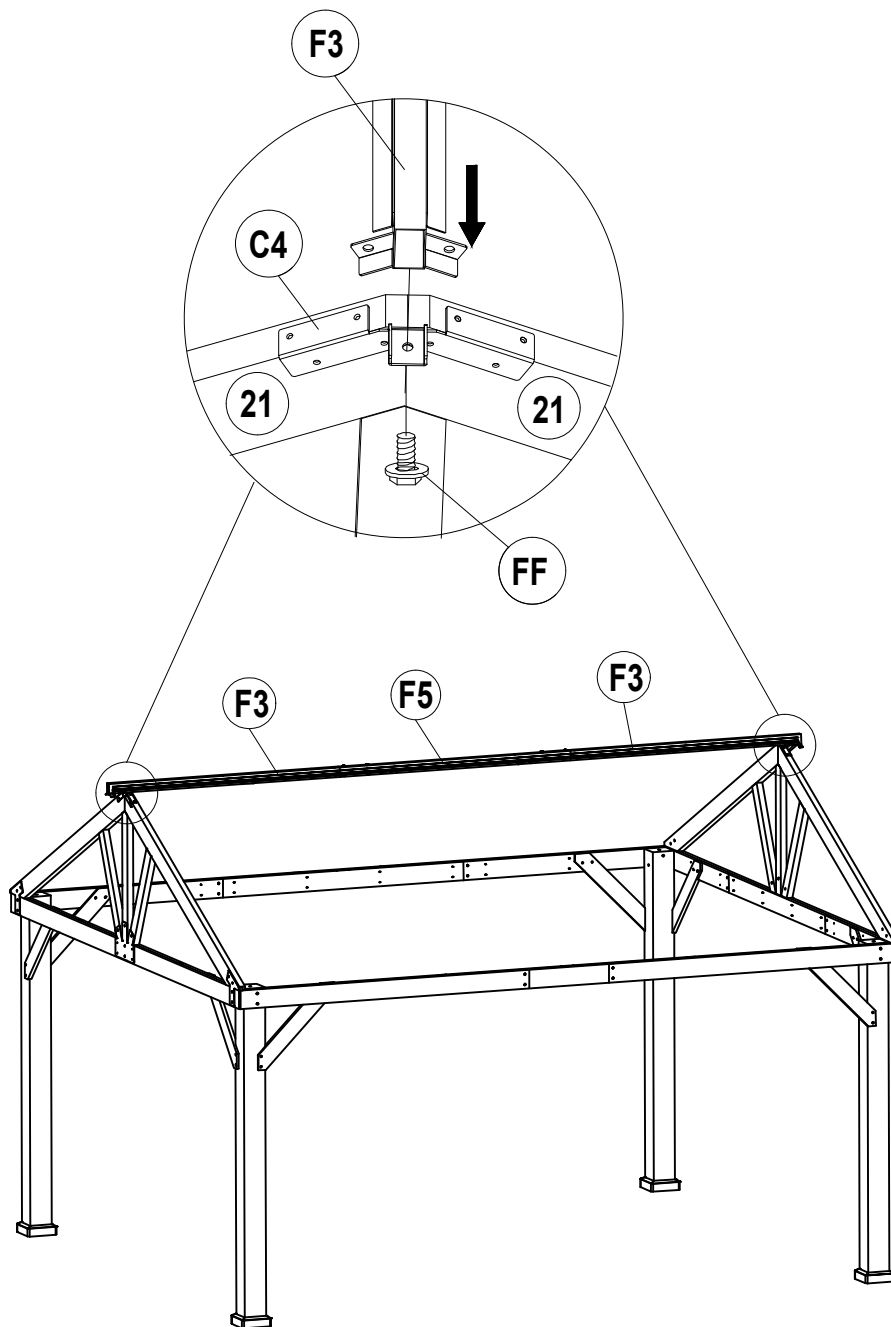
FF 8x

M6*15

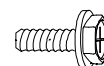
<13>



1x



18



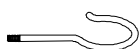
FF 2x

M6*15

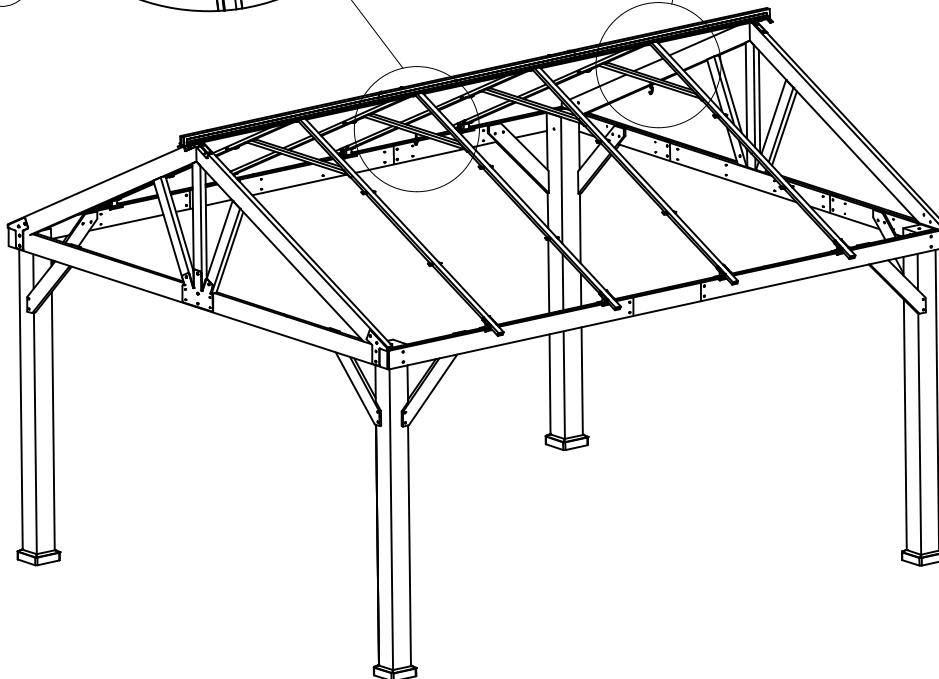
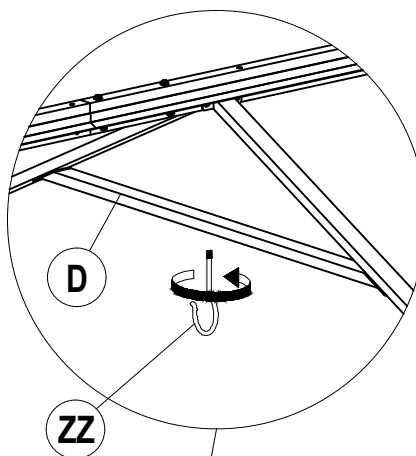
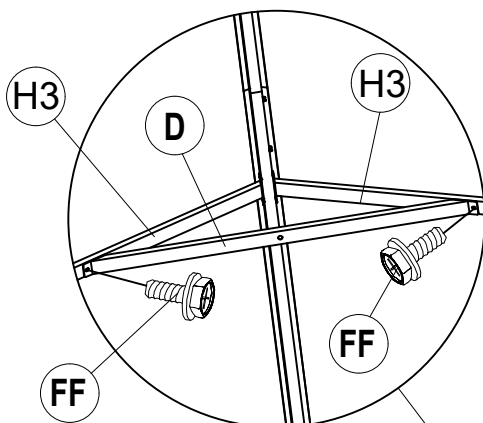
<15>



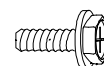
D 4x



ZZ 2x



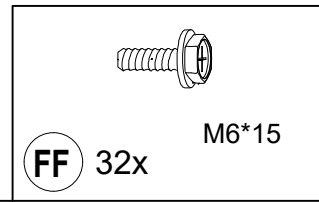
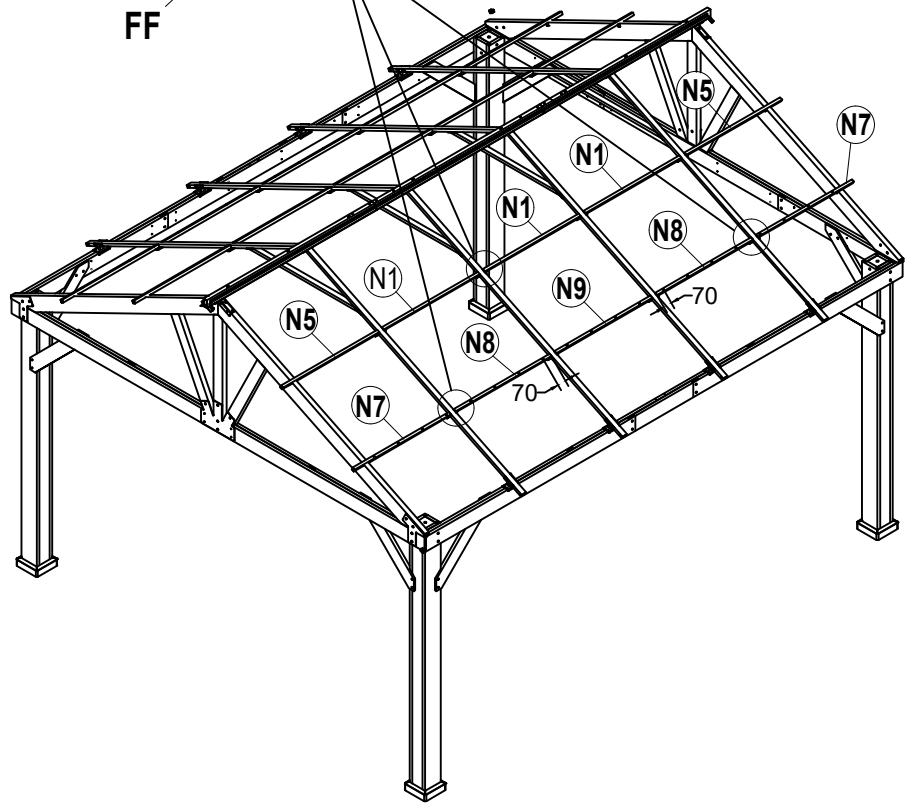
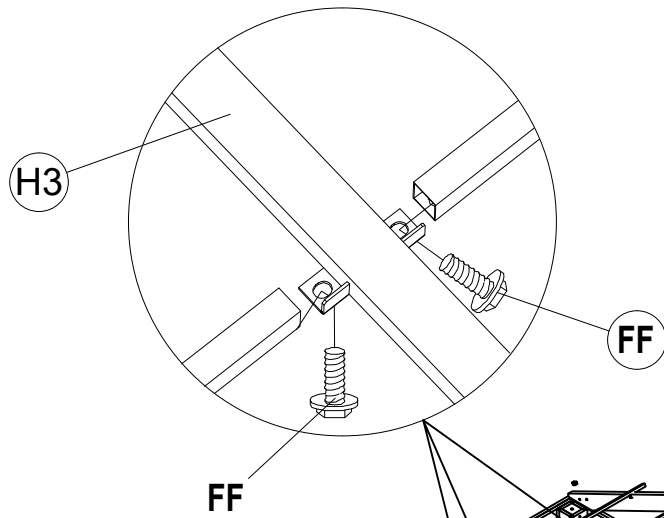
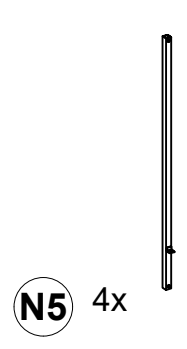
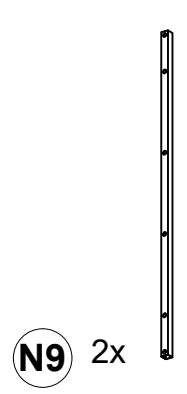
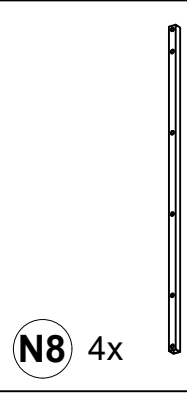
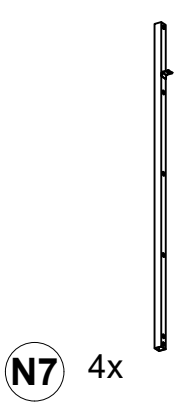
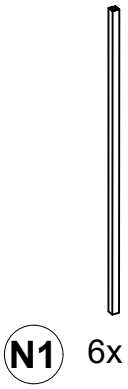
20



FF 8x

M6*15

<16>



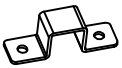
<17>



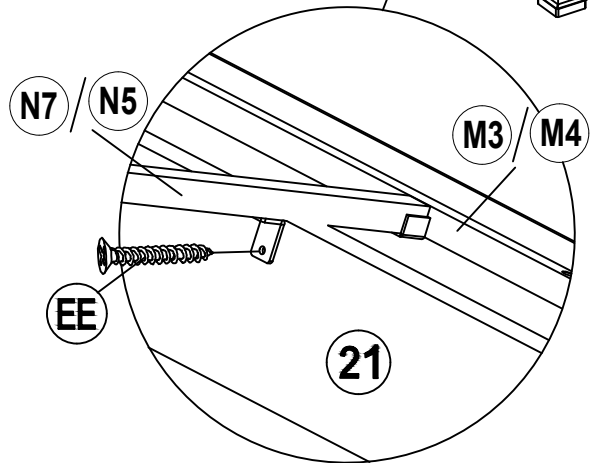
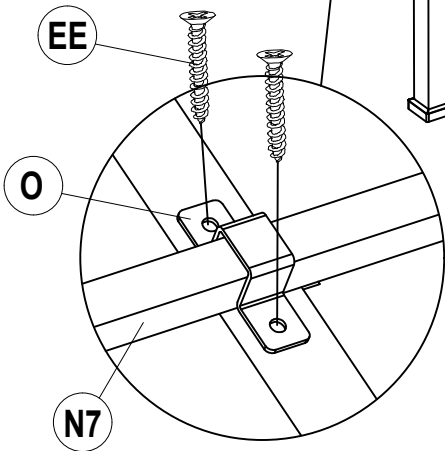
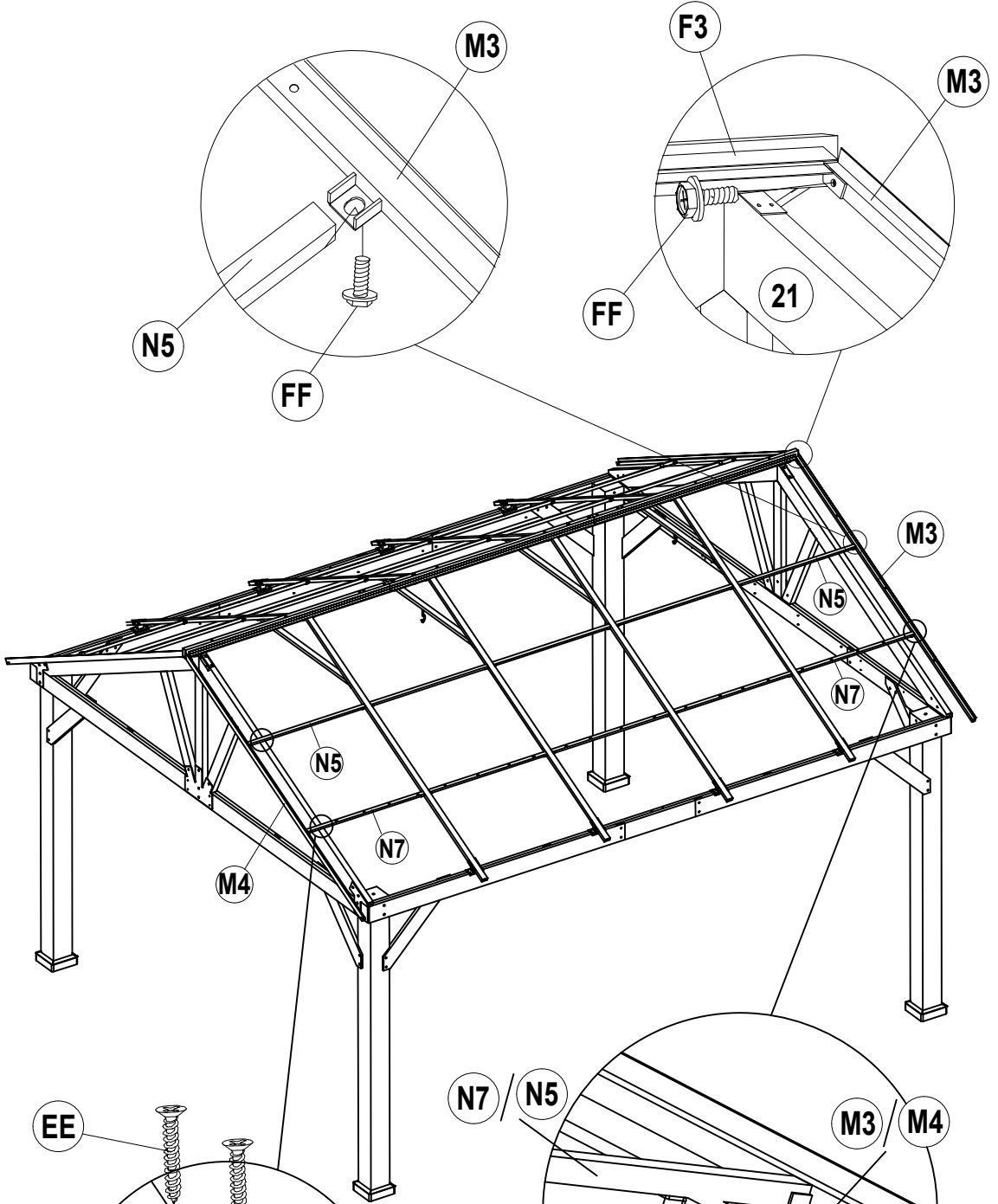
M3 2x



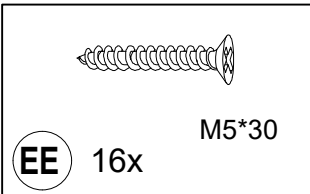
M4 2x



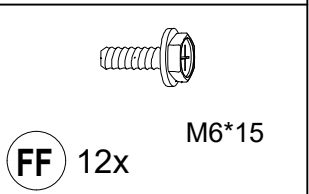
O 4x



22

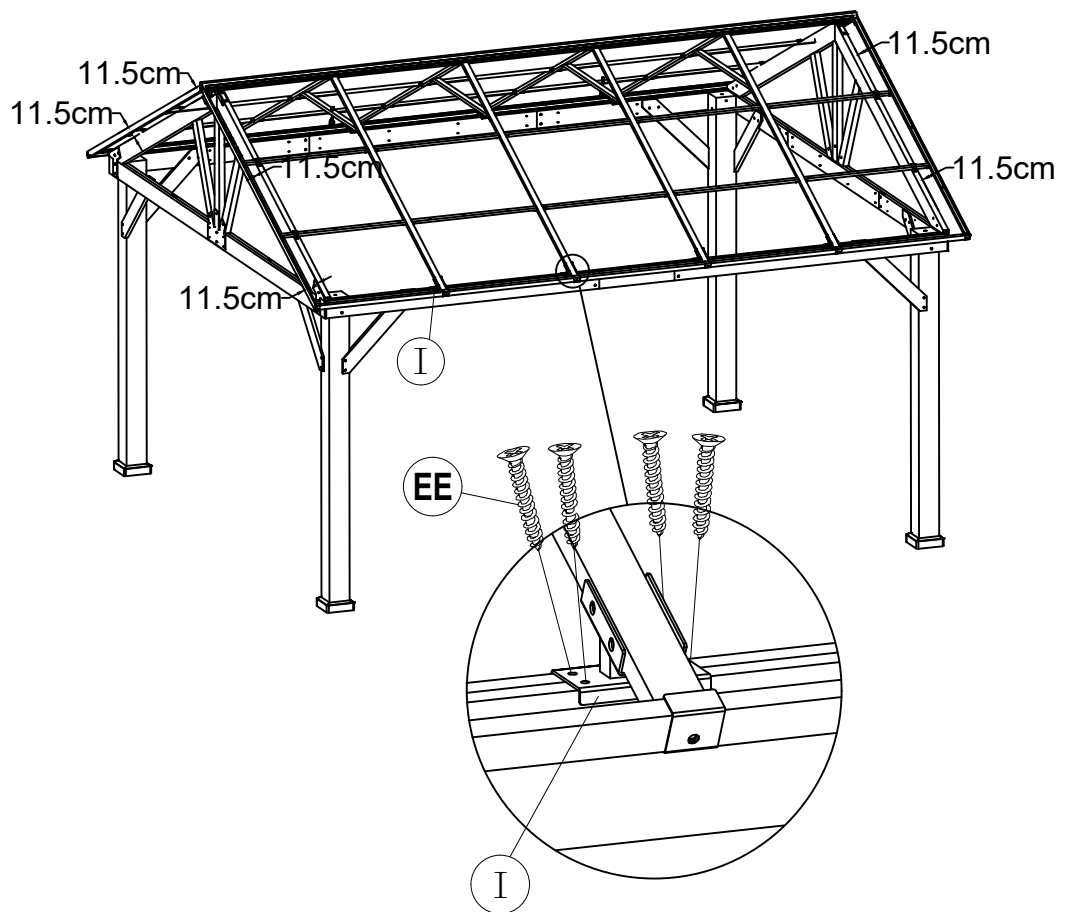
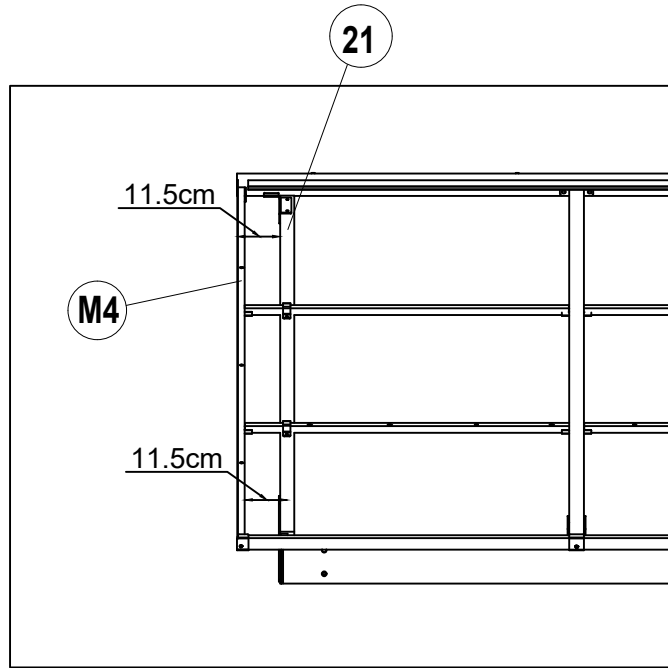


EE 16x M5*30



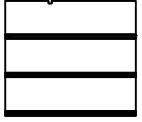
FF 12x M6*15

<19>

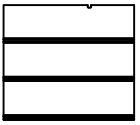




P7 10x

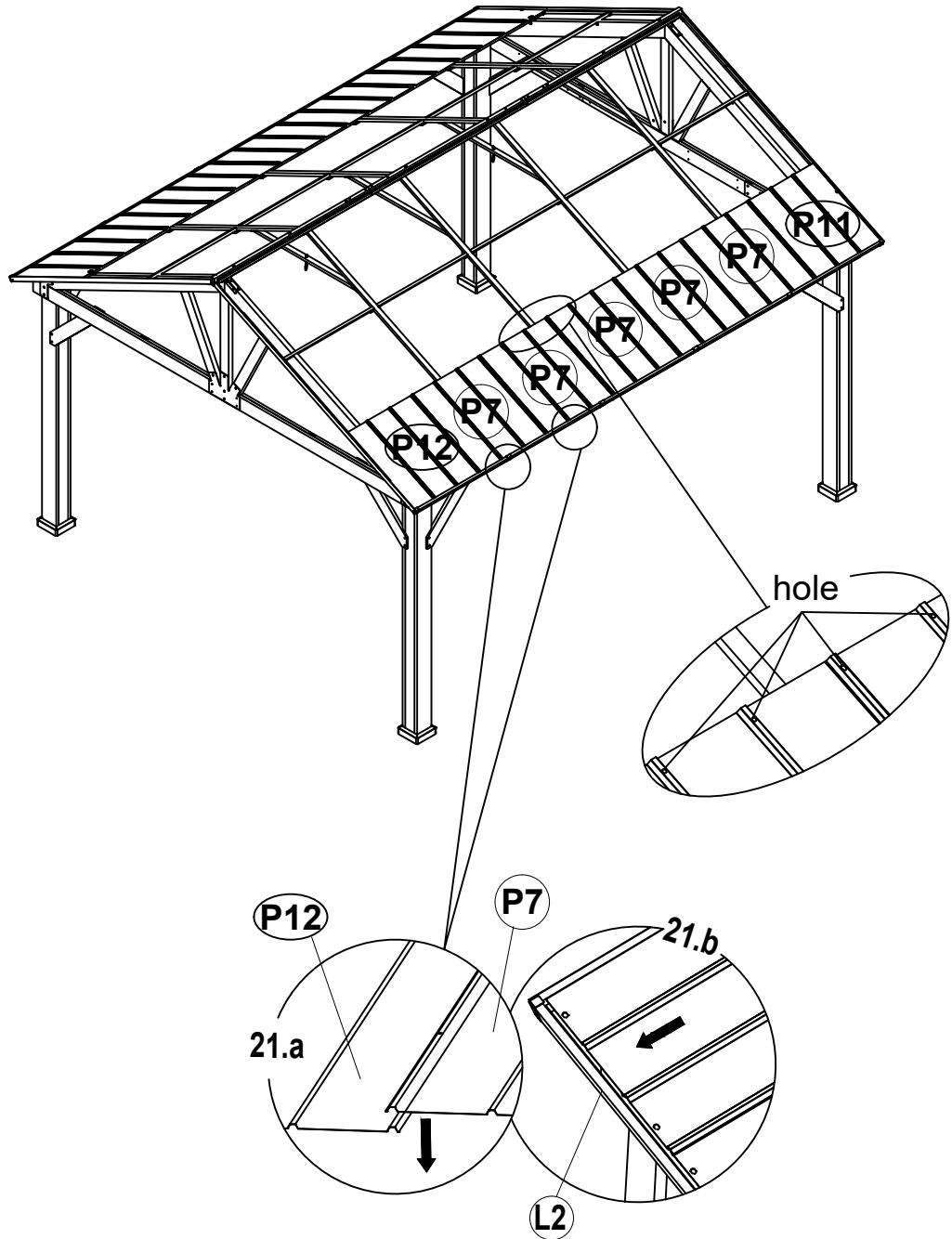


P11 2x

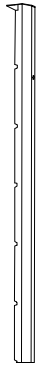


P12 2x

<20>



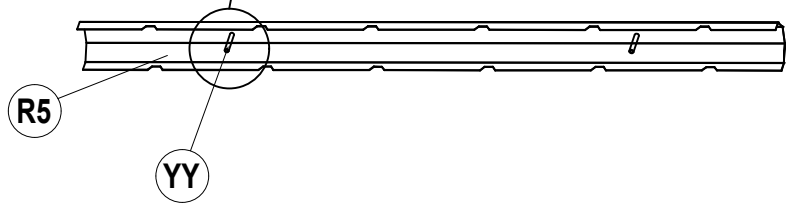
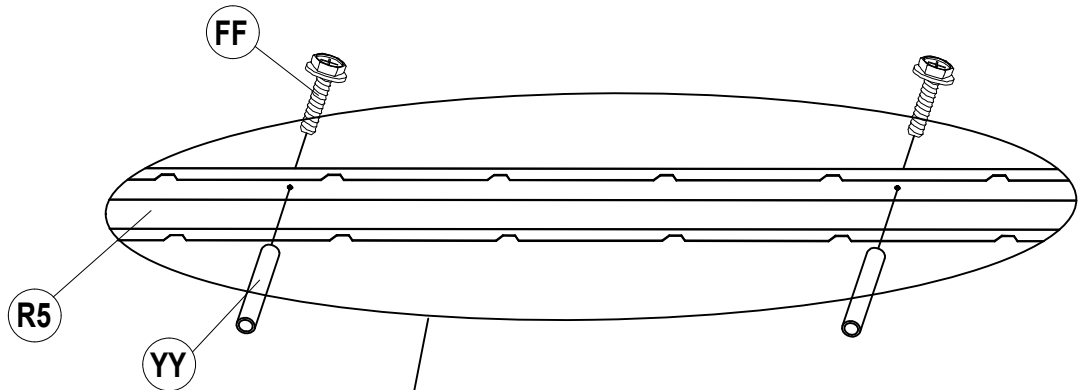
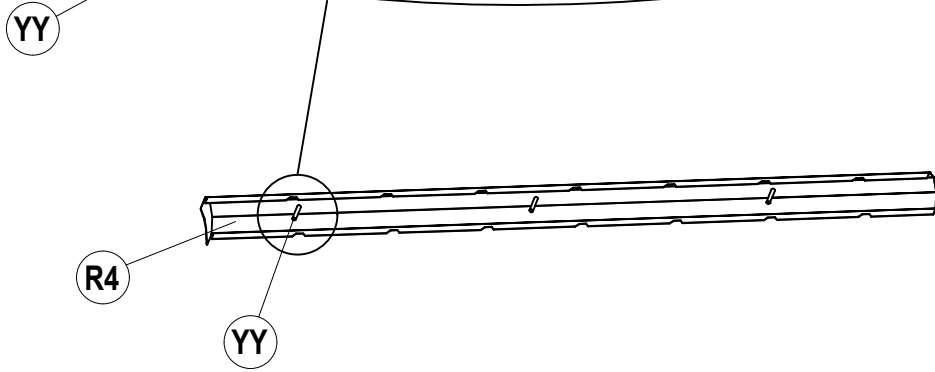
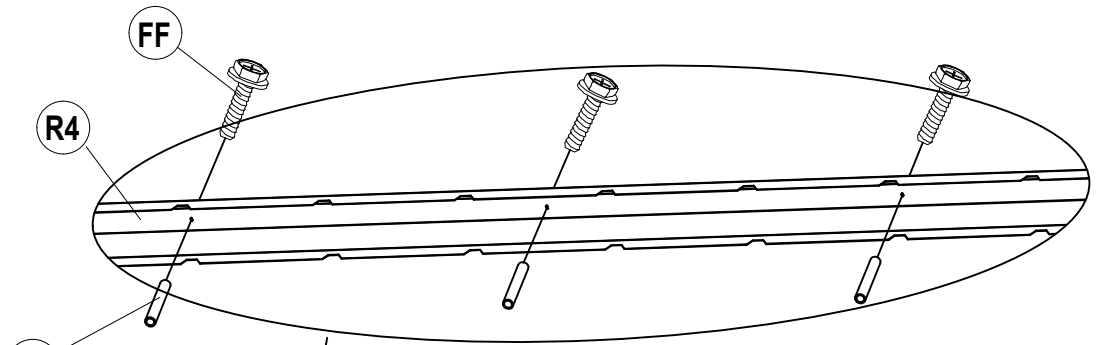
<21>



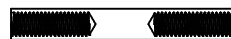
R4 2x



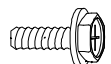
R5 1x



26



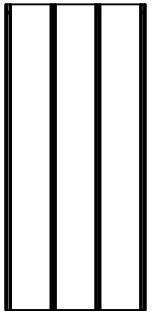
YY 8x



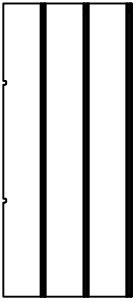
FF 8x

M6*15

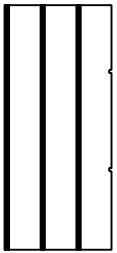
<22>



P6 4x



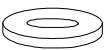
P9 1x



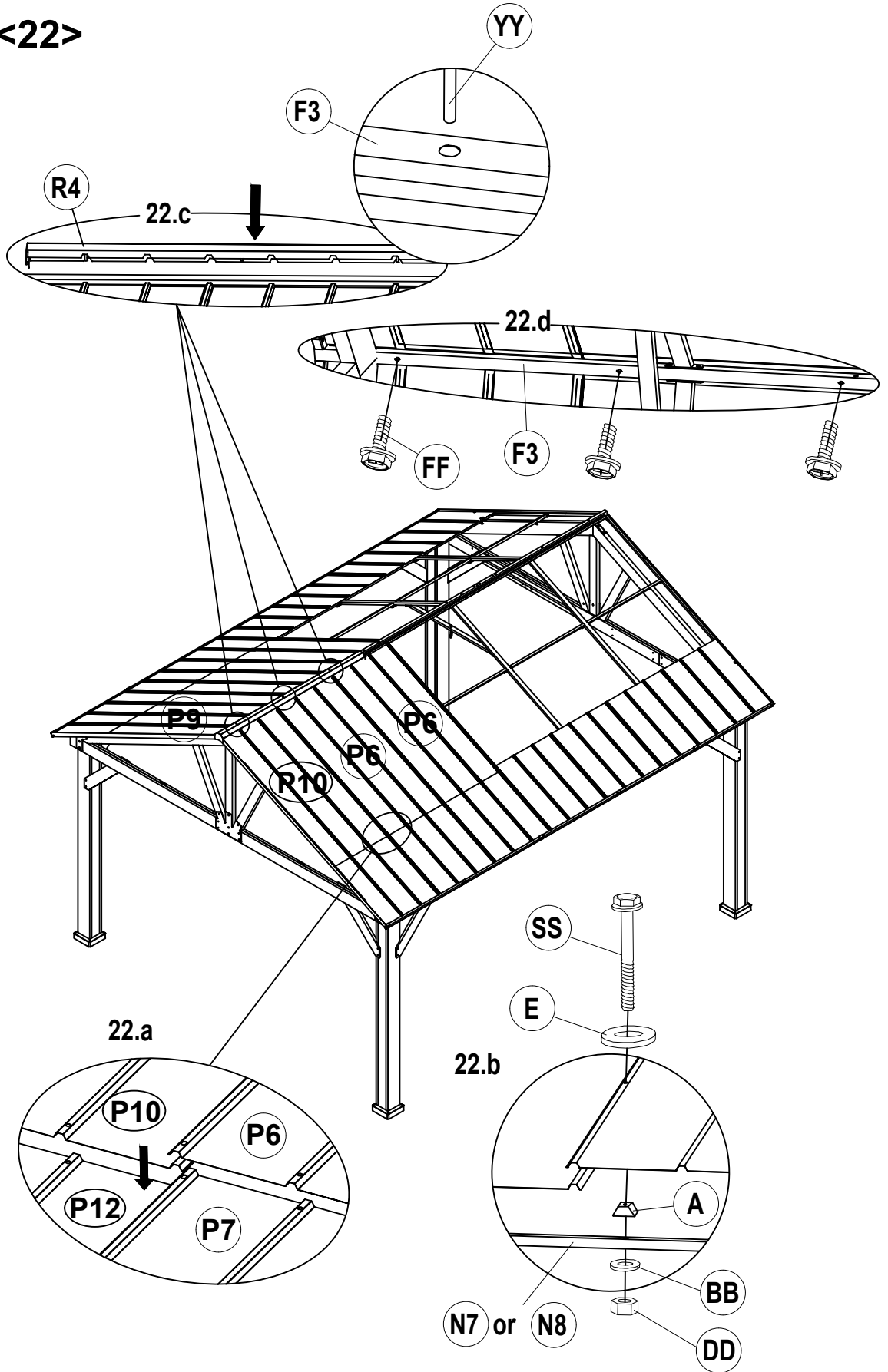
P10 1x



A 16x



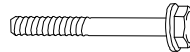
E 16x



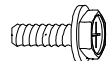
DD 16x M6



BB 16x M6

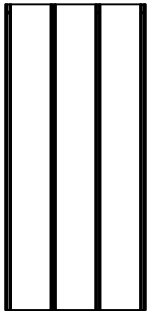


SS 16x M6*45



FF 3x M6*15

27



P6 4x

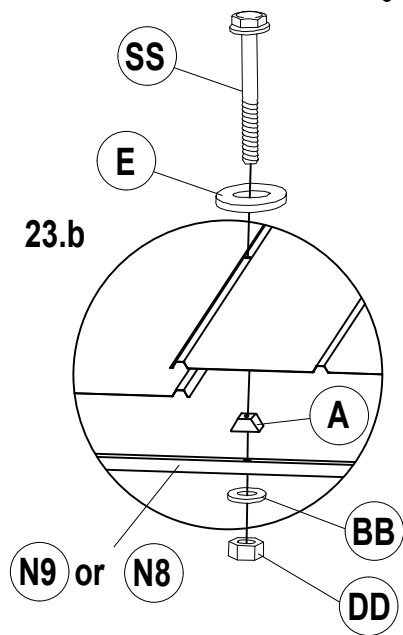
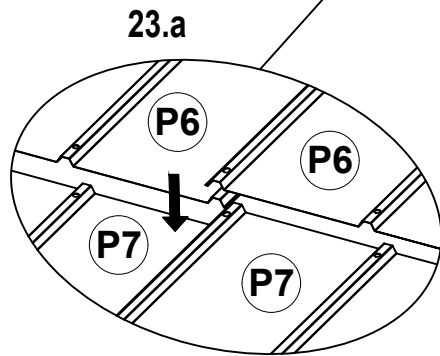
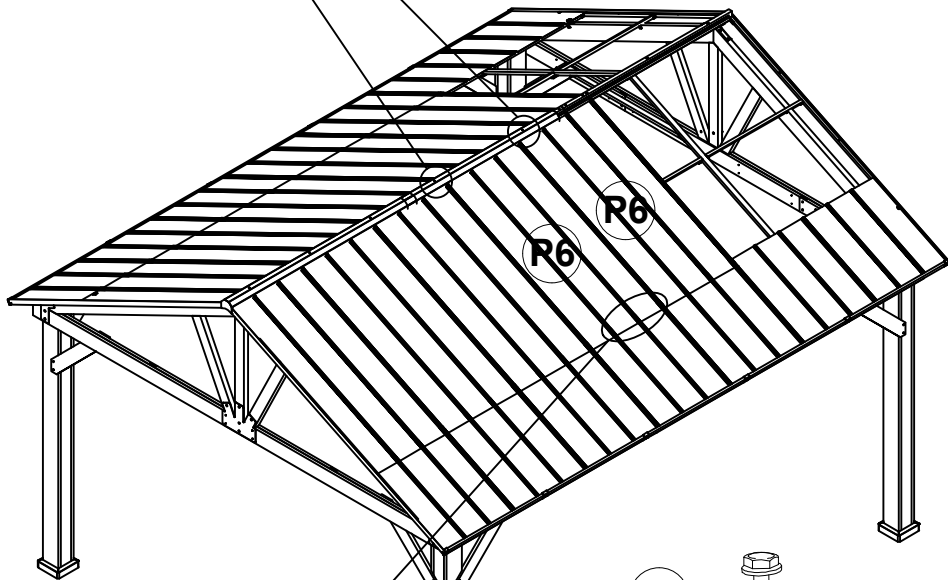
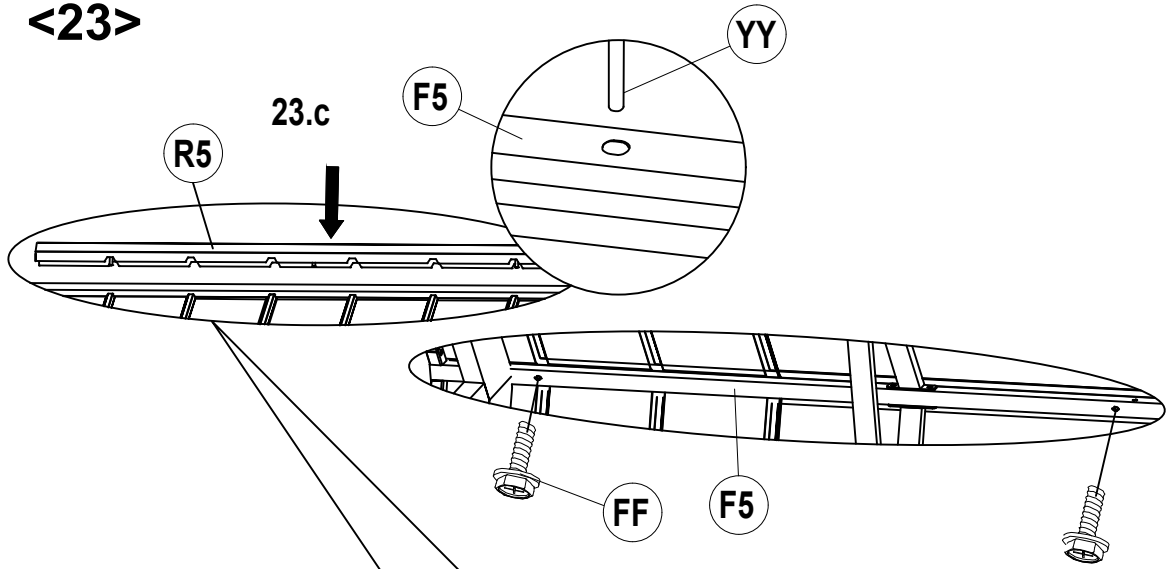


A 12x



E 12x

<23>



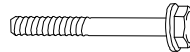
28



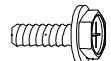
DD 12x M6



BB 12x M6

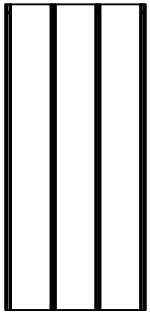


SS 12x M6*45

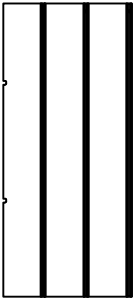


FF 2x M6*15

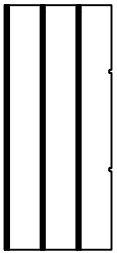
<24>



P6 2x



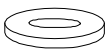
P9 1x



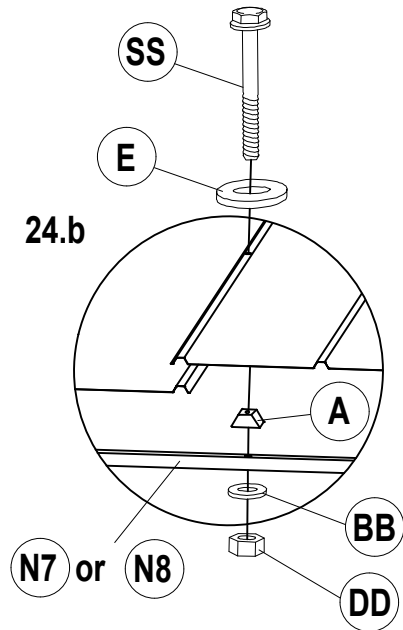
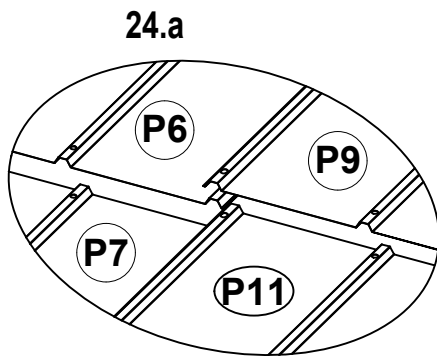
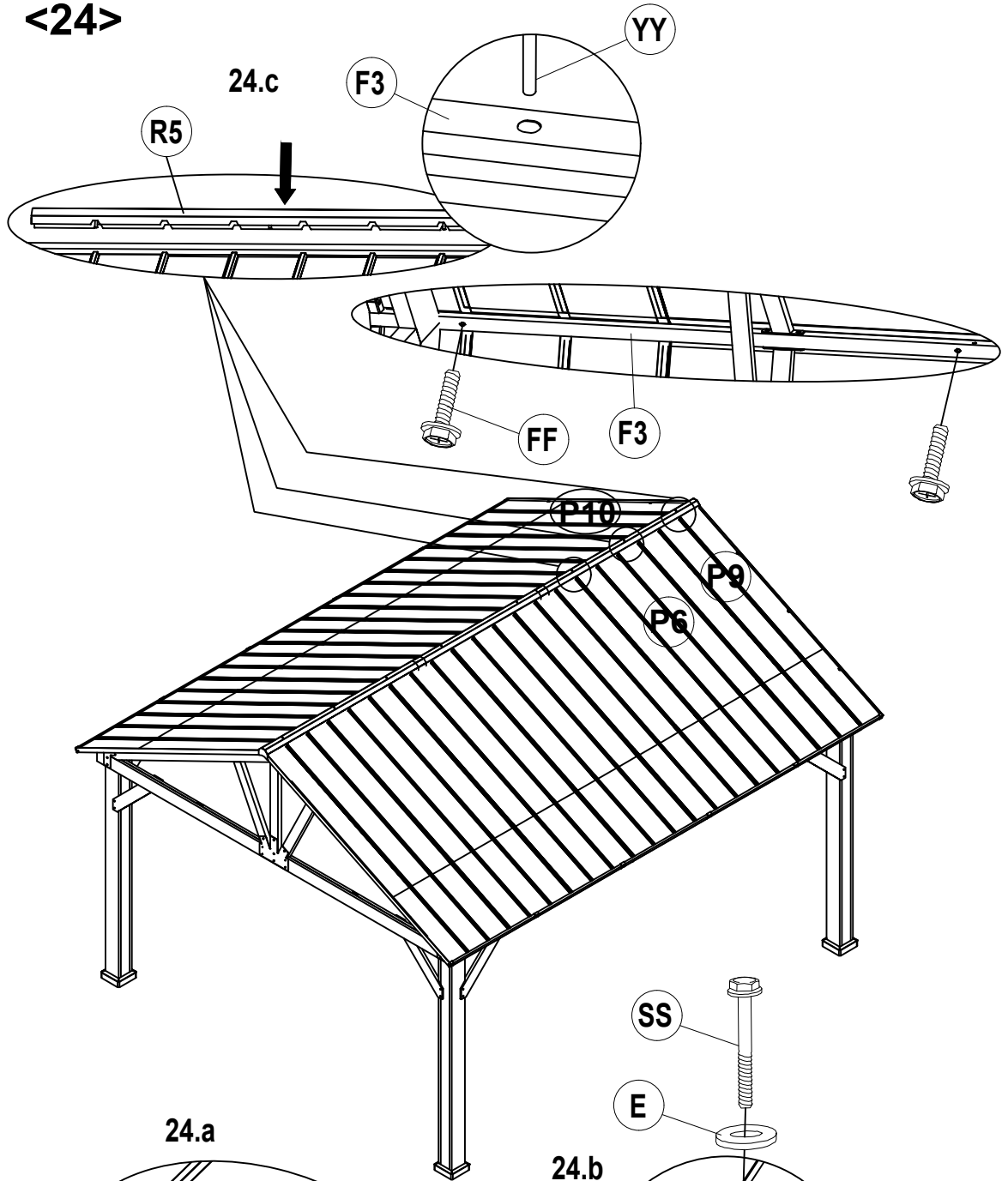
P10 1x



A 12x



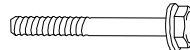
E 12x



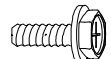
DD 12x M6



BB 12x M6



SS 12x M6*45



FF 3x M6*15

29

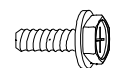
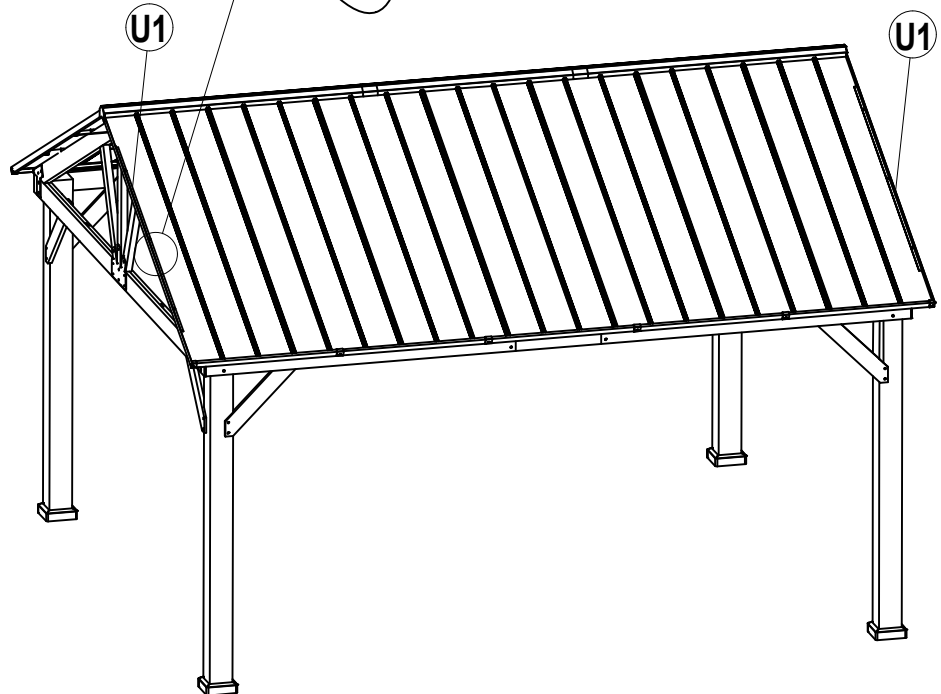
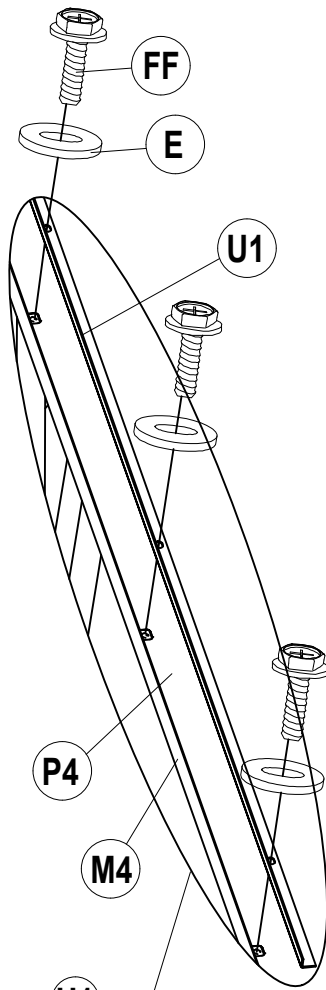
<25>



U1 4x



E 12x

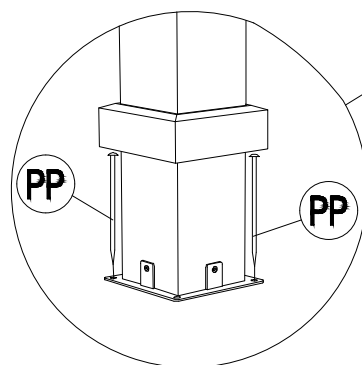
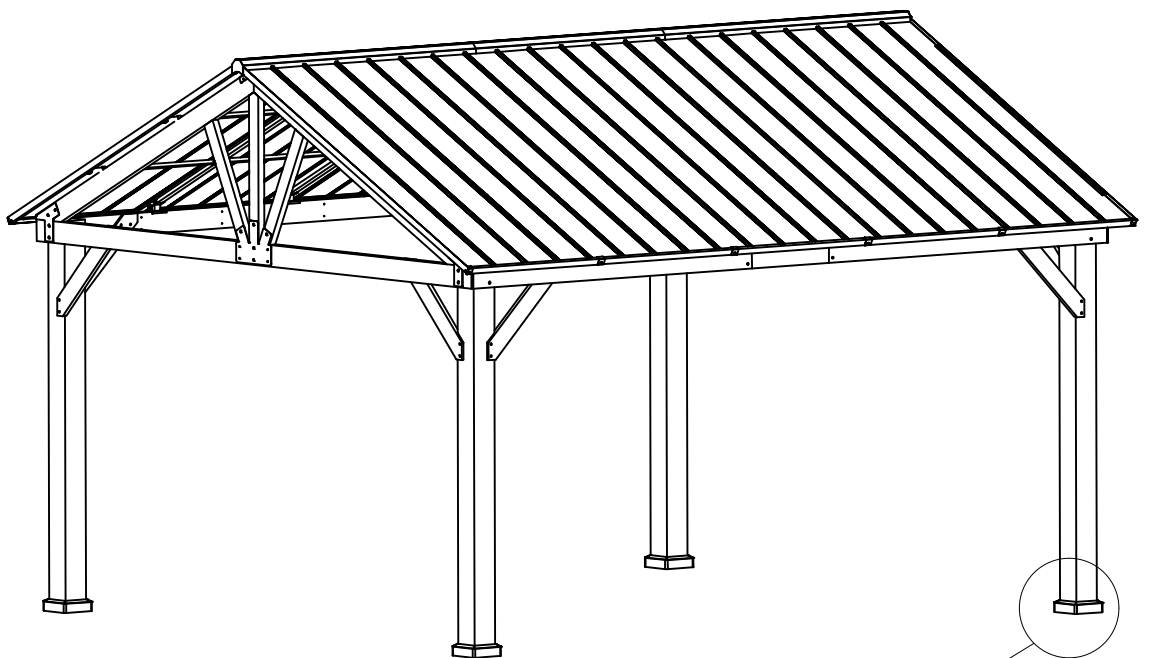


FF 12x

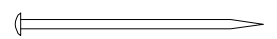
M6*15

30

<26>



31



Φ8*180

PP 8x