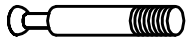









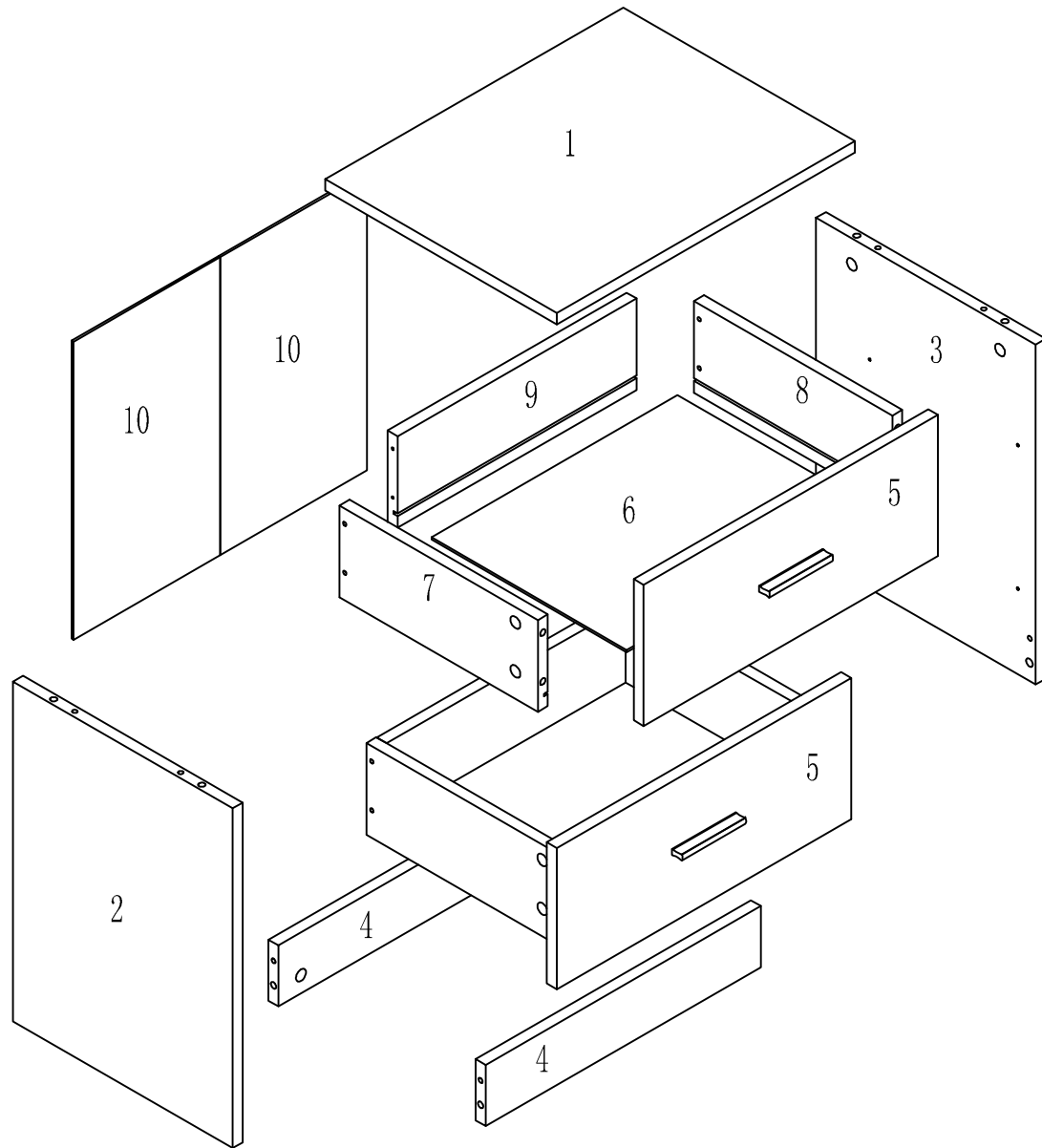
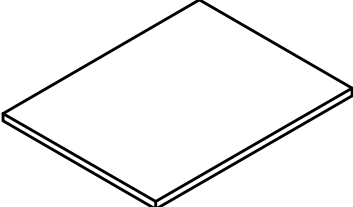
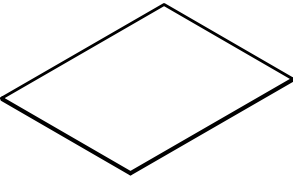
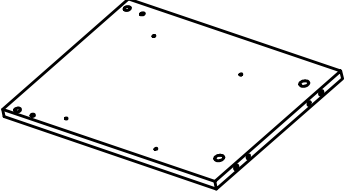
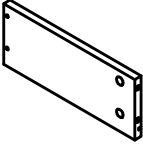
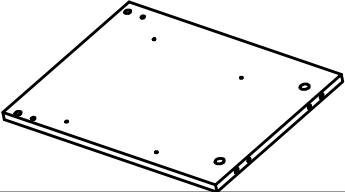
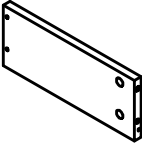
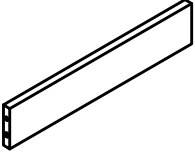
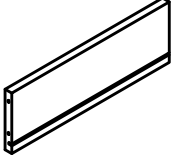
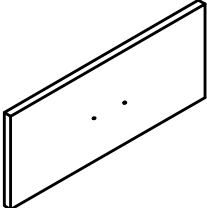
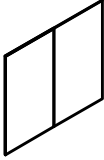


2 hours

PARTS LIST

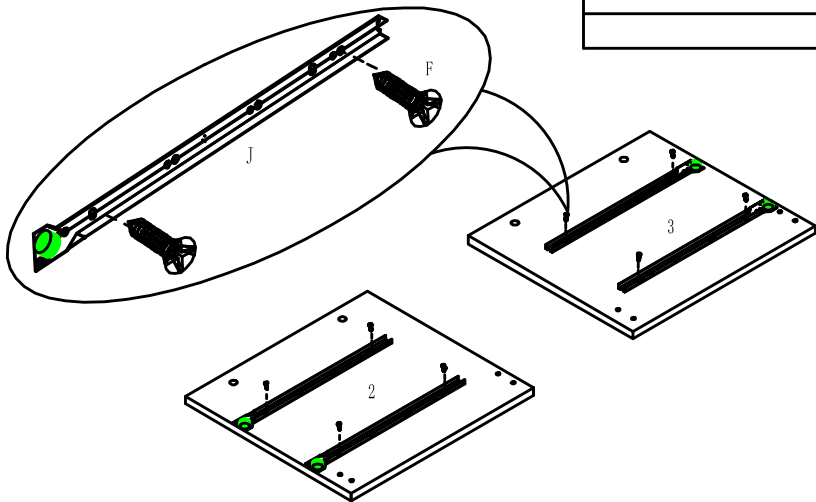
NO.	DESCRIPTION	QTY
A	 M6X34MM	16
B	 M15X12MM	16
C	 M6X30MM	8
D	 Handle	2
E	 M4X38MM	8
F	 M3.5X14MM	16
G	 Nail Leg	4
H	 Neil pin	18
I	 M4X18MM	4
J	 300MM	2



NO.	PARTS LIST	QTY	NO.	PARTS LIST	QTY
1		1	6		2
2		1	7		2
3		1	8		2
4		2	9		2
5		2	10		2

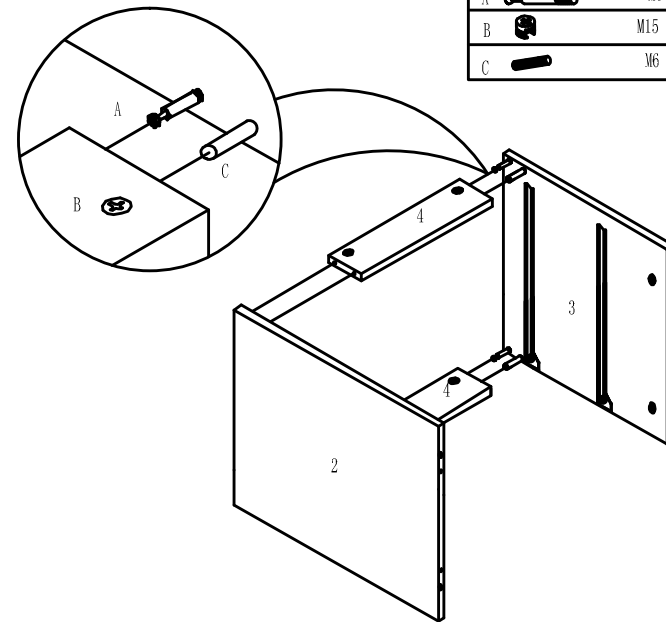
STEP 1

HARDWARE LIST	
F	M3.5 8PCS
J	4PCS



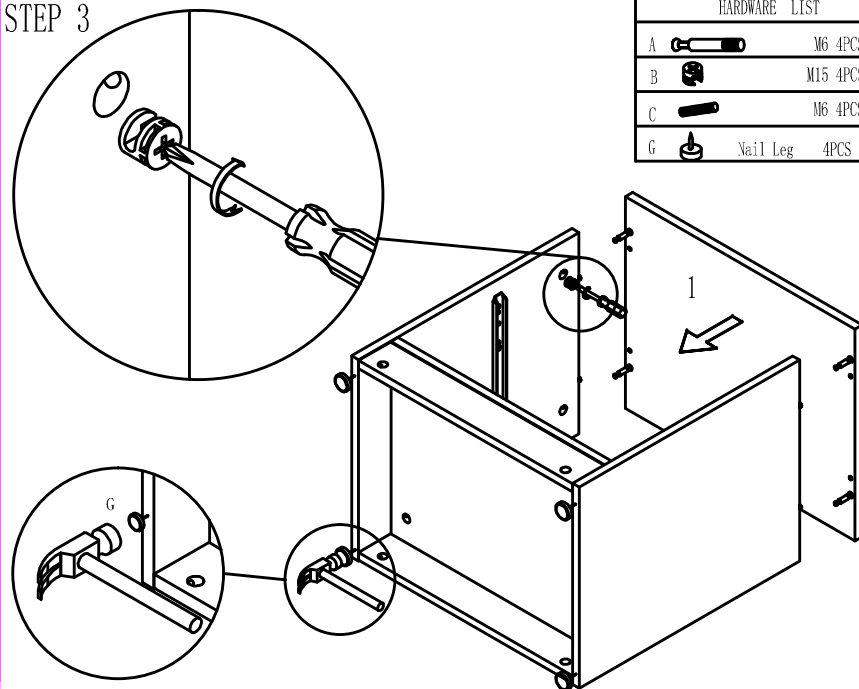
STEP 2

HARDWARE LIST	
A	M6 4PCS
B	M15 4PCS
C	M6 4PCS



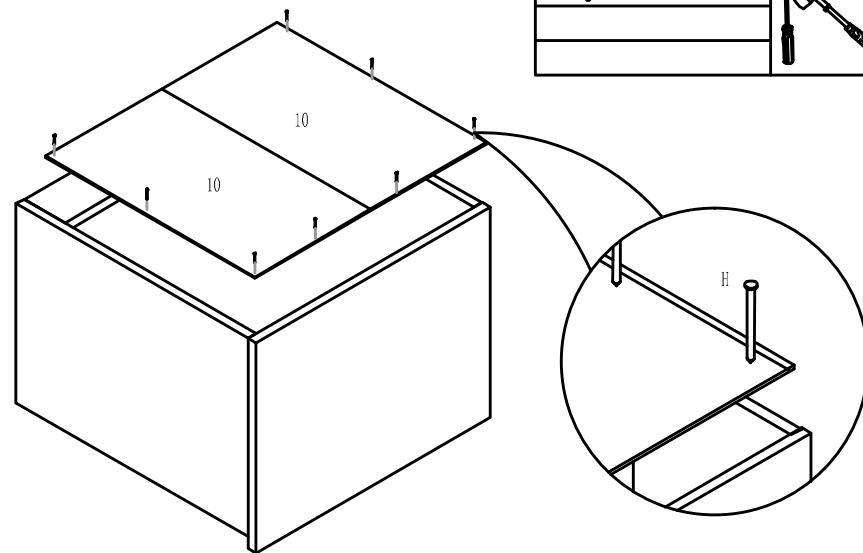
STEP 3

HARDWARE LIST	
A	M6 4PCS
B	M15 4PCS
C	M6 4PCS
G	Nail Leg 4PCS

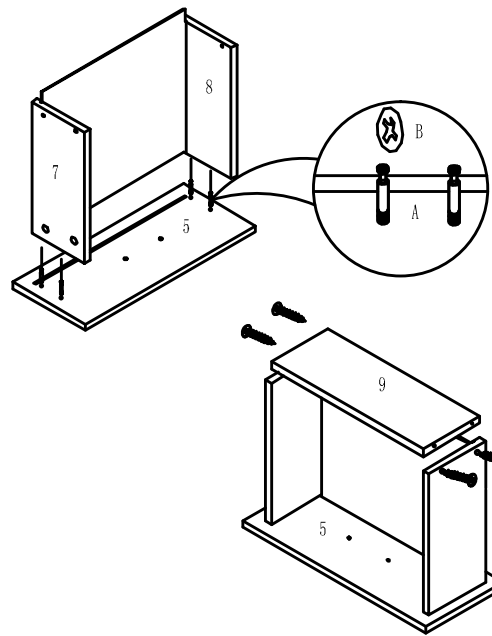


STEP 4

HARDWARE LIST	
H	M1 18PCS

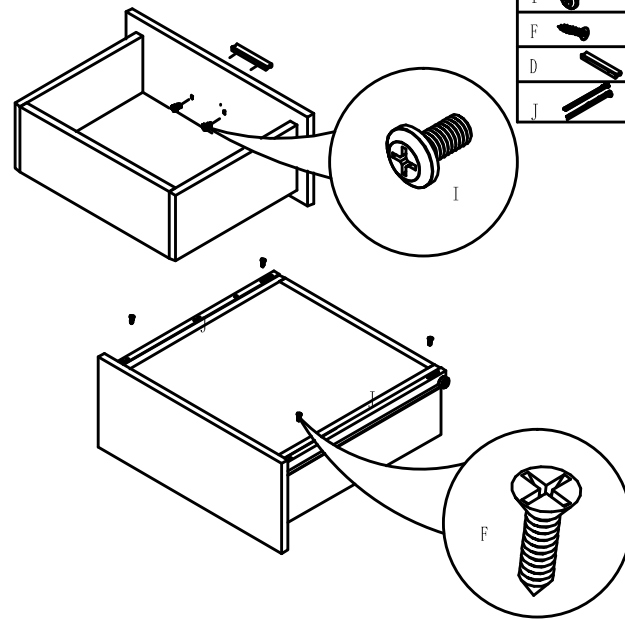


STEP 5



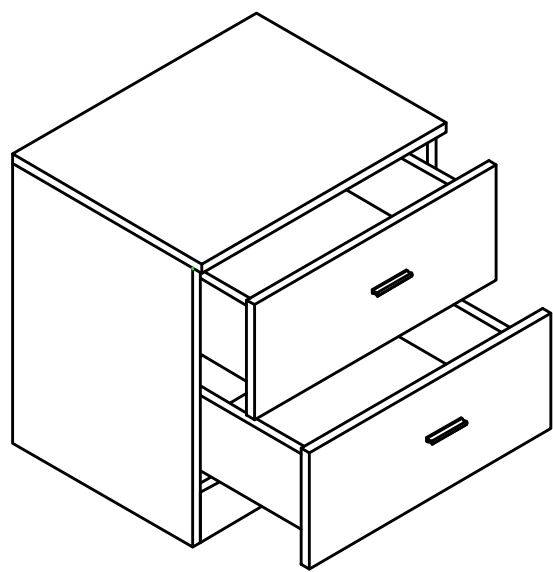
HARDWARE LIST	
A	M6 8PCS
B	M15 8PCS
E	M4.7 8PCS

STEP 6



HARDWARE LIST	
I	M4 4PCS
F	M3.5 8PCS
D	2PCS
J	4PCS

STEP 7



STEP 8

