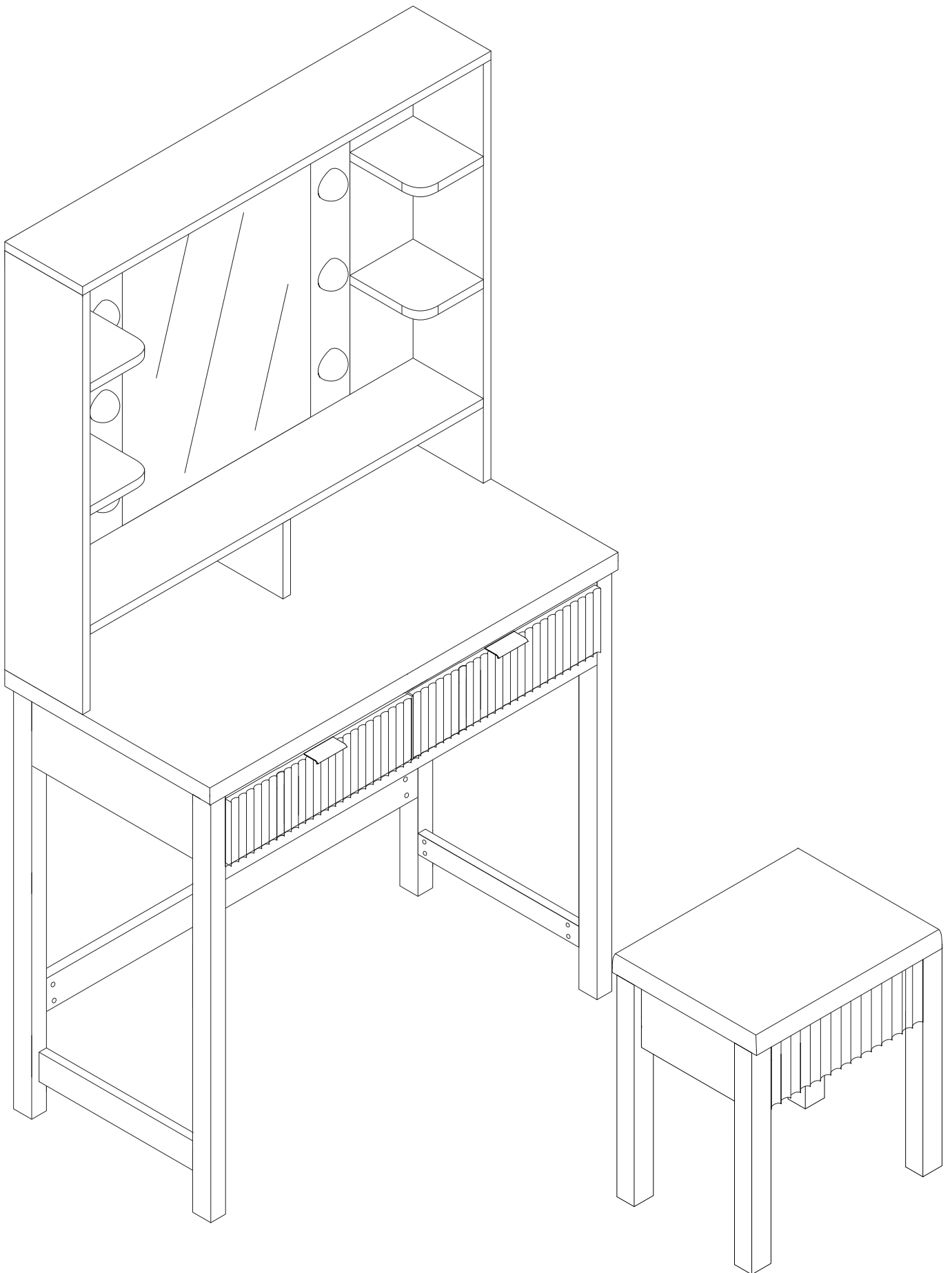


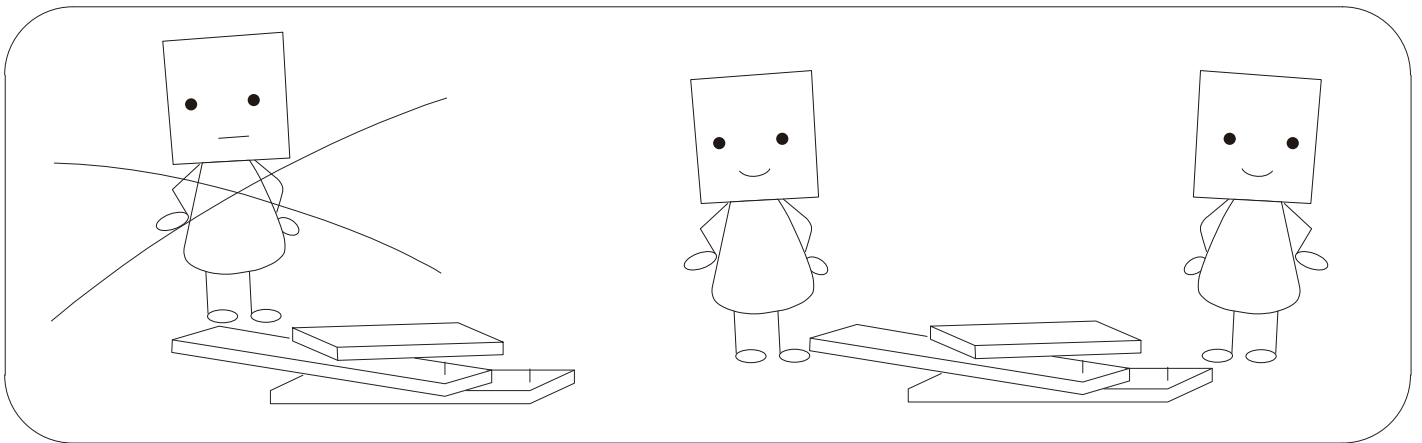
# ASSEMBLY INSTRUCTION



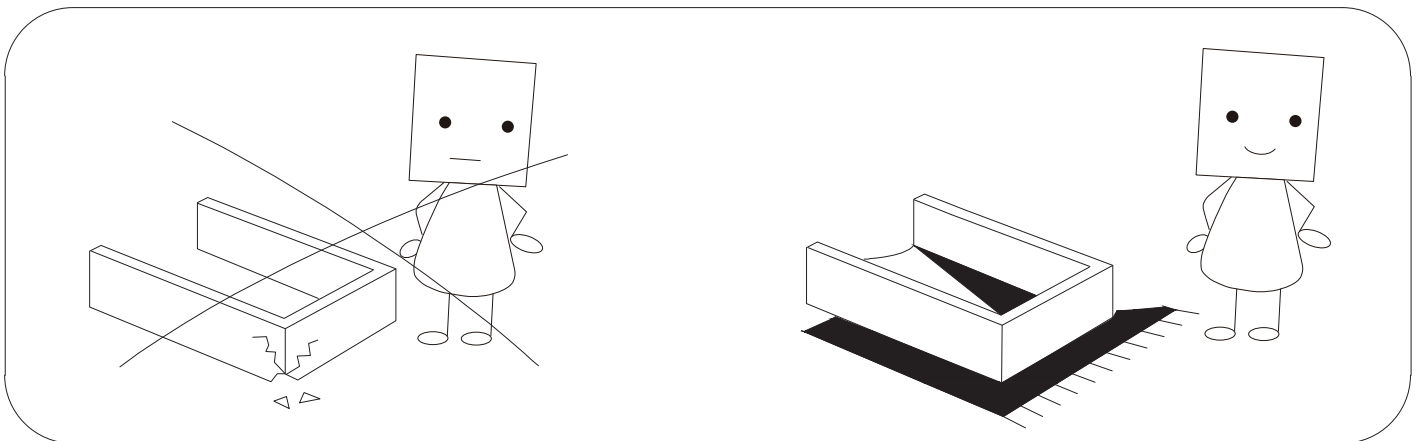


# WARNING

Need Two Or More People To Complete

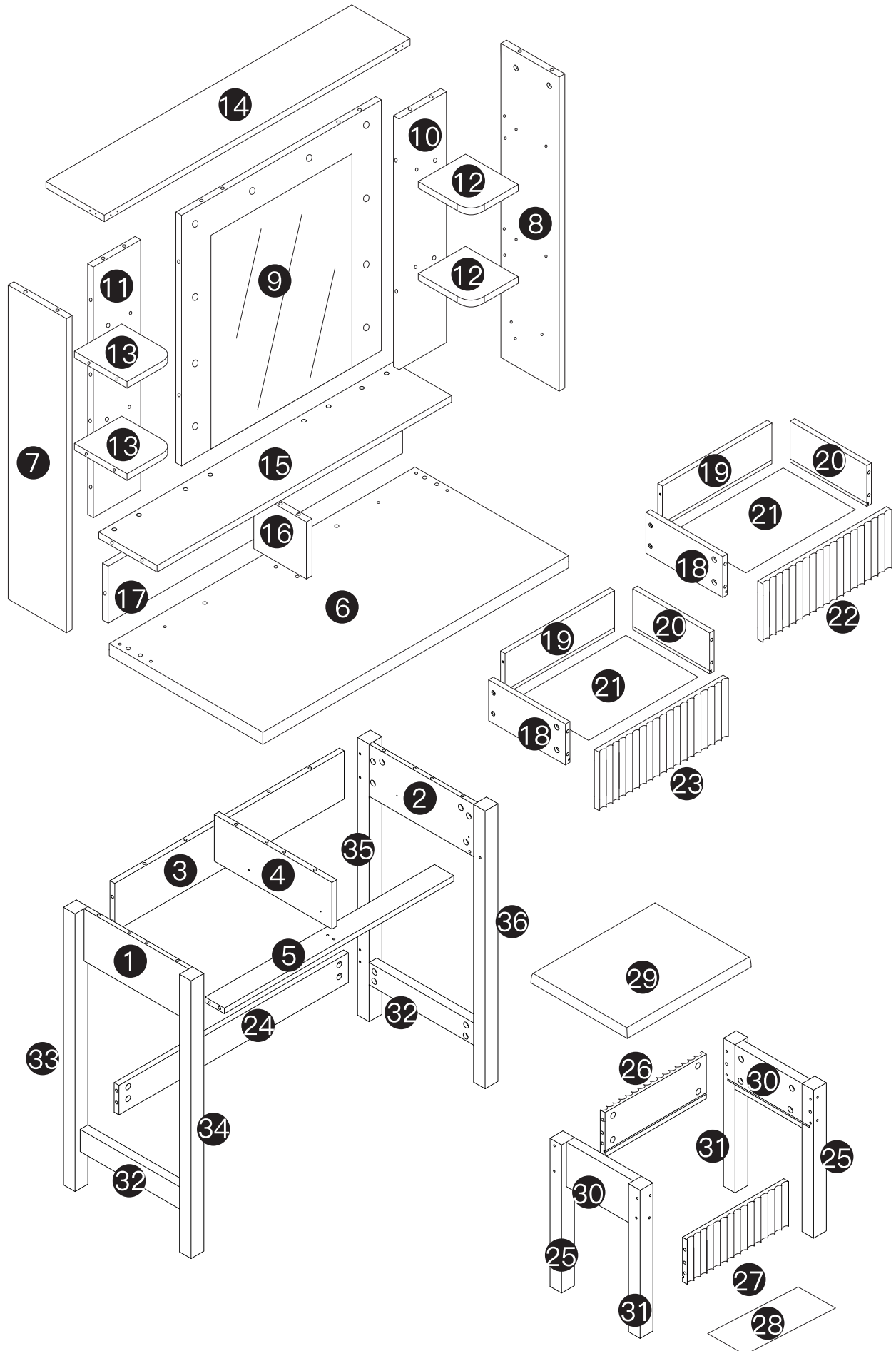


Assemble Item On a Clean Flat Surface



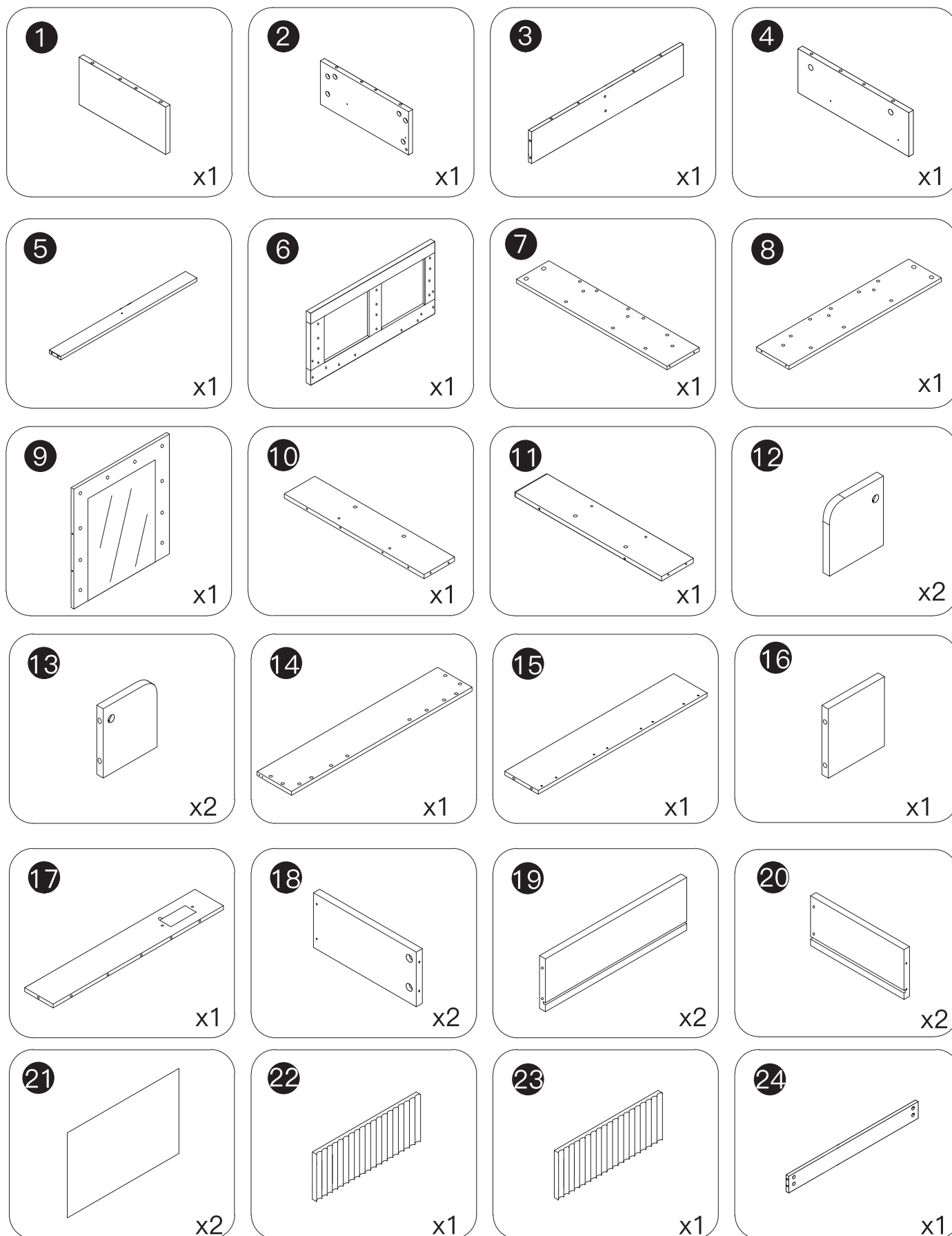
- Please check you have all hardware before assembling.
- Please ensure you have the name of the item and hardware part required and quantity.
- If you have any questions, please contact us by original purchase platform. we will reply you ASAP.
- For the safety of you and your family, it is necessary to install Anti-Tip Device Kit.

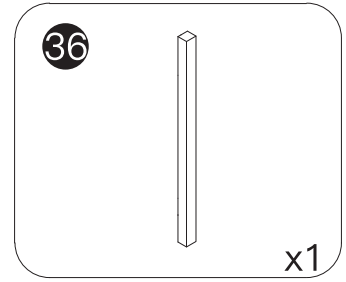
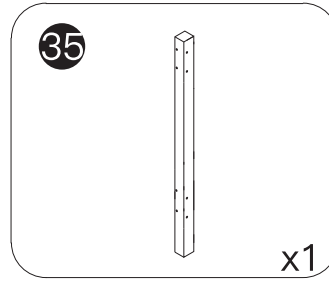
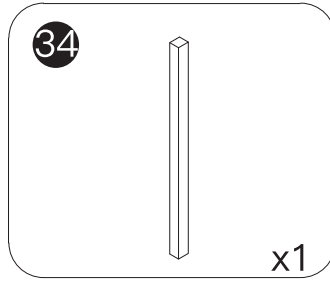
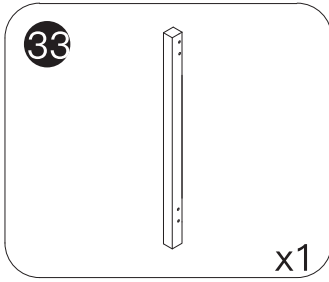
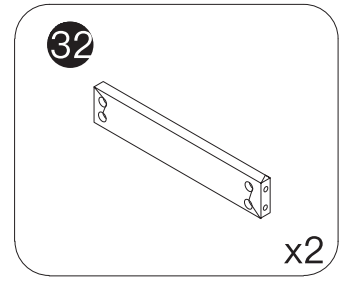
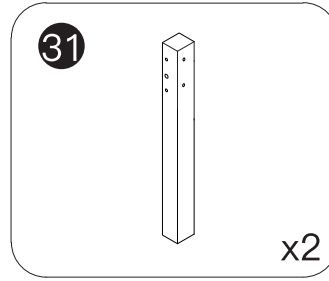
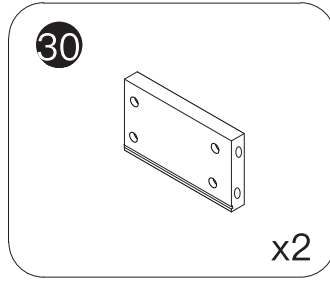
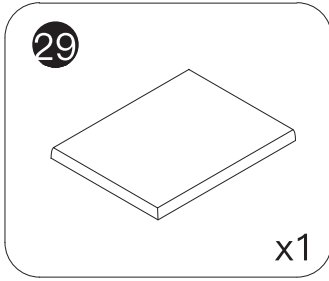
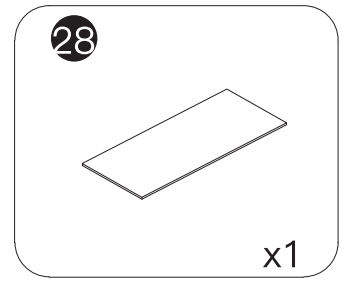
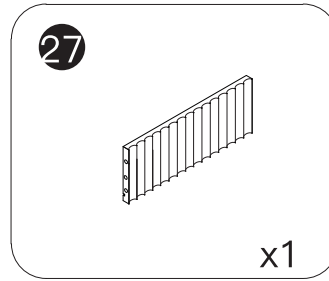
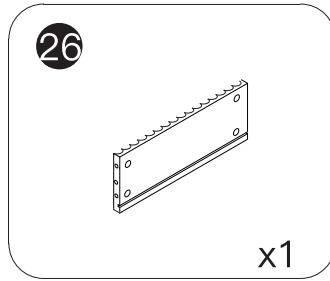
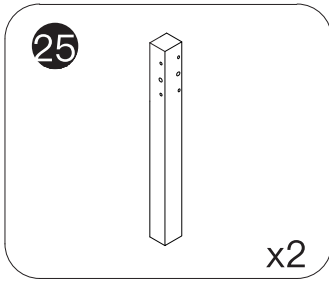
# EXPLODED DRAWING:

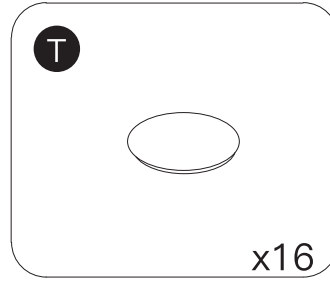
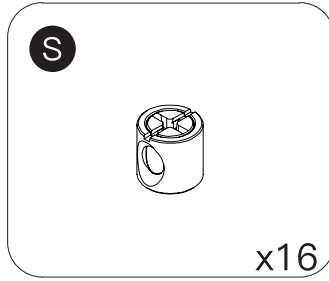
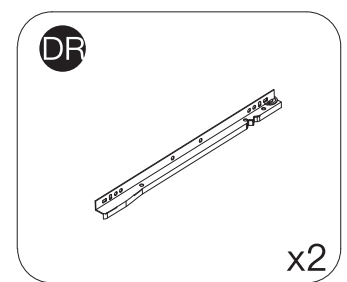
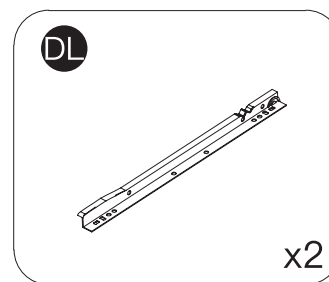
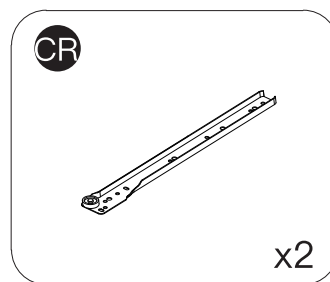
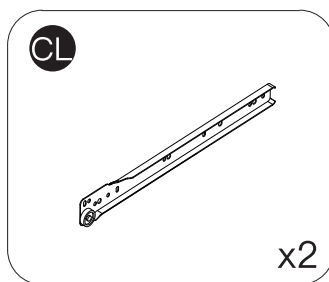
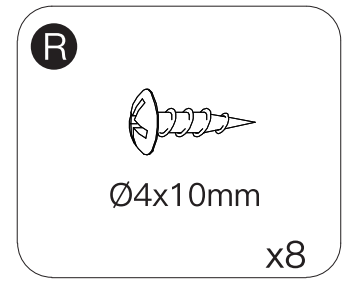
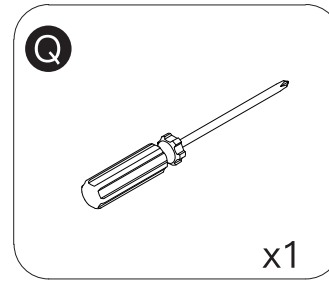
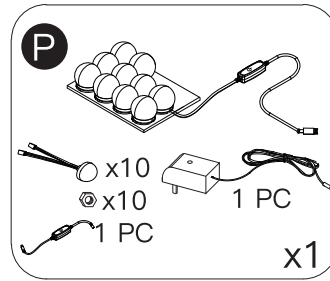
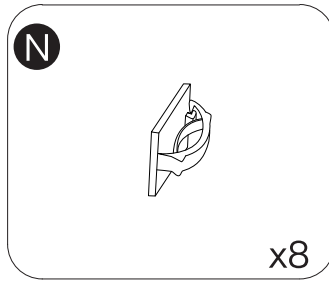
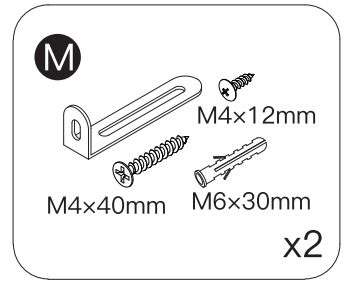
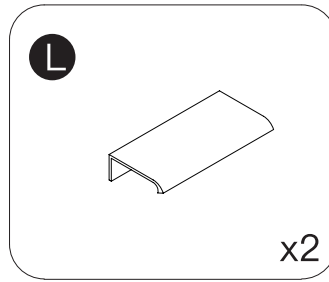
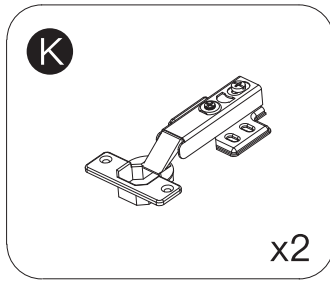
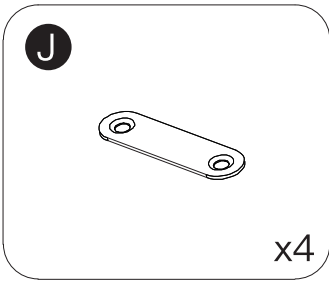
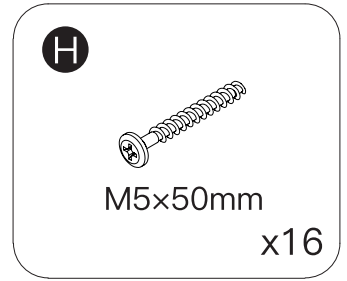
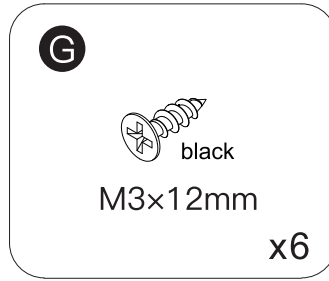
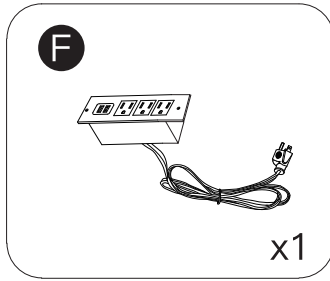
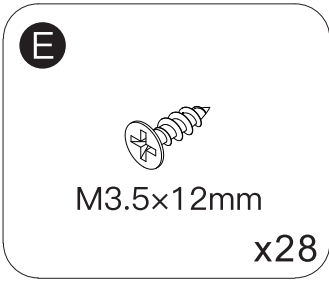
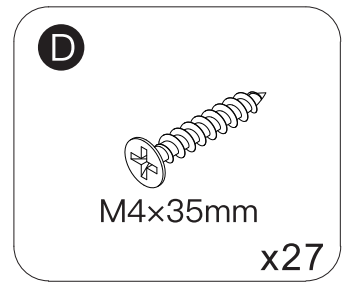
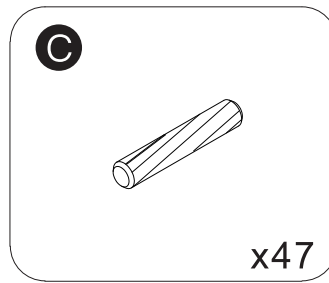
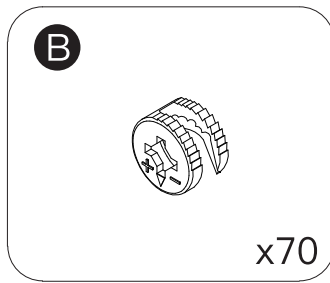
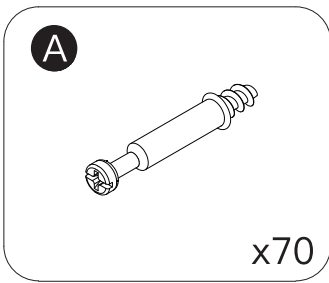


Please check all parts and accessories according to the parts list before assembling, make sure all contents are sufficient and in good condition. If there is any parts missing or defective, please contact us with purchase platform message immediately to get replacement parts.

## PARTS:





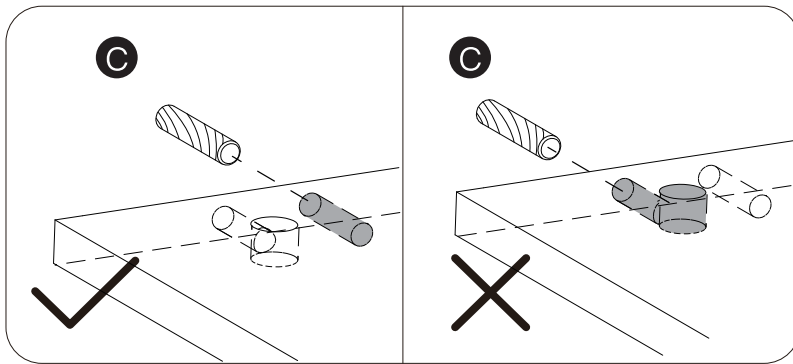


# HOW TO INSTALL

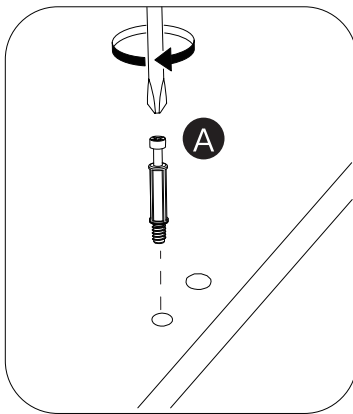
## NOTICE:

1. Use electric drill for easier installation experience.
2. Please drive the screws in pre-drilled holes.
3. Please strictly follow the instruction and diagram in every step.
4. Make sure every part is on the right position, otherwise it may cause unnecessary problem.
5. Select the proper component via the label on every part while assembling.

## REMARK:



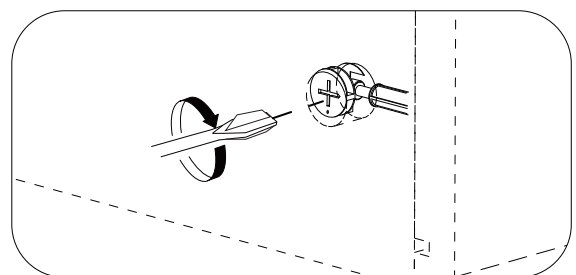
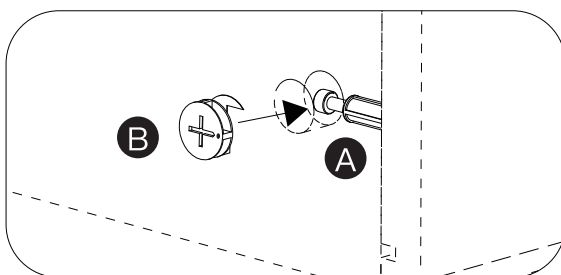
Avoid inserting part C into wrong holes.



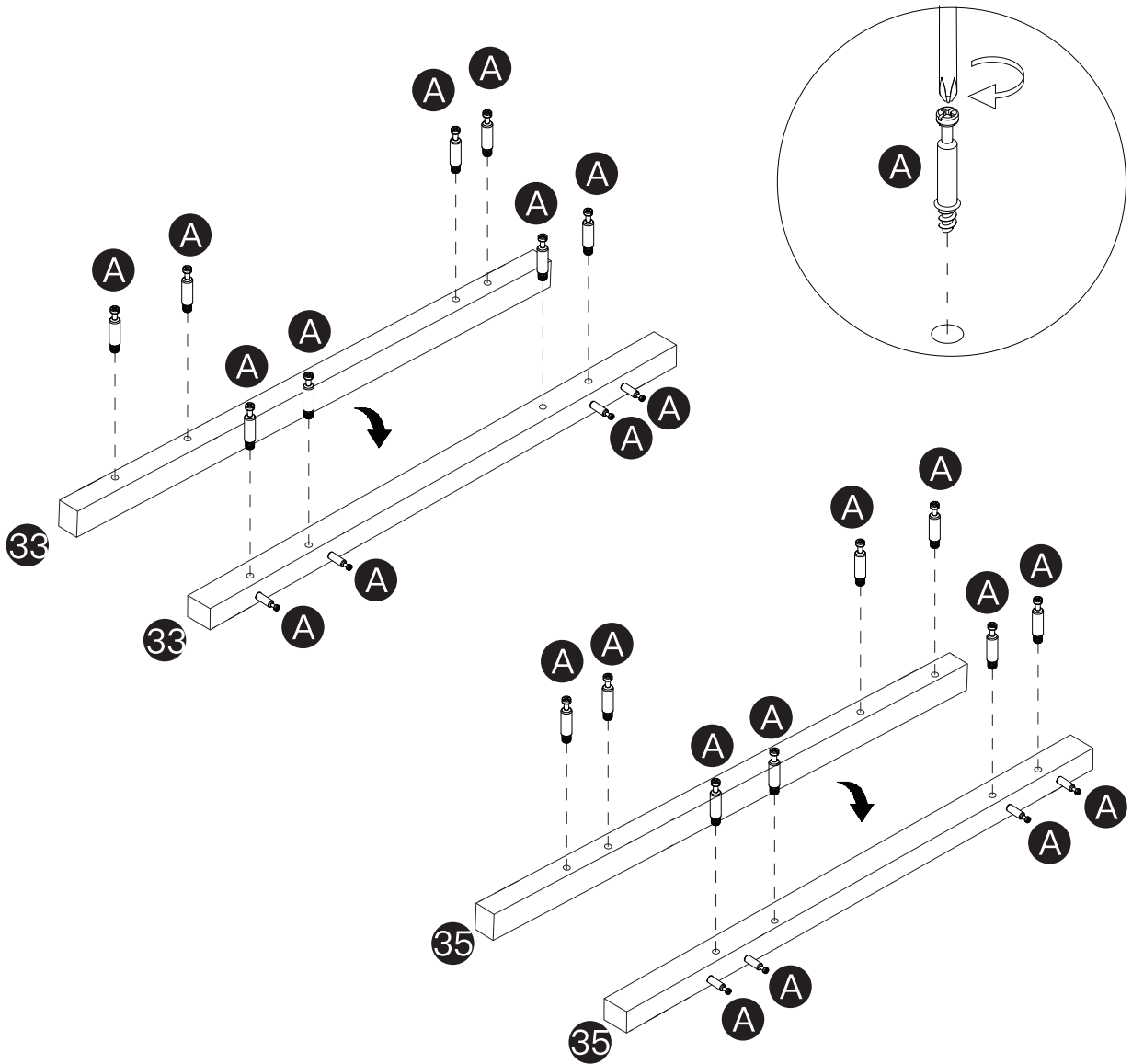
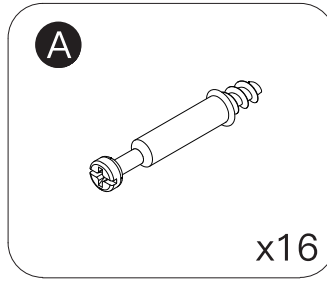
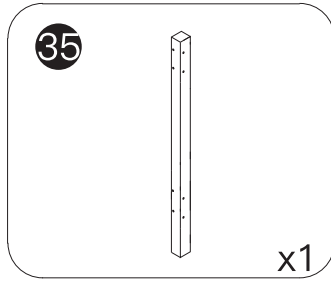
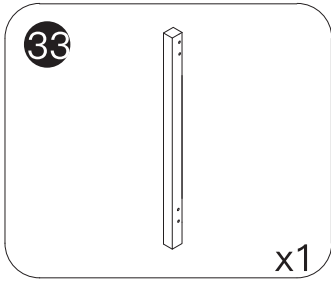
Part A must be installed into the holes with rubber nuts which are smaller than others.

Please ensure that part A is facing the direction of the gap of part B .

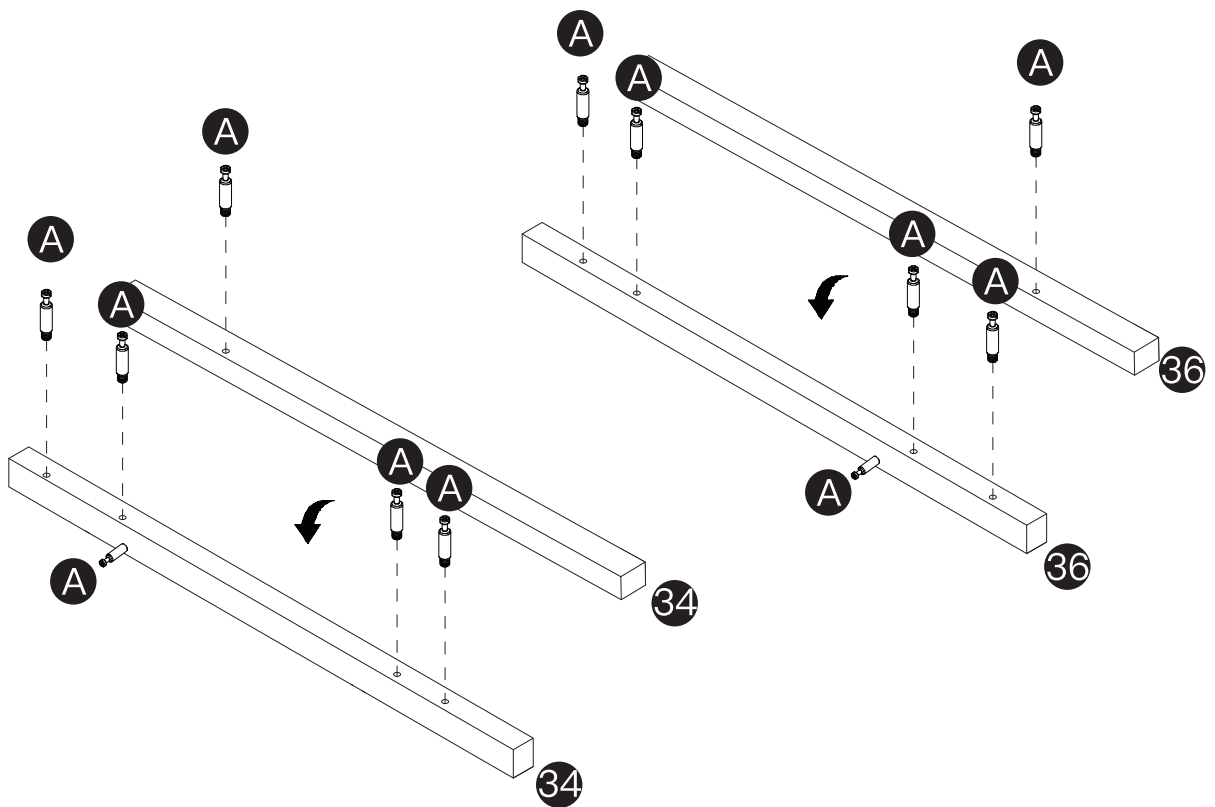
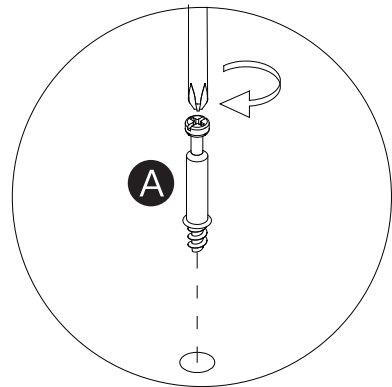
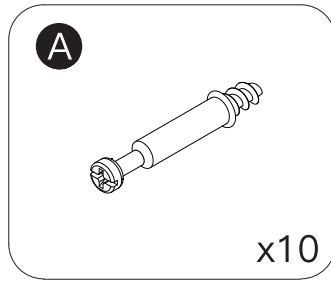
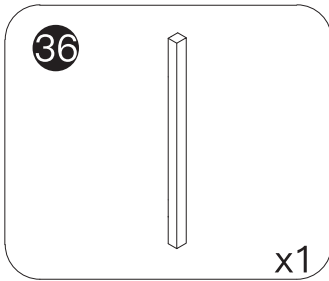
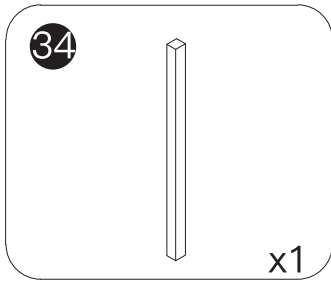
When locking part B, please make sure part A is fully inserted.



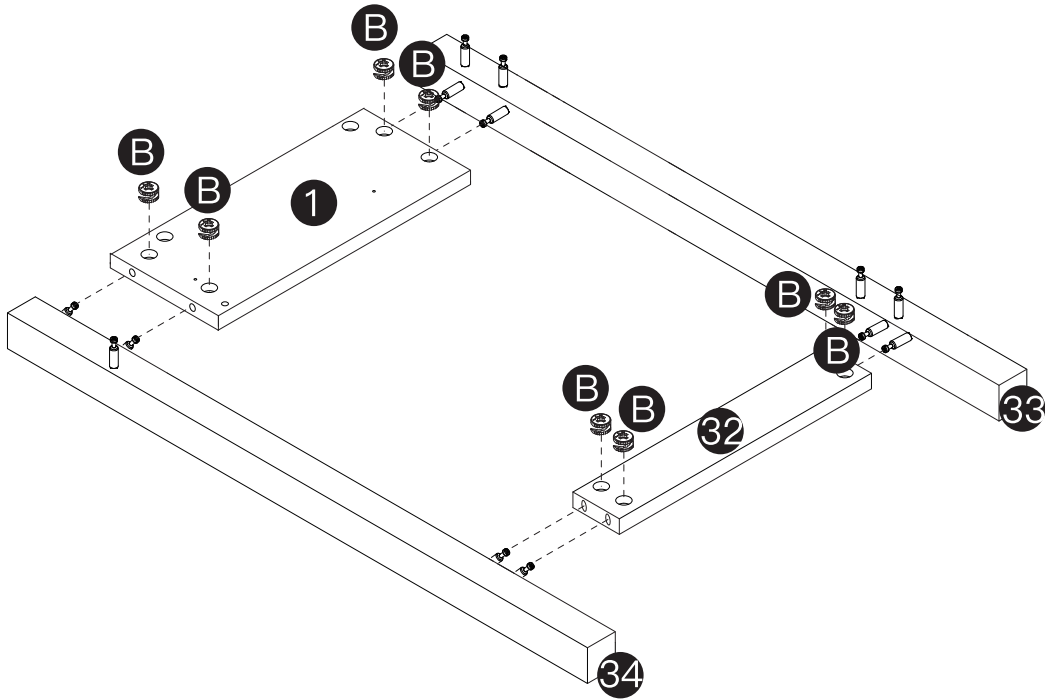
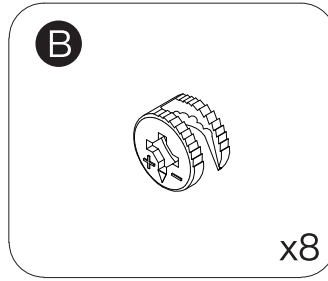
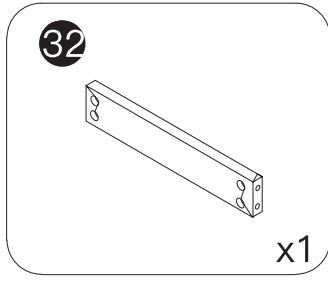
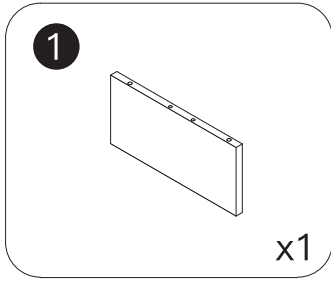
# STEP 1



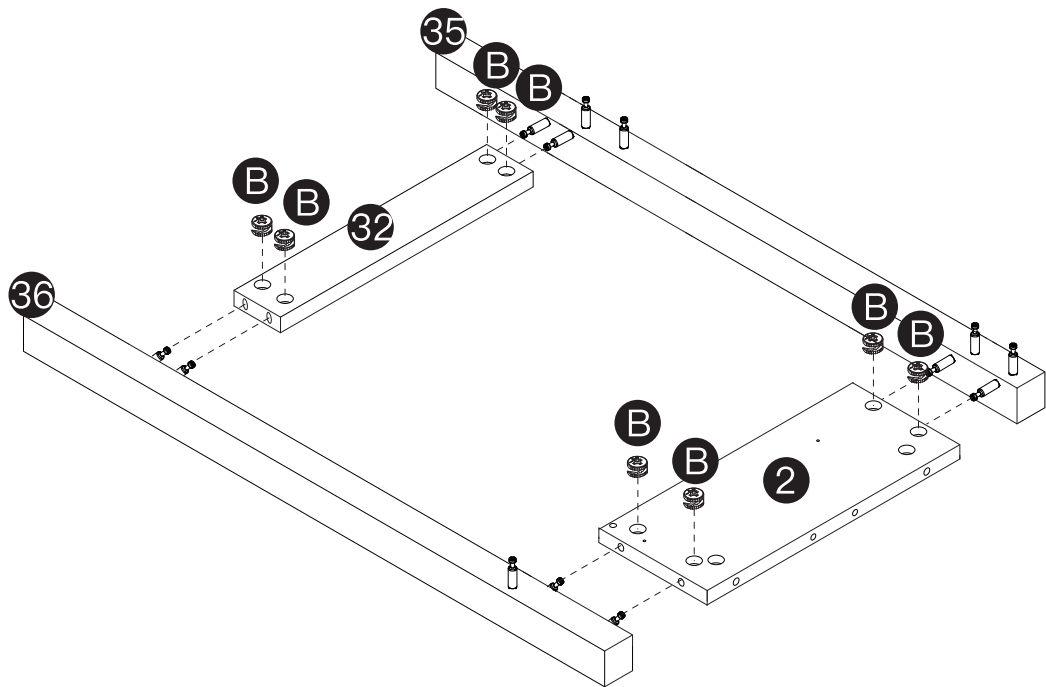
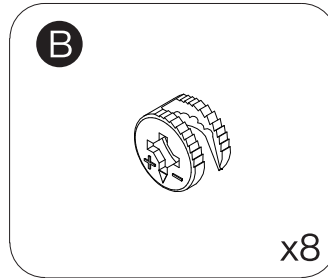
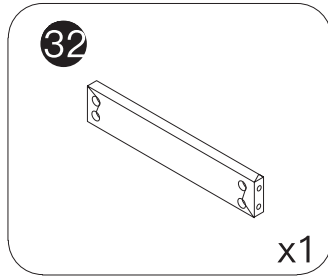
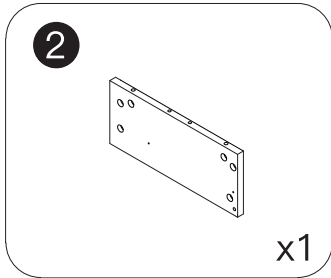
# STEP 2



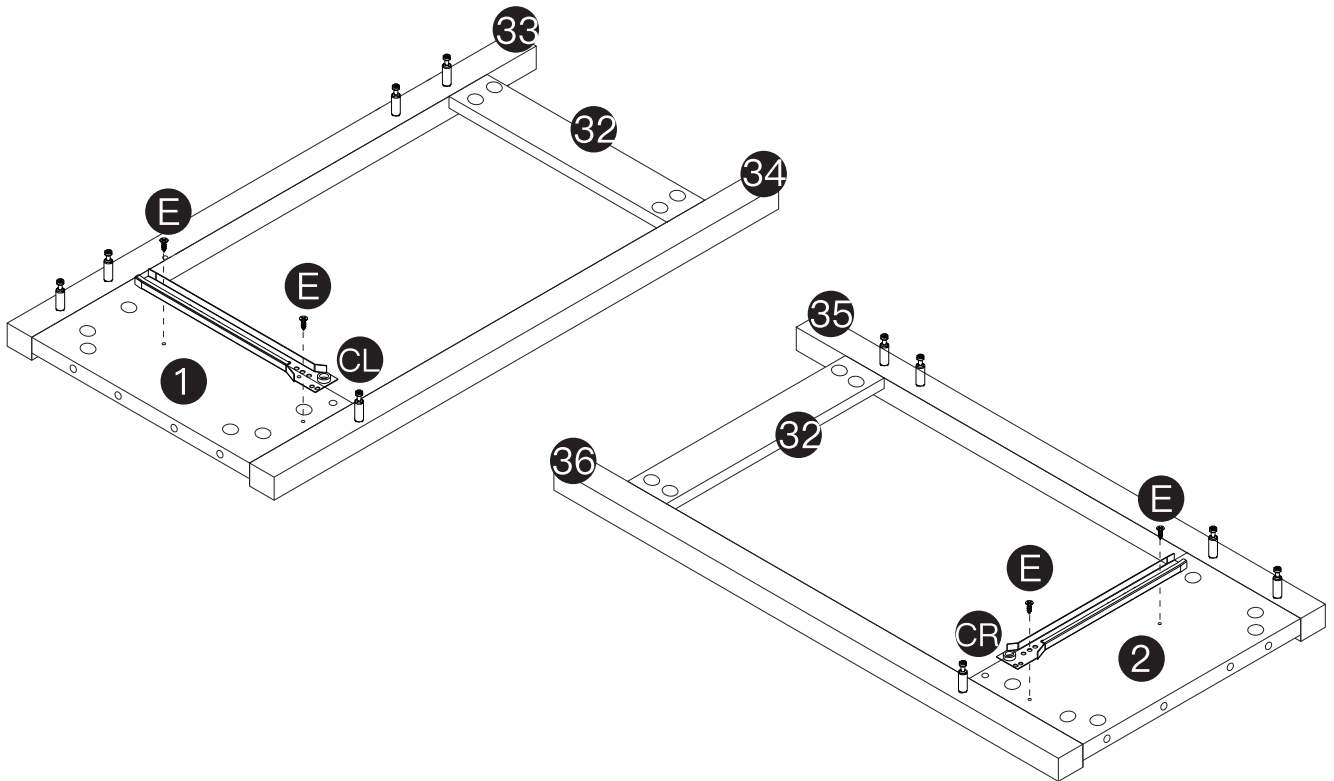
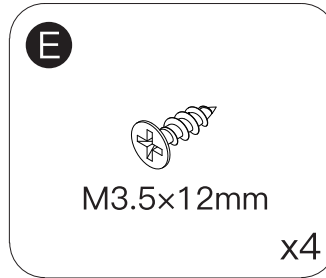
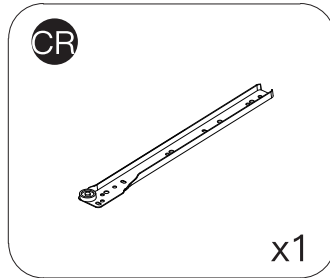
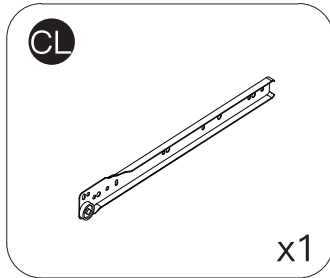
# STEP 3



# STEP 4



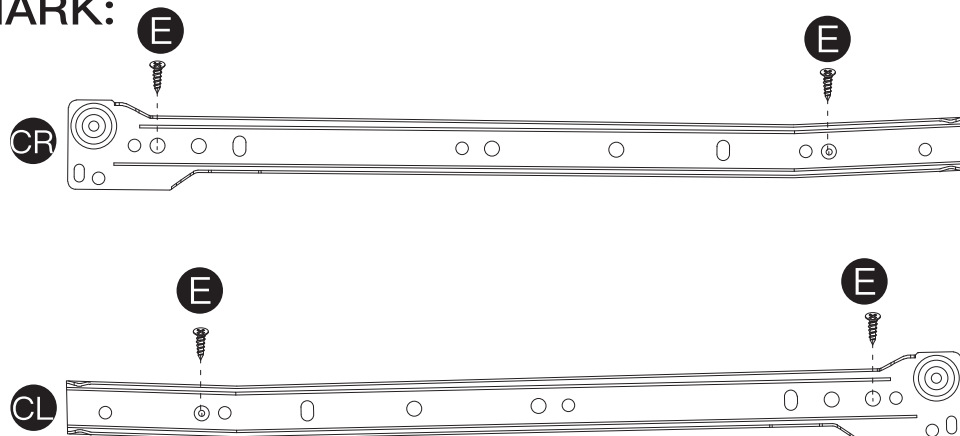
# STEP 5



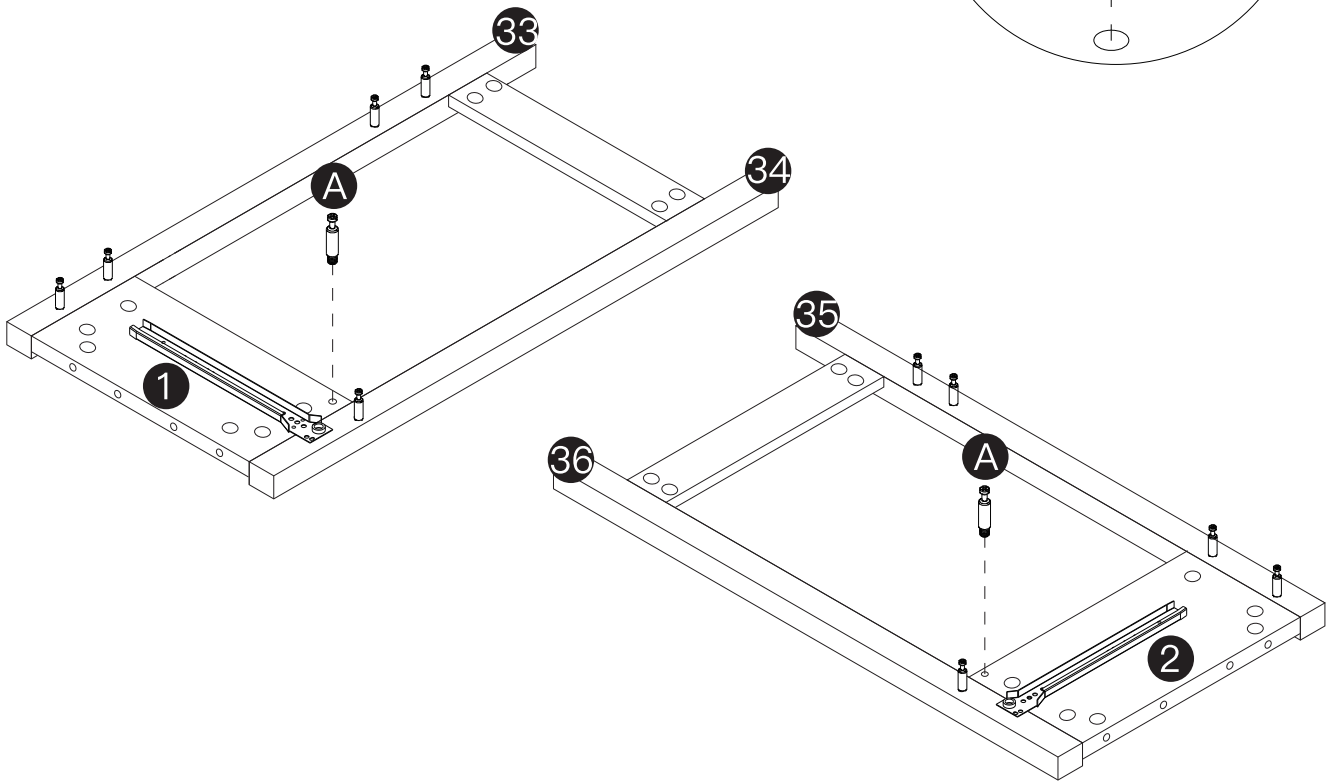
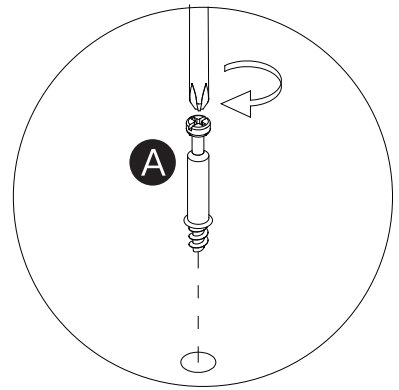
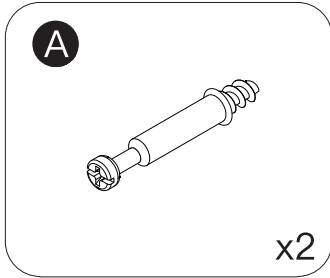
## NOTICE:

When installing part **E**, ensure it is aligned with the holes of parts **CR** and **CL**. Failure to do so may affect the installation of following drawers.

## REMARK:



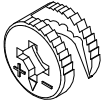
# STEP 6



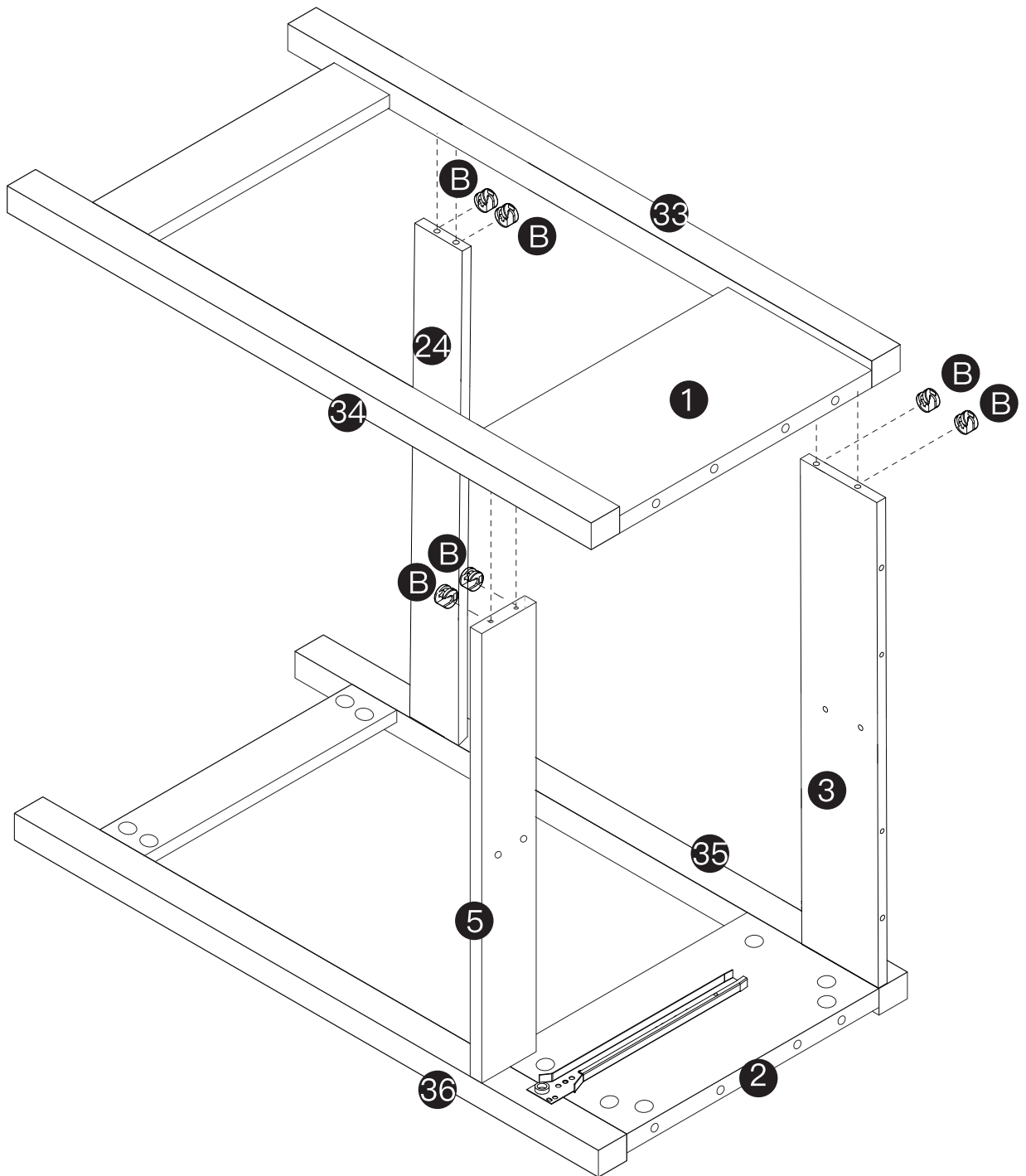


# STEP 8

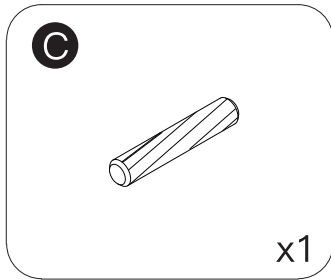
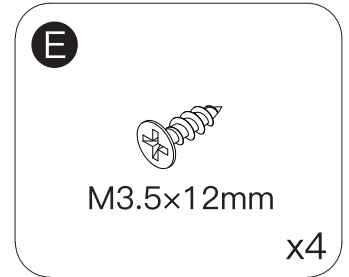
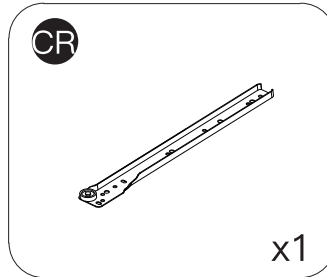
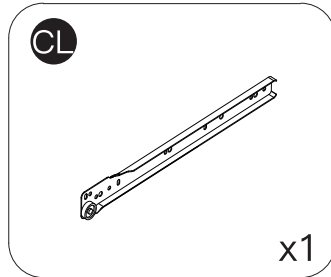
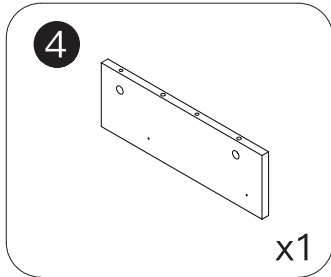
**B**



x6

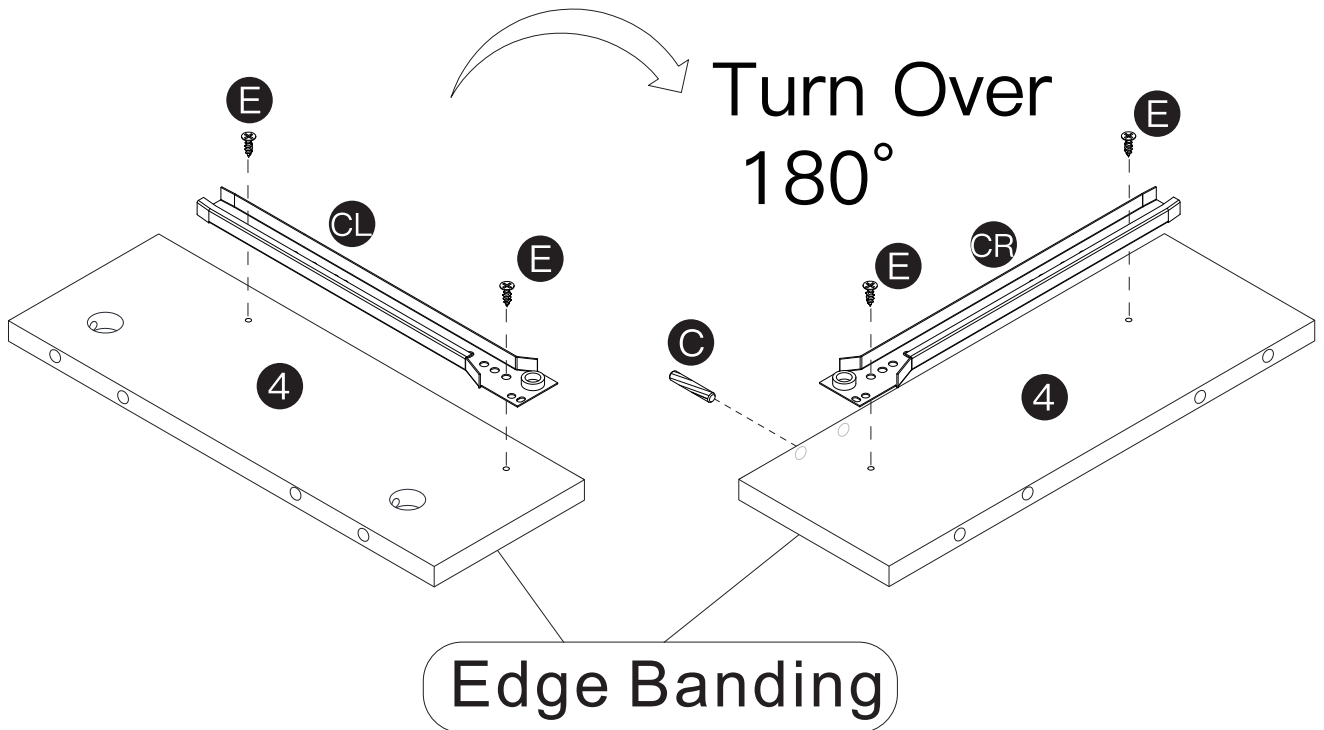


# STEP 9

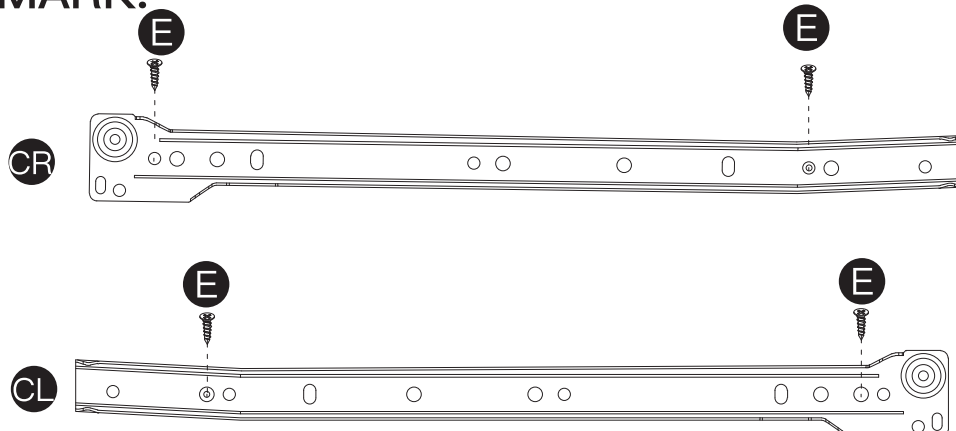


## NOTICE:

When installing part **E**, ensure it is aligned with the holes of parts **CR** and **CL**. Failure to do so may affect the installation of following drawers.

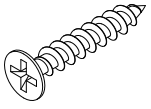


## REMARK:



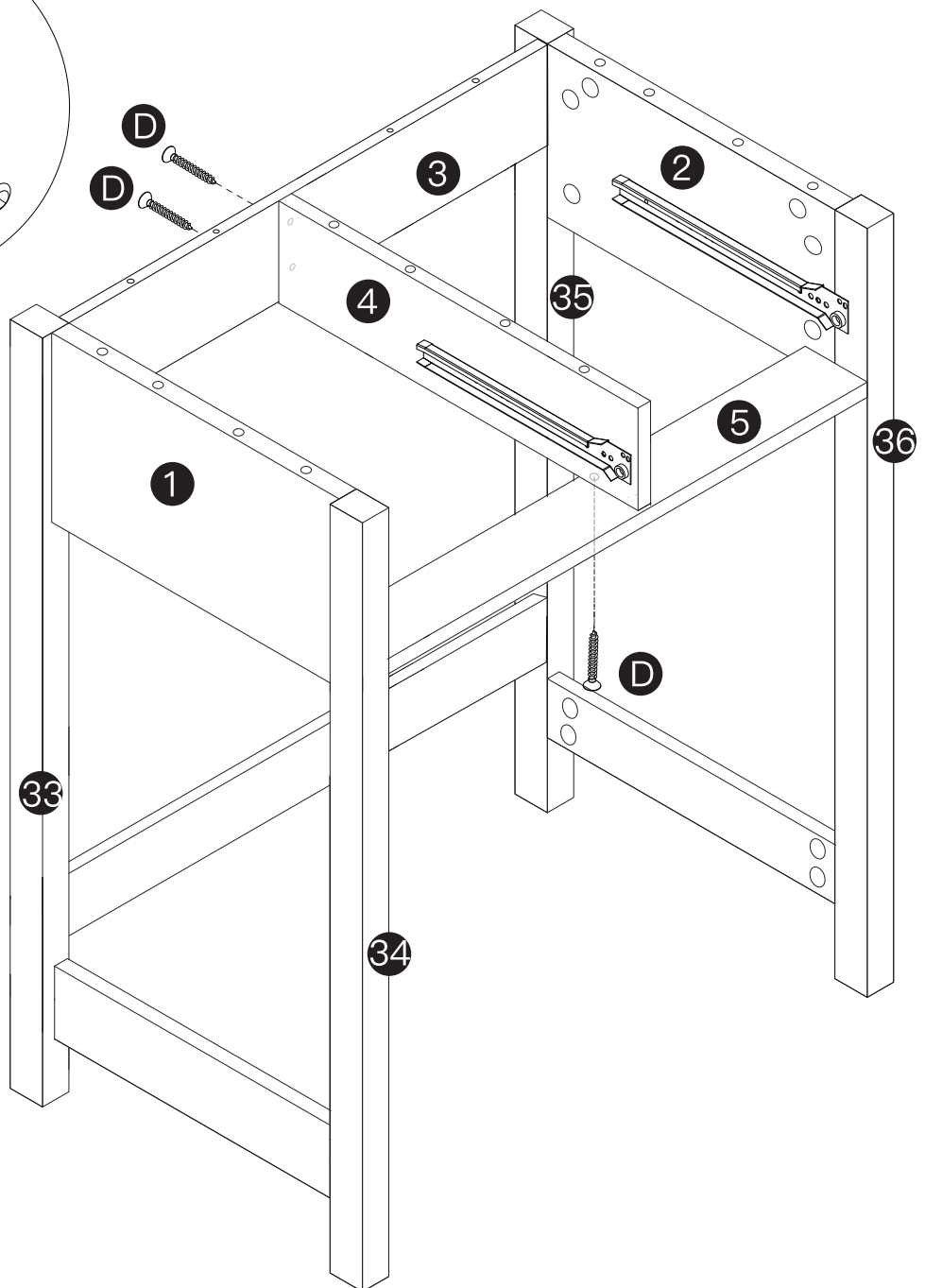
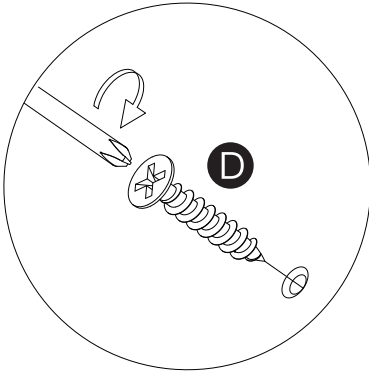
# STEP 10

D

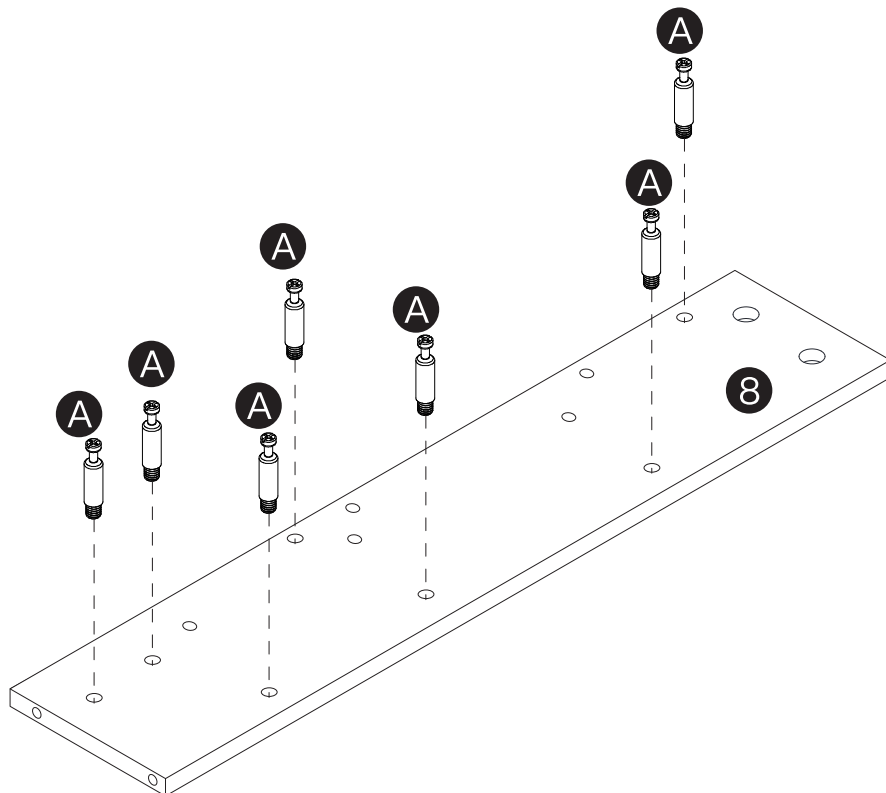
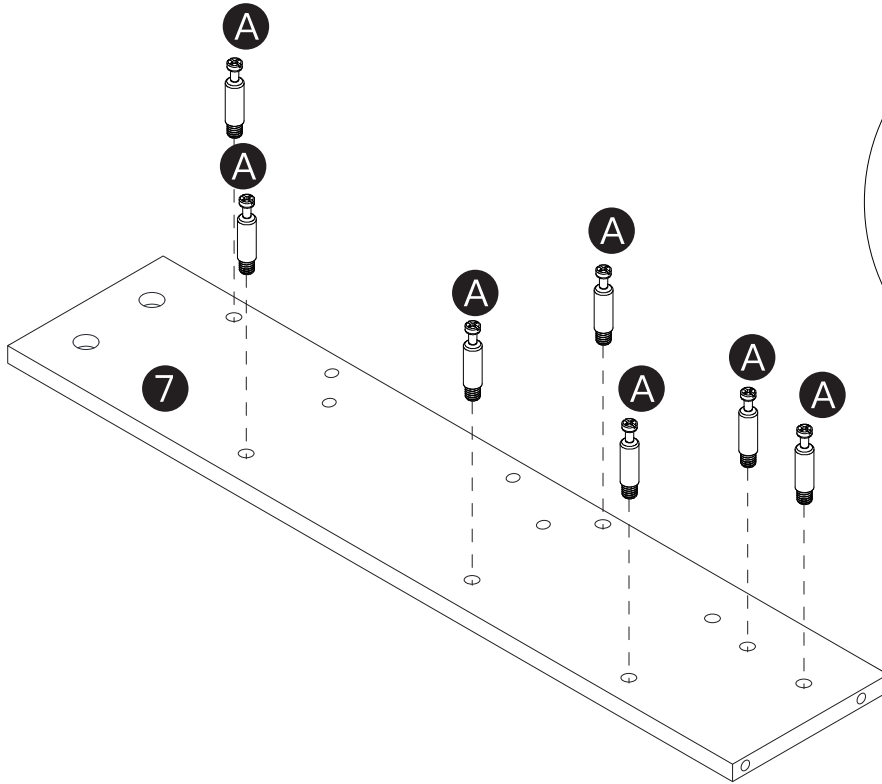
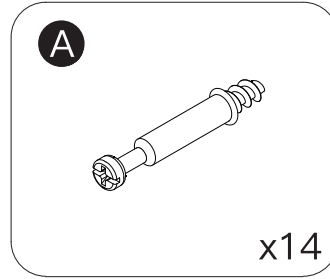
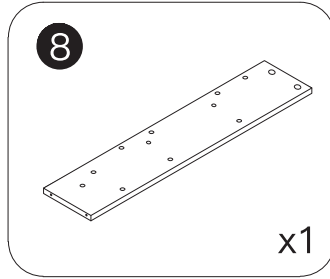
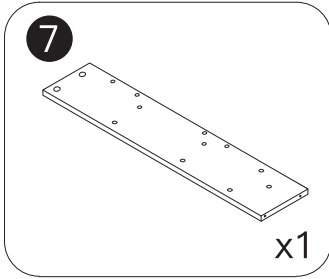


M4x35mm

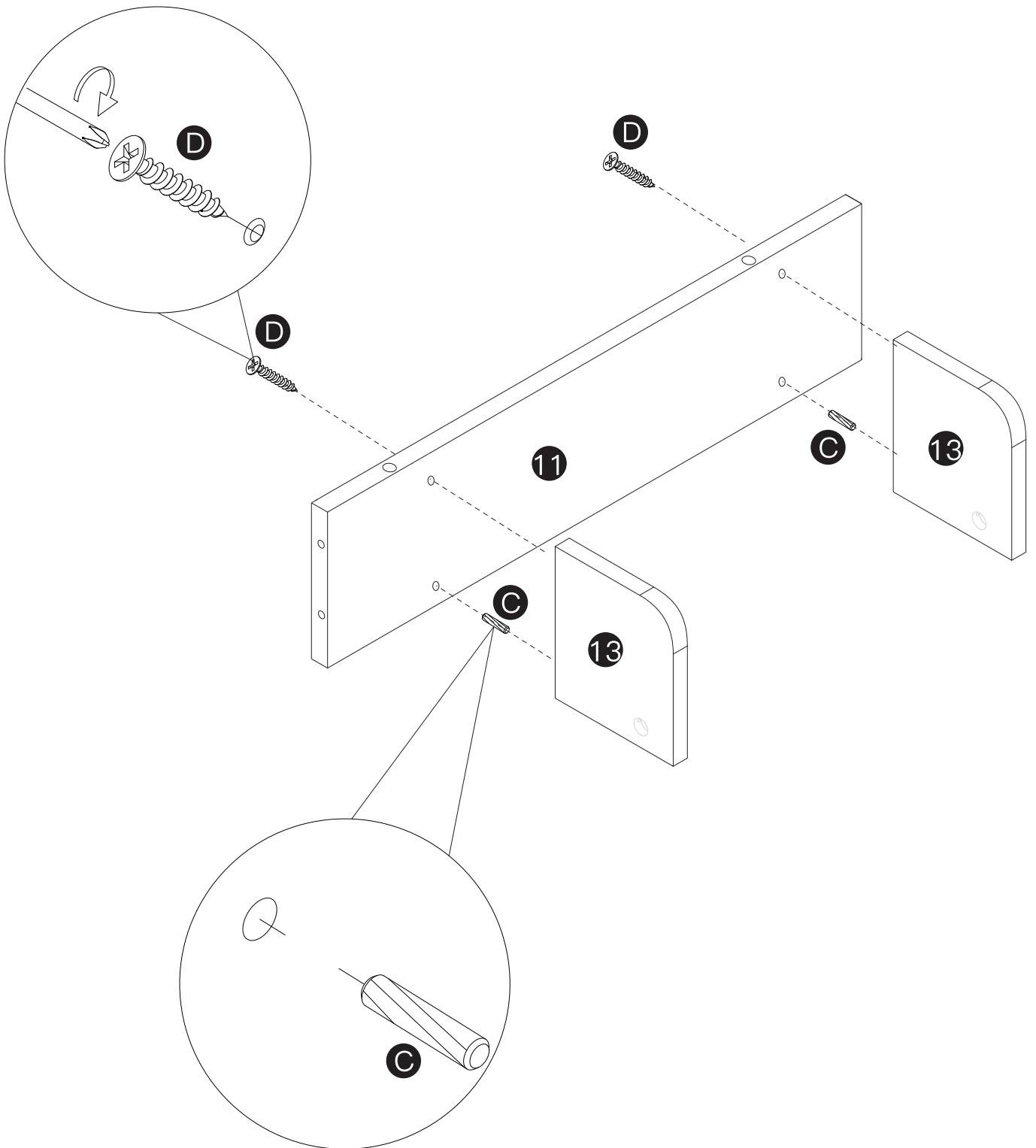
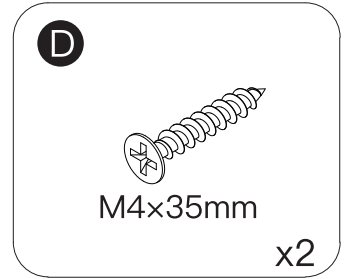
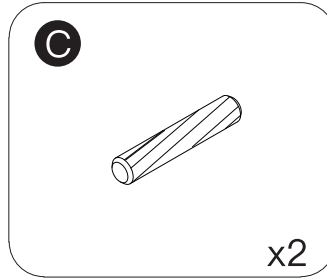
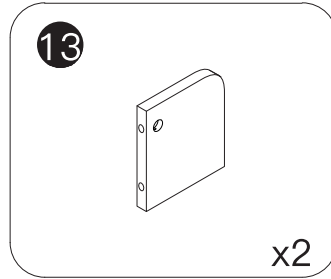
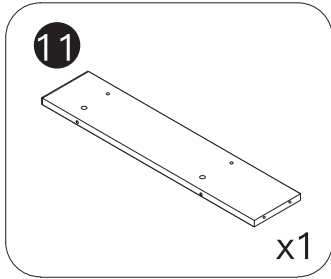
x3



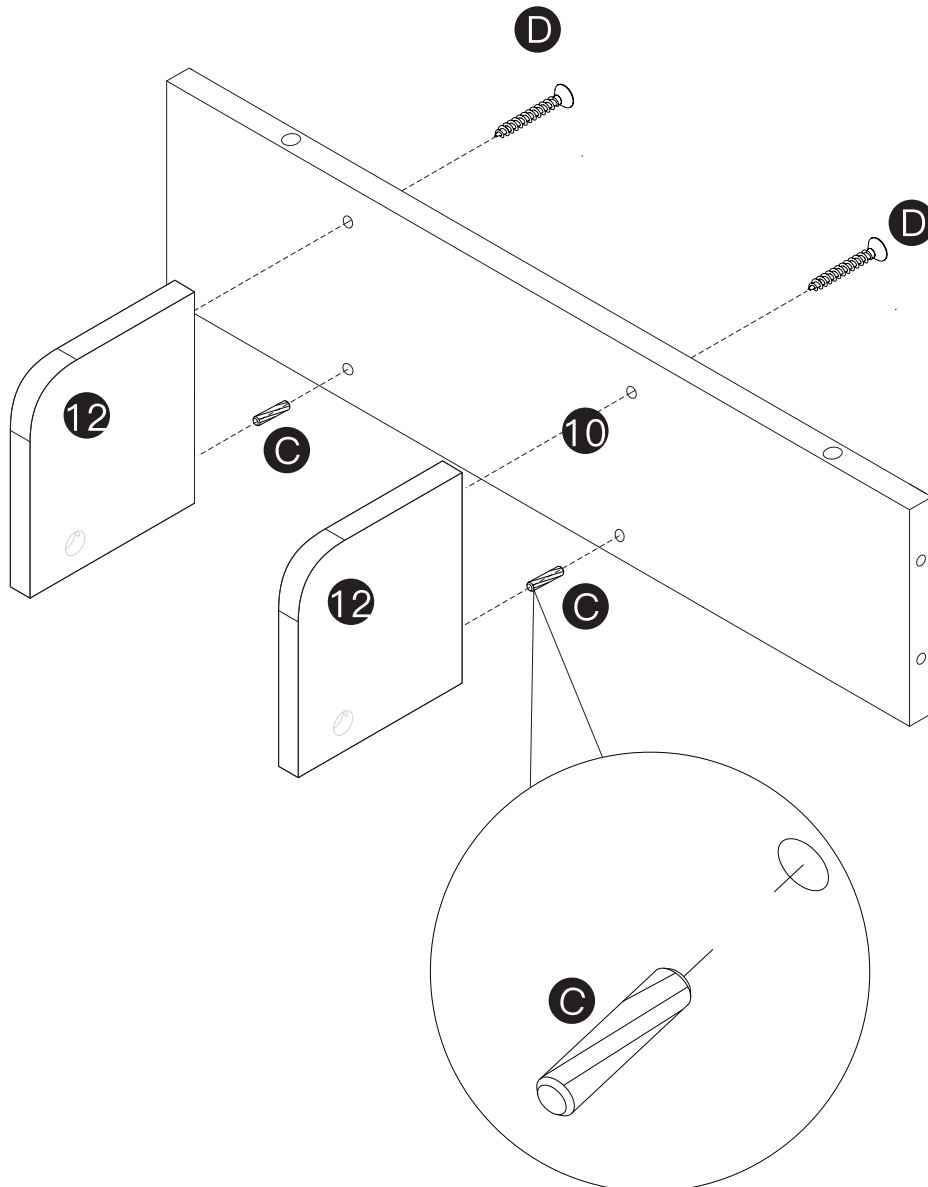
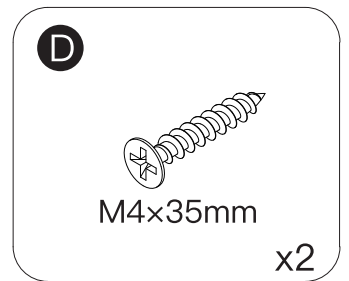
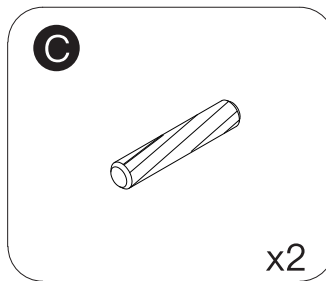
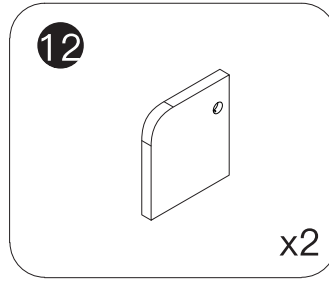
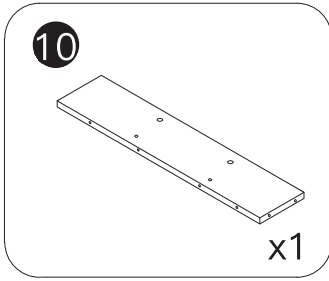
# STEP 11



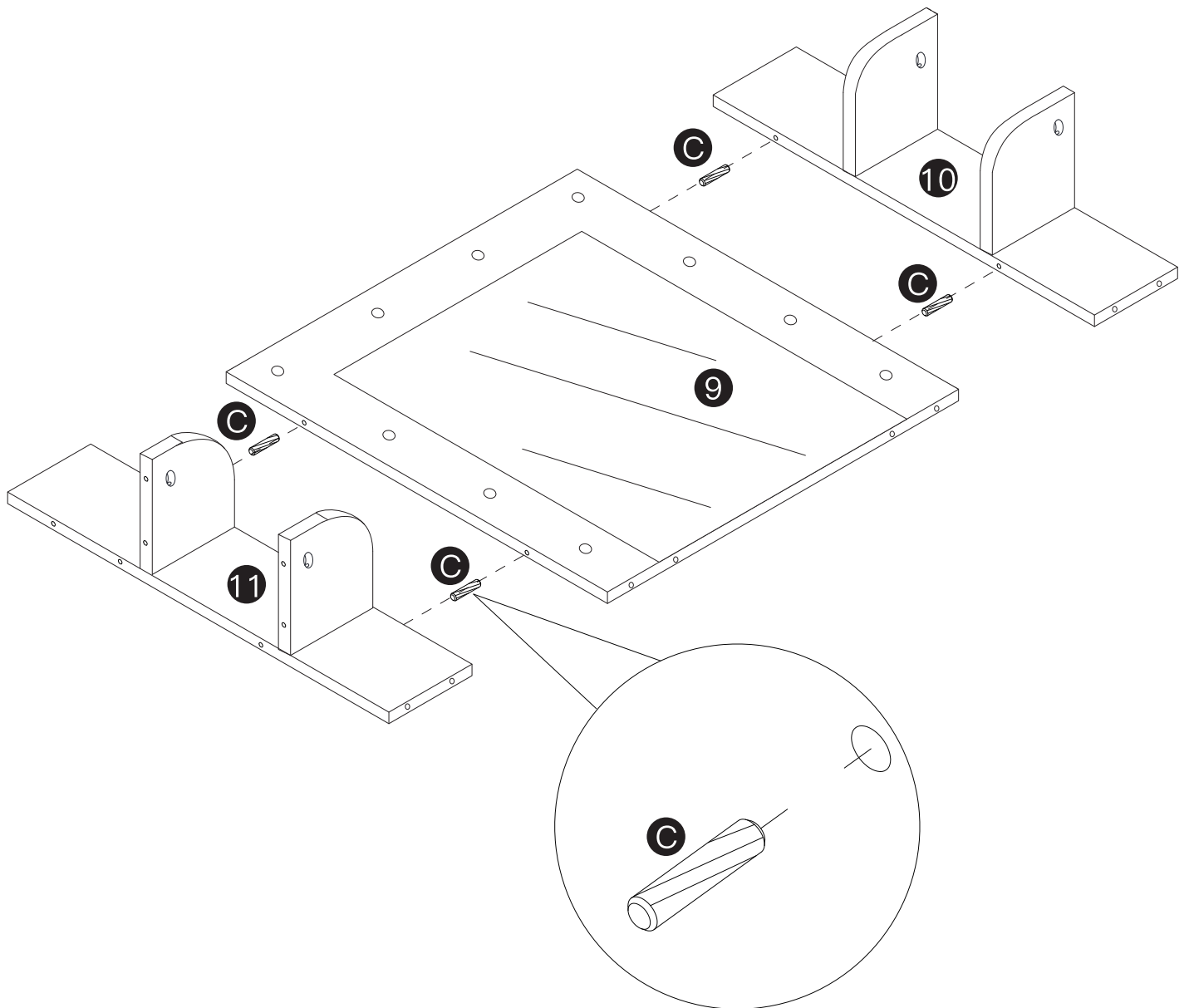
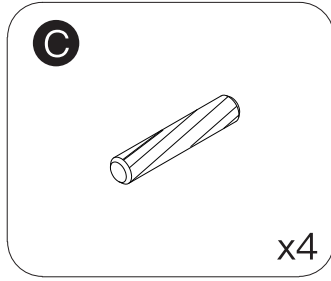
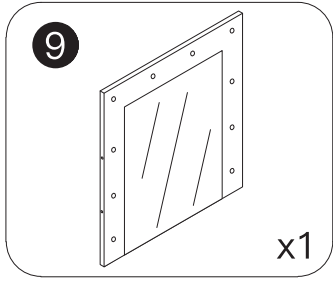
# STEP 12



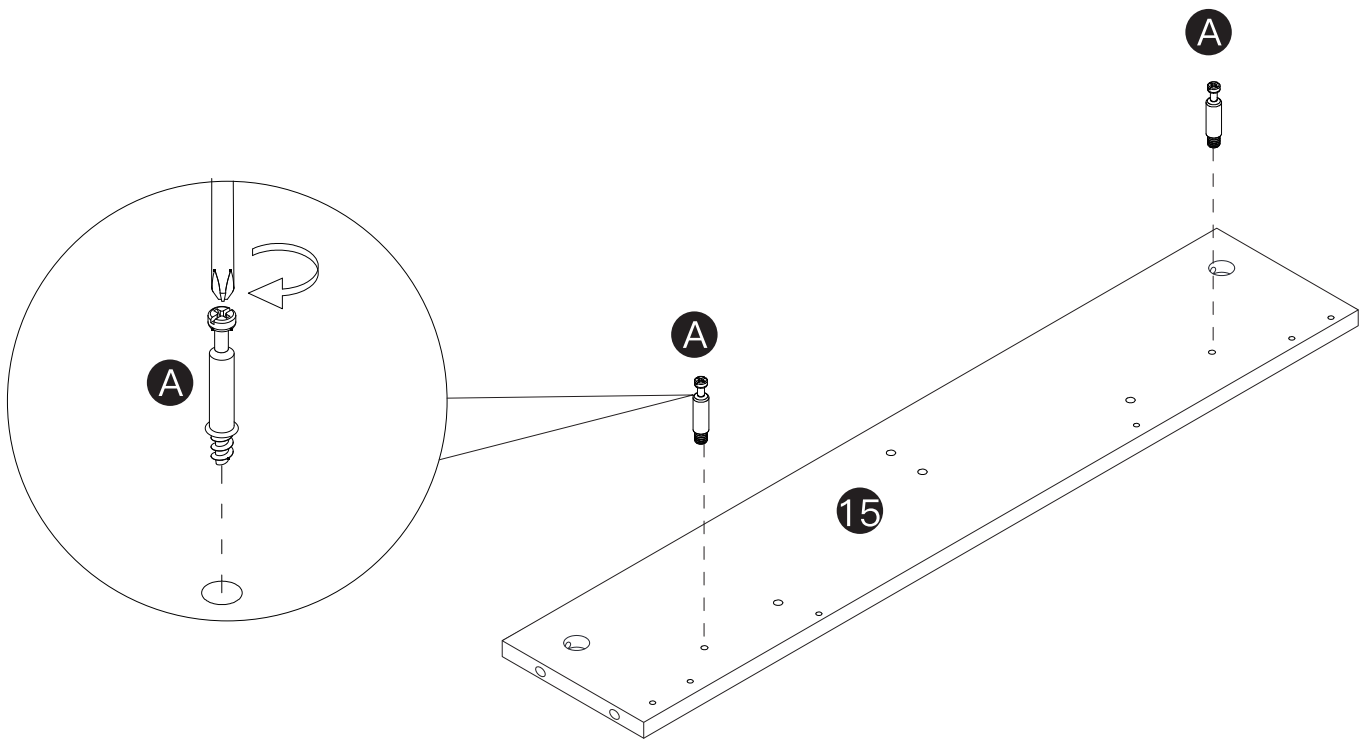
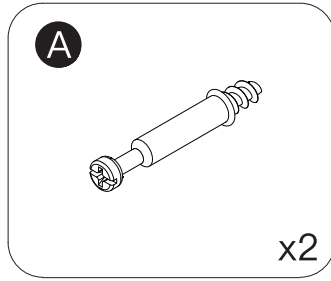
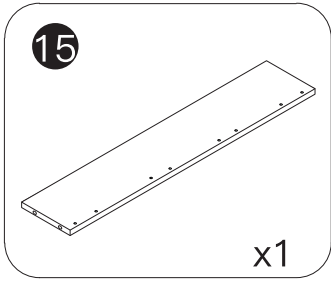
# STEP 13



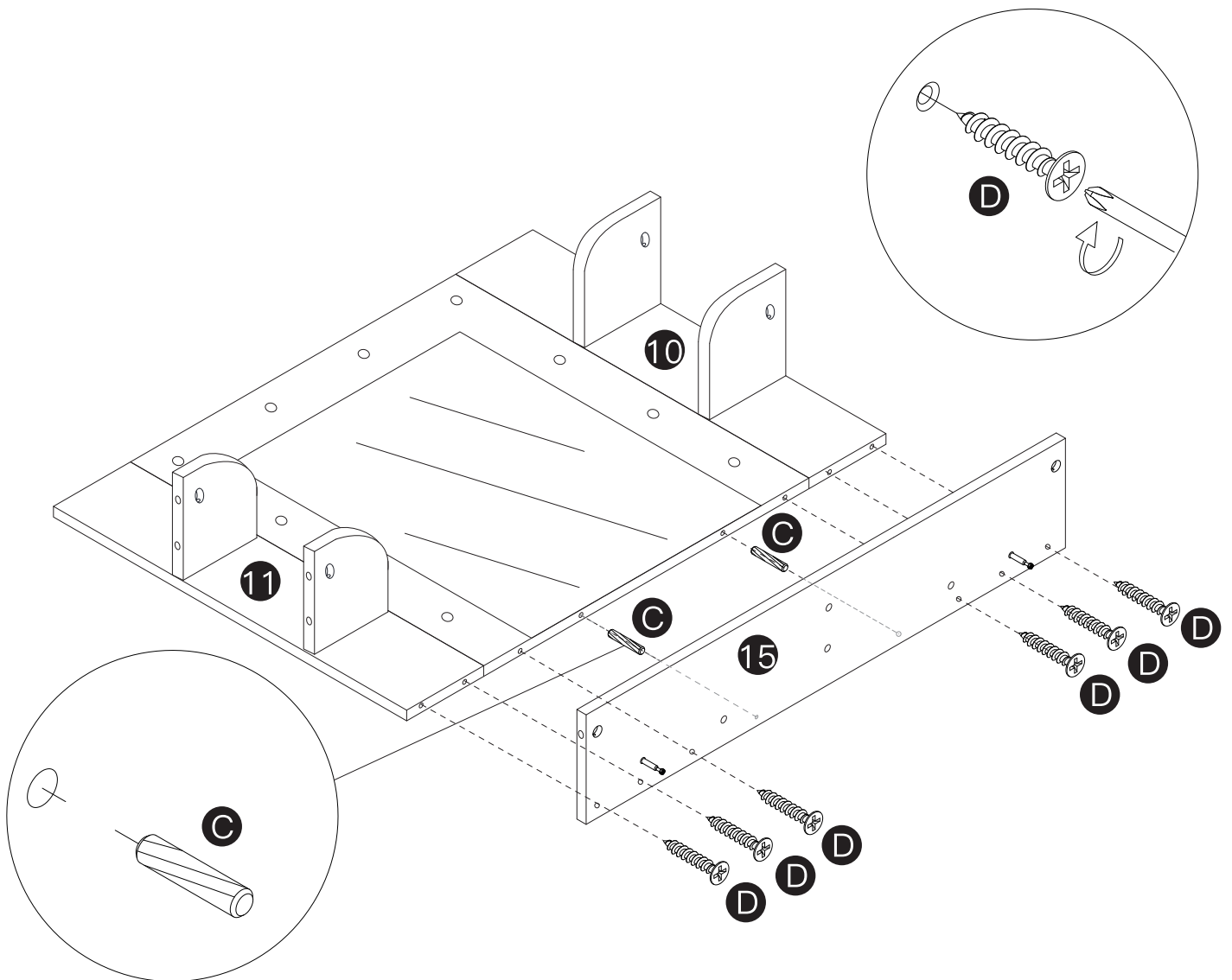
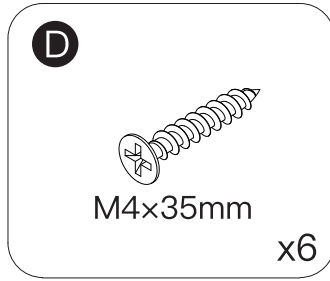
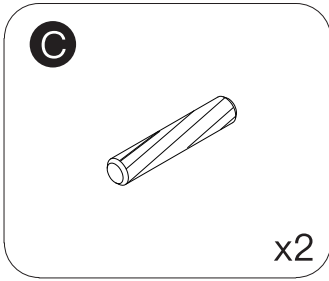
# STEP 14



# STEP 15

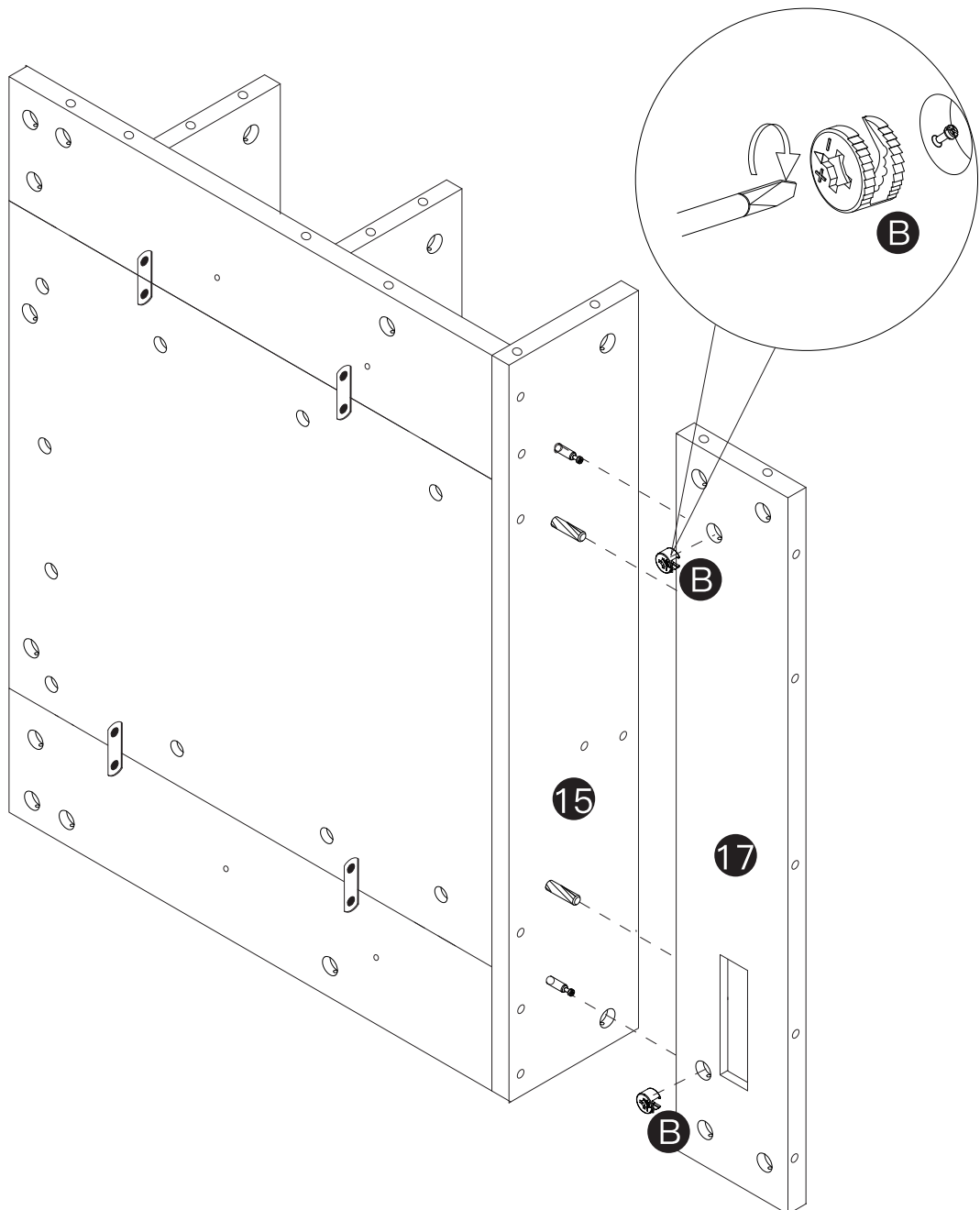
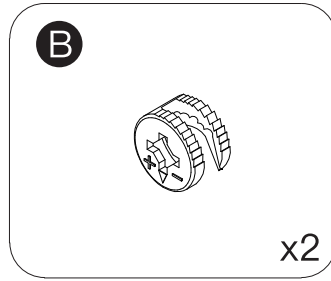
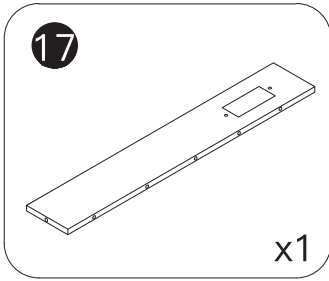


# STEP 16

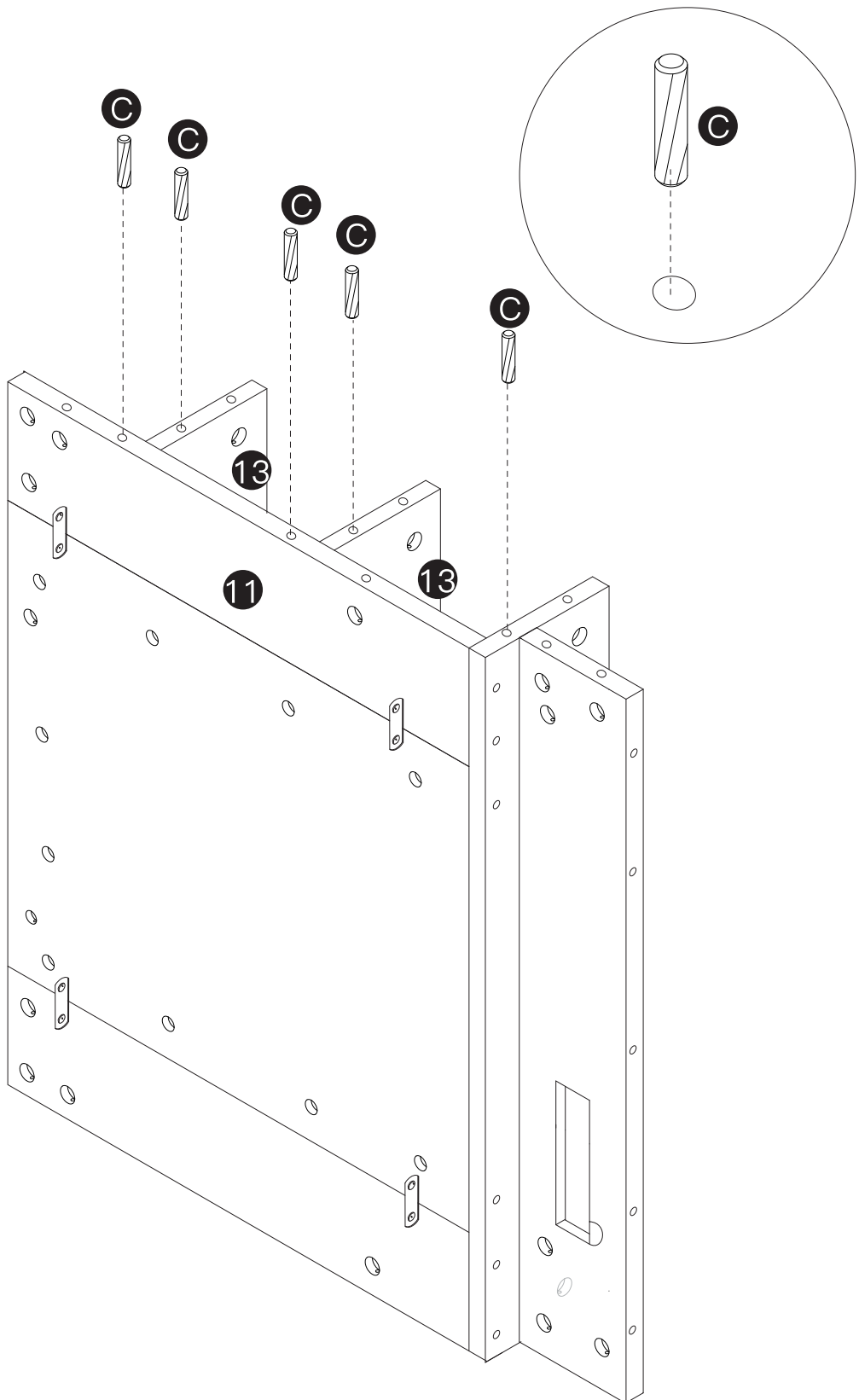
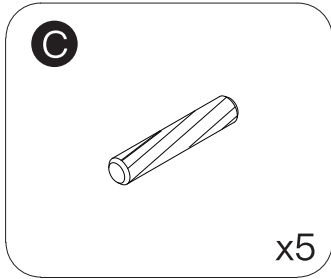




# STEP 18

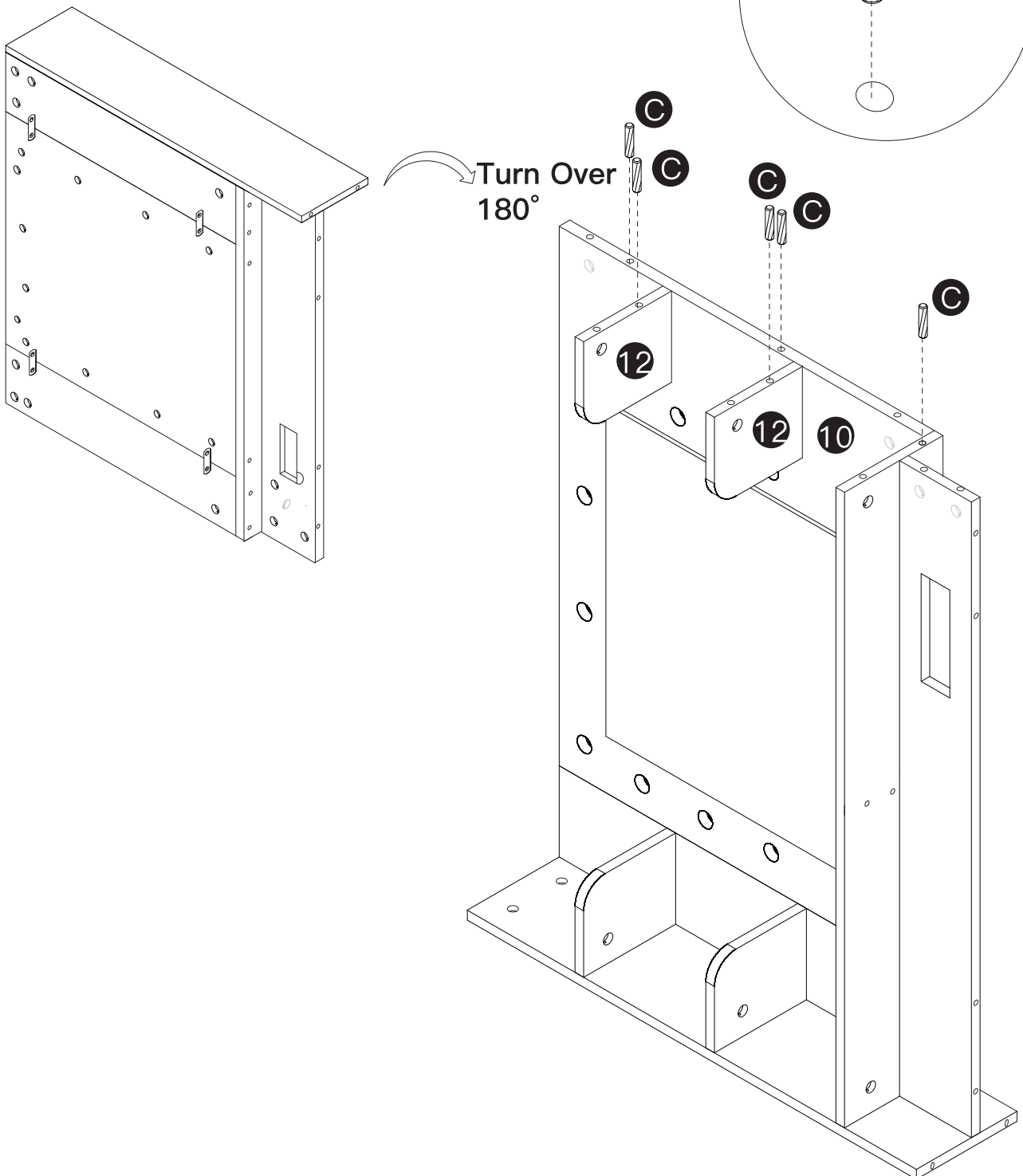
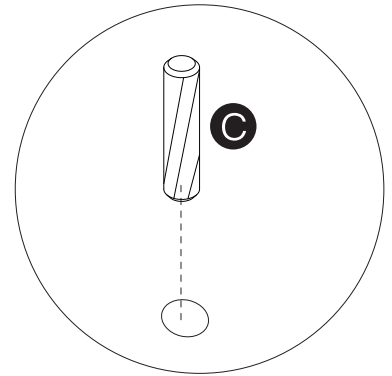
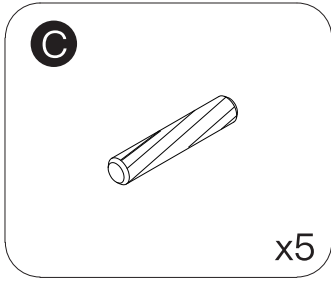


# STEP 19



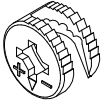


# STEP 21

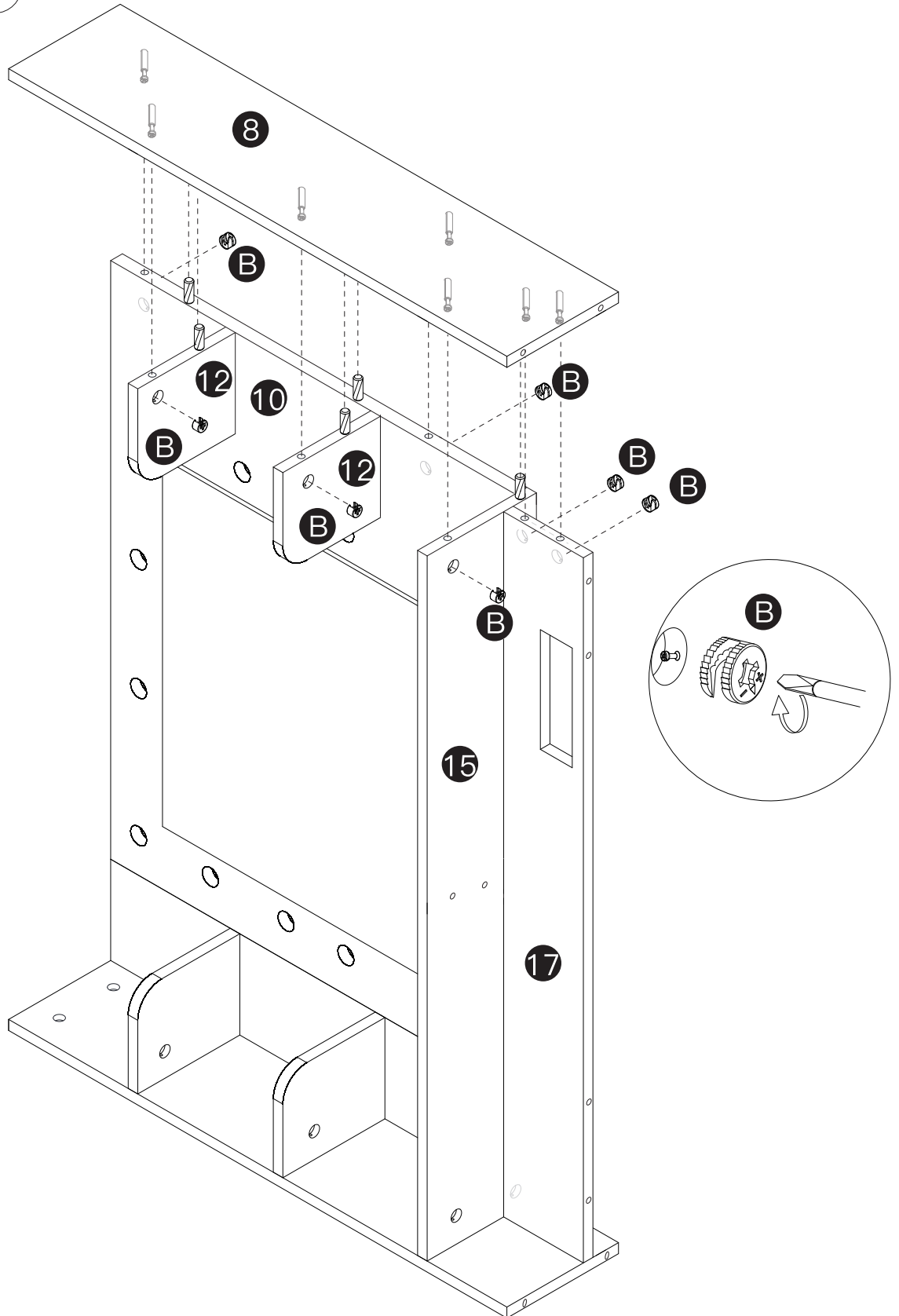


# STEP 22

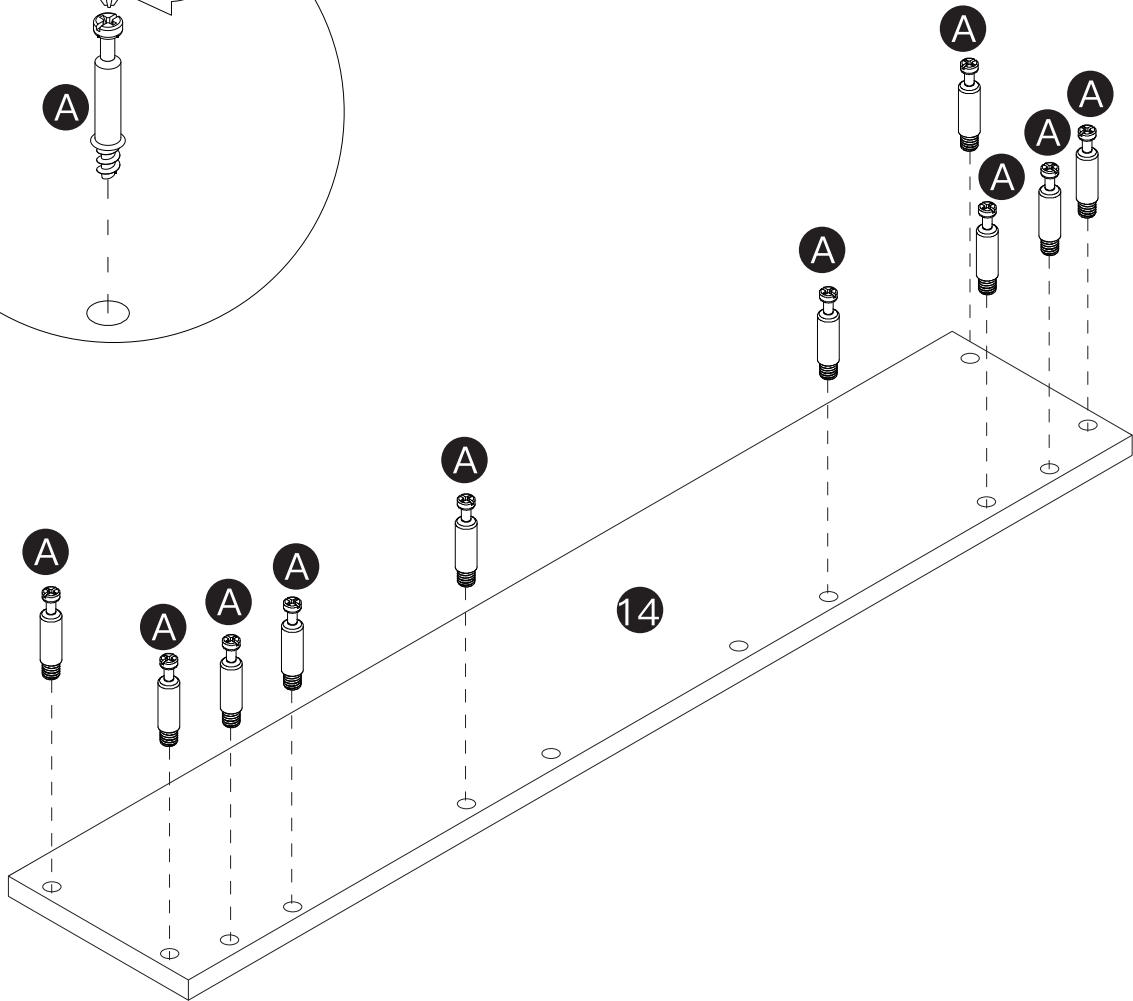
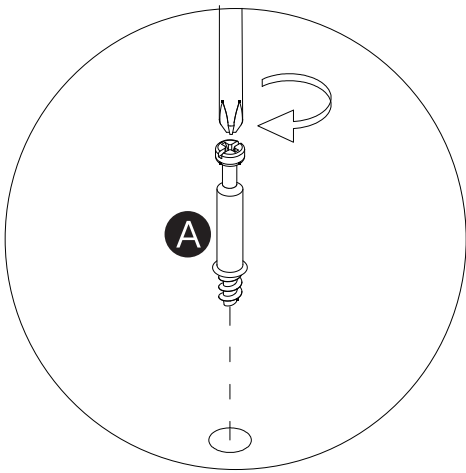
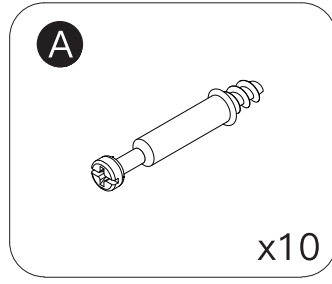
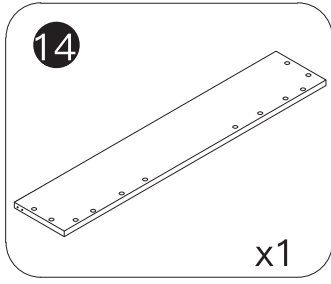
**B**



x7

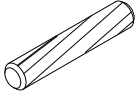


# STEP 23

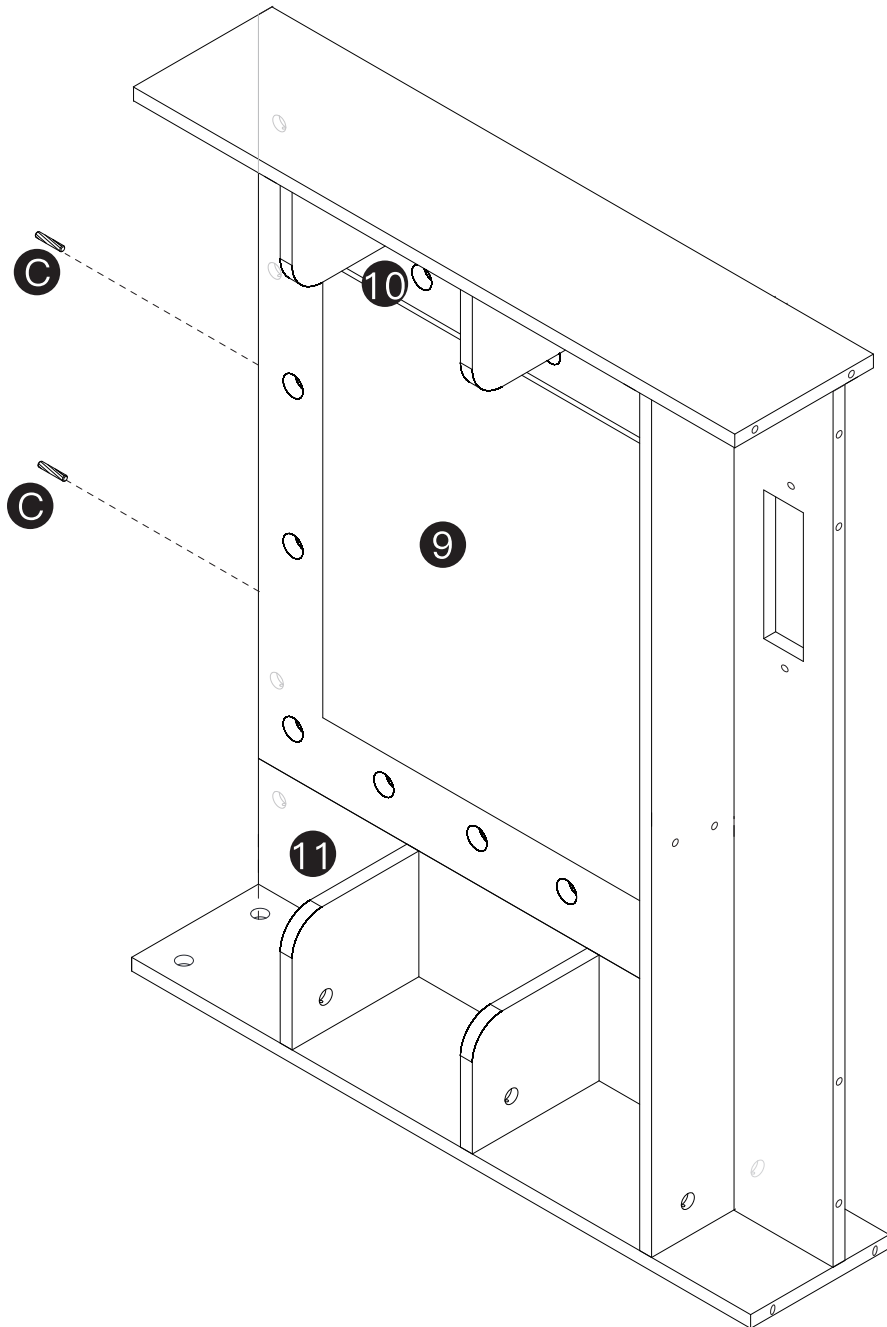


# STEP 24

C



x2

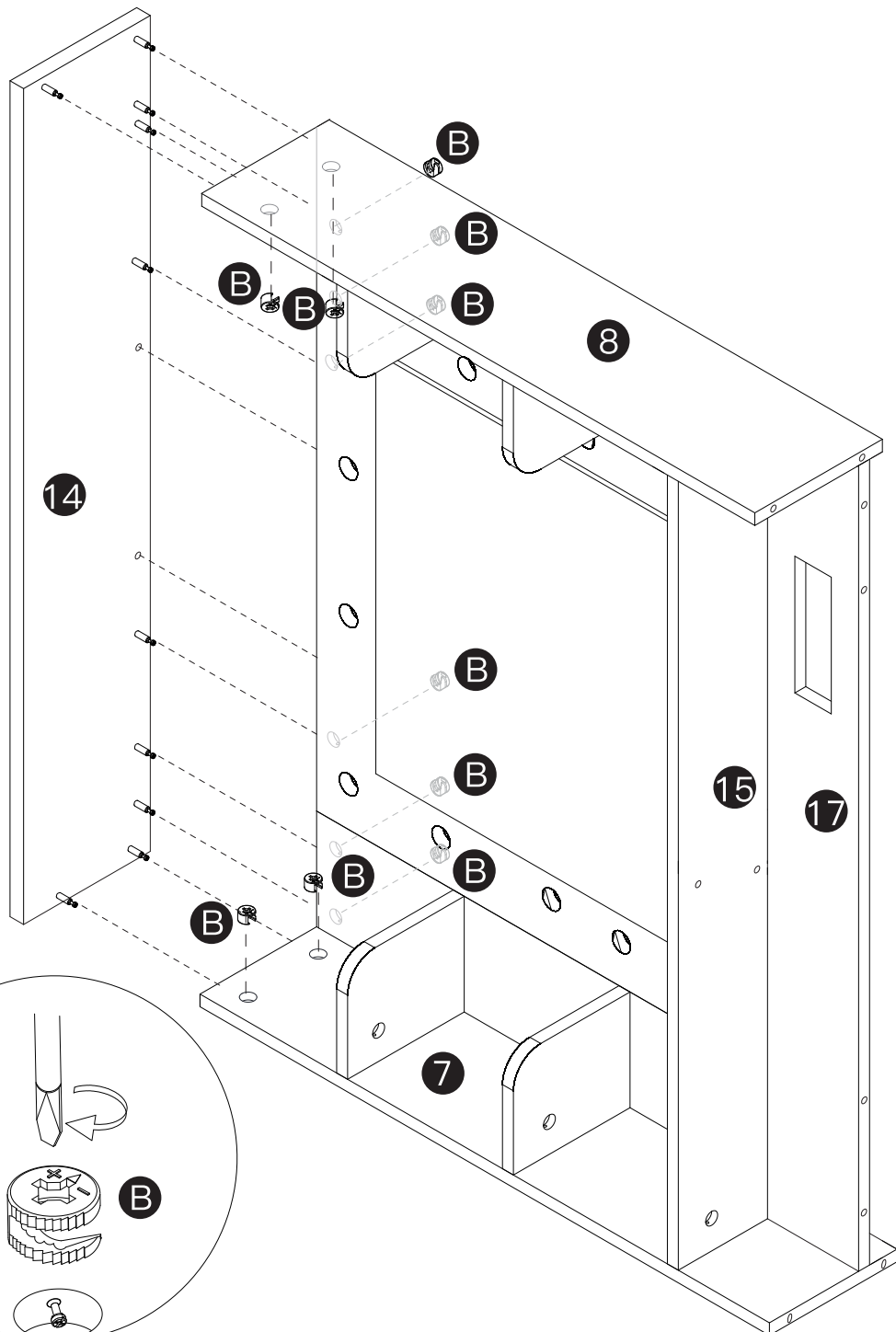


# STEP 25

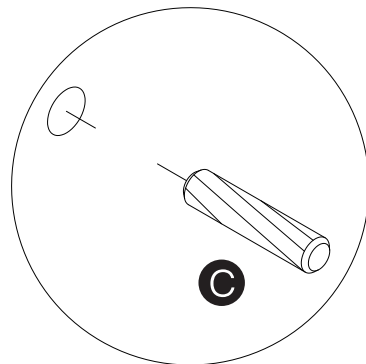
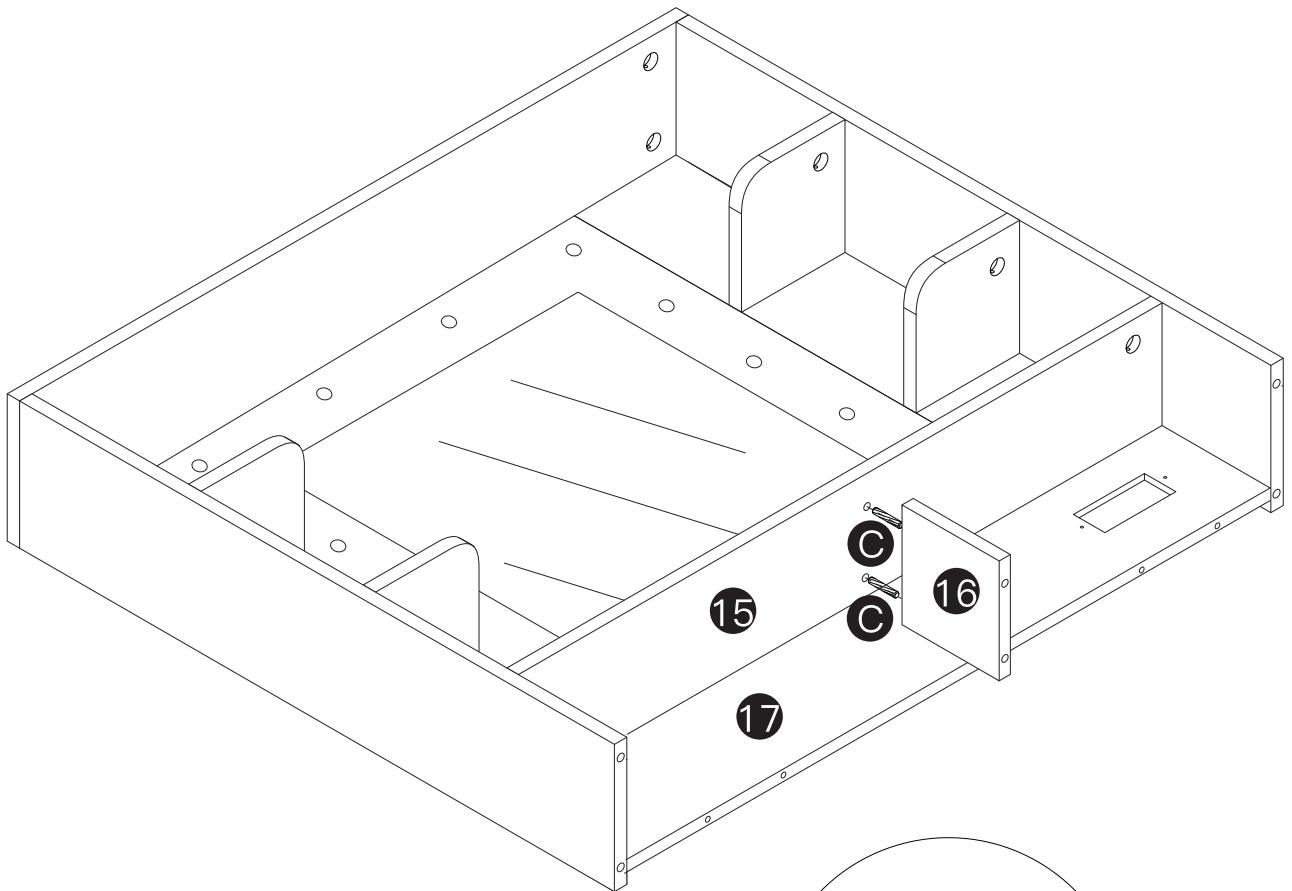
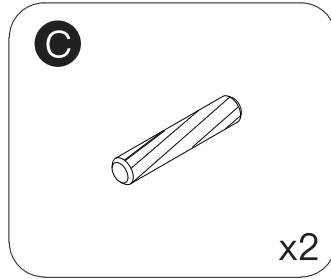
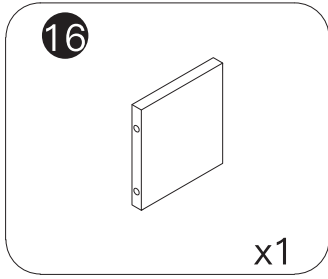
**B**



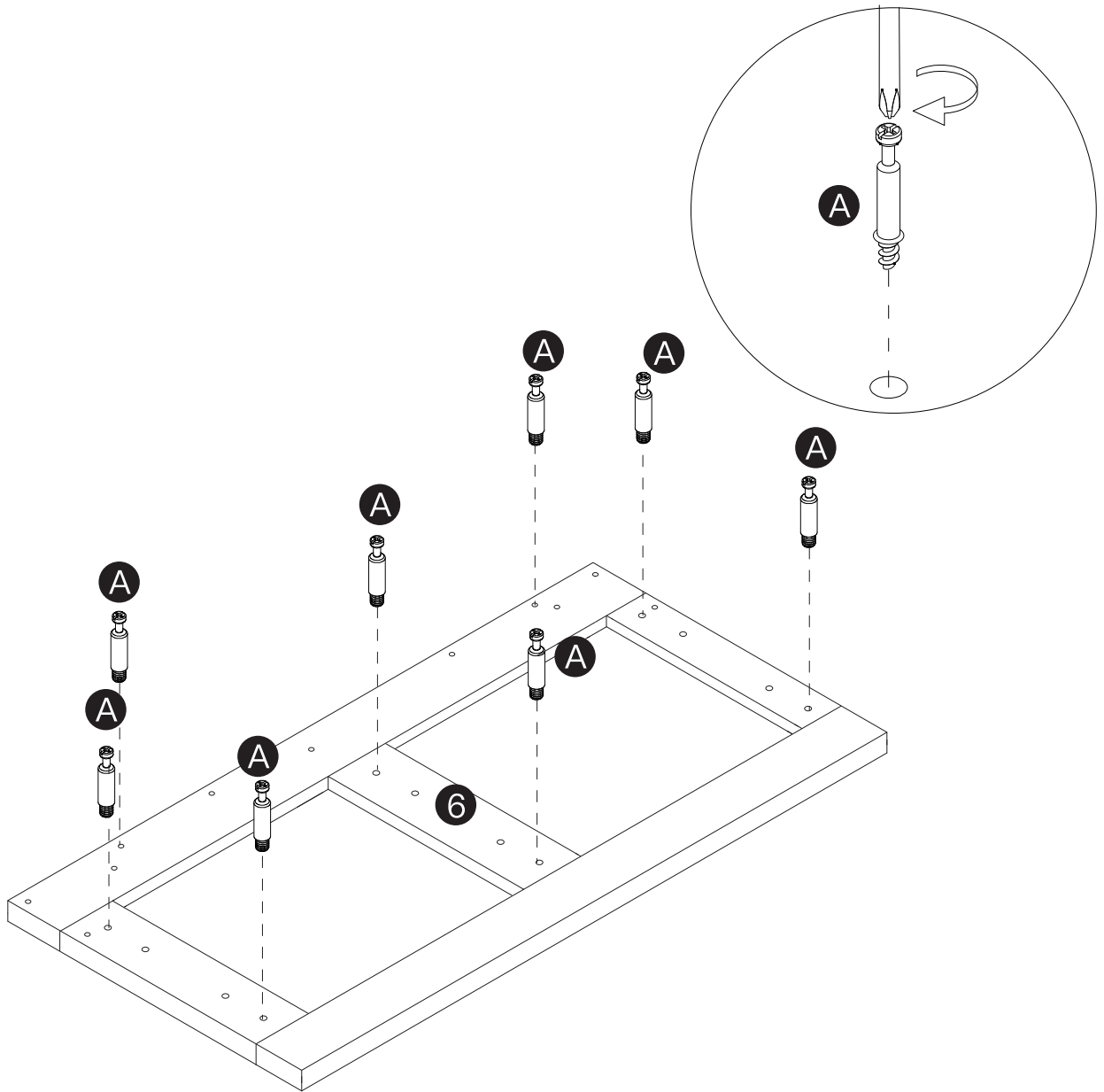
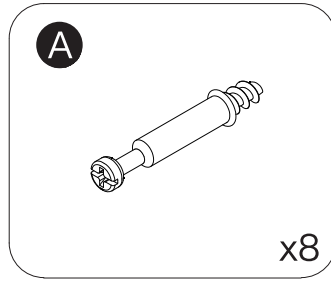
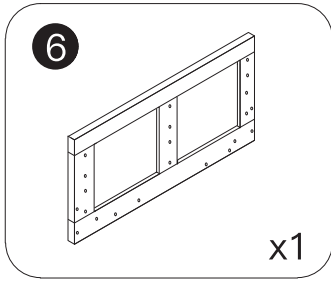
x10



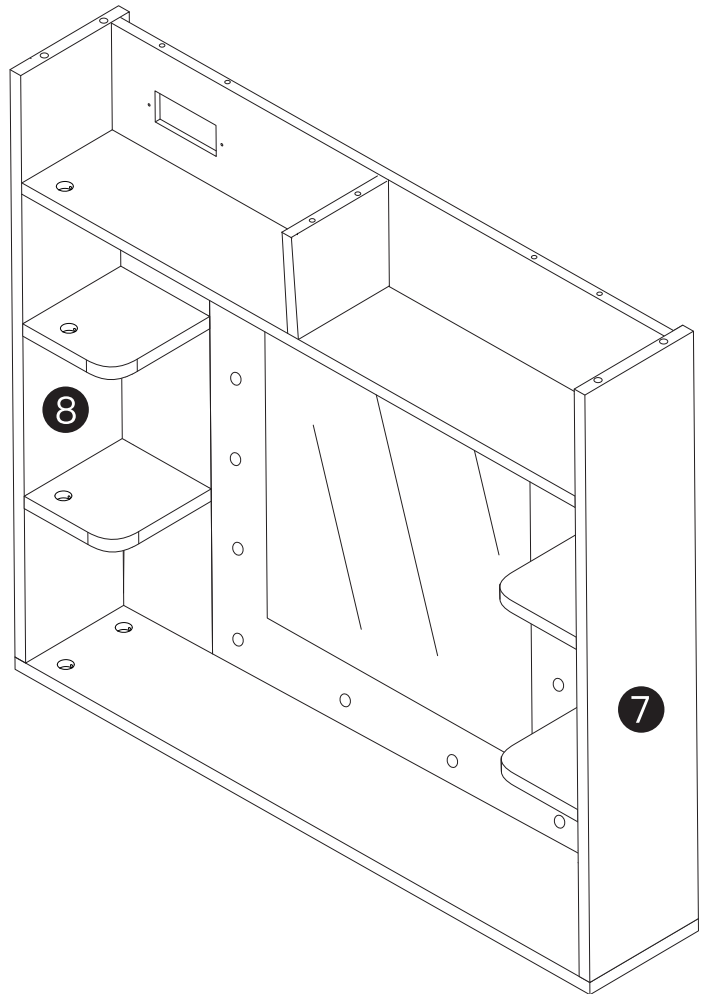
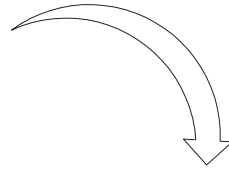
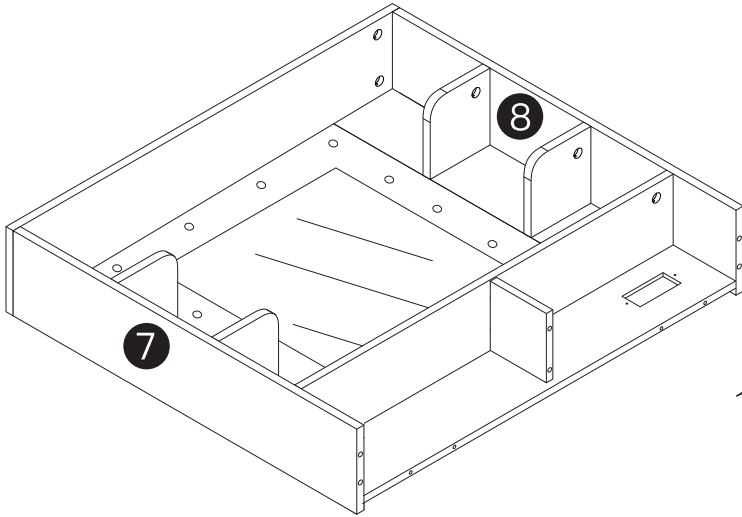
# STEP 26



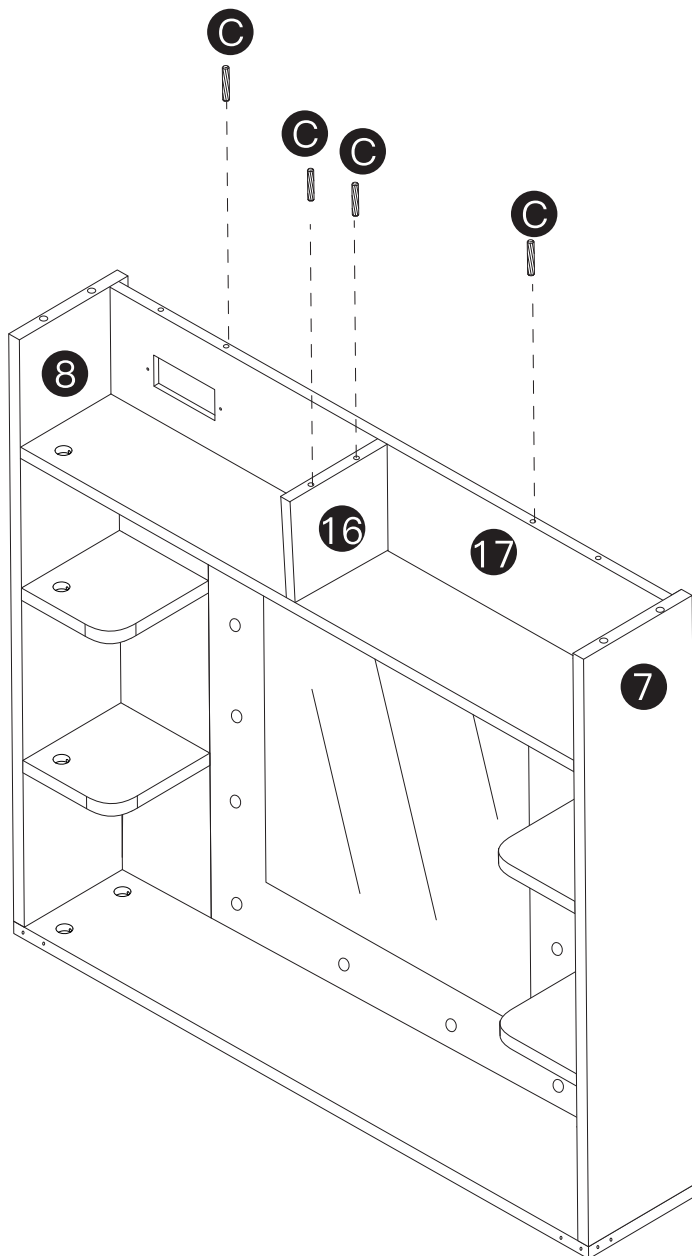
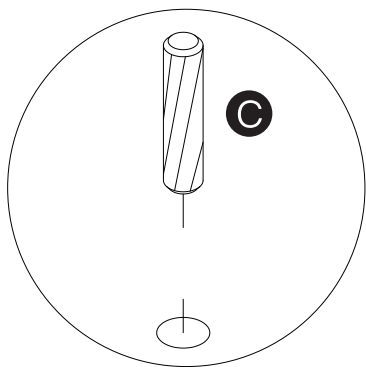
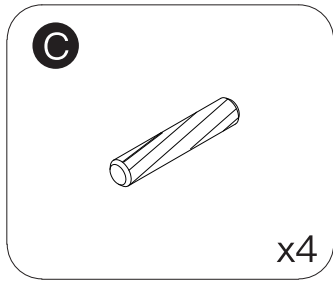
# STEP 27



# STEP 28

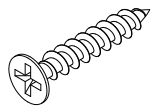


# STEP 29



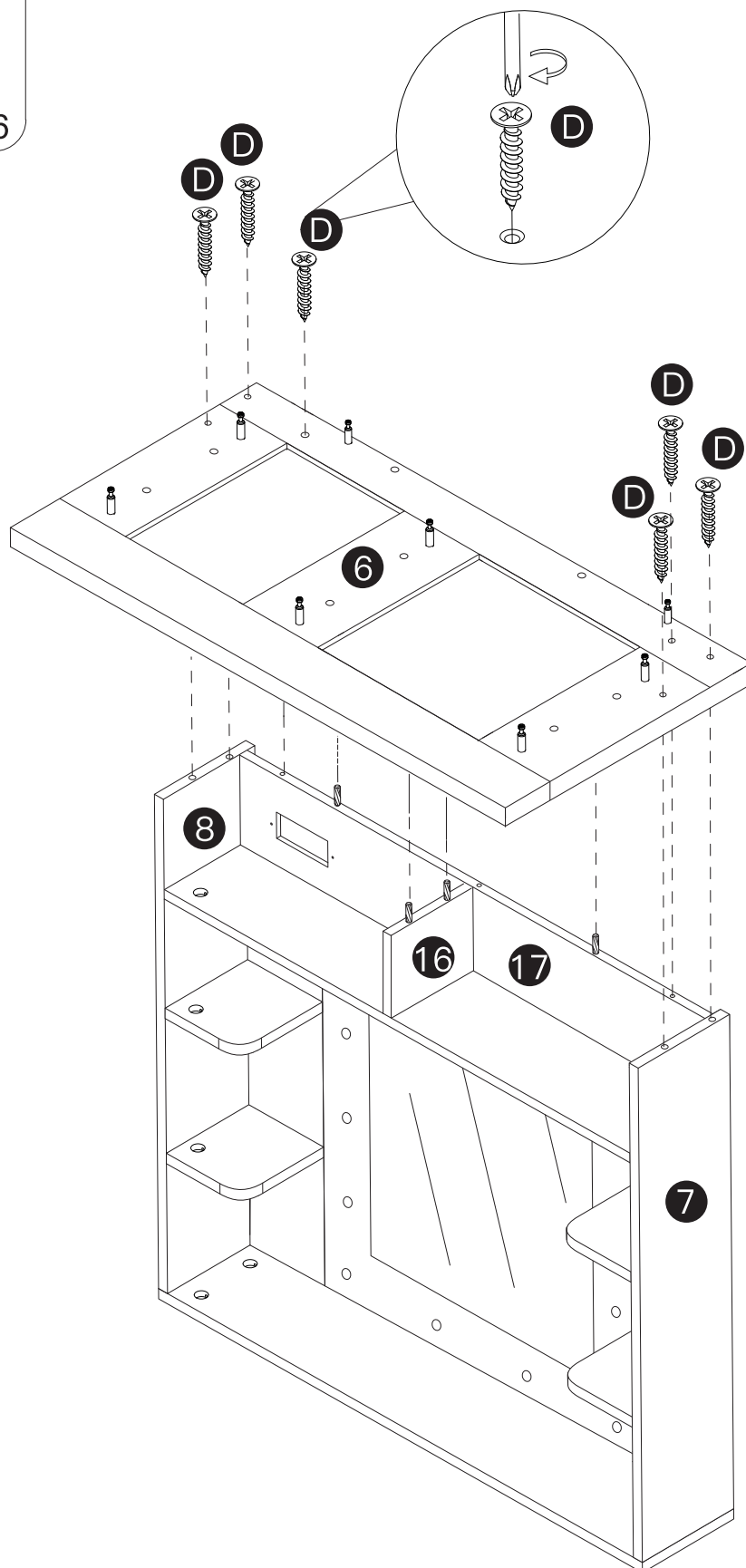
# STEP 30

D

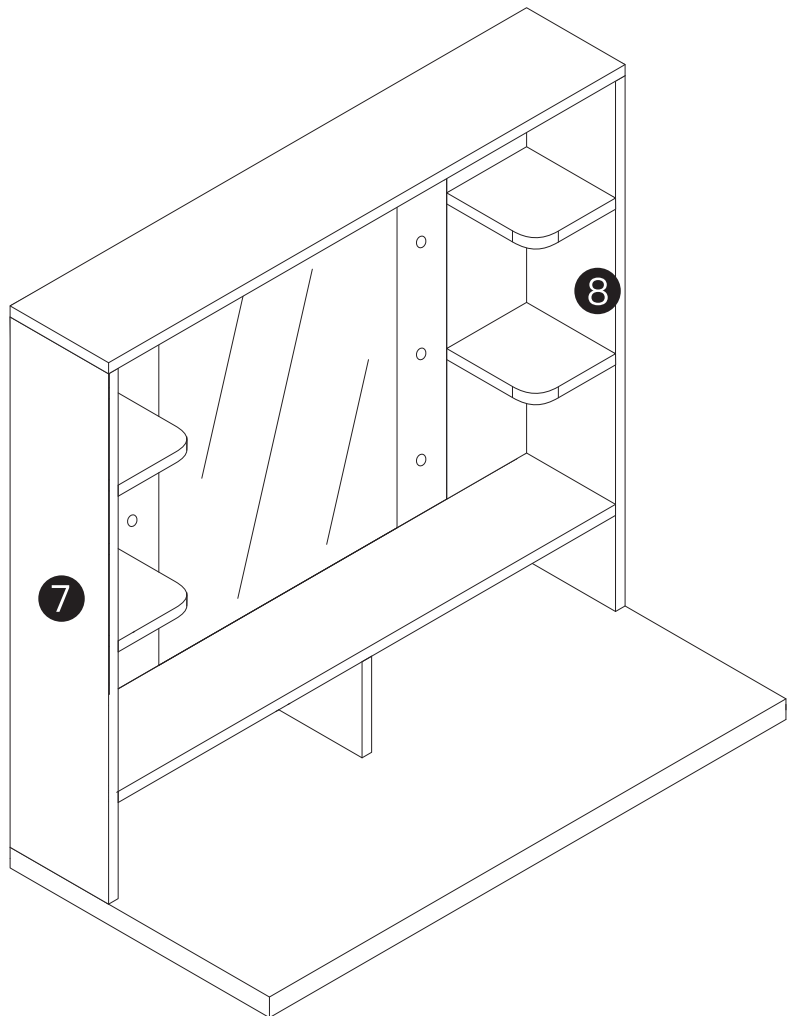
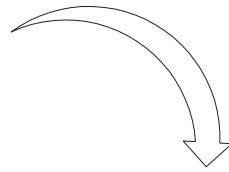
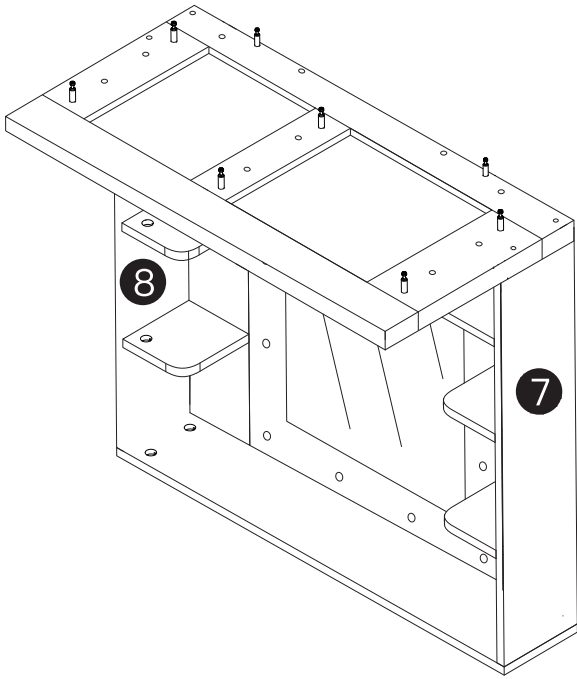


M4x35mm

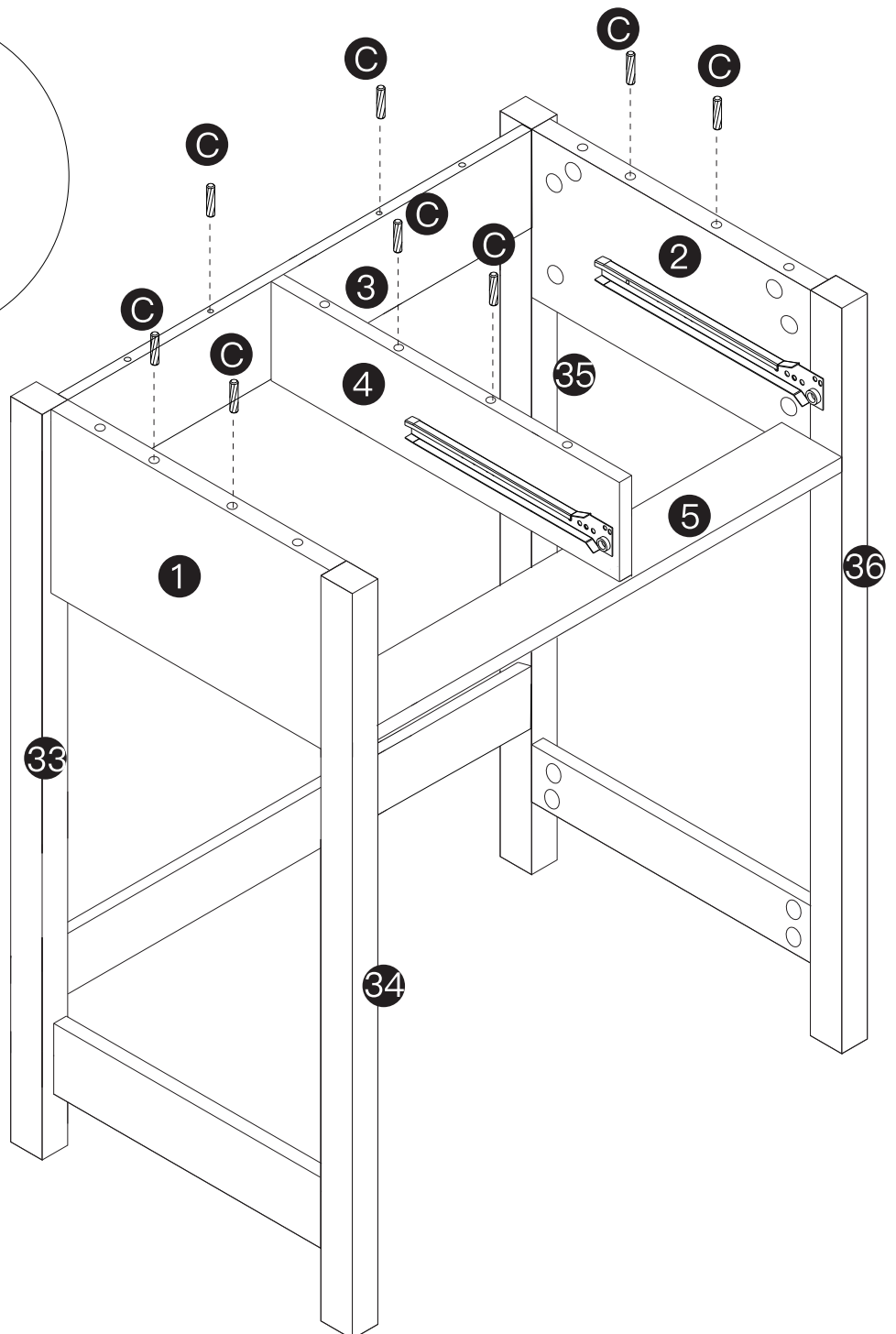
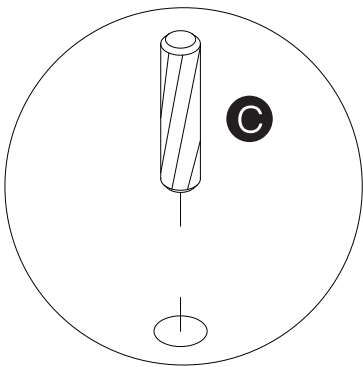
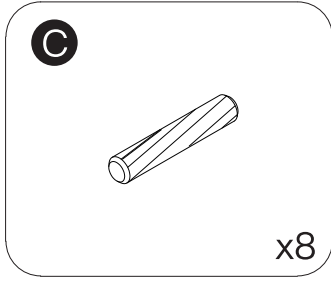
x6



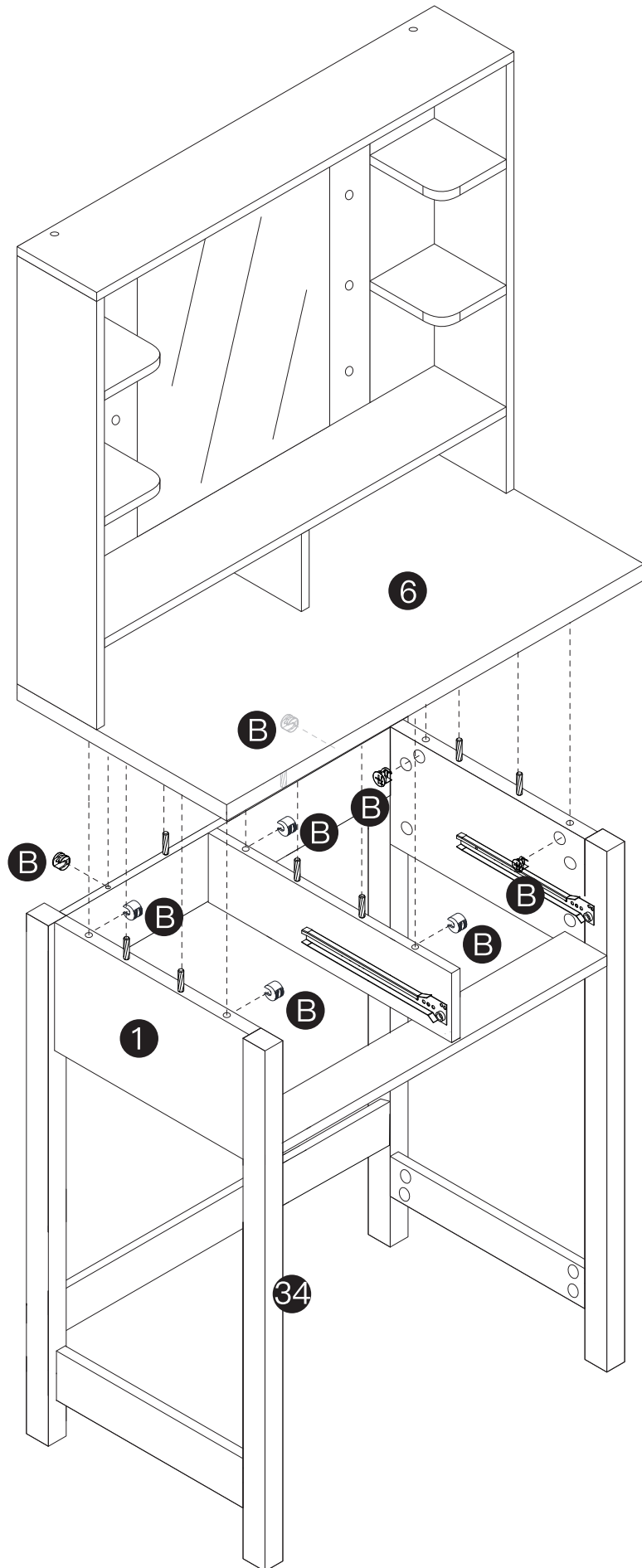
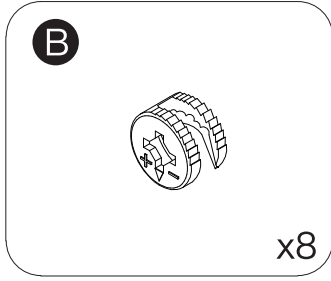
# STEP 31



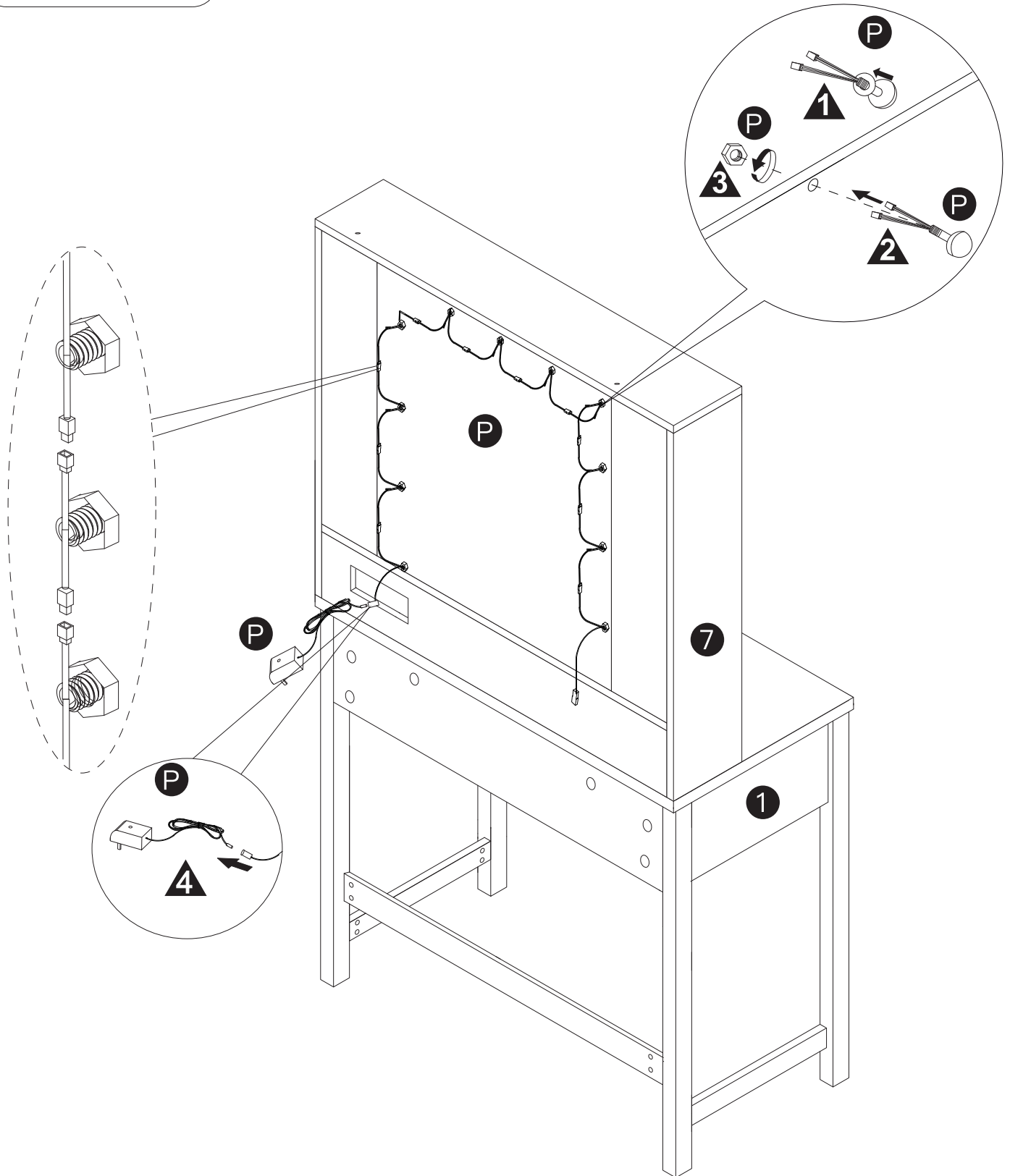
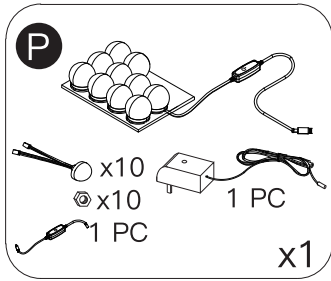
# STEP 32



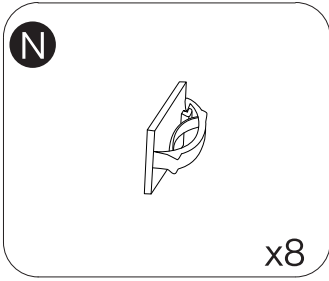
# STEP 33



# STEP 34

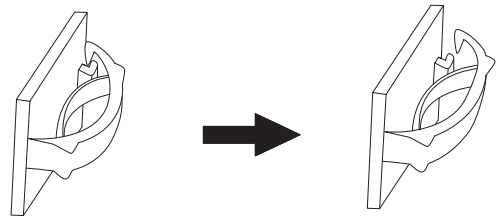


# STEP 35

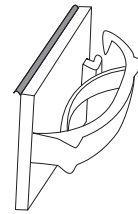


## NOTICE:

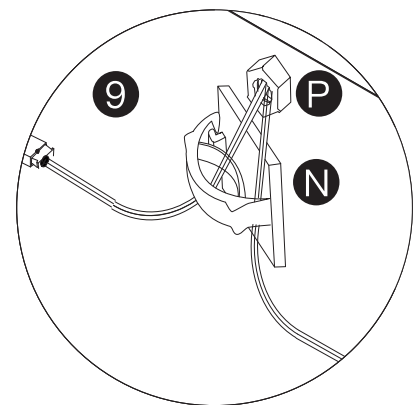
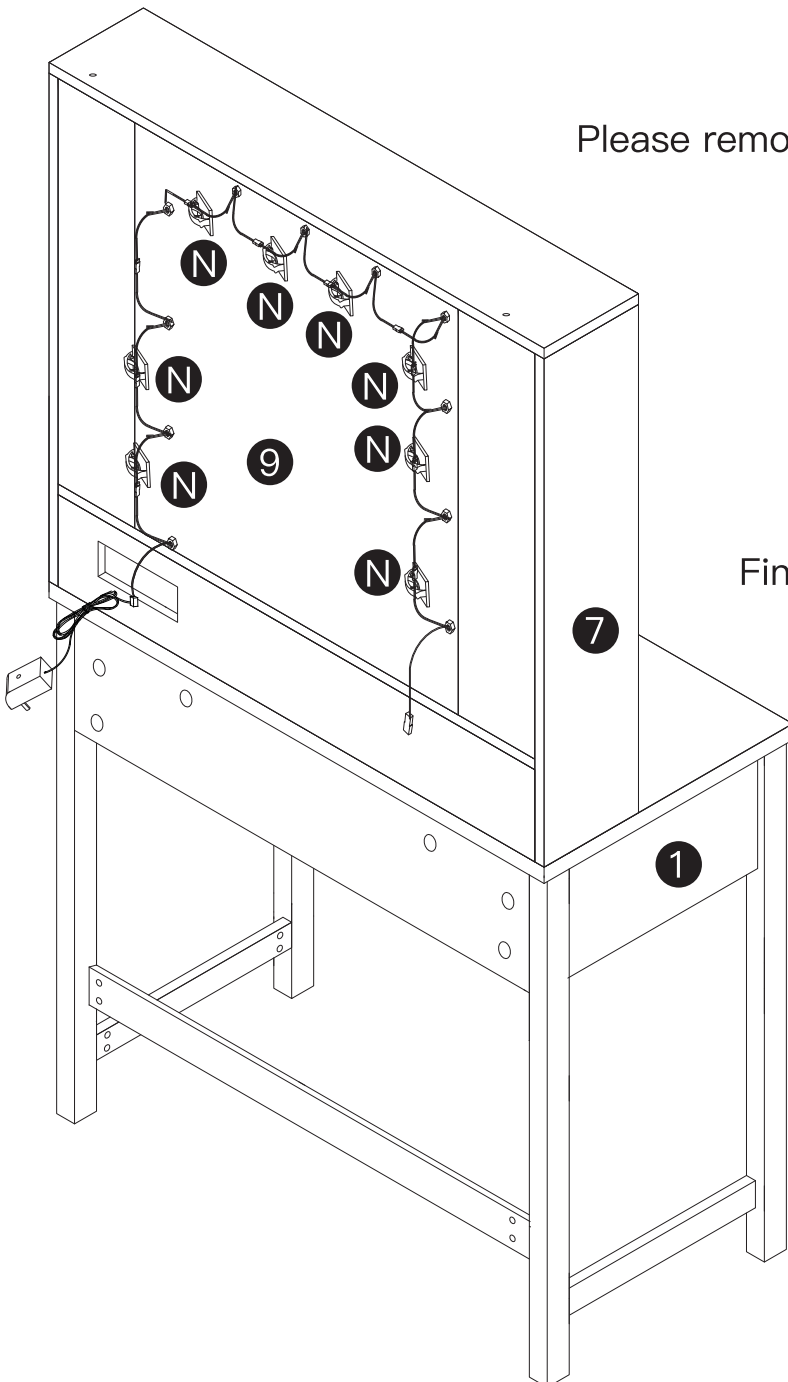
Firstly, please open the buckle of part **N** .



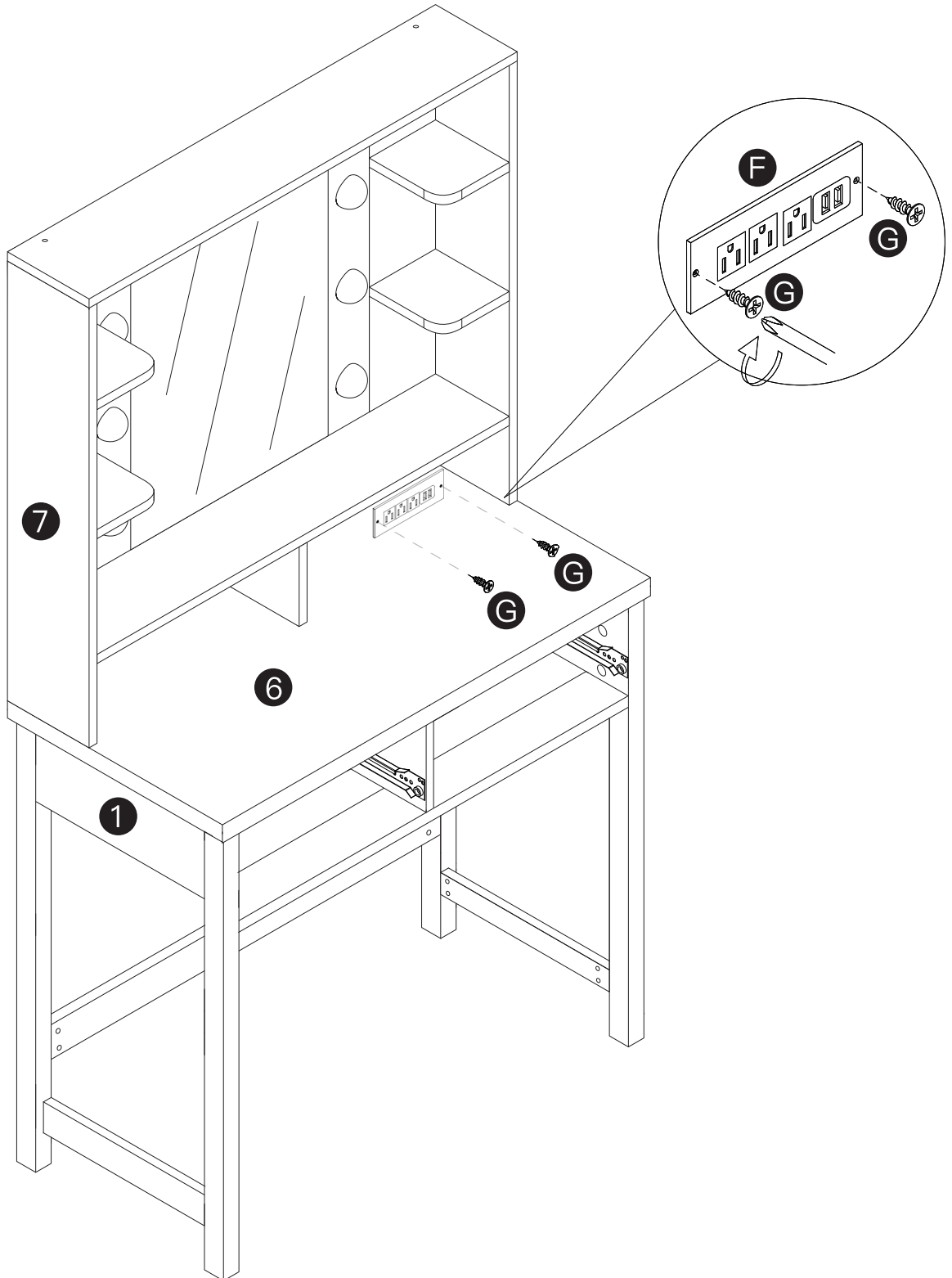
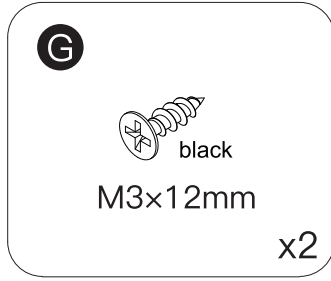
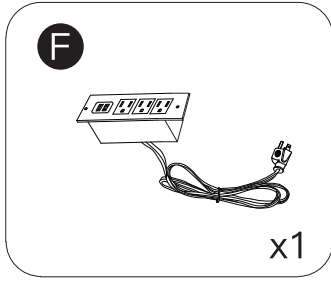
Please remove the tape from the back of part **N** .



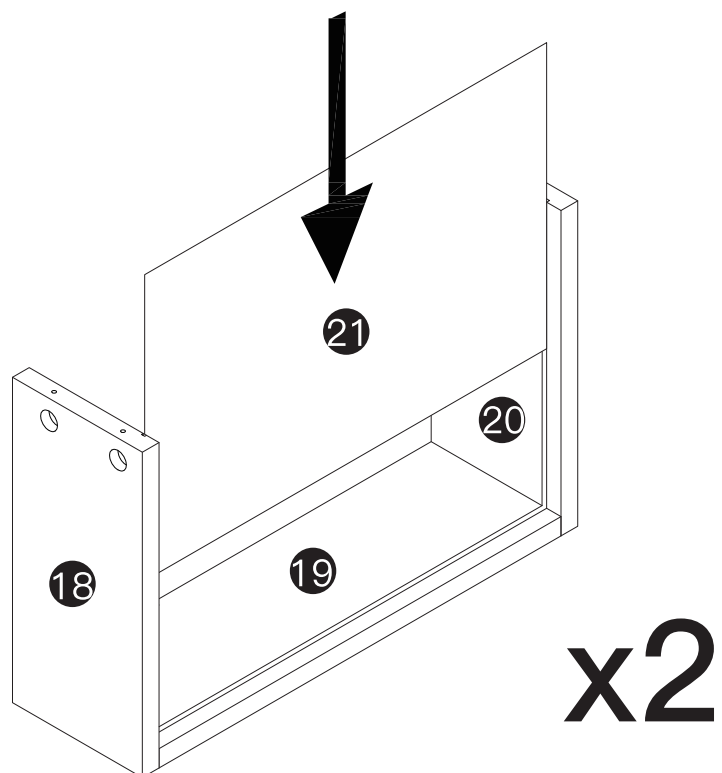
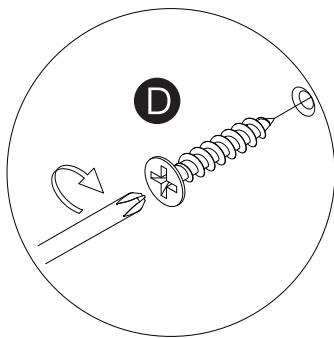
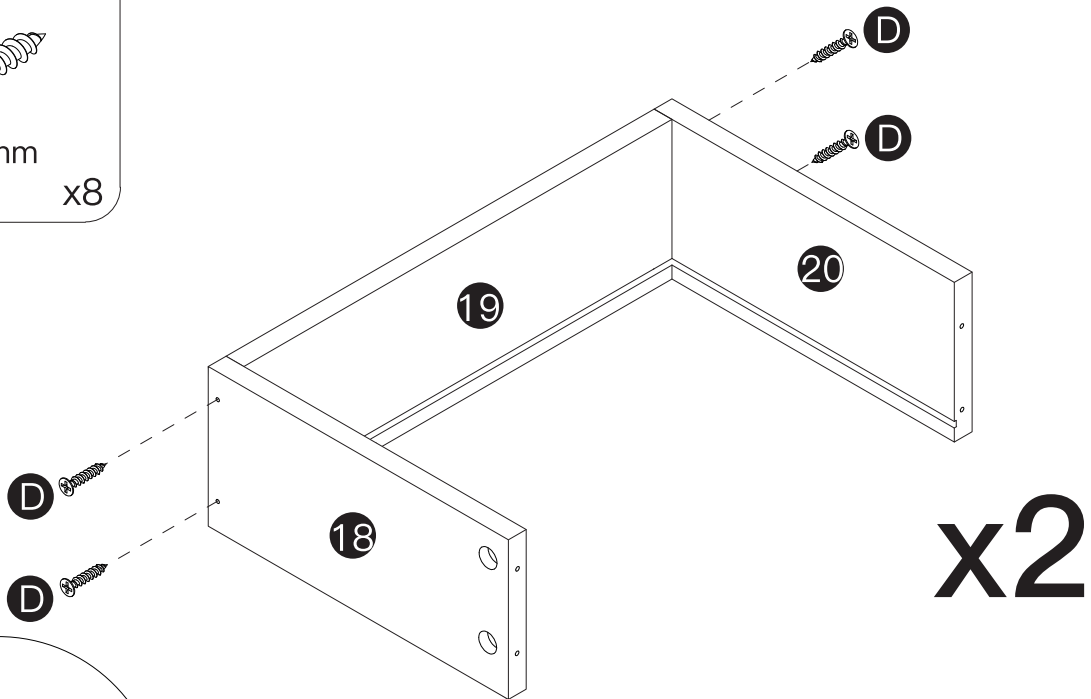
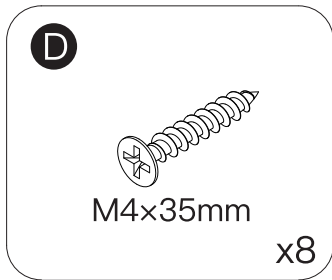
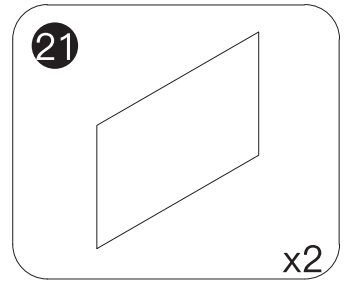
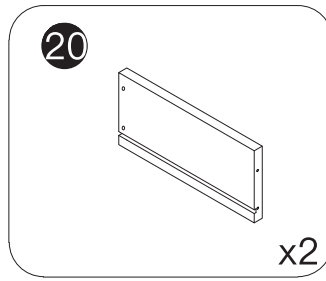
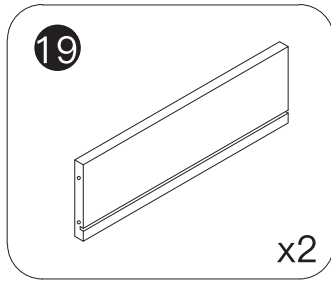
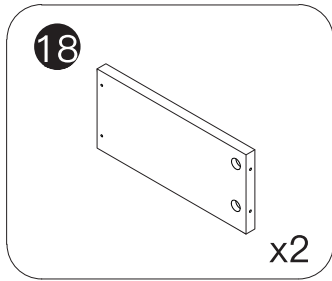
Finally, glue it on part **9** to lock part **P** .



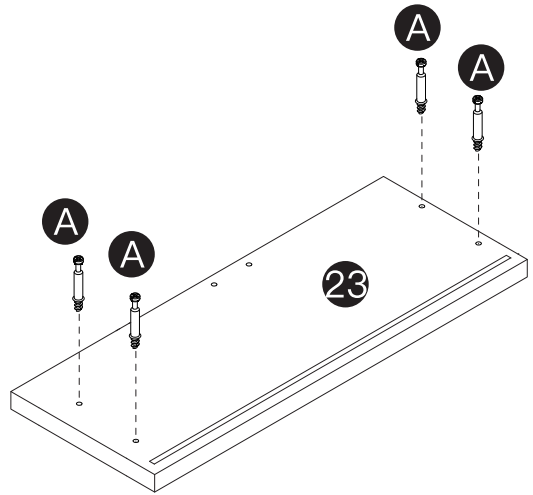
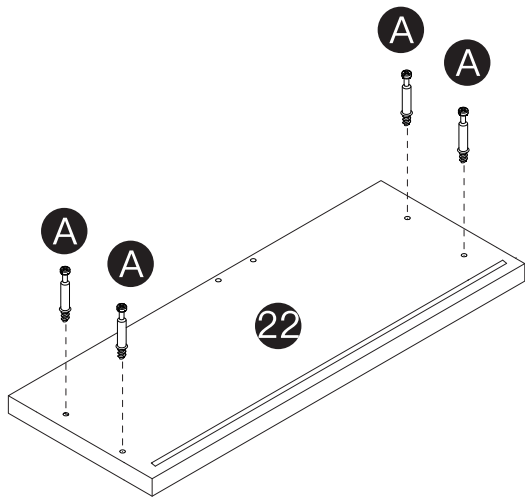
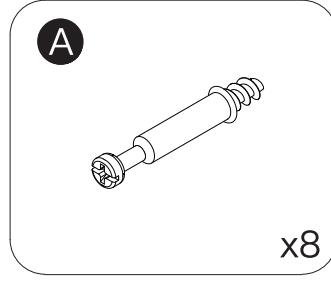
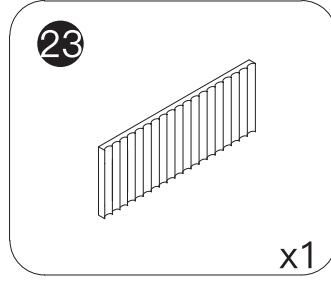
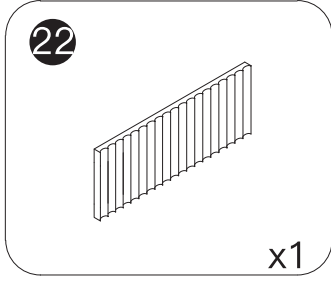
# STEP 36



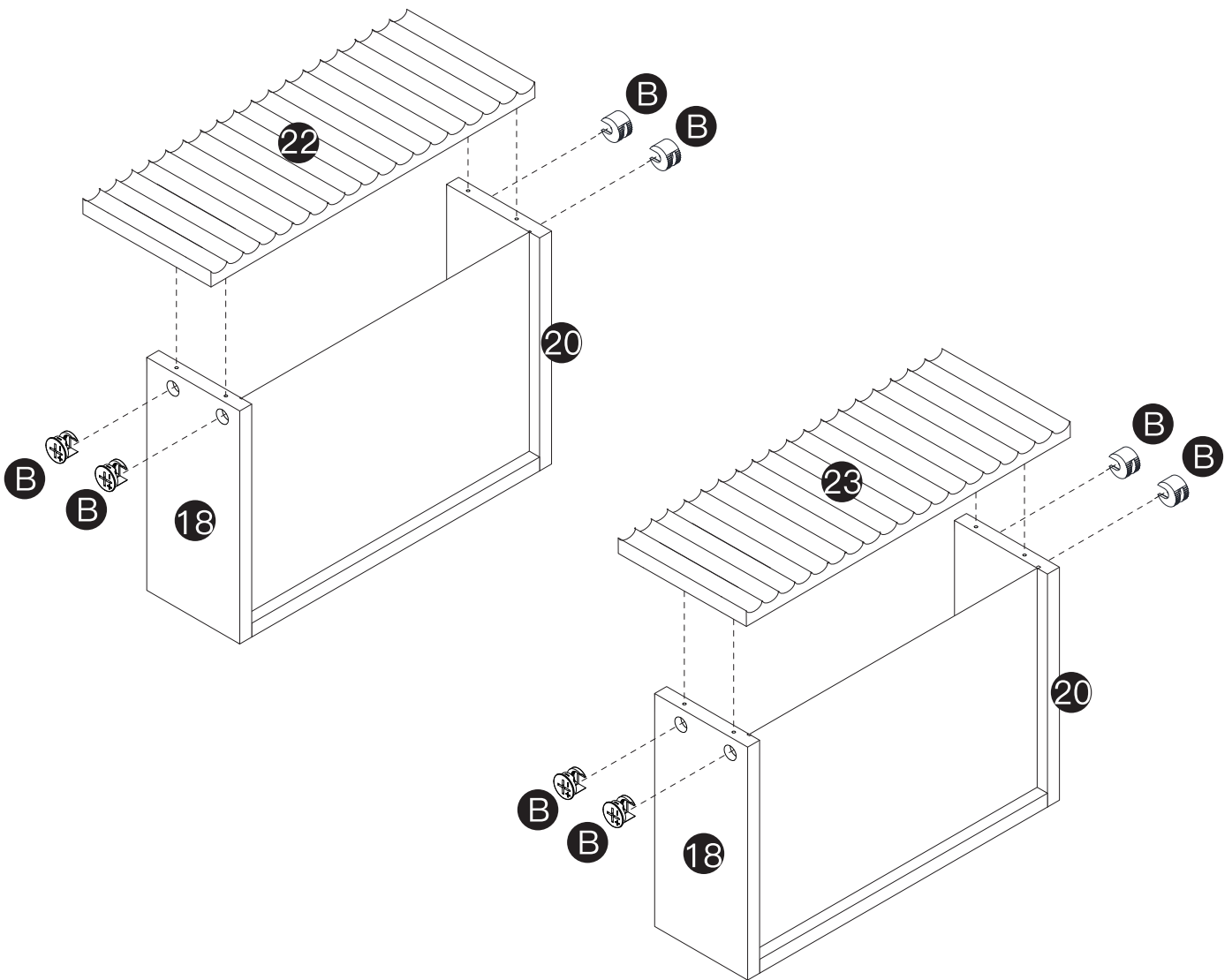
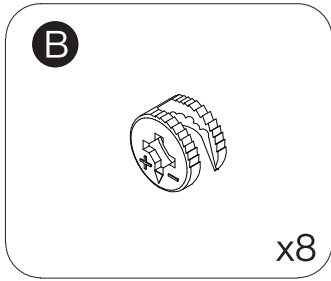
# STEP 37



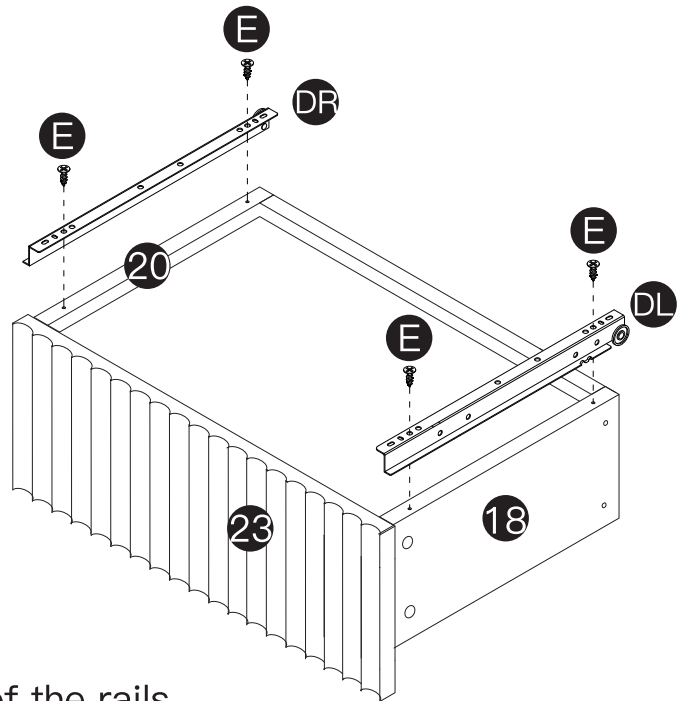
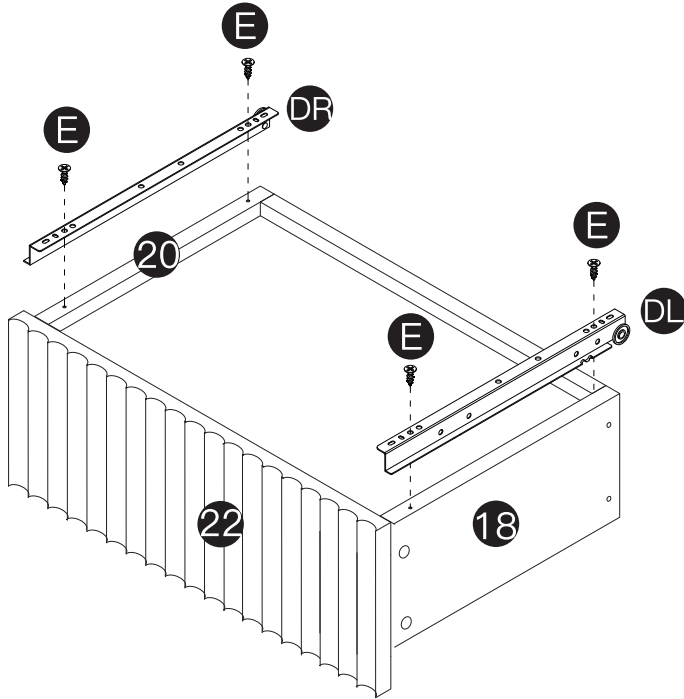
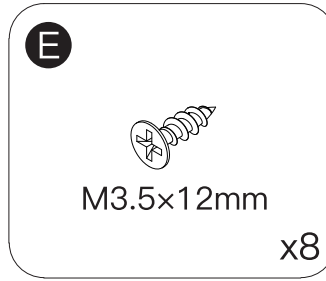
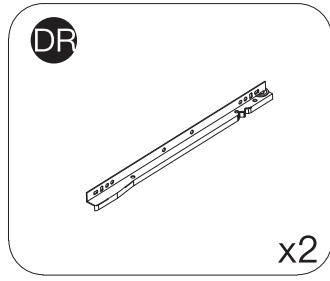
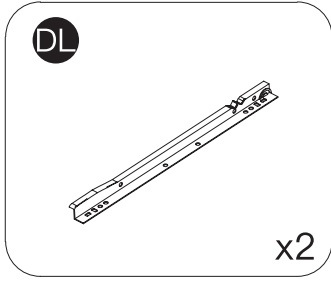
# STEP 38



# STEP 39



# STEP 40

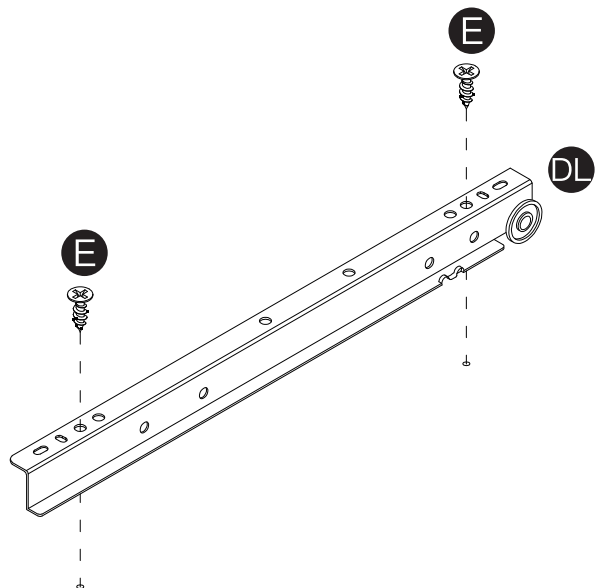
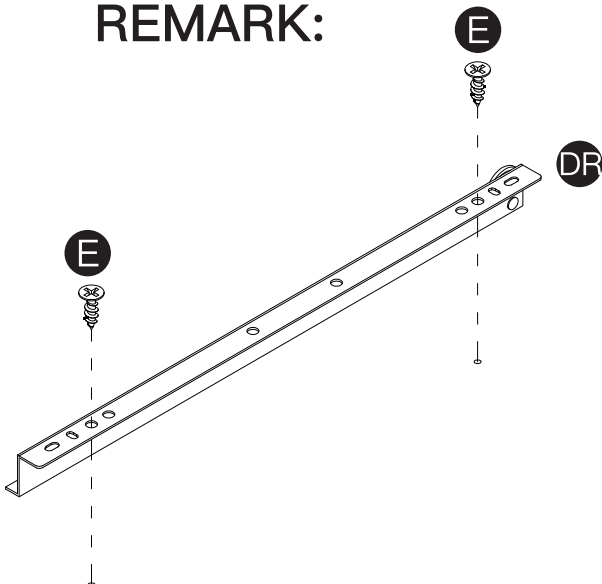


## NOTICE:

(1) Please pay attention to the direction of the rails.

(2) When installing part **E**, ensure it is aligned with the holes of parts **DR** and **DL**. Failure to do so may affect the installation of following drawers.

## REMARK:



# STEP 41

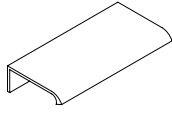
G



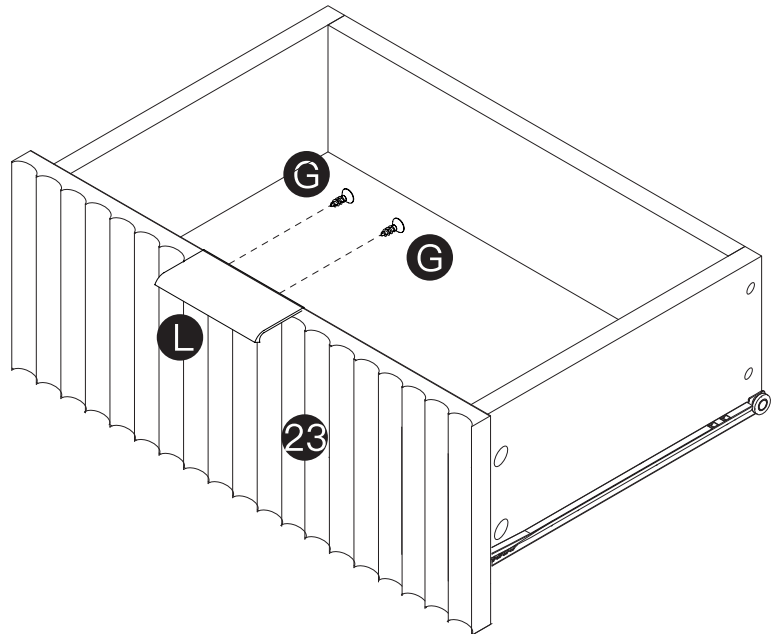
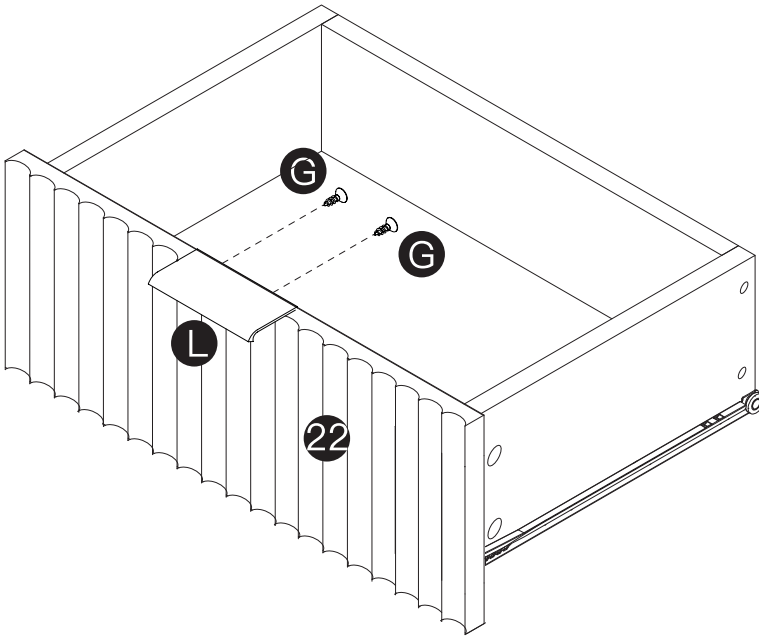
black  
M3x12mm

x4

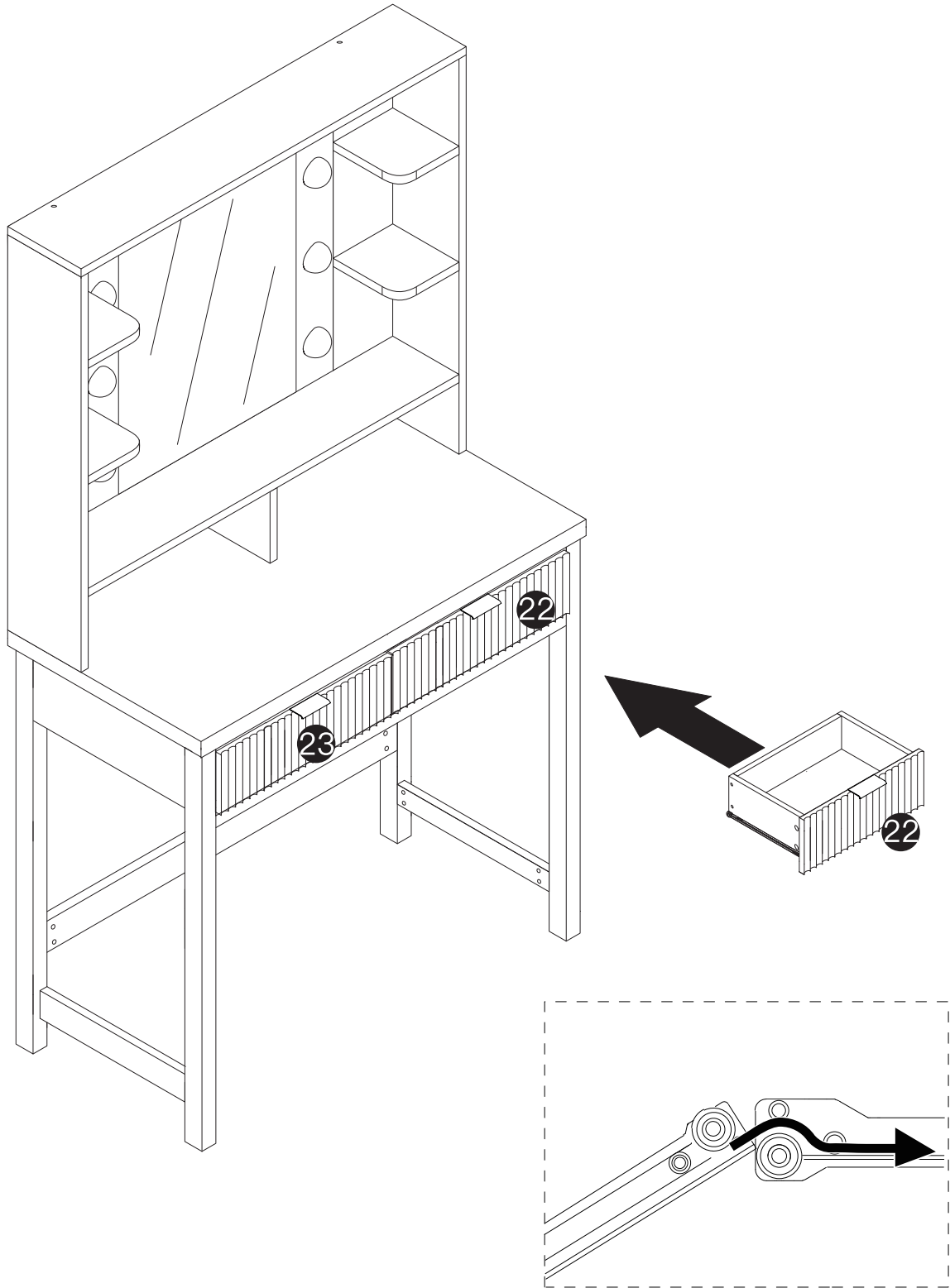
L



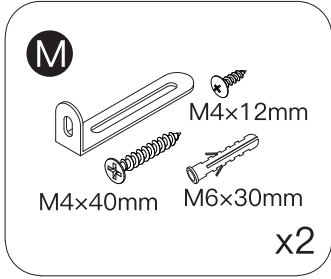
x2




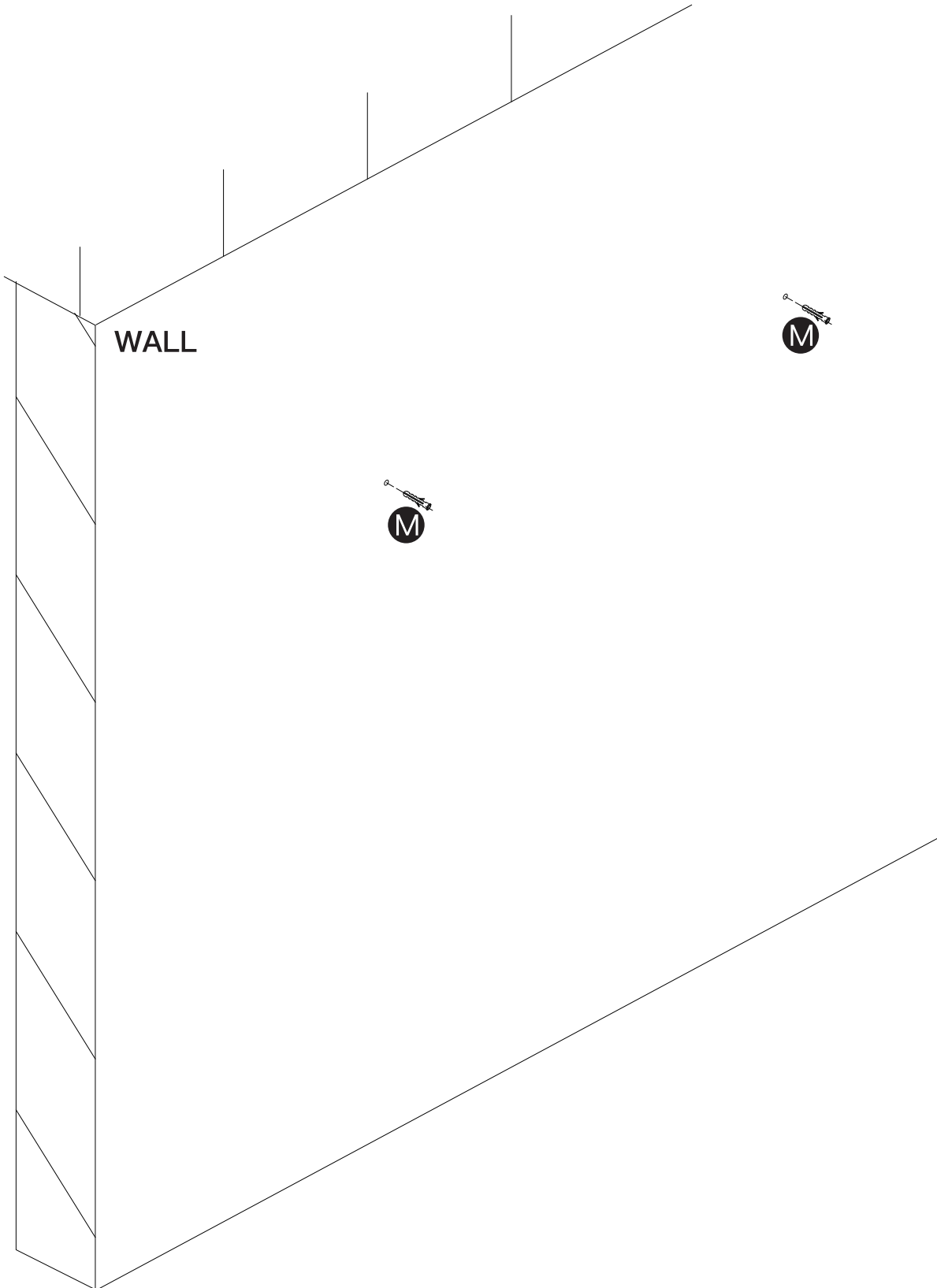
# STEP 42

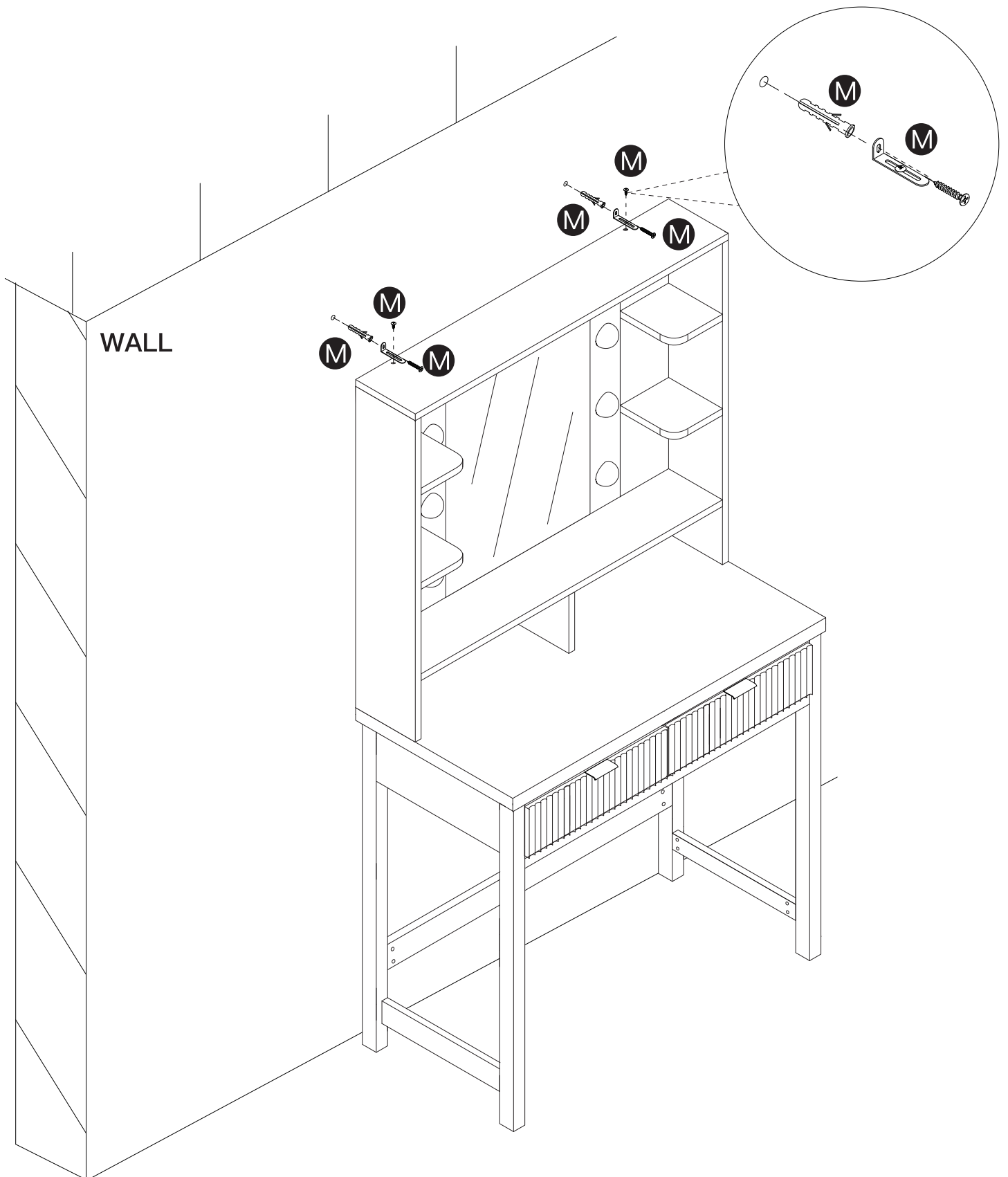


# STEP 43

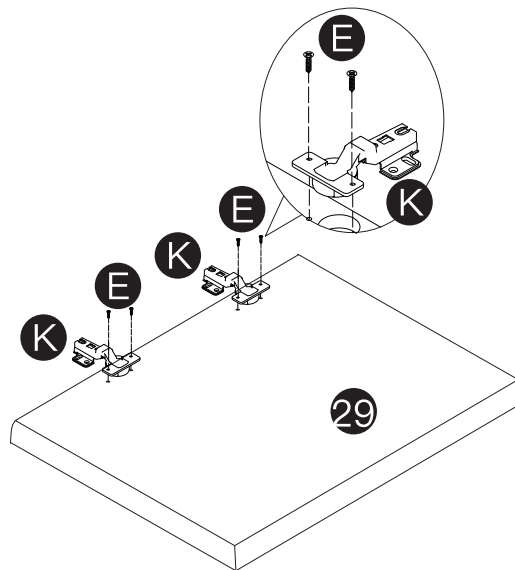
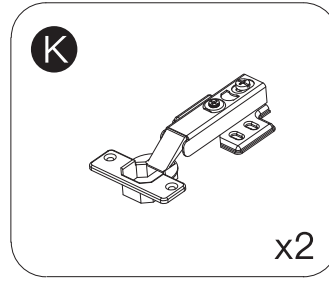
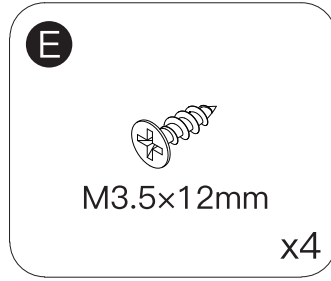
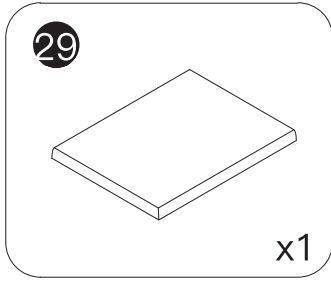


 **NOTICE:** For the safety of you and your family,  
**NOTICE** it is necessary to install **Anti-Tip Device Kit.**

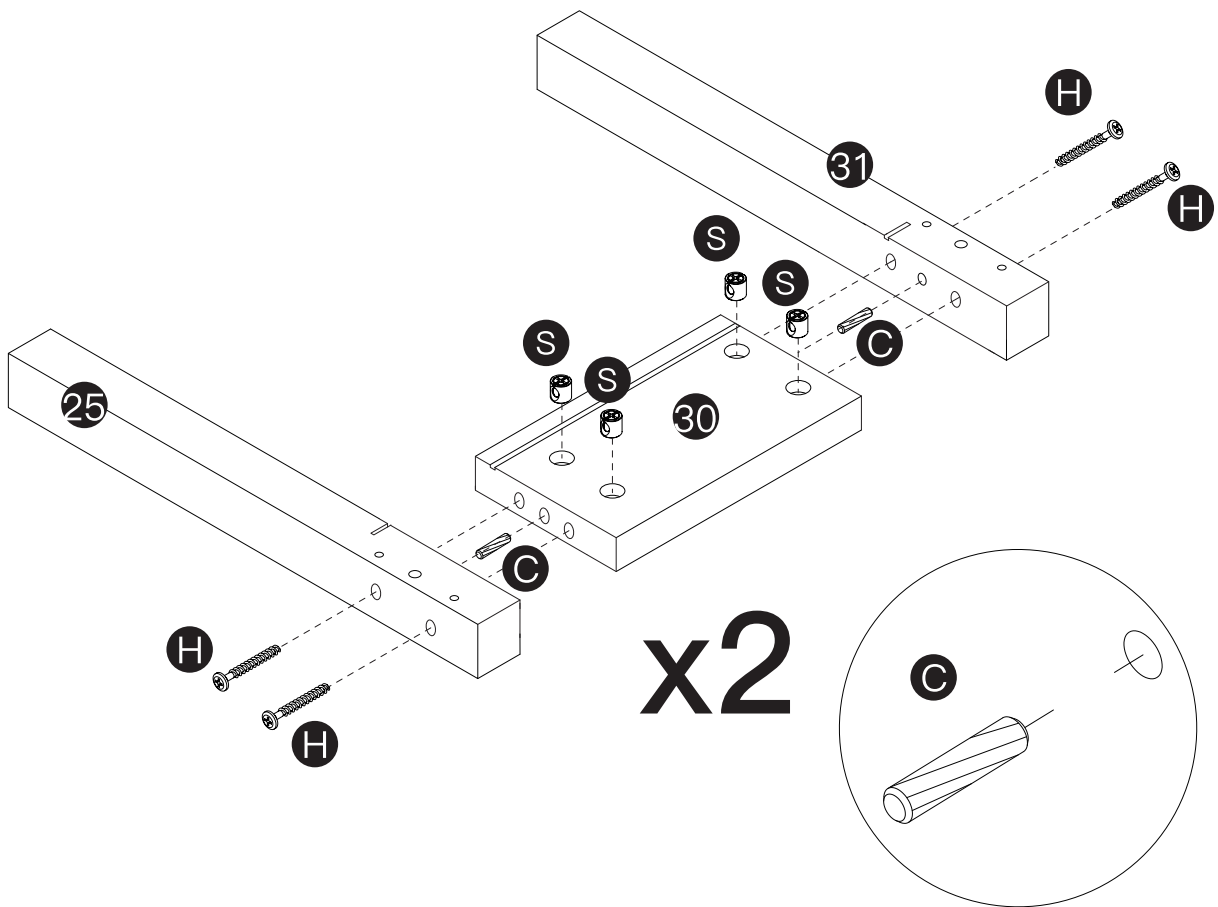
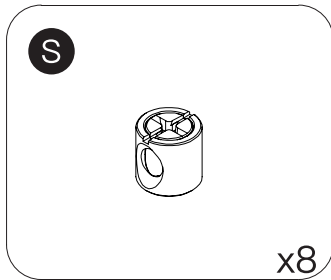
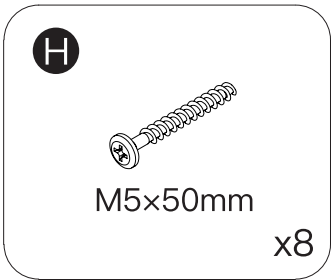
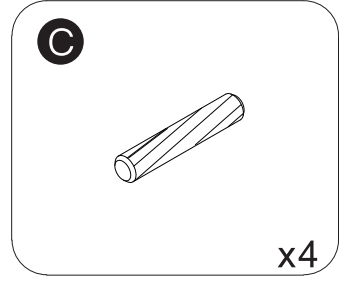
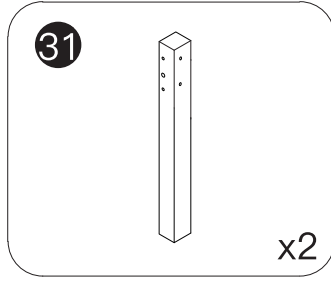
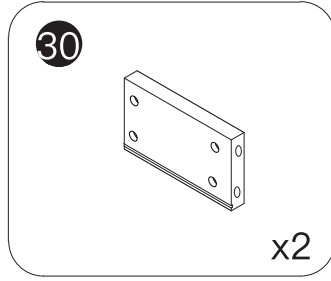
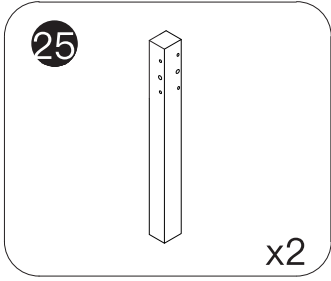




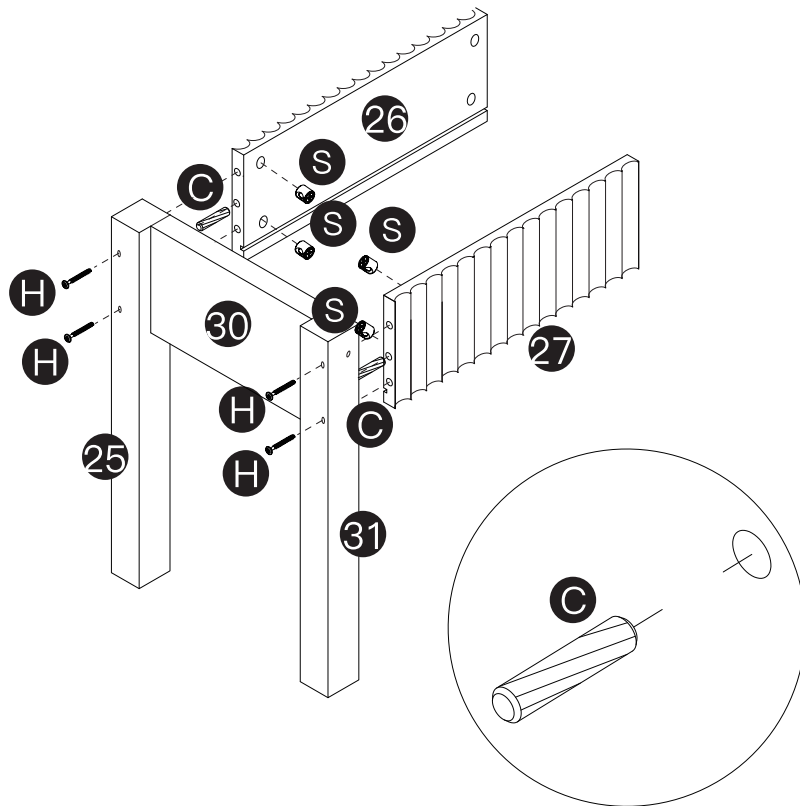
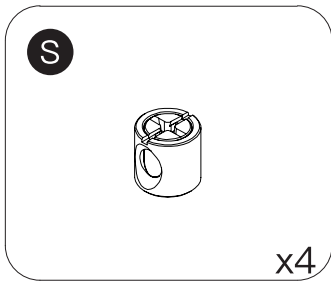
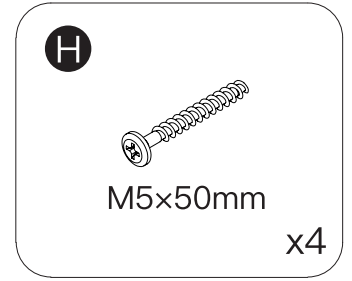
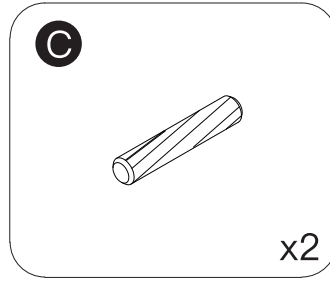
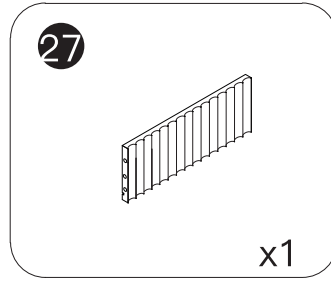
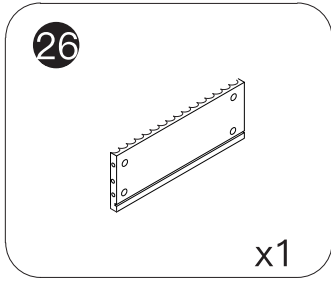
# STEP 44



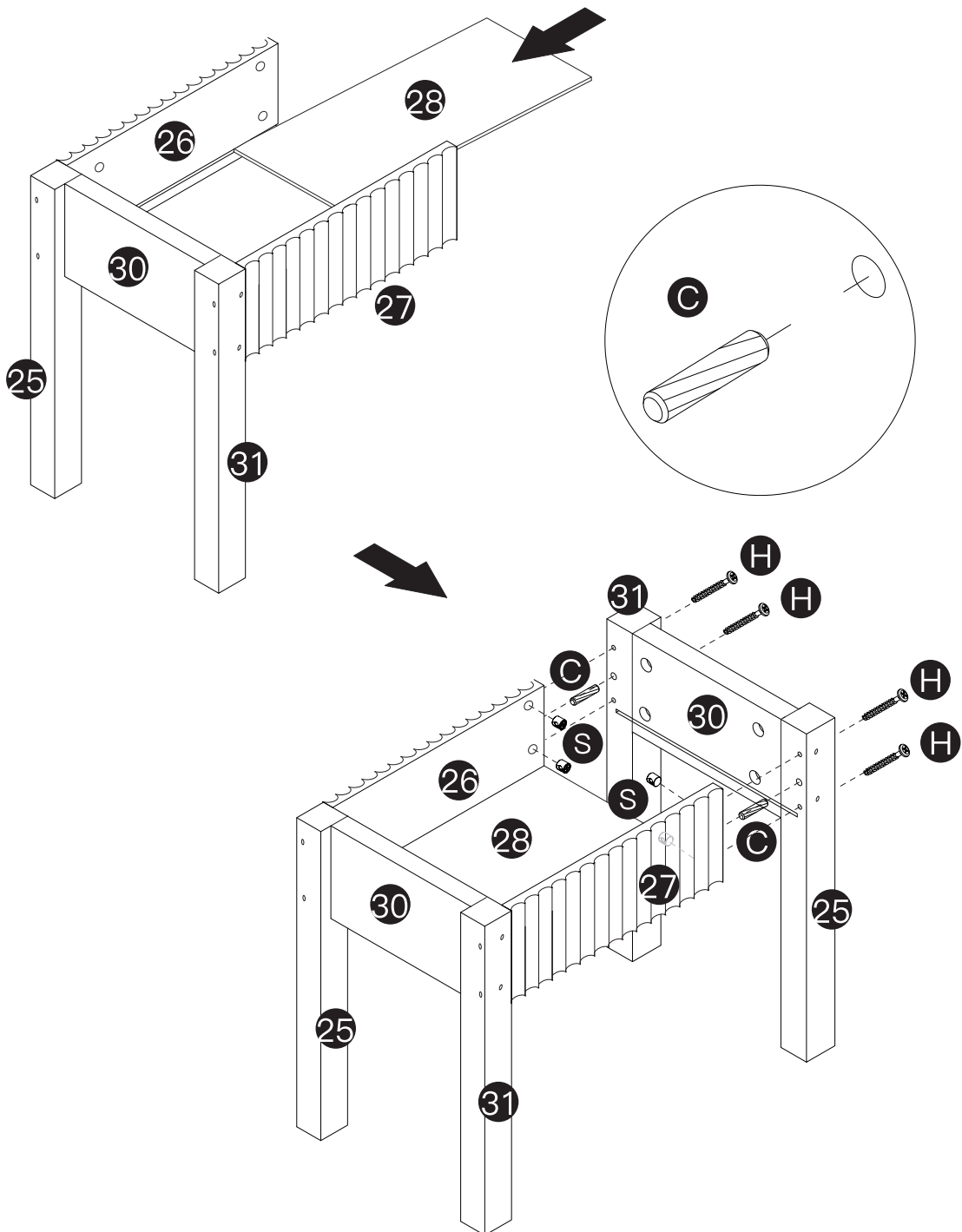
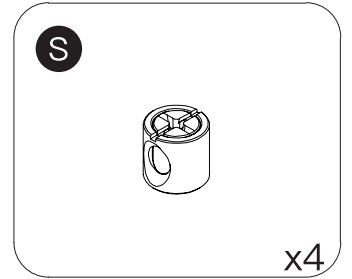
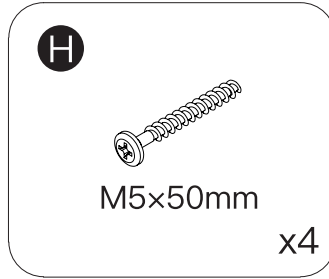
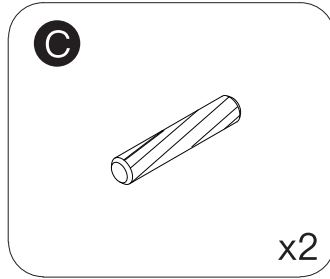
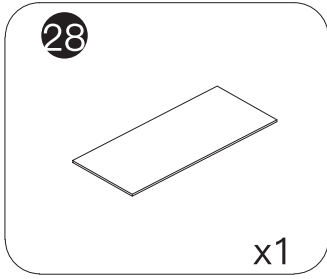
# STEP 45



# STEP 46



# STEP 47



# STEP 48

**E**



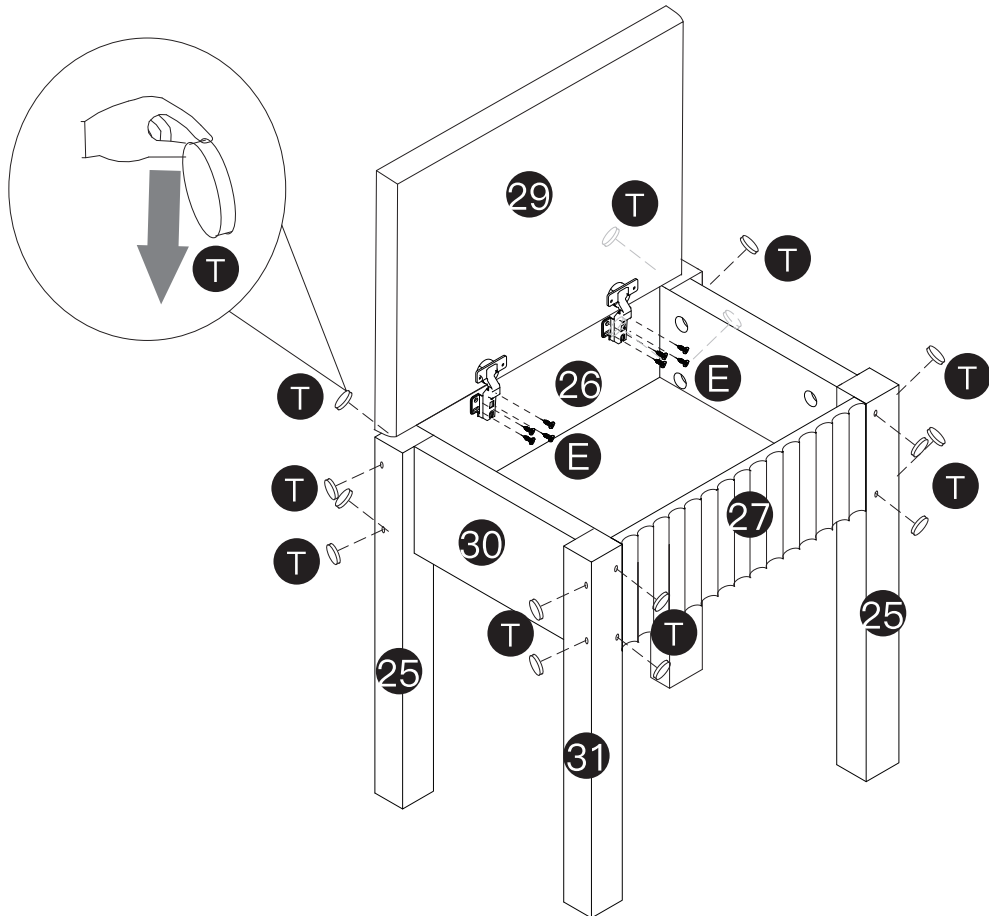
M3.5x12mm

x8

**T**



x16



## After-Sale Support

**Dear Customer,**

Thank you for choosing to purchase our products! We attach great importance to your shopping experience and hope to ensure that you are satisfied with this purchase.

Should you have any questions, please contact us through the original purchase platform. We will reply your messages as soon as possible, please kindly wait for the response from our team.

Thank you again for your understanding and support! If you have any other questions, please feel free to contact us at any time.

Best Regards,  
After sales service team