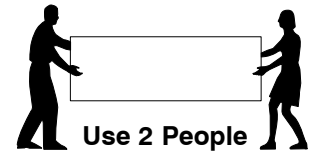
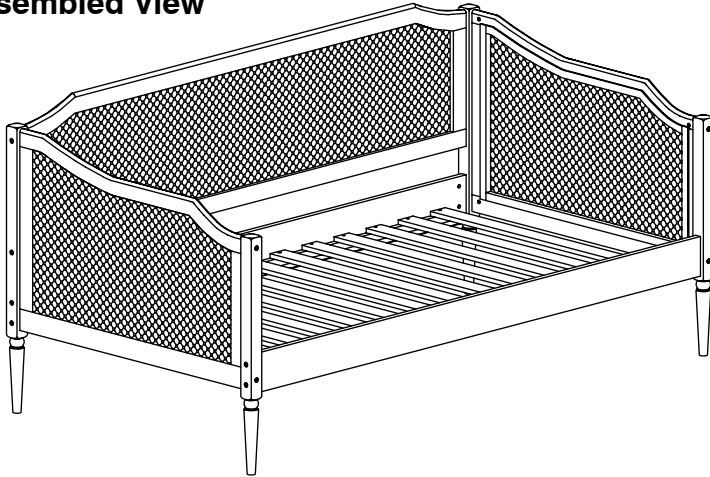


# Daybed

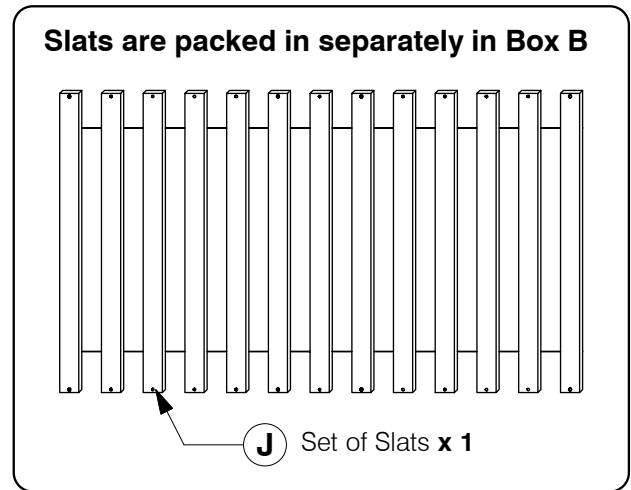
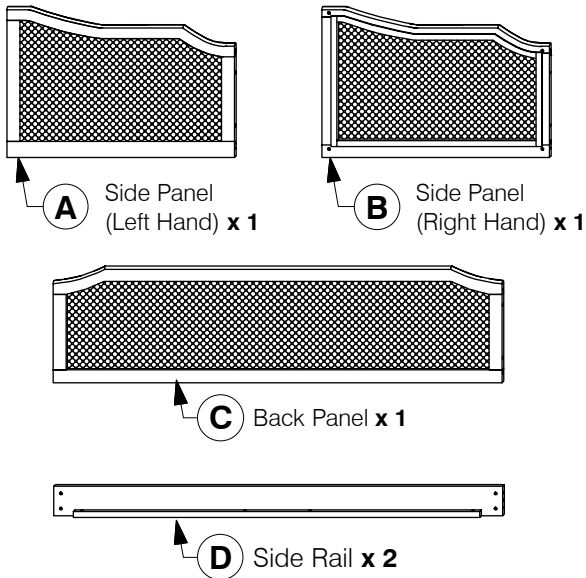
## Assembly Instructions

### 1 Assembled View

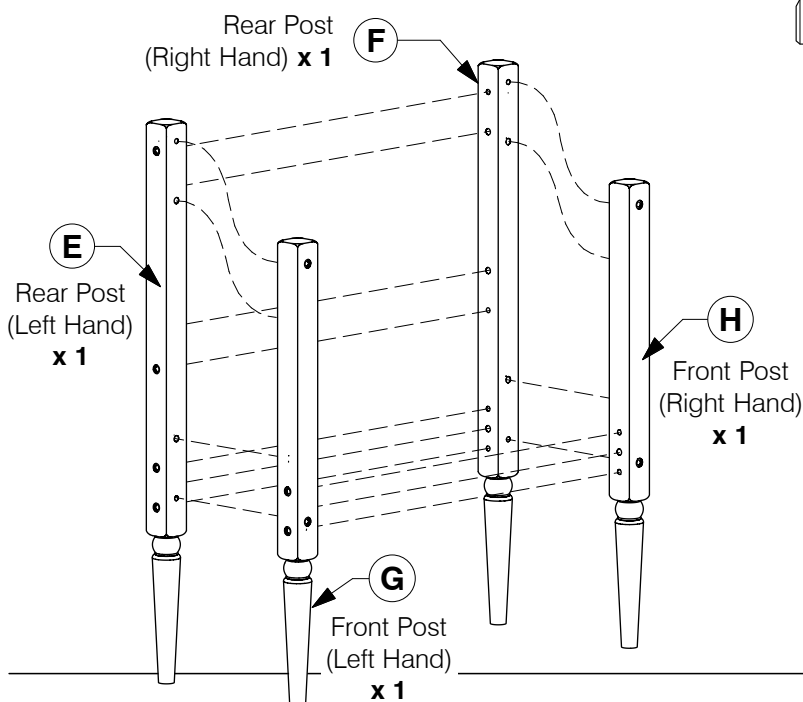


**Note:** Do not assemble using power tools. This can cause the bolts to be overtightened

### 2 Parts in this Box



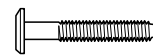
### 3 Hardware in this Box



1 M6 x 90mm JCB  
x 20



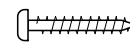
4 Barrel Nut x 20



2 M6 x 40mm JCB  
x 8



5 Wood Dowel (10 x 40mm)  
x 16



3 Wood Screw (M4 x 32mm)  
x 18

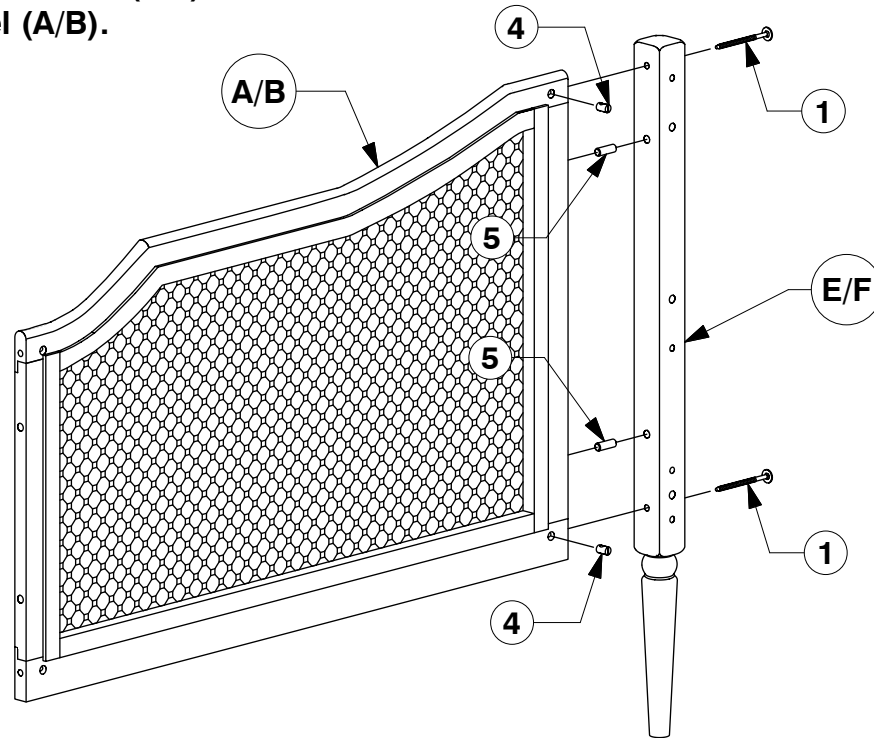


6 Allen Key  
x 1

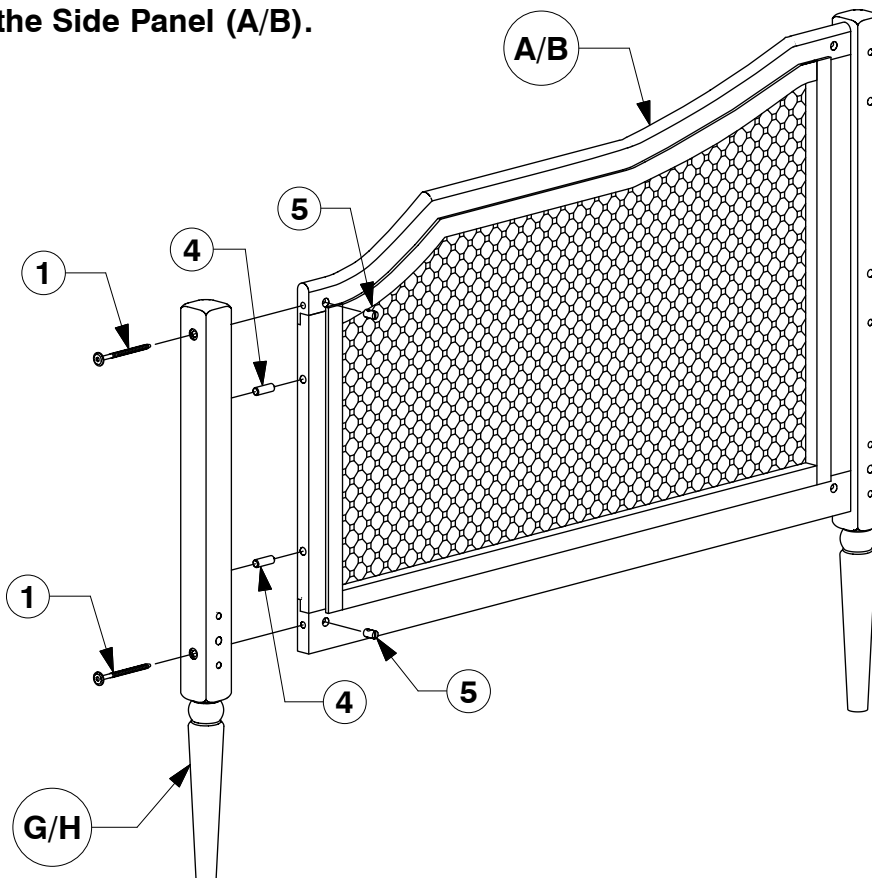
# Daybed

Assembly Instructions

- 4** Assemble the Rear Post (E/F) to the Side Panel (A/B).



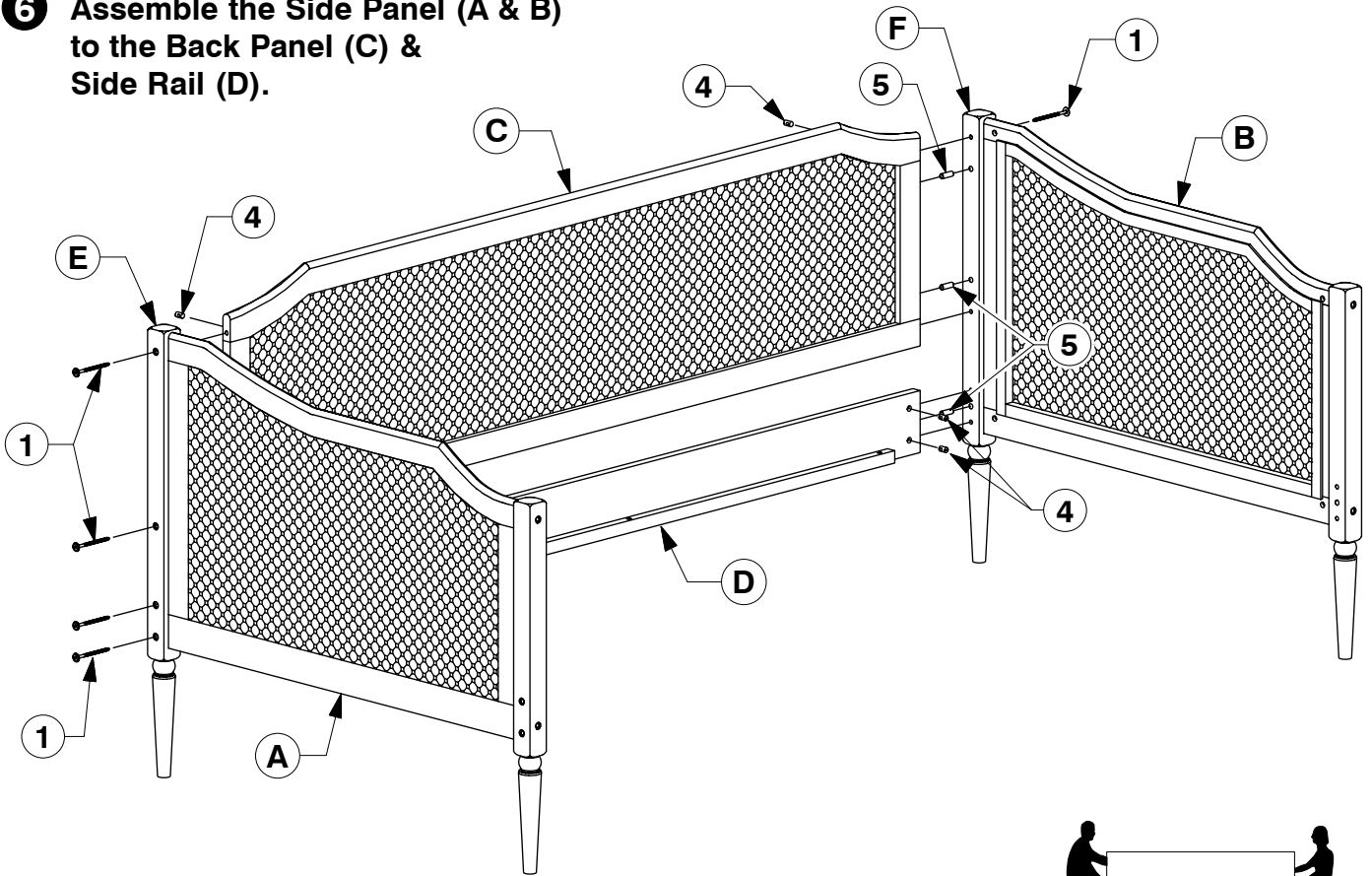
- 5** Assemble the Front Post (G/H) to the Side Panel (A/B).



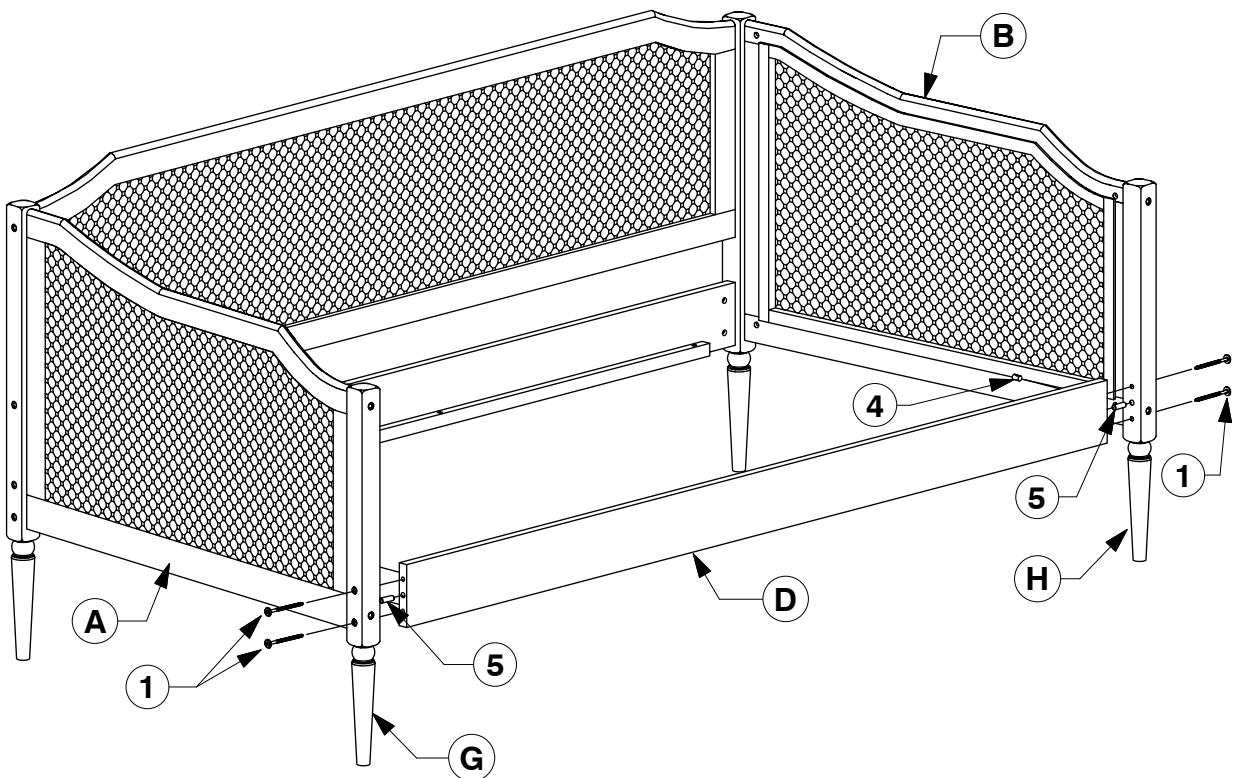
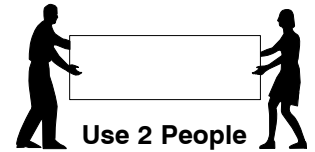
# Daybed

Assembly Instructions

- 6** Assemble the Side Panel (A & B) to the Back Panel (C) & Side Rail (D).



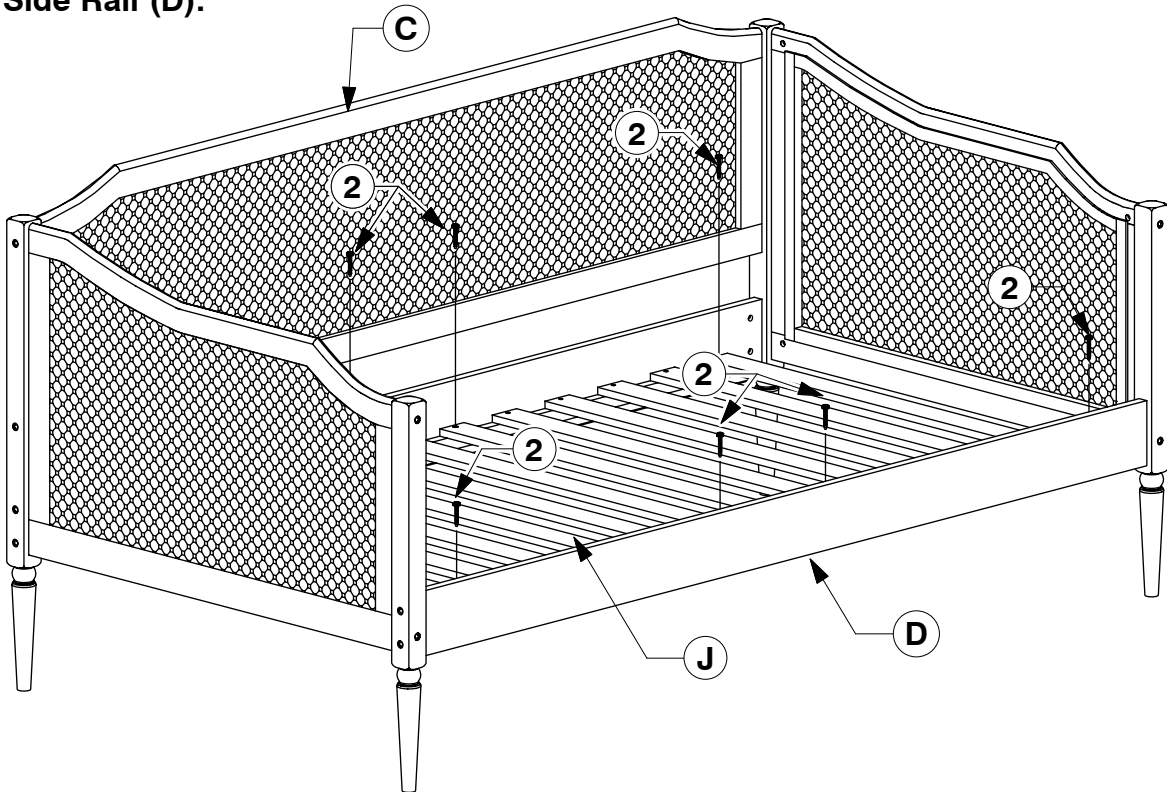
- 7** Assemble the Side Rail (D) to the Front Post (G & H).



# Daybed

Assembly Instructions

- 8** Bolt the Set of Slats (J) between the Side Rail (D).



- 9** Screw the Set of Slats (J) between the Side Rail (D).

