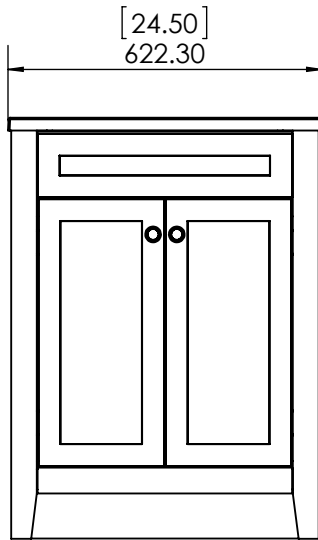
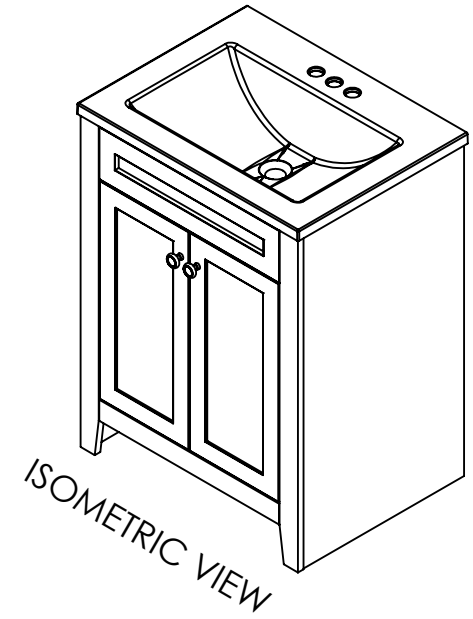
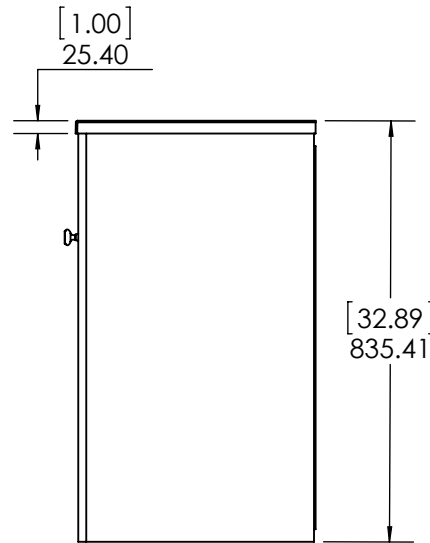


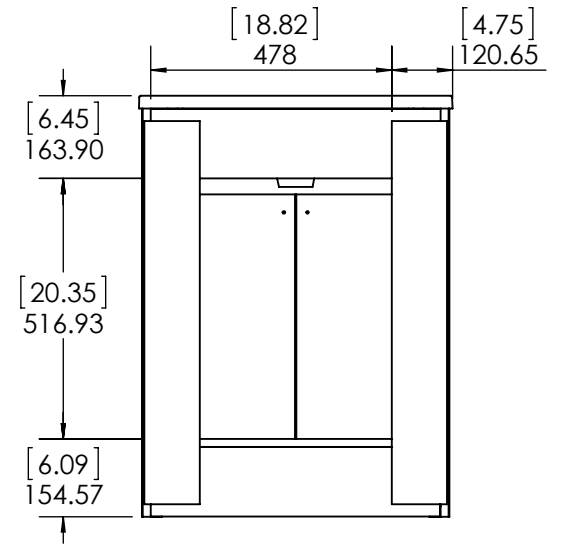
TOP VIEW



FRONT VIEW



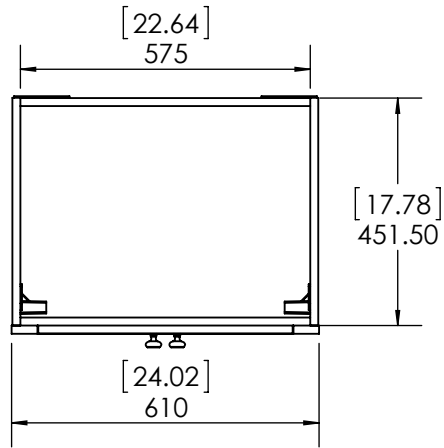
SIDE VIEW



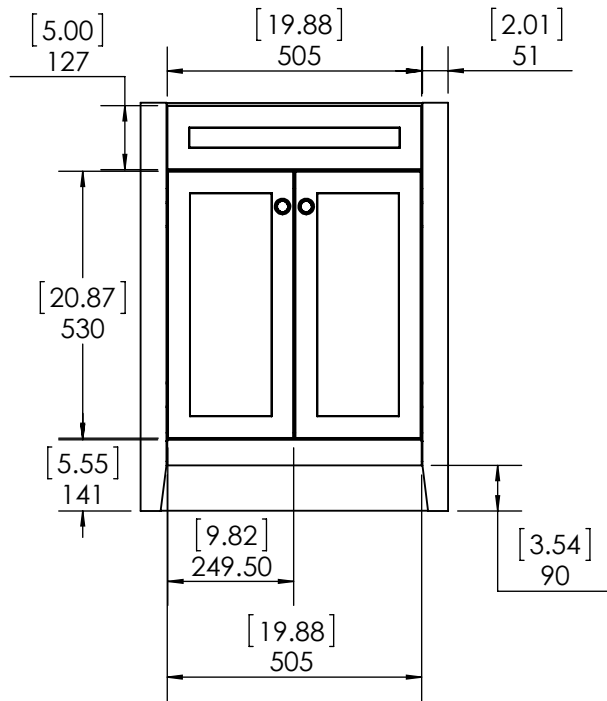
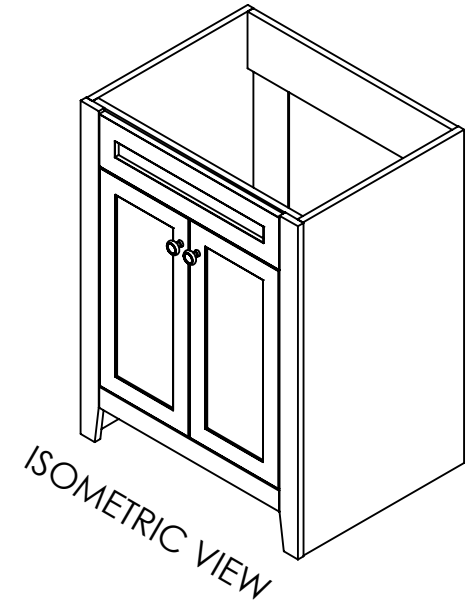
BACK VIEW

ITEM:			REV
			B
NAME:			
MATERIAL: ----			

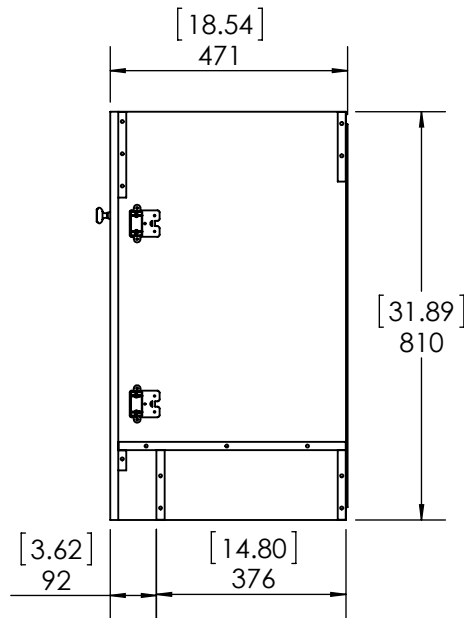
DWR	GUMV	05/31/24
REV	ING	
APR	R&D	



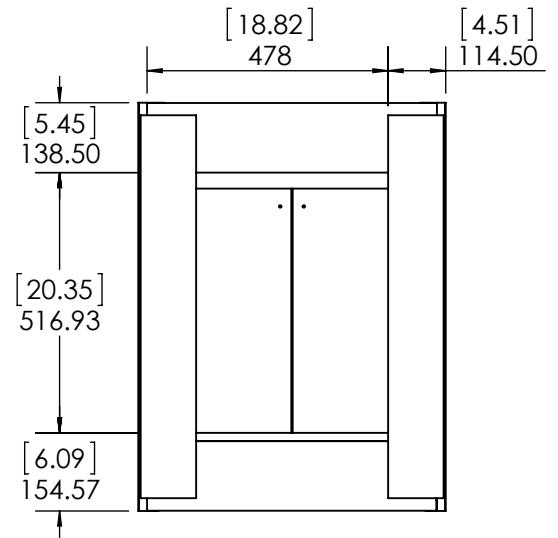
TOP VIEW



FRONT VIEW



SIDE VIEW



BACK VIEW

DWR	GUV	05/31/24
REV	ING	
APR	R&D	

ITEM:	REV B
NAME:	
MATERIAL: ----	

ITEM TYPE	ITEM ID	ITEM DESCRIPTION	DRAWING STATUS
FG		Top, Alpine 24.50x18.75 4in	R&D

REV	DESCRIPTION	DATE	APPROVAL
0	RELEASED	05/09/23	E. SANDOVAL

