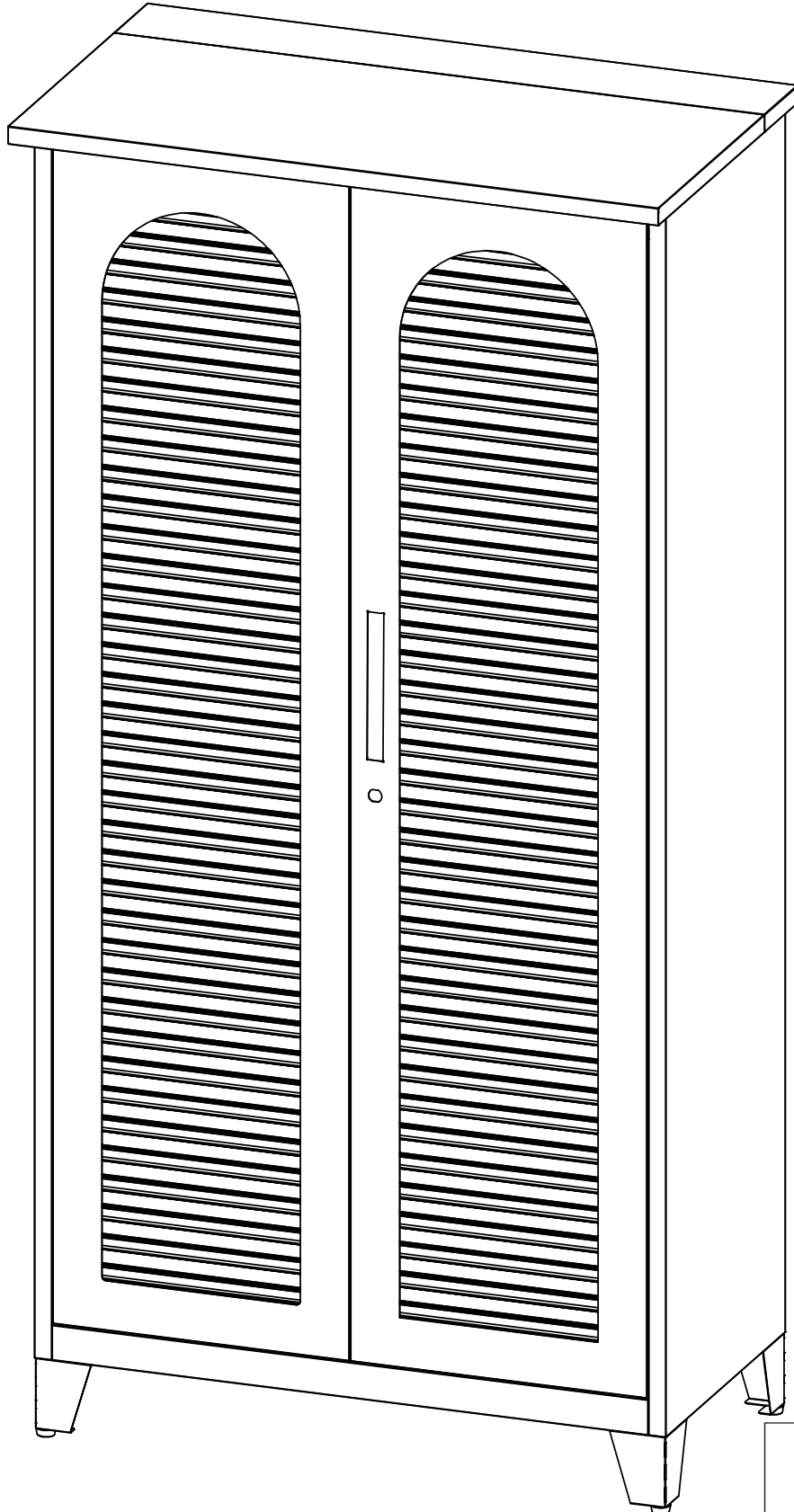


Assembling Guide

Thank you for choosing our product!



2 PERS



40 MINS



Thank you for lighting up another coordinate of our product on the map. We are committed to creating high-quality home living, making every household filled with warmth and comfort.





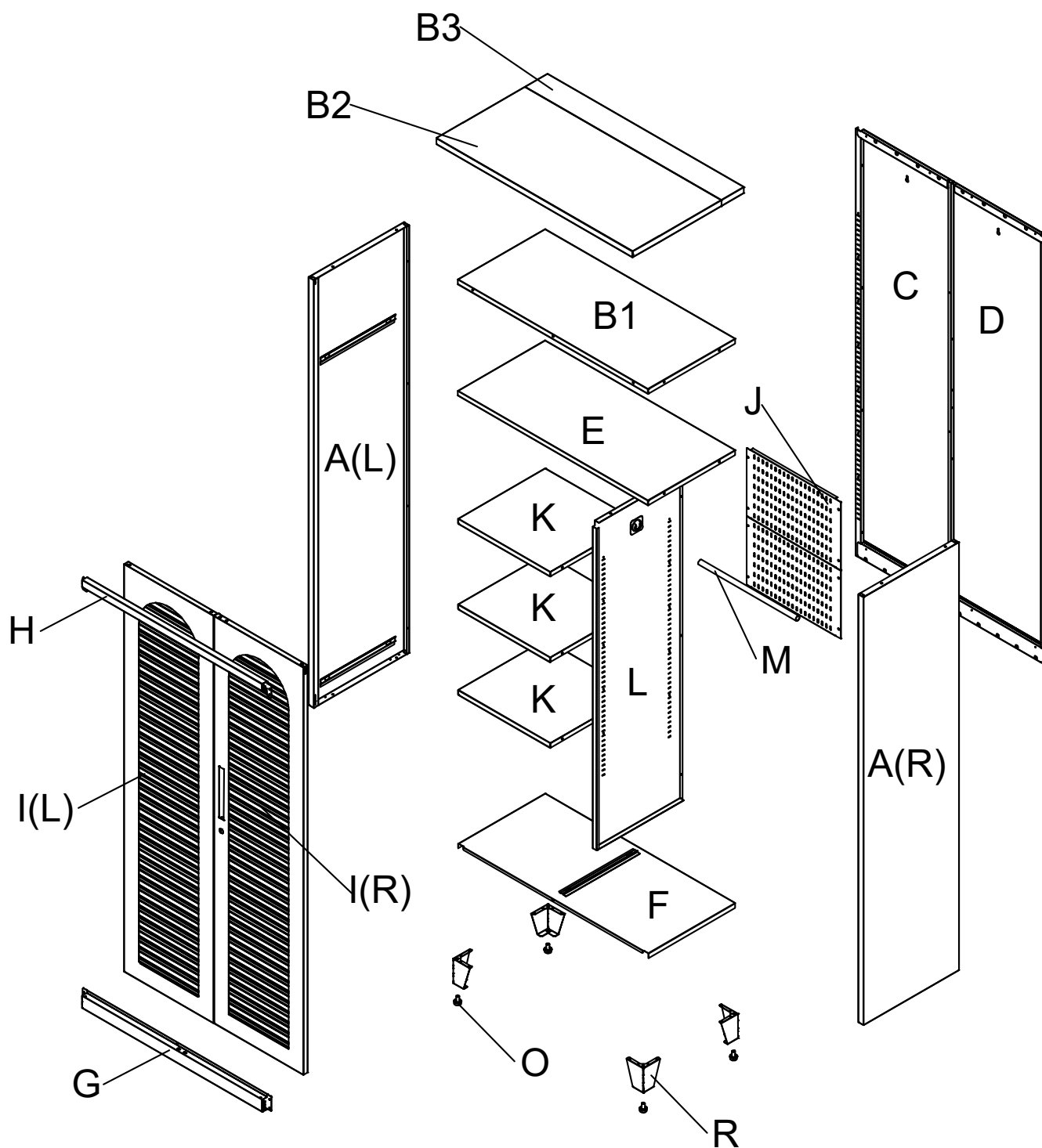
WARNING!



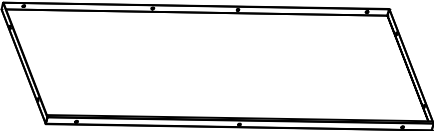




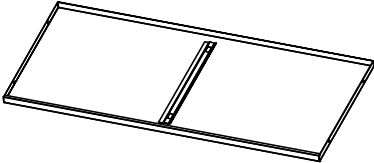
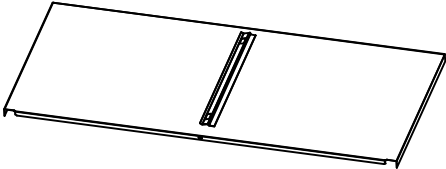

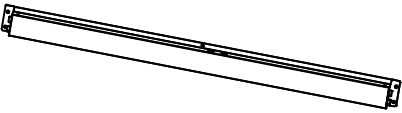

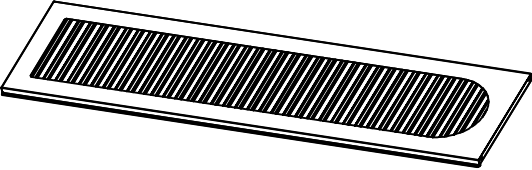
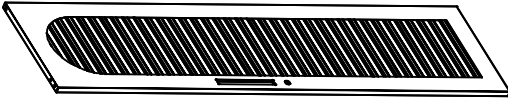
If furniture is tipped over, it may cause serious injury or even death. To prevent tip-over of this furniture, be sure to use it with the wall attachment devices provided. Use the appropriate screws and plugs for your wall.

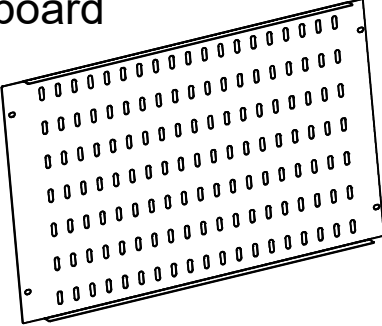
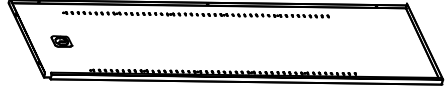

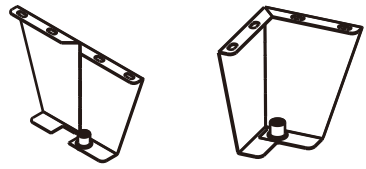
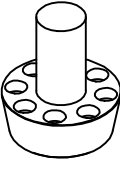
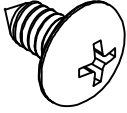
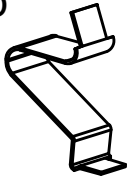
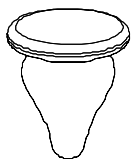
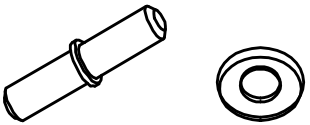
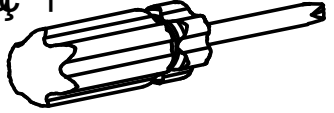
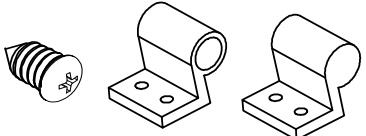
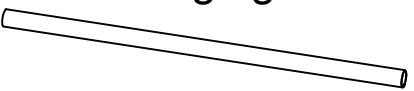

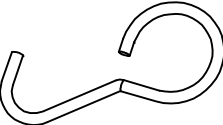
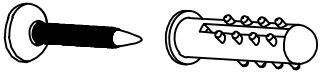
If the supplied wall attachment devices do not match the walls in your home, consult your local professional to use screws and plugs that fit your walls. Please read and follow each step in the instructions carefully.

Please pay attention to the iron corner protectors and cabinet parts inside the package. If the iron corner guard is damaged, you can just discard it; if you find any broken or damaged cabinet parts, please contact customer service

immediately for replacement. Sharp edges of metal parts can cause serious injury.



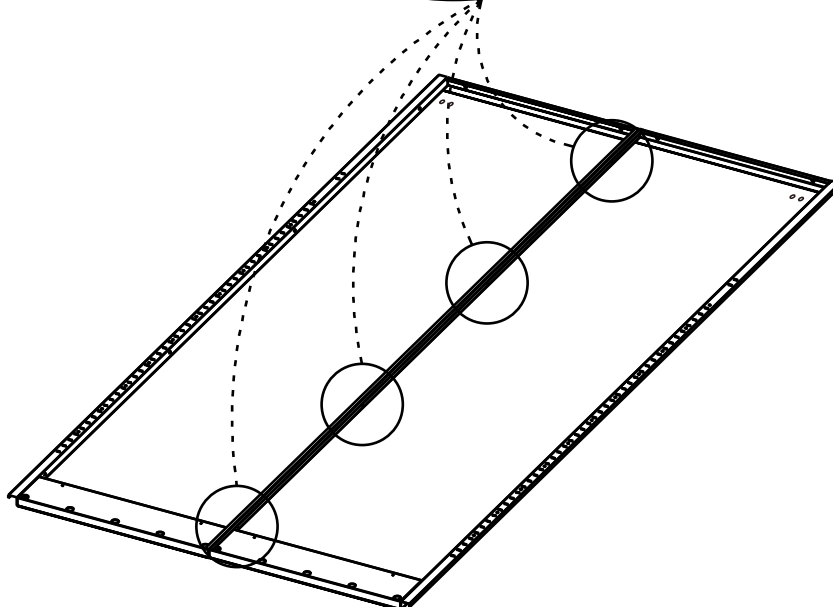
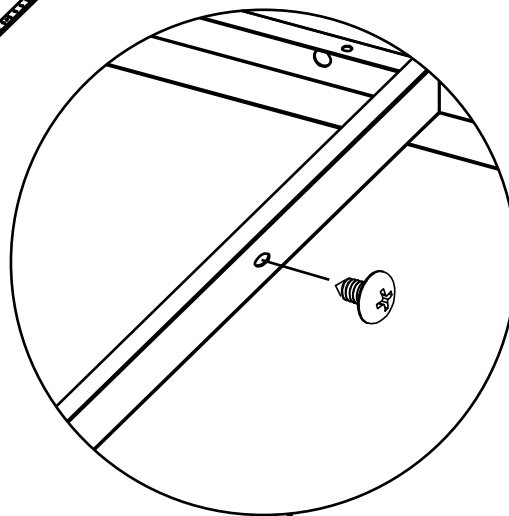
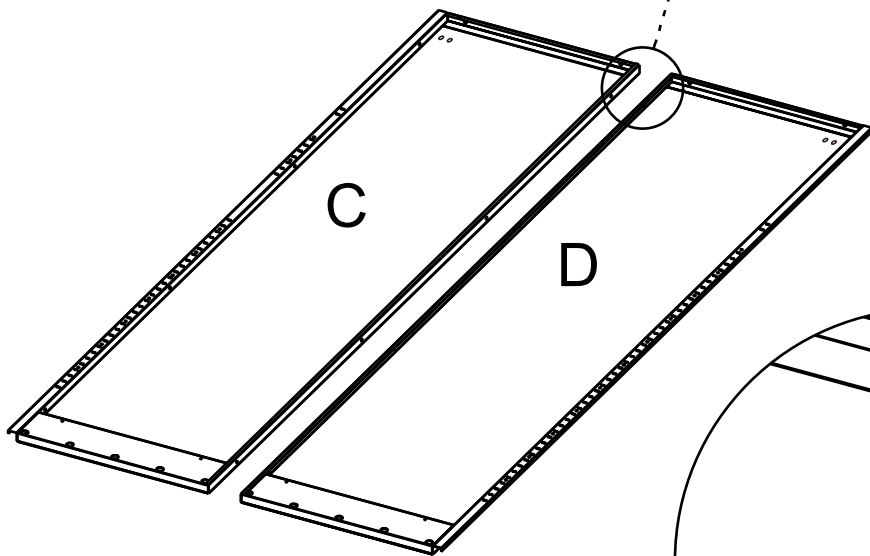
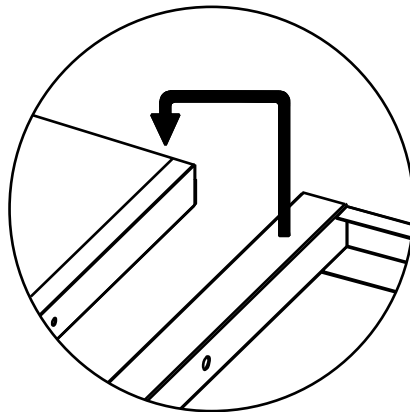
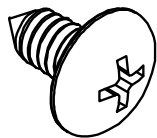
<p>A(L)x1 Left Panel</p> 	<p>A(R)x1 Right Panel</p> 
<p>B1x1 Inner Top Panel</p> 	<p>B2x1 Upper Front Top Panel</p> 
<p>B3x1 Upper Back Top Panel</p> 	<p>Cx1 Left Back Panel</p> 
<p>Dx1 Right Back Panel</p> 	<p>Ex1 Upper Middle Shelf</p> 
<p>Fx1 Base Panel</p> 	<p>Kx3 Left Shelf</p> 
<p>Gx1 Bottom Frame Bar (Thicker)</p> 	<p>Hx1 Top Frame Bar (Thinner)</p> 
<p>I(L)x1 Left Door</p> 	<p>I(R)x1 Right Door</p> 

<p>Jx2 Pegboard</p> 	<p>Lx1 Middle Panel</p> 	
<p>Mx1 Inner Hanging Rod</p> 	<p>Rx4 Standing Foot</p> 	
<p>Ox4 Adjustable Foot</p> 	<p>Sx61 Screw</p> 	
<p>Tx12 Shelf Clip</p> 	<p>Xx2 Bumper Pad</p> 	
<p>Yx2 Hinge and Gasket</p> 	<p>Ù&^, à!ã^!</p>  <p>*It would be better if you could use power tools for installation.</p>	
<p>Z1x2 Towel Hanging Rob Slot</p> 	<p>Z2x1 Towel Hanging Rob</p> 	
<p>M1x5 Pegboard Hook</p> 	<p>M2x3 Rob Hook</p> 	<p>Vx2 Expansion screws</p> 

STEP 1 Install the backs.

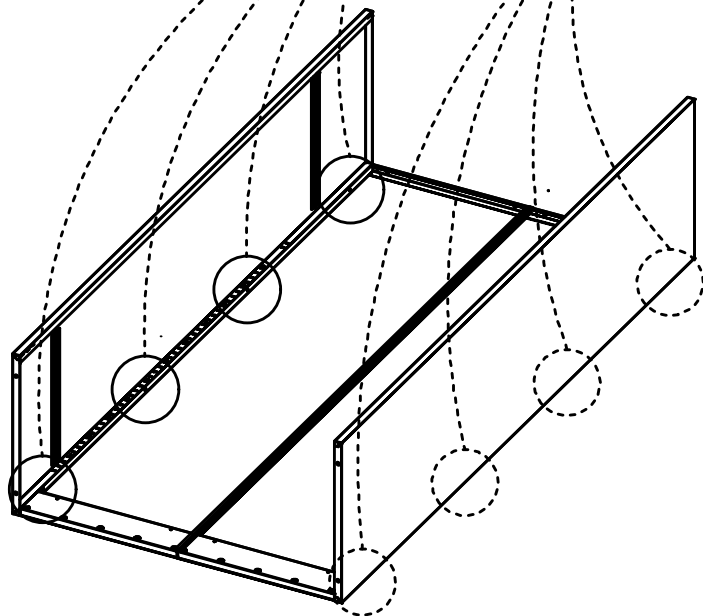
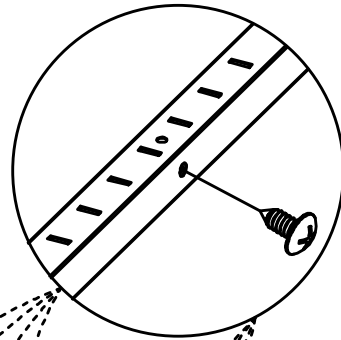
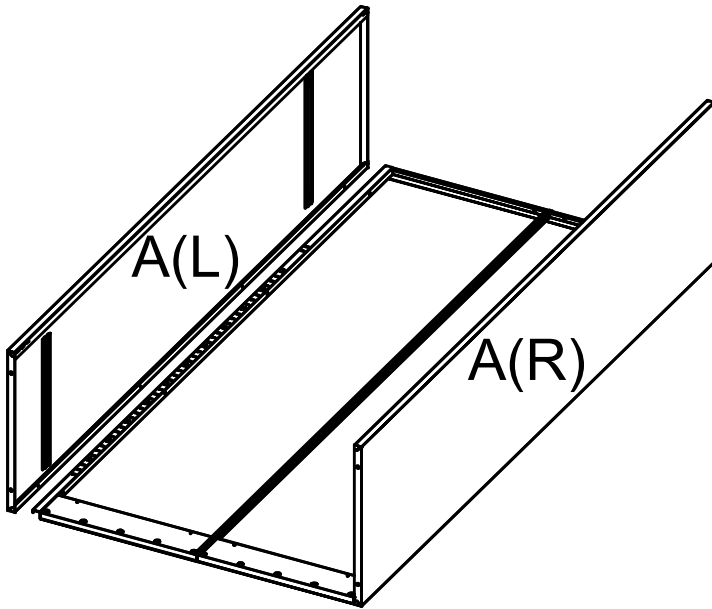
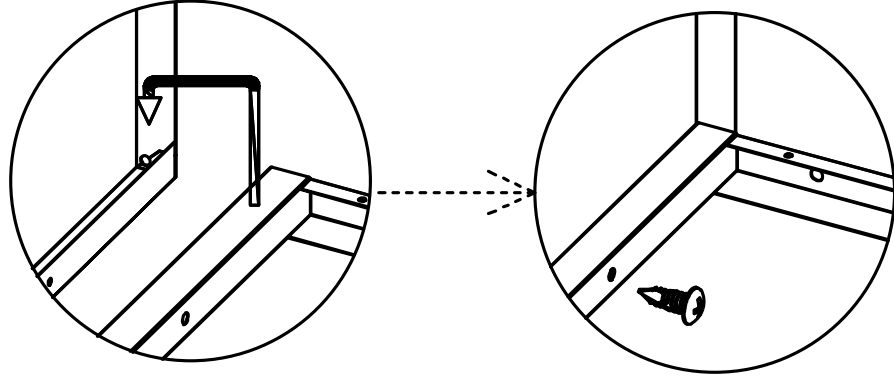
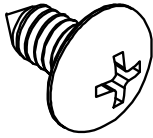
Attach D to C, and secure with 4 S screws.

Sx4



Attach A(L) and A(R) to the back, and secure with 8 S screws.

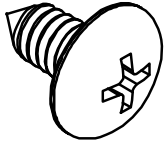
Sx8



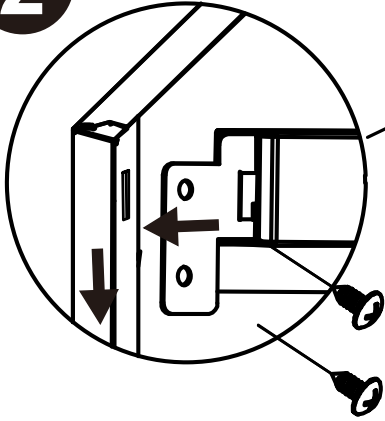
STEP 3 Install the top and bottom frame bar.

Hook in H and G into sides, and secure with 8 S screws.

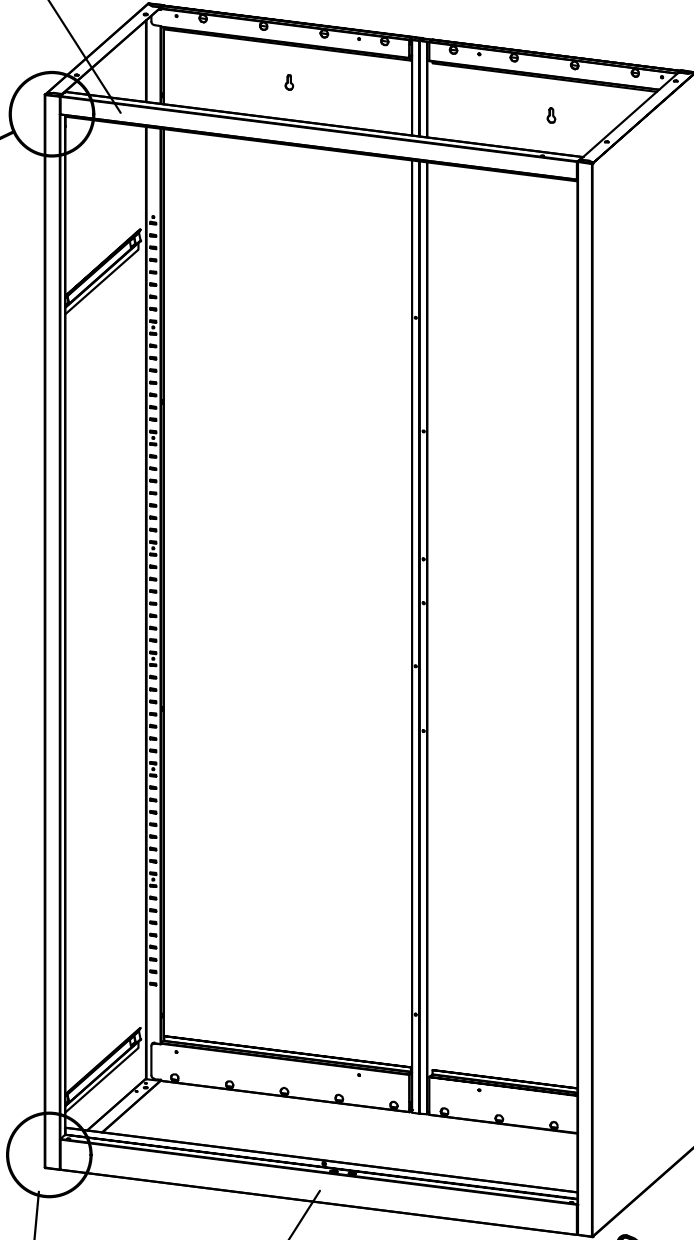
Sx8



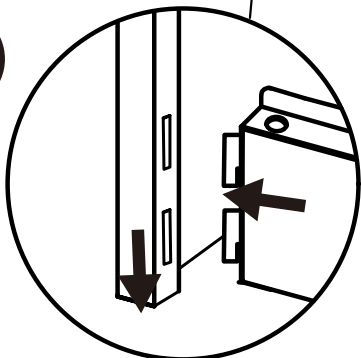
2



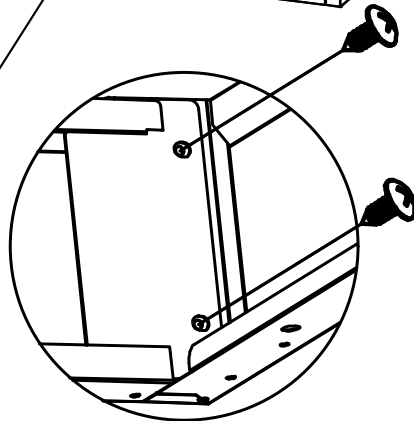
H



1

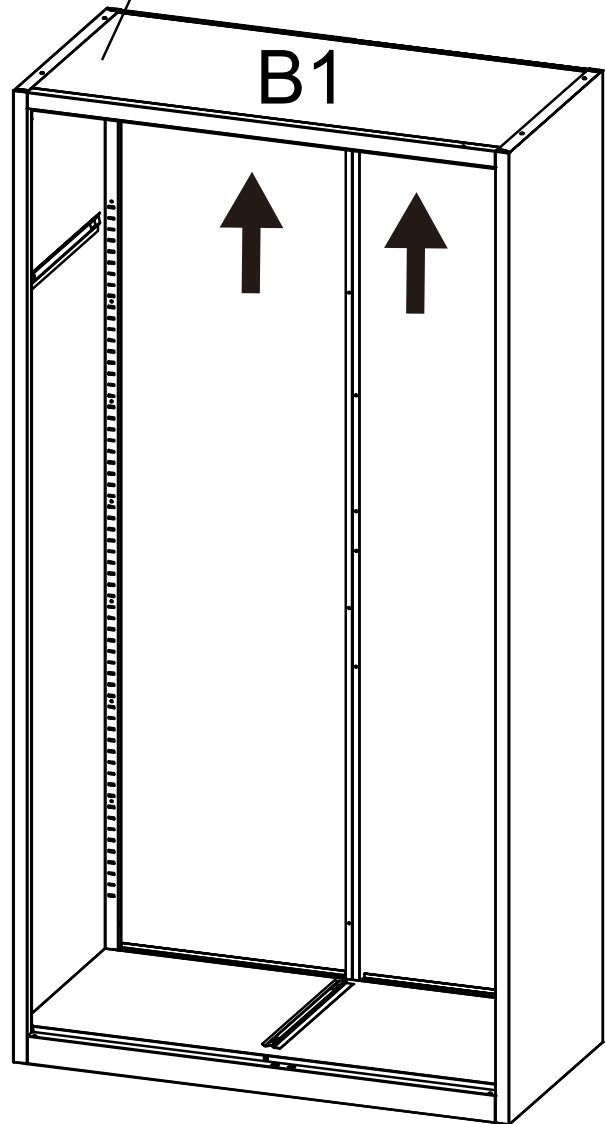
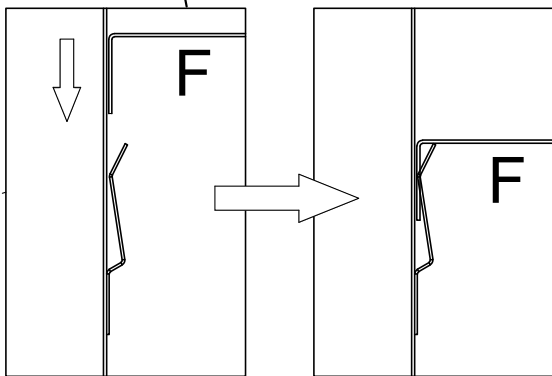
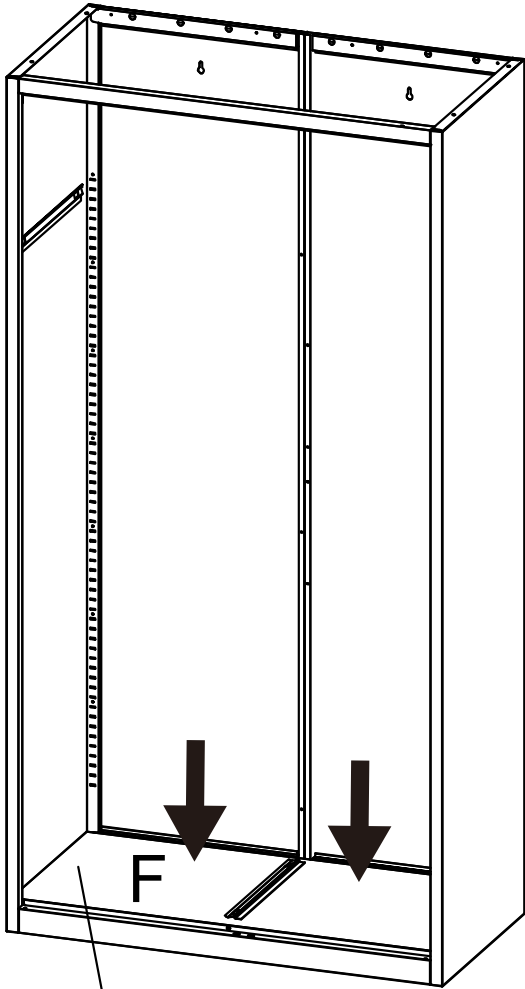


G



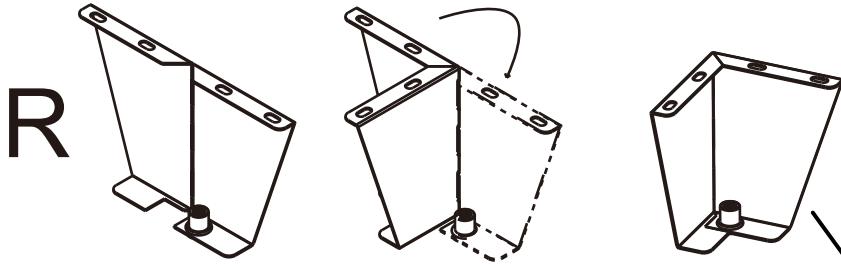
STEP 4 Install the top and bottom panels .

Put F in, lift B1 up and secure with 11 S screws.



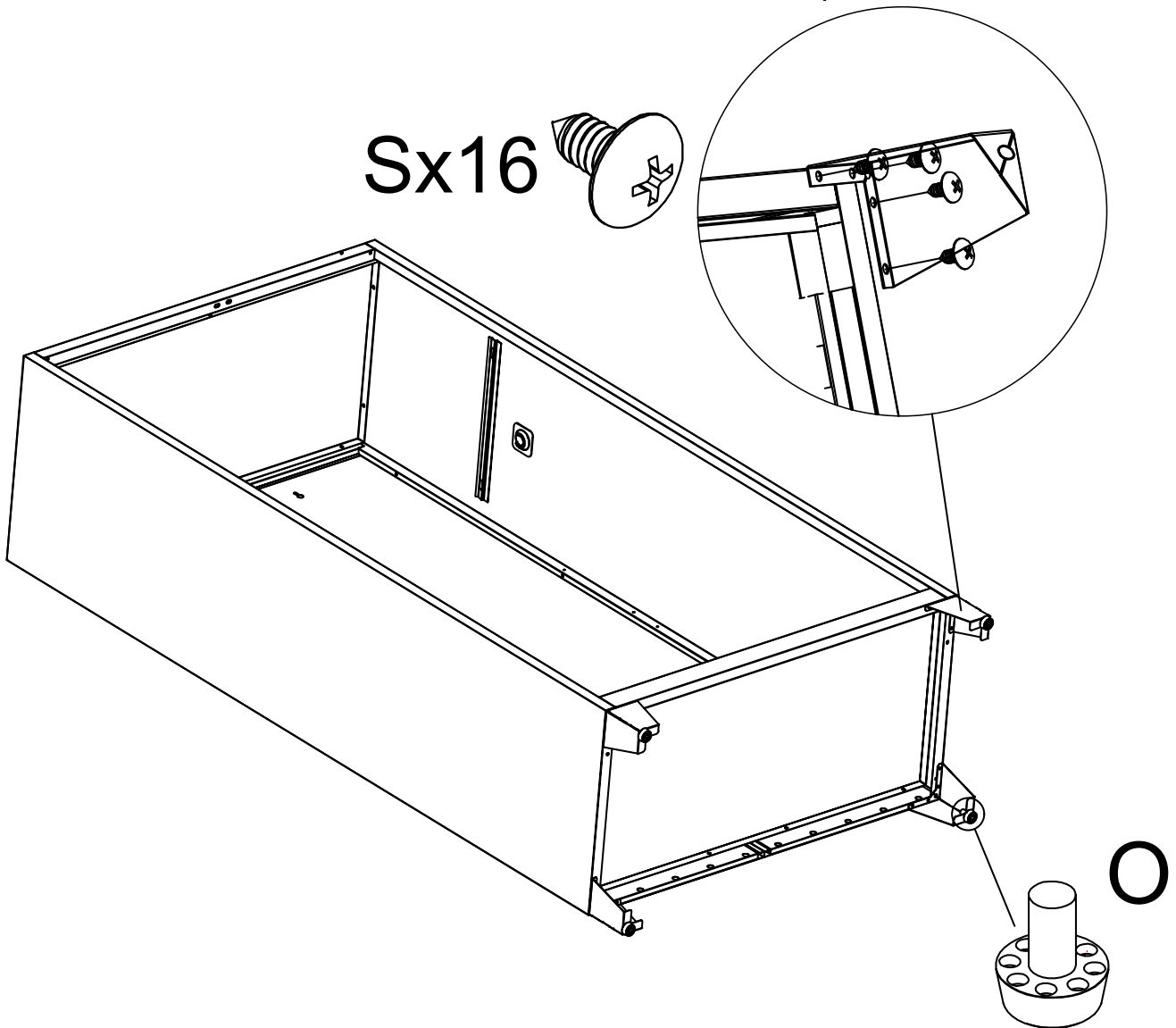
STEP 5 Install the foot stand and adjustable foot.

If the height is perfect for you, then no need to install the feet, you can skip this step.



R

Manually bend the standing foot R into shape and twist the adjustable foot O in.



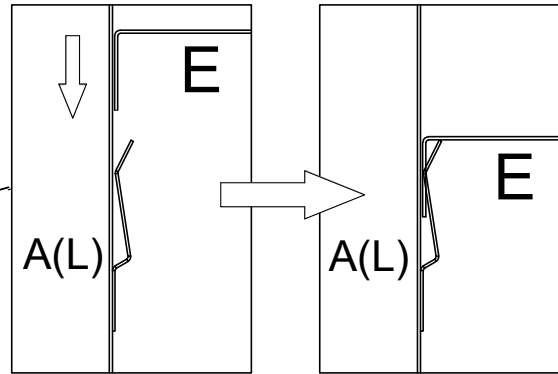
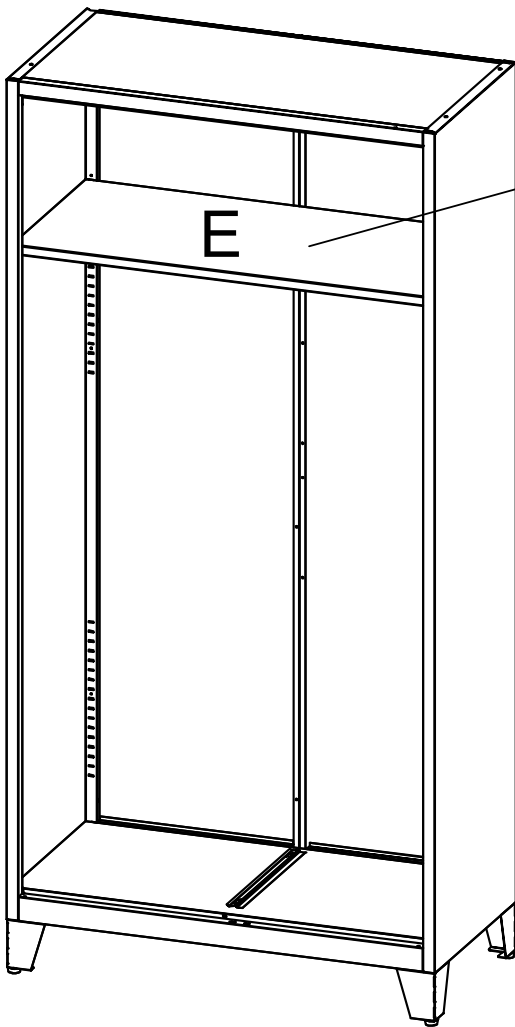
Sx16

O

Step 6 Install the upper middle shelf and middle panel.

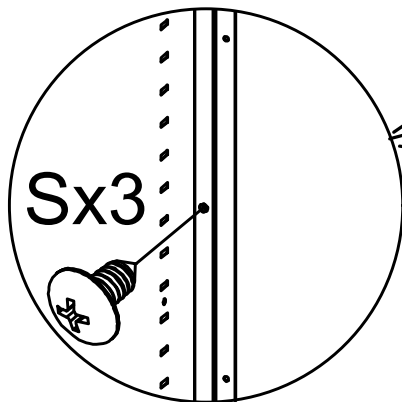
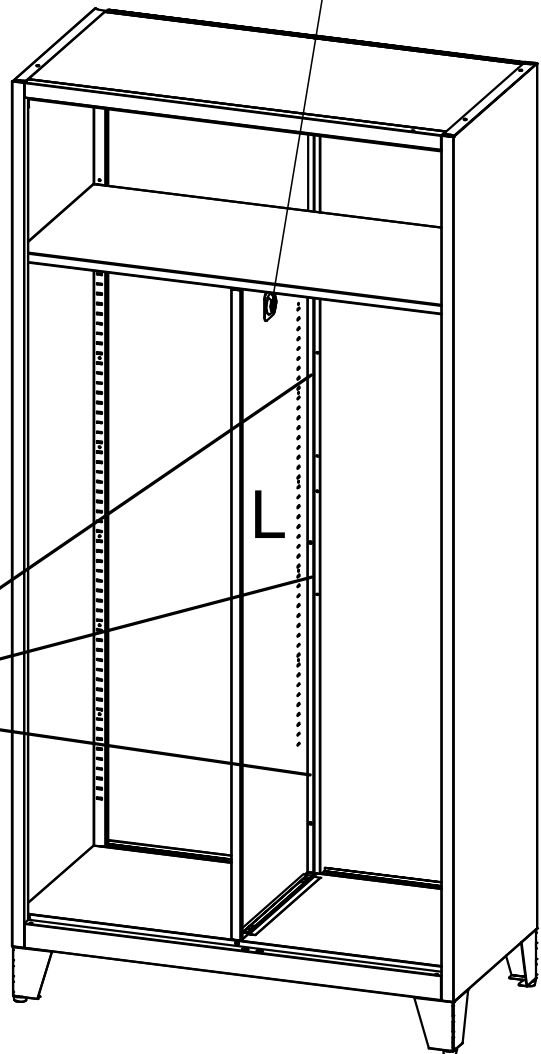
Hook E into sides, then put L in and secure with 3 S screws.

1



2

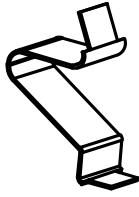
Please ensure that the base of the clothes rod is facing to the right.



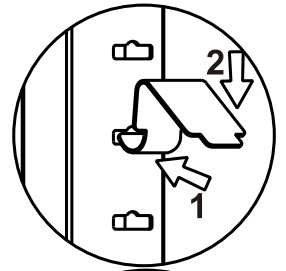
STEP 7 Install the left shelf.

First to clip T in and then put K on it.

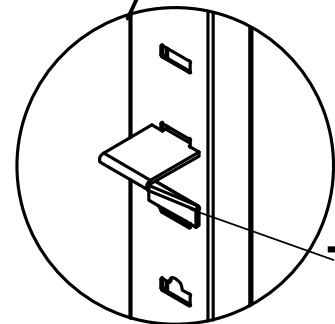
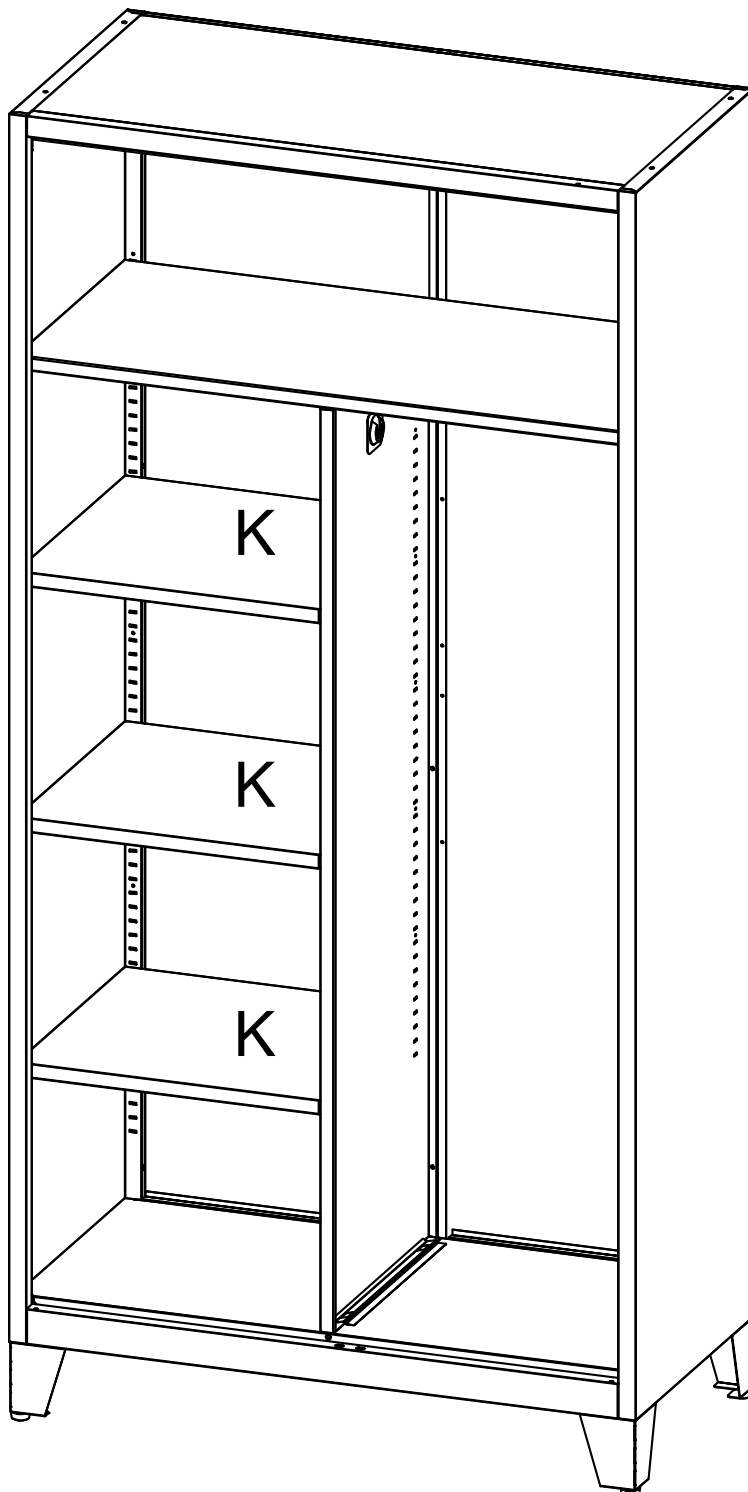
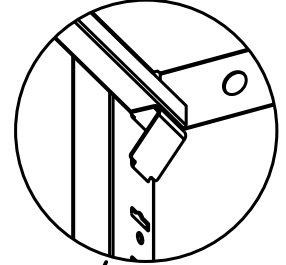
T x12



1. Insert bending side first
2. Fall down the flat side to secure



Now shelf can safely sits on it.



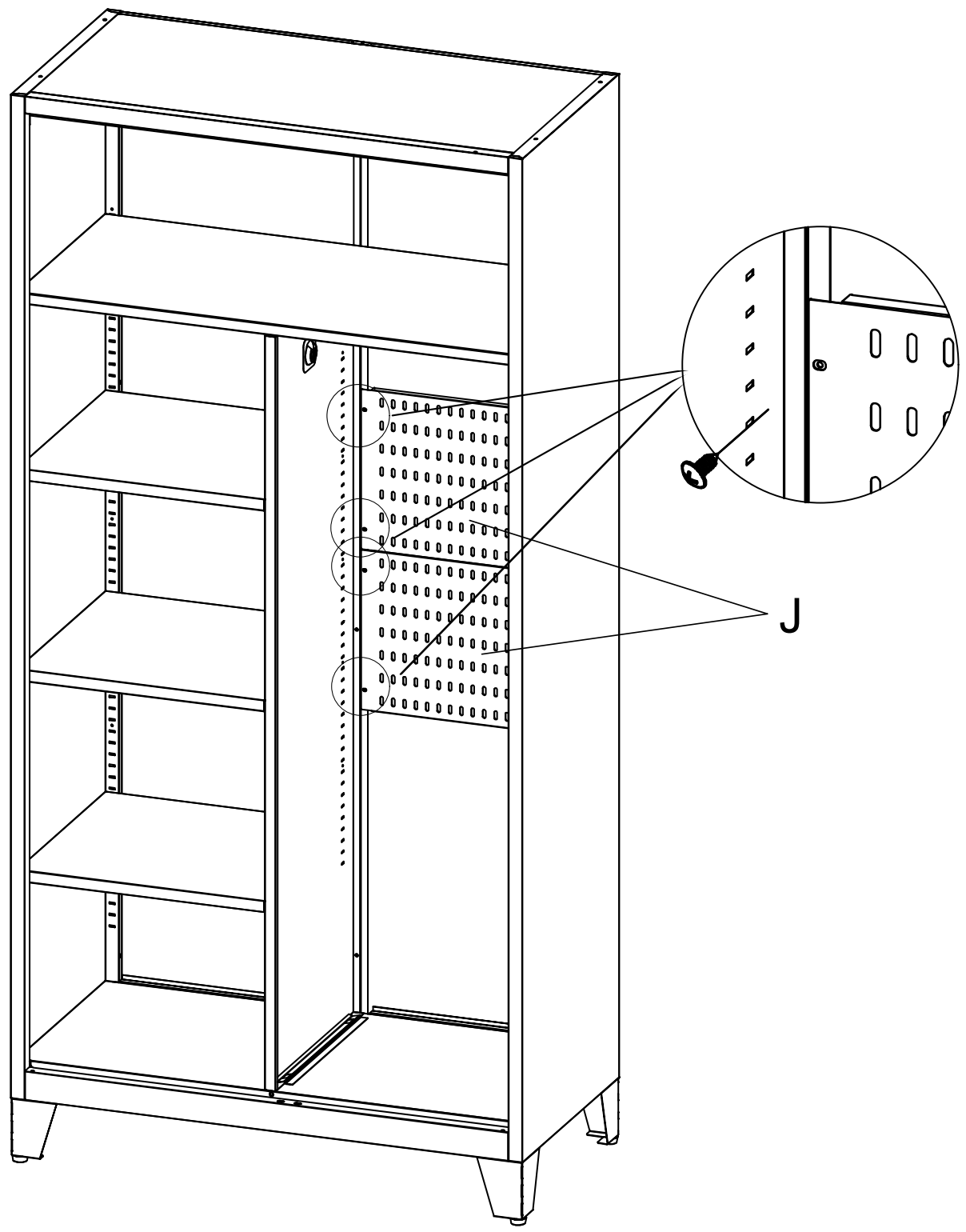
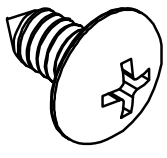
Tx12

Make sure the clips at 4 corners are at the same height.

STEP 8 Install the Pegboard.

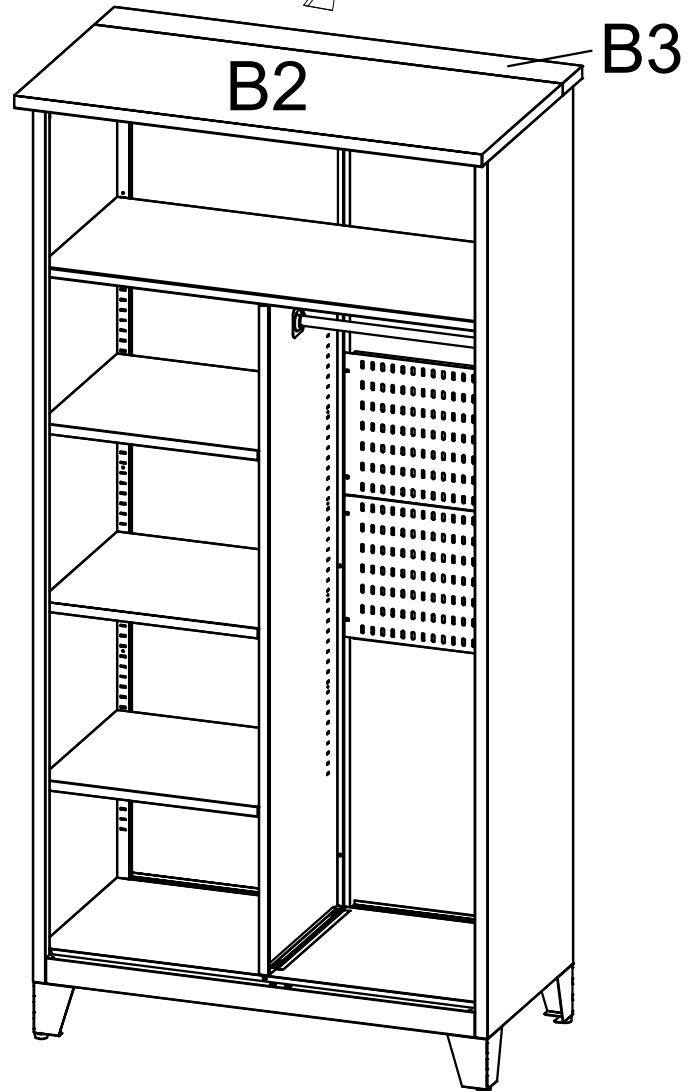
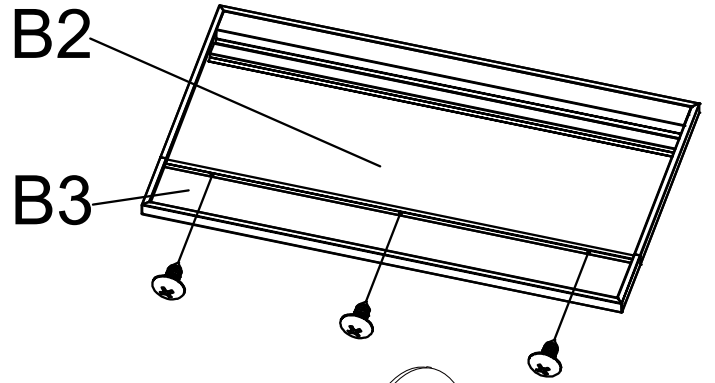
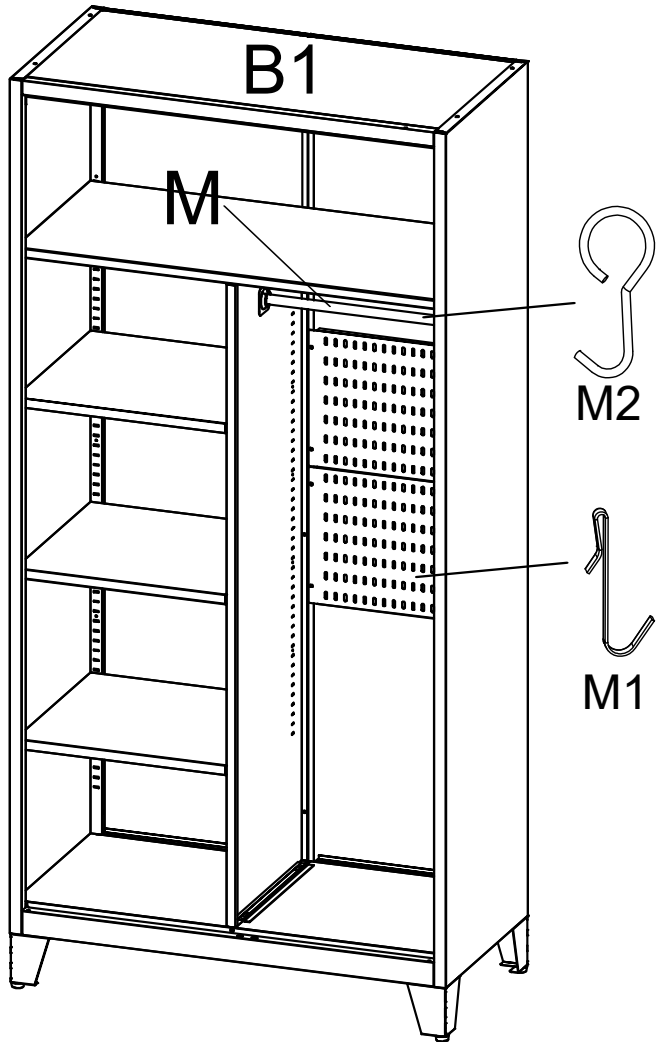
Put J on the right back panel with 8 S screws.

Sx8



STEP 9 Install the hanging rod and upper panels.

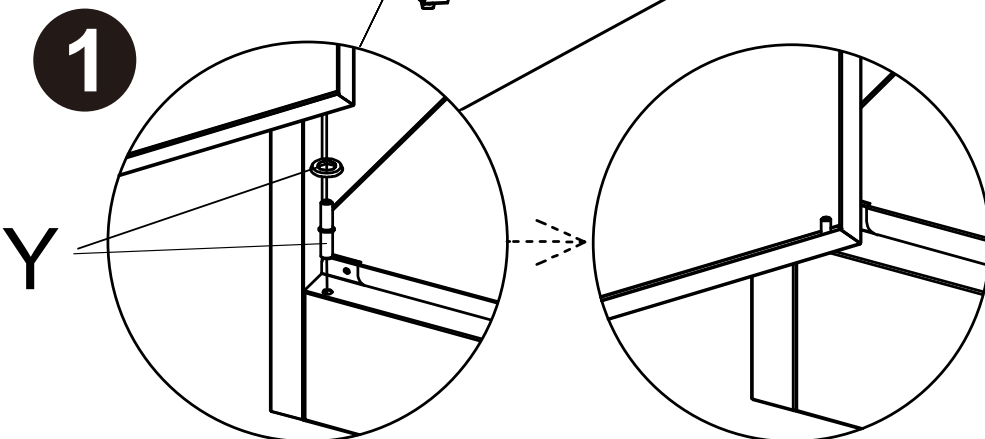
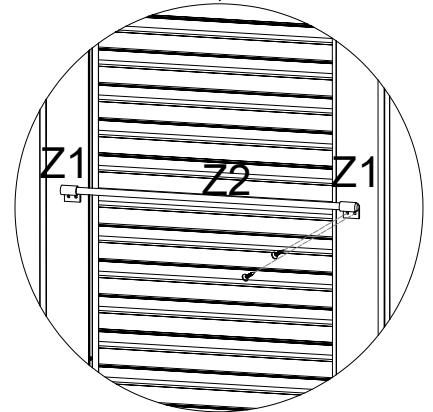
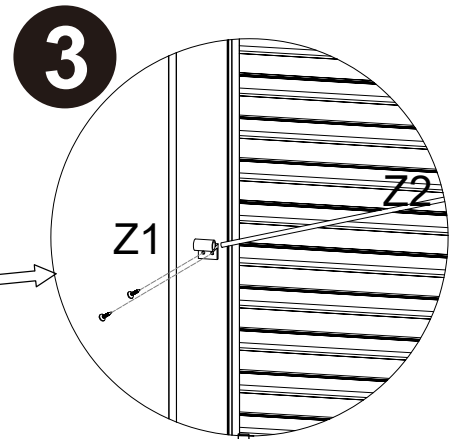
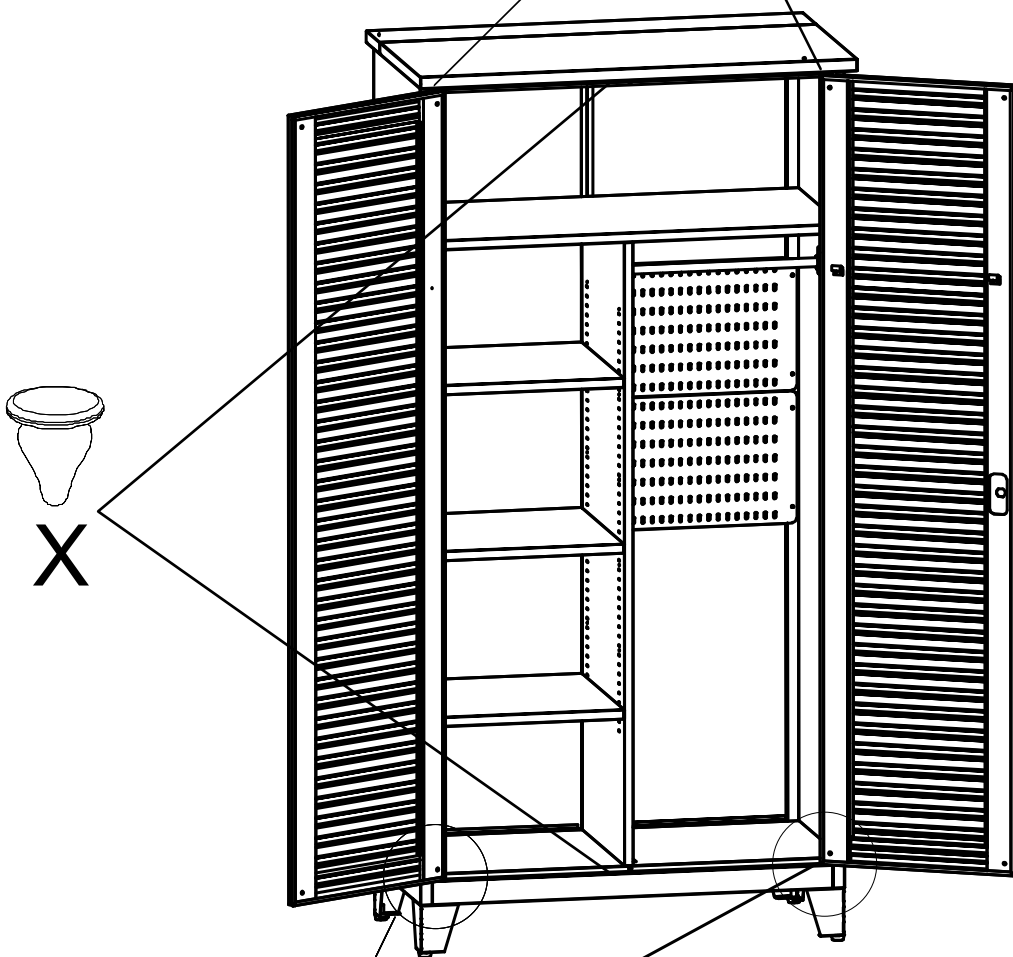
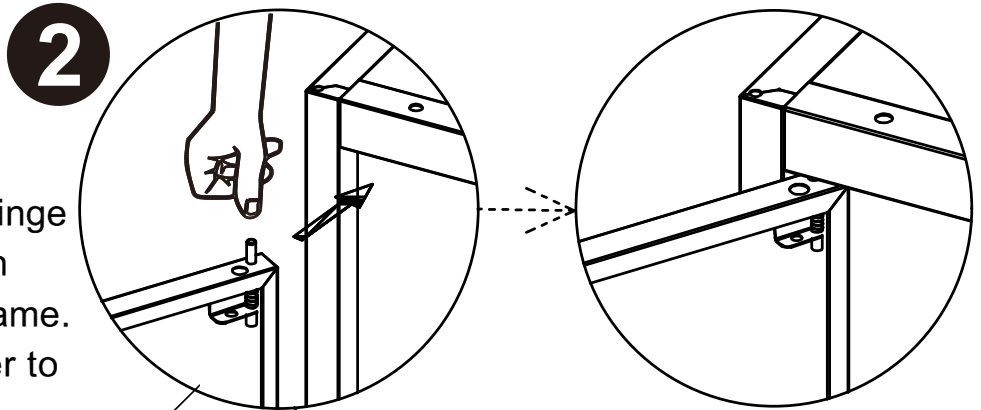
First put M in, then attach B3 to B2 with 3 S screws.
Finally, put B2&B3 on B1.



STEP 10 Install the doors.

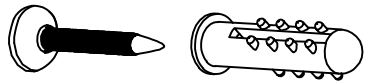
1. First to insert Y (you may need to add 1-2 gaskets) into the holes on bottom frame bar,
2. Then press down the top hinge spring to put the I(L)&I(R) in.
3. Put X into the panels.
4. Install the Z2.

If you can't find the top hinge spring, it may have been pressed into the door frame. Simply use a screwdriver to gently pry it out.

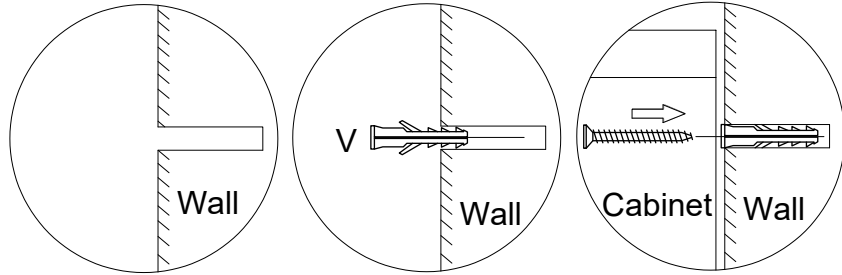


STEP11 Install the Expansion screws.

The cabinet can be fixed to the wall as needed.



V x2



1. Drill holes on the wall
2. Insert V
3. Fasten the screw from cabinet

