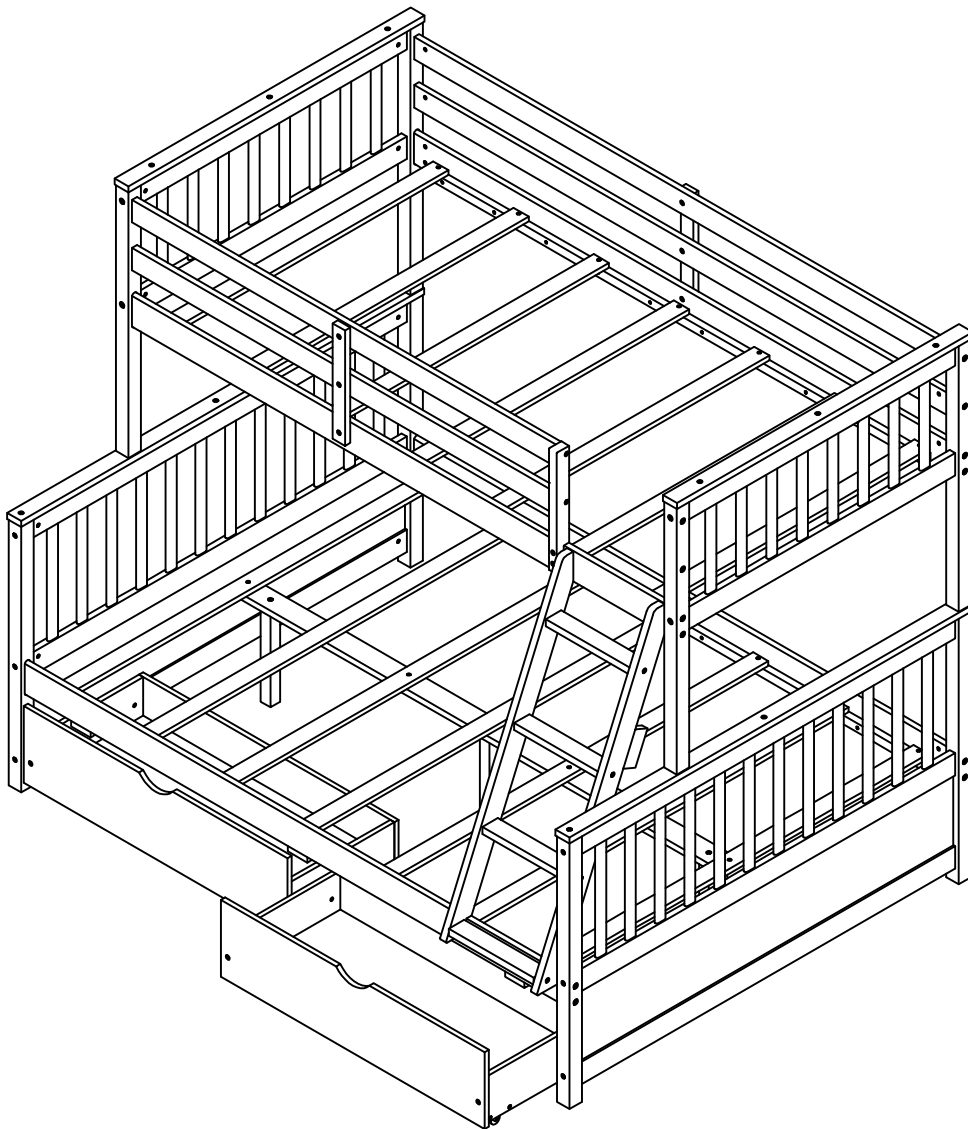


ASSEMBLY INSTRUCTIONS

TWIN/FULL BUNK BED WITH 2 DRAWERS





SAFETY WARNING



1. This bed is designed for use only mattress (es) meeting the following specifications on the upper bunk, and lower bunk:

Upper bunk (Bunk bed and tribed included)

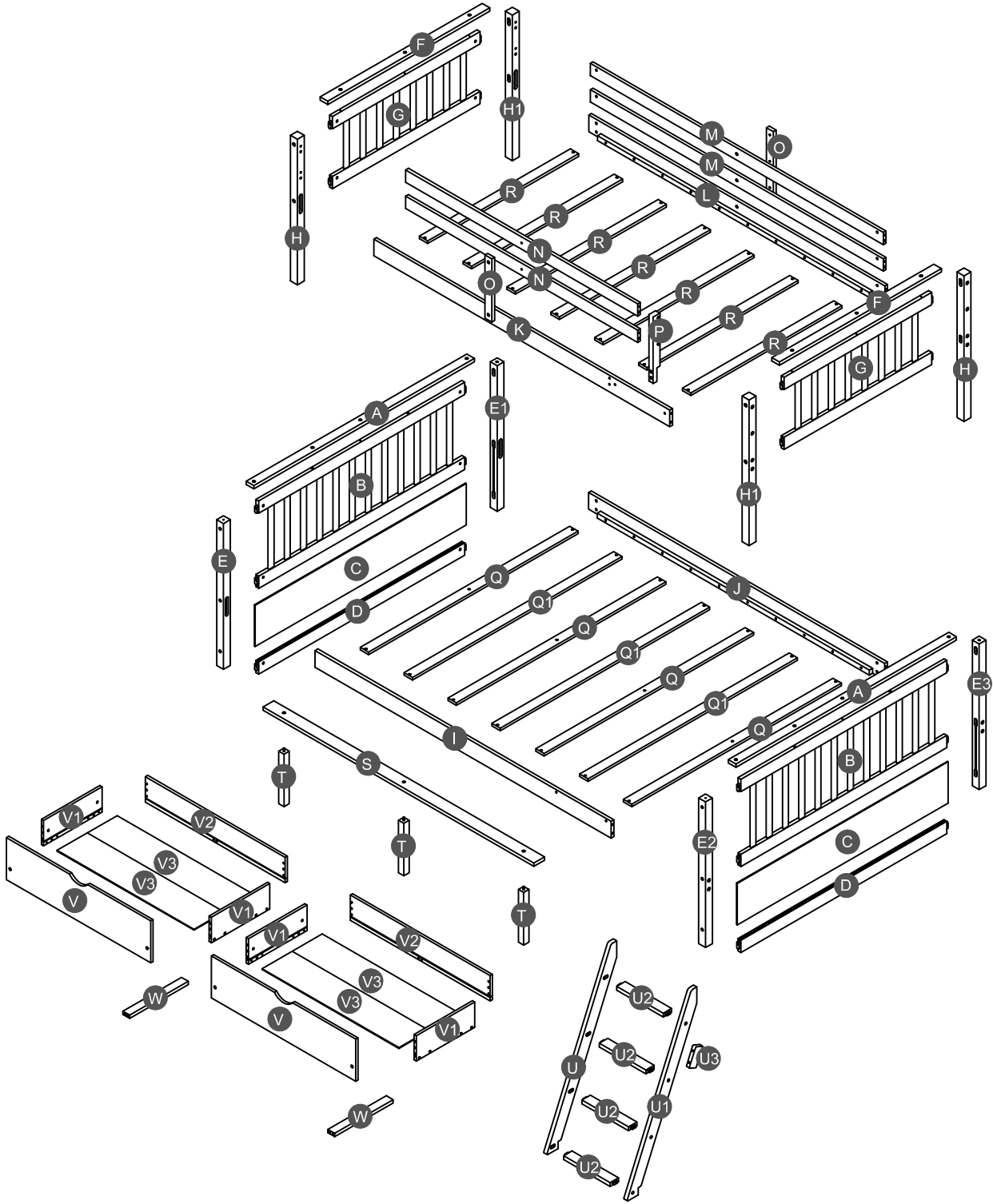
Bed type	Length	Width	Thickness
Twin Standard	74"-75"	38 1/2"	6" max

Lower bunk

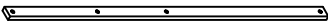
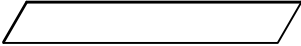
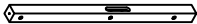
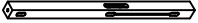
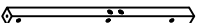
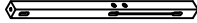




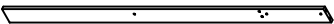






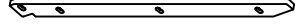
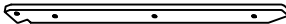

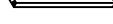
Bed type	Length	Width	Thickness
Full Standard	74"-75"	54"	8"

2. Replacement parts, including additional guardrails, maybe obtained from any of our (GIGACLOUD TECHNOLOGY (USA) INC . 18961 ARENTH AVENUE, CITY OF INDUSTRY , CA, 91748.) dealers
3. Follow the information on the warnings appearing on the upper bunk bed end structure and on the carton. Do not remove warning label from bed.
4. Always use the recommended size mattresses or mattress supports, or both, to help prevent the likelihood of entrapment or falls.
5. Surface of mattress must be at least 5" (127mm) below the upper edge of guardrails.
6. Do not allow children under 6 years of age to use the upper bunk.
7. Periodically check and ensure that the guardrail, ladder, and other components are in their proper position, free from damage, and that all connectors are tight.
8. Do not allow horseplay on or under the bed and prohibit jumping on the bed.
9. Always use the ladder for entering and leaving the upper bunk.
10. Do not use substitute part. Contact the manufacture or dealer for replacement part.
11. Use of a night light may provide added safety precaution for a child using the upper bunk.
12. Always use guardrails on both long sides of the upper bunk. If the bunk bed will be placed next to the wall, the guardrail that runs the full length of the bed should be placed against the wall to prevent entrapment between the bed and wall.
13. The use of water or sleep flotation mattresses is prohibited.
14. STRANGULATION HAZARD - Never attach or hang items to any part of the bunk bed that are not designed for use with the bed; for example, but not limited to, hook, belts and jump ropes.
15. Keep these instruction for future reference.
16. Prohibit more than one person on upper bunk
17. We recommend assembling your bunk bed on the shipping carton to protect your floor or carpet.
18. Be certain all staples are out of the box before beginning assembly on the shipping carton.

Detail View

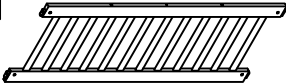
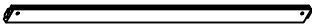

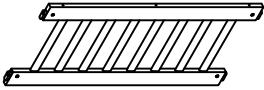



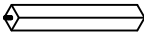
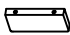
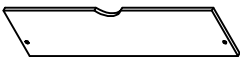


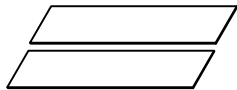


Part List

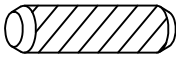
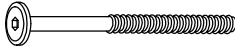
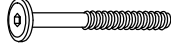
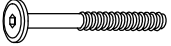




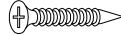
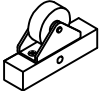

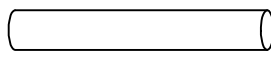
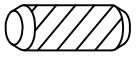
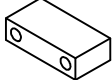

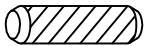
A  Cap for lower HB & FB - 2pcs	C  Side panel - 2pcs	E  Lower leg (Left Front) - 1pc
E1  Lower leg (Left Back) - 1pc	E2  Lower leg (Right Front) - 1pc	E3  Lower leg (Right Back) - 1pc
H  Upper leg (Left Front/Right Back) - 2pcs	H1  Upper leg (Left Back/Right Front) - 2pcs	I  Lower side rail (front) - 1pc
J  Lower side rail (back) - 1pc	K  Upper side rail (front) - 1pc	L  Upper side rail (back) - 1pc
M  Long guard rail - 2pcs	N  Short guard rail - 2pcs	Q  Lower slat - 4pcs
Q1  Lower slat - 3pcs	S  Lower support slat - 1pc	U  Left side ladder - 1pc
U1  Right side ladder - 1pc	U2  Step ladder - 4pcs	W  Support drawer - 2pcs

Part List

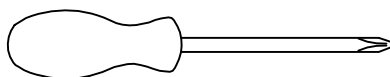
Hardware List

<p>B</p>  <p>Lower frame HB/FB - 2pcs</p>	<p>D</p>  <p>Horizontal bar - 2pcs</p>	<p>F</p>  <p>Cap for upper HB/FB - 2pcs</p>
<p>G</p>  <p>Upper frame HB/FB - 2pcs</p>	<p>O</p>  <p>Vertical guard rail - 2pcs</p>	<p>P</p>  <p>Support guard rail - 1pc</p>
<p>R</p>  <p>Upper slat - 7pcs</p>	<p>T</p>  <p>Leg support - 3pcs</p>	<p>U3</p>  <p>Block-1pc</p>
<p>V</p>  <p>Front drawer panel - 2pcs</p>	<p>V1</p>  <p>Left / right drawer panel - 4pcs</p>	<p>V2</p>  <p>Back drawer panel - 2pcs</p>
<p>V3</p>  <p>Drawer bottom - 4pcs</p>		

Hardware List

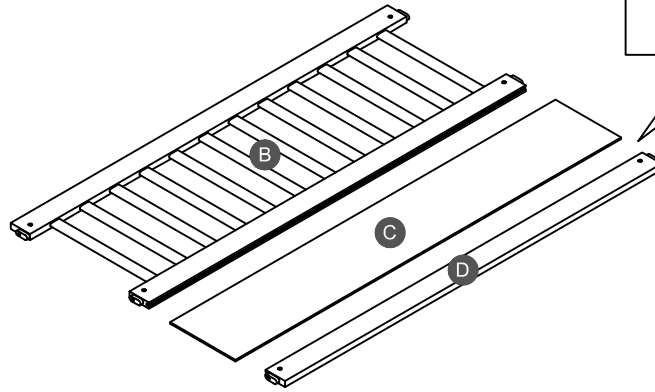
1  Ø10*40mm Wood dowel (8pcs)	2  (Ø15)1/4"*100mm Hex-Head bolts (22pcs)	3  (Ø15)1/4"*80mm Hex-Head bolts (22pcs)
4  (Ø12)1/4"*60mm Hex-Head bolts (18pcs)	5  (Ø12)1/4"*40mm Hex-Head bolts (4pcs)	6  (Ø12)1/4"*35mm Hex-Head bolts (2pcs)
7  (Ø12)1/4"*30mm Hex-Head bolts (6pcs)	8  1/4"*15 (9.5mm) Horizontal-Hole bolts(60pcs)	9  Ø4*30mm Wood screws (54pcs)
10  100*54*20 mm Wheels (8pcs)	11  (1/4")4.5*58mm Allen key (1pc)	12  Ø9*90mm Metal connector (4pcs)
13  Ø10*20mm Wood dowel (8pcs)	14  70*35*19 mm Drawer stopper (3pcs)	15  (Ø12)1/4"*40mm Hex-Head bolts (10pcs)
16  Ø8*30mm Wood dowel (24pcs)		

ASSEMBLY TOOLS REQUIRED (NOT INCLUDED)



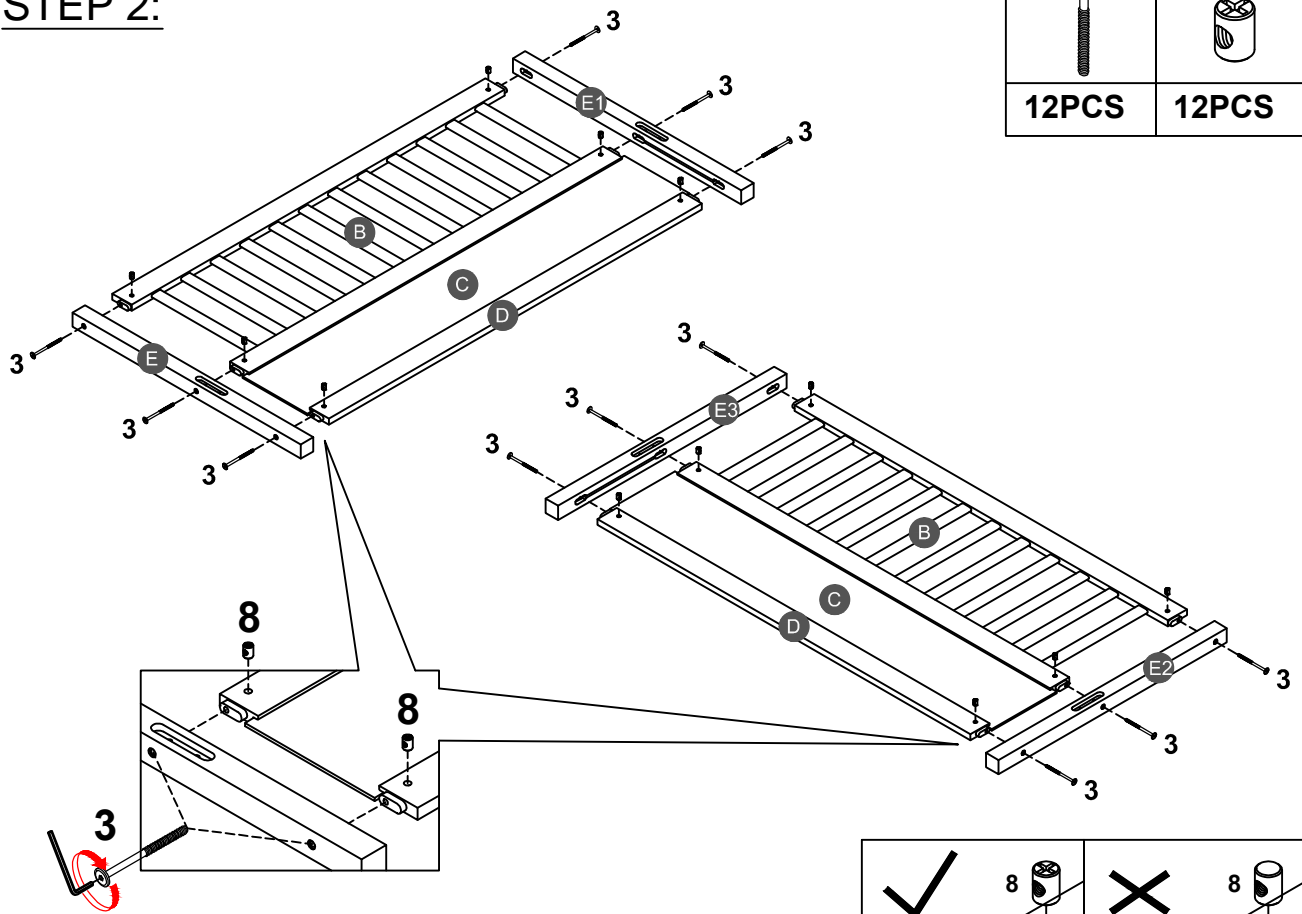
PLEASE BE CAREFUL DO NOT DAMAGE THE HOLE POSITION WHEN YOU USE POWER TOOLS !

STEP 1:

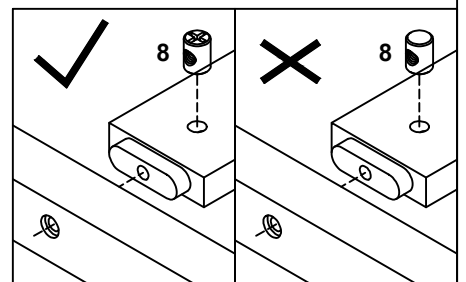


2pcs

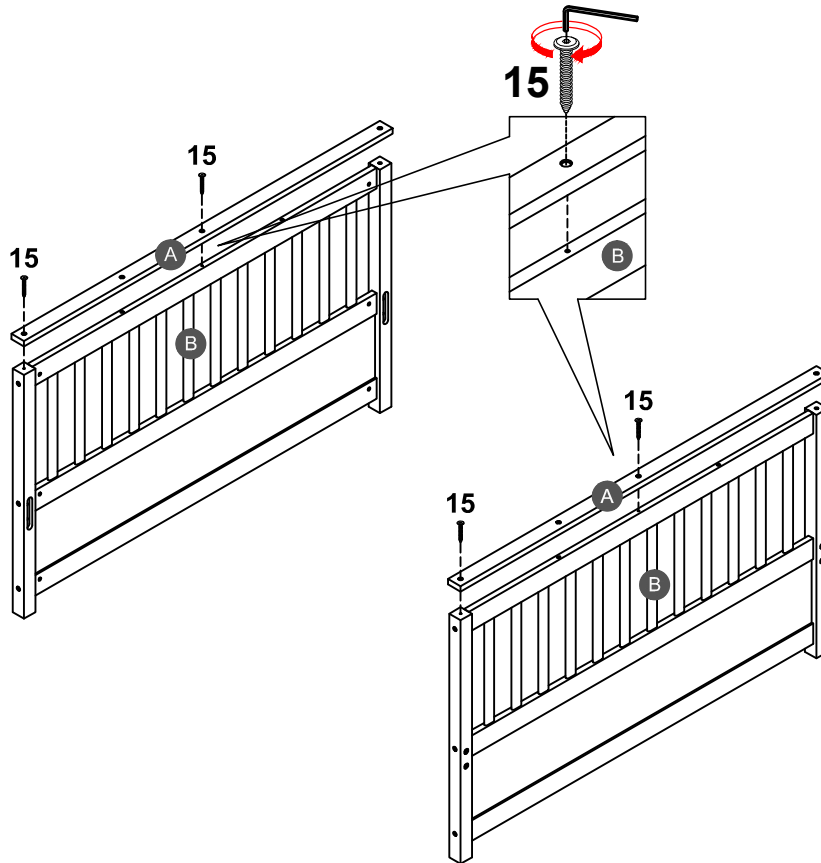
STEP 2:




Note: Part 8 will face up with the "x" mark on it, otherwise it cannot be tightened

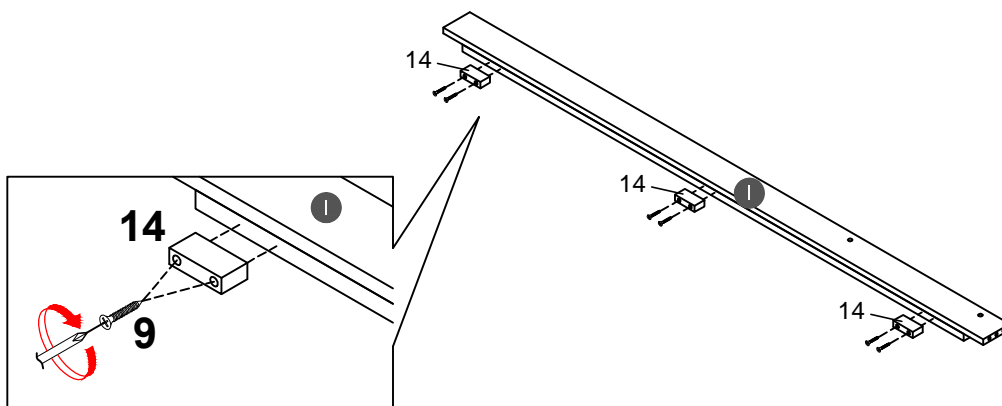



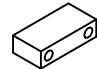
STEP 3:



15	
4PCS	

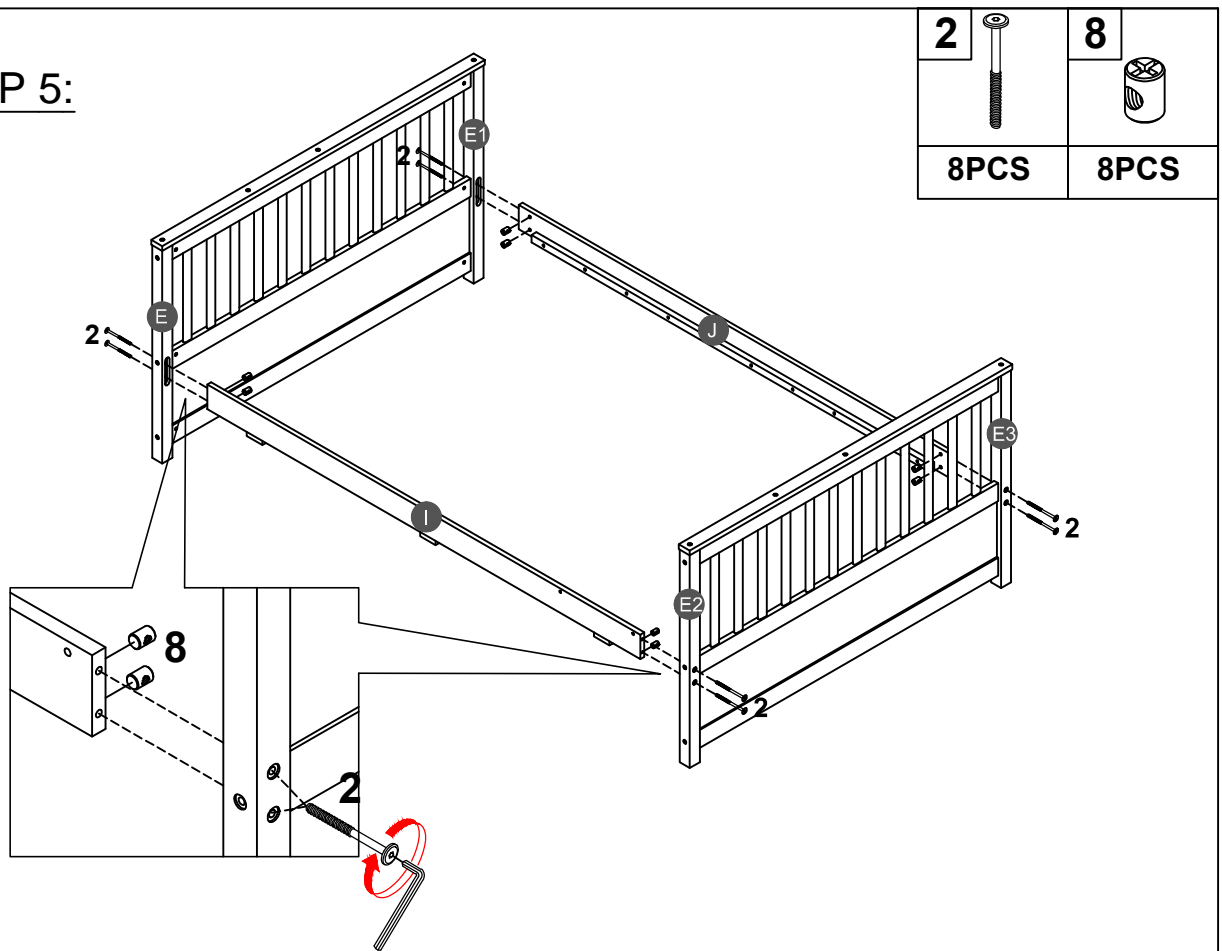
STEP 4:



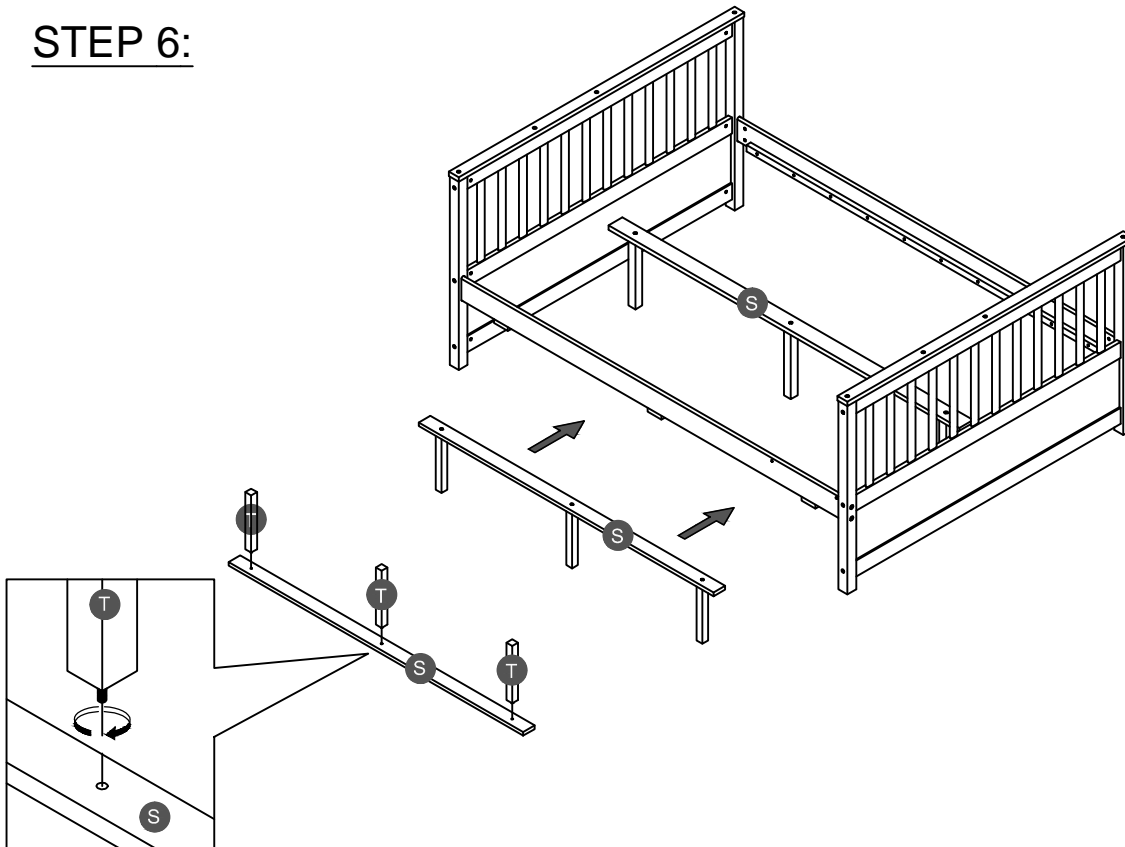
9		14	
6PCS		3PCS	

Drawer stopper (14) with lower side rail front (I) by using screw (9).

STEP 5:

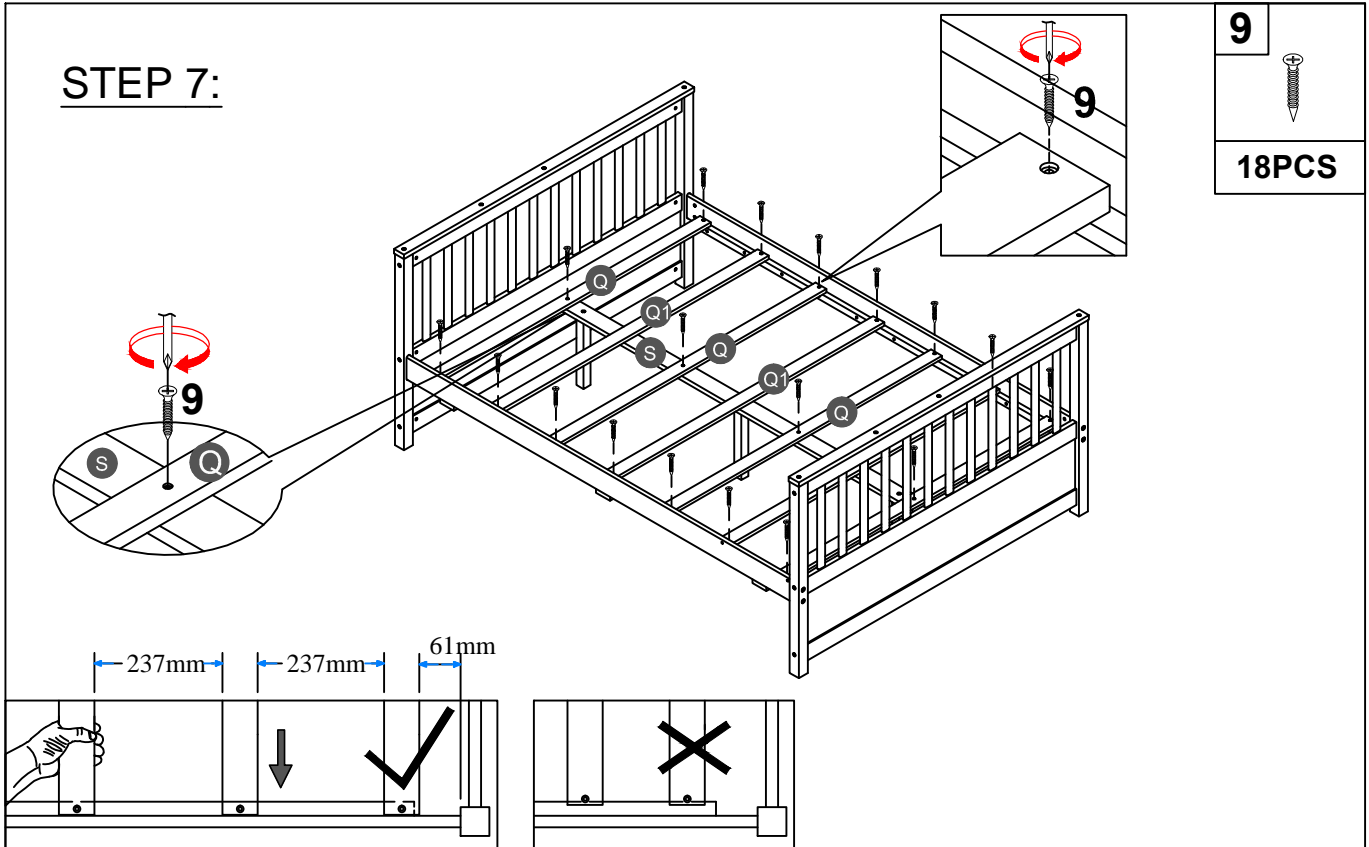


STEP 6:



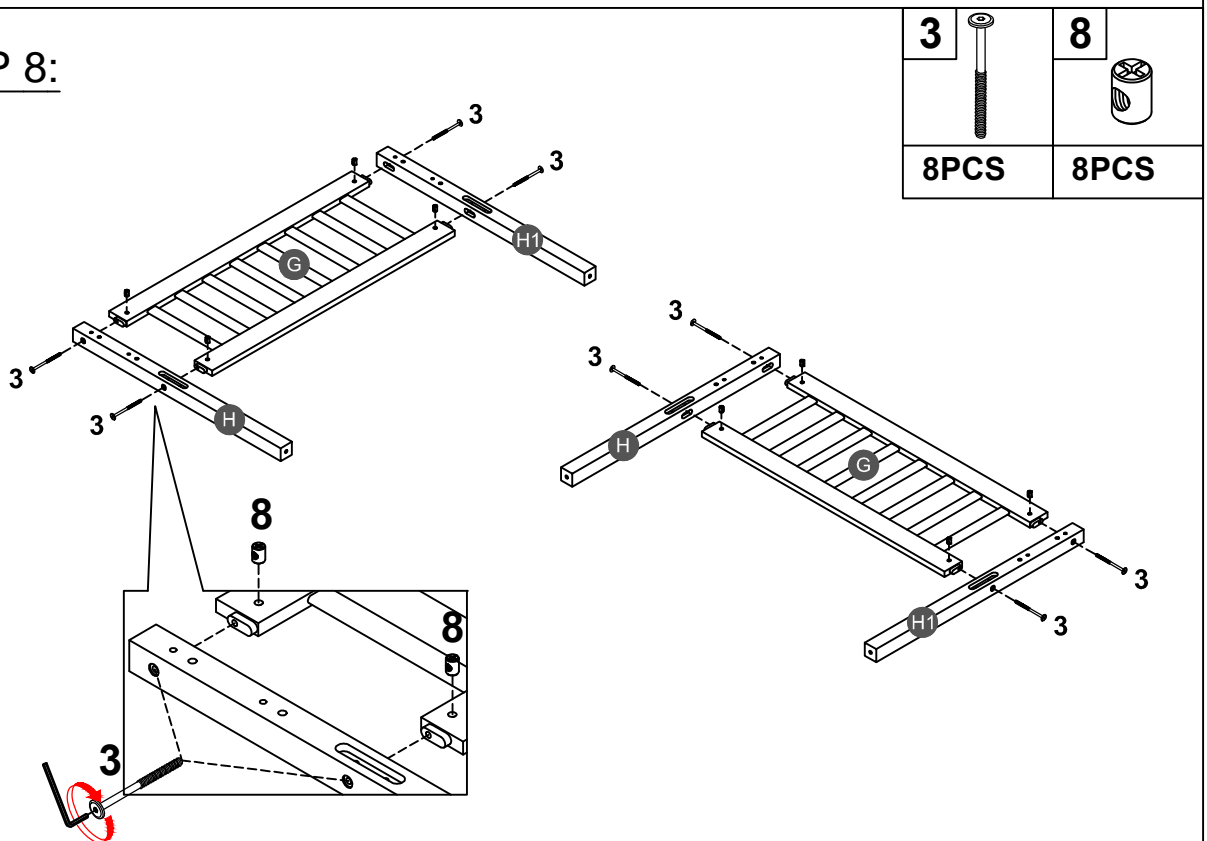
Assembling leg support (T) with lower support slat (S) later rotate, Move support slat inside Full bunkbed.

STEP 7:

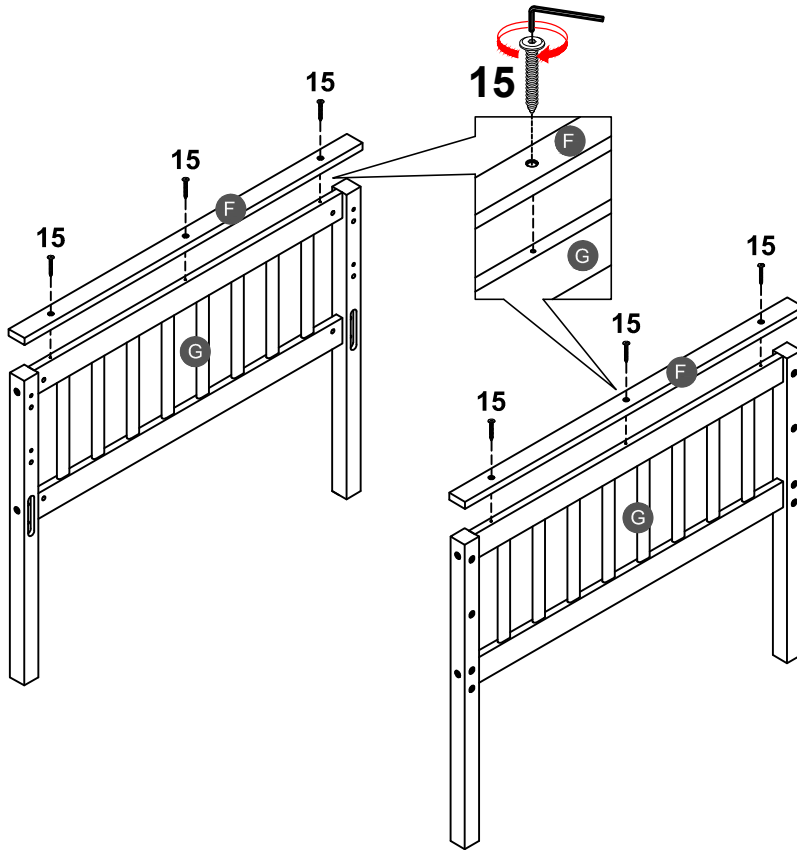



Note: Do not lock the screws of the bed slats to the outermost edge of the bed slats, you need to leave a certain space at the edges, otherwise it will cause the board to break. Do not lock the bed slats on the edge of the wood, please hold firmly before screwing, hold it in place with one hand, then lock the screw.

STEP 8:

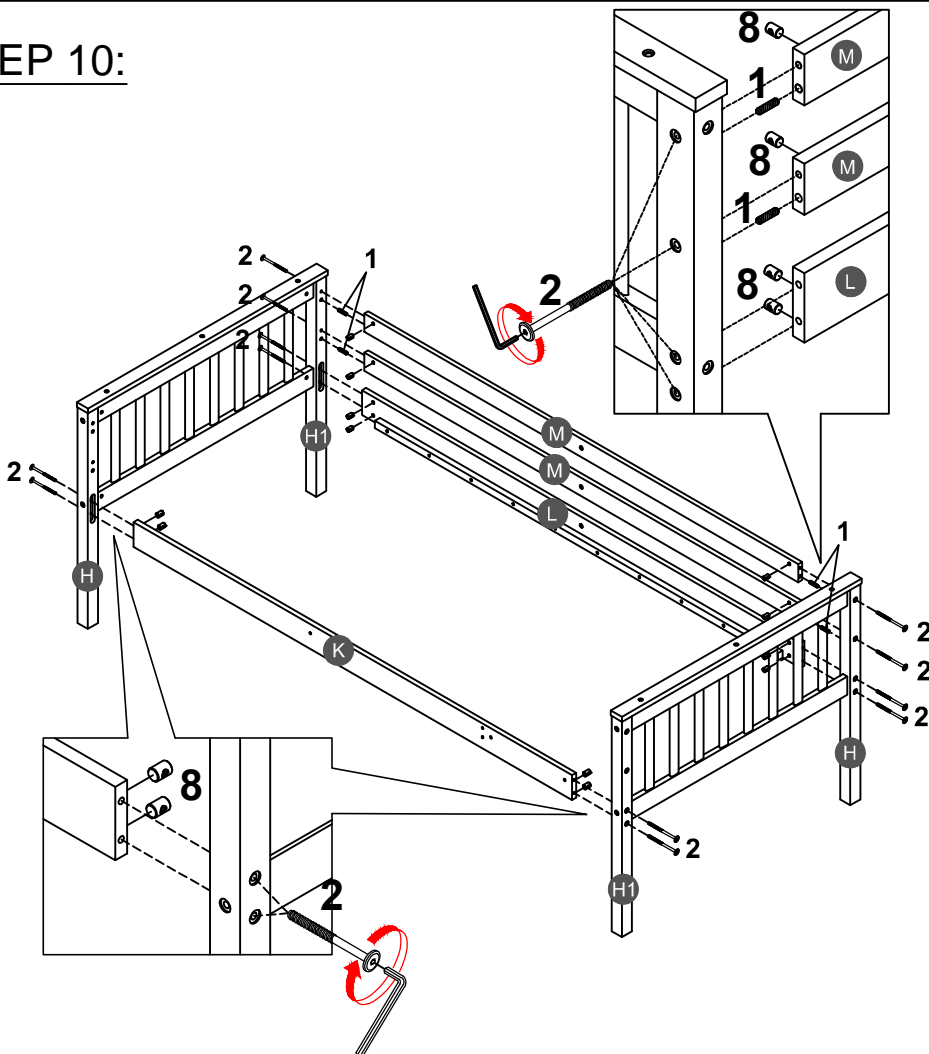





STEP 9:



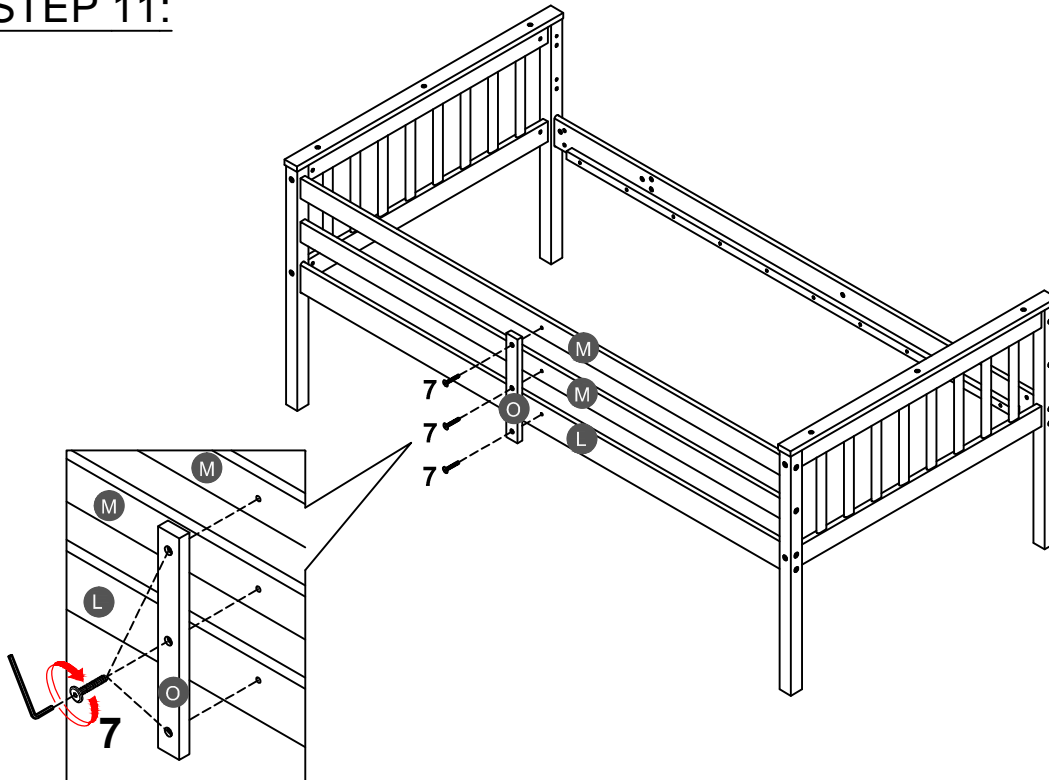
15	
6PCS	


STEP 10:



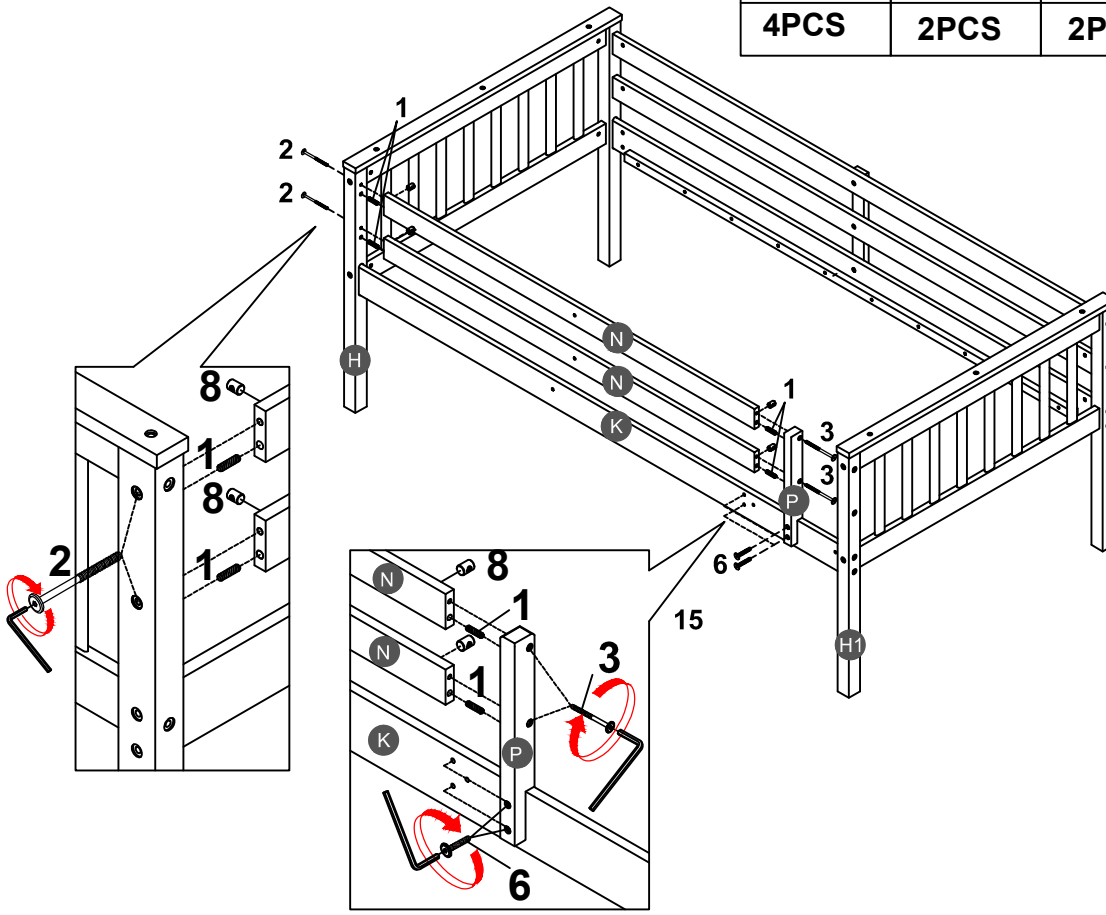
1		2	
4PCS		12PCS	
		8	
		12PCS	






STEP 11:



7	
3PCS	

STEP 12:



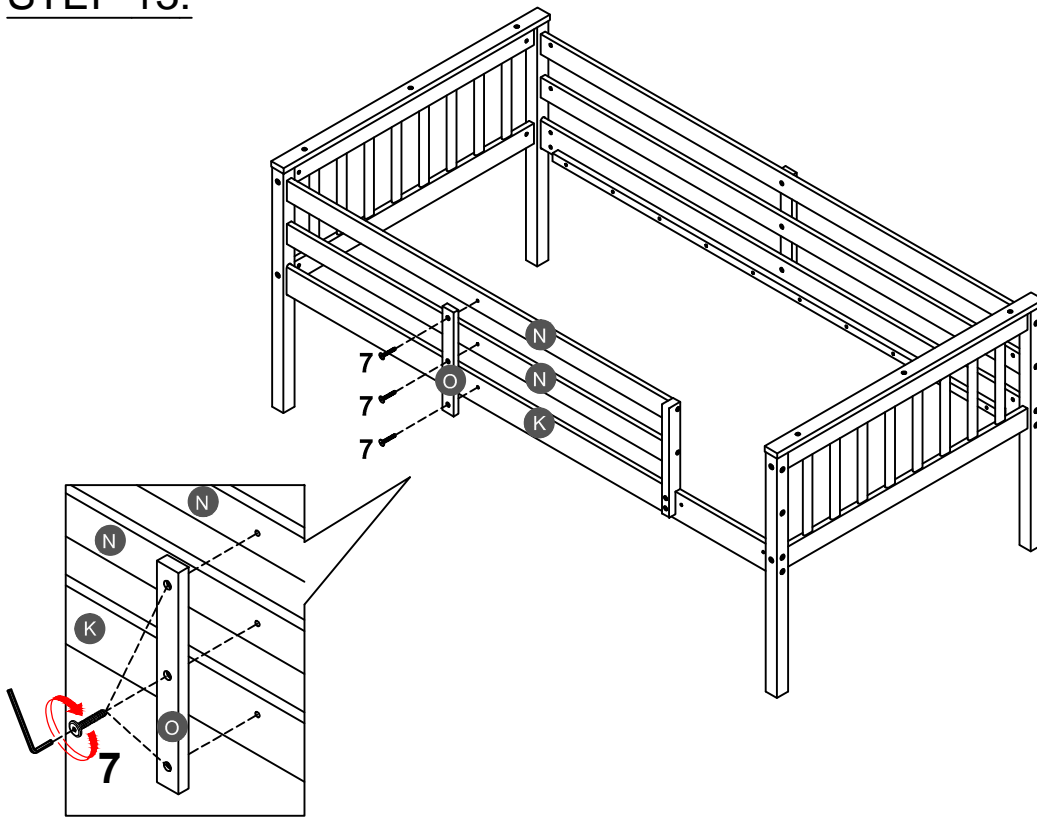
1		2		3		6	
4PCS		2PCS		2PCS		2PCS	
							8
							
							4PCS

STEP 13:

7



3PCS

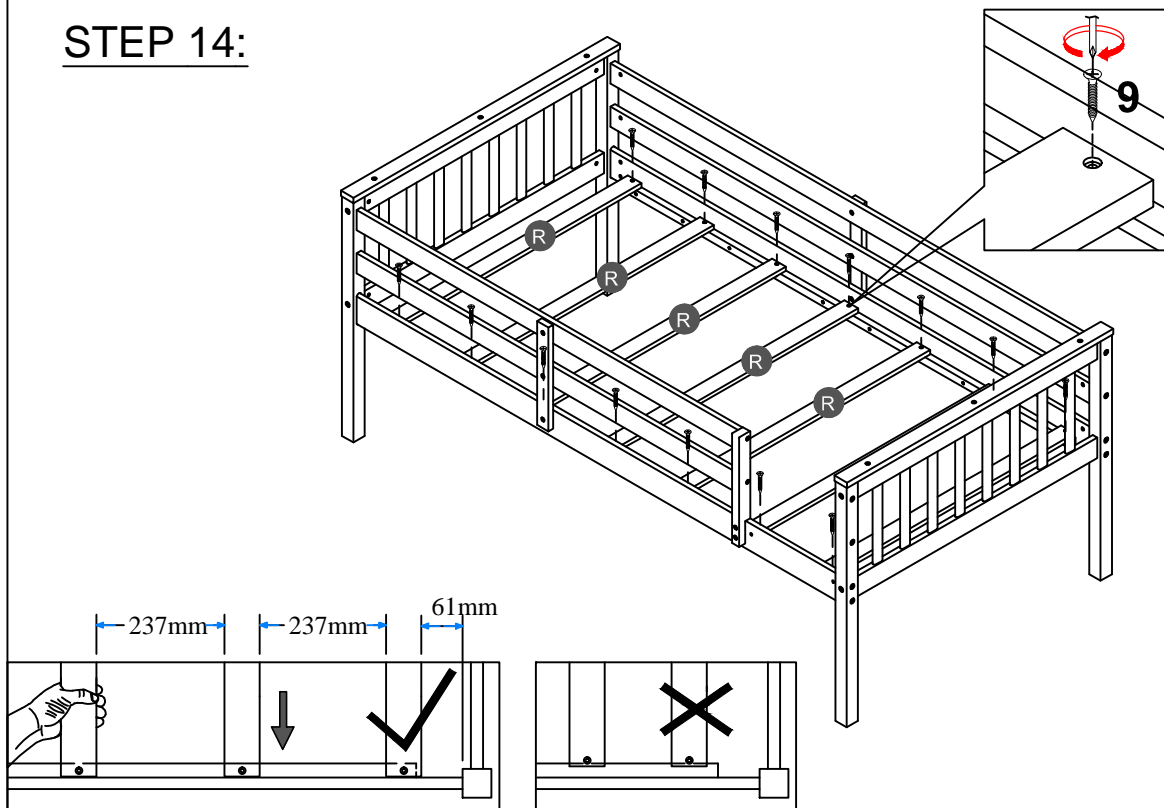


STEP 14:

9




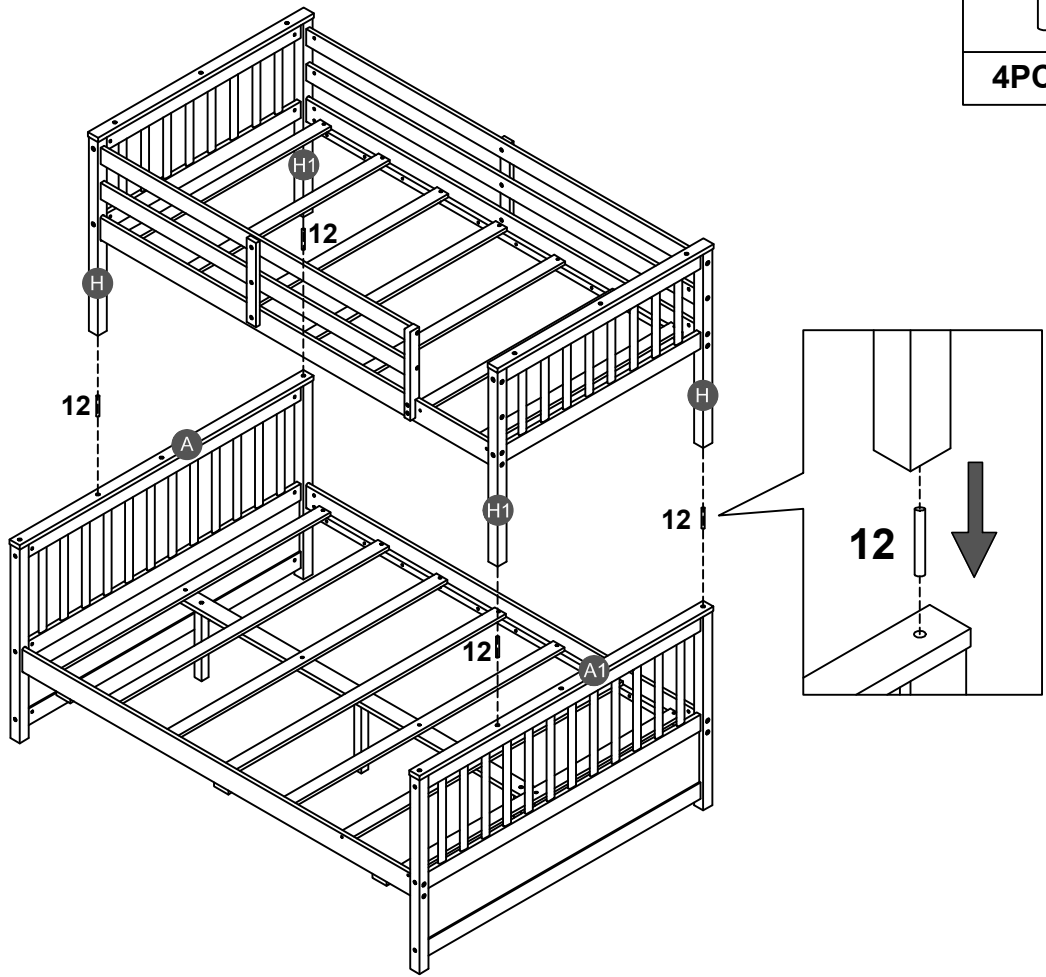
14PCS





Note: Do not lock the screws of the bed slats to the outermost edge of the bed slats, you need to leave a certain space at the edges, otherwise it will cause the board to break. Do not lock the bed slats on the edge of the wood, please hold firmly before screwing, hold it in place with one hand, then lock the screw.

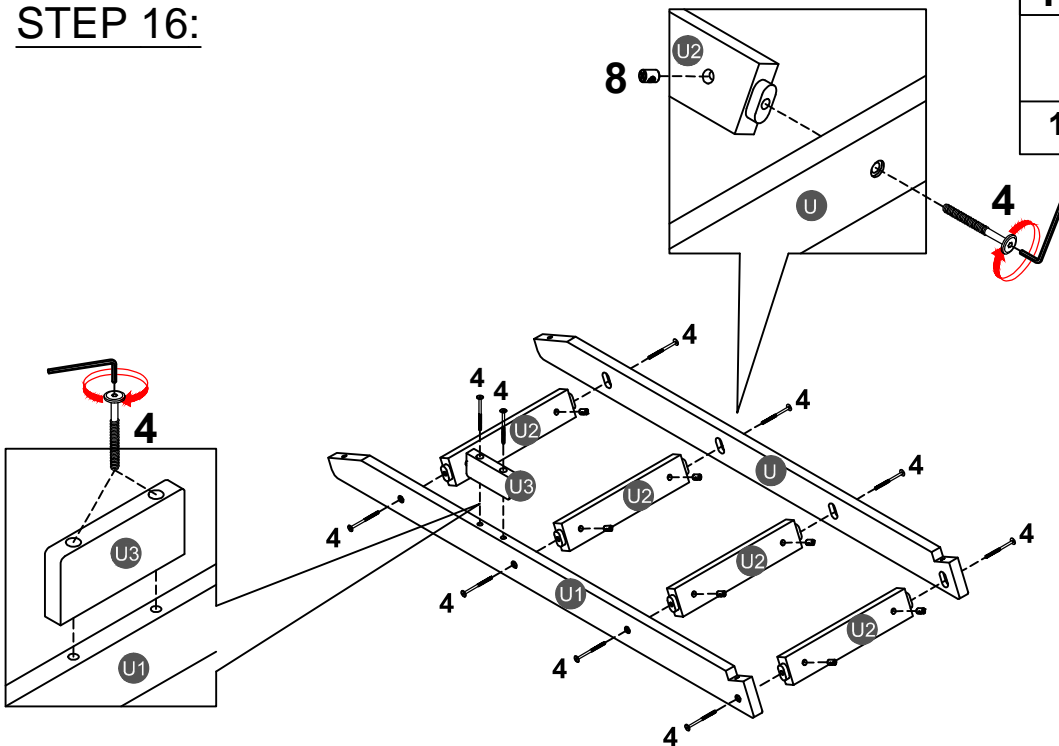
STEP 15:

12	
4PCS	



STEP 16:

4		8	
10PCS		8PCS	

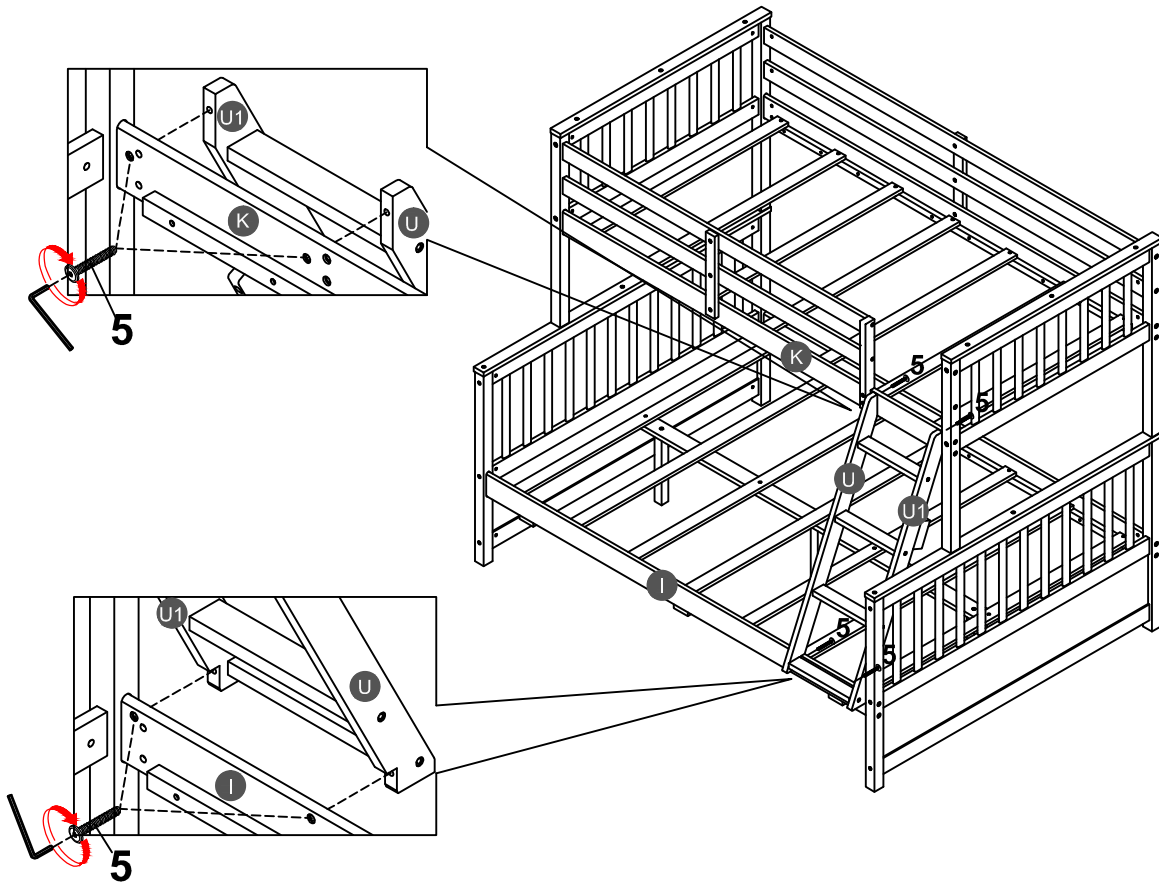


STEP 17:

5



4PCS



STEP 18:

4



4PCS

8

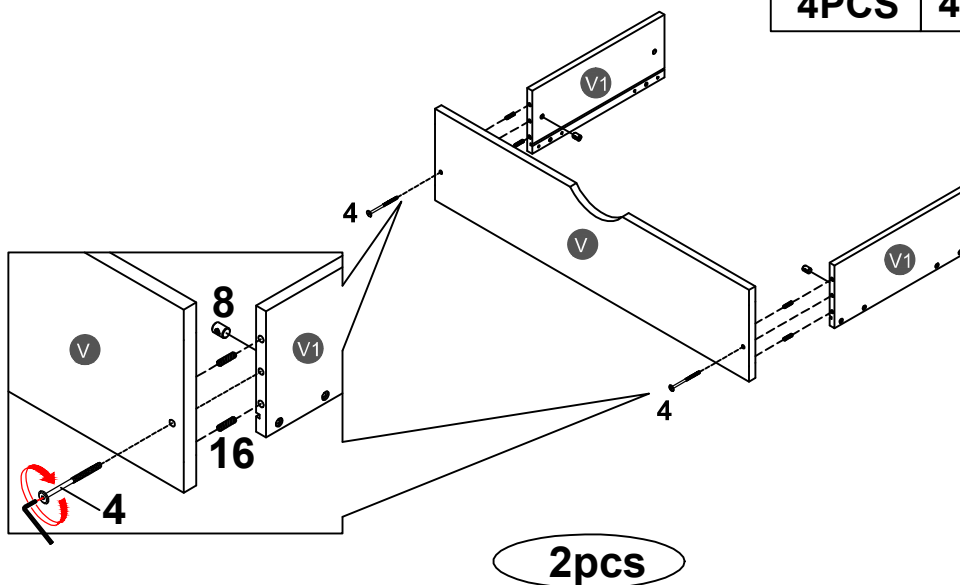


4PCS




16

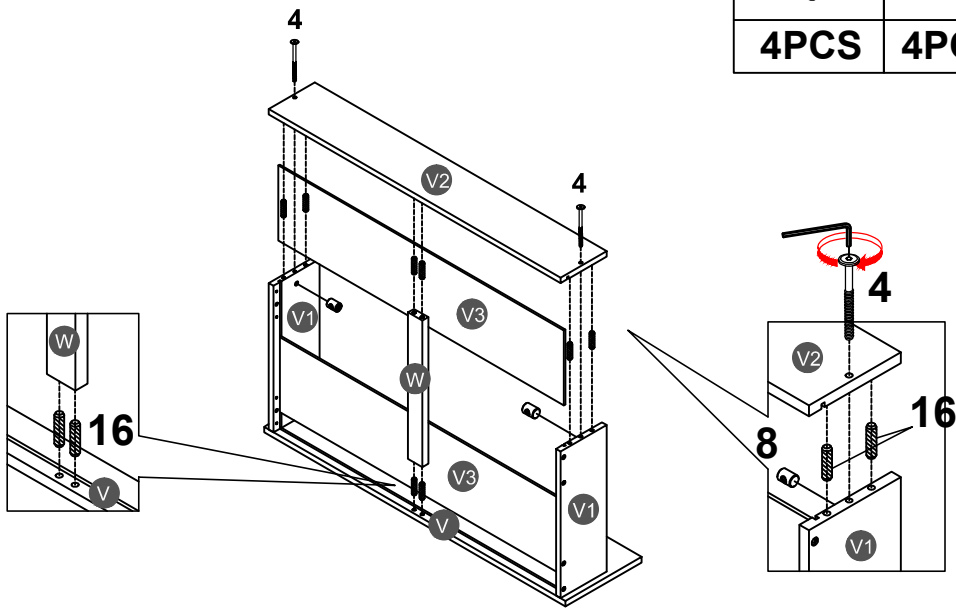


8PCS




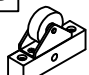

STEP 19:

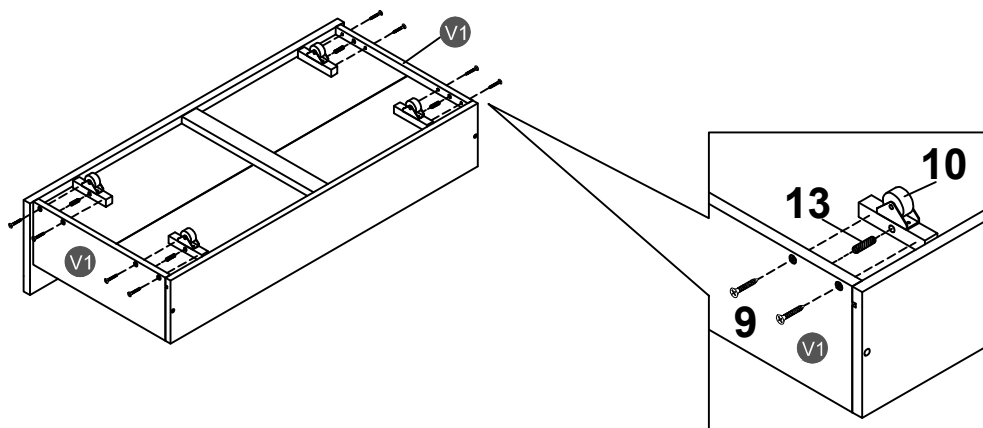
4		8		16	
4PCS		4PCS		16PCS	



2pcs

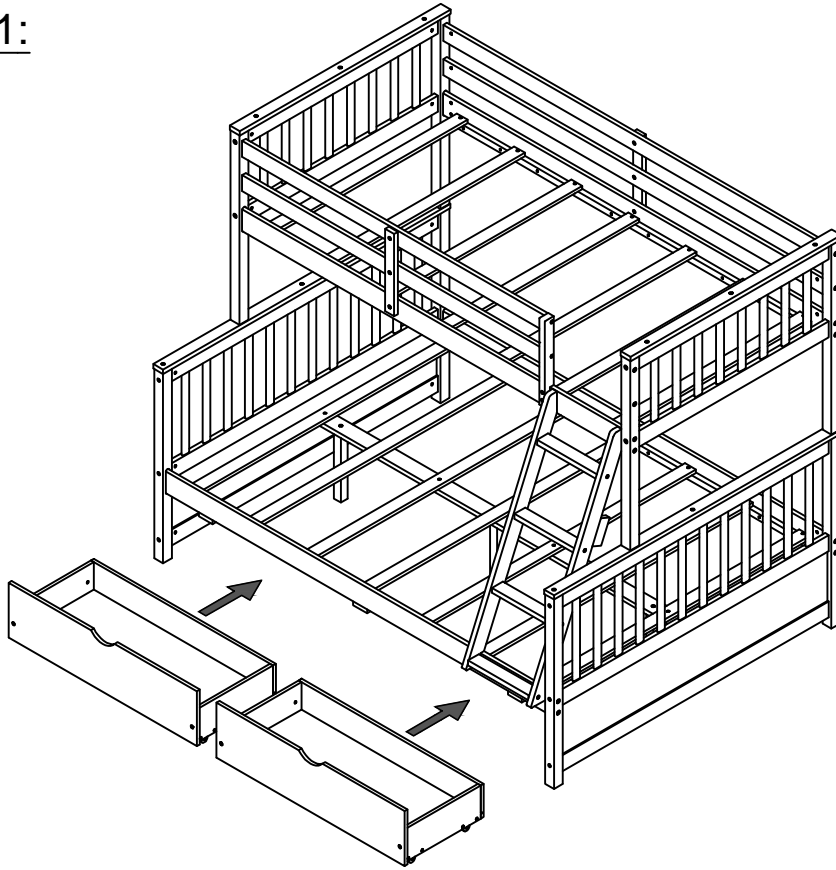
STEP 20:

9		10		13	
16PCS		8PCS		8PCS	



2pcs

STEP 21:



Push Drawer under the bottom of Bunk Bed.

