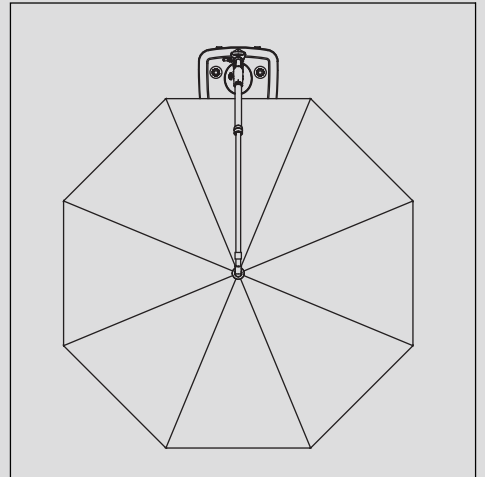
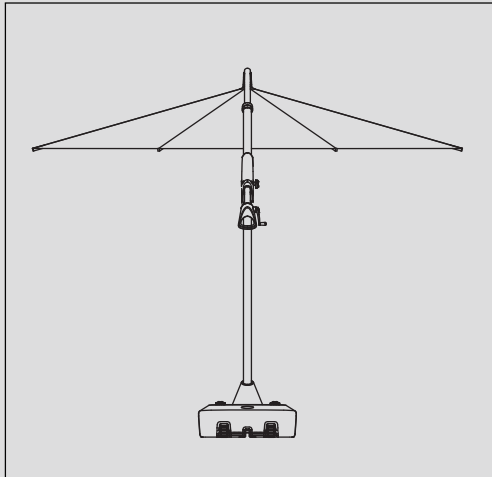
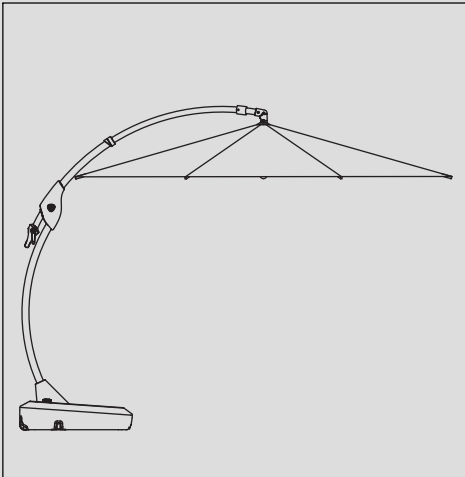
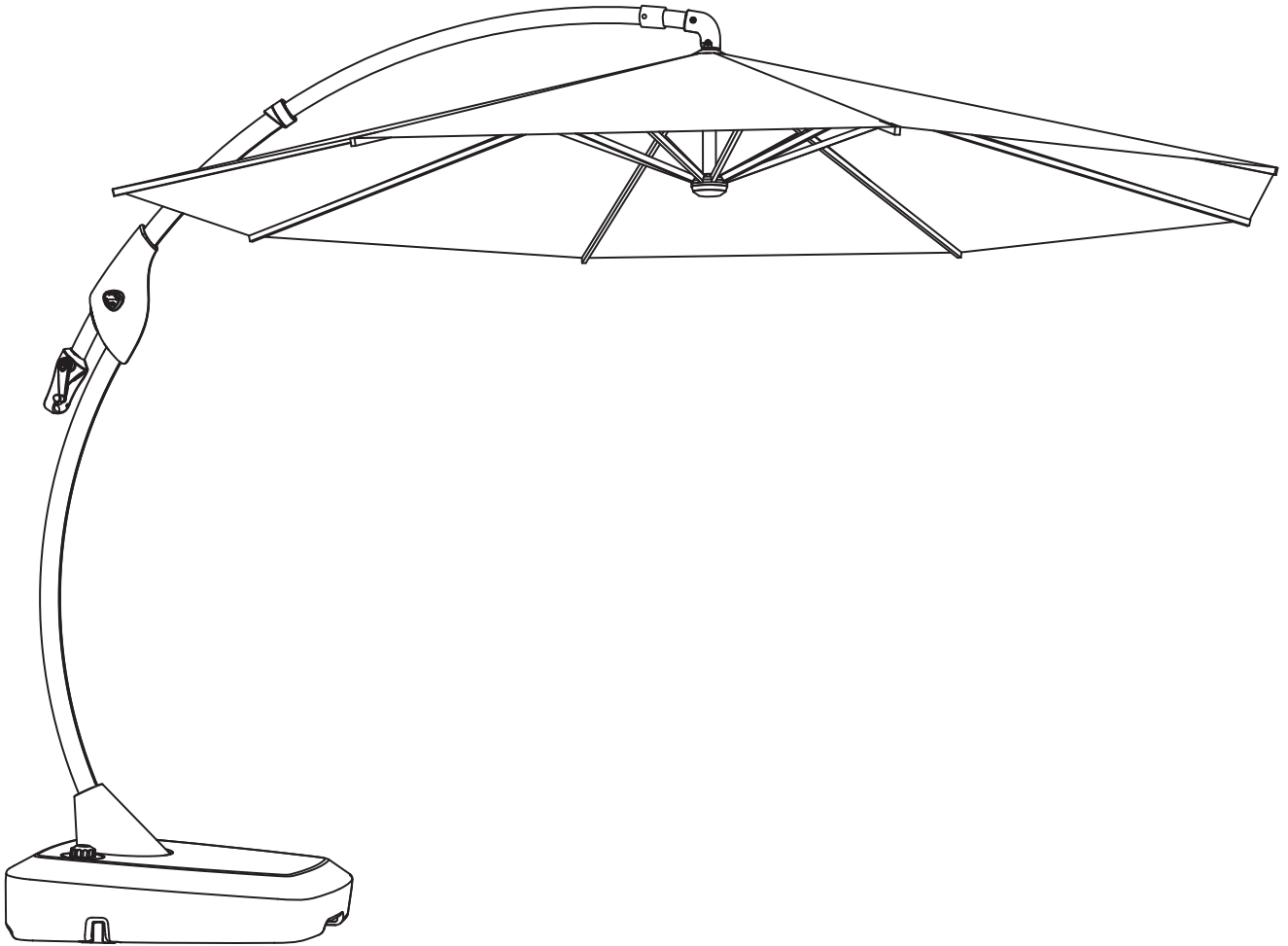
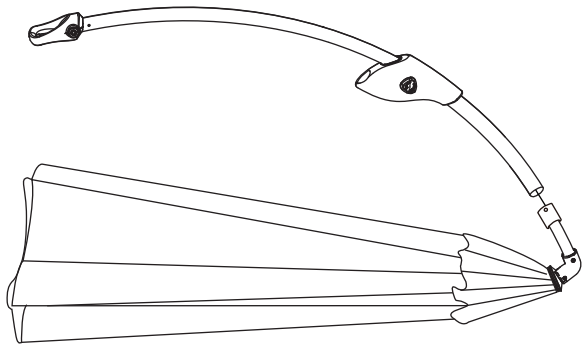


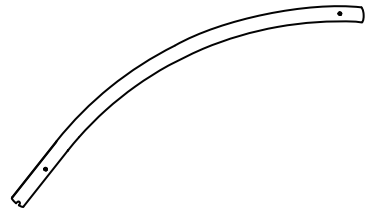
HANGING UMBRELLA

ASSEMBLY INSTRUCTIONS

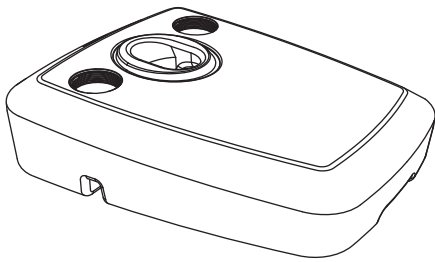




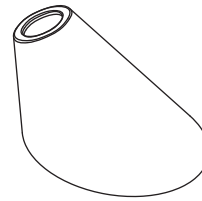
Ax1



Bx1



Cx1



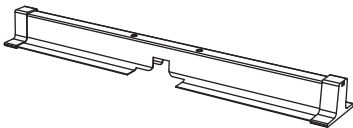
Dx1



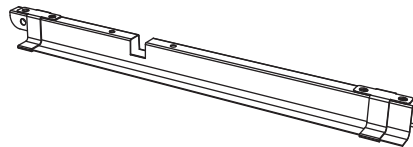
ATTENTION: C&D&E in carton 2



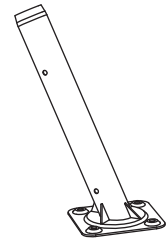
Ex2



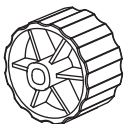
Fx1



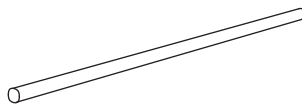
Gx1



Hx1



Ix2



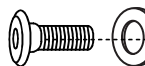
Jx1



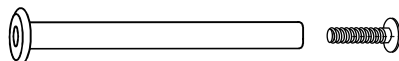
Sx1



Kx4



Lx3



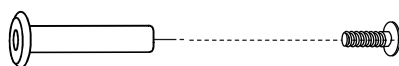
Mx1



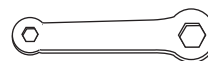
Nx1



Ox1



Px1



Qx1

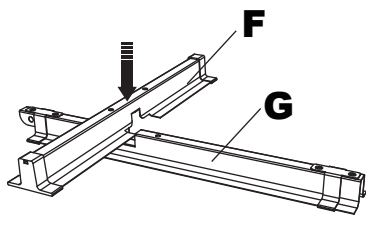


Rx1

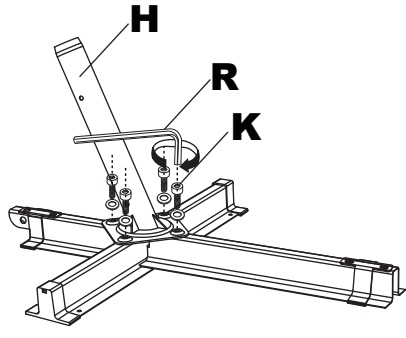


Tx2

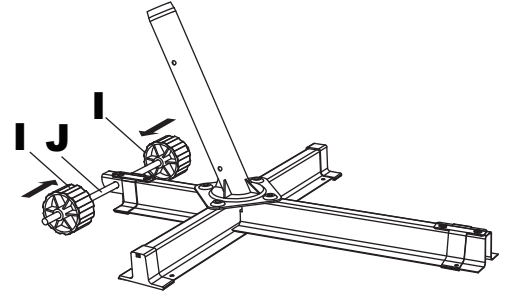
1



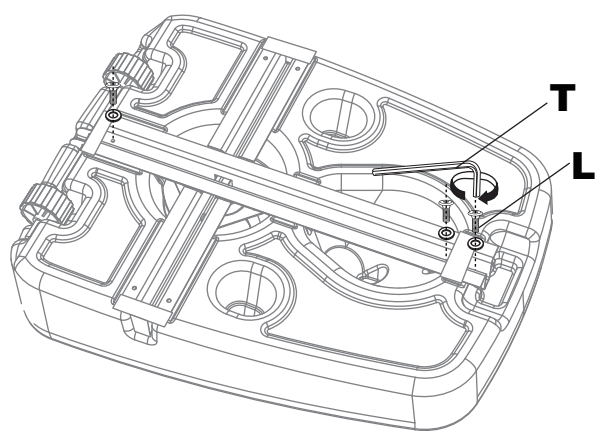
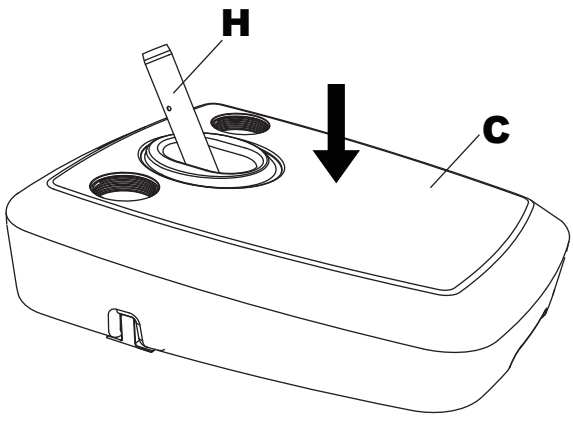
2



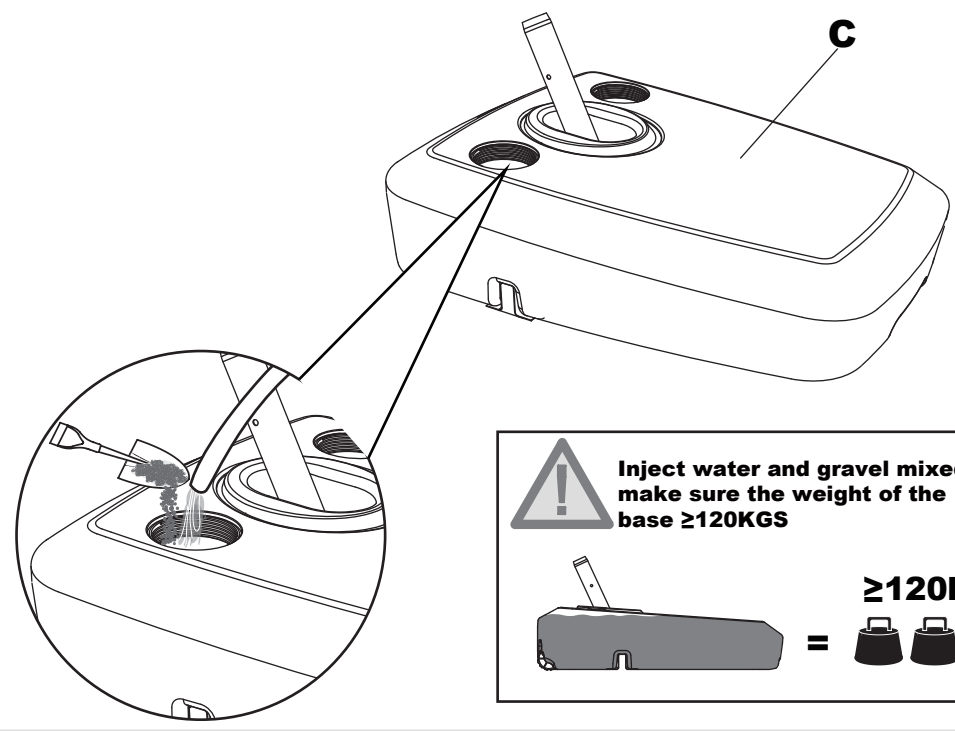
3






4



5

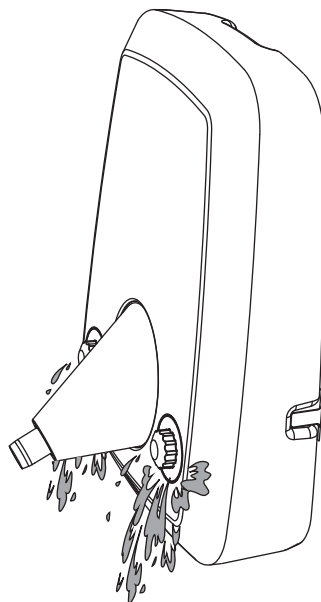
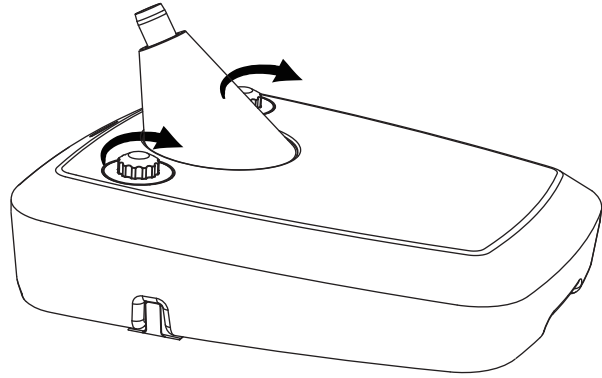


 **Inject water and gravel mixed
make sure the weight of the
base $\geq 120\text{KGS}$**

 =  **$\geq 120\text{kgs}$**

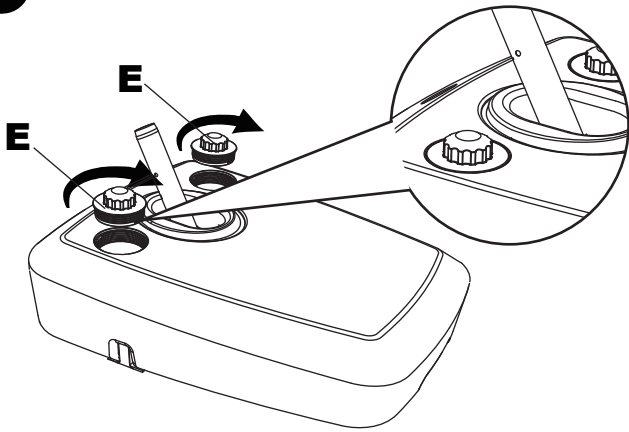


The knob must be tightened

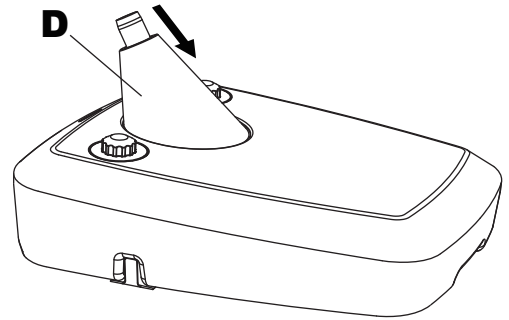


6

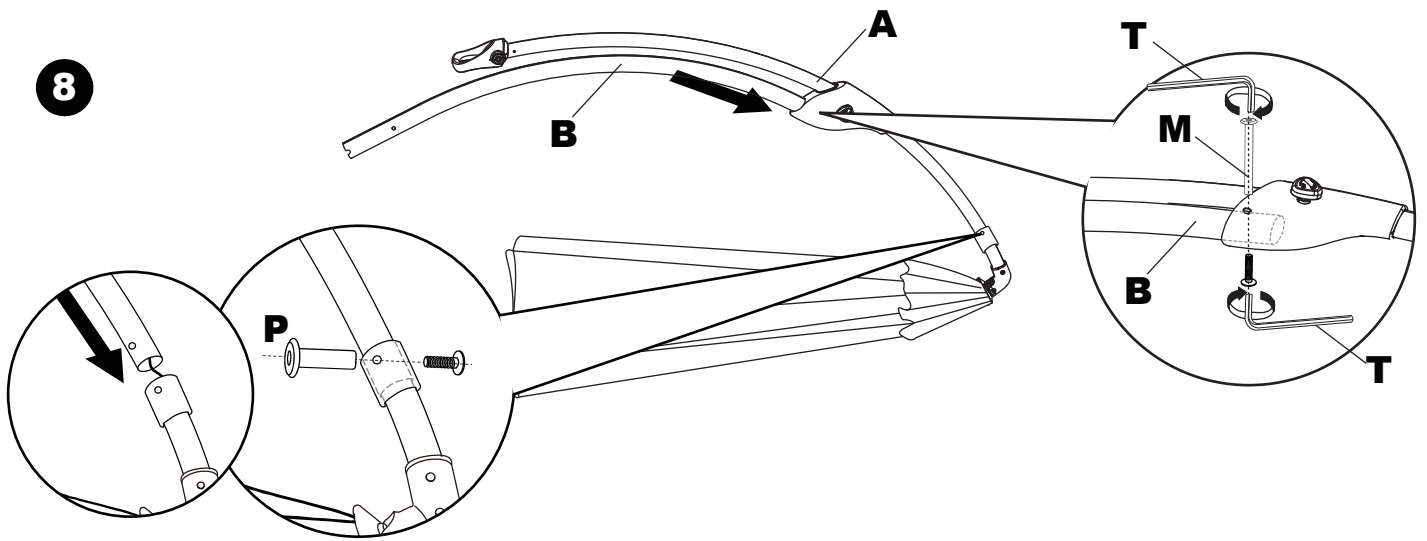
Tighten the plastic cap on the base.



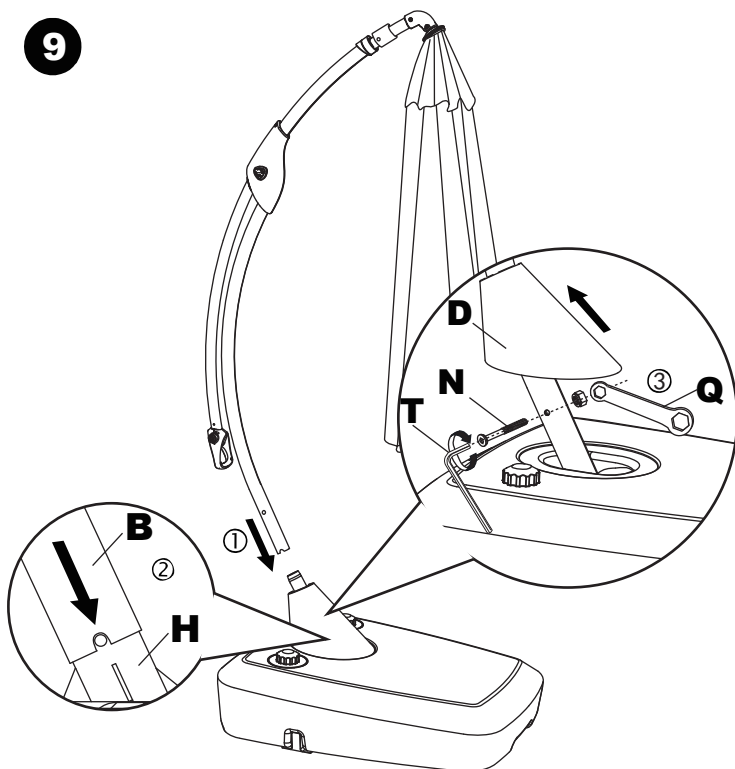
7



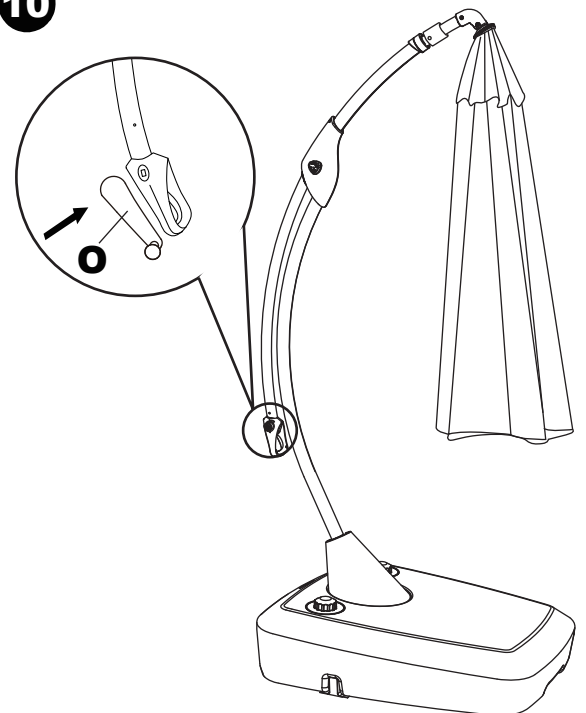
8



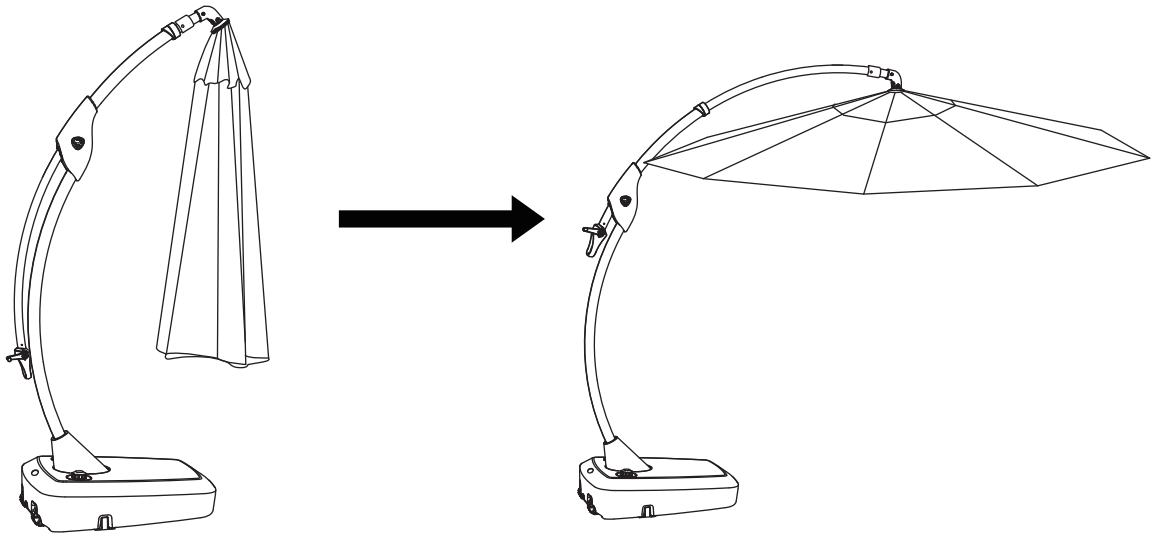
9



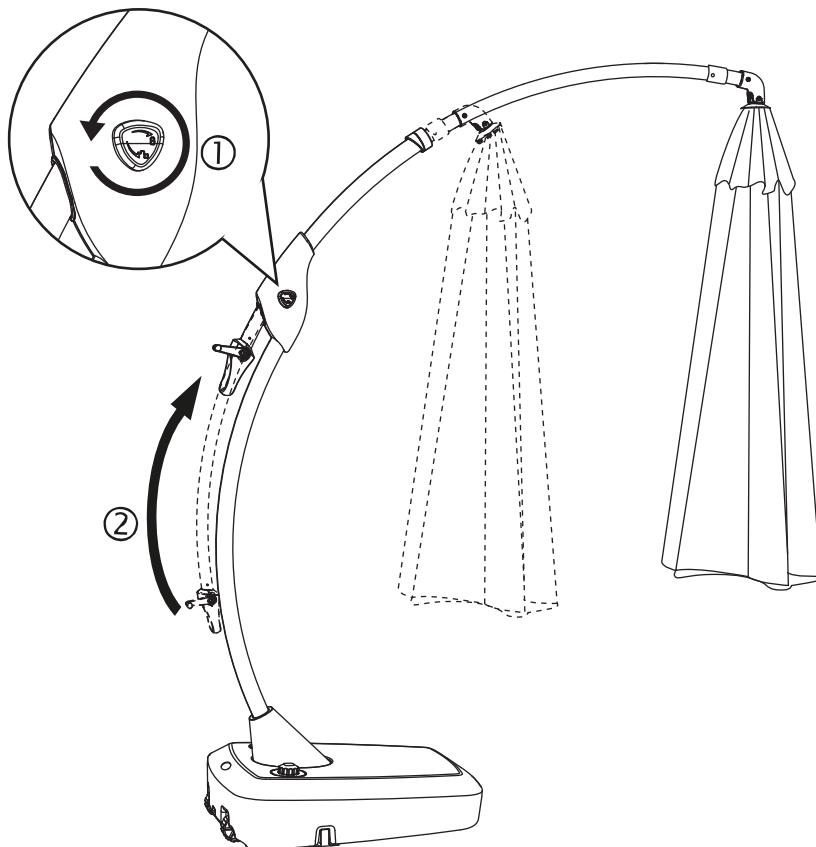
10



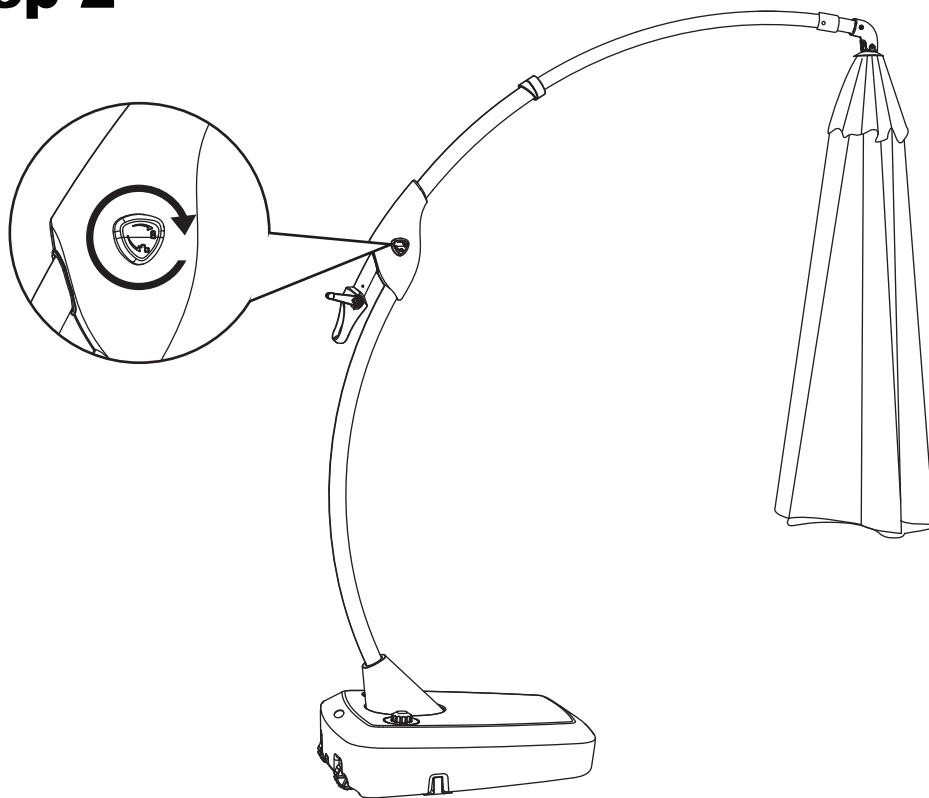
I



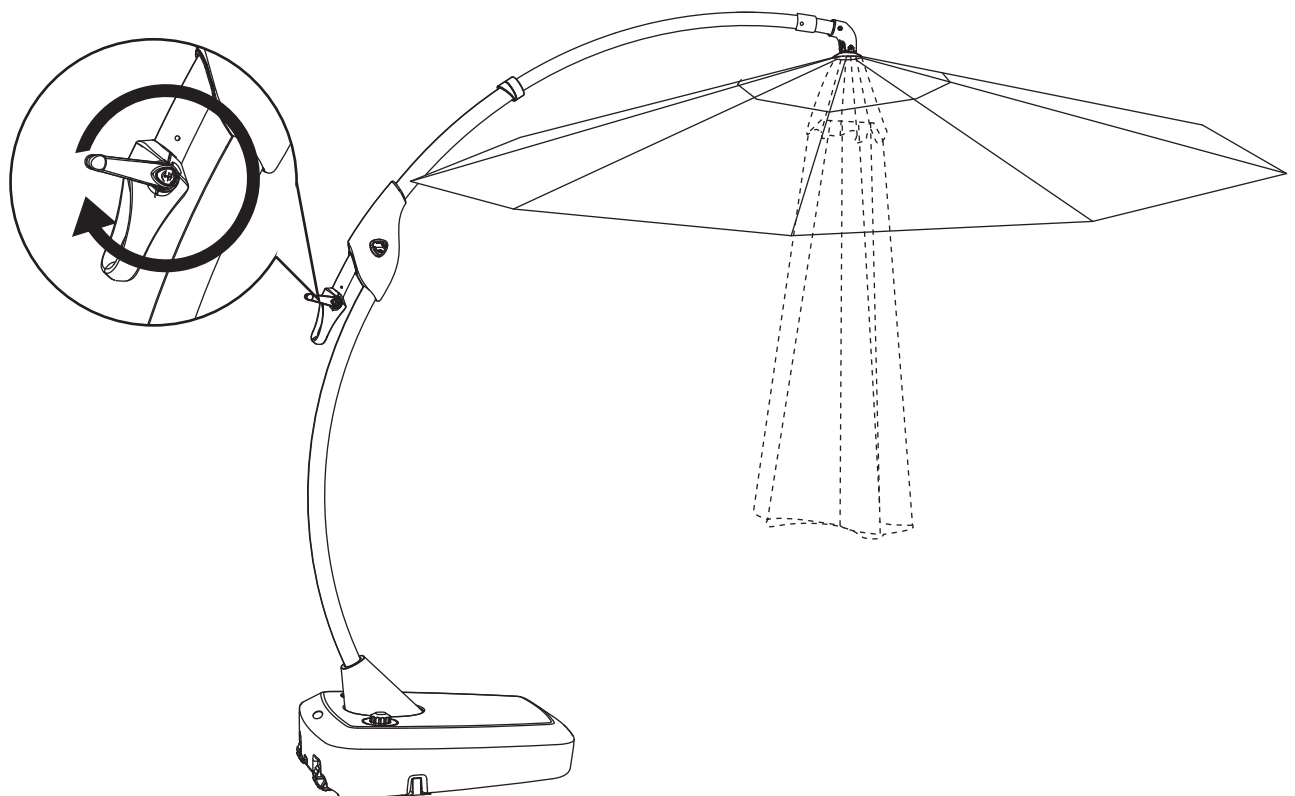
Step 1



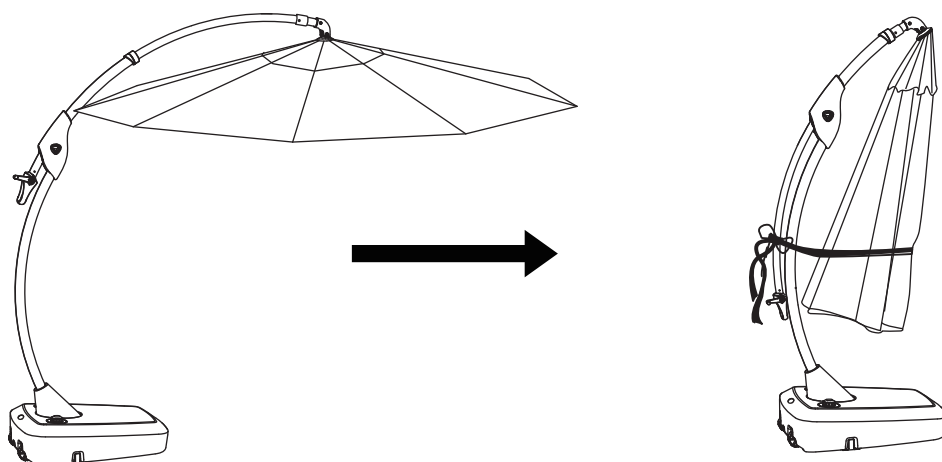
Step 2



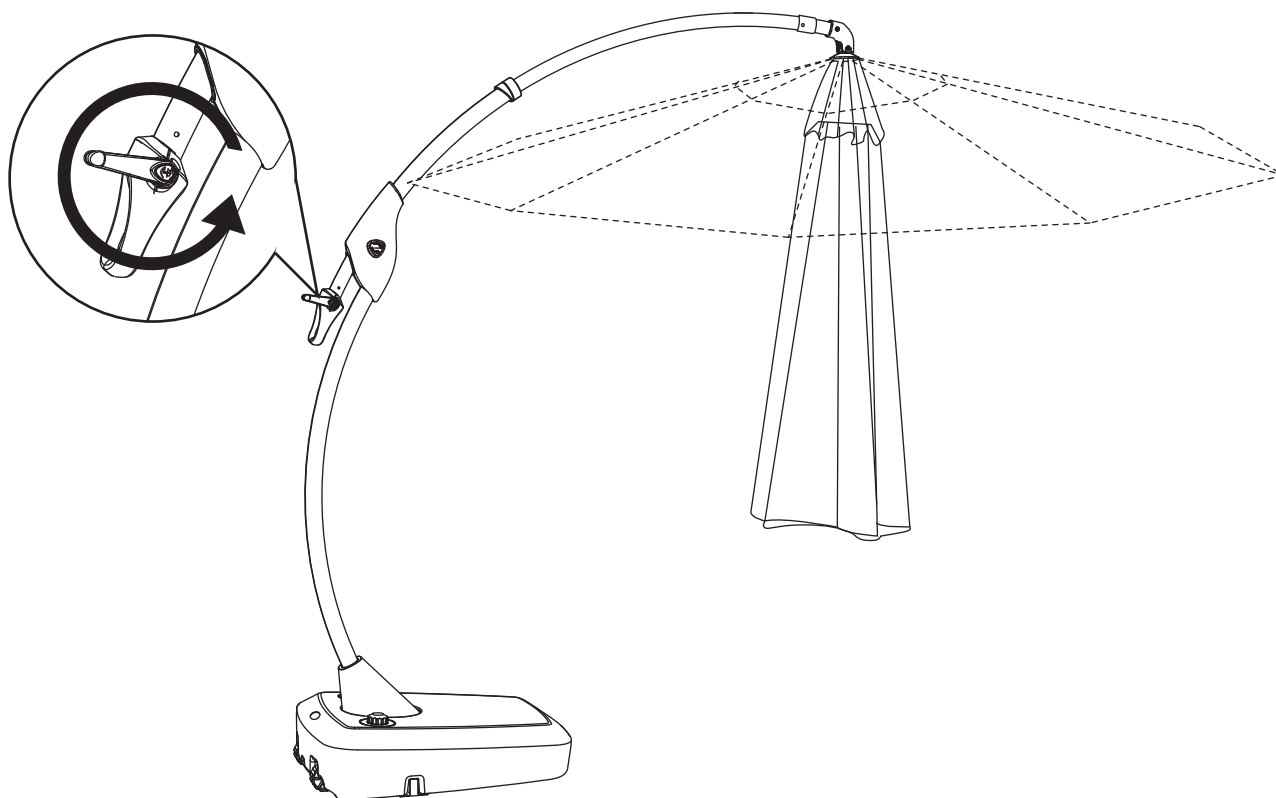
Step 3



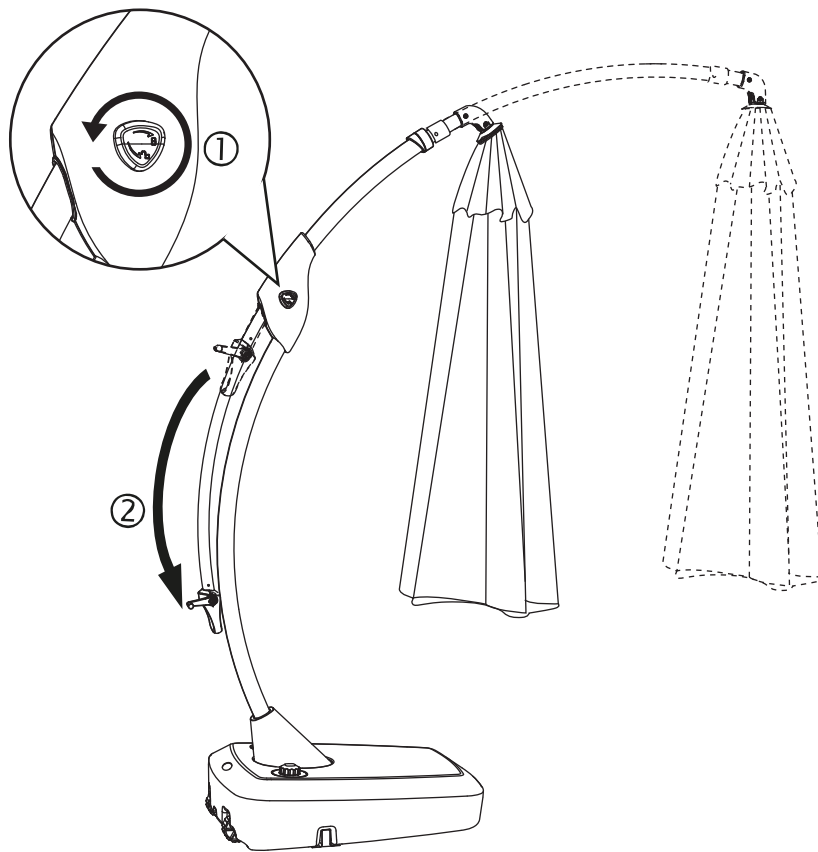
II



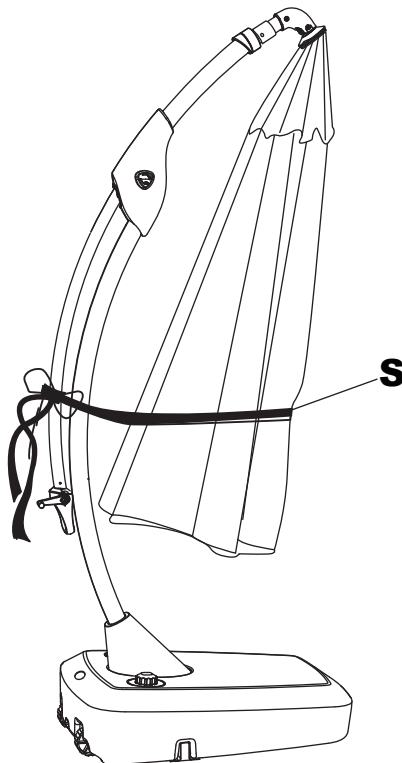
Step 1



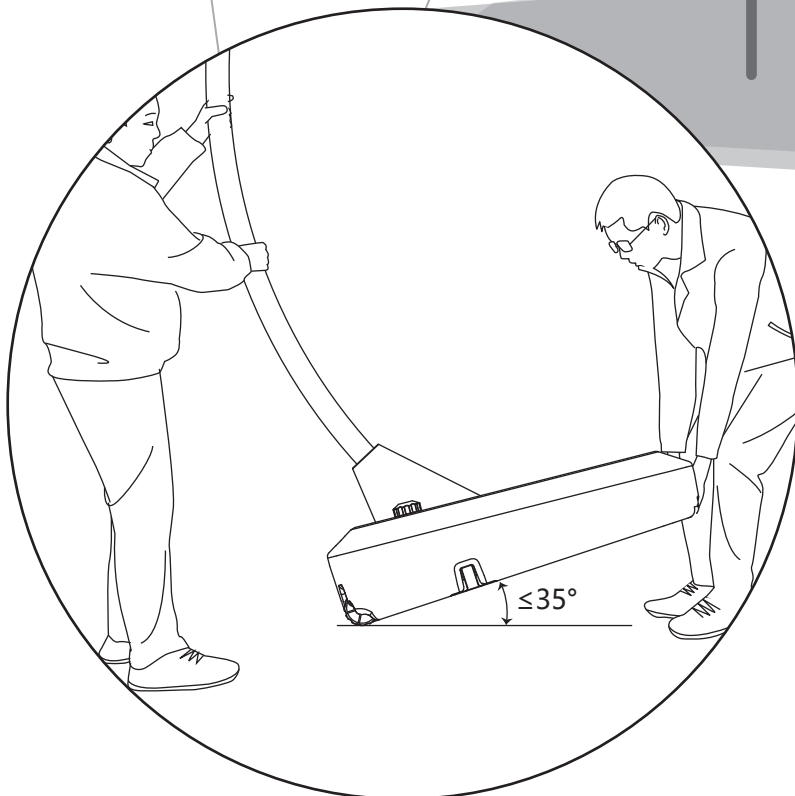
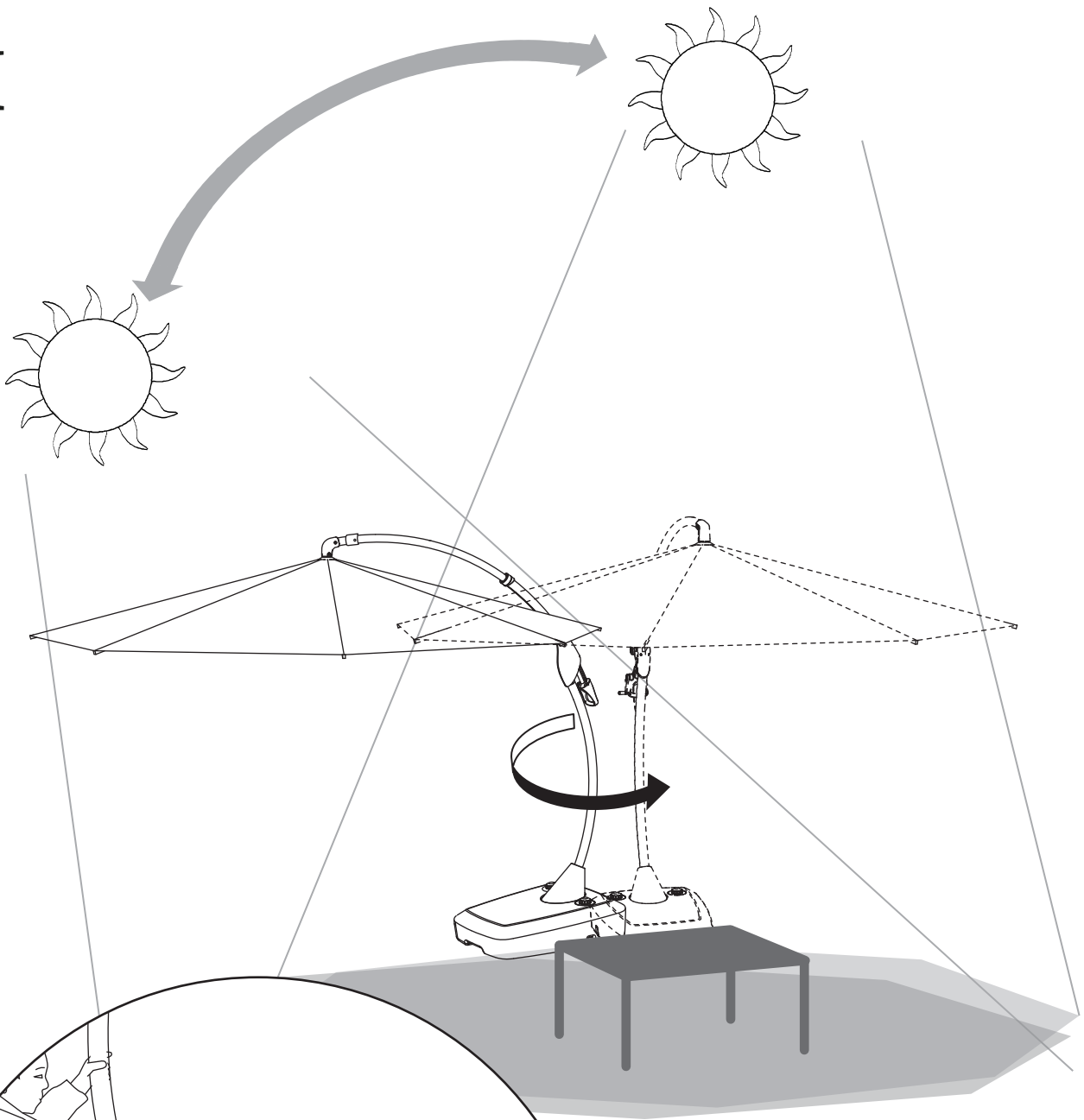
Step 2



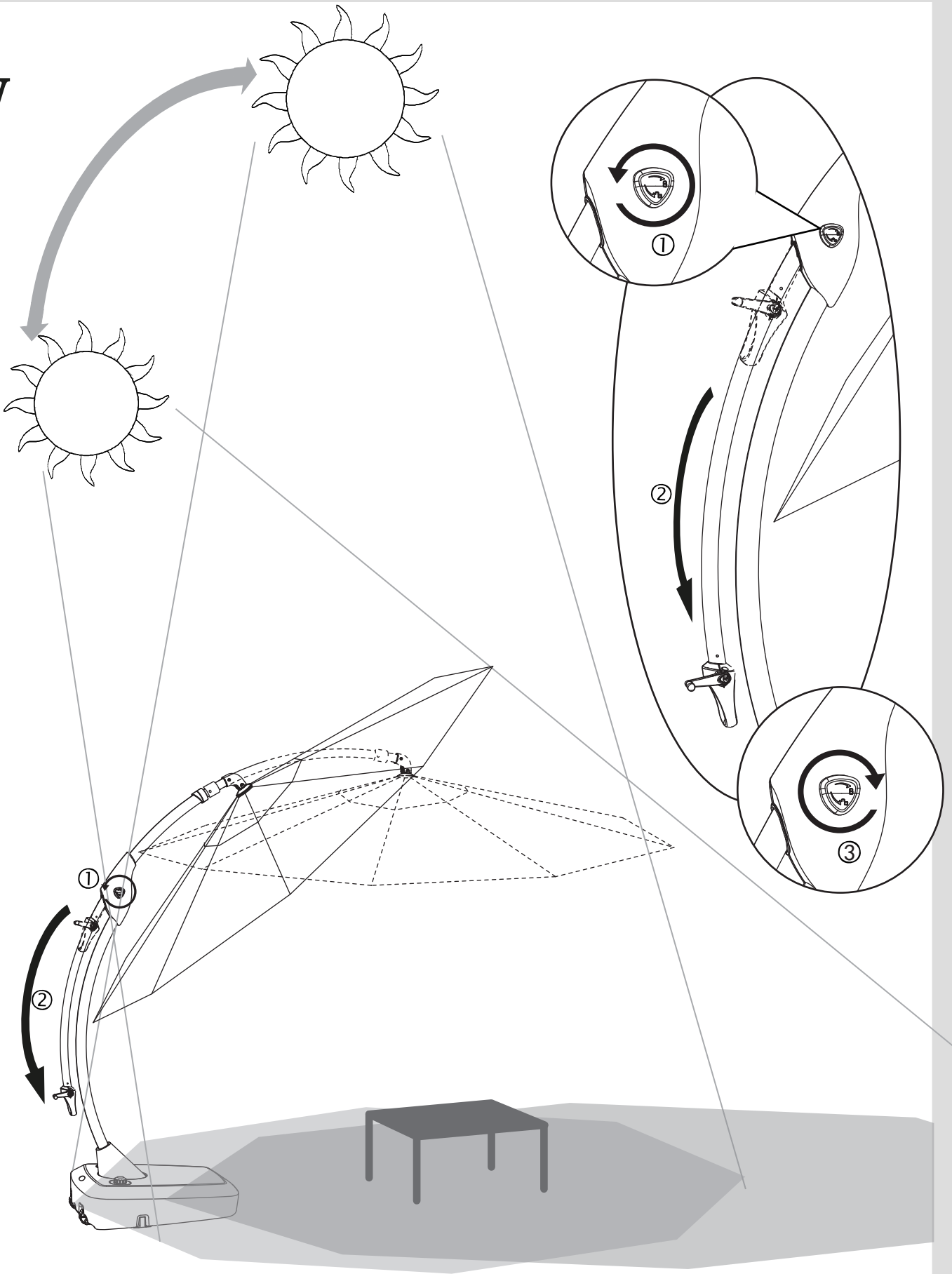
Step 3



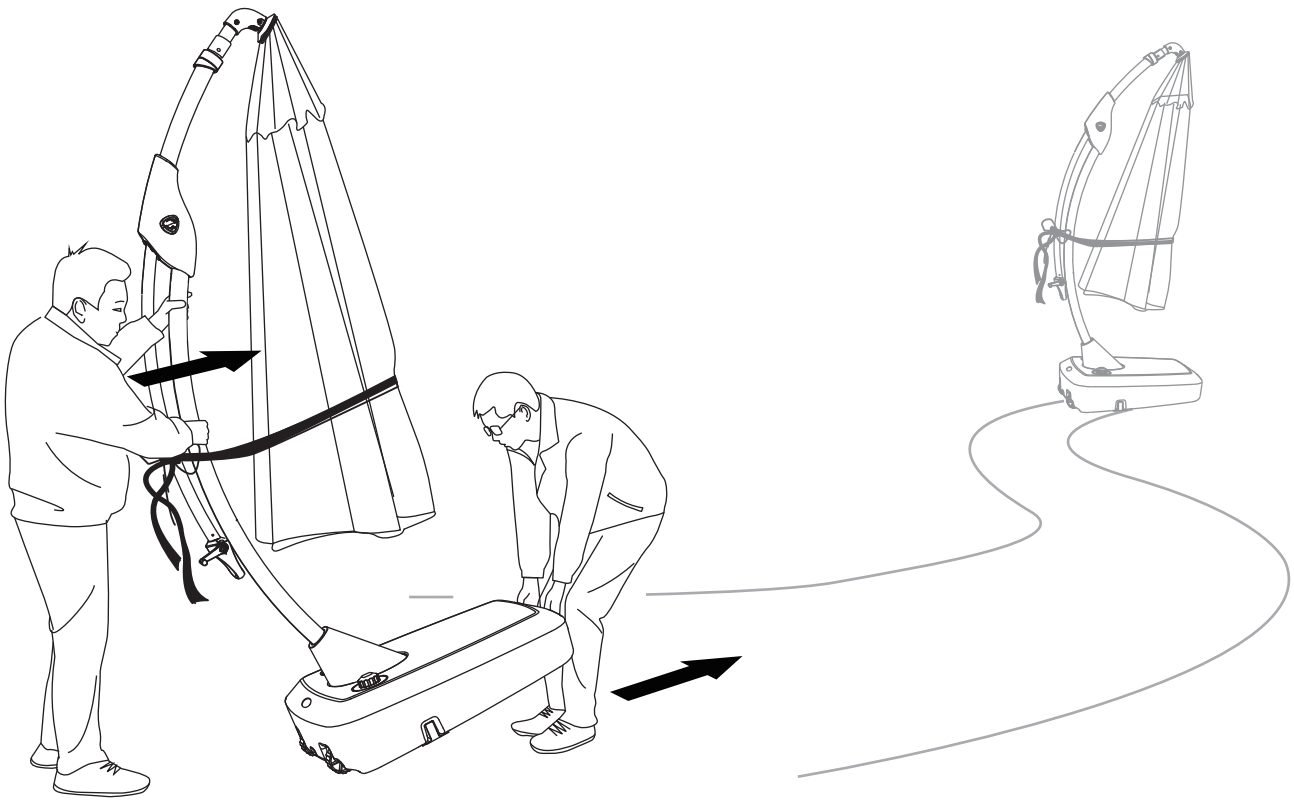
III



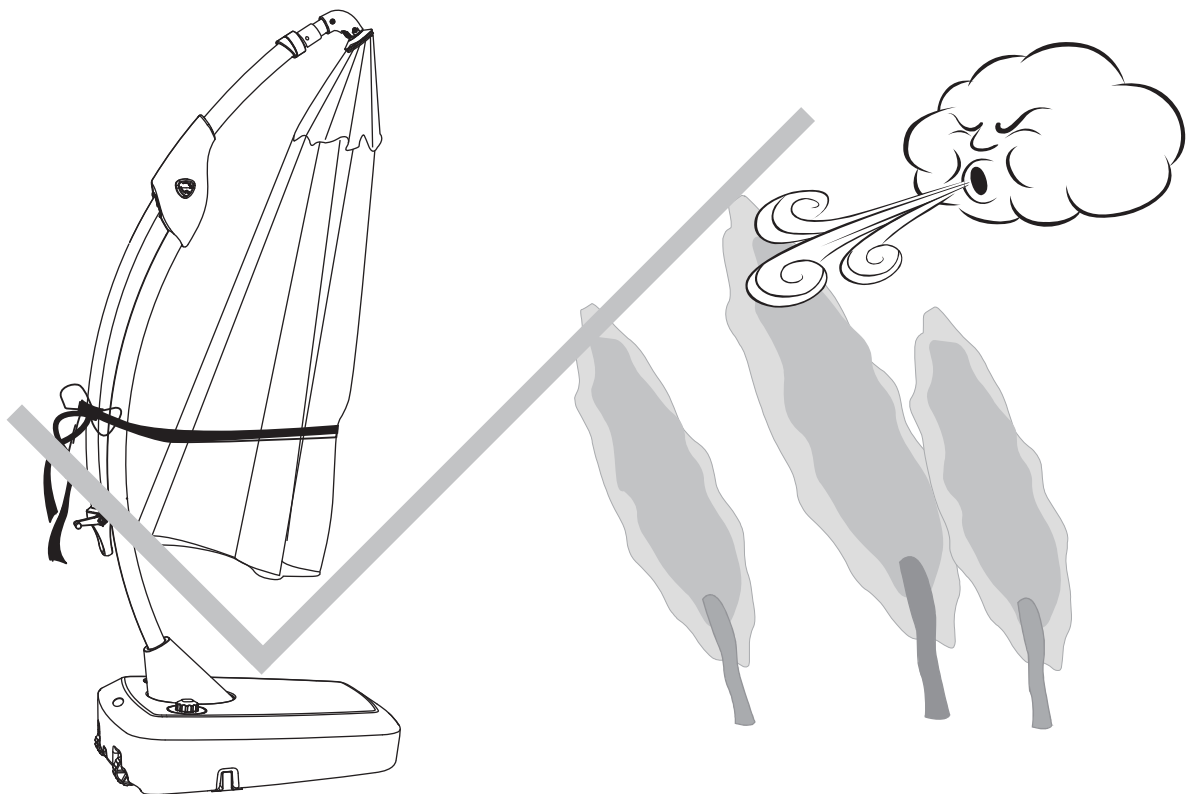
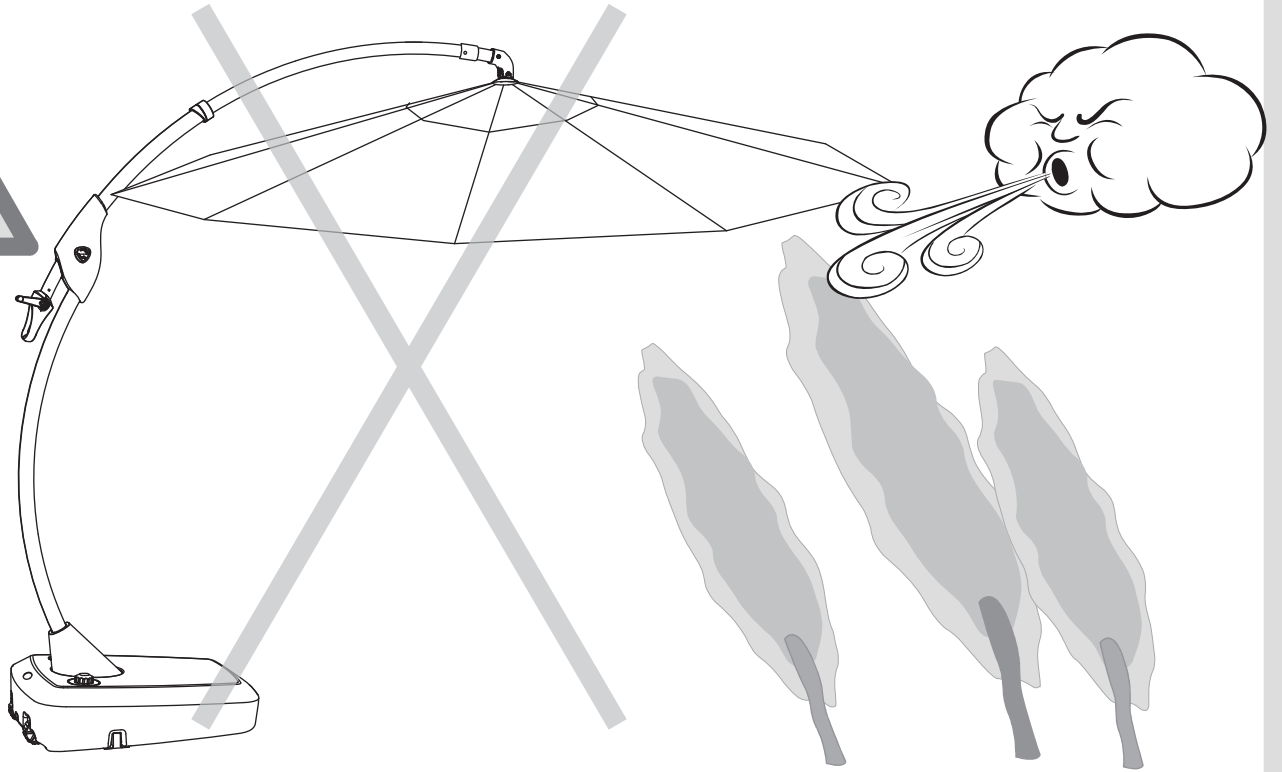
IV



V



VI



VII

