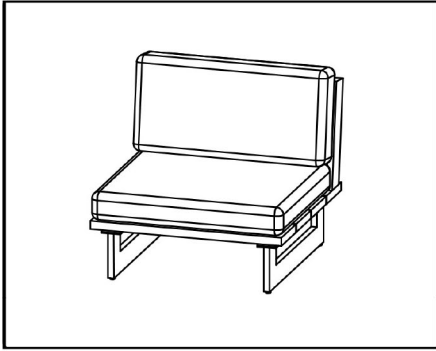
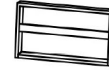


ASSEMBLY INSTRUCTIONS



+ Parts Included

① Backrest Frame
(1 pcs)



② Seat Frame
(1 pcs)



③ Table Leg
(2 pcs)



④ Back Cushion
(1 pcs)



⑤ Seat Cushion
(1 pcs)



+ Do Not Use
Power Tools



+ Suggested
Adults



NOTE:

- 1 Read instructions cover to cover.
- 2 Save all packaging until assembly is completed.

1 IMPORTANT SAFETY INFORMATION

Do not assemble the product if any of the following parts arrived damaged:

Part #1 - Backrest Frame

Part #2 - Seat Frame

Part #3 - Table Leg

2 IMPORTANT ASSEMBLY INFORMATION

Assembly Step Use B, C to connect Part 1 to Part 3

+ Hardware Included

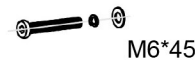
A Connector
(1 pcs)



B Shorter Screw & Nut
(8 pcs)



C Longer Screw & Nut
(4 pcs)



D Wrench
(1 pcs)



ASSEMBLY INSTRUCTIONS

