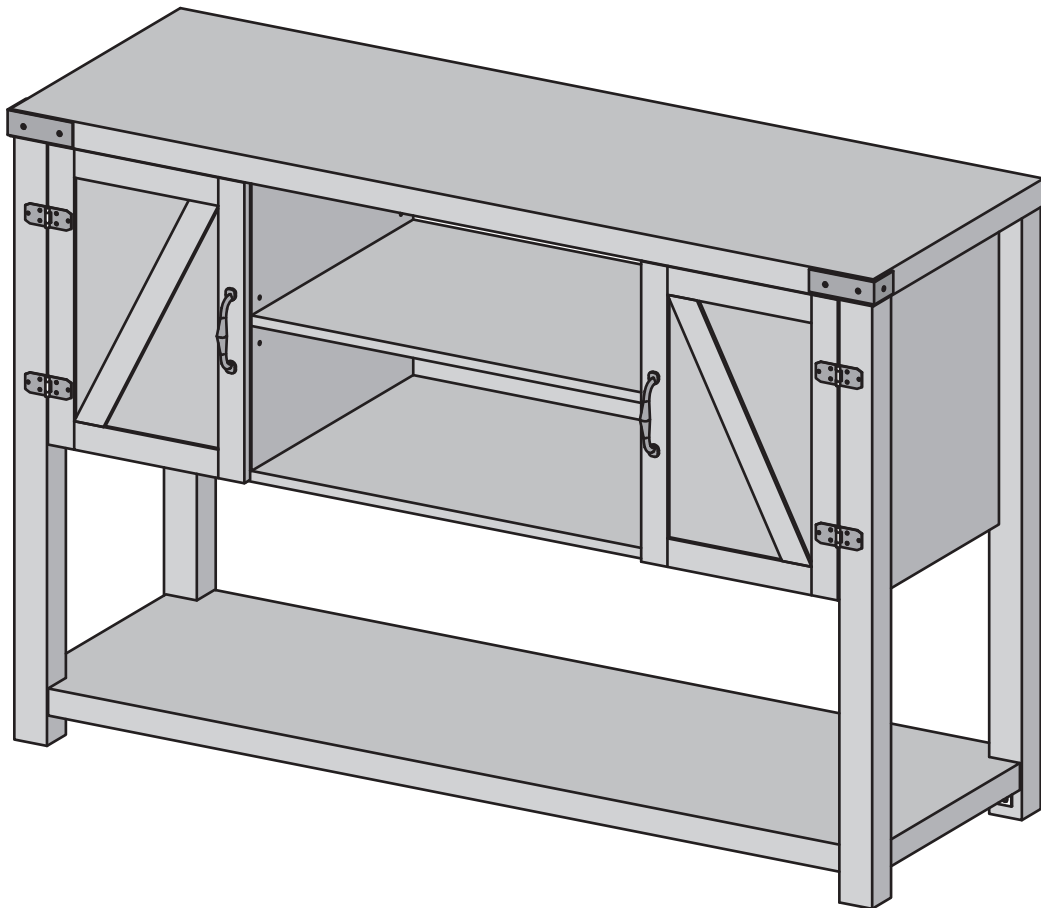
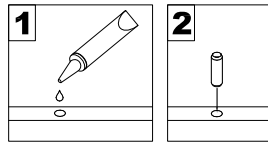


## Assembly Instructions

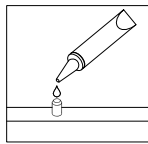


# General Assembly Guidelines

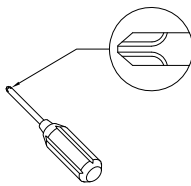
- I. Ensure that all parts and hardware are available before beginning assembly.
- II. Follow each step carefully to ensure the proper assembly of this product.
- III. Two people are recommended for ease in the assembly of this product.
- IV. The three main types of hardware used to assemble this product are : wood dowels , screws and bolts.
- V. The provided glue is to secure wood dowels in place . When first inserting dowels , locate the appropriate hole for the dowel , place a small amount of glue in the hole and insert the dowel . Wipe away excess glue immediately.



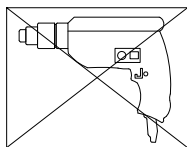
In future assembly steps when dowels are necessary to attach assembly parts together , place a small amount of glue on the end of the dowel before attaching parts together . Wipe away excess glue immediately.



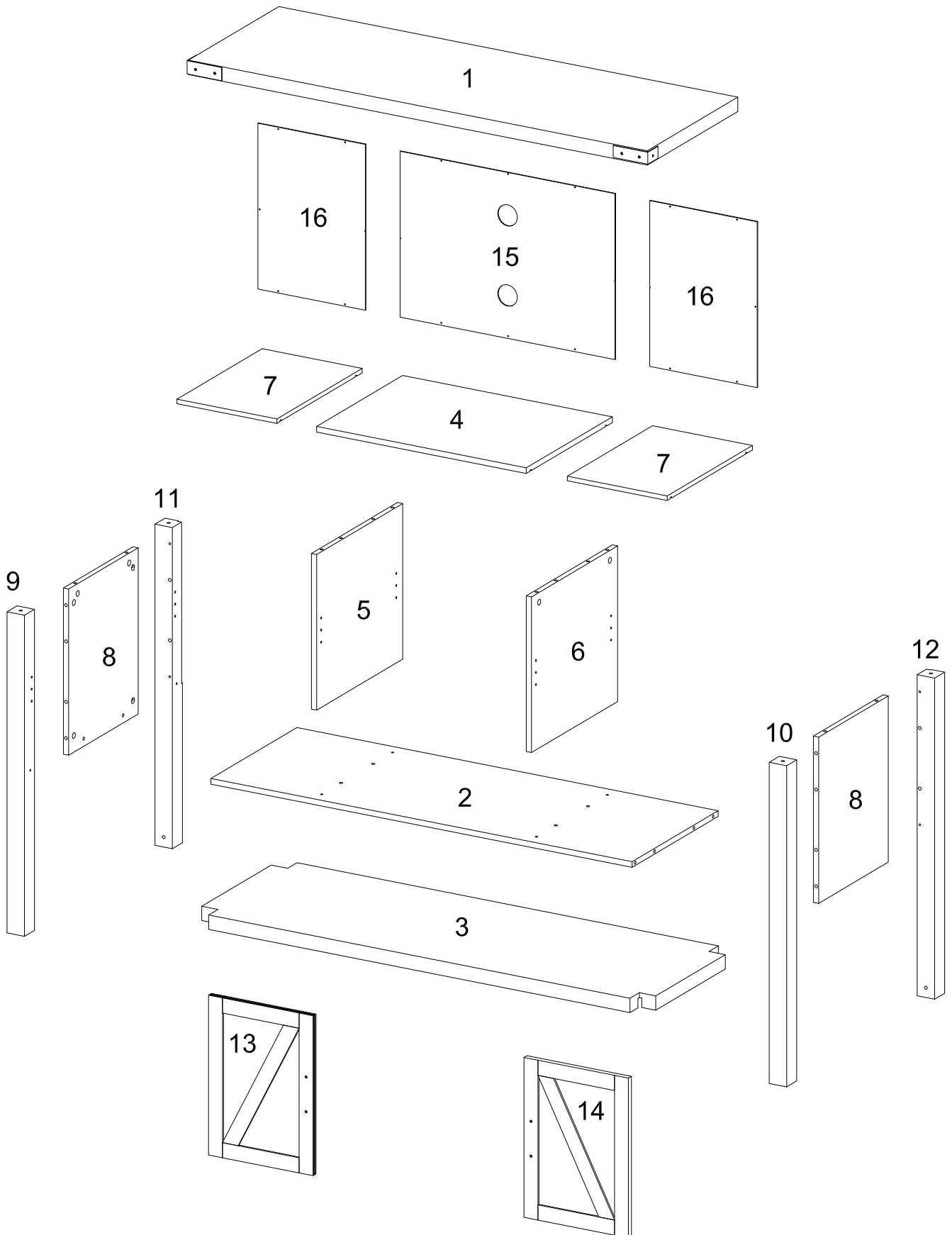
- VI. A Phillips head screwdriver is required for the assembly of this product .







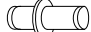
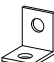


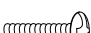

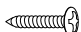

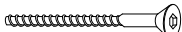


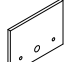
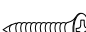


- VII. Power tools should not be used to assemble this product .

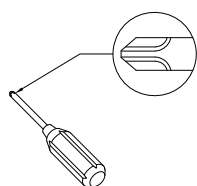


# Parts List



# Hardware List

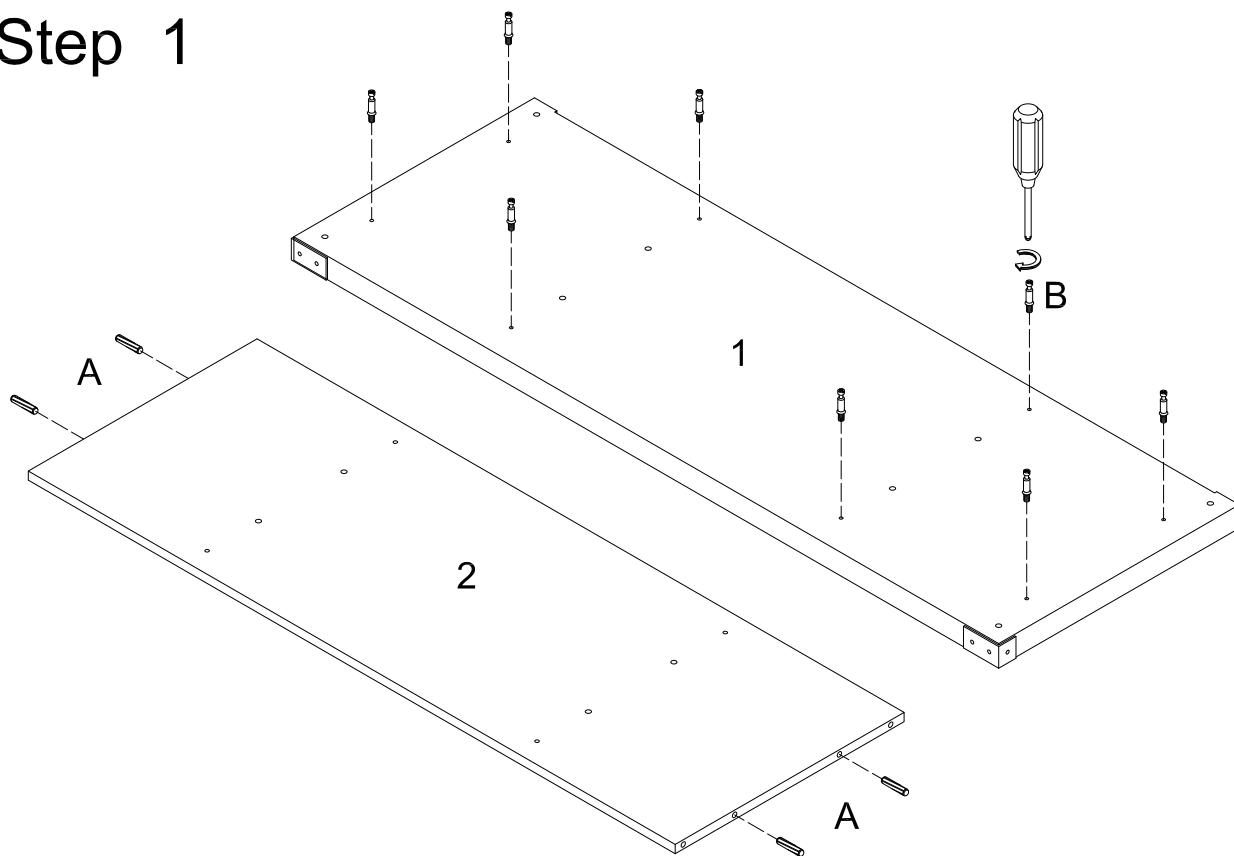
A		Ø8x30mm	Wooden dowel	24 pcs
B		Ø6x35mm	Cam bolt	20 pcs
C		Ø15x11mm	Cam lock	20 pcs
D		Ø3x12mm	Screw	18 pcs
E			Shelf support pin	12 pcs
F			Iron angle	4 pcs
G			Bolt	8 pcs
H			Handle	2 pcs
J		Ø4x22mm	Bolt	4 pcs
K			Hinge	4 pcs
L		Ø3x12mm	Screw	24 pcs
M			Sticker	20 pcs
N		Ø6x50mm	Screw	4 pcs
P			Door stopper	2 pcs
Q		Ø3x15mm	Screw	4 pcs
R		30x20mm	Metal piece	2 pcs
S		Ø3x12mm	Screw	2 pcs
U		Ø4mm	Wrench	1 pc
V			Glue tube	1 pc



Philips head screwdriver required for assembly  
(not included)

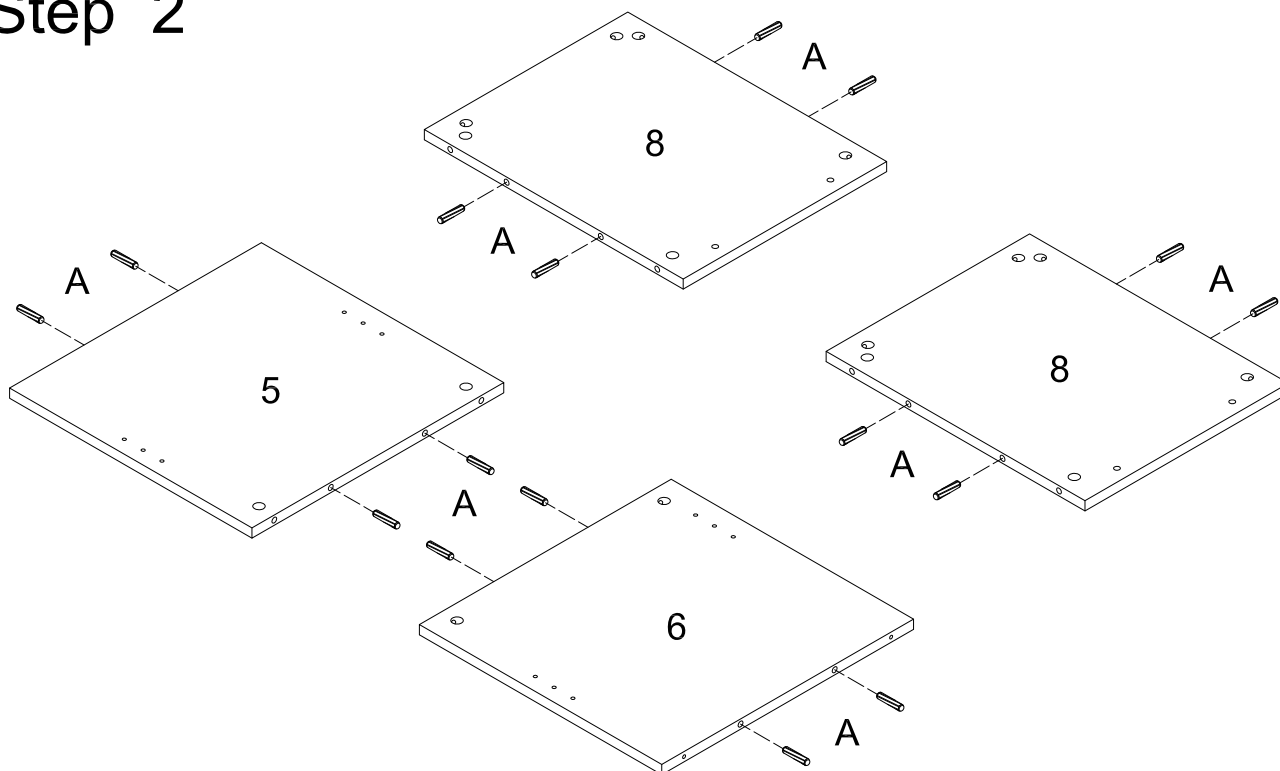
*The hardware quantities listed above are required for proper assembly.  
Some extra hardware may also have been included.*

# Step 1



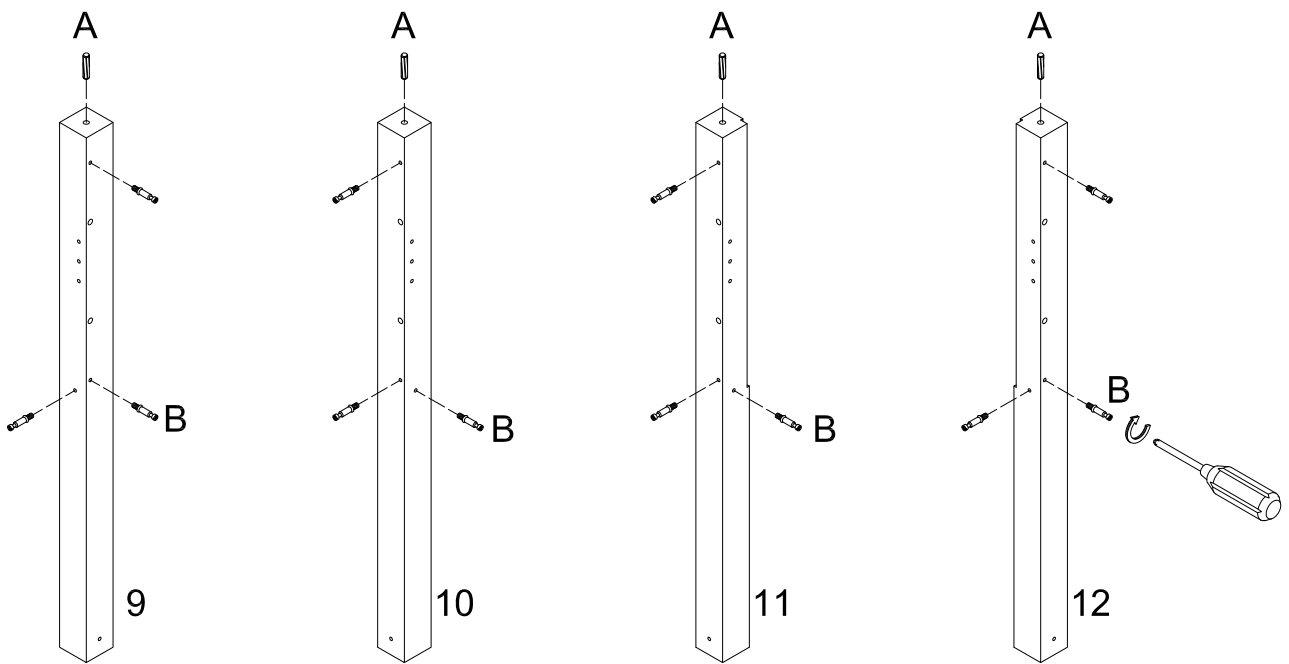
Attach cam bolts (B) to parts (1). Insert wooden dowels (A) into parts (2).

# Step 2



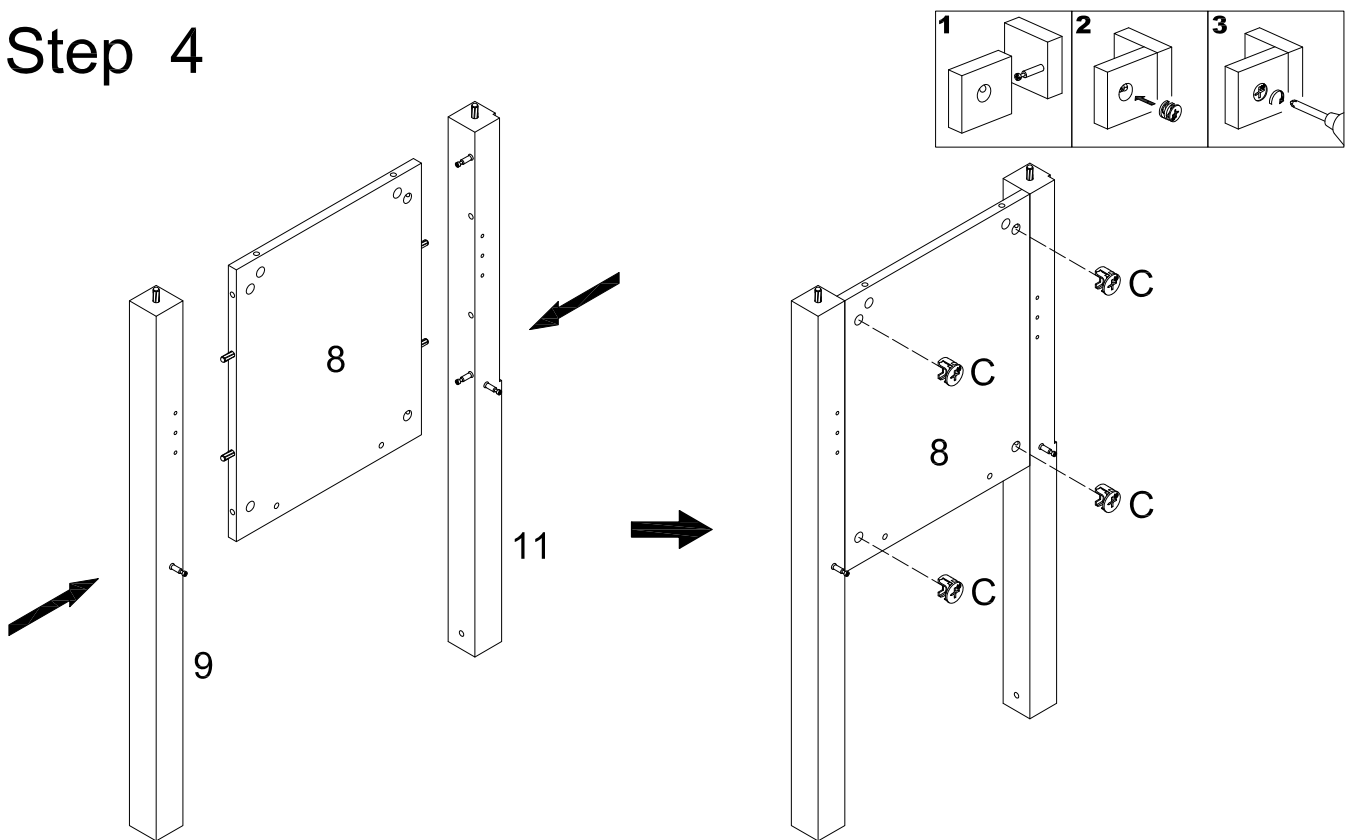
Insert wooden dowels (A) into parts (5, 6) and (8) as shown in the diagram.

# Step 3



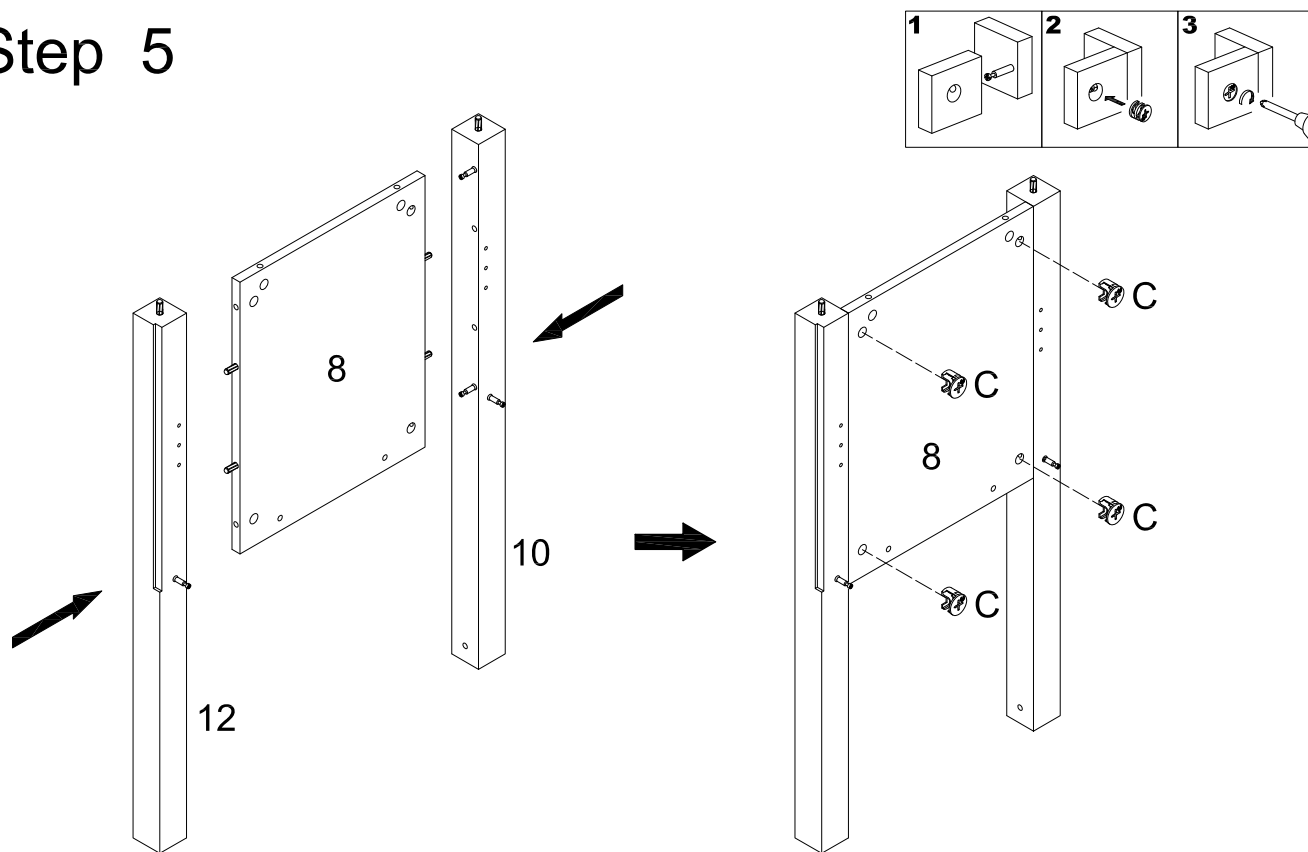
Attach cam bolts (B) and Insert wooden dowels (A) into parts (9,10,11) and (12).

# Step 4



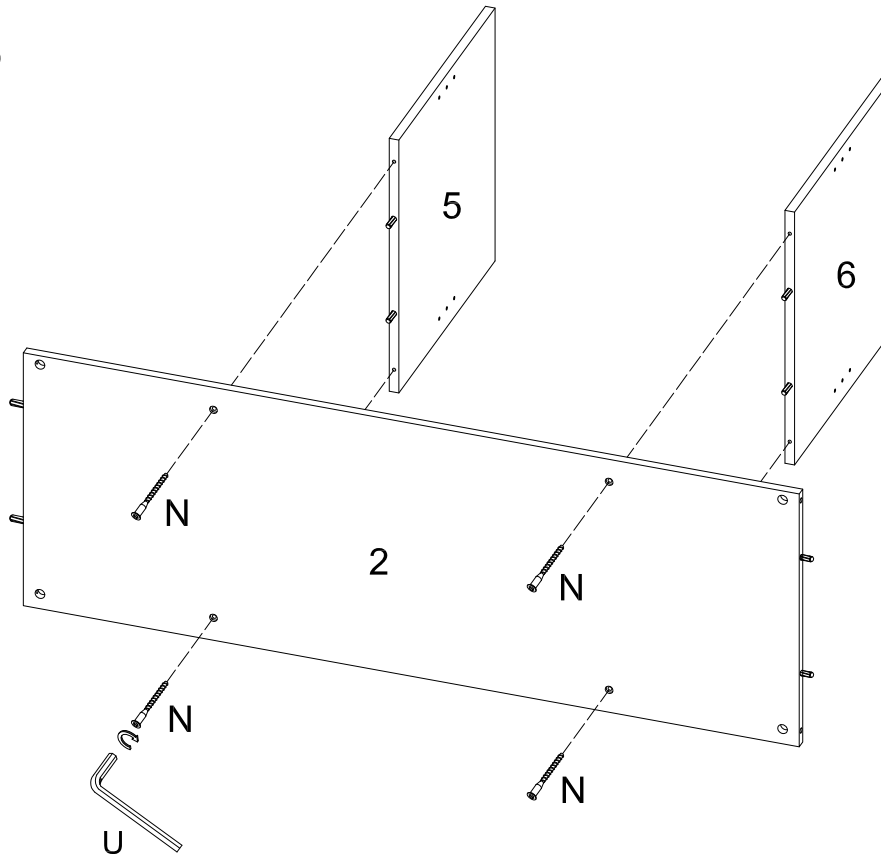
Attach parts (9) and (11) to part (8), then insert and tighten cam locks (C) as shown in the diagram.

# Step 5



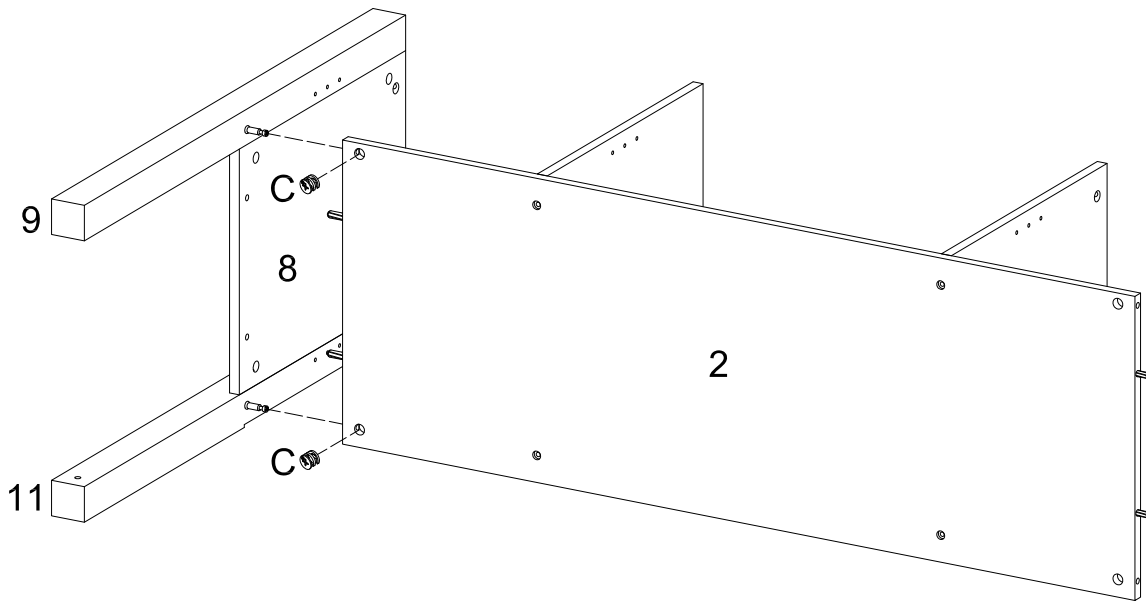
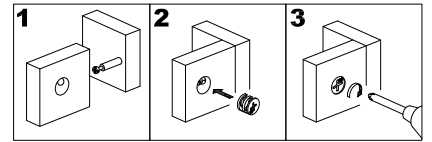
Attach parts (10) and (12) to part (8), then insert and tighten cam locks (C) as shown in the diagram.

# Step 6



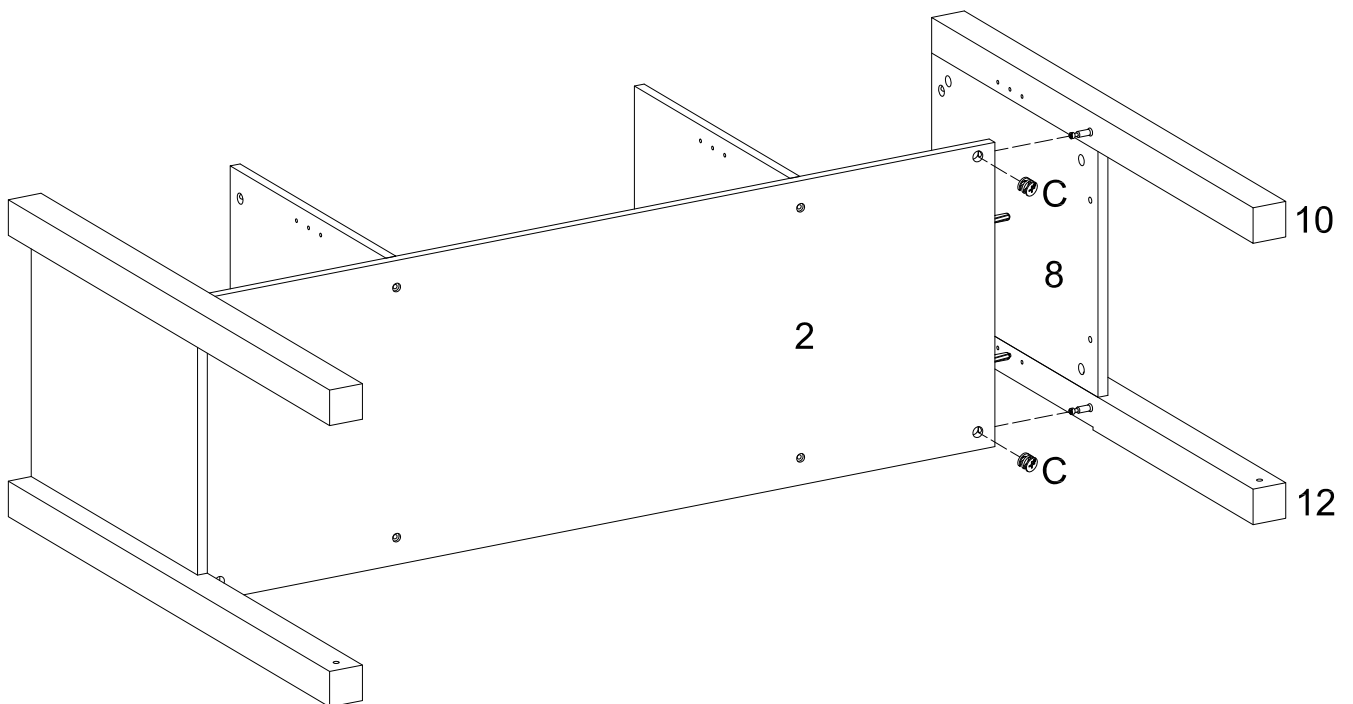
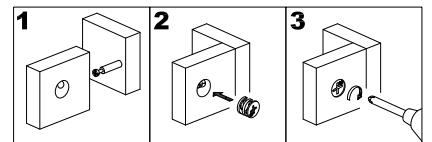
Use the wrench (U) to tighten bolts (N) to connect parts (5) and (6) to part (2).

# Step 7



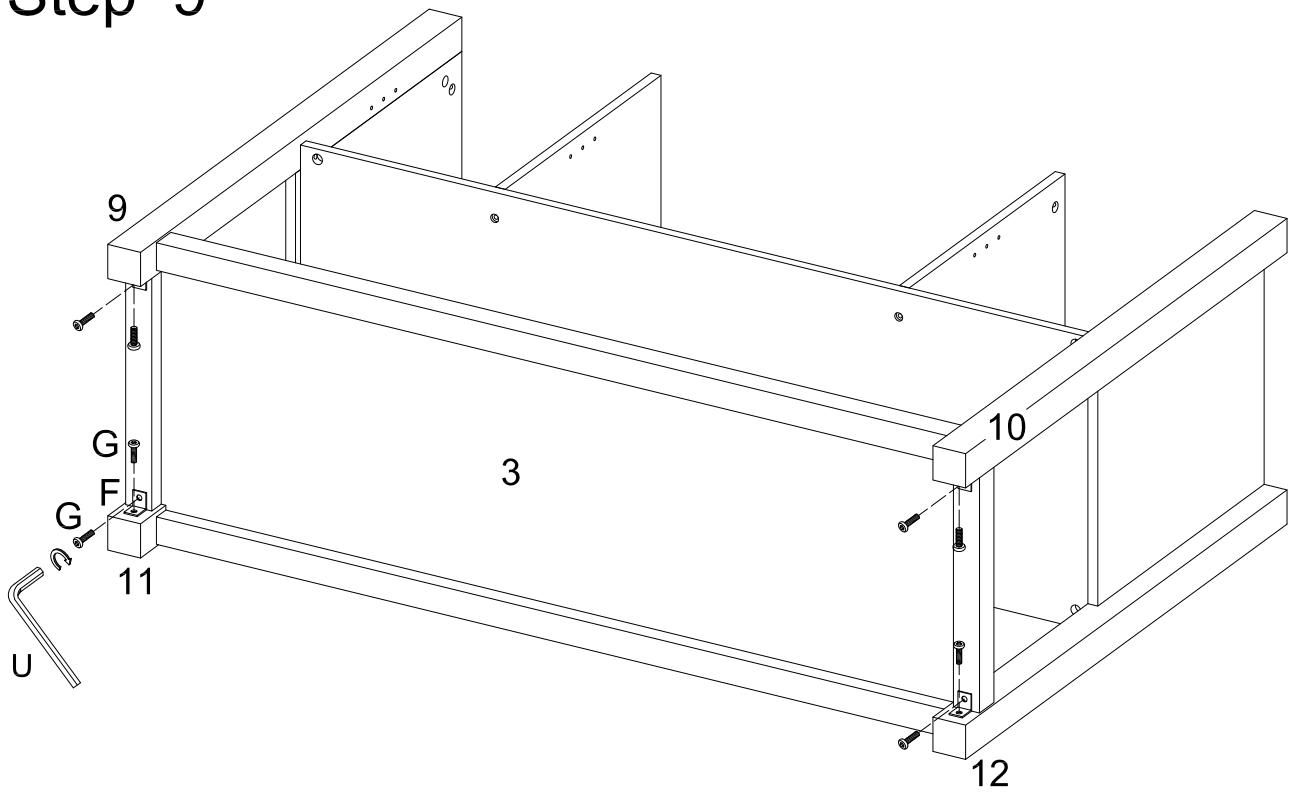
Use cam bolts (C) to connect parts (9) and (11) to part (2).

# Step 8



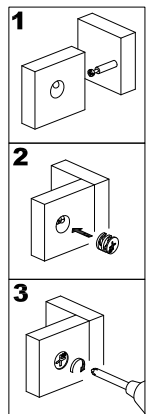
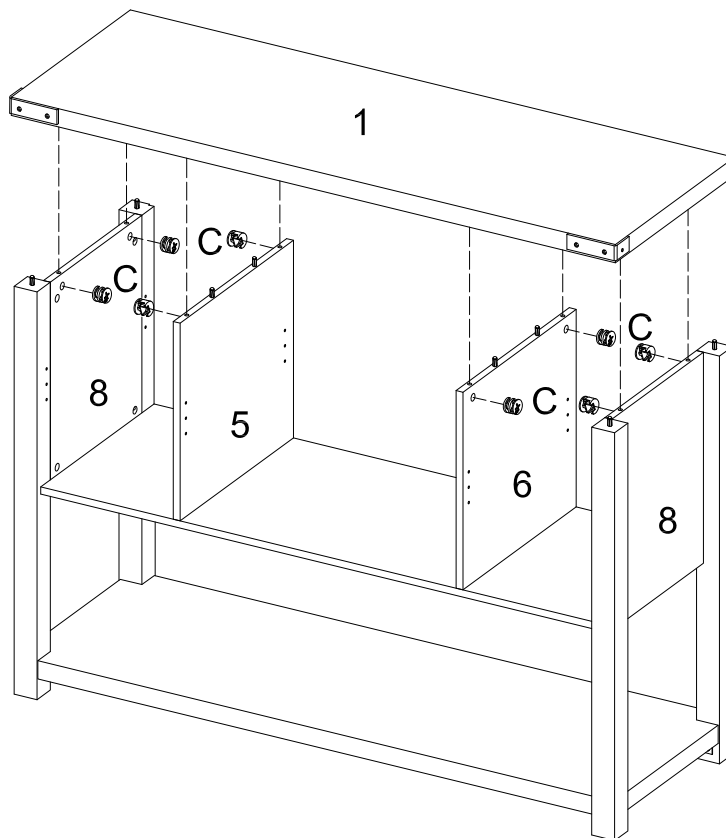
Use cam bolts (C) to connect parts (10) and (12) to part (2).

## Step 9



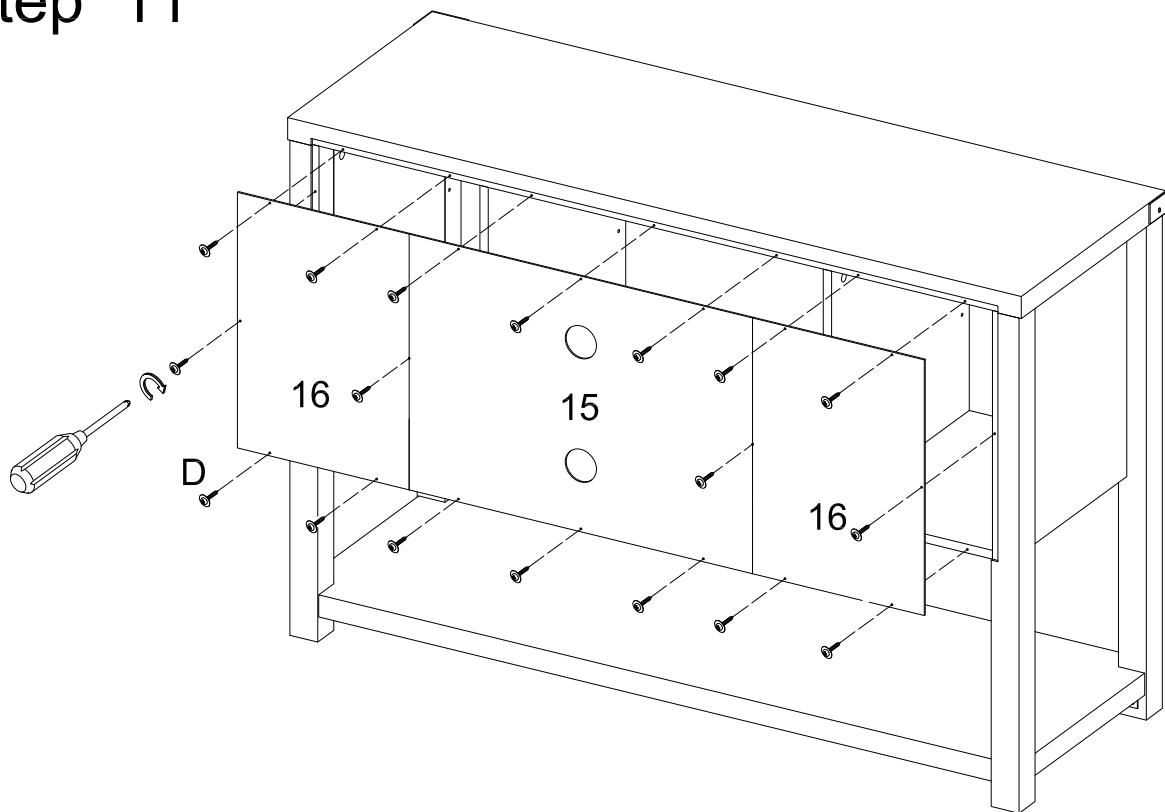
Secure shelf (3) to legs using parts (F) and (G) as shown in the diagram.

## Step 10



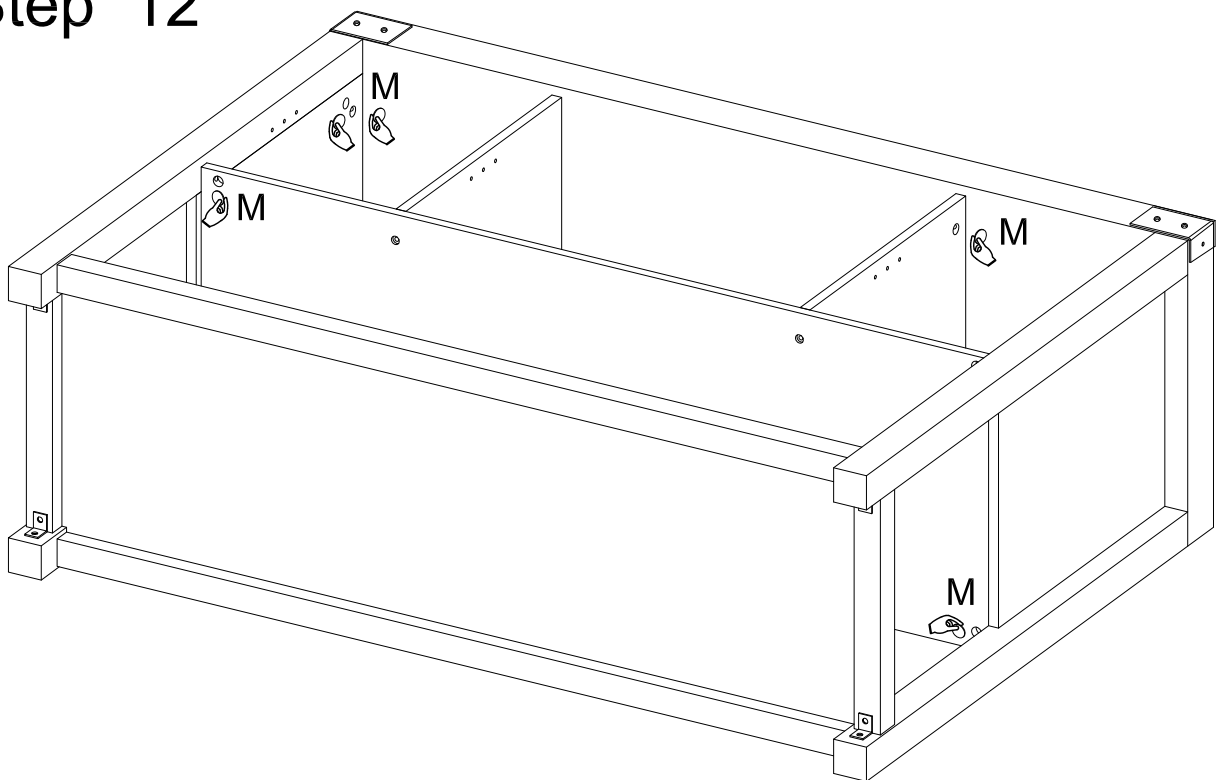
Use cam bolts to connect part (1) to the frame assembly as shown in the diagram.

## Step 11



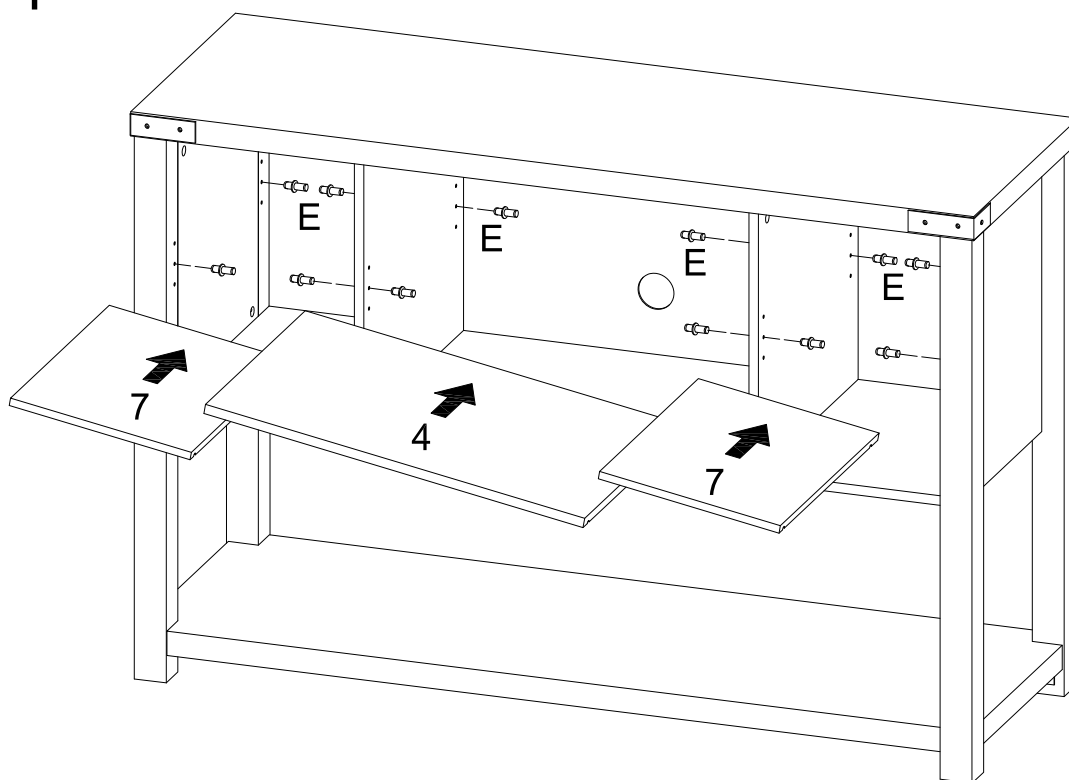
Attach back panels (15) and (16) using screws (D) as shown in the diagram.

## Step 12



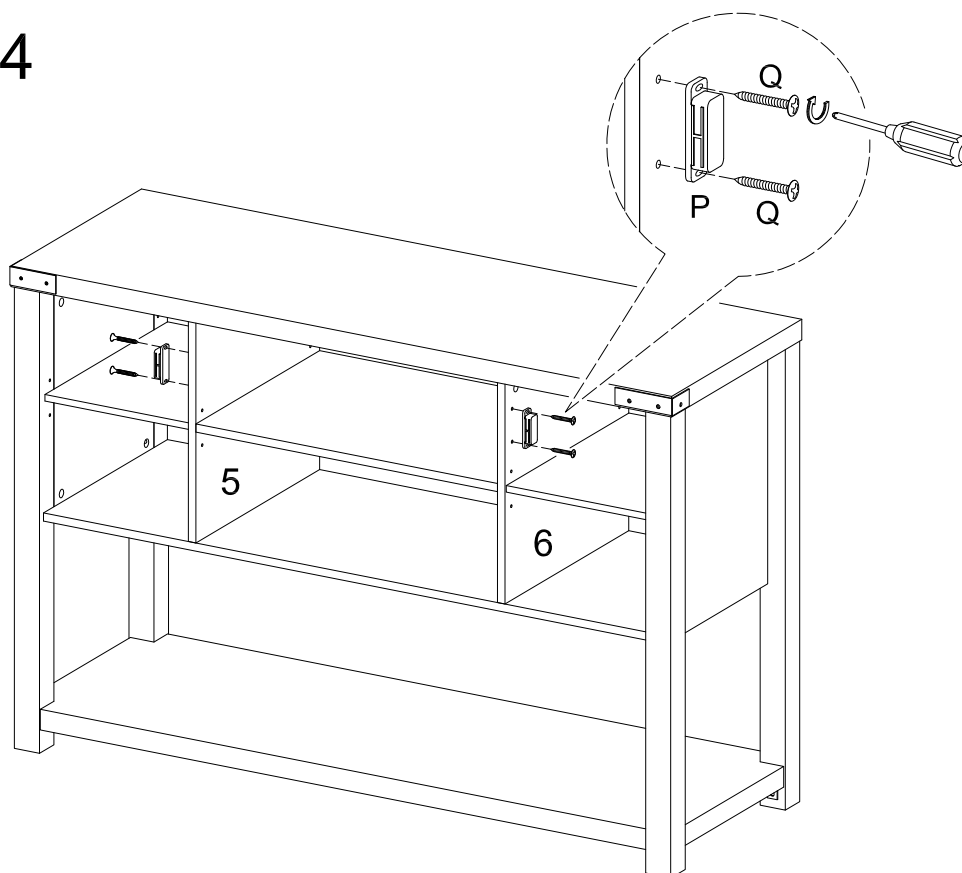
Place stickers (M) over cam locks as desired.

## Step 13



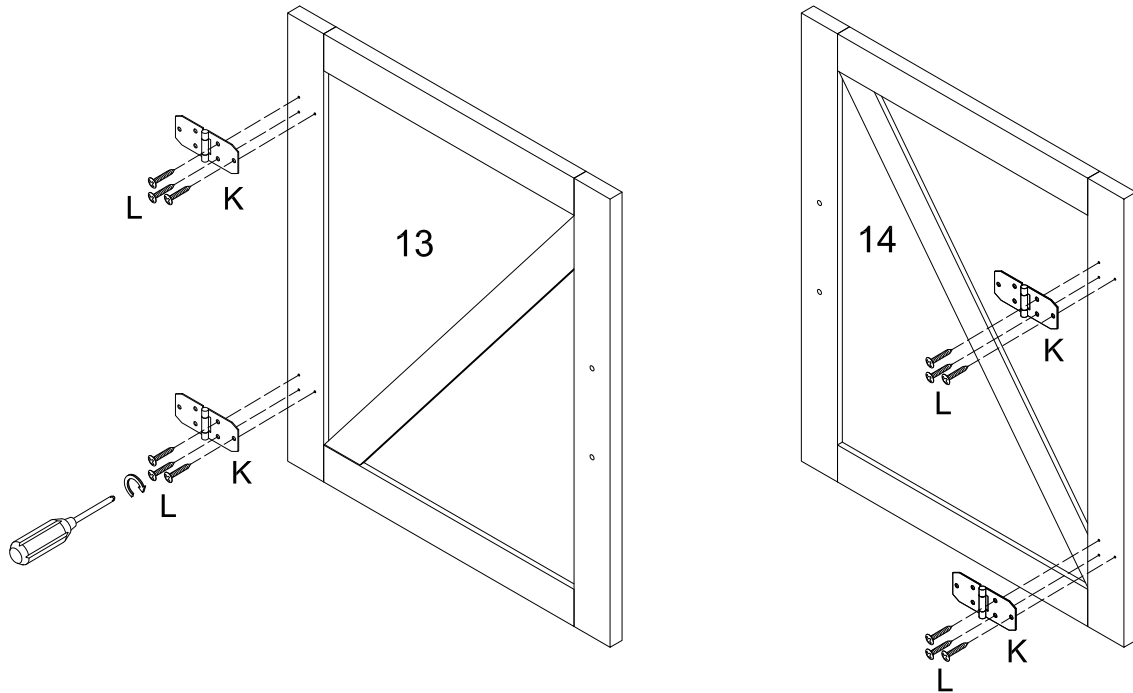
Insert shelf supports (E) and place shelves (4) and (7) as shown in the diagram.

## Step 14



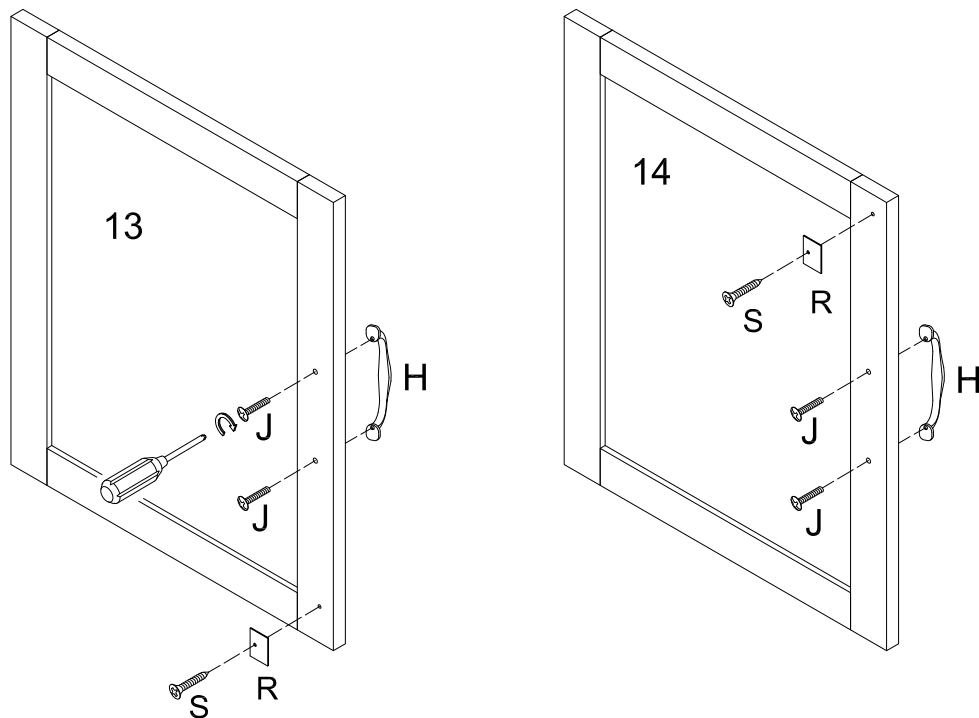
Attach door stopper (P) to designated areas by using screws (Q).

## Step 15



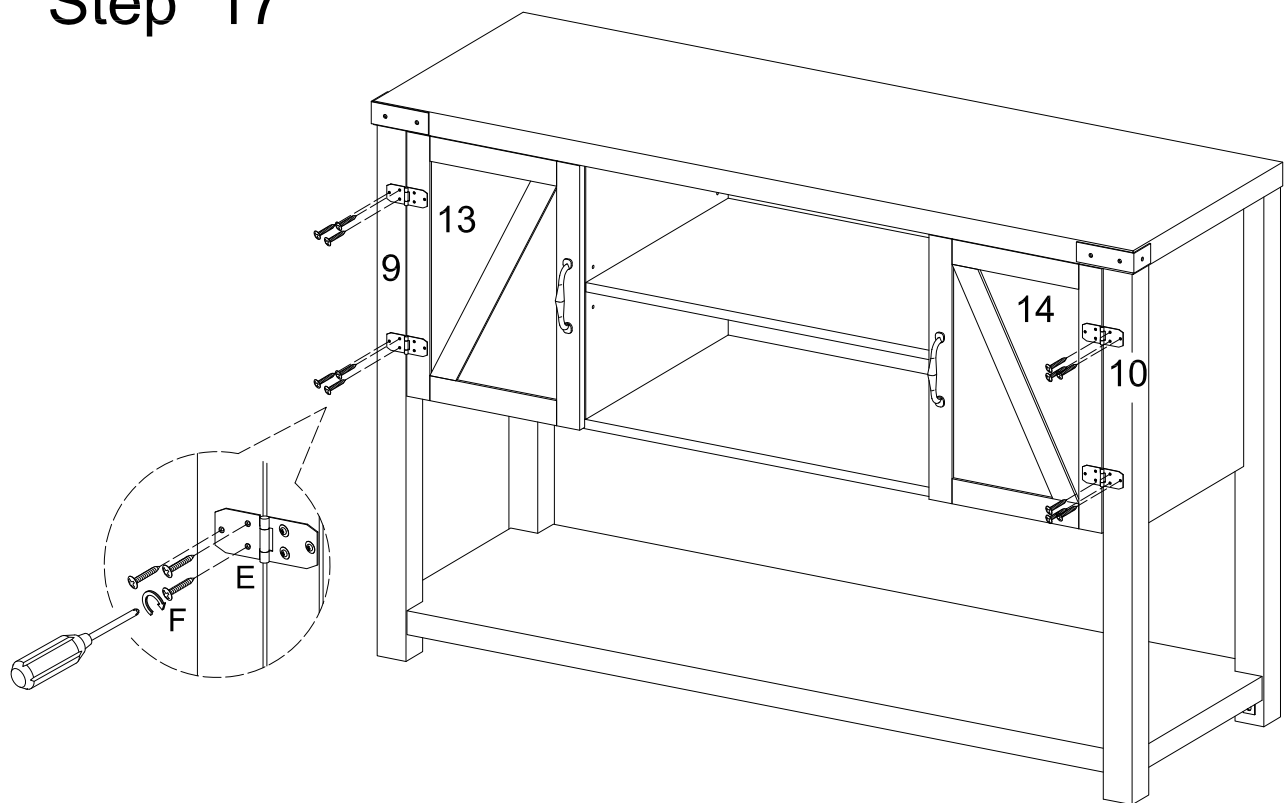
Attach hinges (K) to the doors (13,14) by using screws (L).

## Step 16



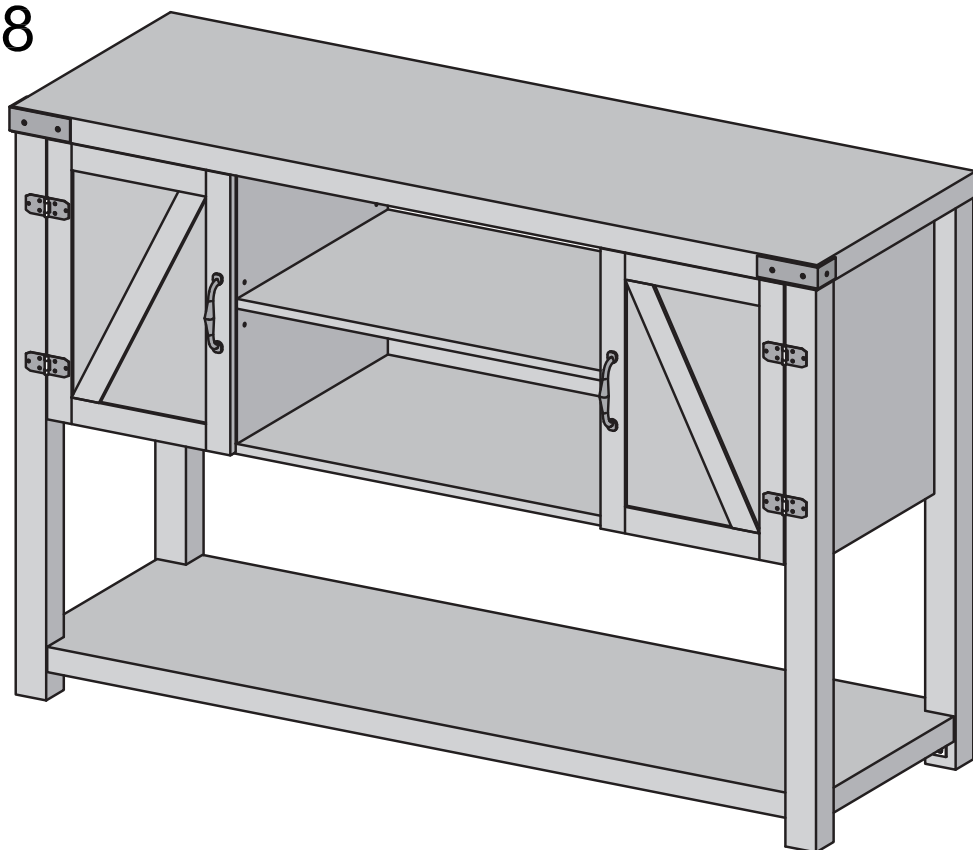
Attach handles (H) to the doors (13,14) by using screws (J). Attach metal stopper (R) using screw (S).

## Step 17



Attach hinges (E) by using screws (F) as shown in the diagram.

## Step 18



Final Assembly