









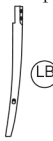
ASSEMBLE INSTRUCTION


J x 8pcs  M8	K x 8pcs  M8	L x 1pc  M6
M x 8pcs  M6 x 35mm	N x 8pcs  M8 x 60mm	


A x 1pc  BACK&SEAT


B x 1pc  Left Front Legs


C x 1pc  Right Front Legs


D x 1pc  Left Back Legs

E x 1set  Right Back Legs

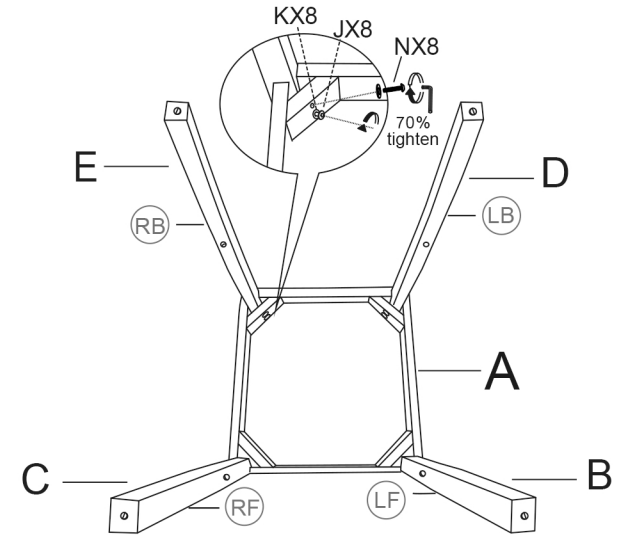
F x 1pc  Left RUNG

G x 1pc  Right RUNG

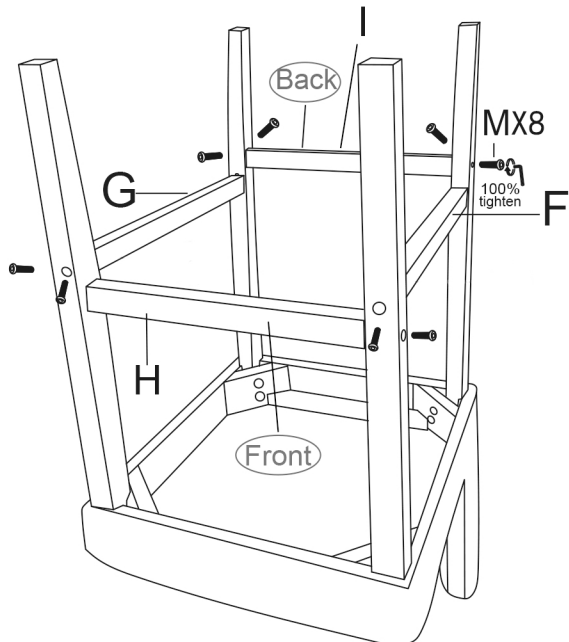
H x 1pc  Front RUNG

I x 1pc  Back RUNG

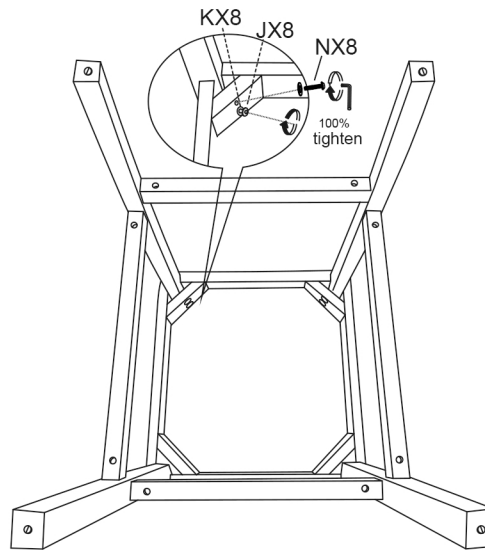
STEP 1:



STEP 2:



STEP 3:



Make Sure All Holes In the Rungs Are Facing Ground When The Chair Standing

STEP 4:

