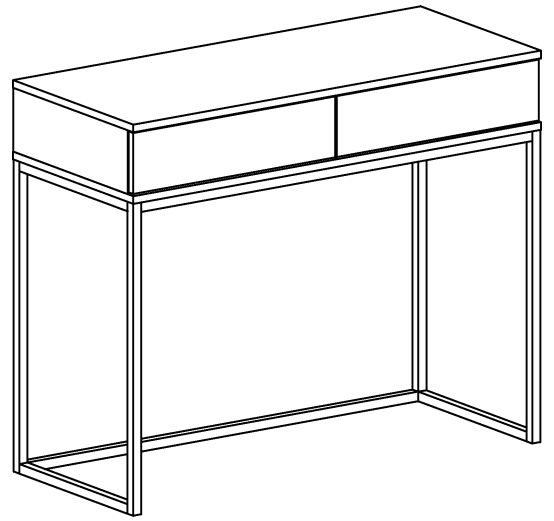
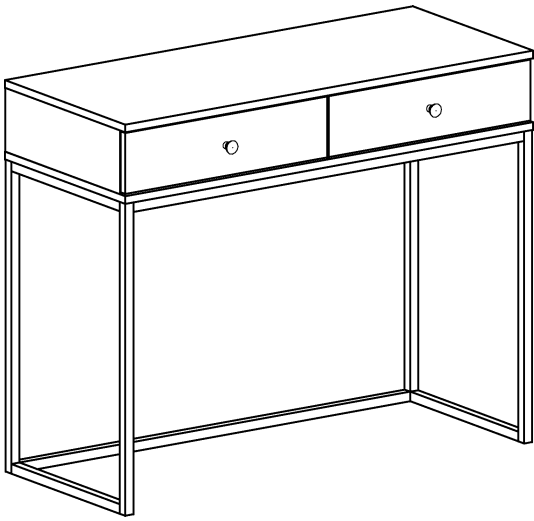
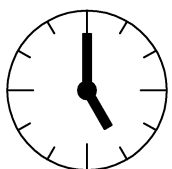
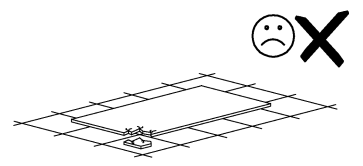
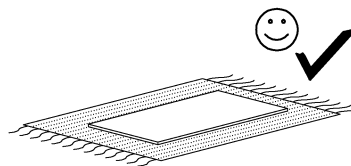
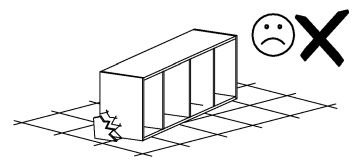
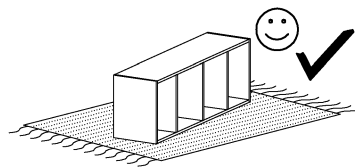
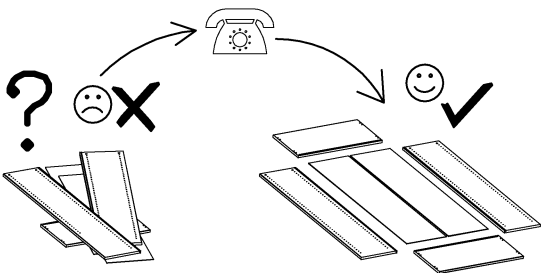
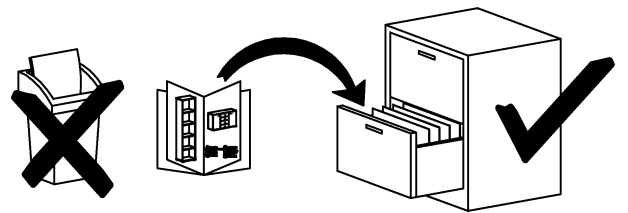
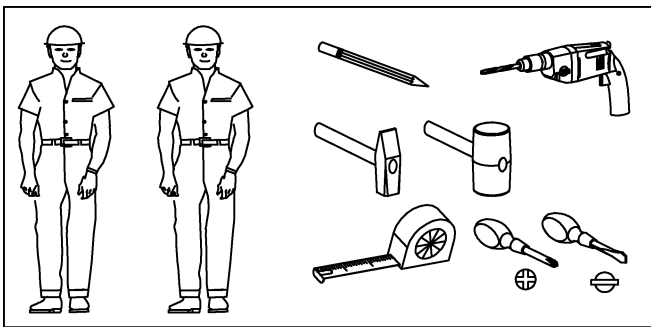


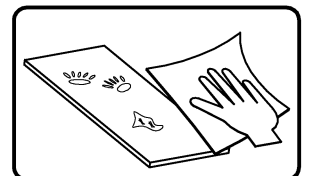
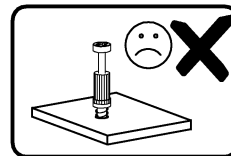
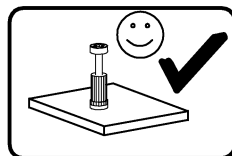
# table

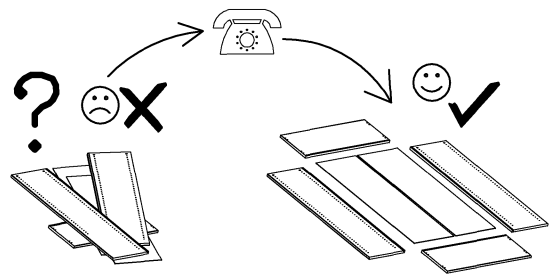
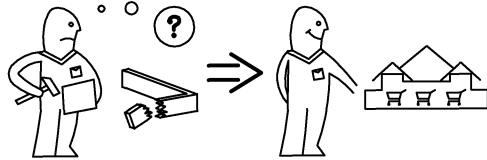
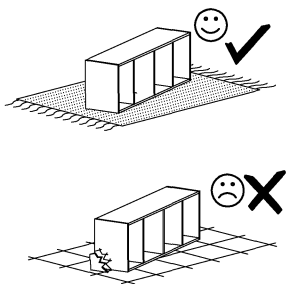


PUSH

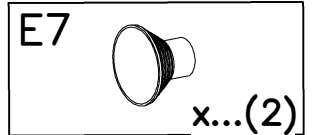


1,5h

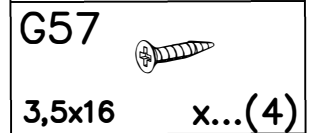
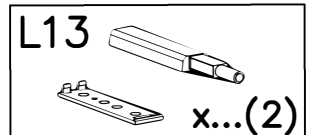
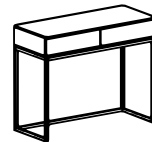




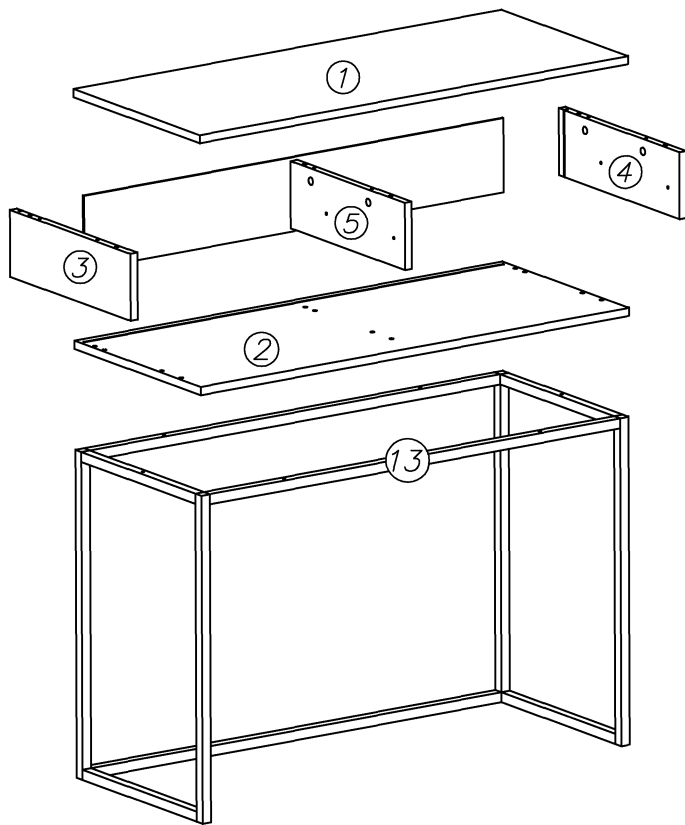
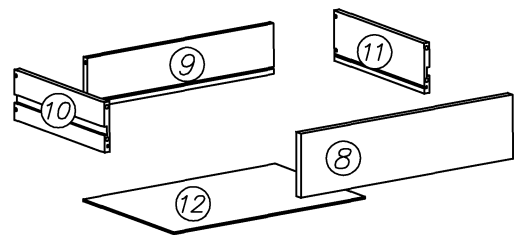
### OPCJA A



### OPCJA B

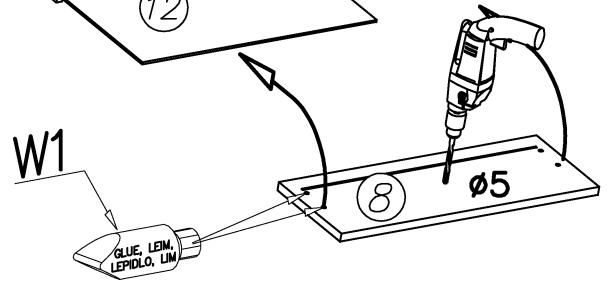
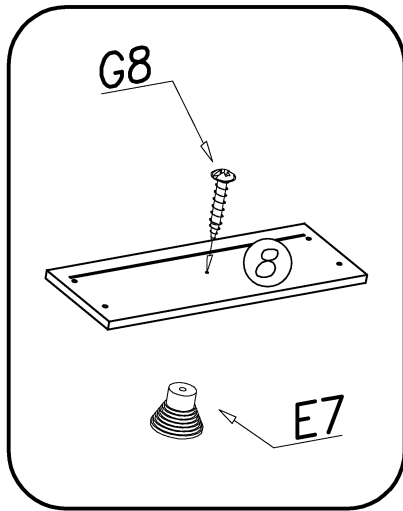
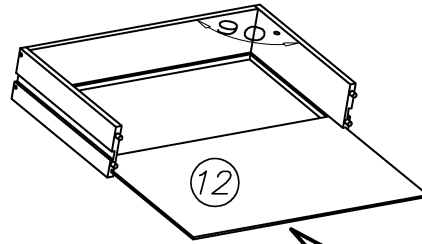
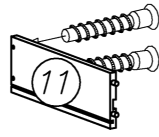
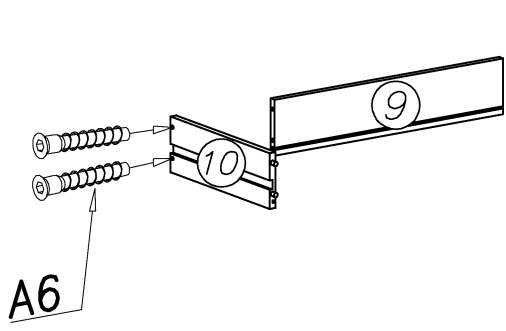


PUSH

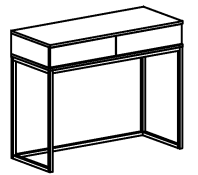
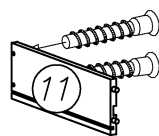
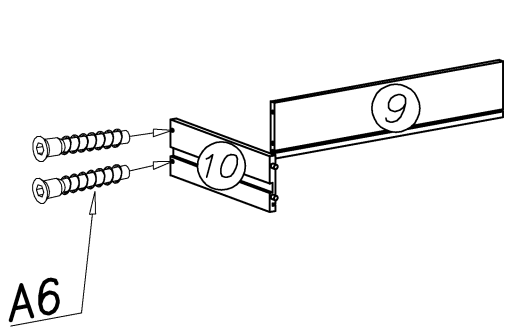


	G34 3,5x16 x...(2)	M11 x...(1)	G28 4x60 x...(1)	U6 ø8x40 x...(1)
I22 x...(4)	G49 6x20 x...(4)	H3 280mm x...(4)	G50 6x13 x...(4)	
K1 ø15x12 x...(6)	G8 4x30 x...(8)	N1 M4x9 x...(4)	I1 x...(4)	W1 GLUE, LEIM, LEPIDLO, LİM x...(1)
K10 x...(6)	B1 ø8x35 x...(20)	W2 x...(1)	A6 ø7x40 x...(8)	A1 ø7x50 x...(6)

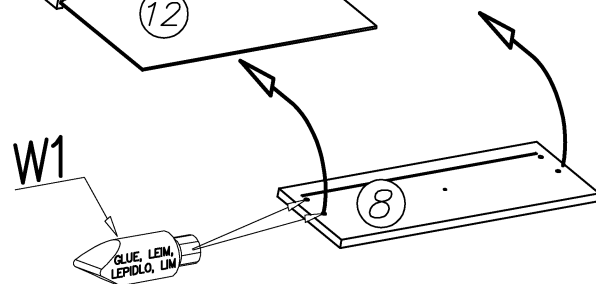
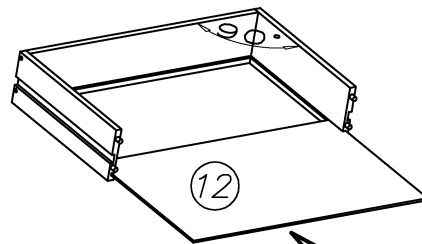
I



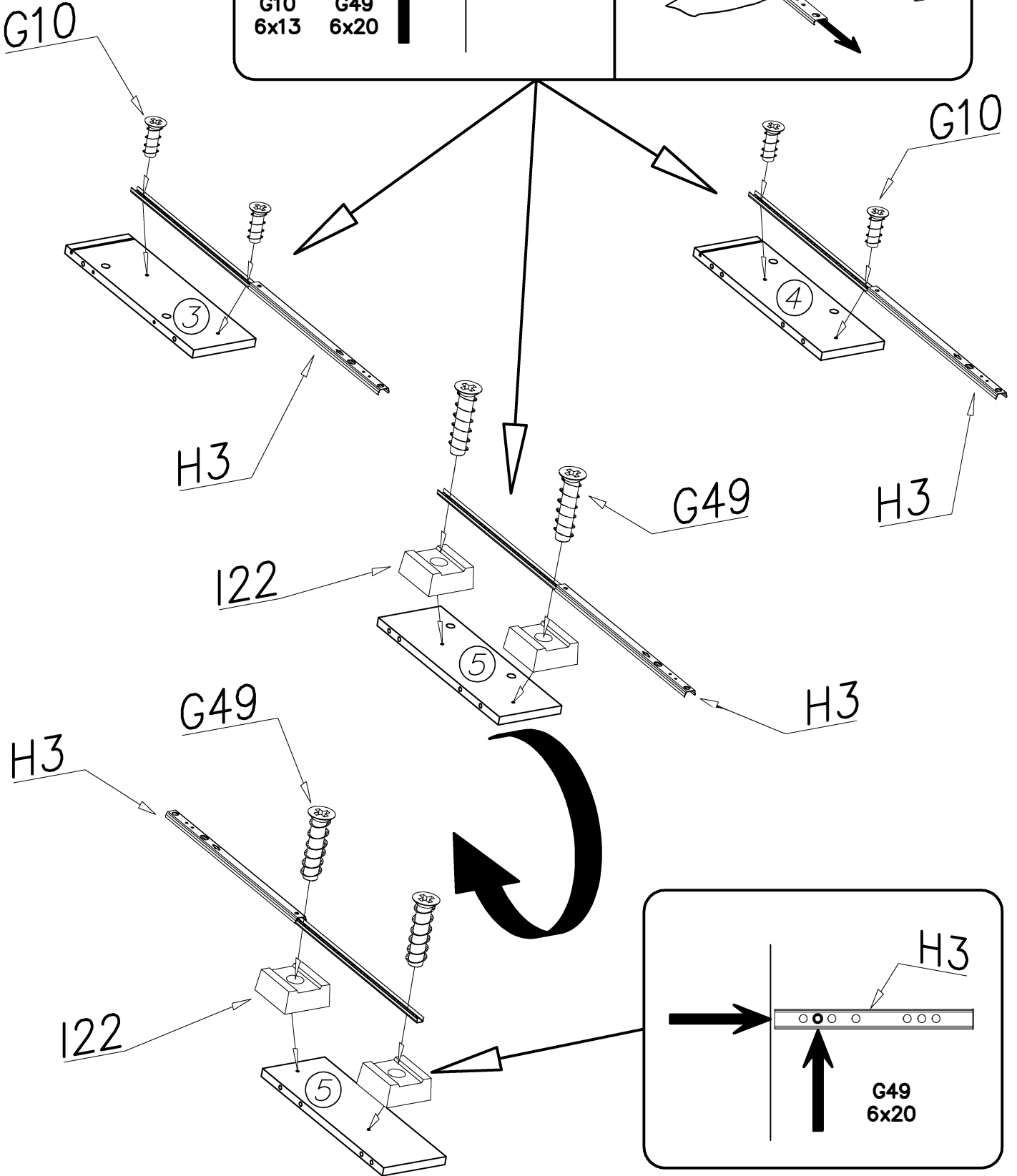
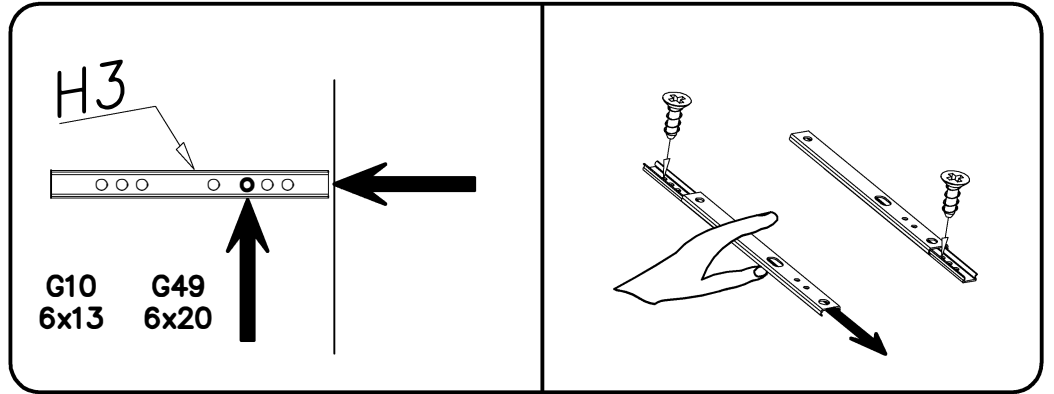
II



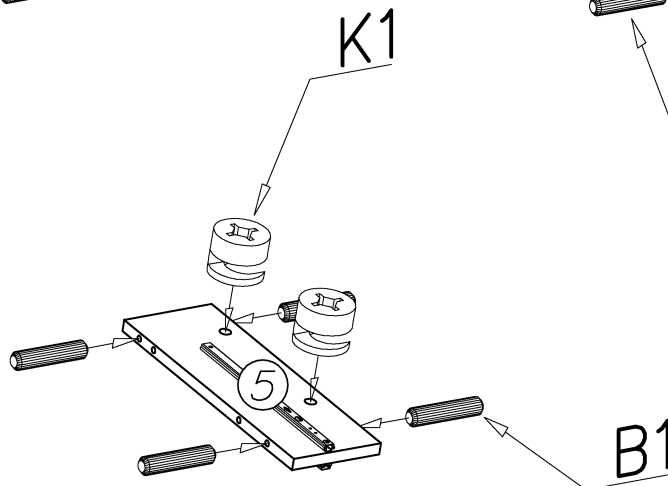
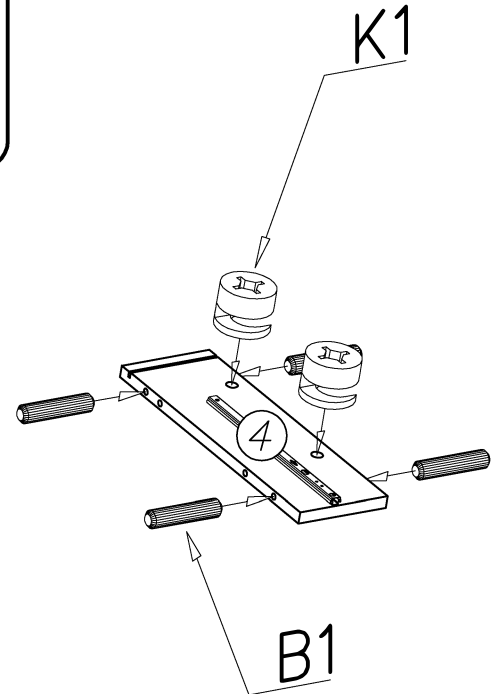
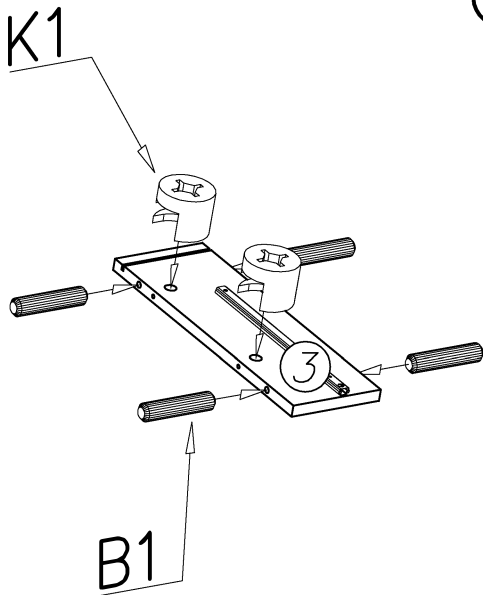
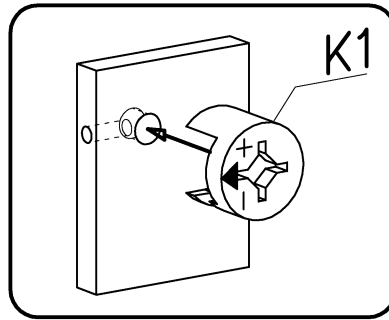
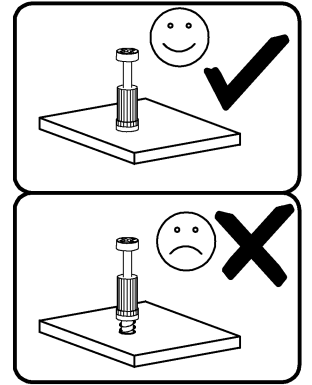
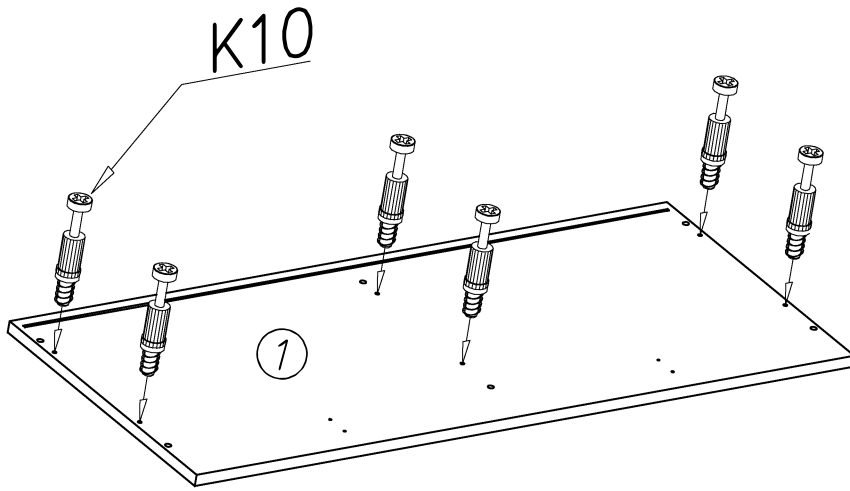
PUSH



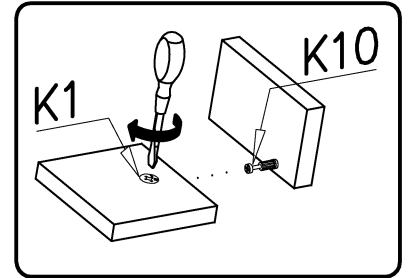
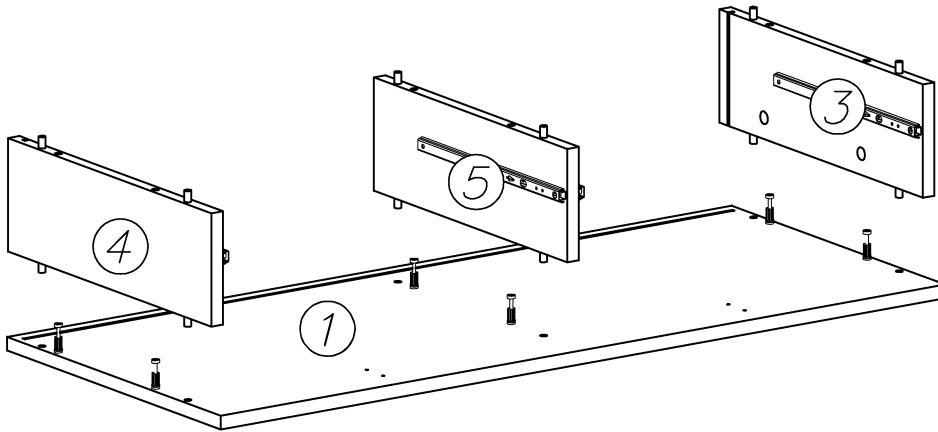
III



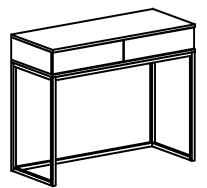
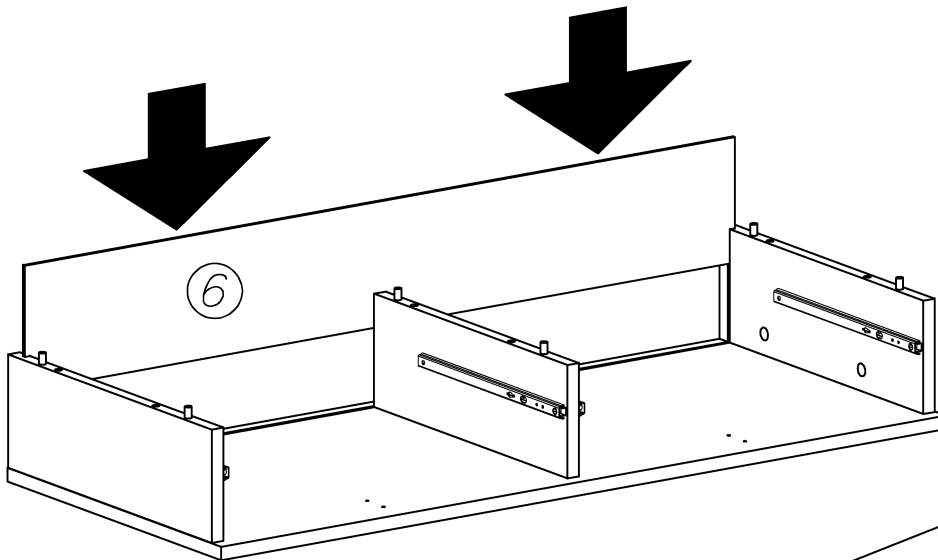
IV



V

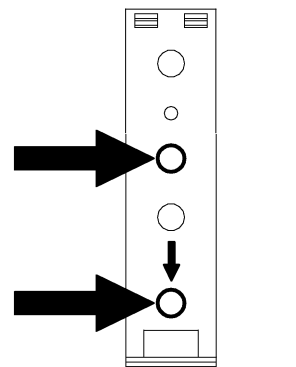
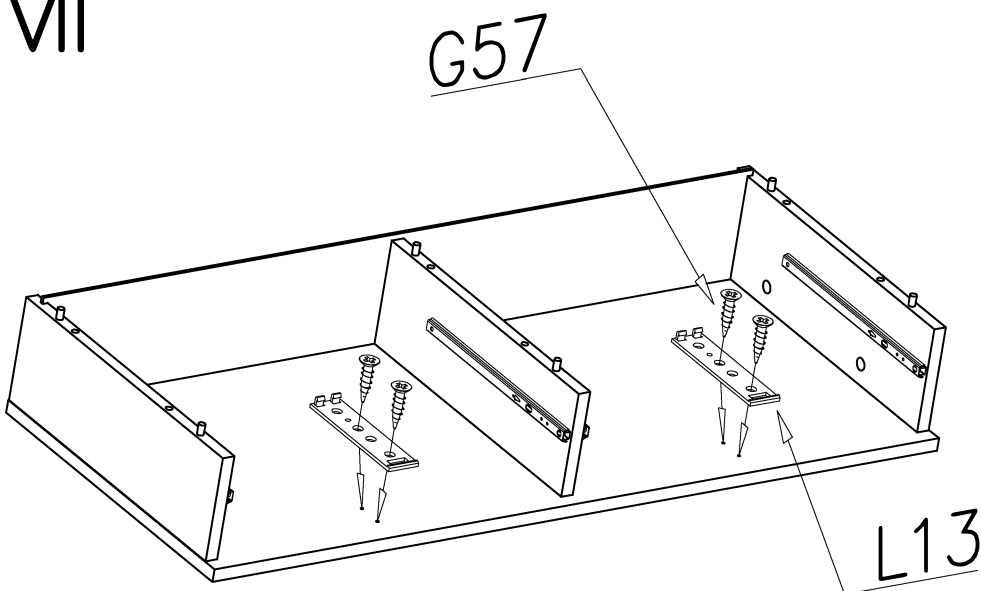


VI



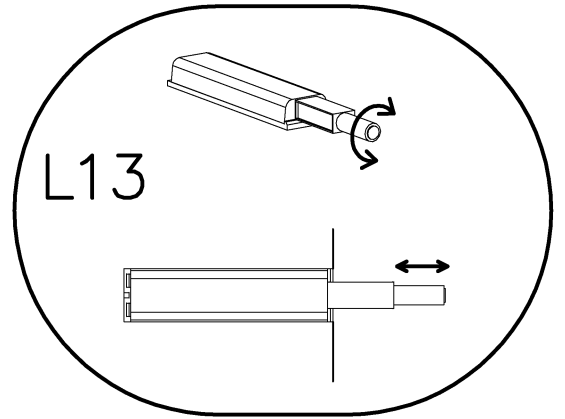
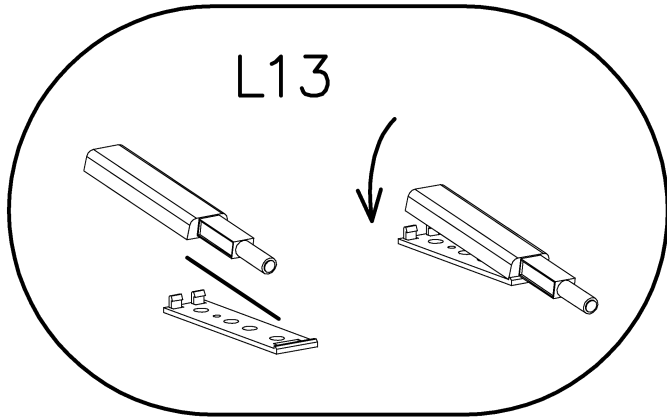
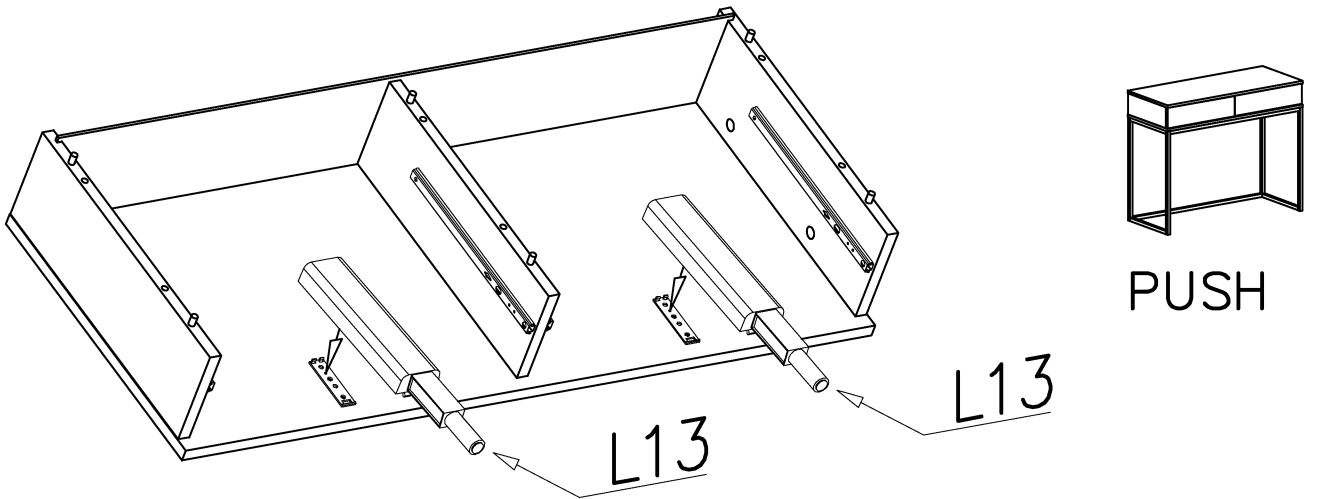
PUSH

VII

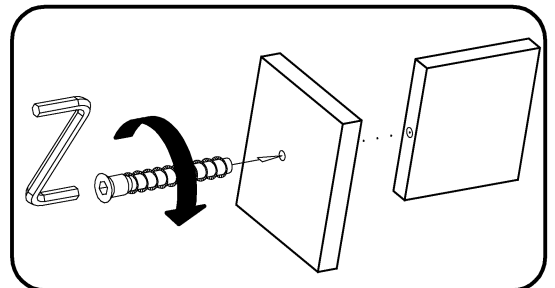
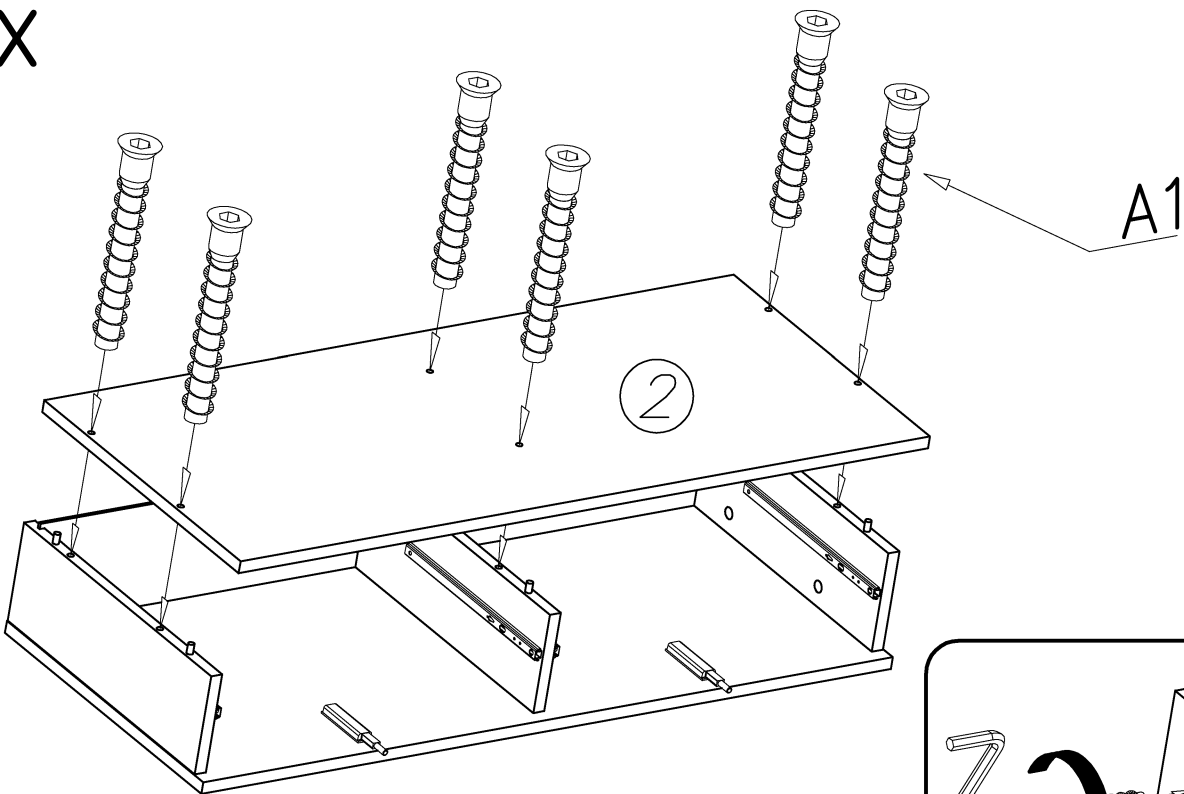


front

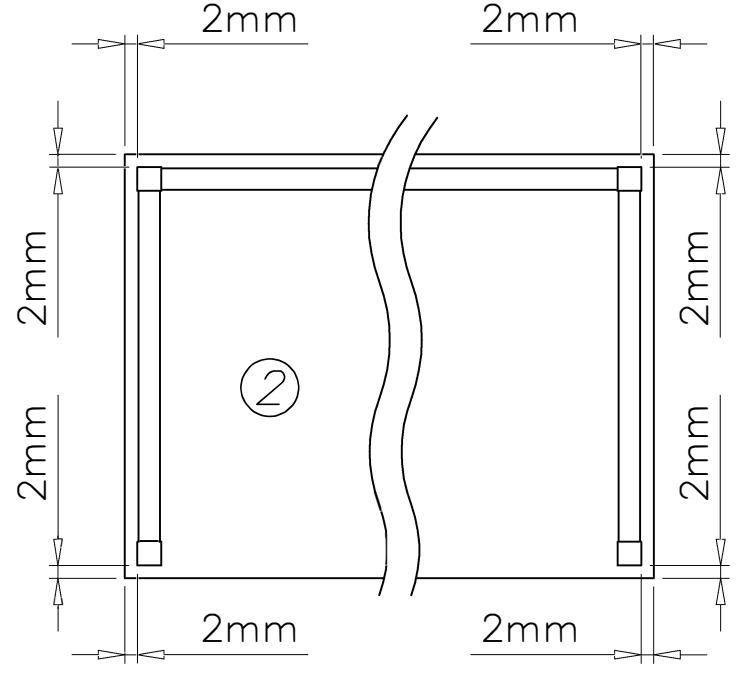
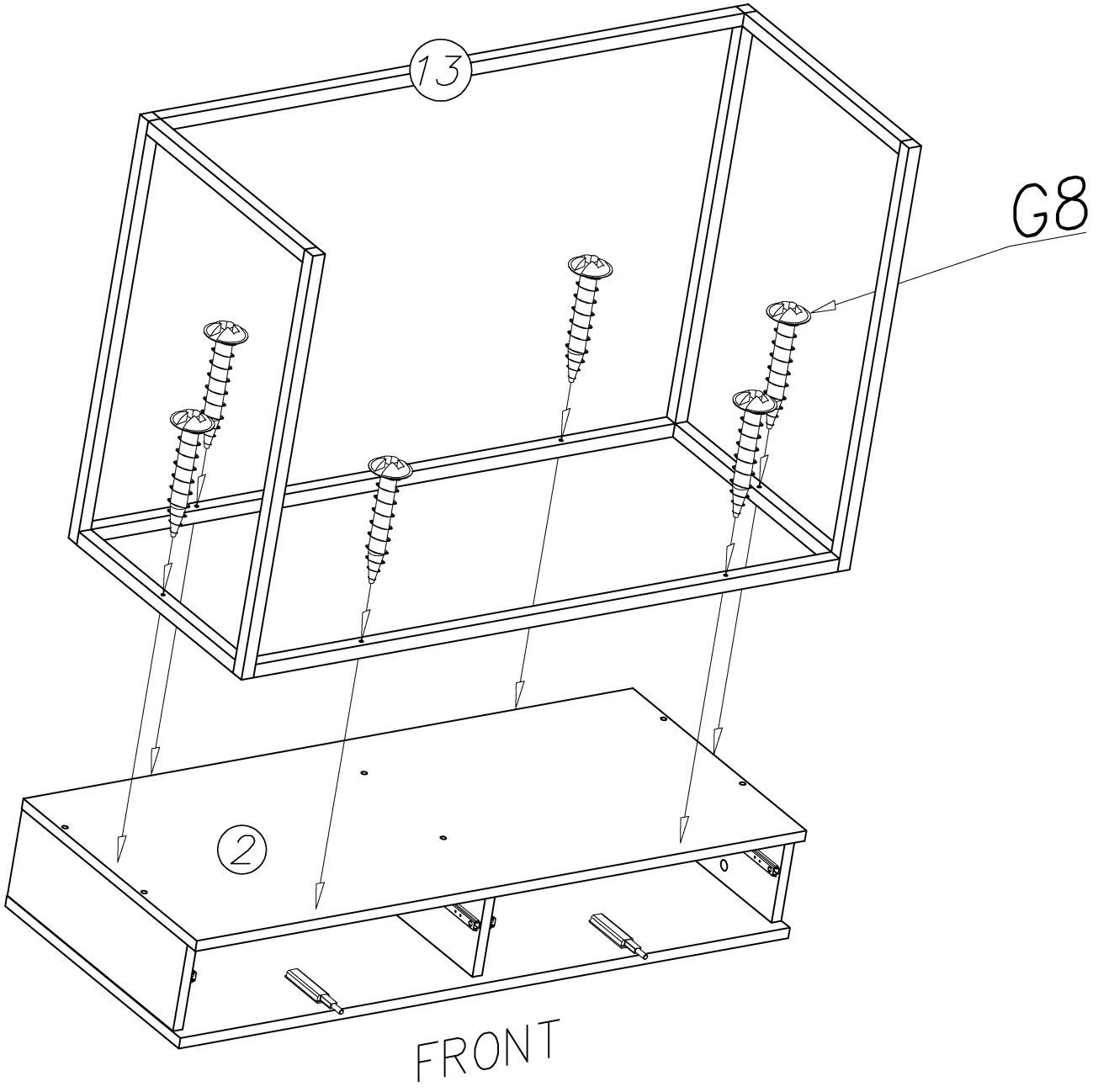
VIII



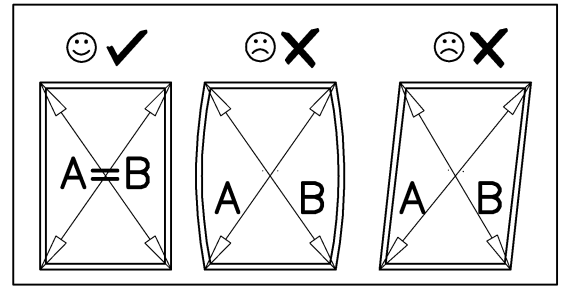
IX



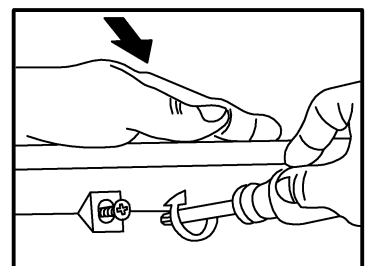
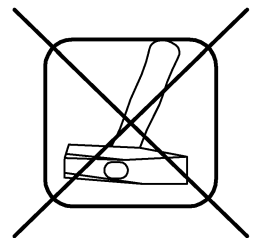
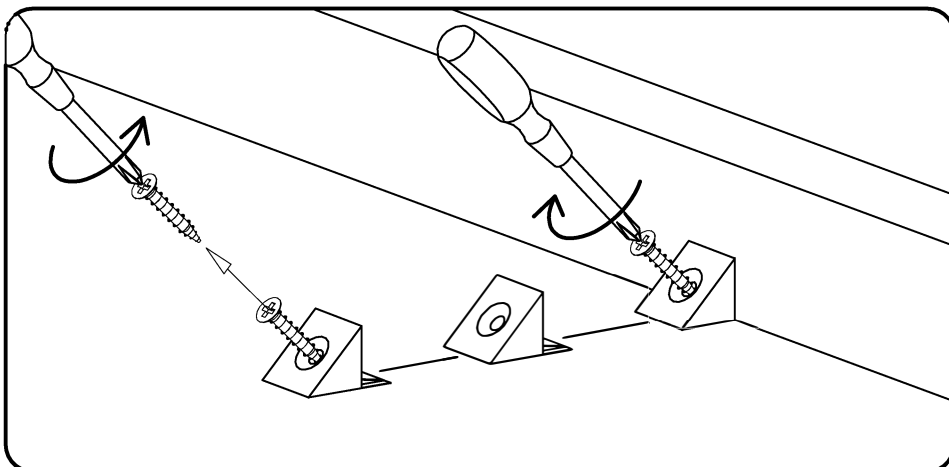
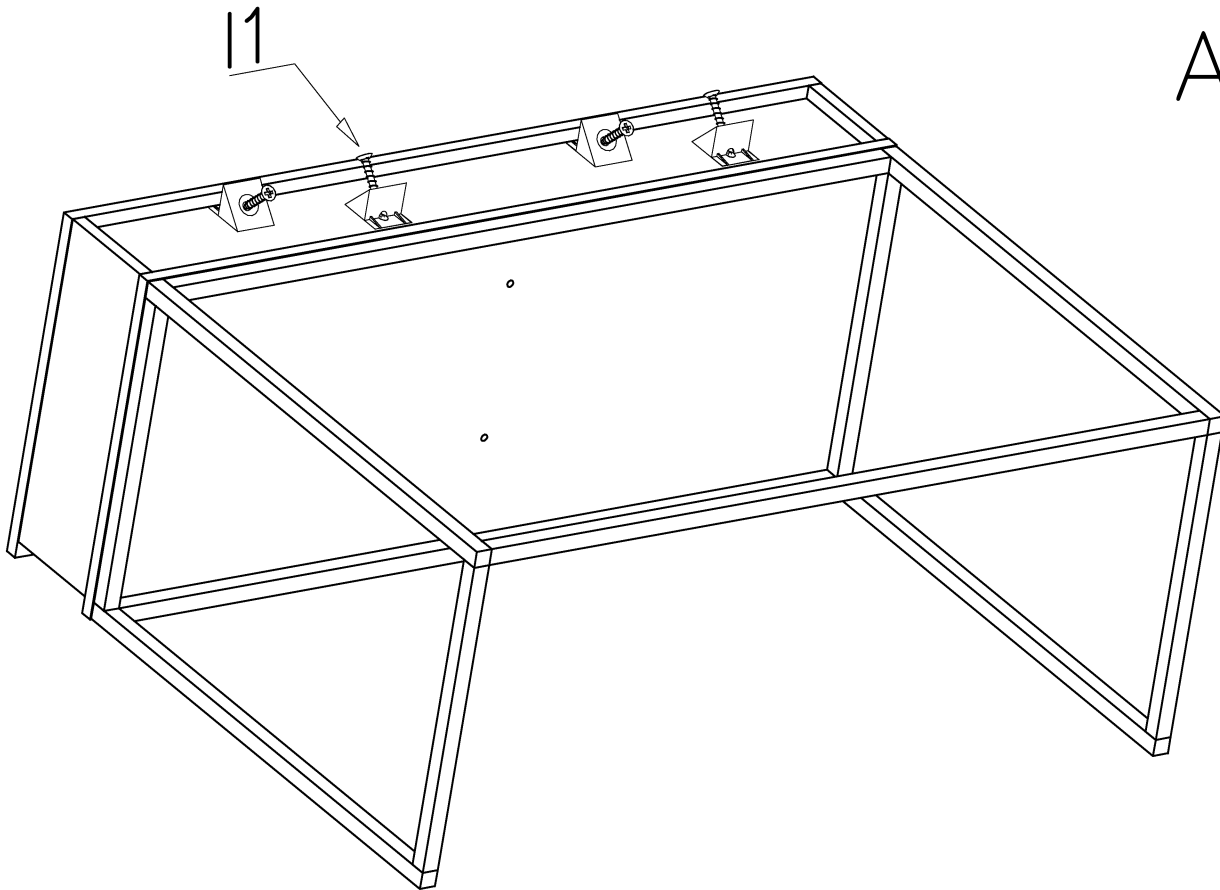
X

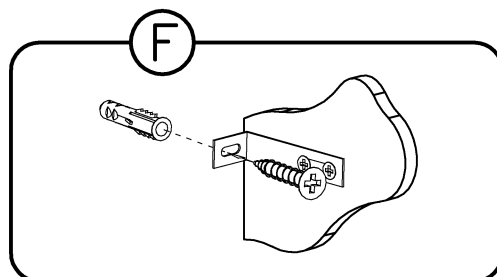
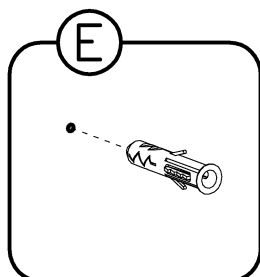
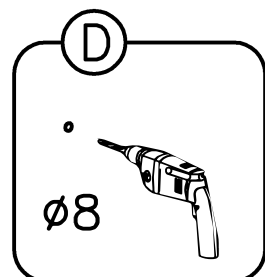
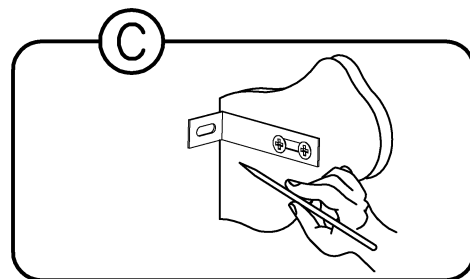
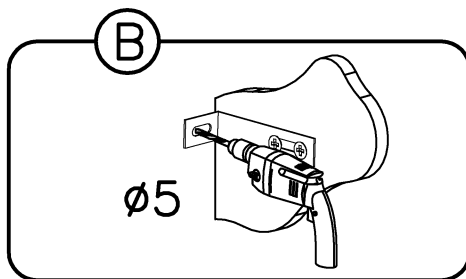
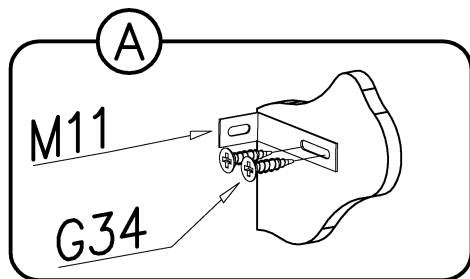


XI

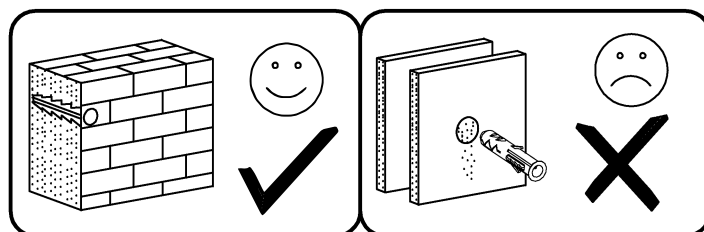
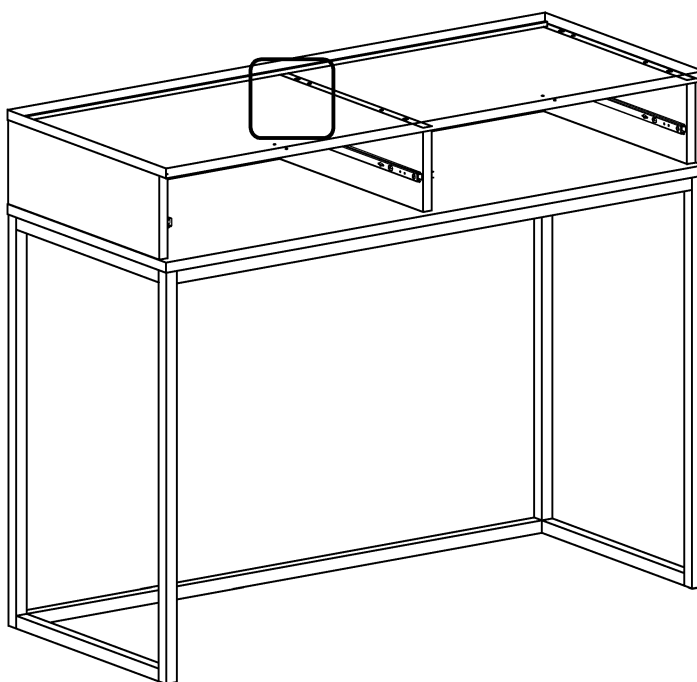


A=B

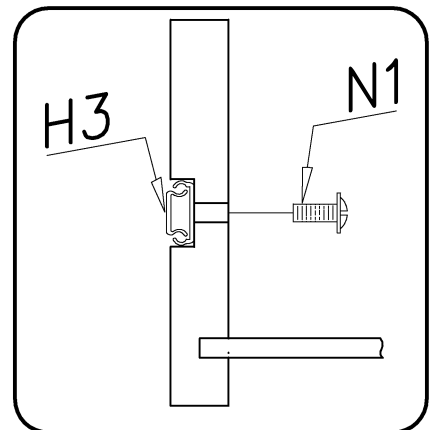
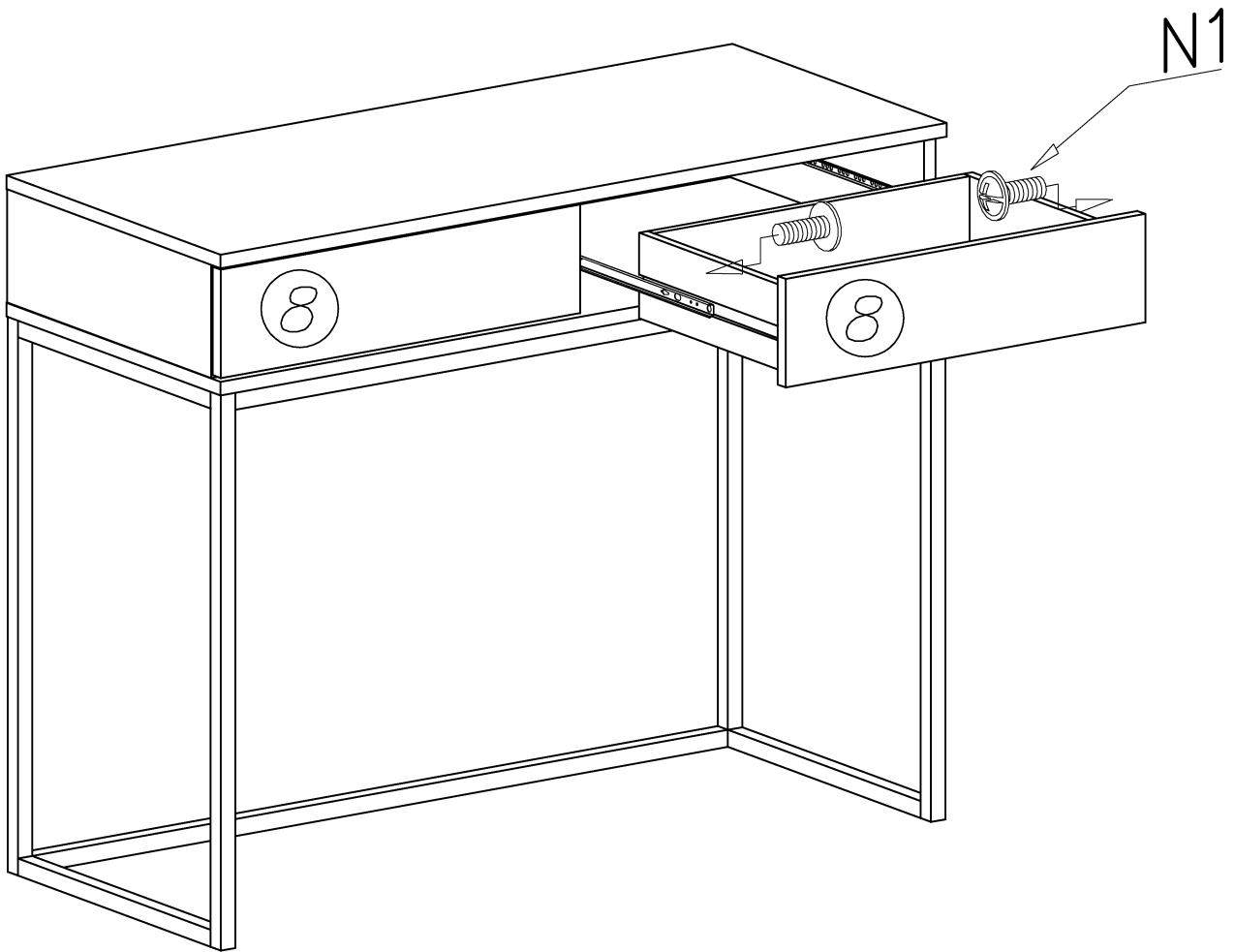


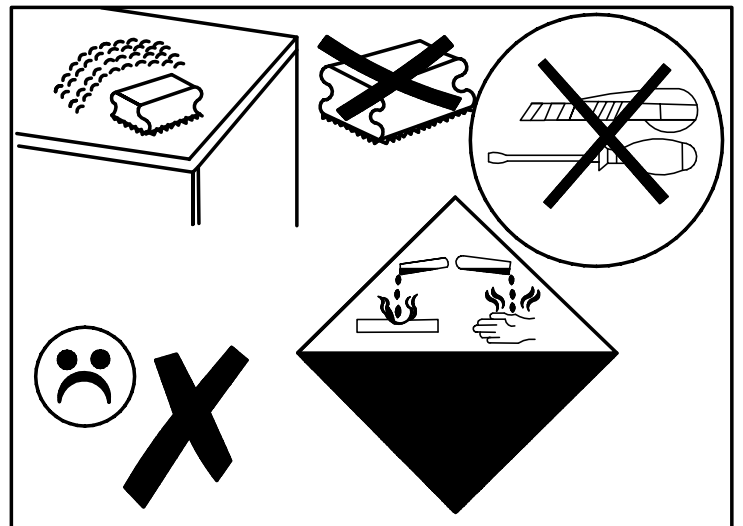
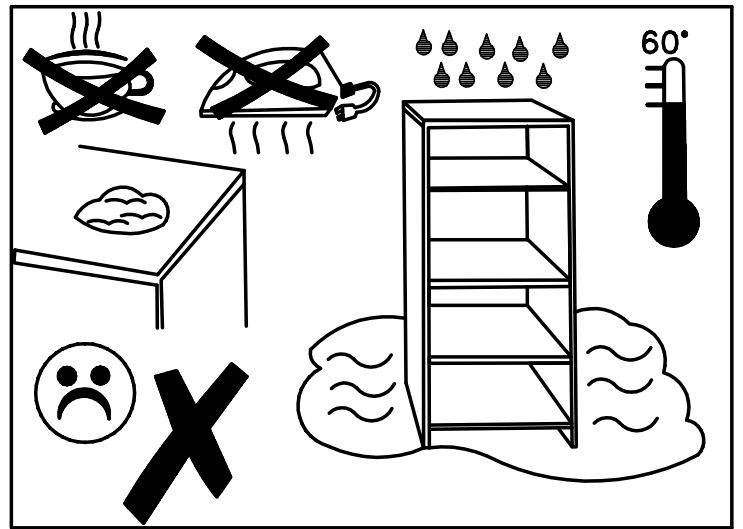
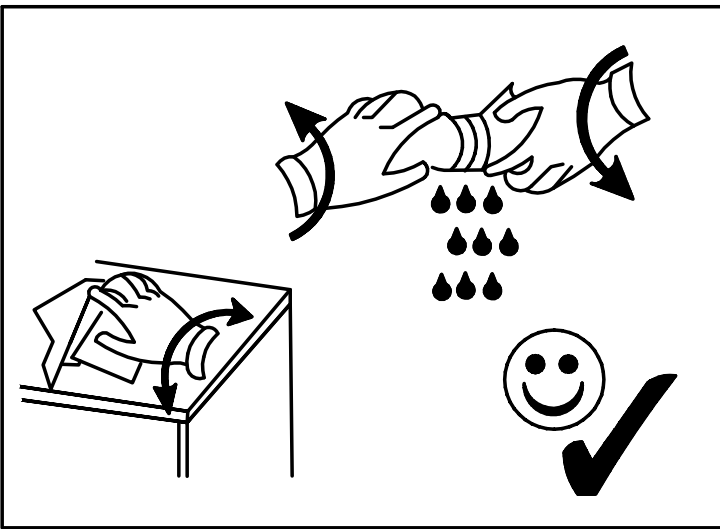
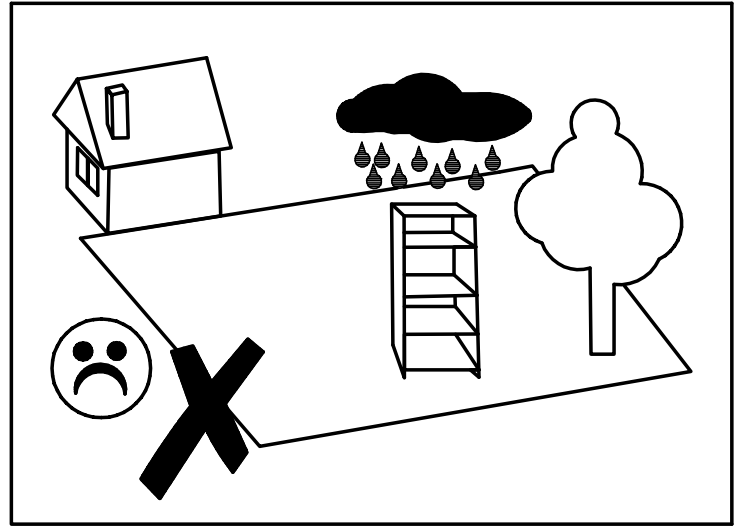
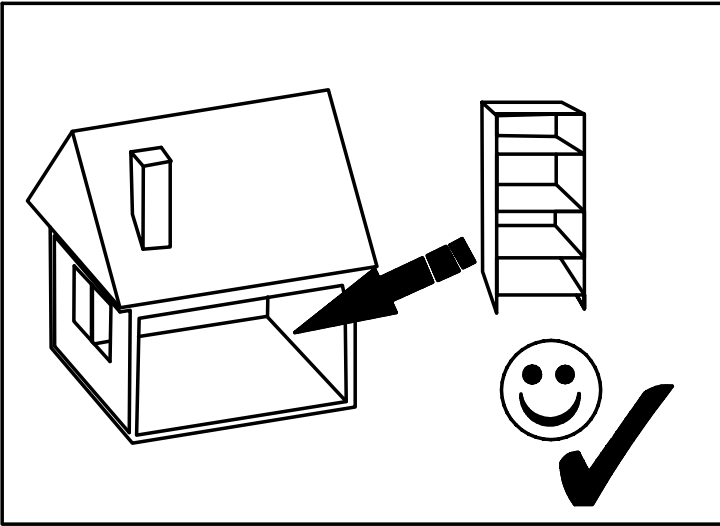


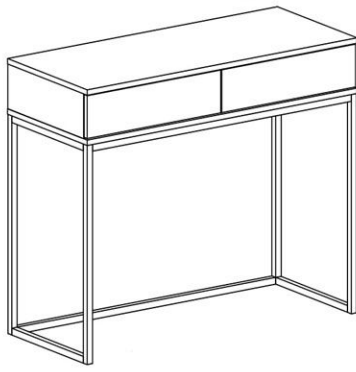
XII



## XIII







1

A



x1

B



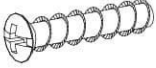
x1

C



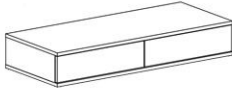
x4

D



x8

E

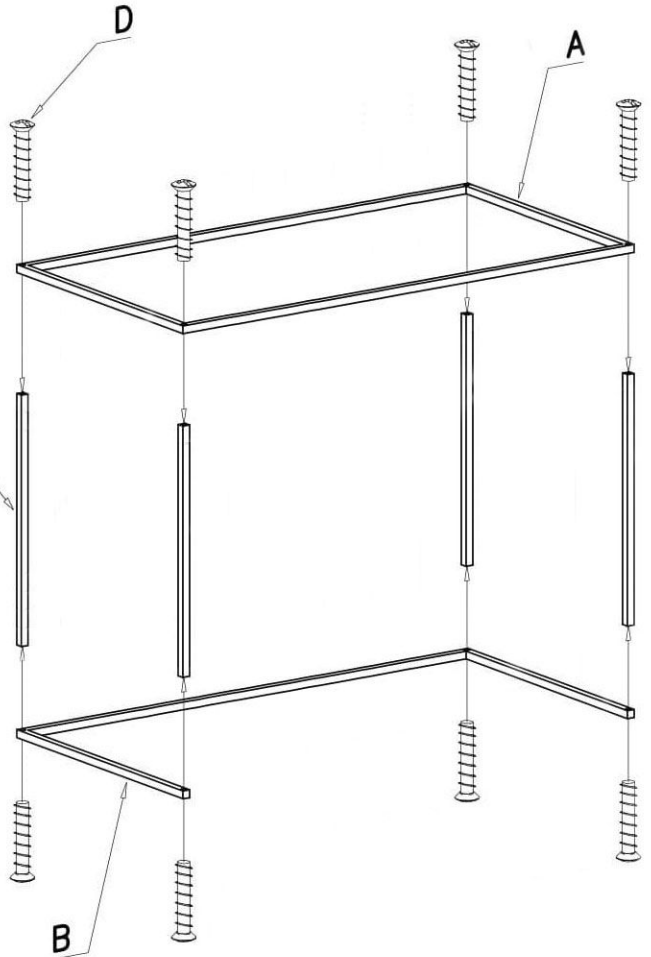
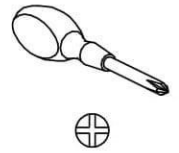


x1

F



x6



2

