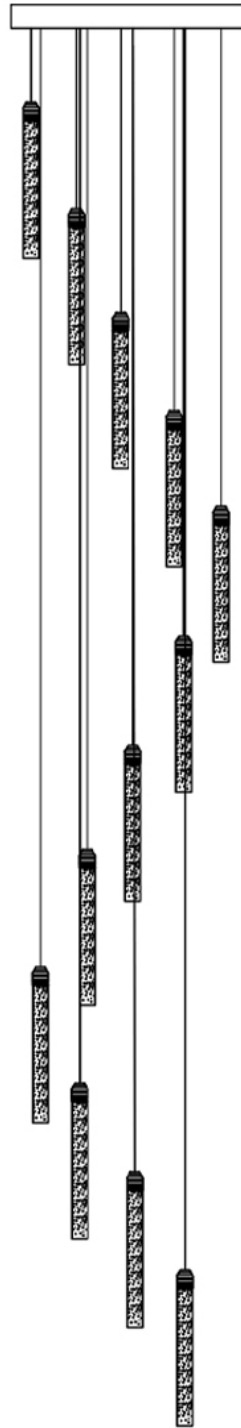


Manual Book



Safety & Warranty

IMPORTANT SAFETY INSTRUCTIONS

INSTALLATION BY A LICENSED ELECTRICIAN IS STRONGLY RECOMMENDED.

1. This fixture has included embedded LED light source.
2. This fixture included the dimmer, dimmable light source and transformer.

Please do not use the light with any dimmer wall switch and dimming system, otherwise it will affect the service life of the chandelier and cause short circuits.



WARNINGS

All wires are connected. When unpacking, be careful not to pull wires, as a bad connection may result. Do not connect electricity until the fixture is fully assembled. To reduce the risk of fire, electrical shock, or personal injury, always turn off fixture and allow it to cool prior to replacing the light. Do not touch or look directly at the light when fixture is illuminated. Keep flammable materials away from lit light.

THIS PRODUCT IS NOT A TOY AND HAS NO PLAY VALUE.

WARNING: STRANGULATION HAZARD

Keep cord at least 3 feet away from cribs, bassinets, and toddler beds. Keep out of reach of children under 3 years of age.

CARE INSTRUCTIONS

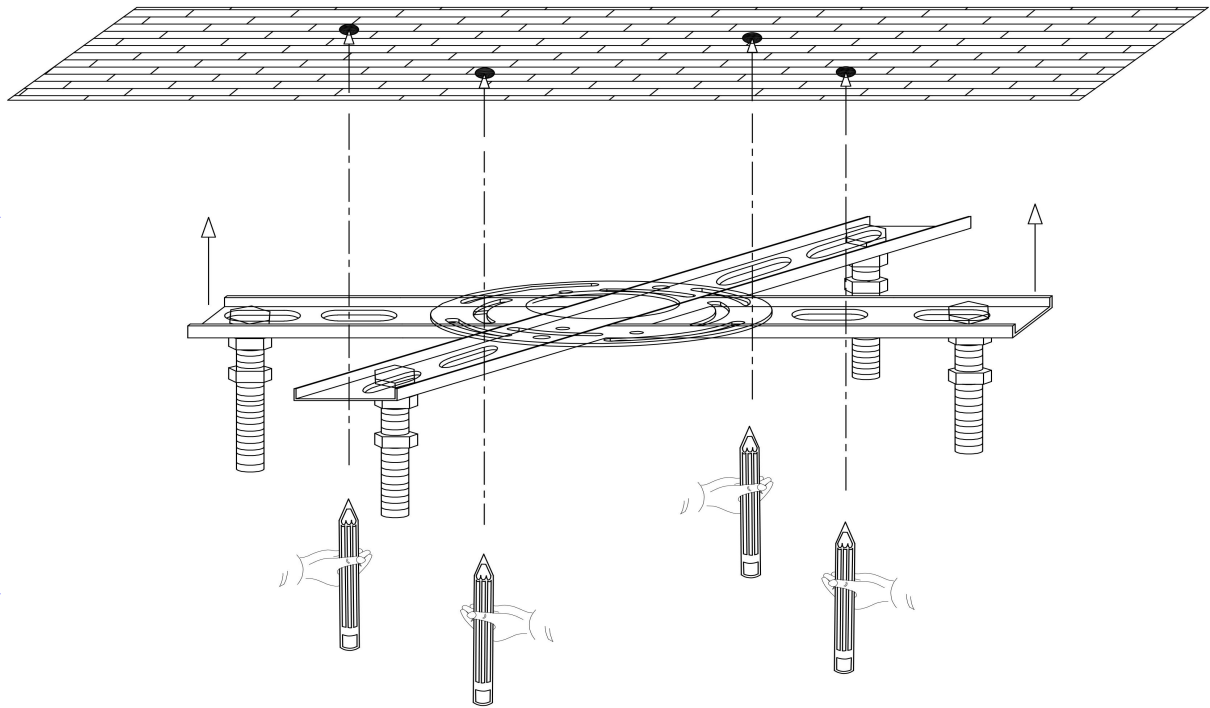
Do not use polishes or cleaners on the fixture. Wipe clean with a soft, dry cloth.

After-sales and Warranty:

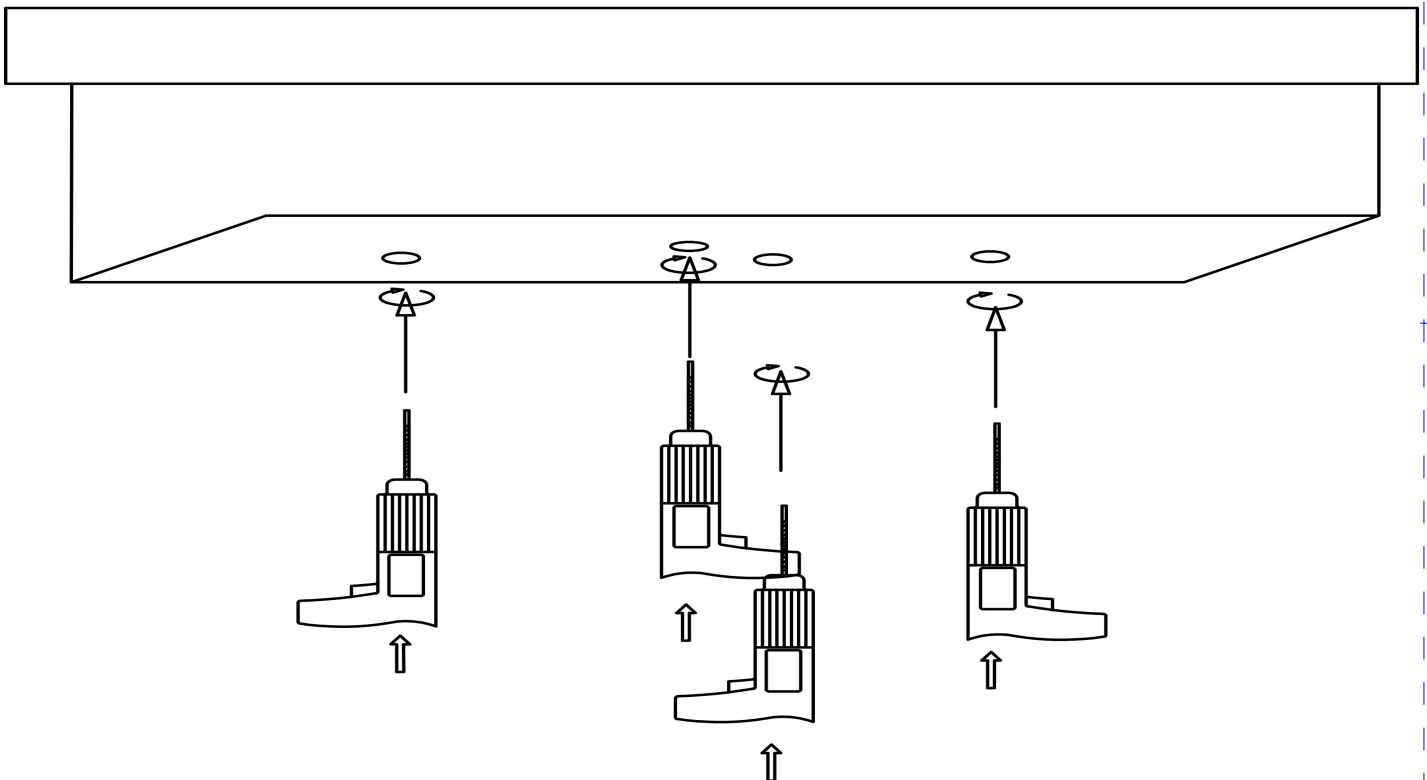
1. we provide online after-sales customer service which reply within 12 hours, any questions please contact us through the order page, we will provide you with satisfactory solutions.
2. Provide 30 days free return and exchange, all accessories can be replaced 1:1, any missing or broken accessories can be provided free of charge.
3. 5 years after-sales guarantee for the whole lamp.

STEP 1&2: Positioning and Drilling

1. Mark the location of the holes to be punched in the ceiling of the installation.



2. Punch holes according to the drawn points

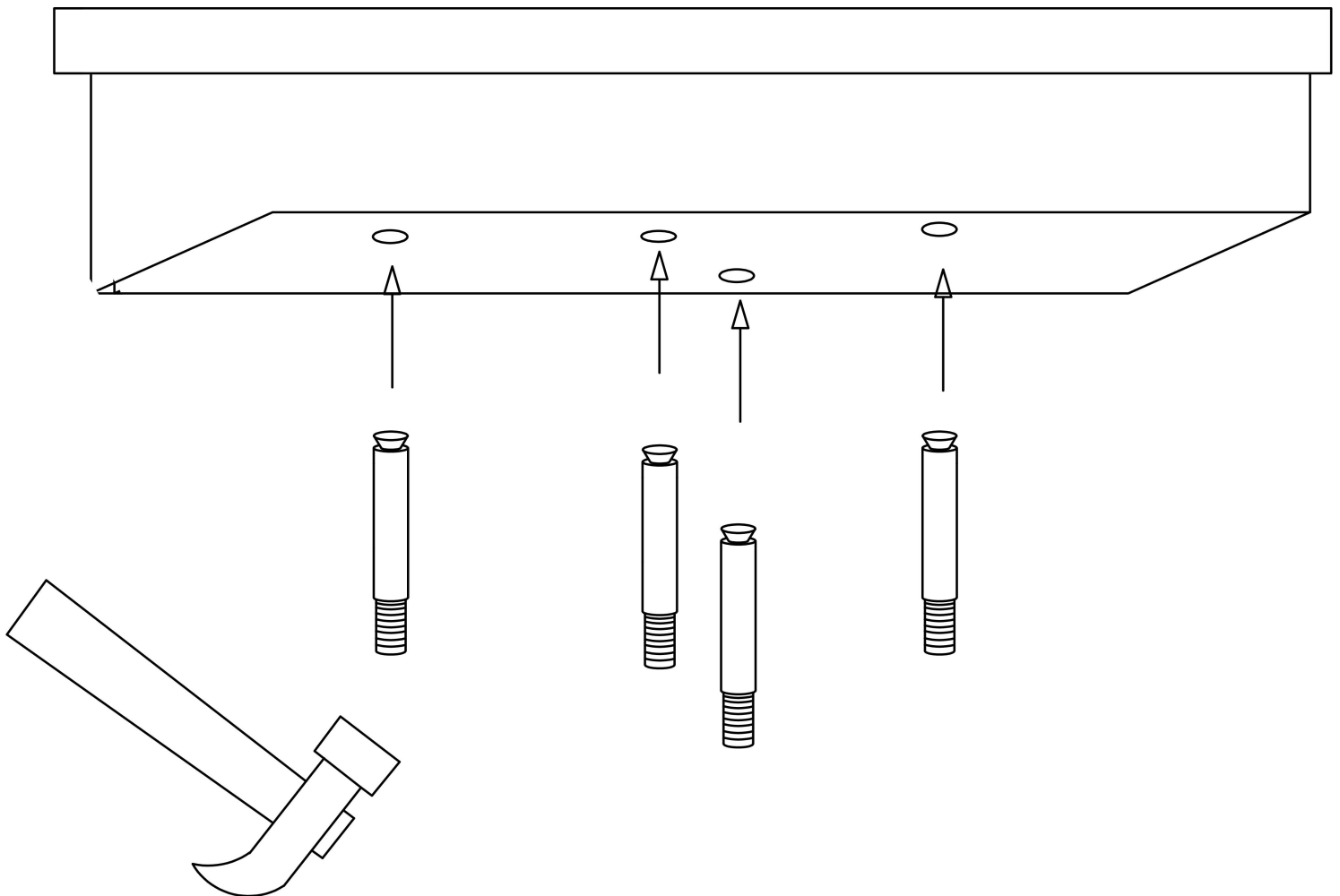


STEP 3: Put in Anchor Screws



Suitable for Concrete Ceilings

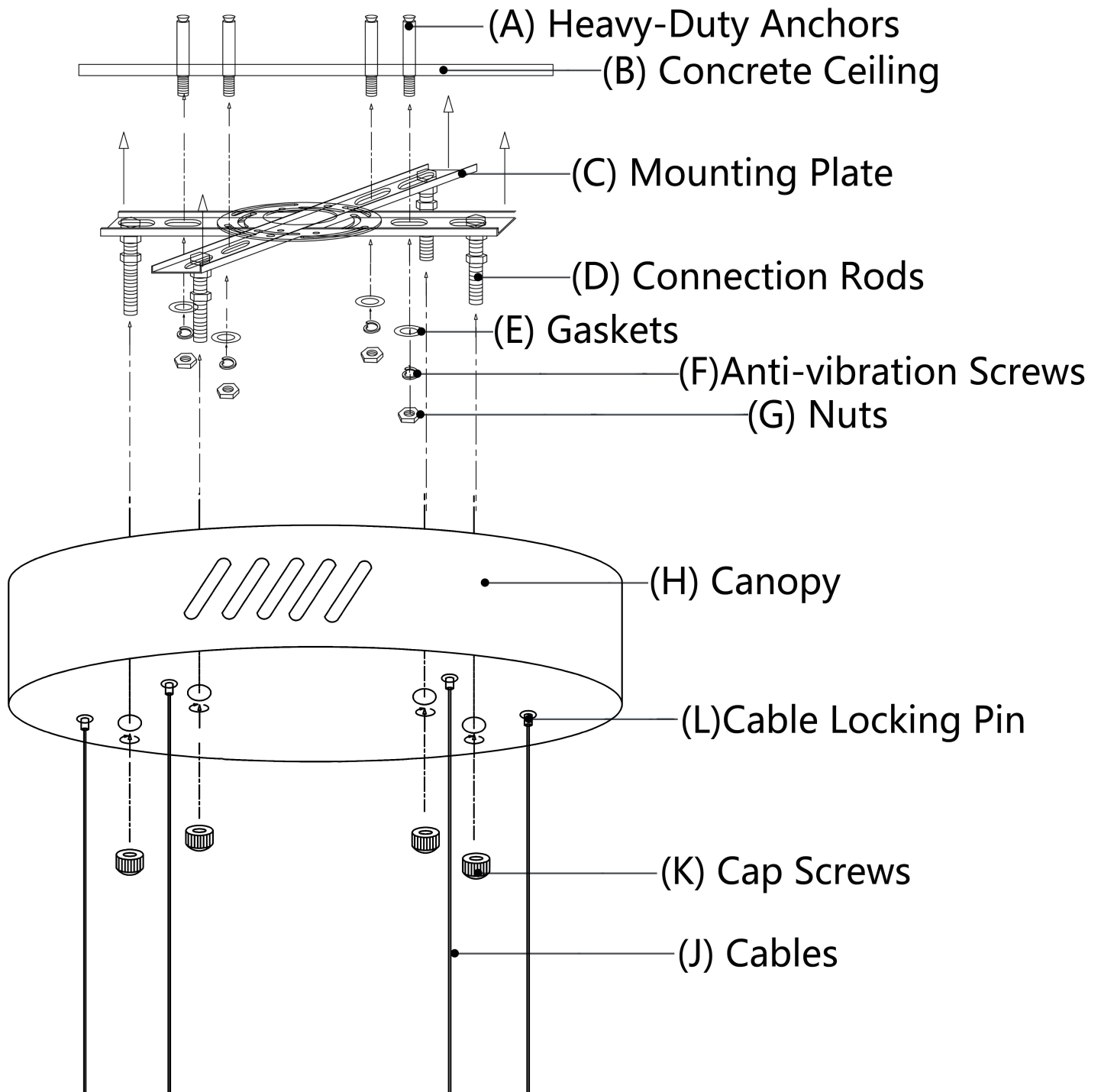
3. Concrete Ceilings:
Put the Heavy-Duty Anchors in the ceiling



STEP 4: Install Ceiling Bracket



Suitable for Concrete Ceilings



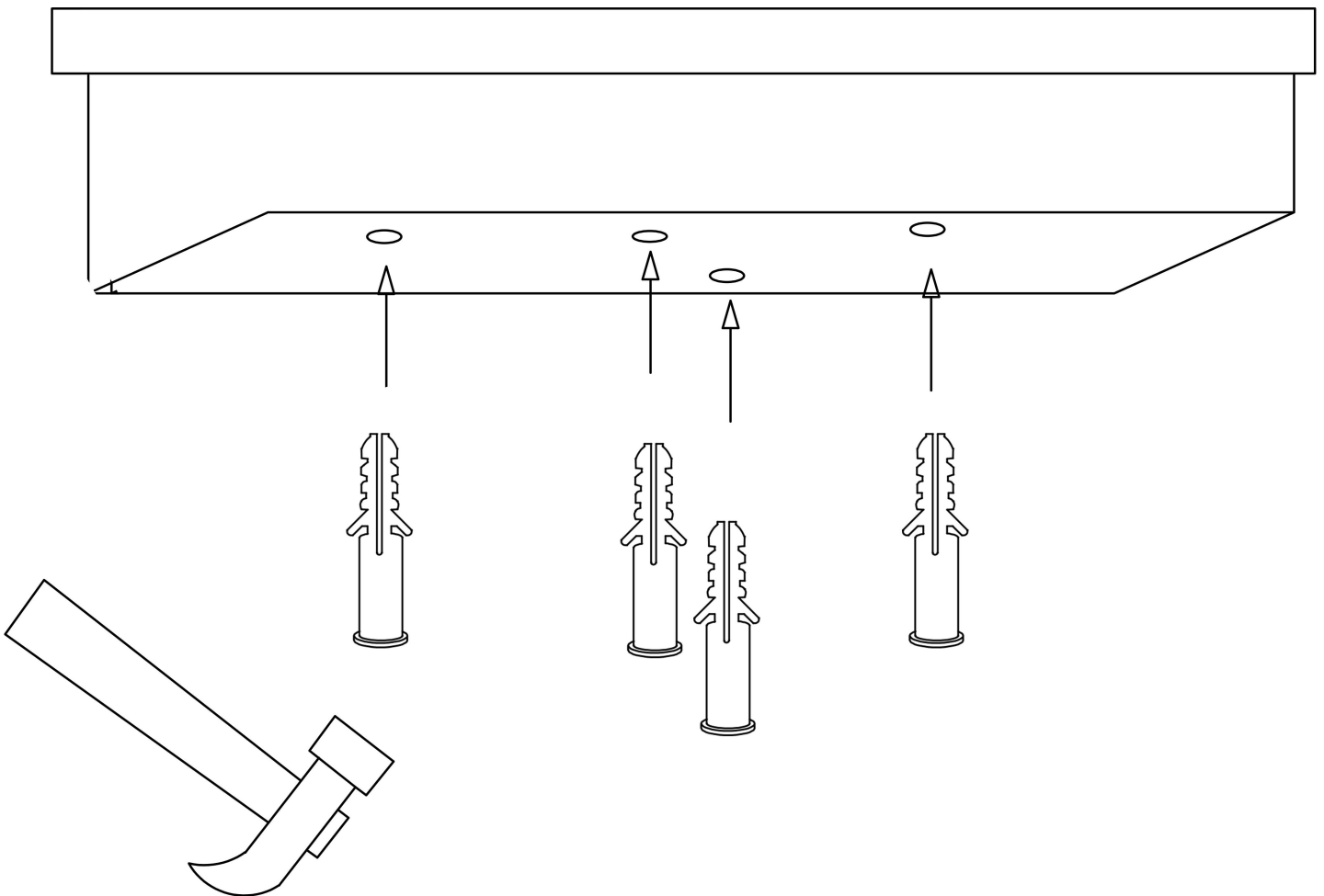
STEP 3: Put in Expansion Tube:



Suitable for Wood Ceilings

3. Wood Ceilings:

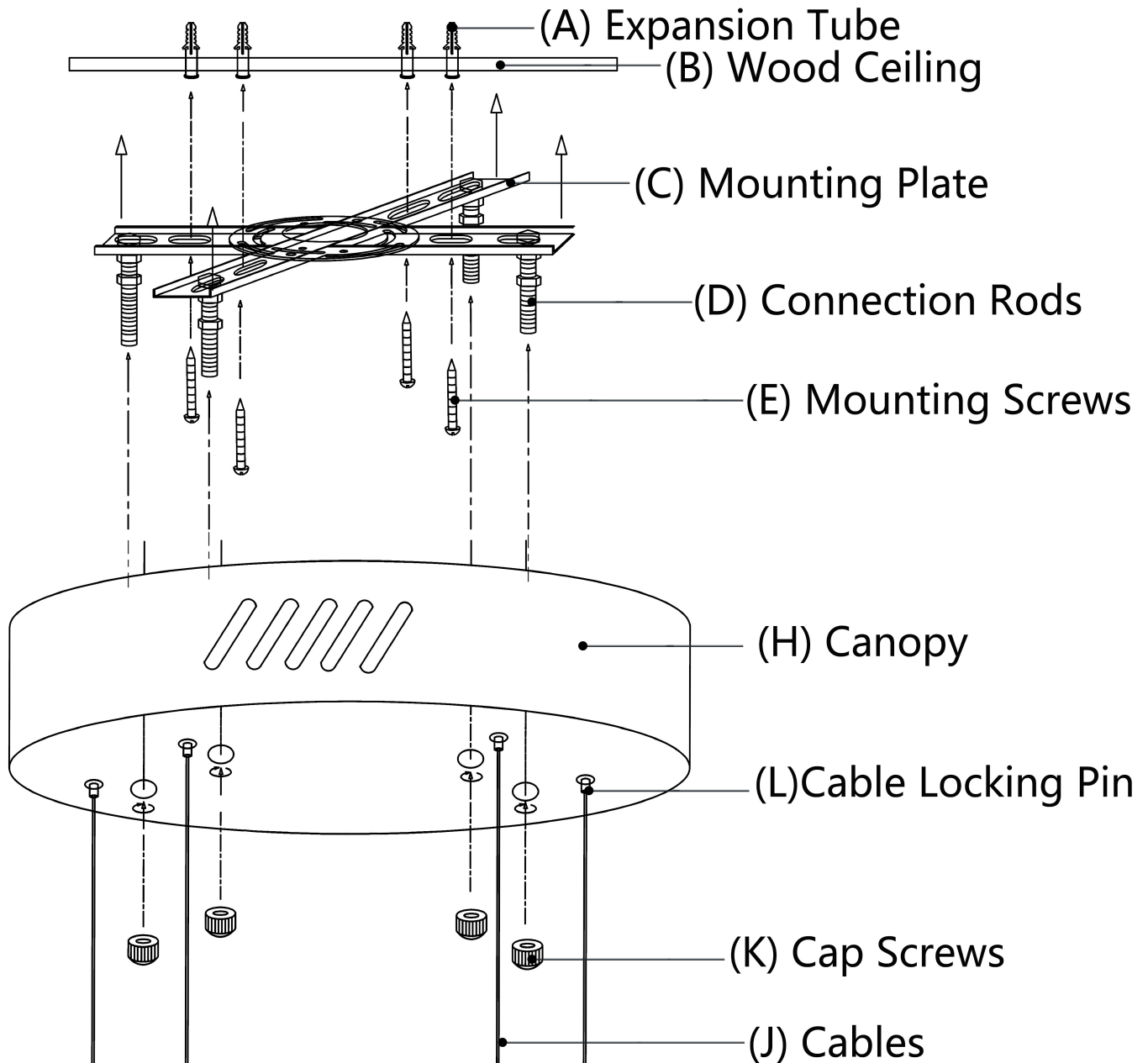
Put the Expansion Tube in the ceiling



STEP 4: Install Ceiling Bracket



Suitable for Wood Ceilings

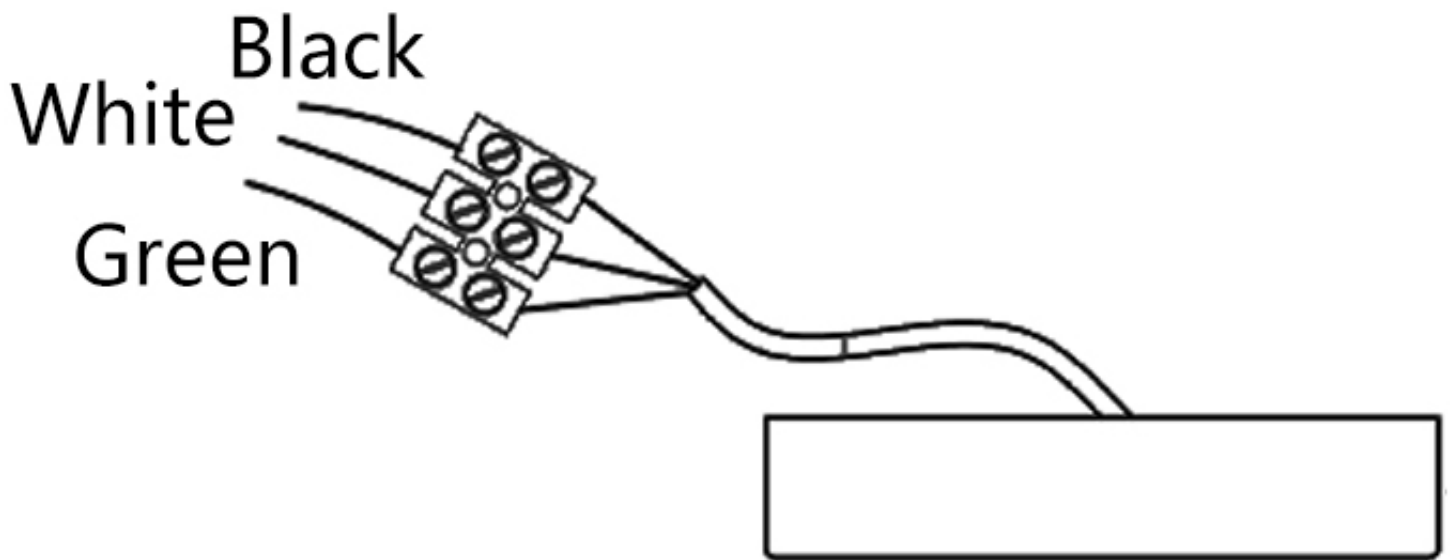


STEP 5: Connect the wires

Black wire : Fire Wire

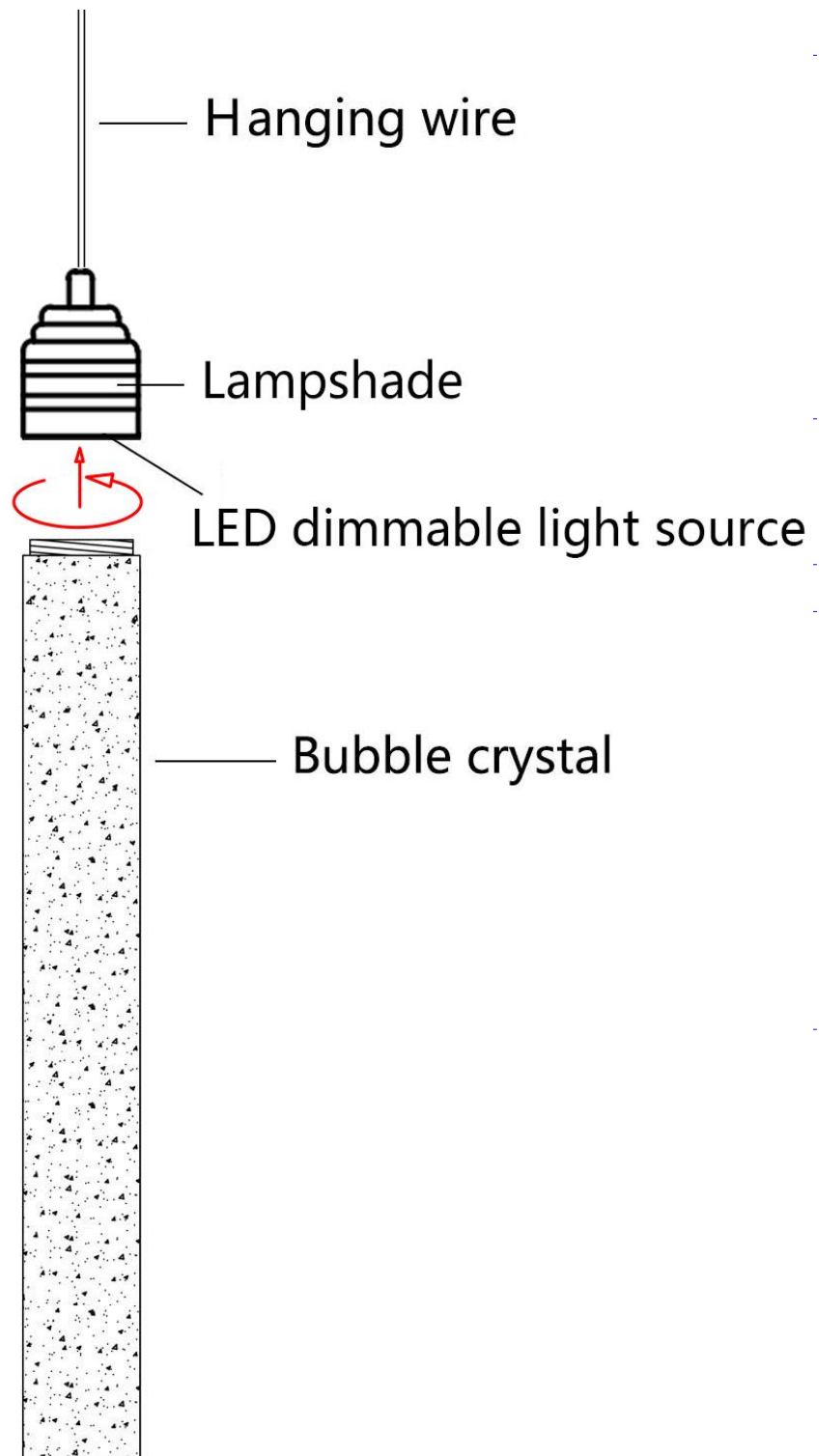
White wire: Zero Wire

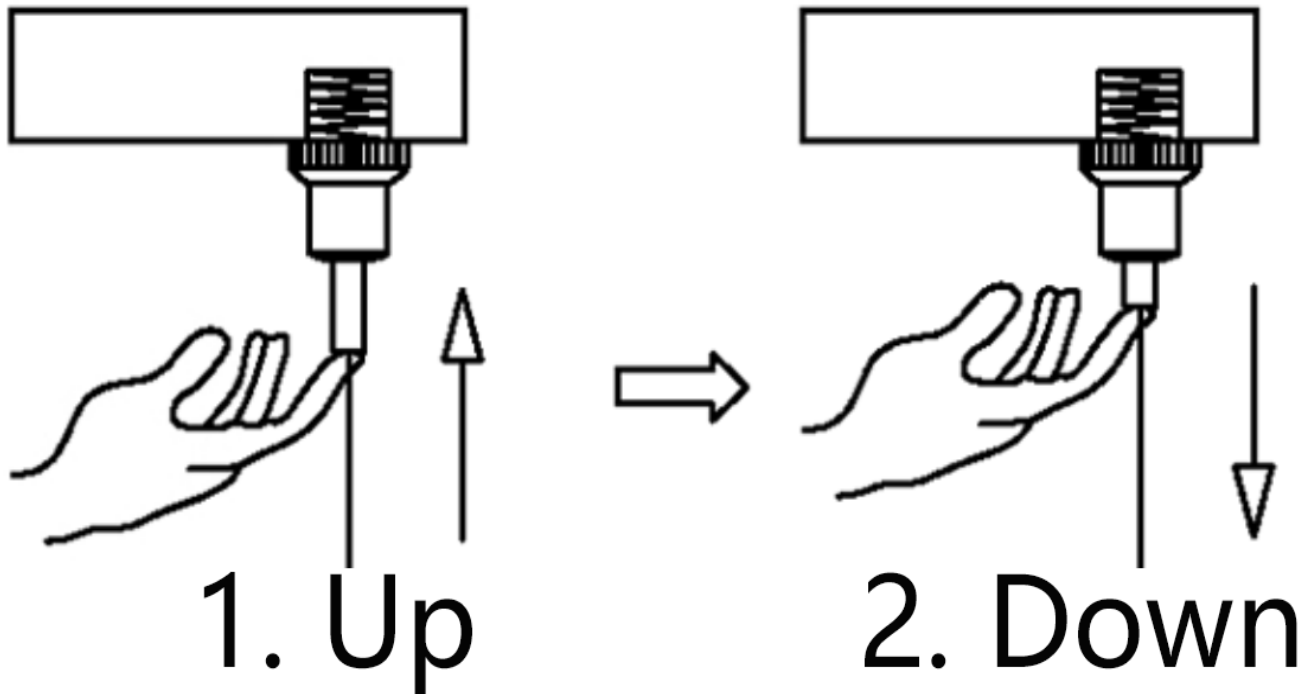
Green wire: Ground Wire



STEP 6: Put in Crystals

Screw the crystal into the Lampshade.





1. Shorten the hanging wire without pressing the pin, and push the hanging wire upward directly.
2. Lengthen the hanging wire, need press the pin, then pull out the hanging wire downward

