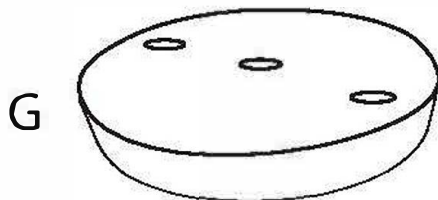
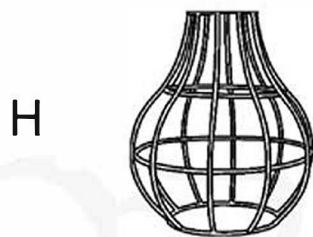


Vintage Metal Pendant Lamp Assembling Instruction










1X Ceiling Rose



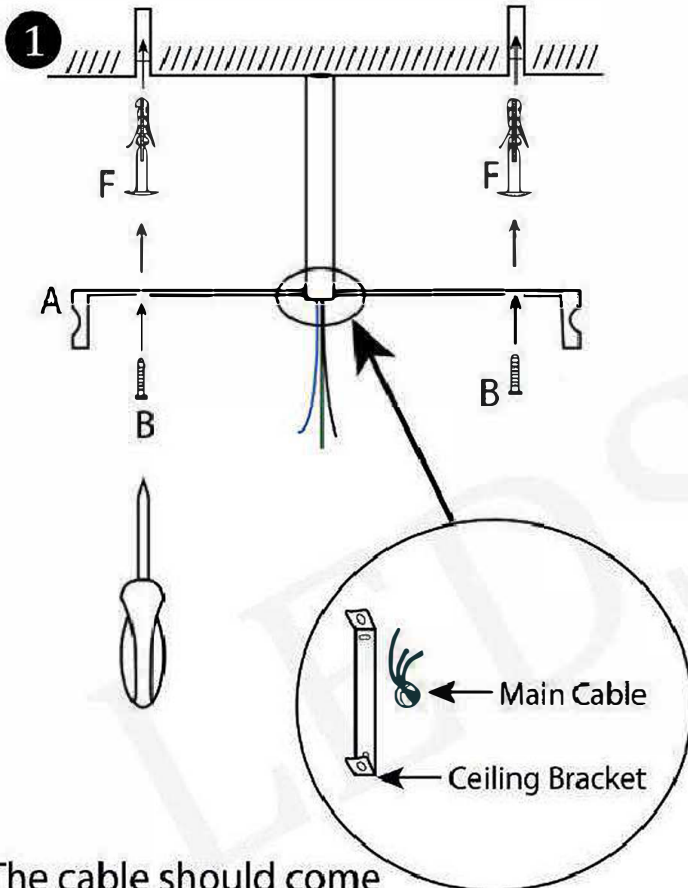
3 X Lamp Shade



3 X Holder With Cable

A		1
B		2
C1		3
C2		3
D		2
E		1
F		2

Vintage Metal Pendant Lamp Assembling Instruction



The cable should come next to the bracket

