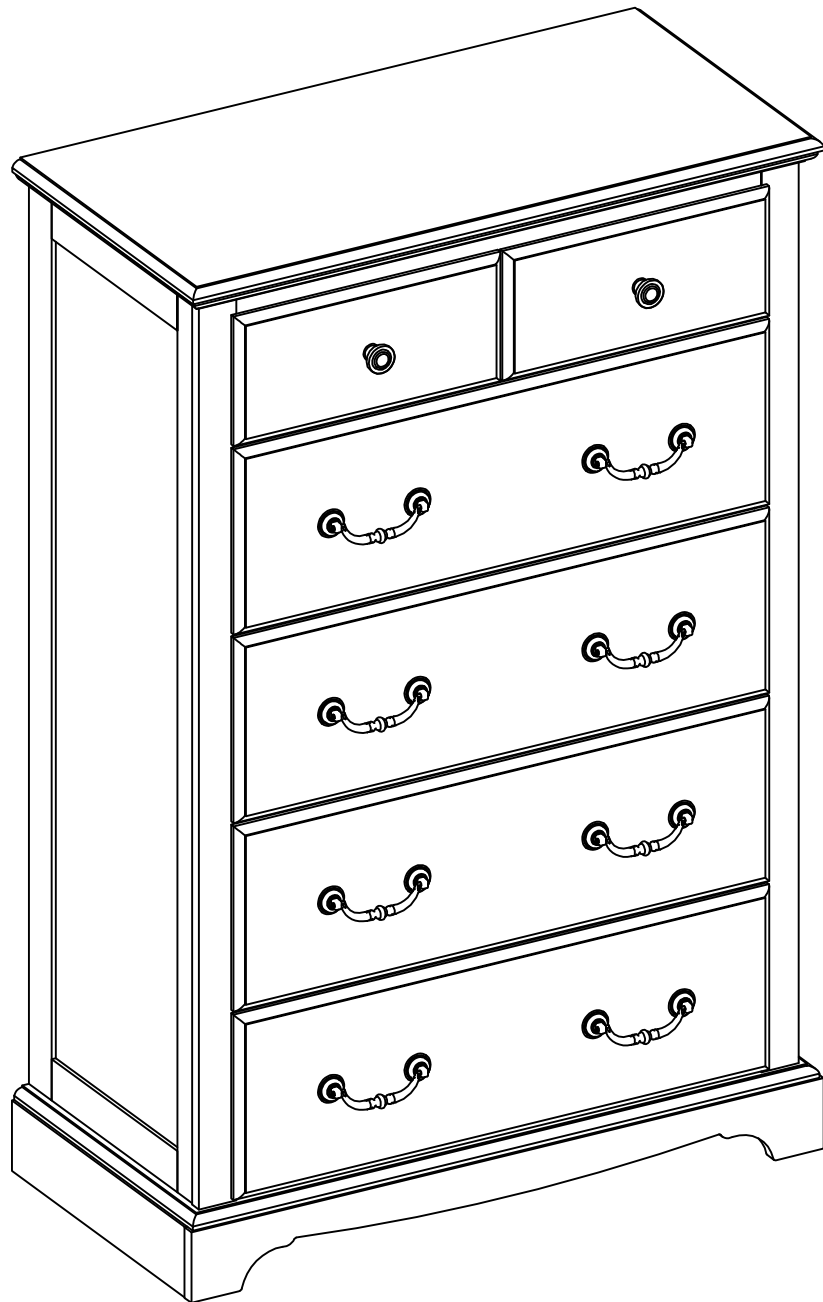
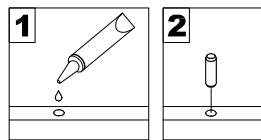


Assembly Instructions

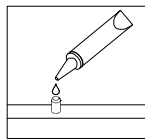


General Assembly Guidelines

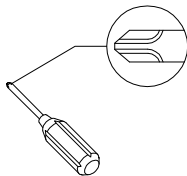
- I. Ensure that all parts and hardware are available before beginning assembly.
- II. Follow each step carefully to ensure the proper assembly of this product.
- III. Two people are recommended for ease in the assembly of this product.
- IV. The three main types of hardware used to assemble this product are : wood dowels , screws and bolts.
- V. The provided glue is to secure wood dowels in place . When first inserting dowels , locate the appropriate hole for the dowel , place a small amount of glue in the hole and insert the dowel . Wipe away excess glue immediately.



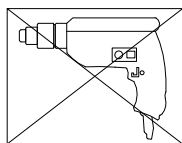
In future assembly steps when dowels are necessary to attach assembly parts together , place a small amount of glue on the end of the dowel before attaching parts together . Wipe away excess glue immediately.



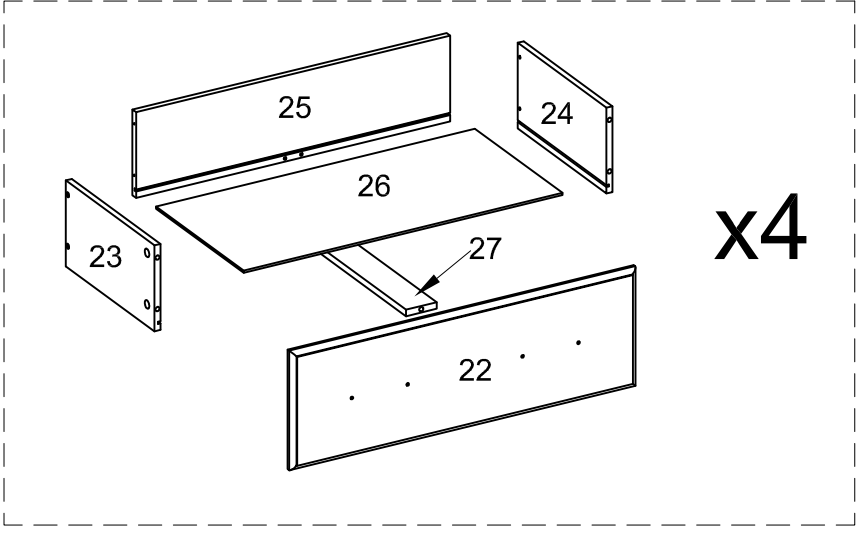
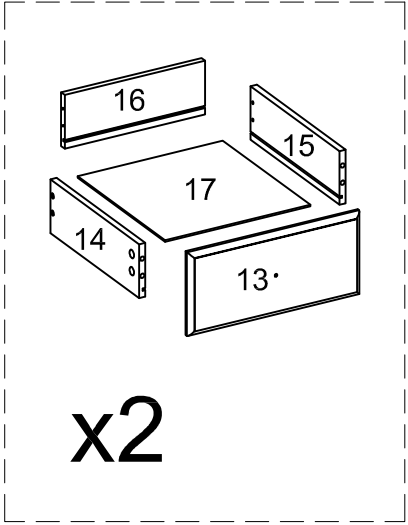
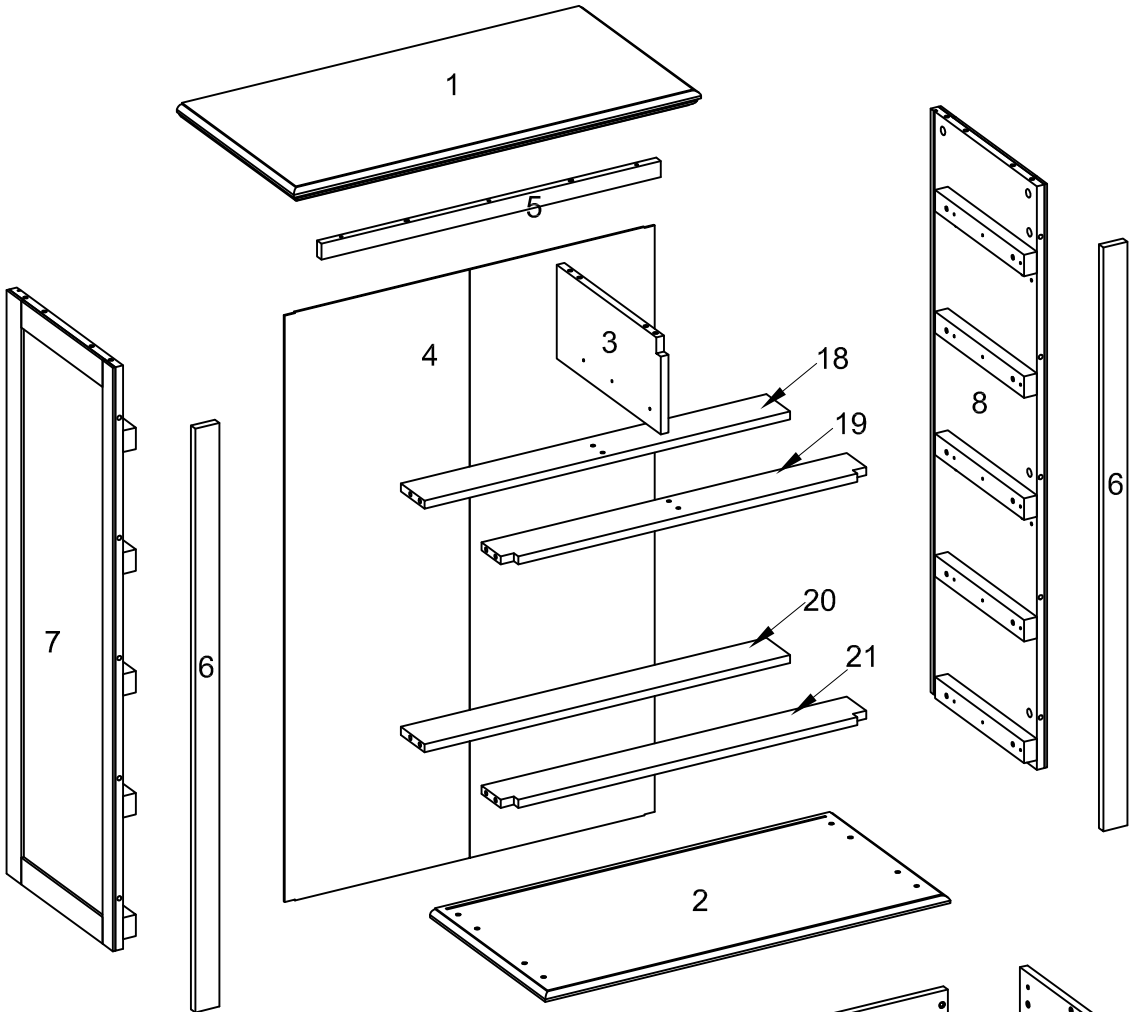
- VI. A Phillips head screwdriver is required for the assembly of this product .







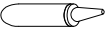
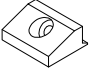
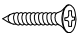





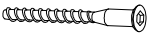


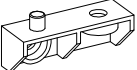
- VII. Power tools should not be used to assemble this product .

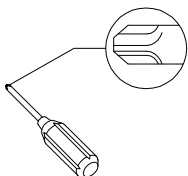


Parts List



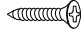


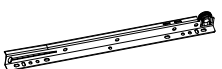
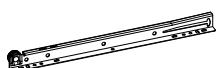
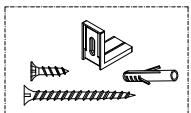
Hardware List

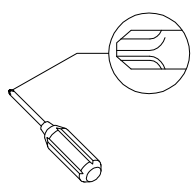
A		Ø8x30mm	Wooden dowel	26 pcs
B		Ø6x35mm	Cam bolt	48 pcs
C		Ø15x11mm	Cam lock	20 pcs
D		Ø30mm	Sticker	48 pcs
E			Glue tube	1 pc
F			Plastic wedge	12 pcs
G		Ø3x17mm	Flat-head screw	12 pcs
H		Ø4x22mm	Handle bolt	18 pcs
J			Handle	2 pcs
K			Handle	8 pcs
L		Ø15x9.5mm	Cam lock	28 pcs
M		Ø4x32mm	Screw	35 pcs
N		Ø6x50mm	Screw	6 pcs
P		M 4	Hex key	1 pc
Q		Ø6x12mm	Bolt	20 pcs
R			Connector	10 pcs



Philips head screwdriver required for assembly
(not included)

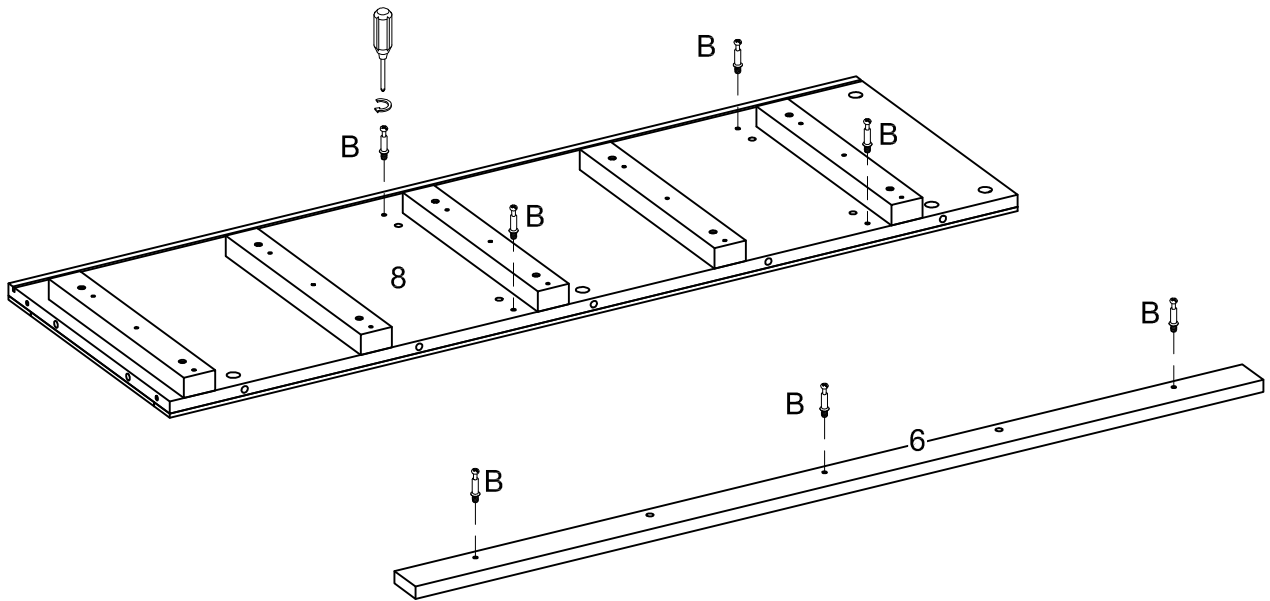
Hardware List

S		Ø3.5x12mm	Screw	72 pcs
T		12"	Left cabinet member	6 pcs
U		12"	Right cabinet member	6 pcs
V		12"	Left drawer runner	6 pcs
W		12"	Right drawer runner	6 pcs
X			Tipping Restraint Hardware	1 set

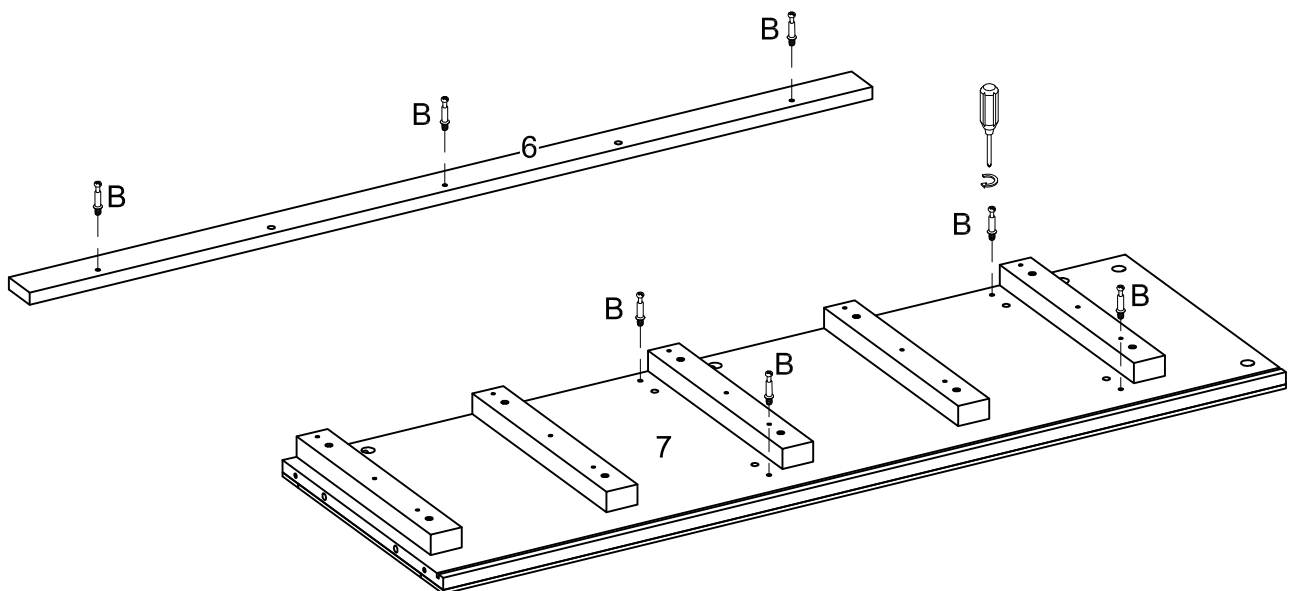


Philips head screwdriver required for assembly
(not included)

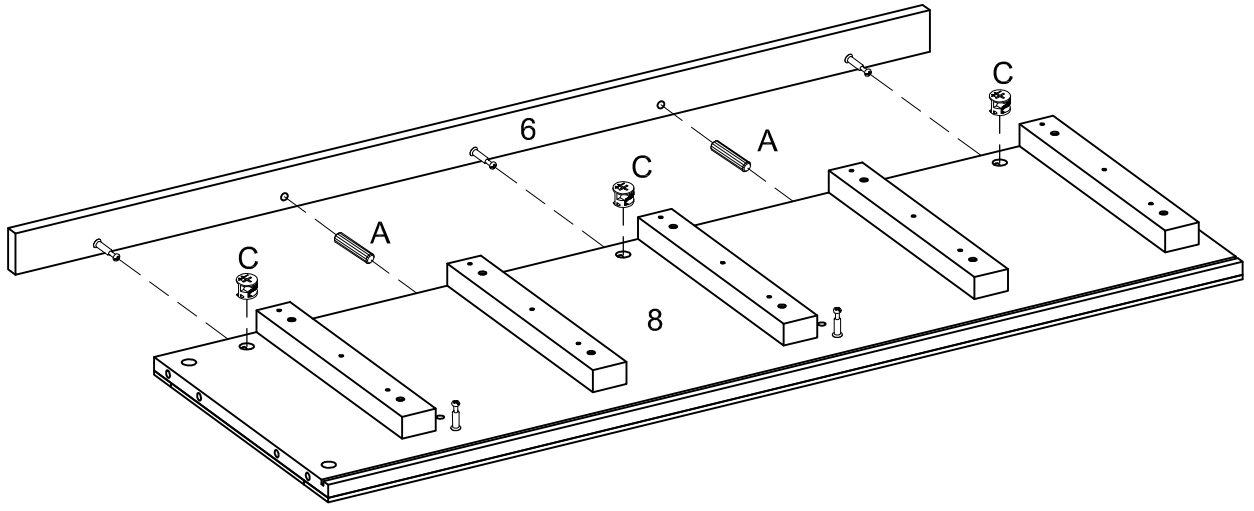
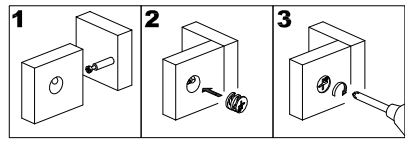
Step 1



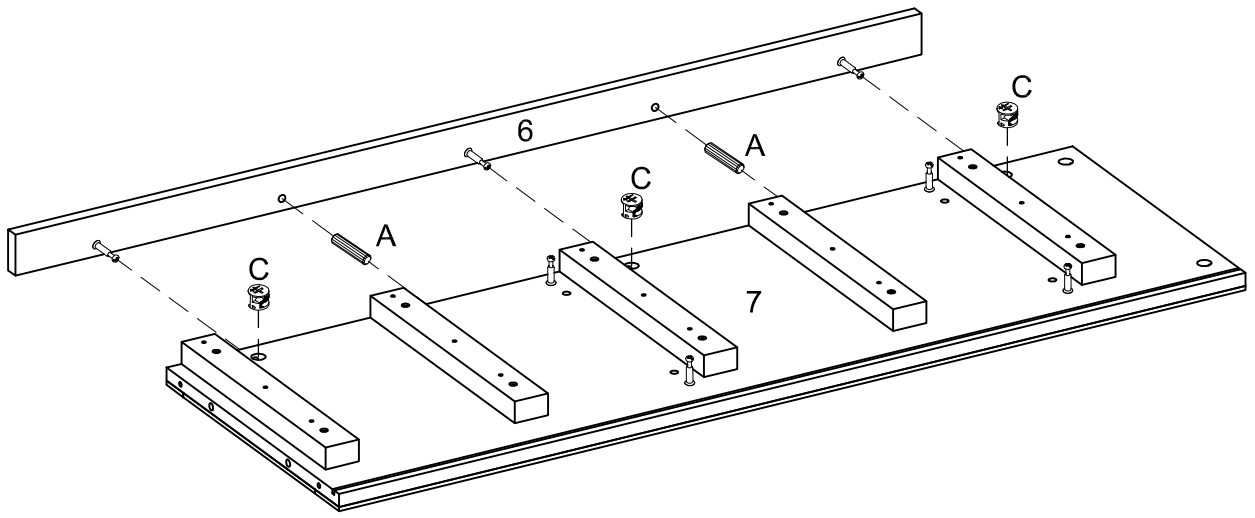
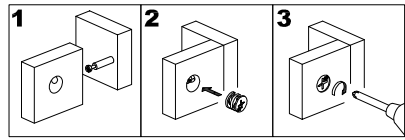
Step 2



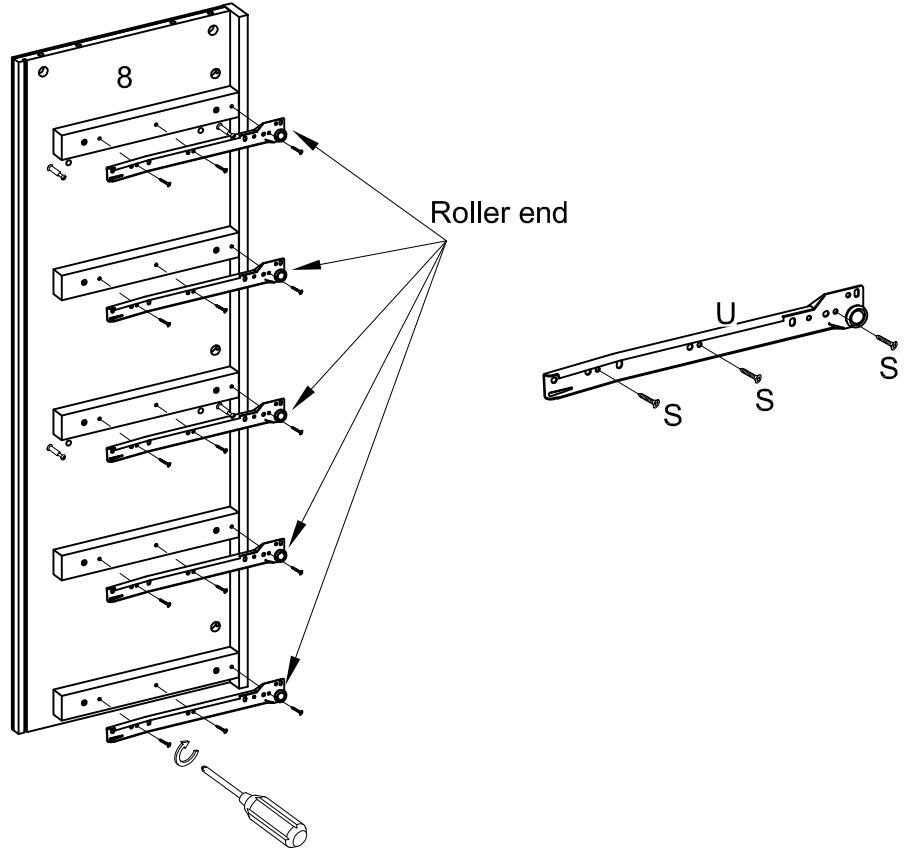
Step 3



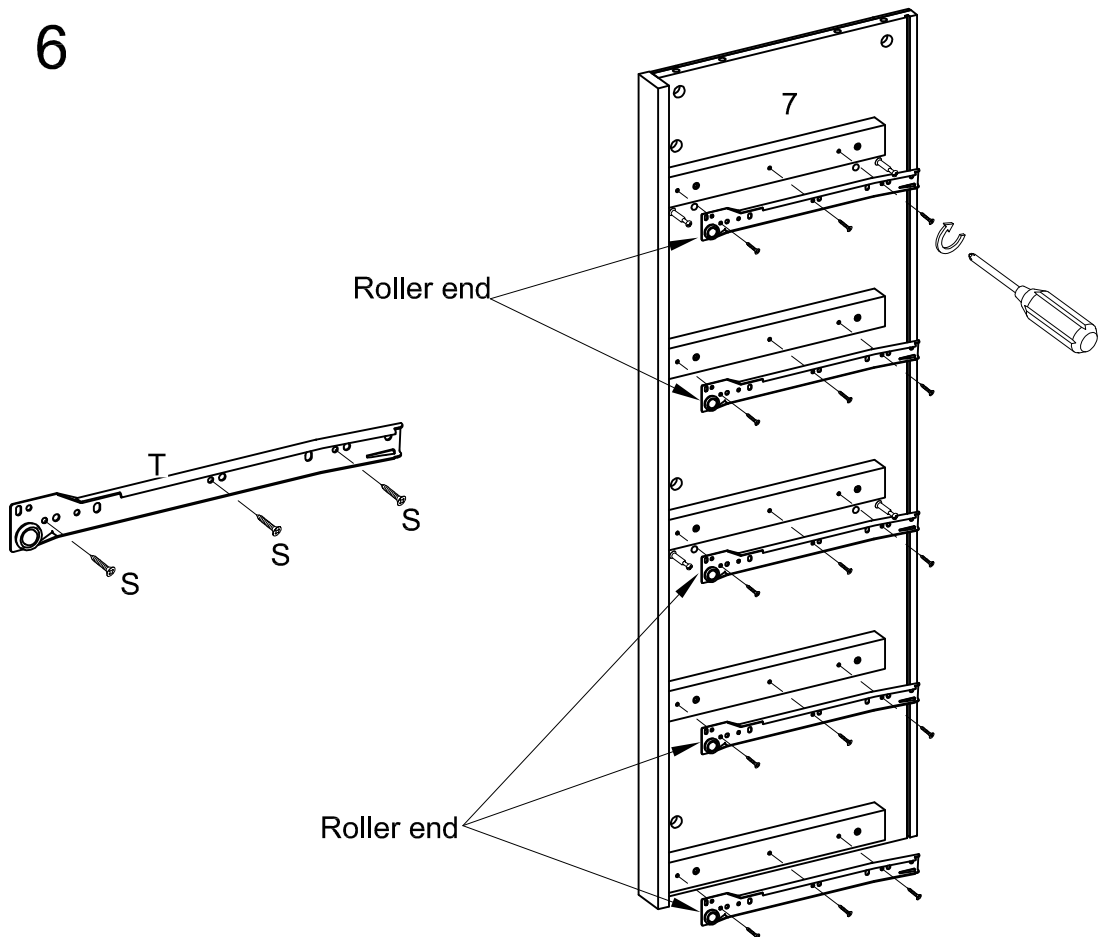
Step 4



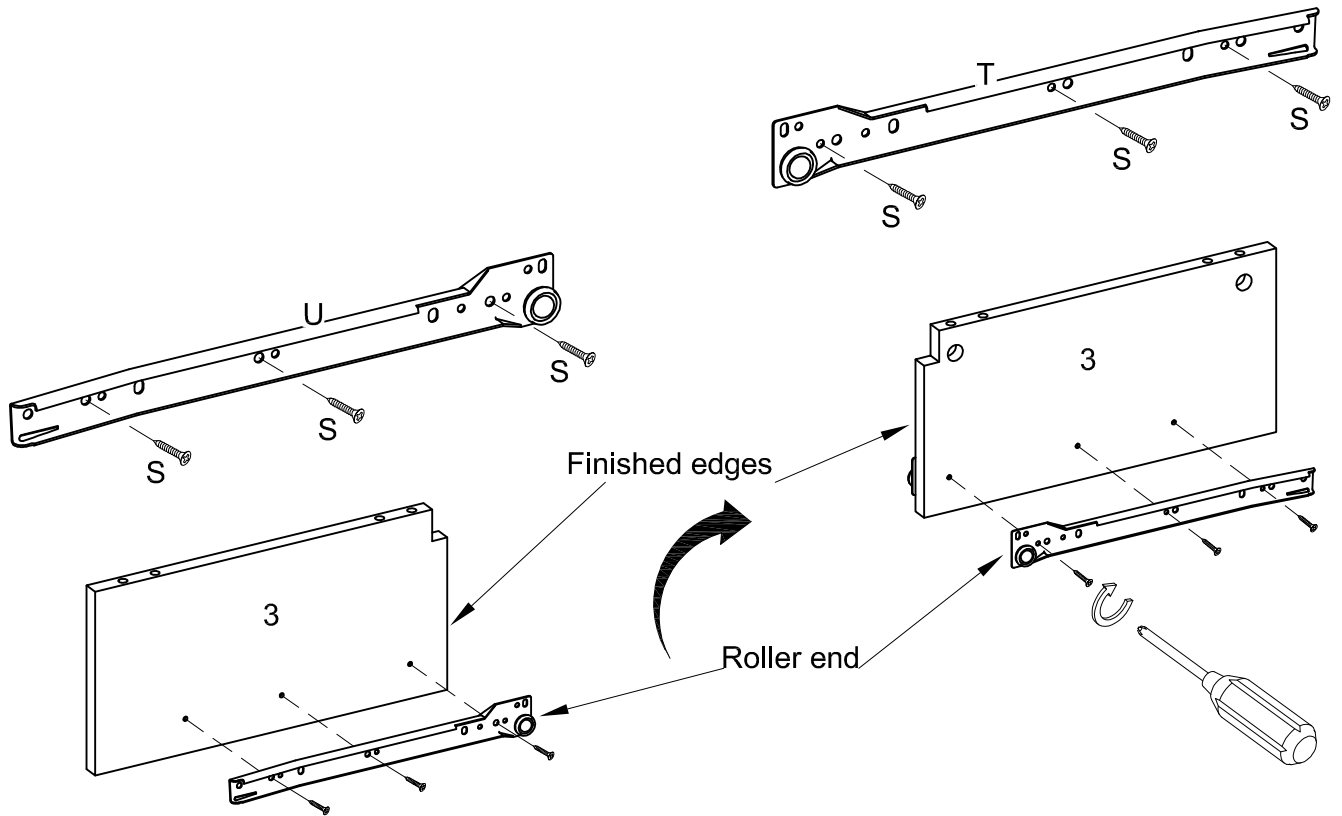
Step 5



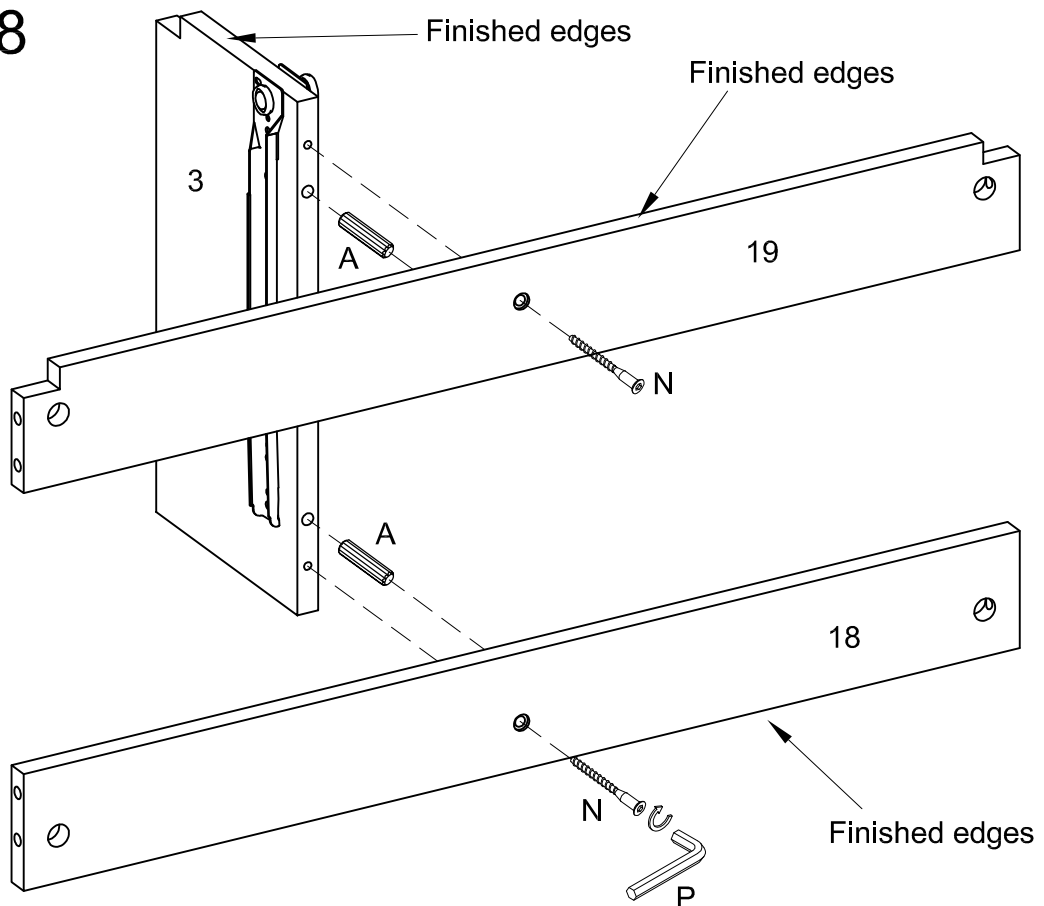
Step 6



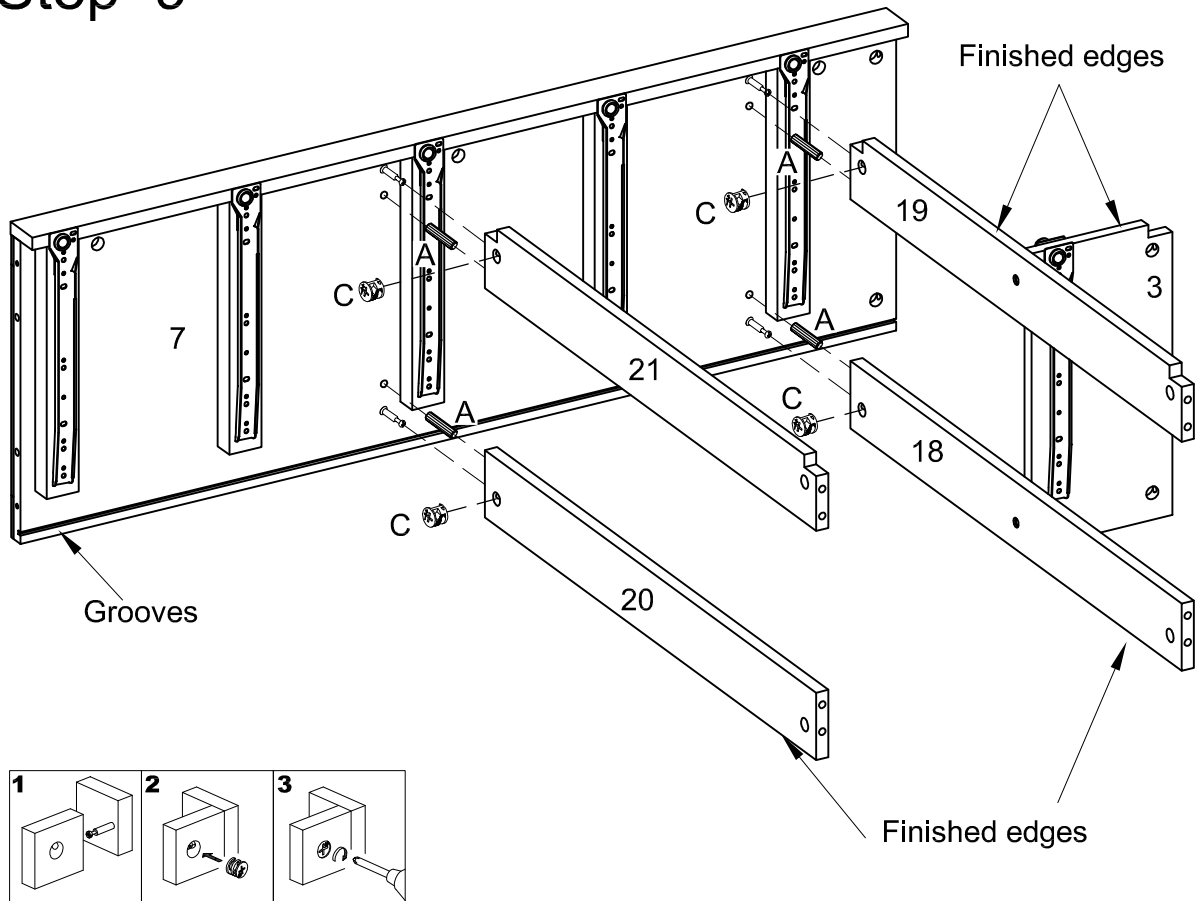
Step 7



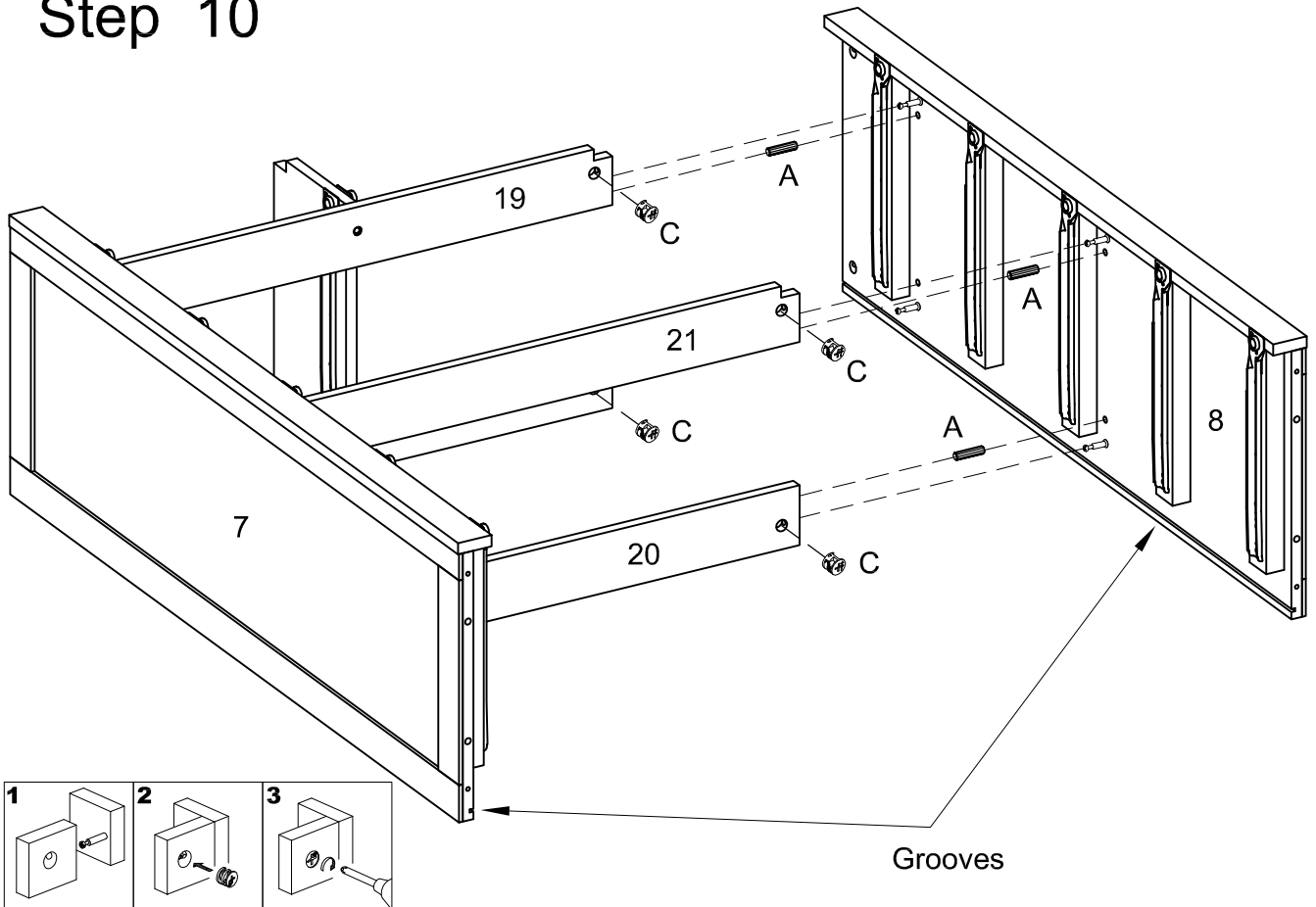
Step 8



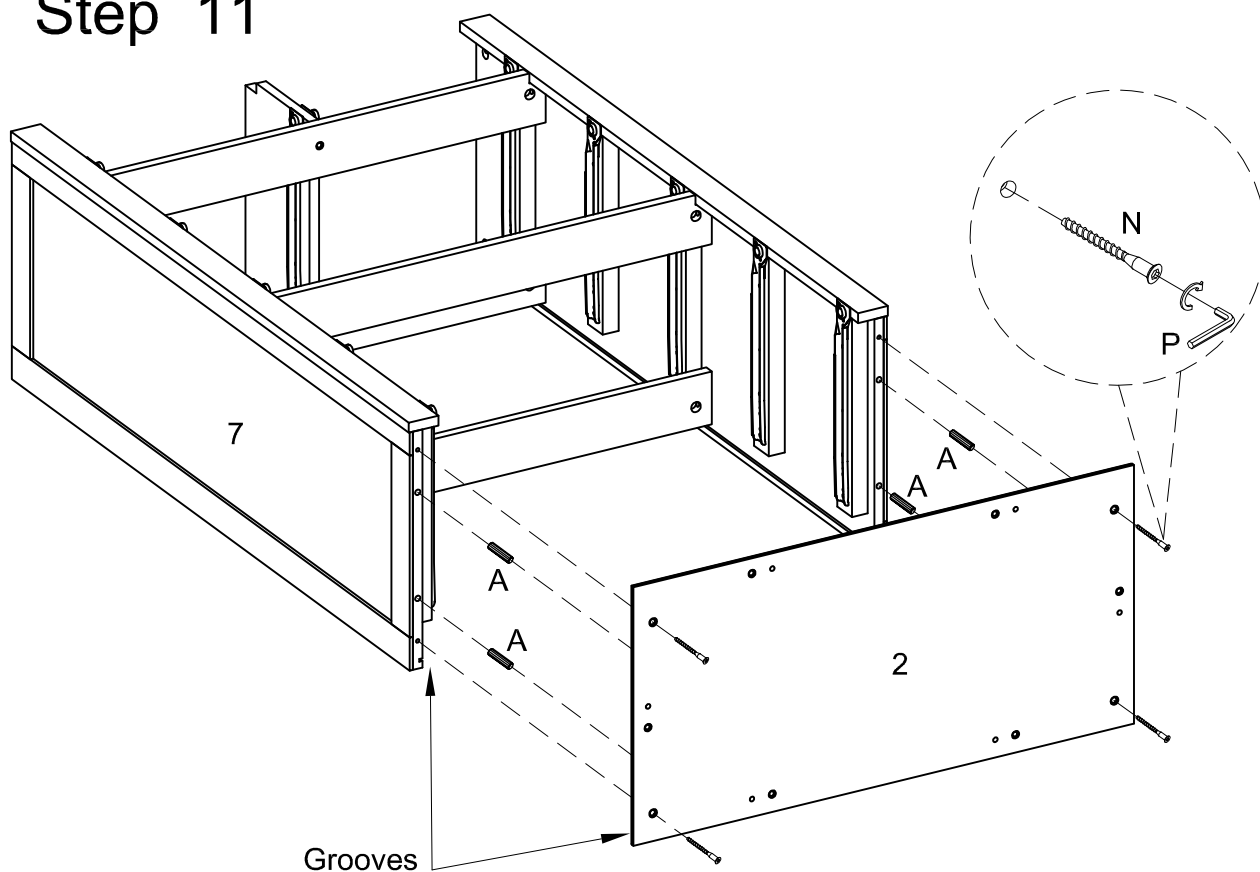
Step 9



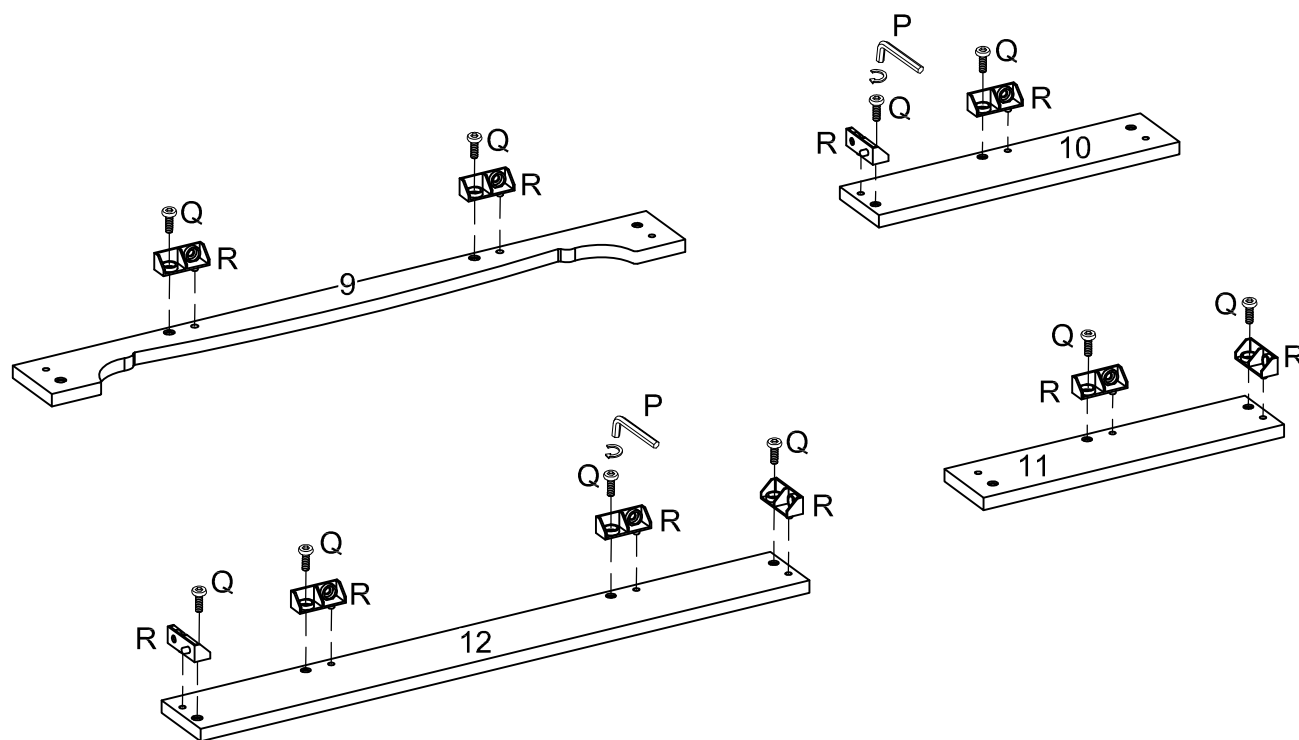
Step 10



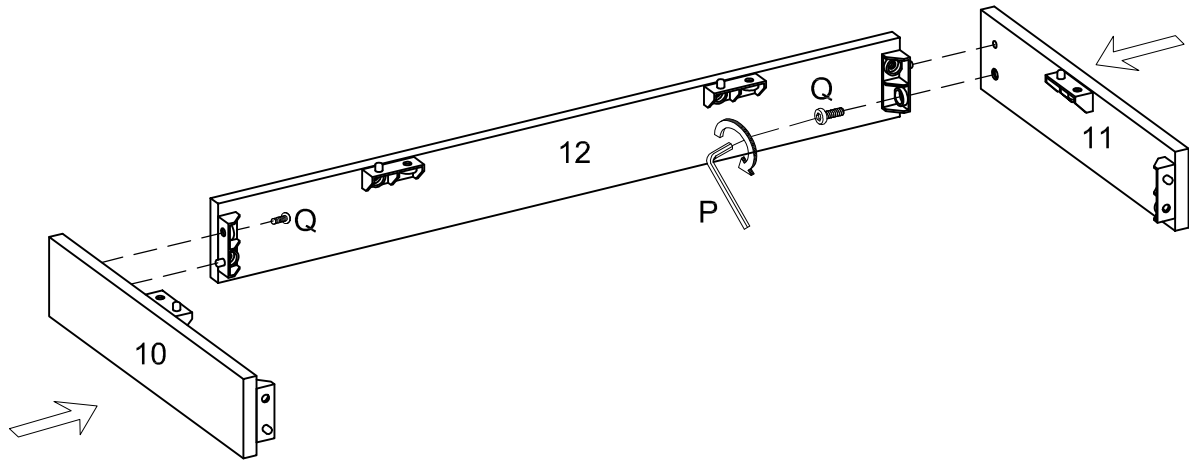
Step 11



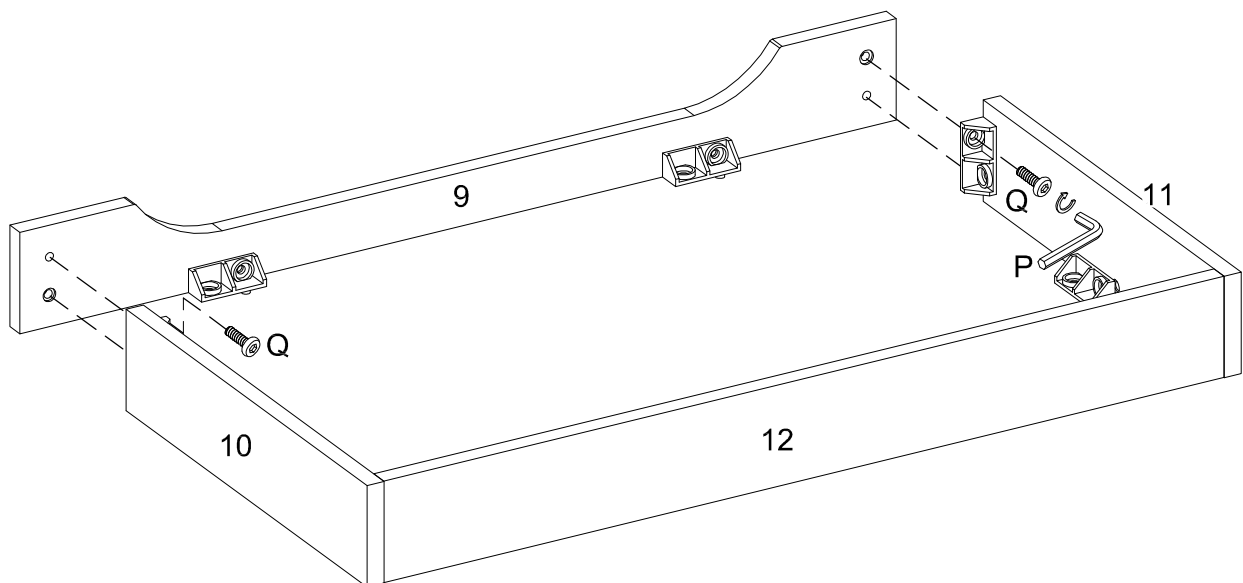
Step 12



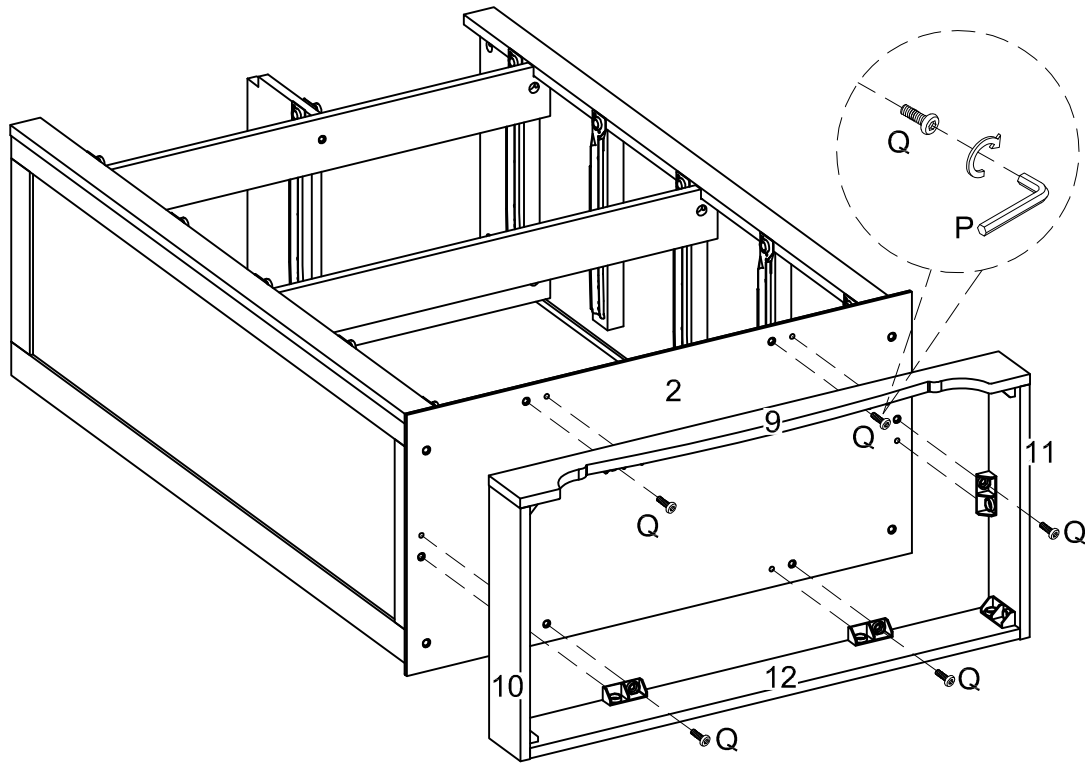
Step 13



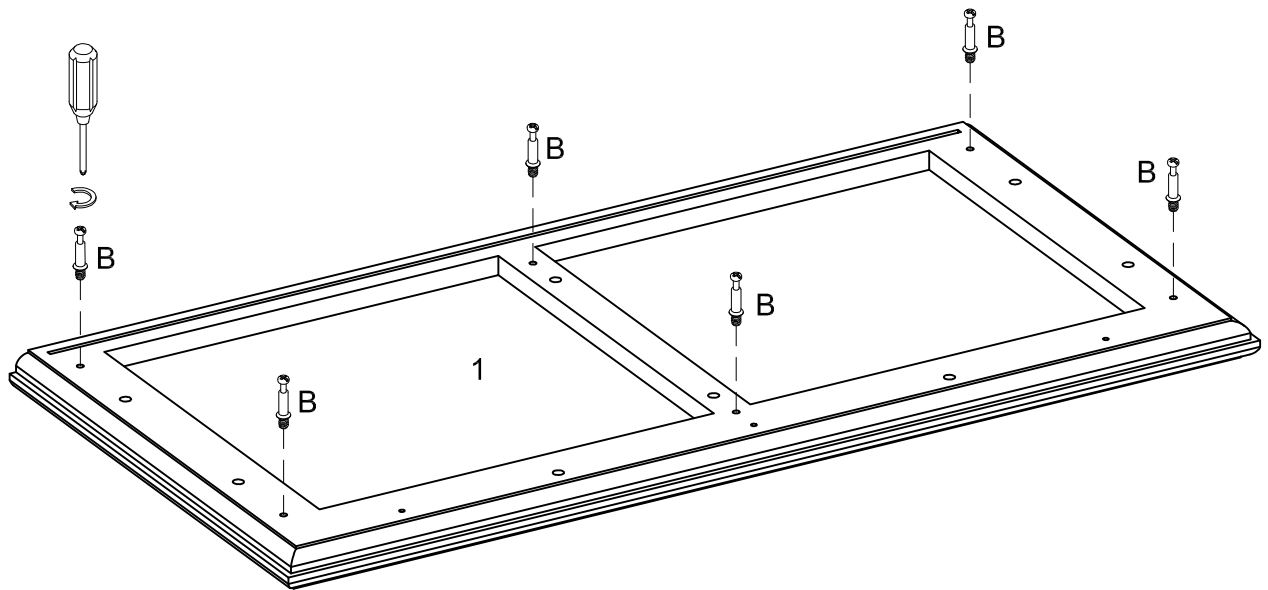
Step 14



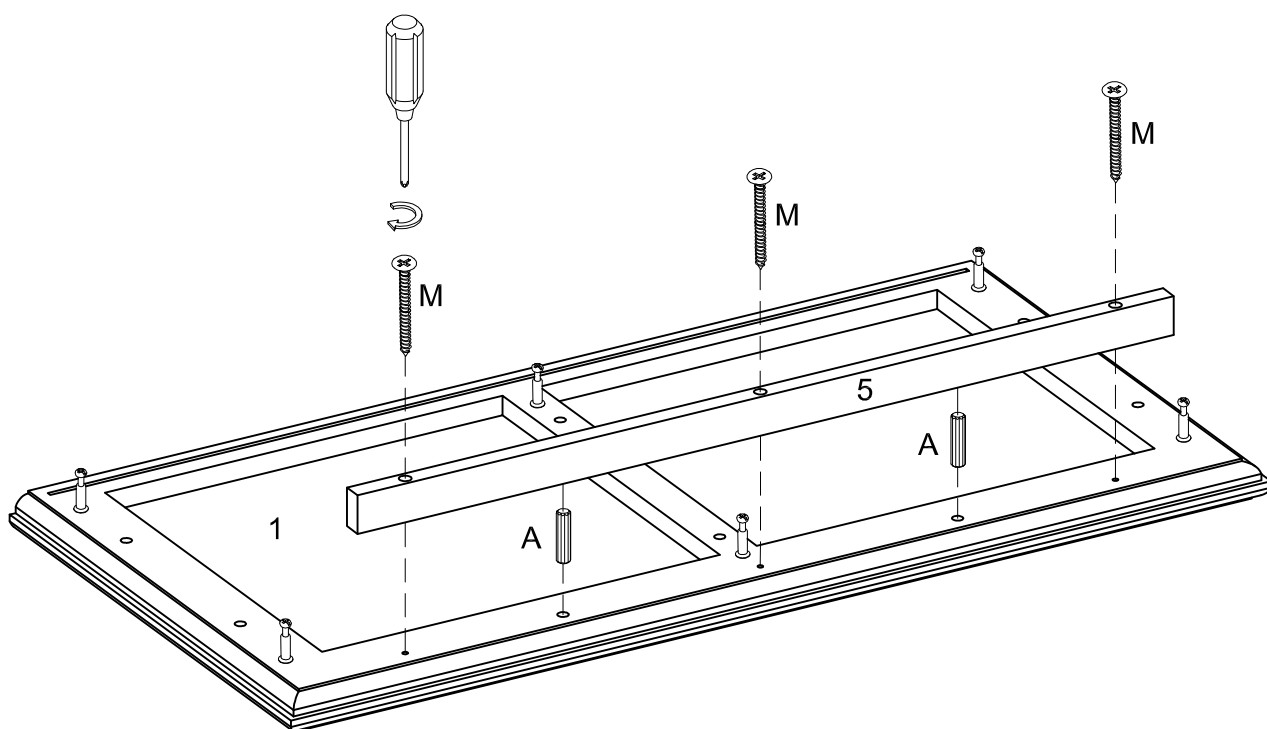
Step 15



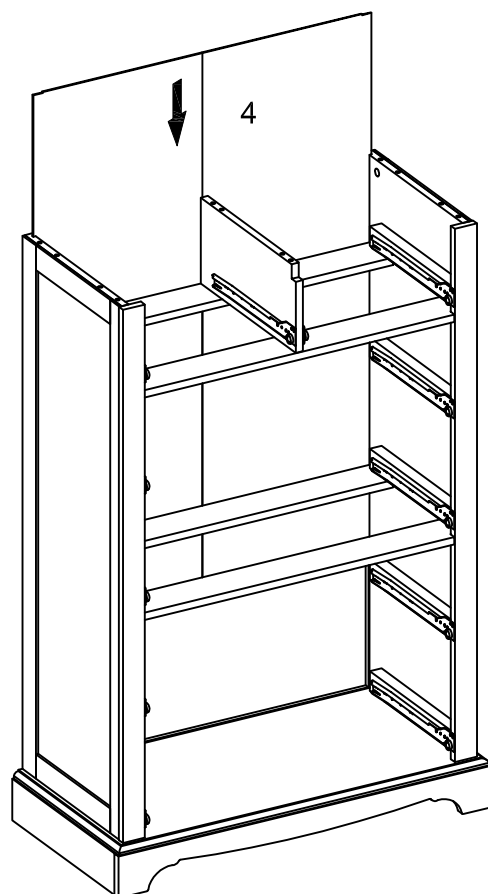
Step 16



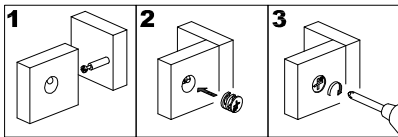
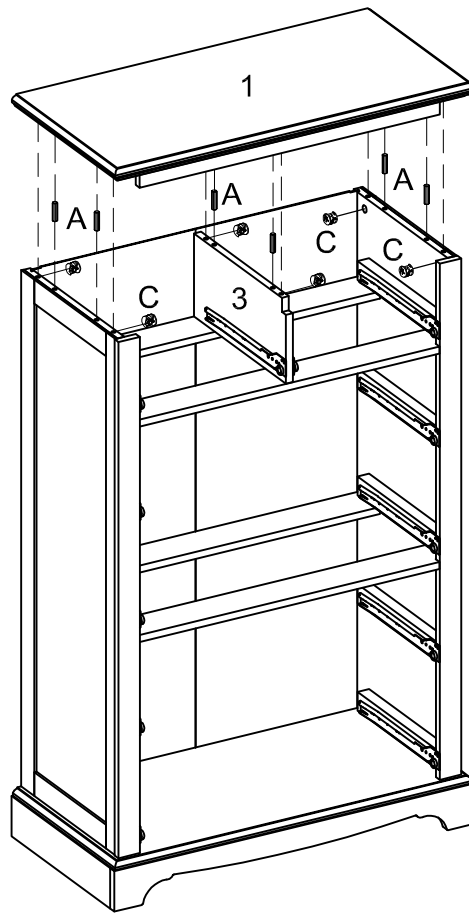
Step 17



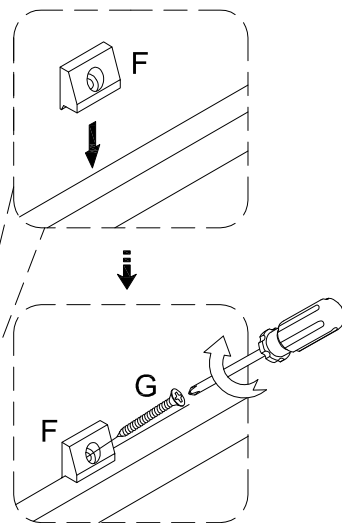
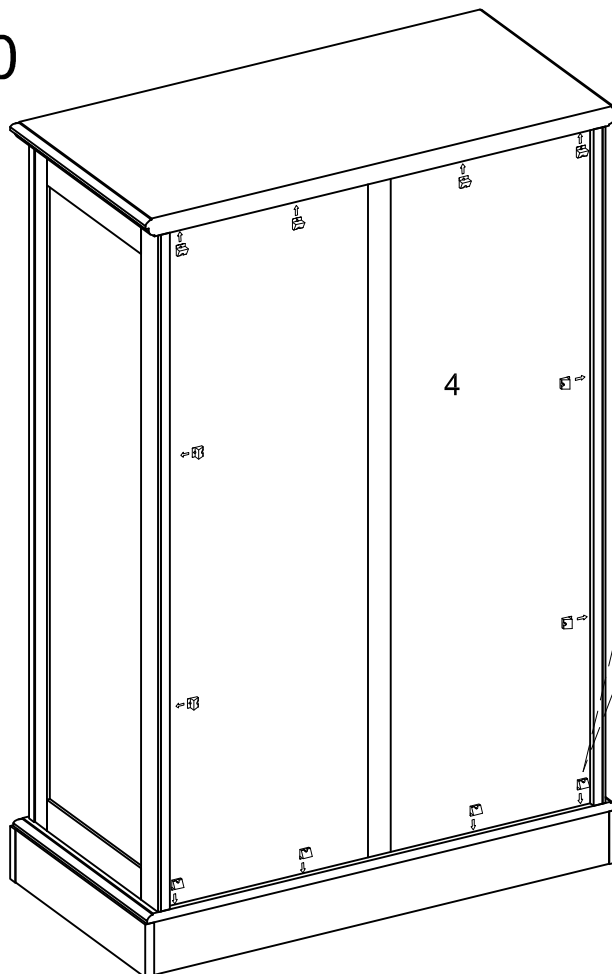
Step 18



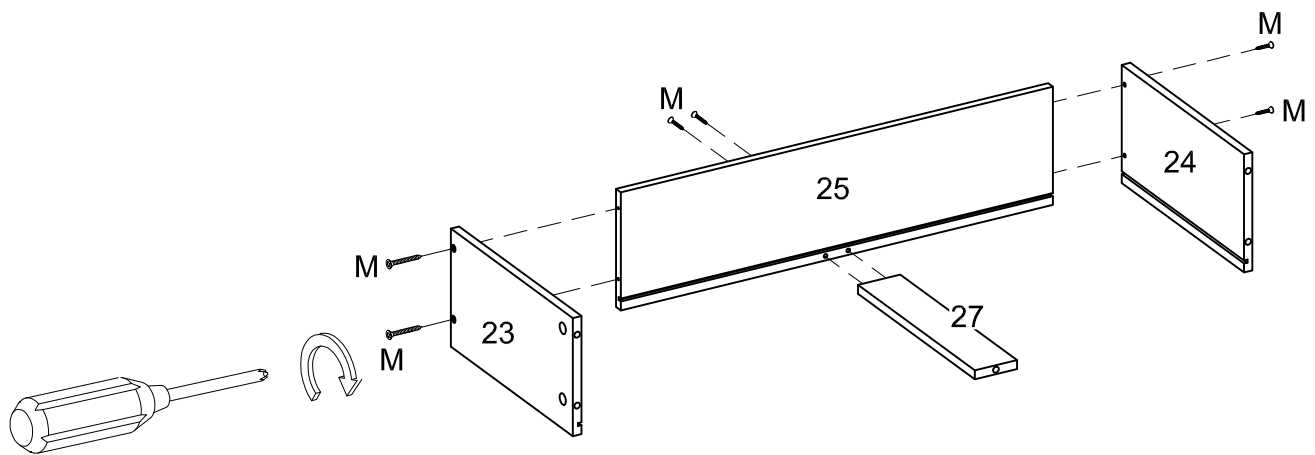
Step 19



Step 20



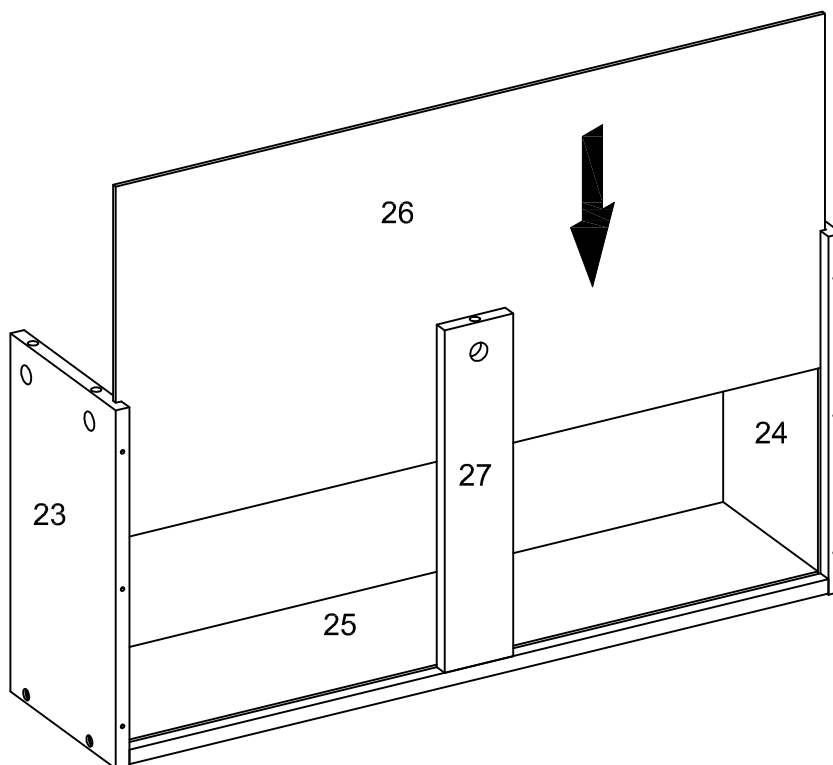
Step 21



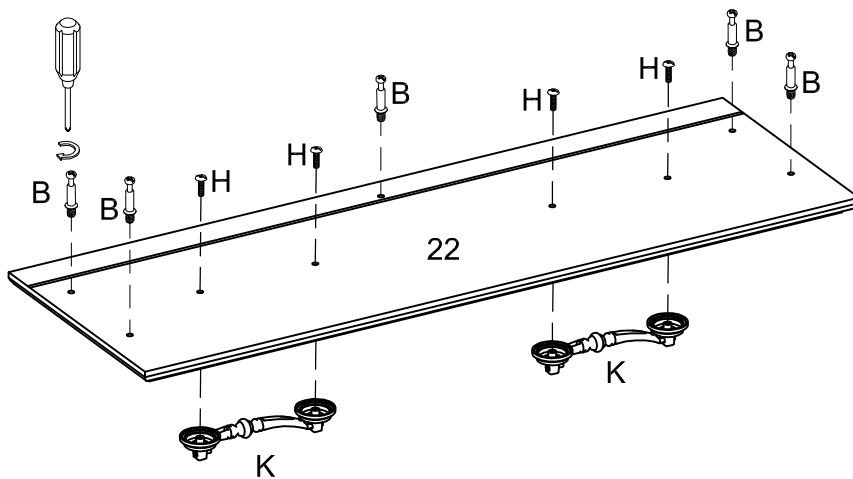
x4

Step 22

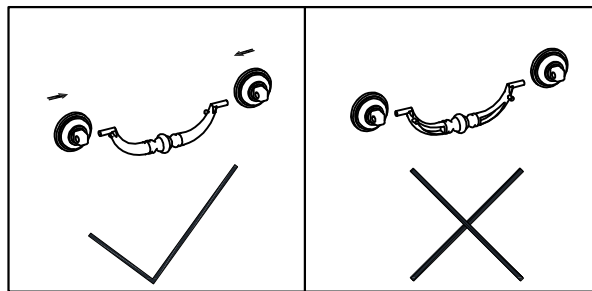
x4



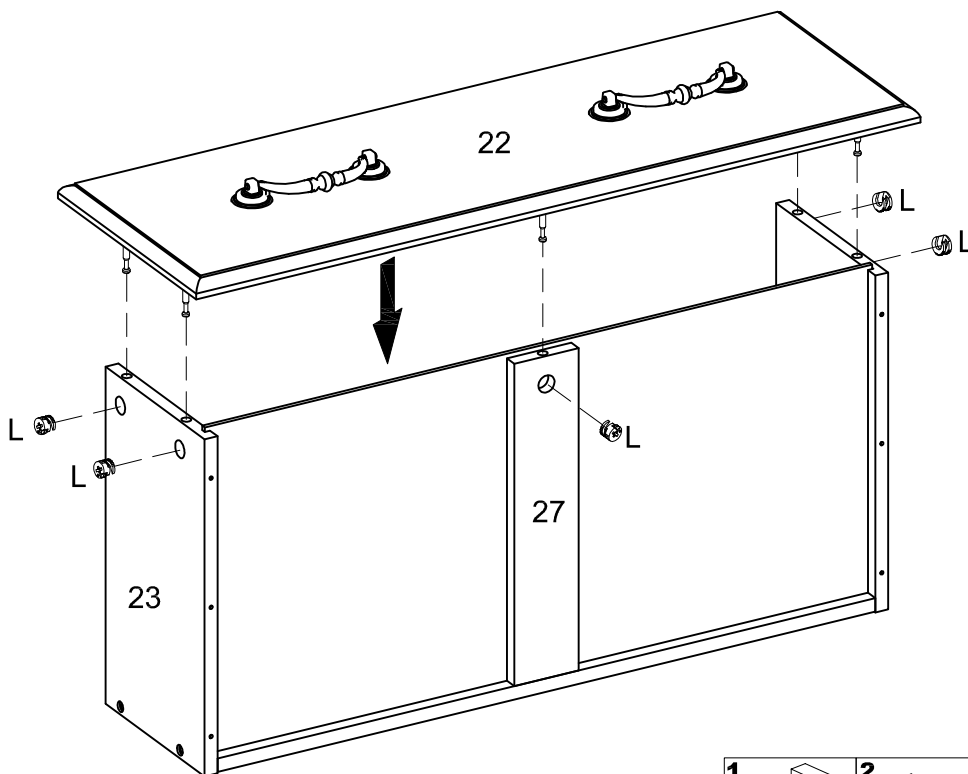
Step 23



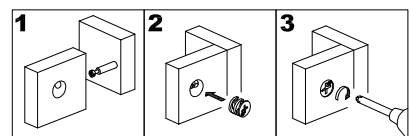
x4



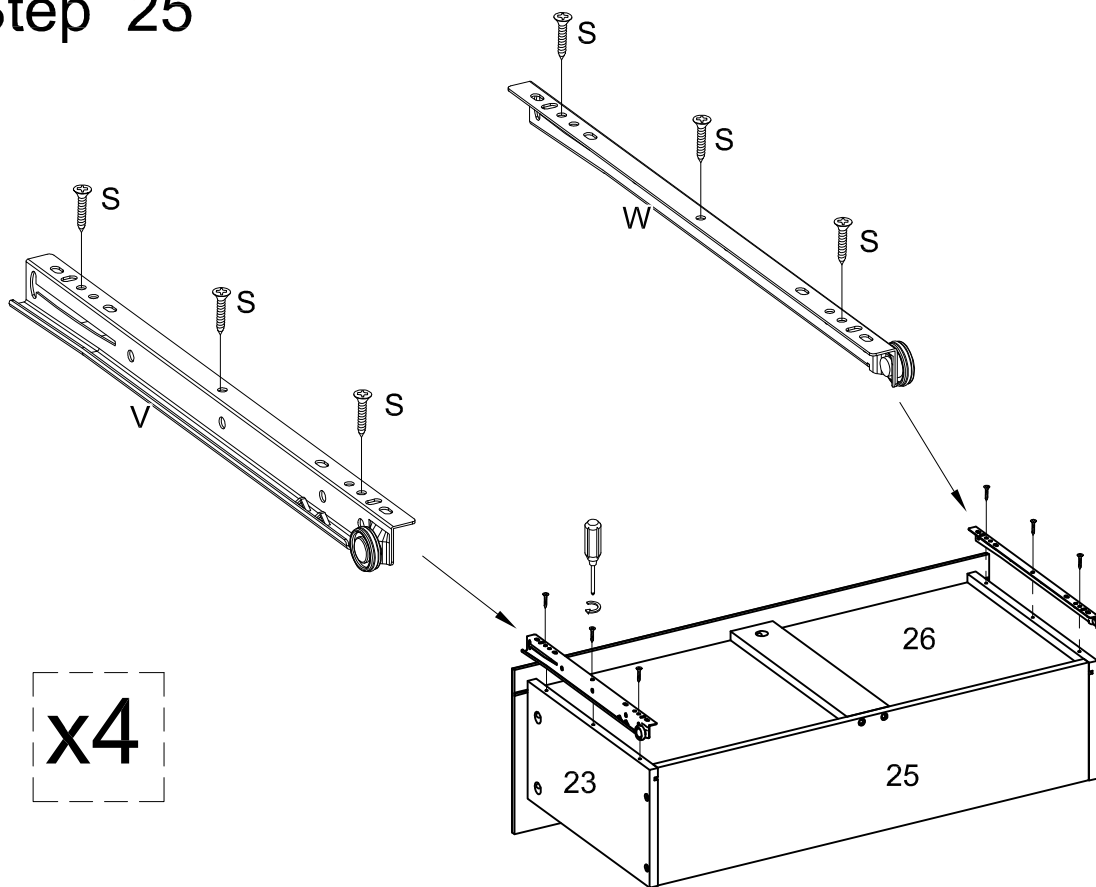
Step 24



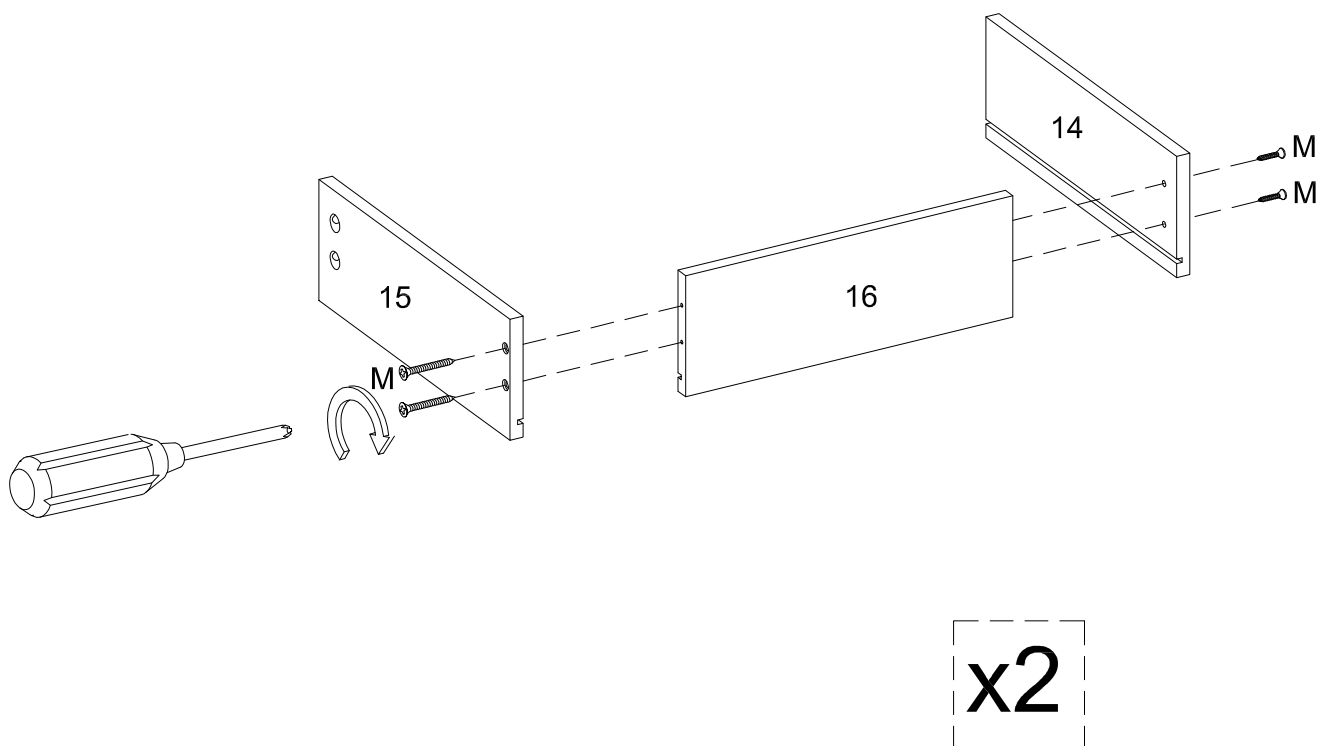
x4



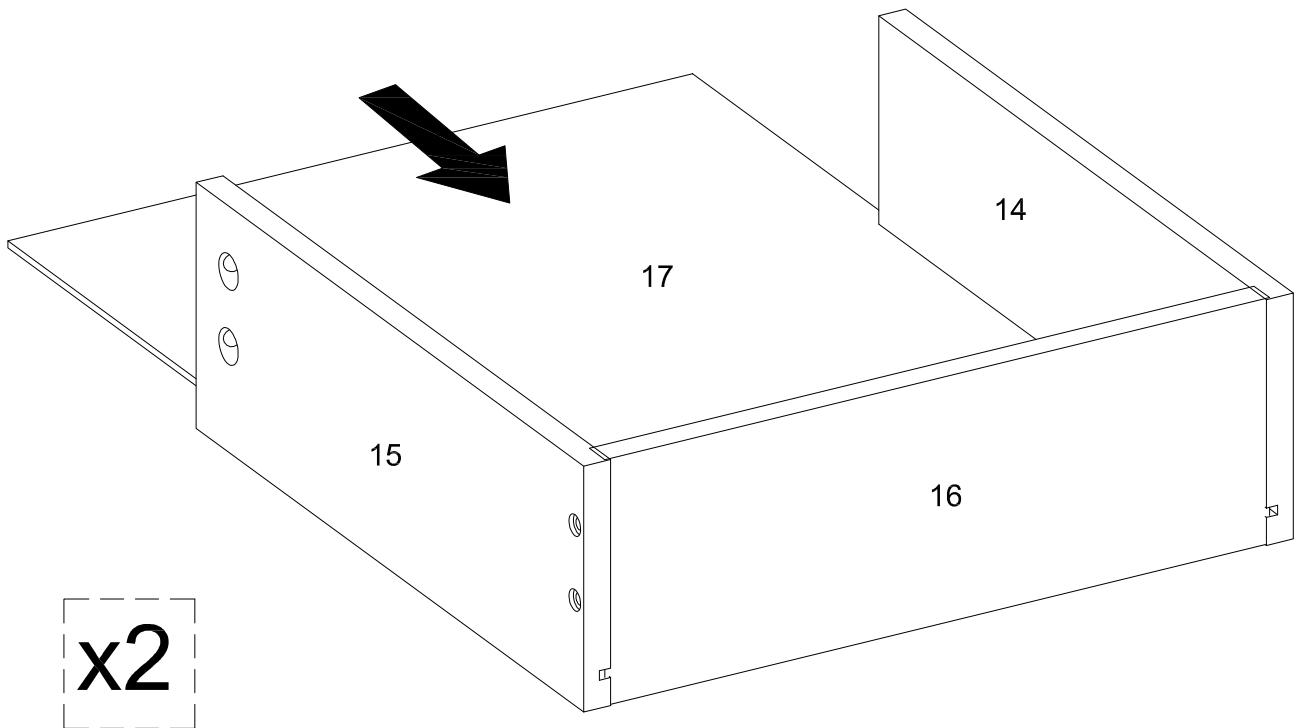
Step 25



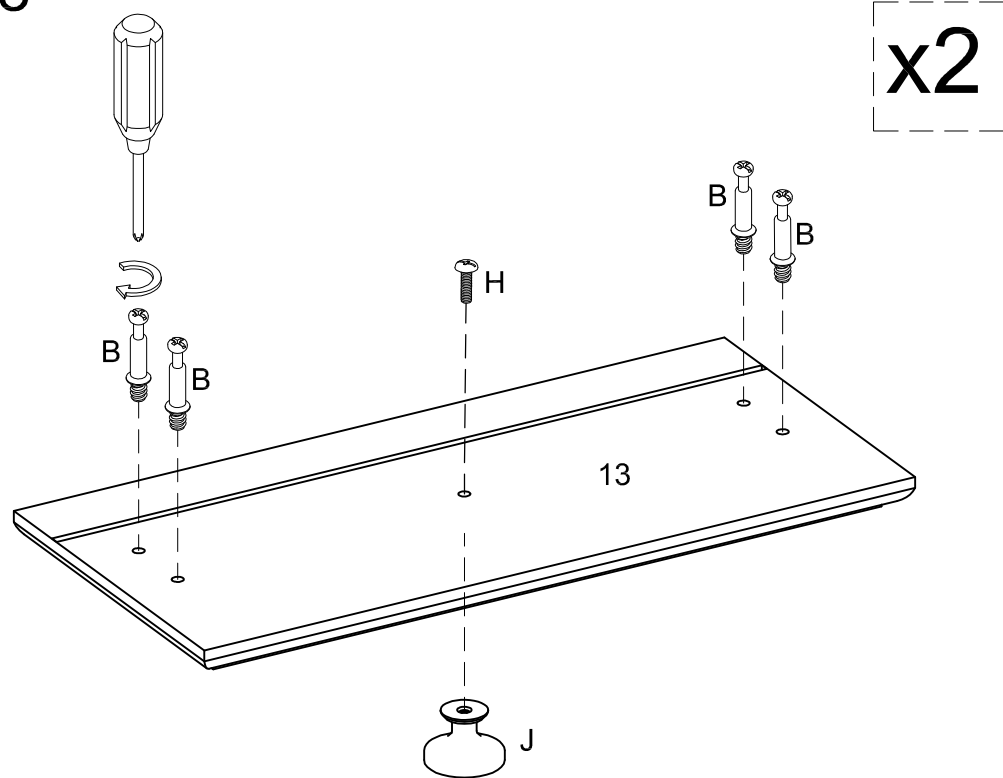
Step 26



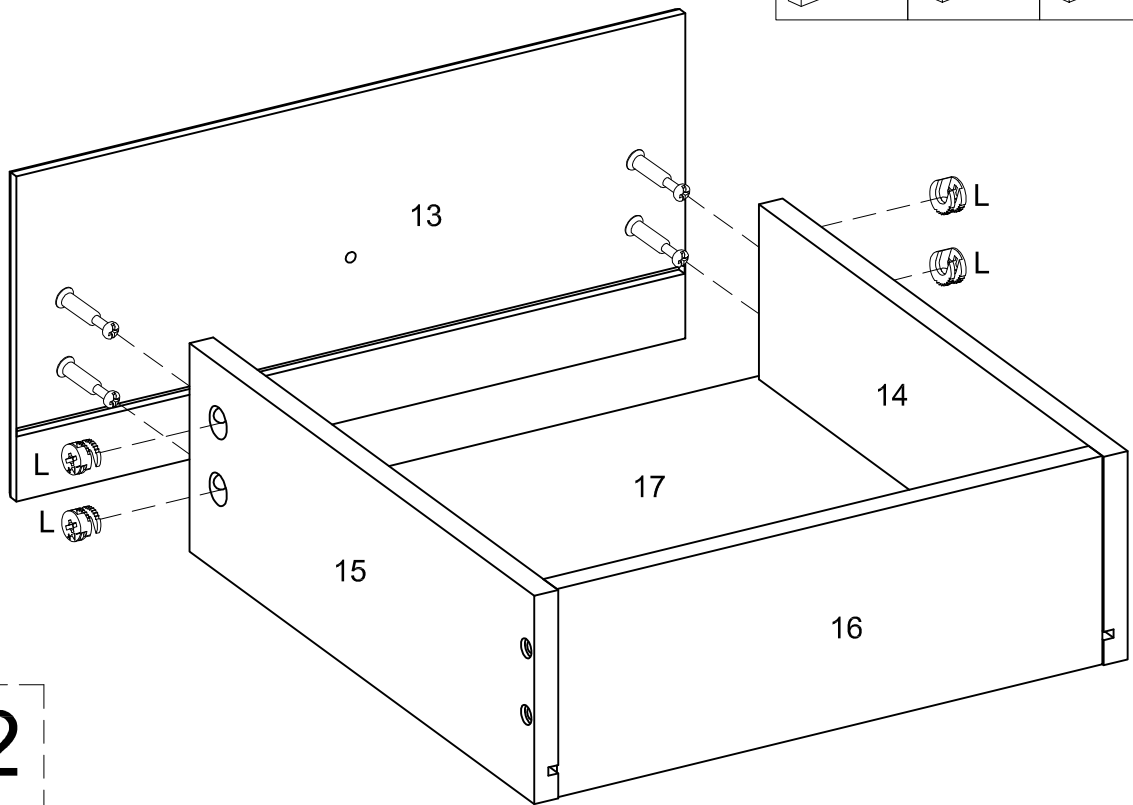
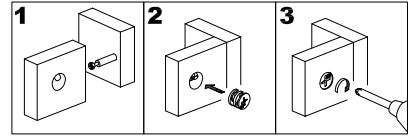
Step 27



Step 28

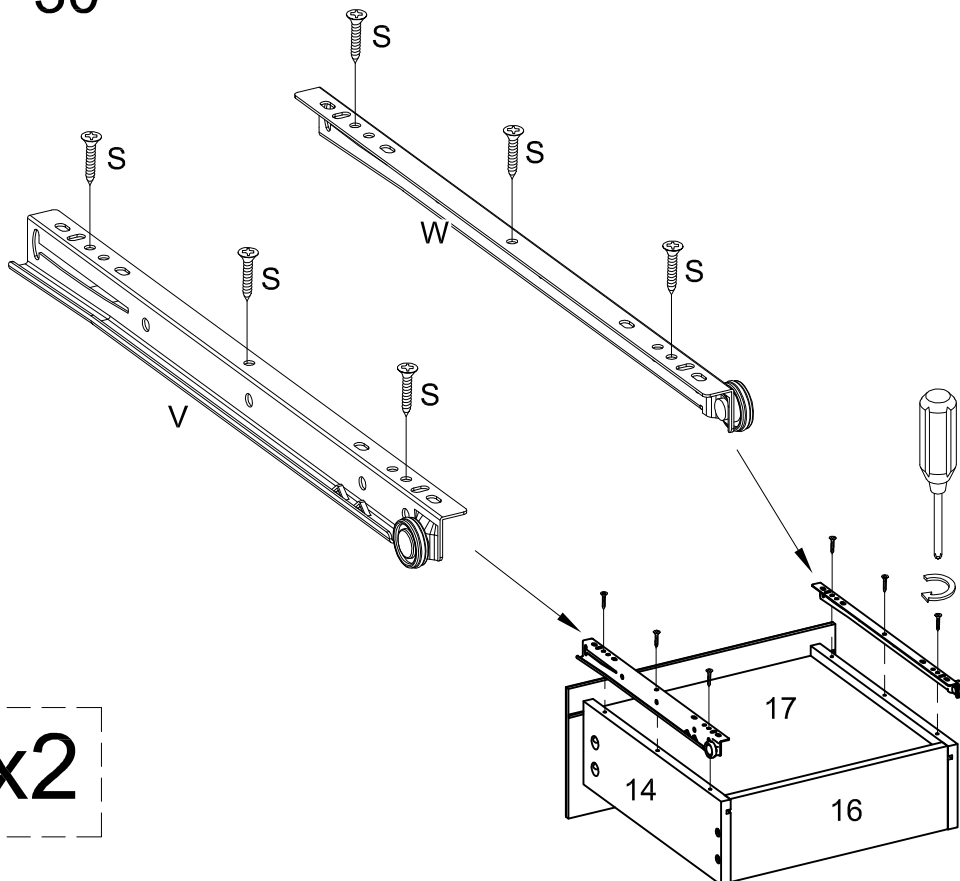


Step 29



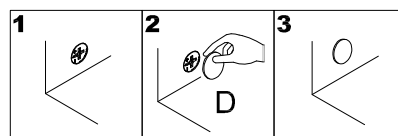
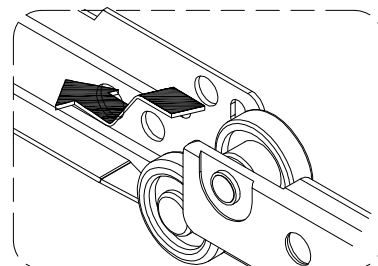
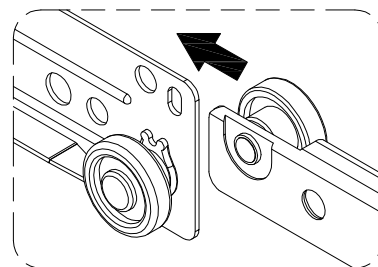
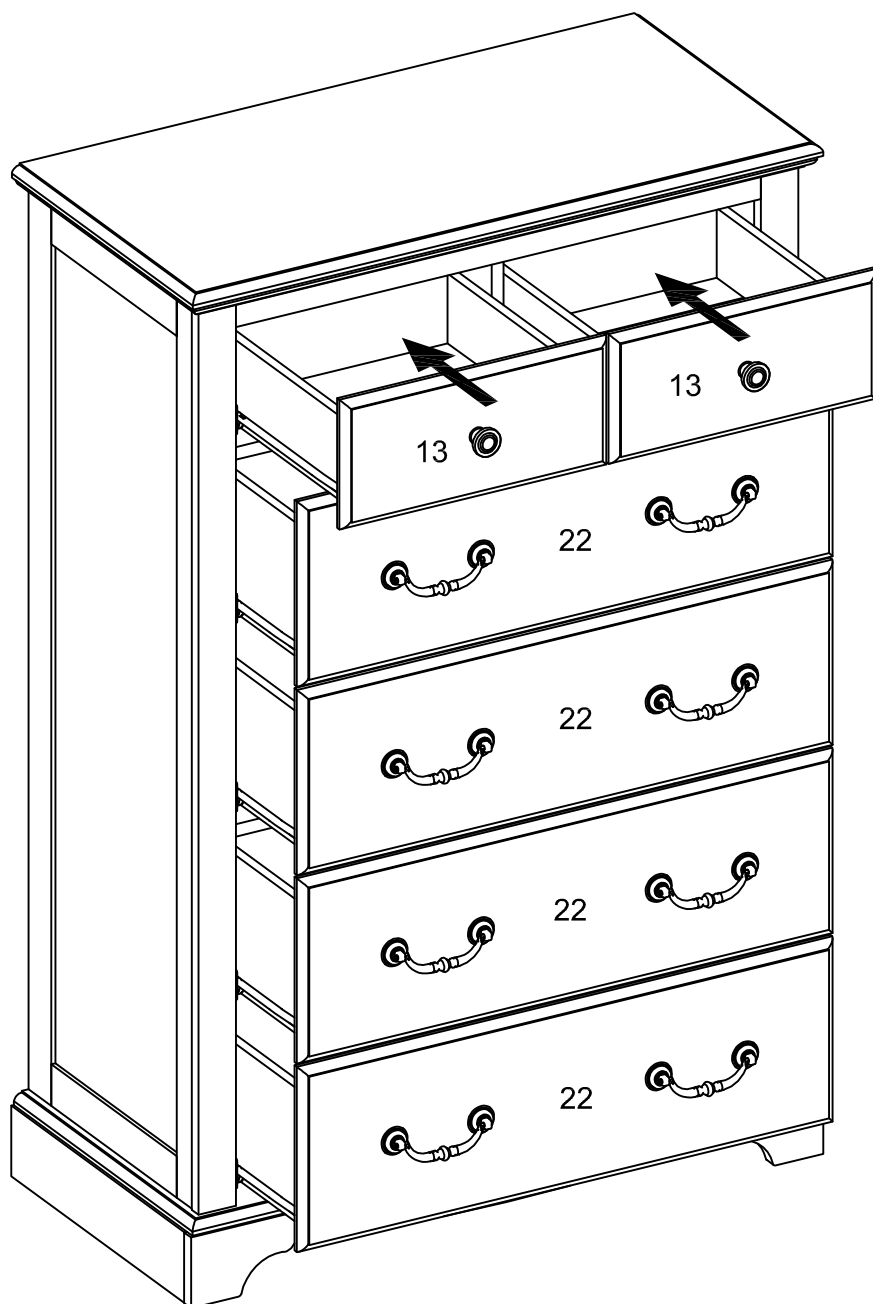
x2

Step 30

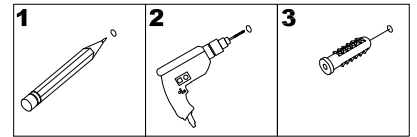


x2

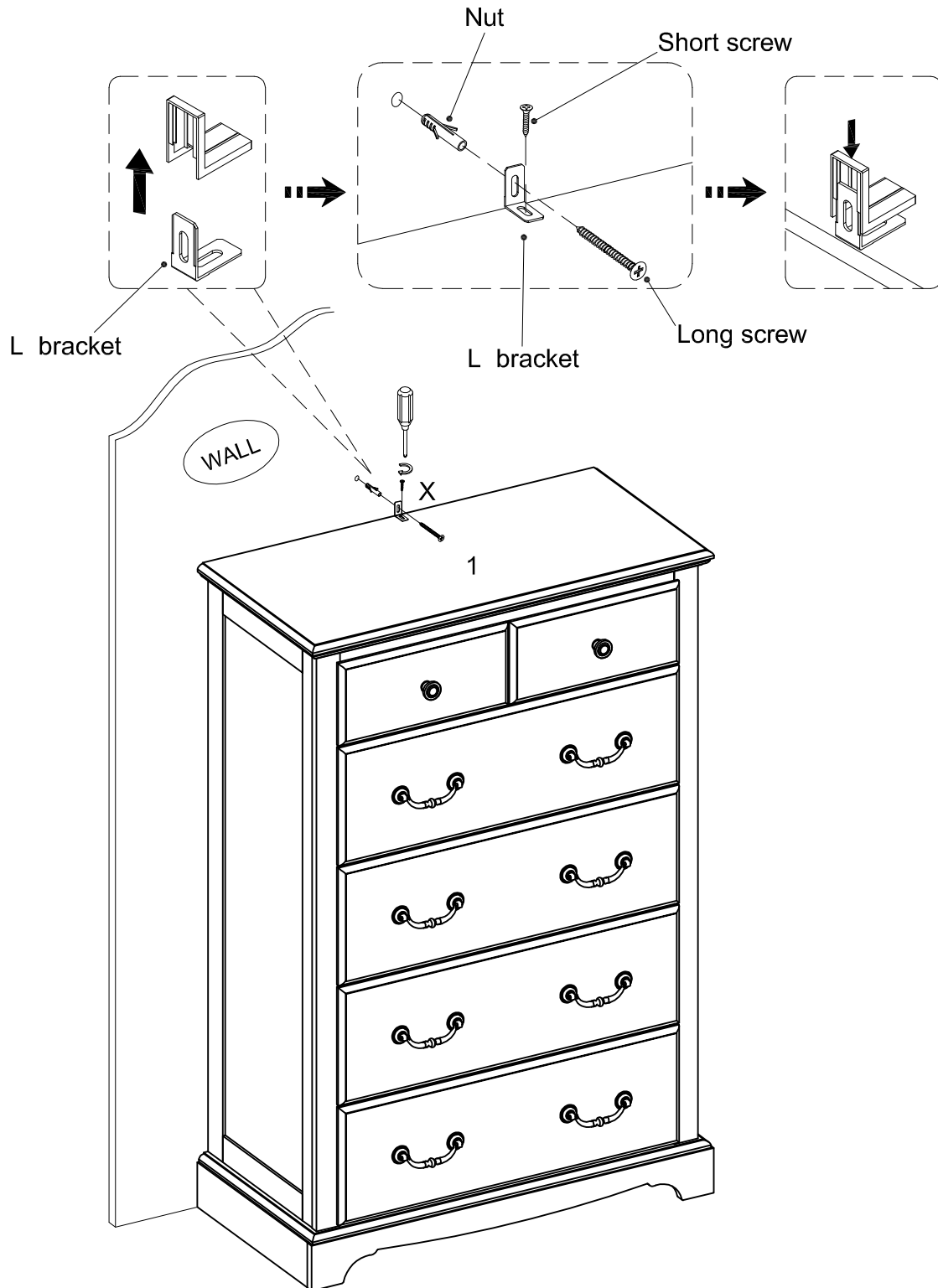
Step 31



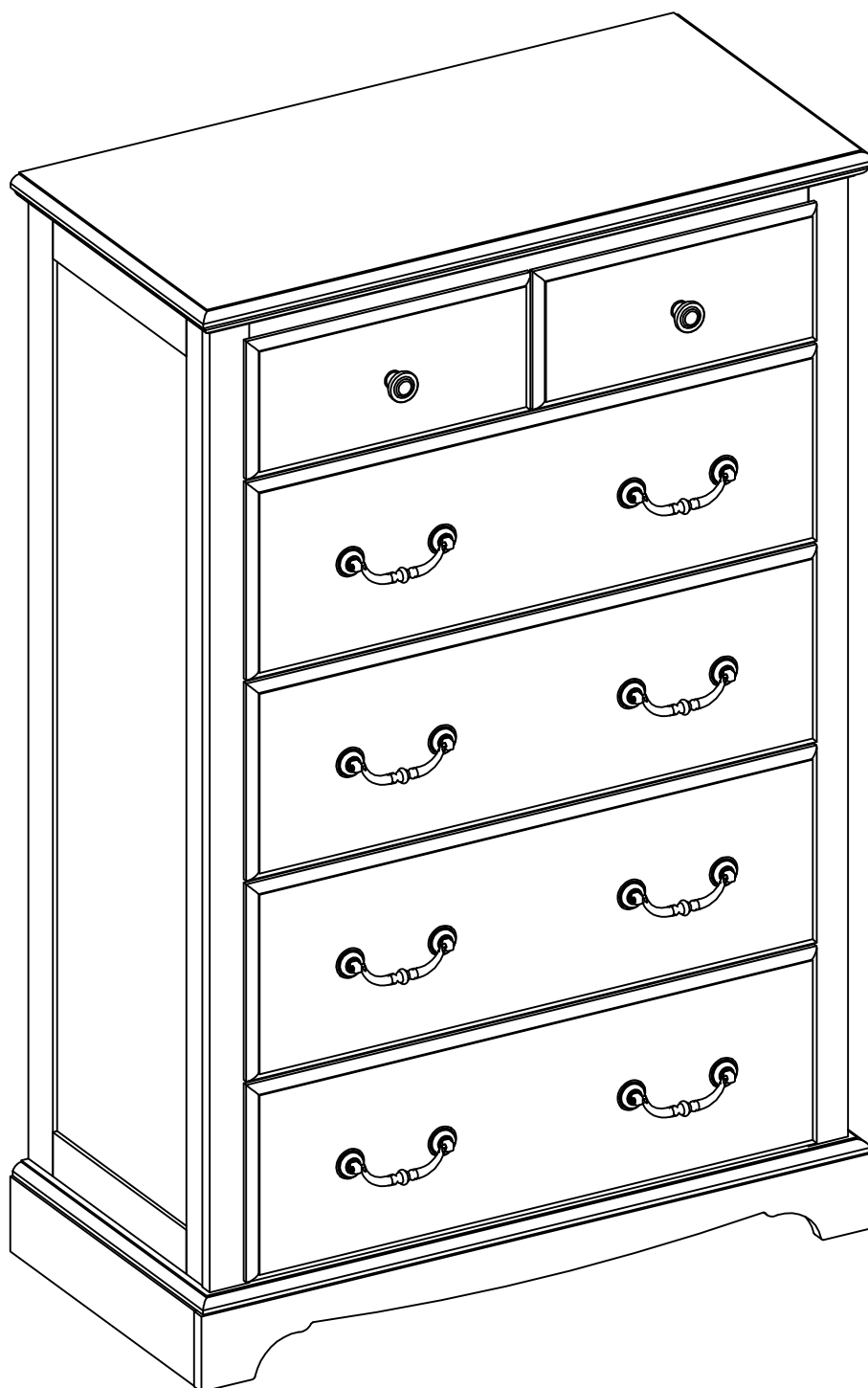
Step 32



Serious or fatal injuries can occur from furniture tipping over. To prevent the furniture from tipping over we recommend that it is permanently fixed to the wall. Wall anchor and hardware are included with this product. Please make sure hardware is suitable for your walls before installing, as different wall materials may require different types of anchors.



Step 33



Final Assembly