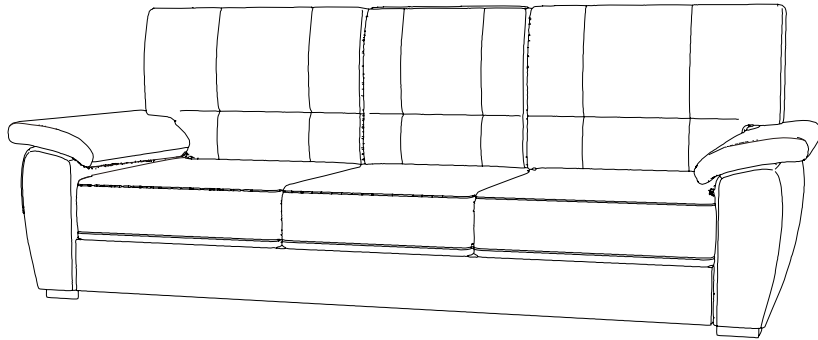
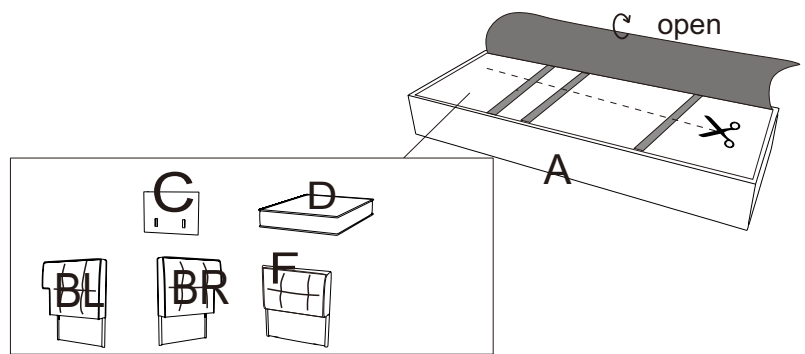
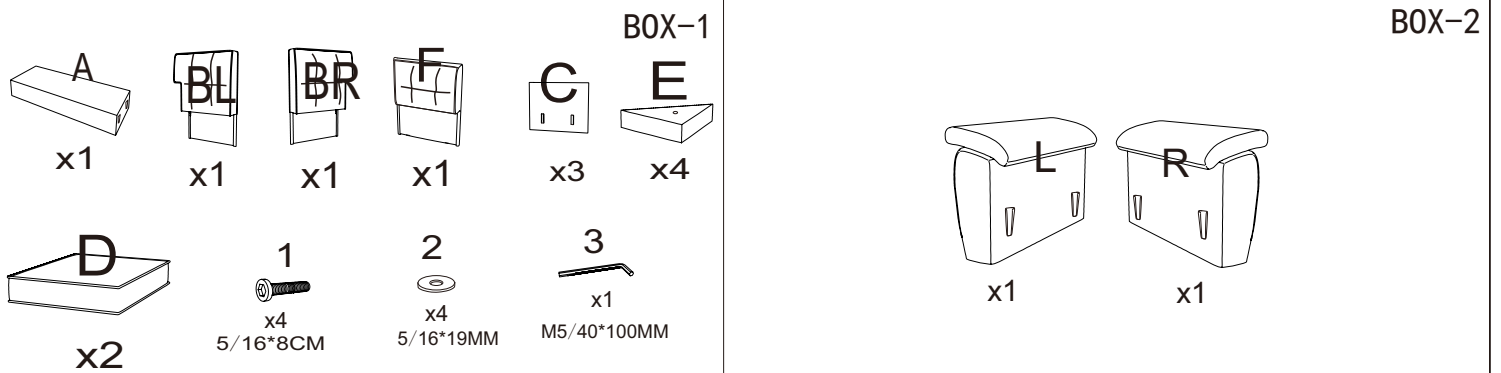


# ASSEMBLY INSTRUCTION

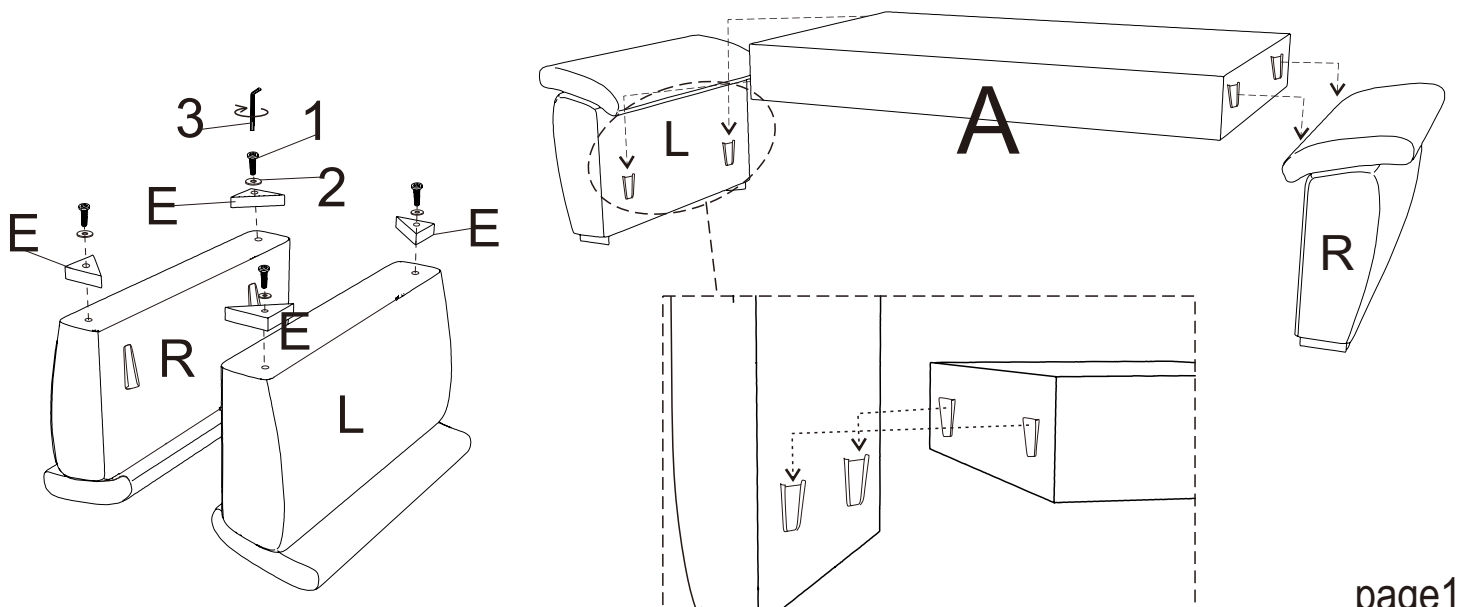


## PARTS LIST

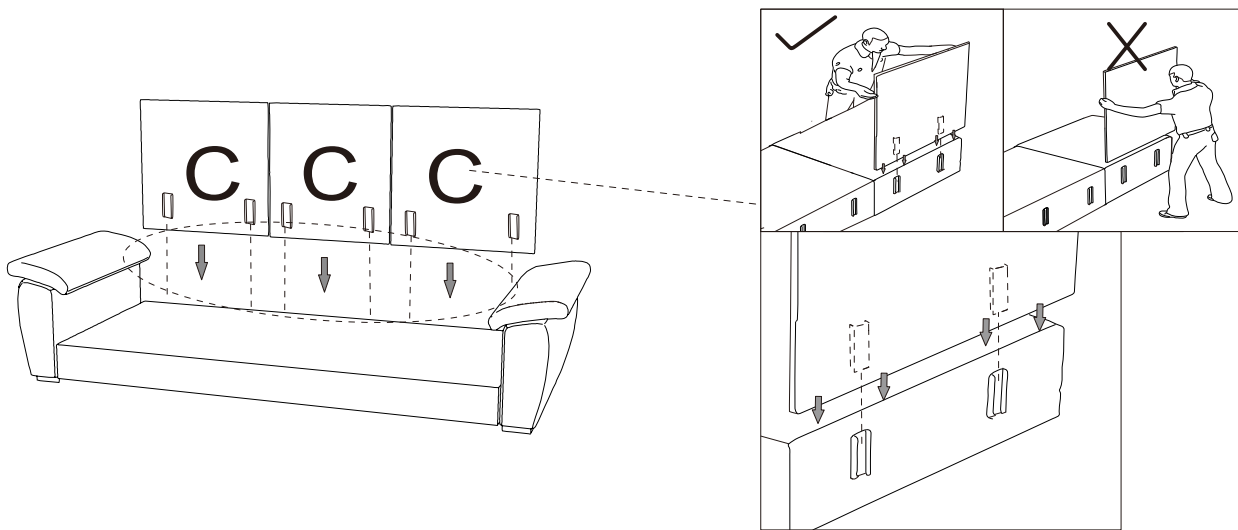


## ASSEMBLY INSTRUCTION

Step1



Step2



Step3

