

# 7-Light Zigzag Candle Style Linear Chandelier

**Caution:** Please turn off power before installation and read the manual carefully, we advise you contact professional electricians to install for safety purpose.

## Product Features

Style: Modern/Contemporary

Material: Metal

Color: Black & Brass

Base Type: E12

Light Source Included: NO

Voltage: 120VAC

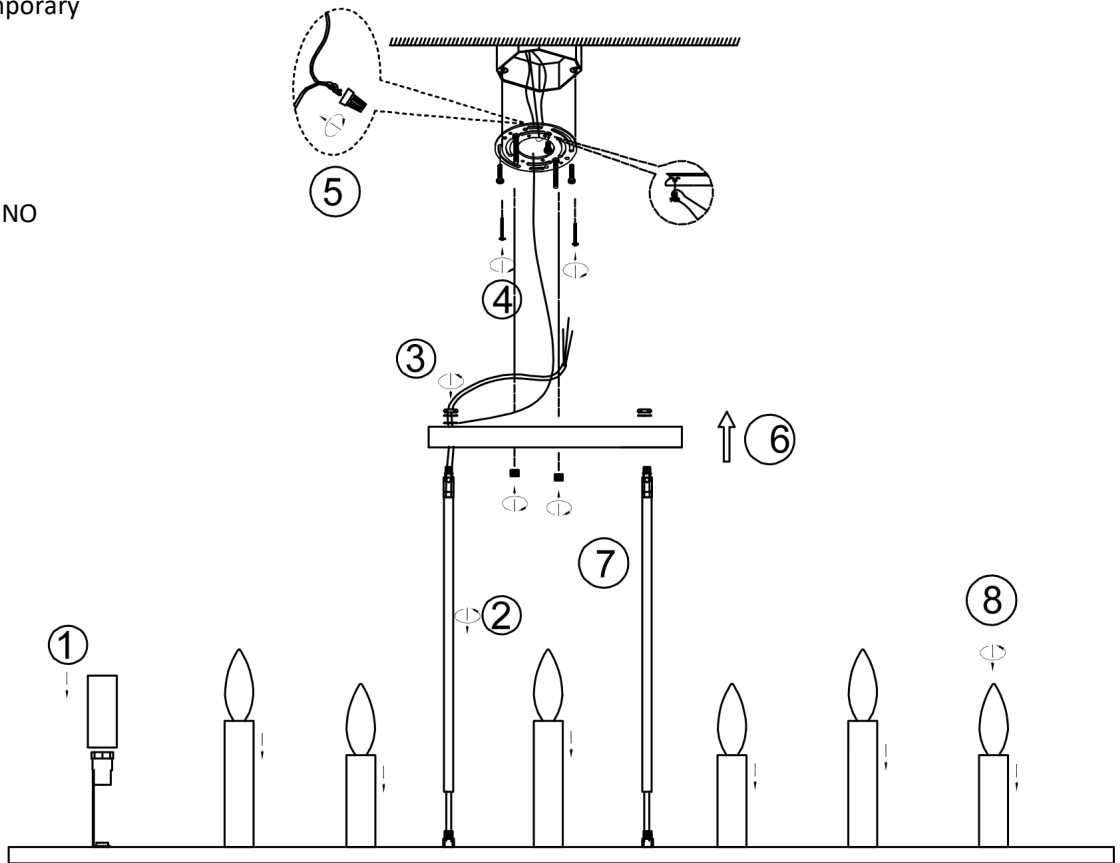
Wattage: 60W

## Package includes

1 x Chandelier Light

1 x Accessories Kit

1 x User's Manual



## Installation Instructions

1. Align the lamp tube with the lamp holder as indicated by the arrow in the diagram. Gently rotate the tube until it is securely fastened to the lamp holder.
2. Thread the fixture wire through the suspension rod, then firmly attach the ceiling adaptor to the upper section of the rod.
3. Pass the main wire through the canopy. Attach the canopy on the ceiling adaptor using nuts, ground terminals, and washers.
4. Attach the mounting plate to the electrical junction box using supplied mounting screws.
5. Connect the fixture wires (neutral, live and ground wire) and the wires reserved on the junction box with wire nuts respectively, then insulate all connections with electrical tape and neatly tuck wires into the junction box.
- 6-7. Place the canopy onto the mounting plate and tighten the cap nut to fix the canopy in place.
8. Assemble the bulbs (not included).

**Note:** please use this product accordingly to its intended purpose, do not retrofit or remodeling the product. The warranty does not cover if the failure is caused by the third party product, or natural disasters.