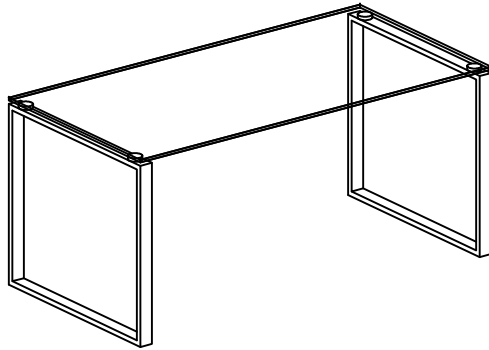
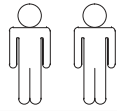
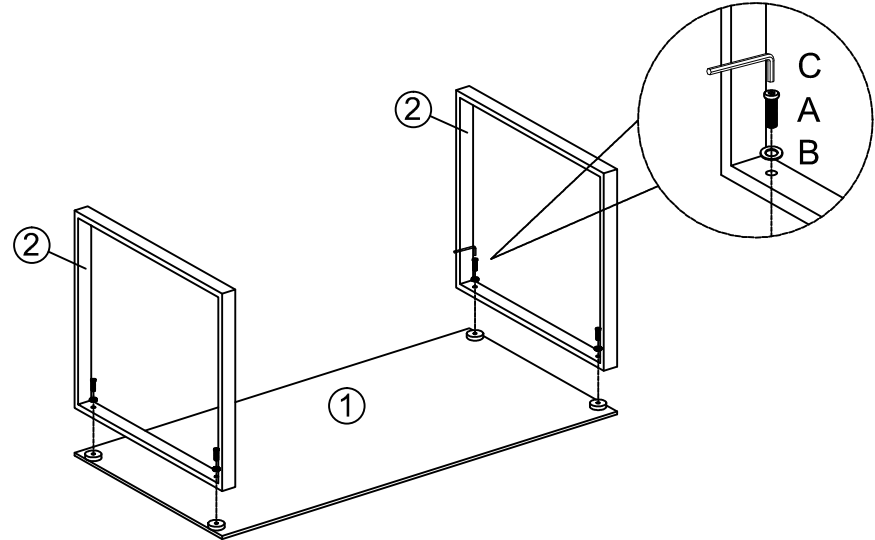


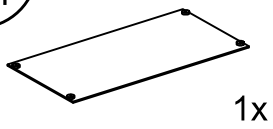
ASSEMBLE INSTRUCTION



①

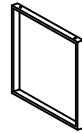


1



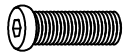
1x

2



2x

A



M8

4x

B



4x

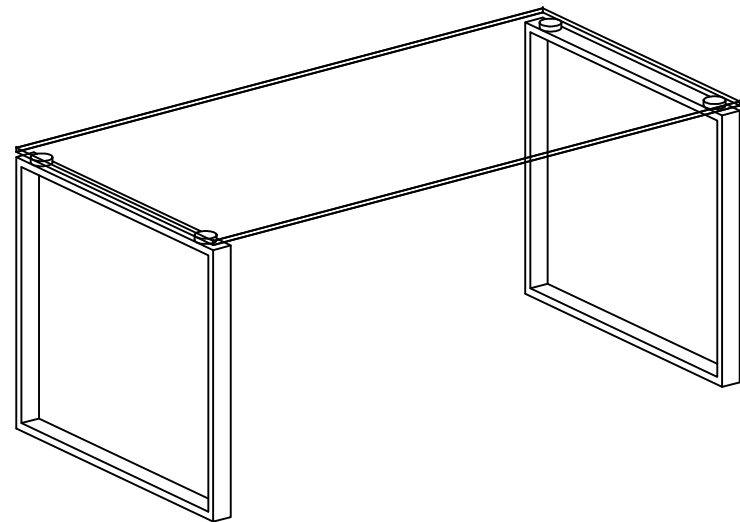
C



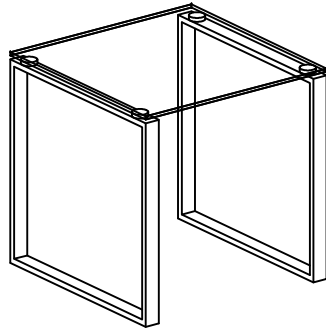
M5

1x

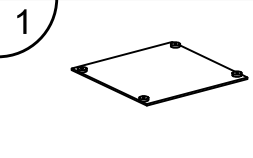
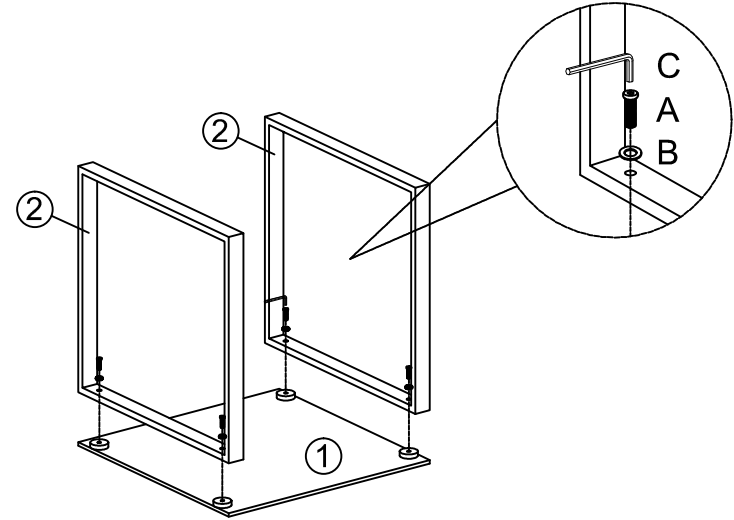
②



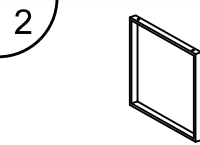
ASSEMBLE INSTRUCTION



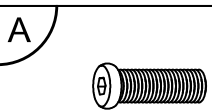
①



1x

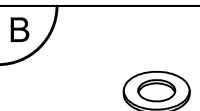


2x

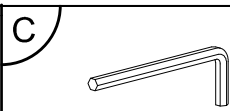


M8

4x



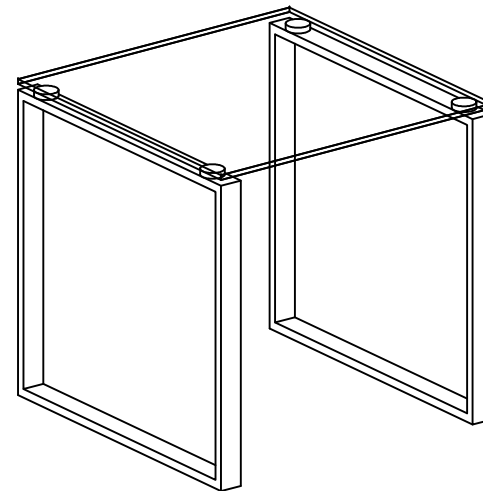
4x



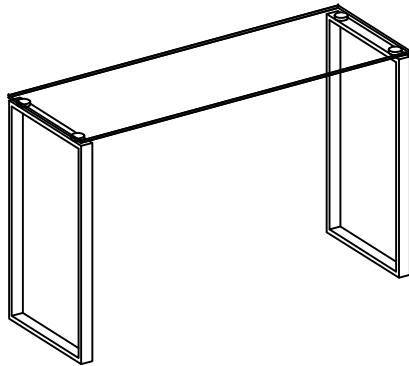
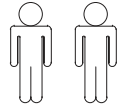
M5

1x

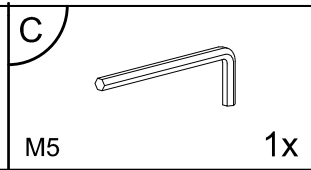
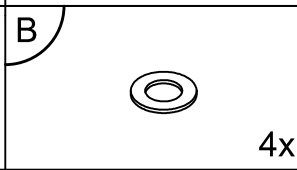
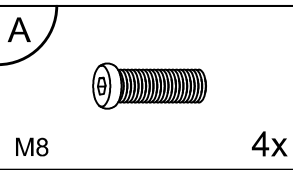
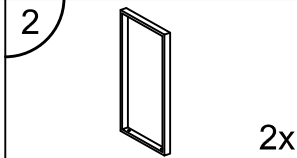
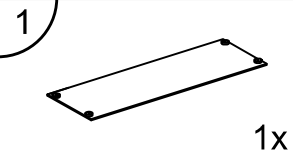
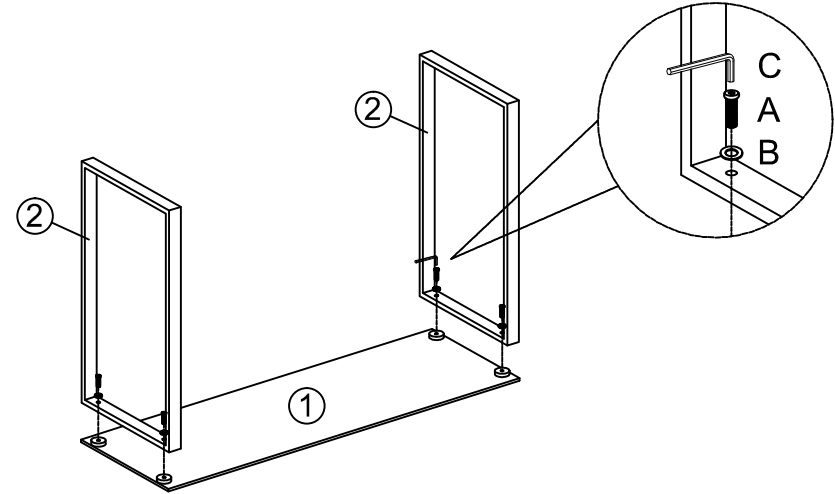
②



ASSEMBLE INSTRUCTION



①



②

