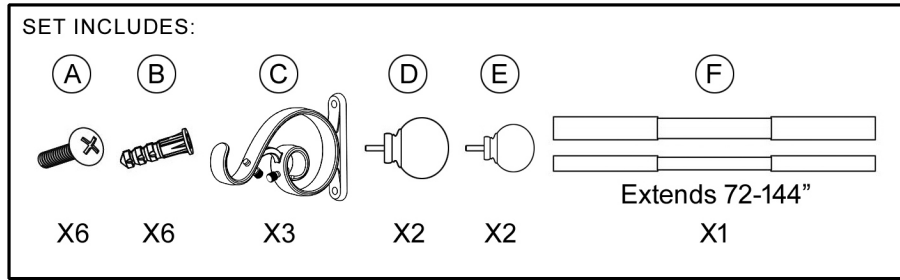


7/8" DRAPERY ROD INSTALLATION INSTRUCTIONS - 72-144" DOUBLE ROD SET

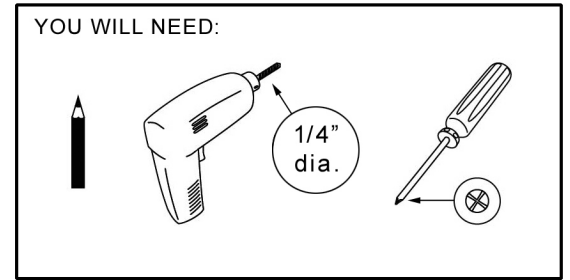
Care Instructions: Clean with a soft cloth. Do not use abrasive cleaning agents, solvents or polishes.

SET INCLUDES:



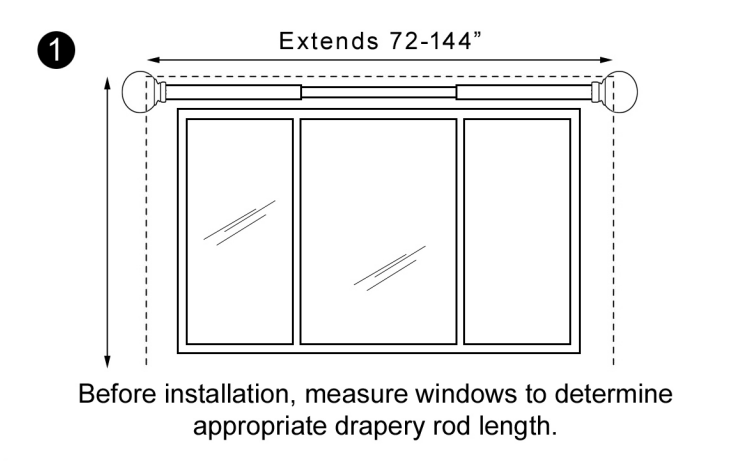
A X6 B X6 C X3 D X2 E X2 F X1
 Extends 72-144"

YOU WILL NEED:



1/4" dia.

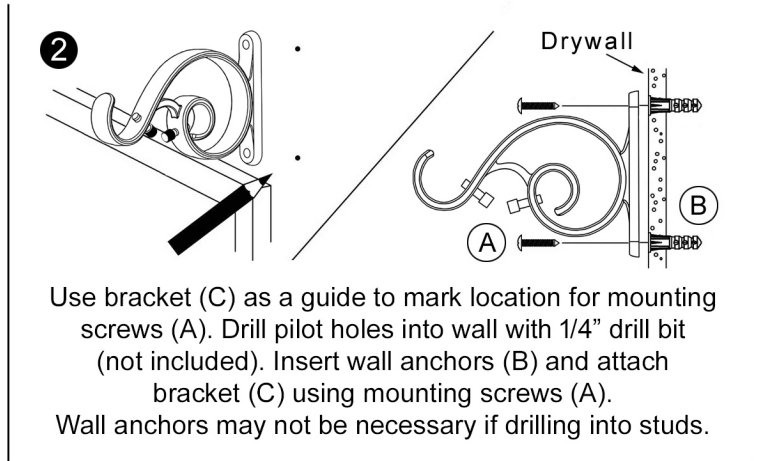
1



Extends 72-144"

Before installation, measure windows to determine appropriate drapery rod length.

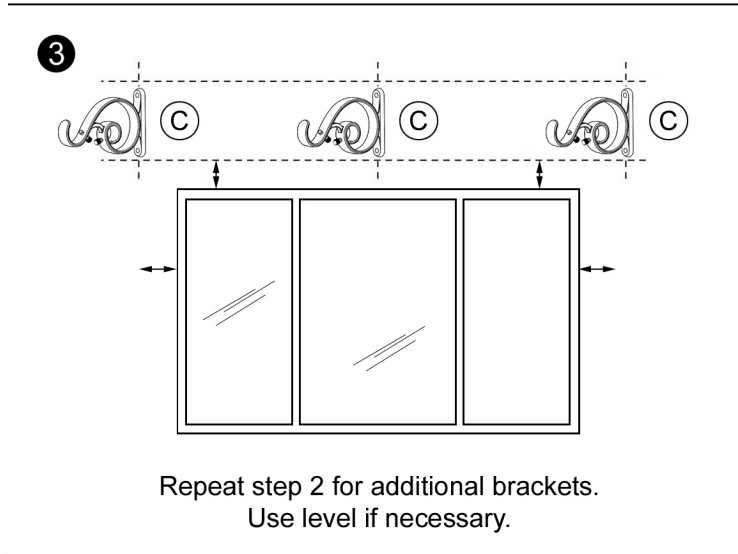
2



Drywall

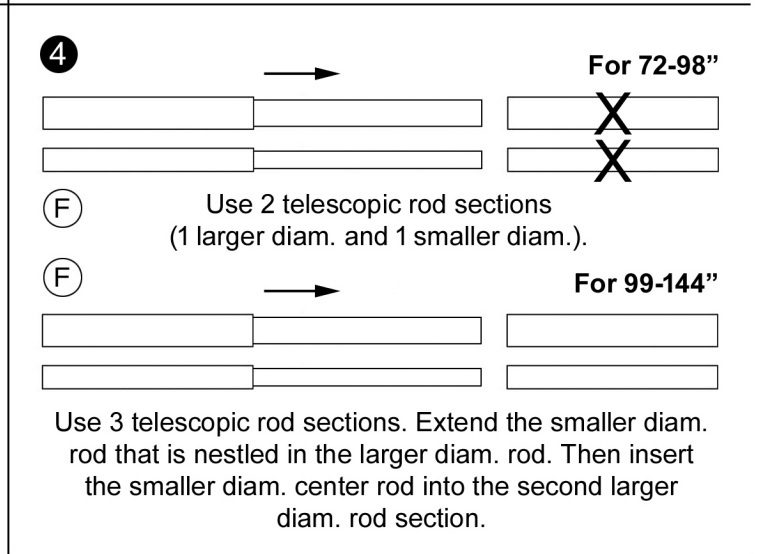
Use bracket (C) as a guide to mark location for mounting screws (A). Drill pilot holes into wall with 1/4" drill bit (not included). Insert wall anchors (B) and attach bracket (C) using mounting screws (A). Wall anchors may not be necessary if drilling into studs.

3



Repeat step 2 for additional brackets. Use level if necessary.

4



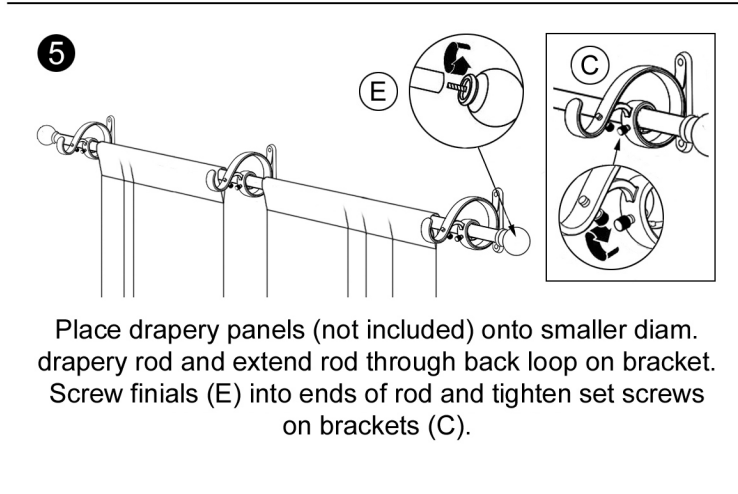
For 72-98"

(F) Use 2 telescopic rod sections (1 larger diam. and 1 smaller diam.).

For 99-144"

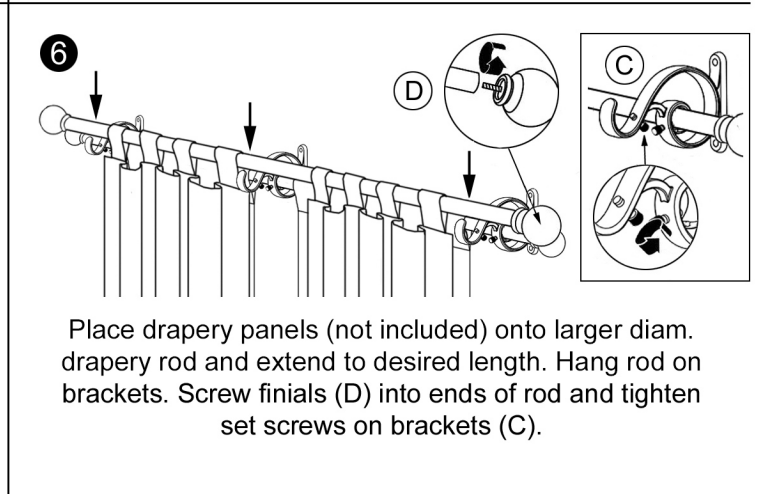
Use 3 telescopic rod sections. Extend the smaller diam. rod that is nestled in the larger diam. rod. Then insert the smaller diam. center rod into the second larger diam. rod section.

5



Place drapery panels (not included) onto smaller diam. drapery rod and extend rod through back loop on bracket. Screw finials (E) into ends of rod and tighten set screws on brackets (C).

6



Place drapery panels (not included) onto larger diam. drapery rod and extend to desired length. Hang rod on brackets. Screw finials (D) into ends of rod and tighten set screws on brackets (C).