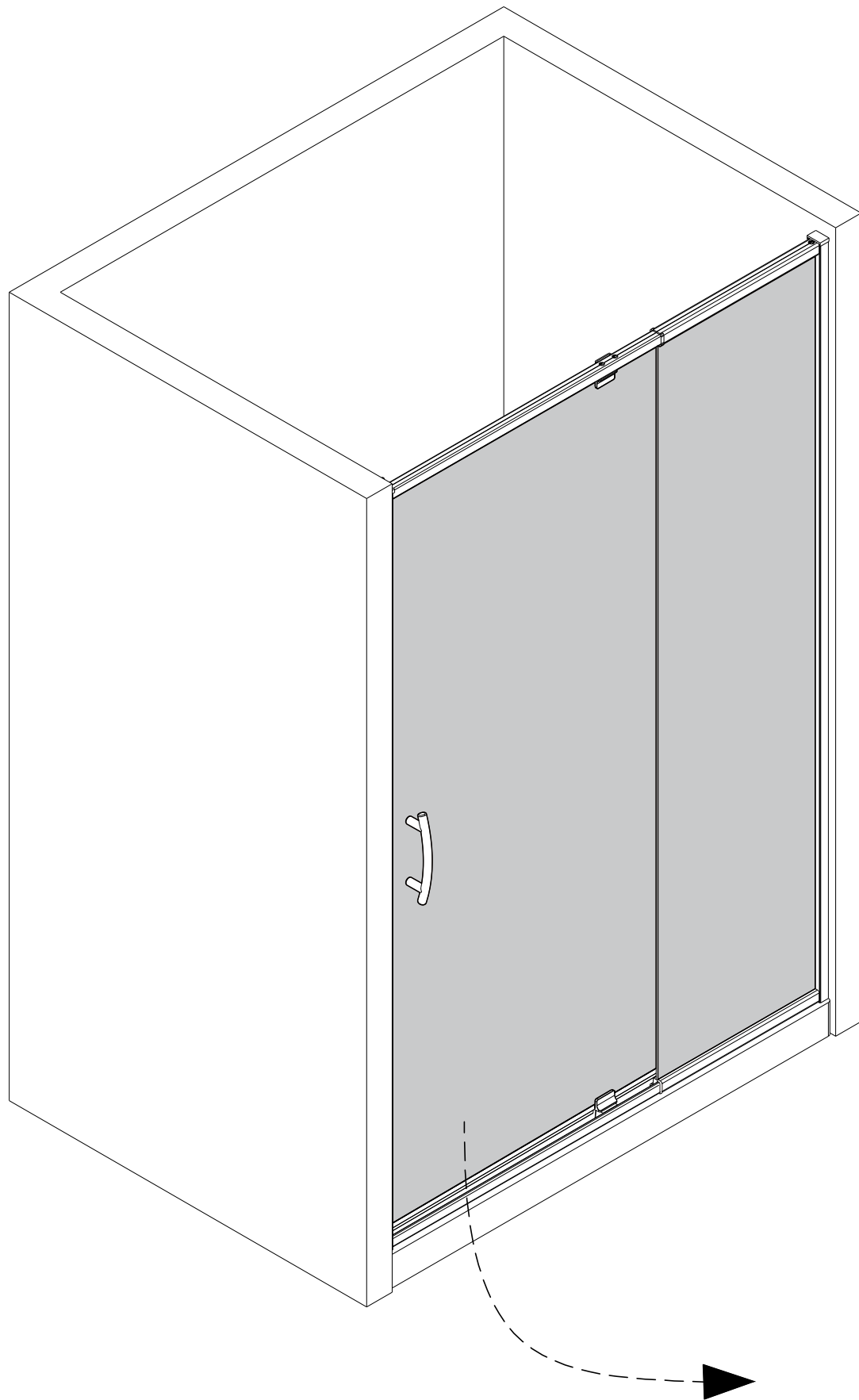


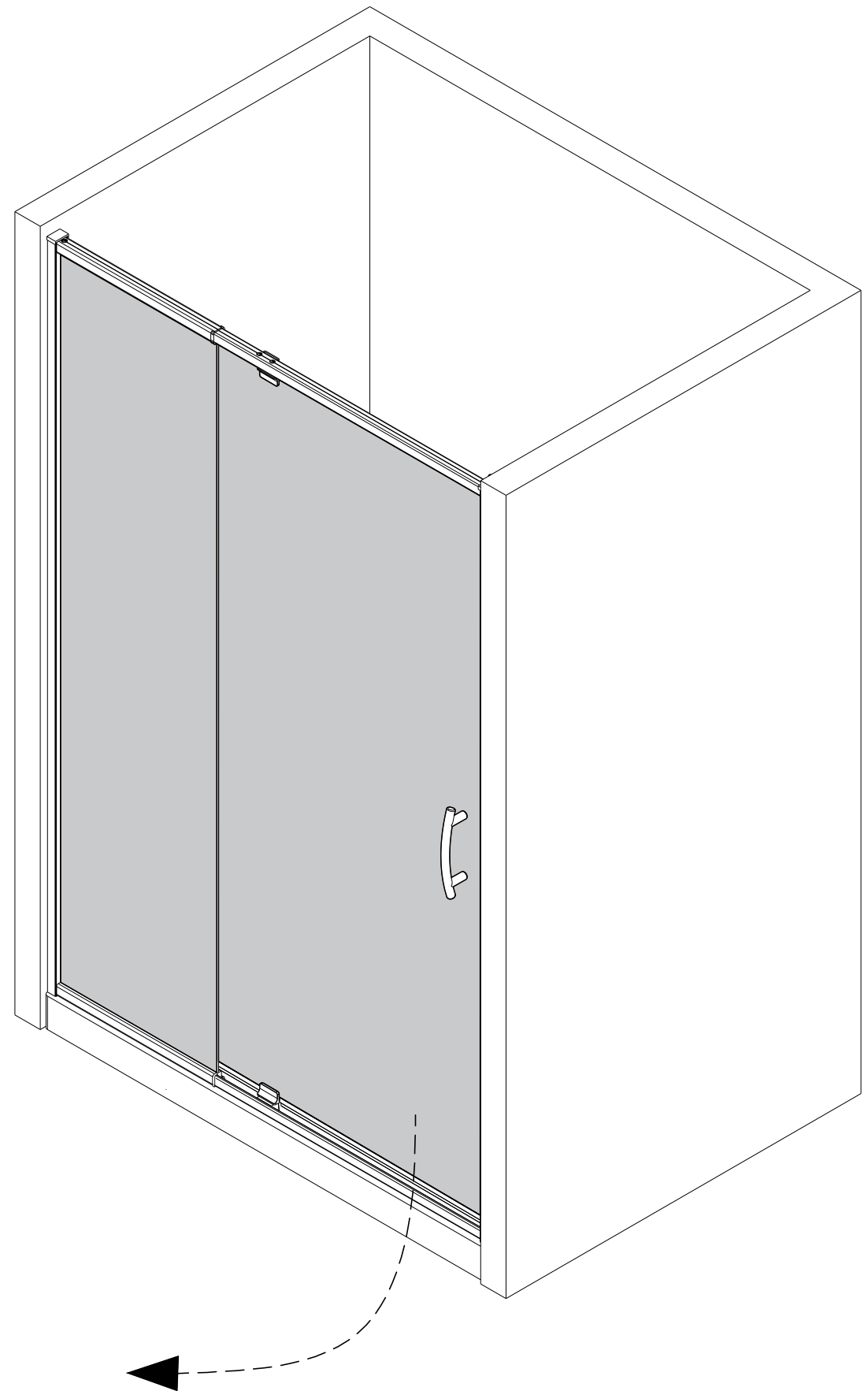
Serial Number: SDP03-22

R1.0

Shower Door Installation Instructions



Right-hand door installation shown



Left-hand door installation shown



NOTE: This model is reversible for left or right-hand door installation.
This manual will show the Left-hand door installation as an example throughout.

**Please do not return the product to the store.
Contact us with any questions.**

Model Specific Preparation

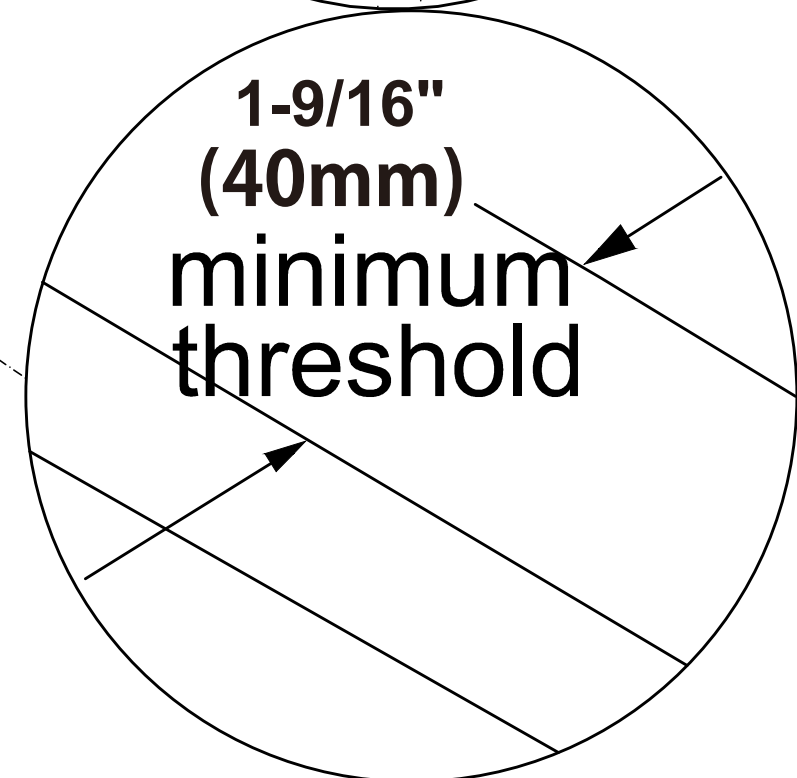
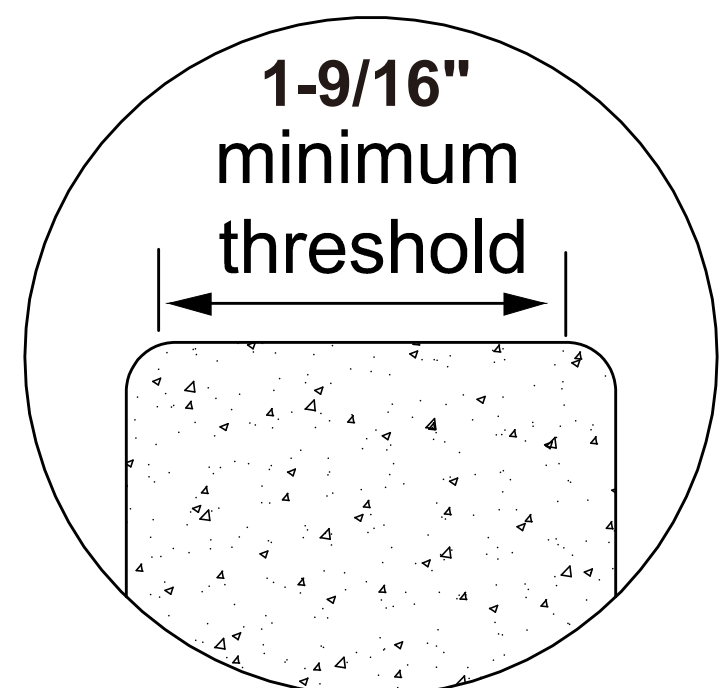
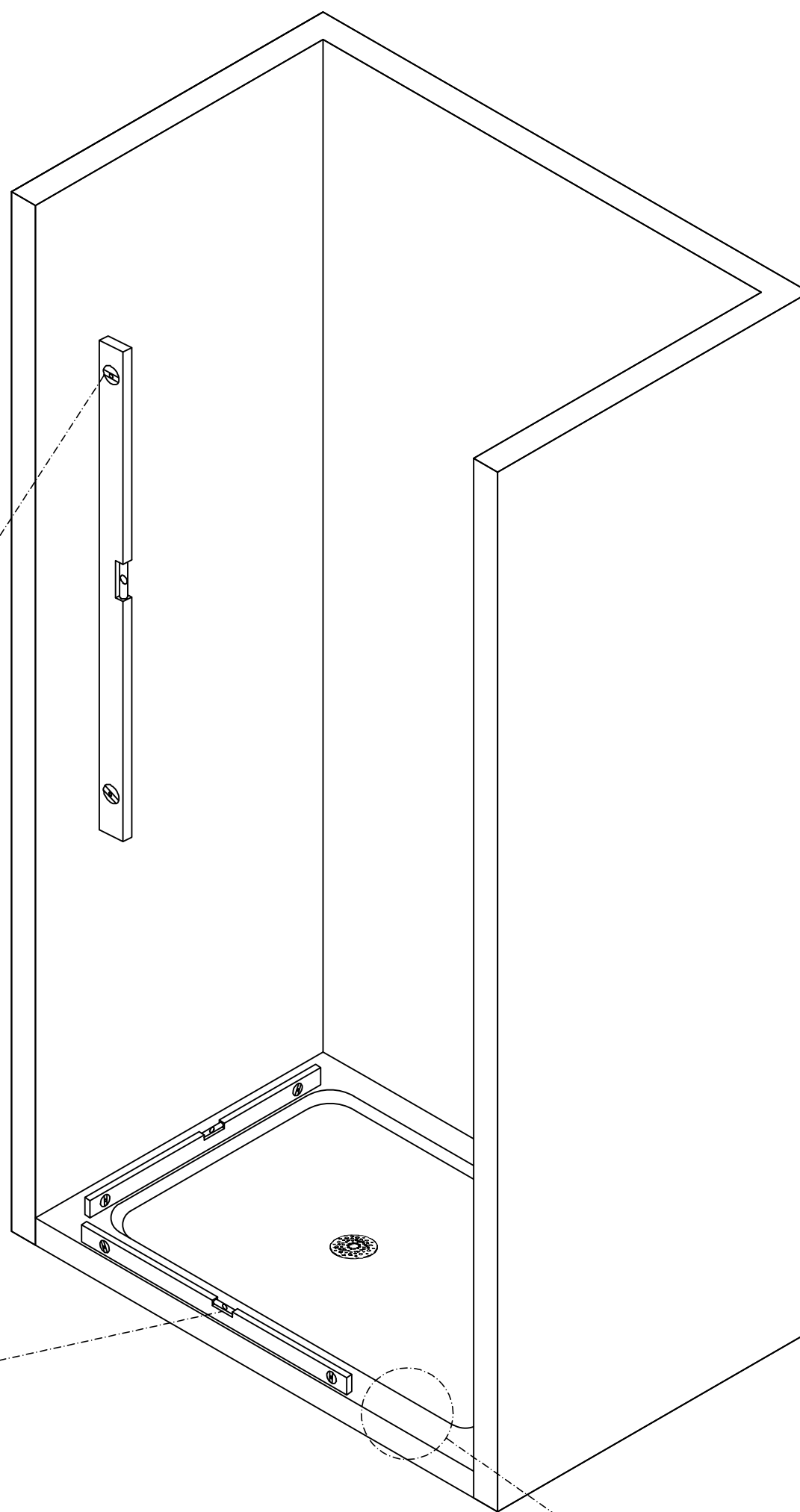
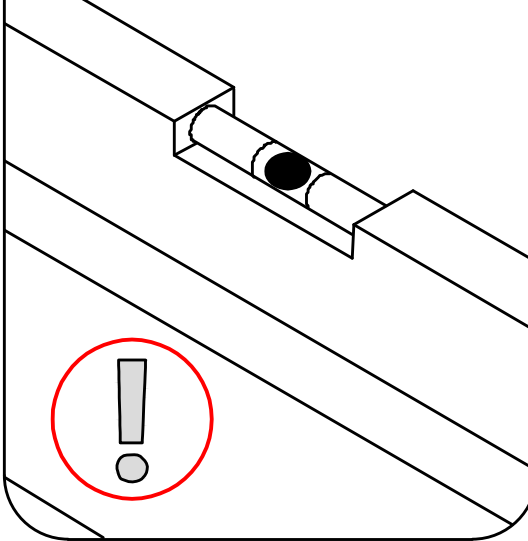


REQUIRED:

Verify threshold and wall with a level.

3/8" (10mm) Maximum out of plumb adjustment from top to bottom

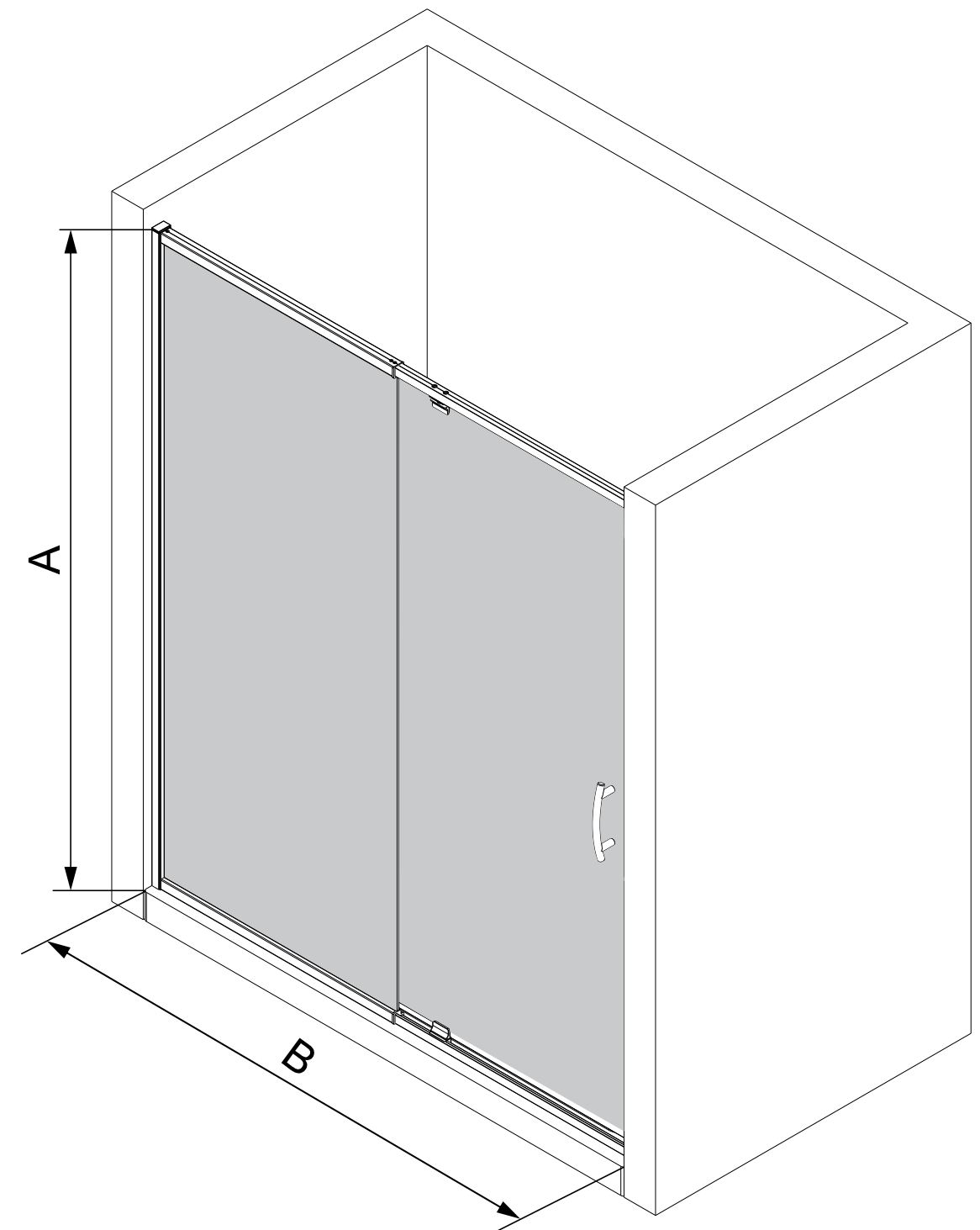
Threshold must be level



Model Dimensions

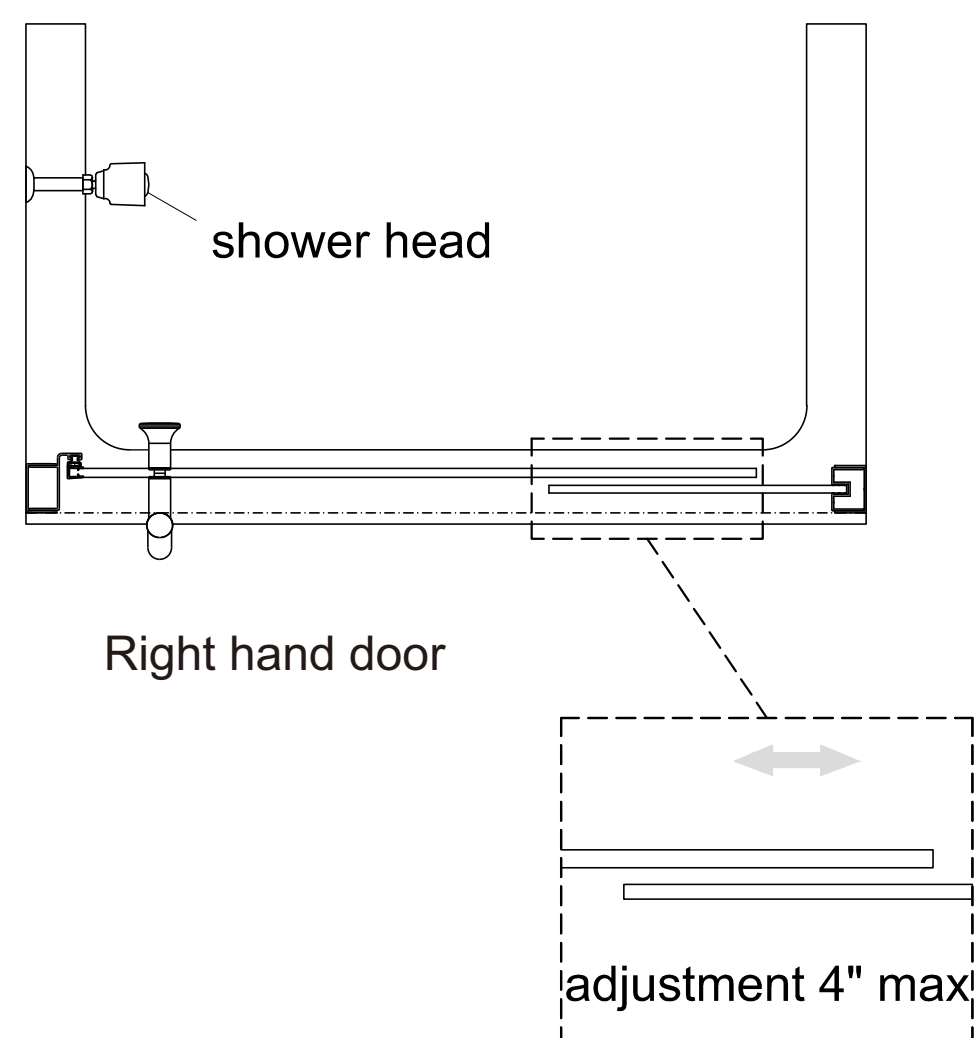
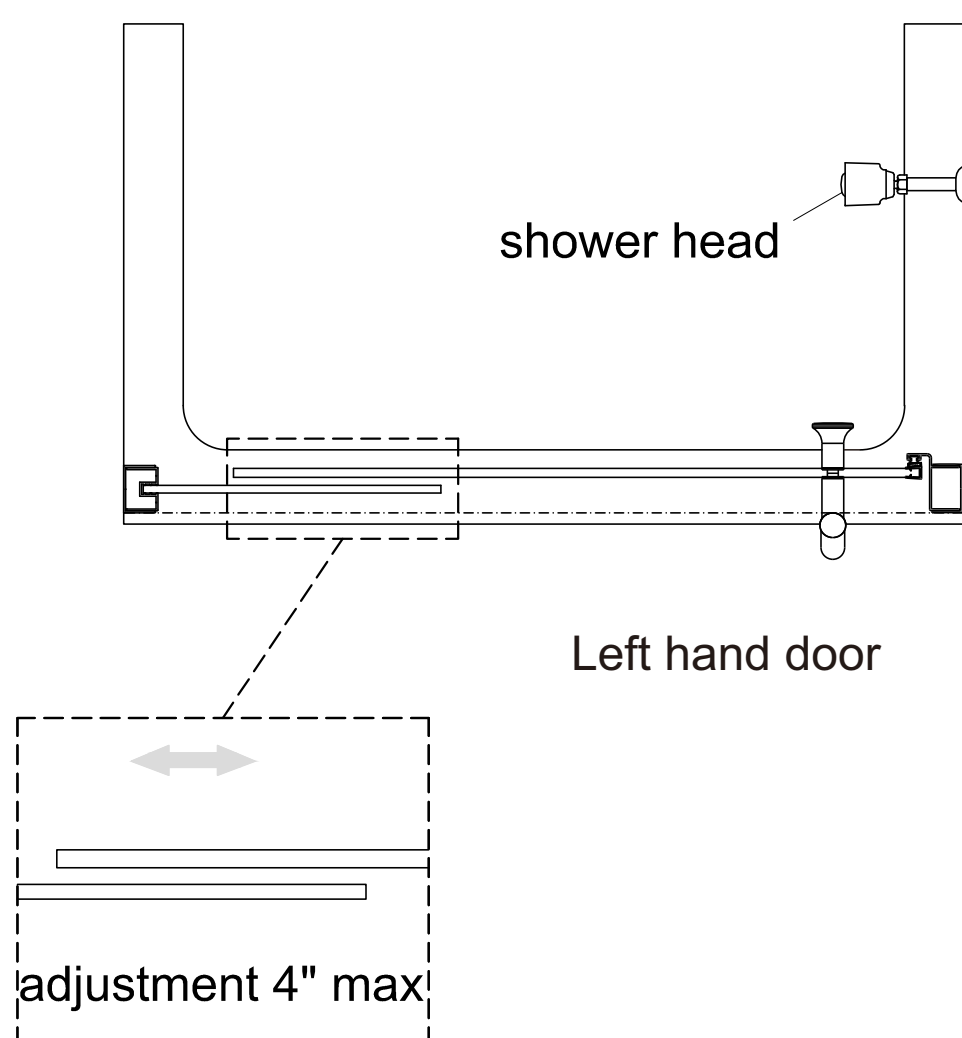
configuration dimensions:

A Product Height	B Model width	Installation width
71"	42"	38" ~42"
	48"	44" ~48"
	54"	50" ~54"
	60"	56" ~60"
72"	32"	28" ~32"
	36"	32" ~36"

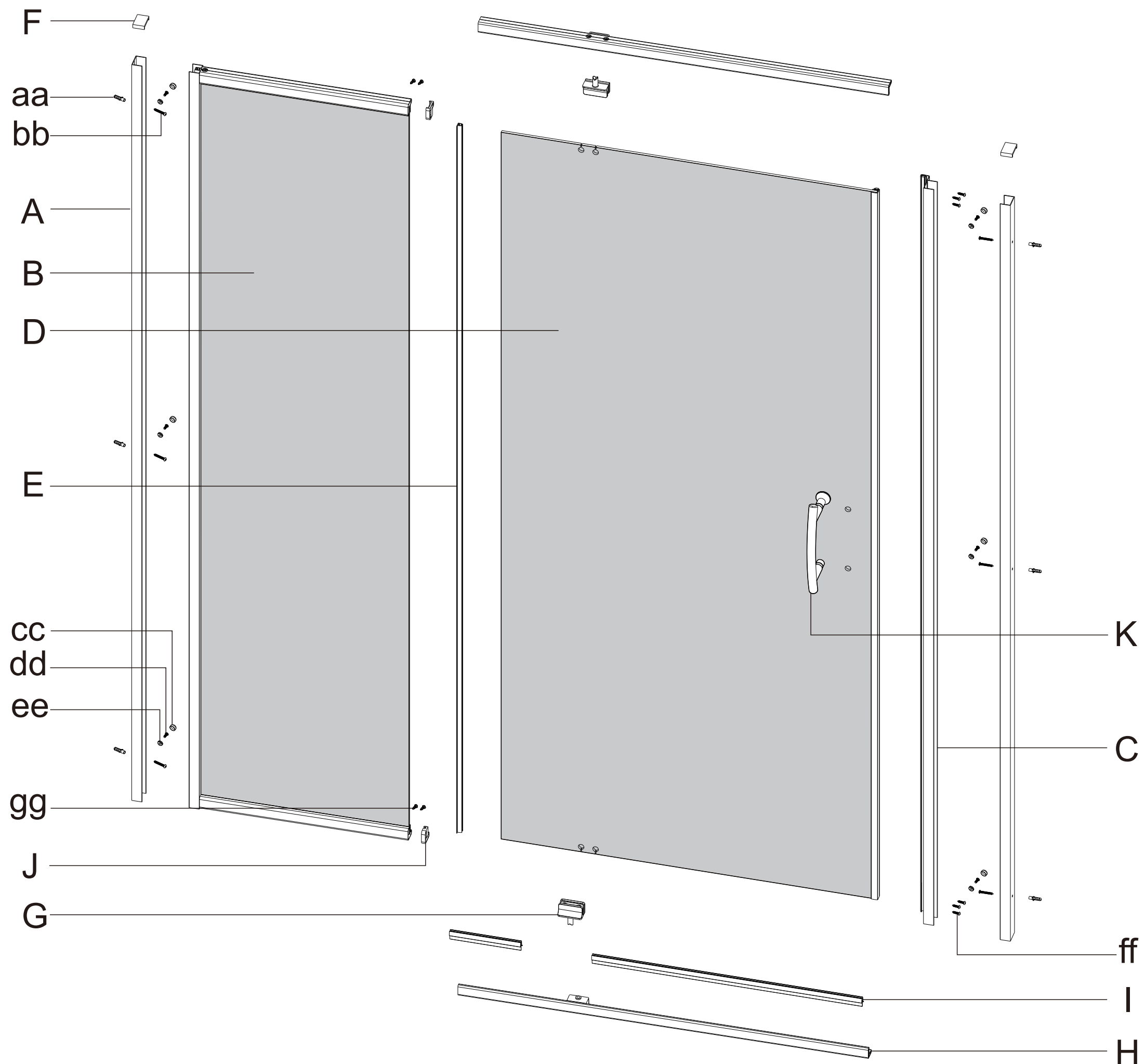


NOTE

This model is reversible for right or left-hand door installation. The Left-hand door installation is shown throughout this manual. For the Right-hand door installation, simply begin on the opposite wall and reverse the orientation of the installation steps shown.



PACKAGE CONTENT



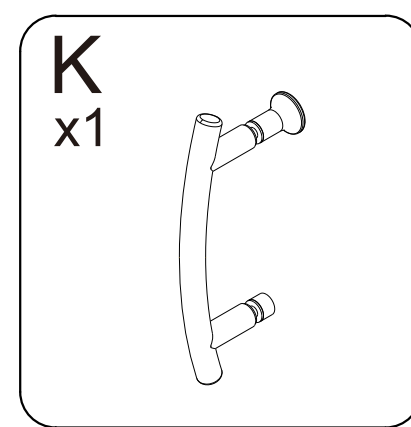
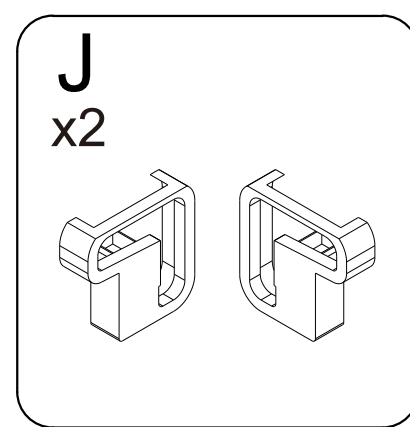
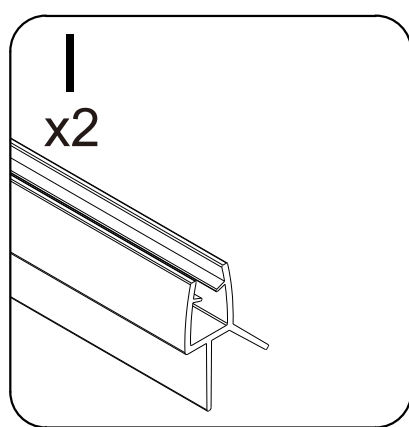
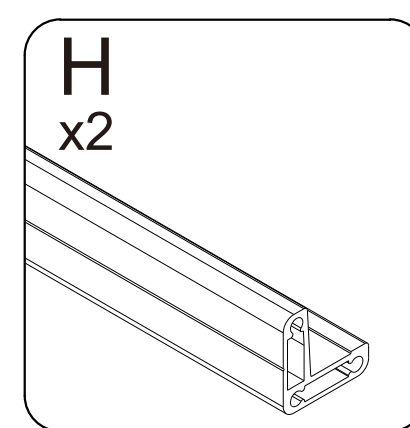
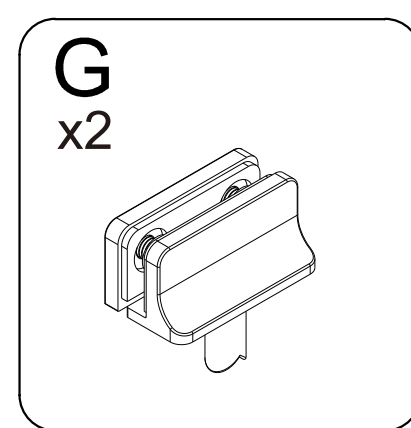
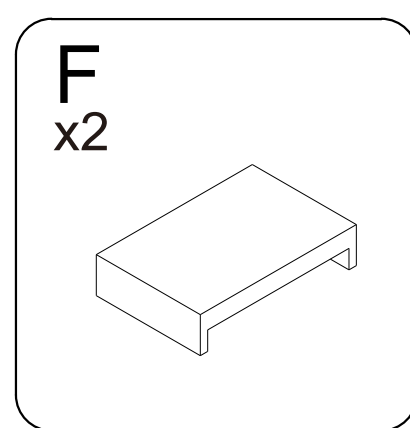
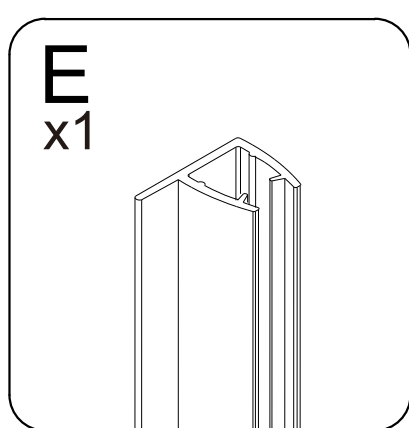
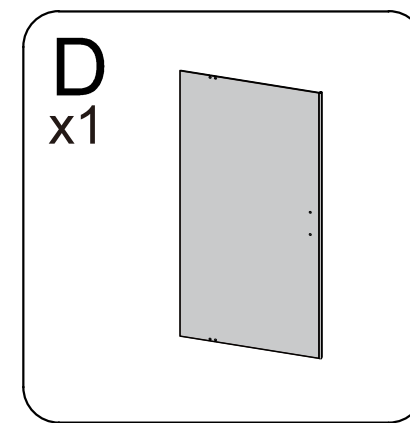
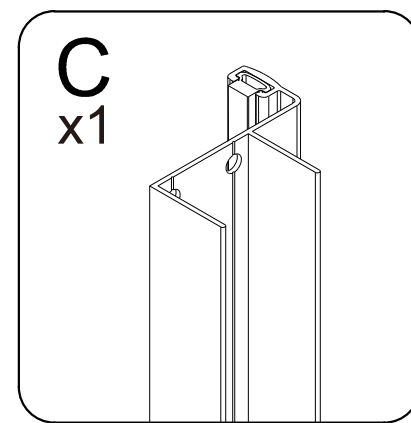
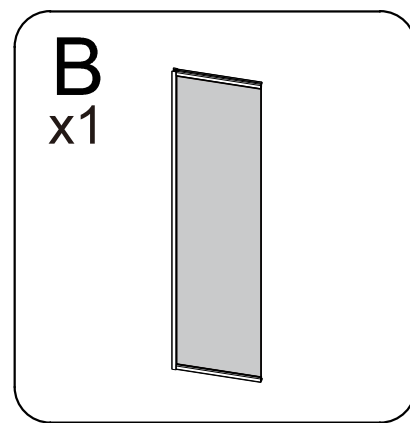
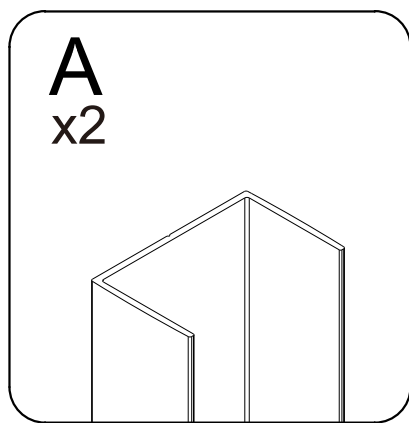
PACKAGE CONTENT

PART#	DESCRIPTION	QTY	PART#	DESCRIPTION	QTY
A	Wall Jamb	2	G	Pivot	2
B	Stationary Glass	1	H	Top & Bottom Rail	2
C	Magnetic Strike Profile	1	I	Bottom Anti-Water Strip	2
D	Glass door	1	J	Expandable rails cap	2
E	Anti-Water Strip	1	K	Handle	1
F	Wall Jamb Cover	2			

NOTE

Inspect all parts for missing prior to installation!
Contact us for any part missing.

PACKAGE CONTENT

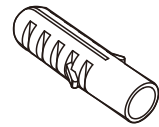


HARDWARE CONTENT



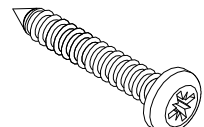
Additional spare parts are included.

aa



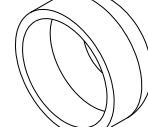
Screw anchor
Ø6x28mm
7 pcs

bb



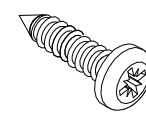
Metric Screw
ST4X30mm
7 pcs

cc



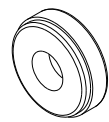
Screw cap
6 pcs

dd



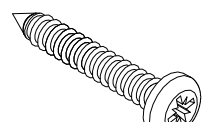
Metric Screw
ST4X12mm
6 pcs

ee



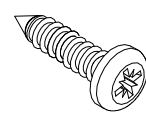
Washer
Φ10XΦ5X1.0
6 pcs

ff



Metric Screw
ST4X16mm
6 pcs

gg



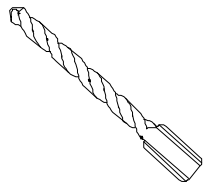
Metric Screw
ST4X12mm
4 pcs

NOTE

Inspect all parts for missing prior to installation!
Contact us for any part missing.

TOOLS REQUIRED

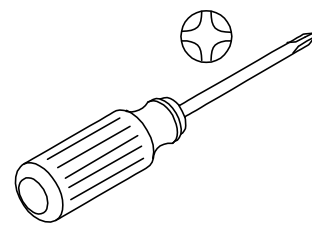
Drill Bits



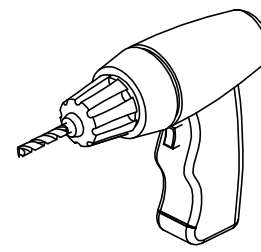
Ø1/8" & Ø1/4" (3 & 6mm) dia.

HSS

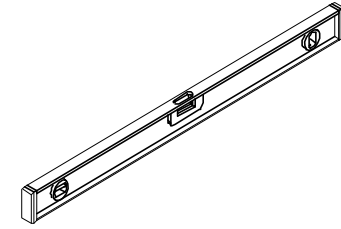
Screw Driver



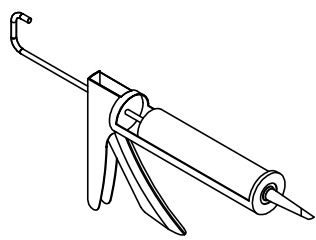
Drill



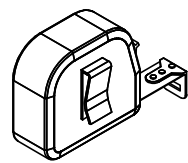
Level



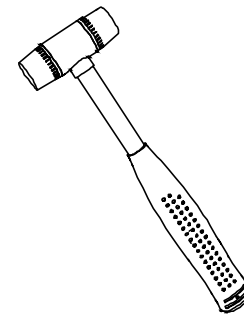
Silicone



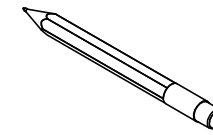
Measuring Tape



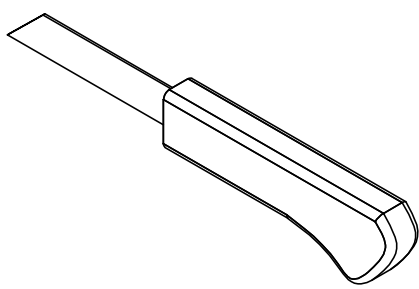
Soft Head Hammer



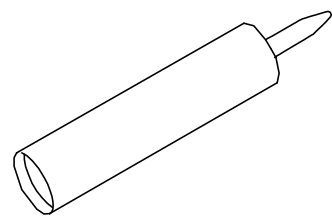
Pencil



Knife



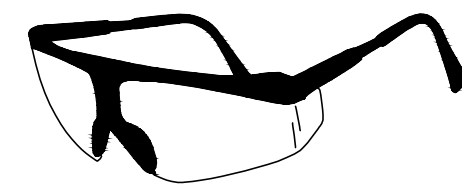
Sealant



MASONRY DRILL BIT FOR TILE
Ø6mm



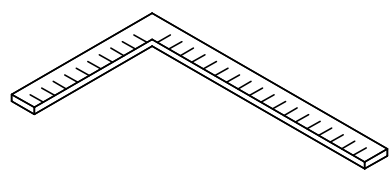
Safety Glasses



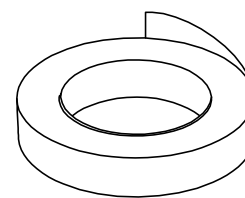
Glove



Carpenter's Squarer



Masking or painter's tape



SAFETY INFORMATION

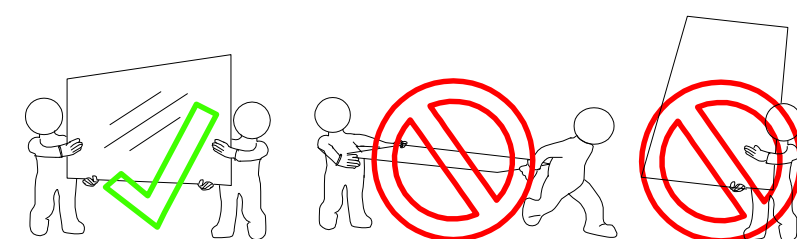
CAUTION

Please carefully read the following important safety information before handling or installing this shower. There is a risk of serious injury while handling this product.

To minimize these risks, please note:

- Always wear safety glasses and gloves while handling.
- Always follow the installation instructions.
- Inspect glass for damage before installation.
- Extreme caution should be taken while handling the glass during installation as the tempered glass may shatter if in contact with a hard surface.
- Do not cut or modify the tempered glass as it will shatter if cut.
- Carefully remove product from packaging and keep packaging until installation is complete.
- Inspect all parts for damage or missing; if there is damage or part missing to the unit prior to installation, please contact customer service at the number provided in this guide.
- Cover the drain with tape to prevent the loss of small parts.
- The shower base and finished walls should be installed before beginning the shower door installation.
- During the installation, protect the shower floor with a drop cloth to avoid damage.
- This product should be installed by two people who are familiar with construction requirements. Professional installation is recommended!
- Keep this installation manual for future reference.

NOTE: Two people should perform this installation.

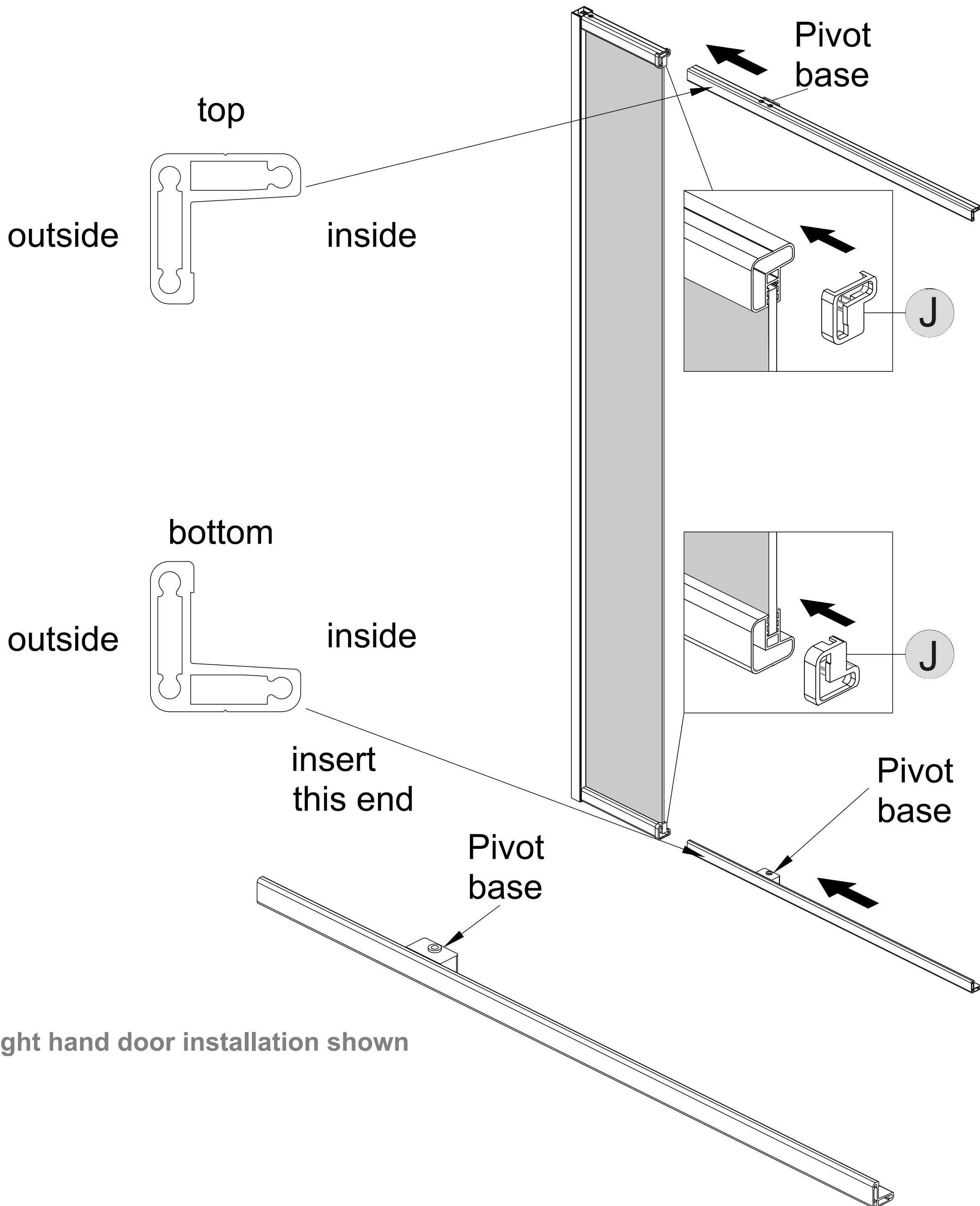


1

Top & Bottom Rails (H) & Expandable rails cap(J) Installation

NOTE

1. Insert the **Expandable Rails Cap (J)** into the expandable rails of the **Stationary Glass (B)**.
2. Insert the **Top & Bottom Rails (H)** into the expandable rails of the **Stationary Glass (B)**. Insert the end that is closest to the pivot base.

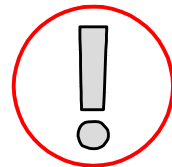
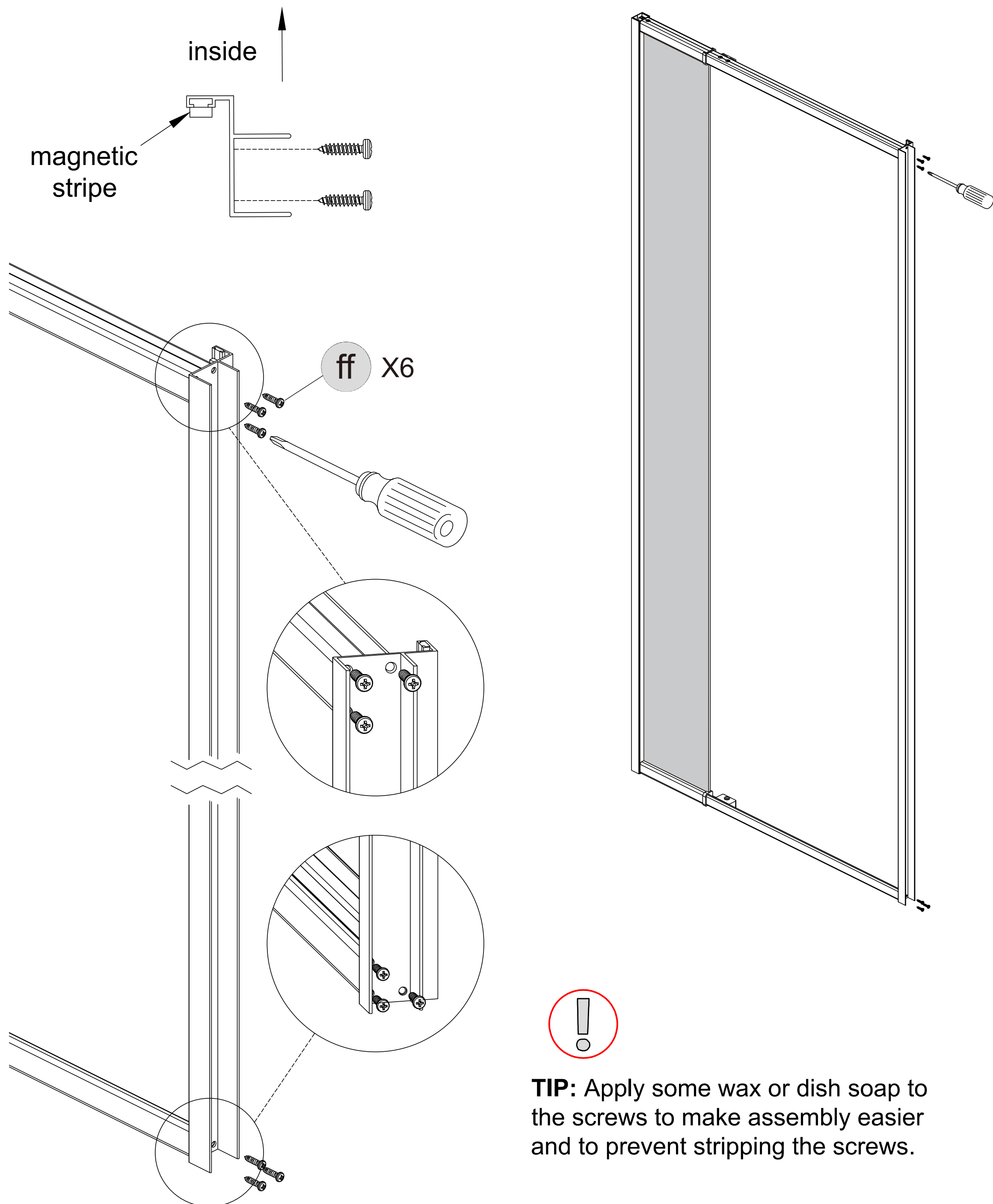


Right hand door installation shown

2 Magnetic Strike profile (C) Installation

NOTE

Attach the **Magnetic Strike Profile (C)** to the **Top & Bottom Rails (H)** using 6pcs of the **ST4 x 16 Screws (ff)**. (The side with magnetic stripe is inside)



TIP: Apply some wax or dish soap to the screws to make assembly easier and to prevent stripping the screws.

3 Wall Jamb (A) Installation

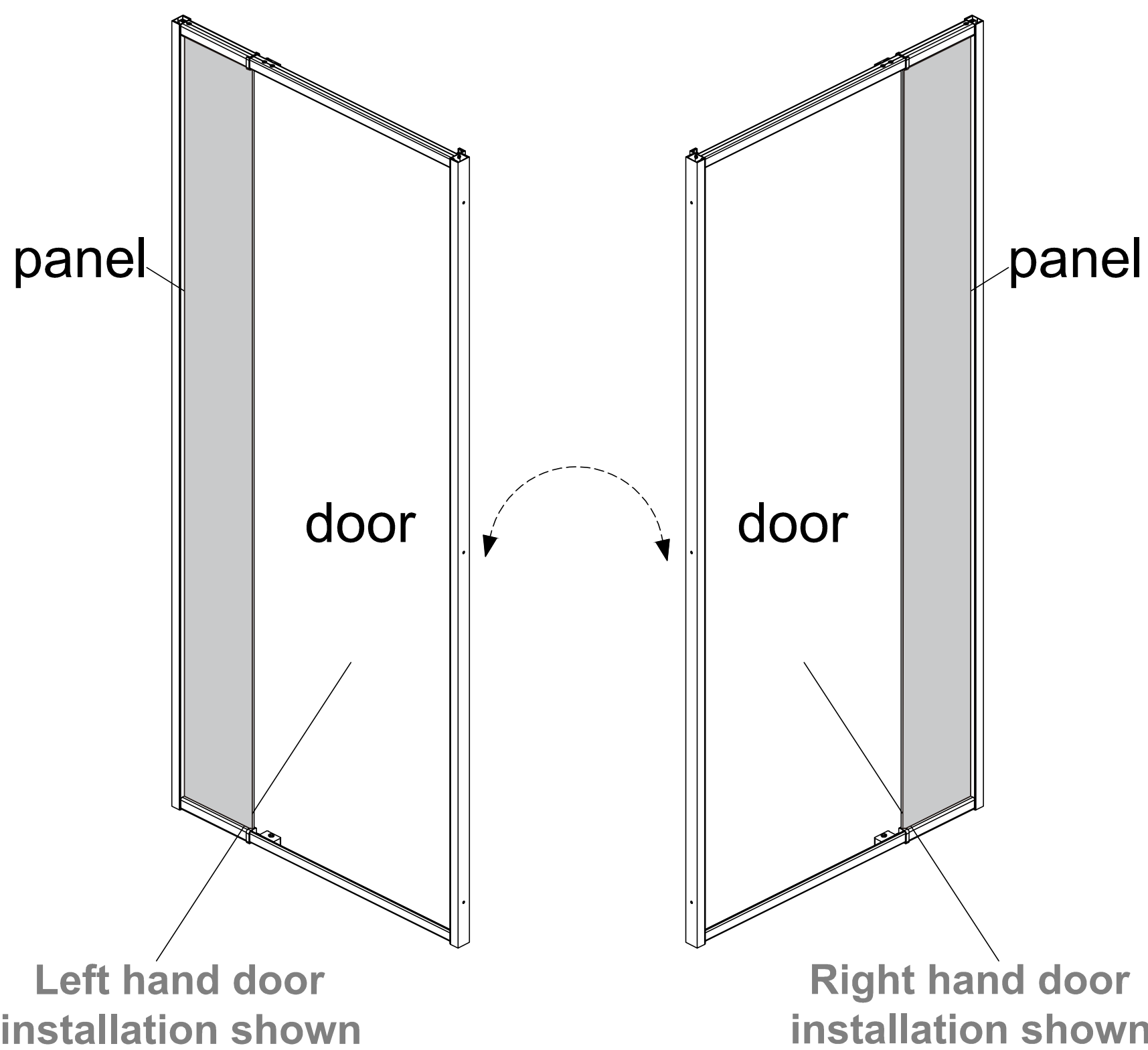
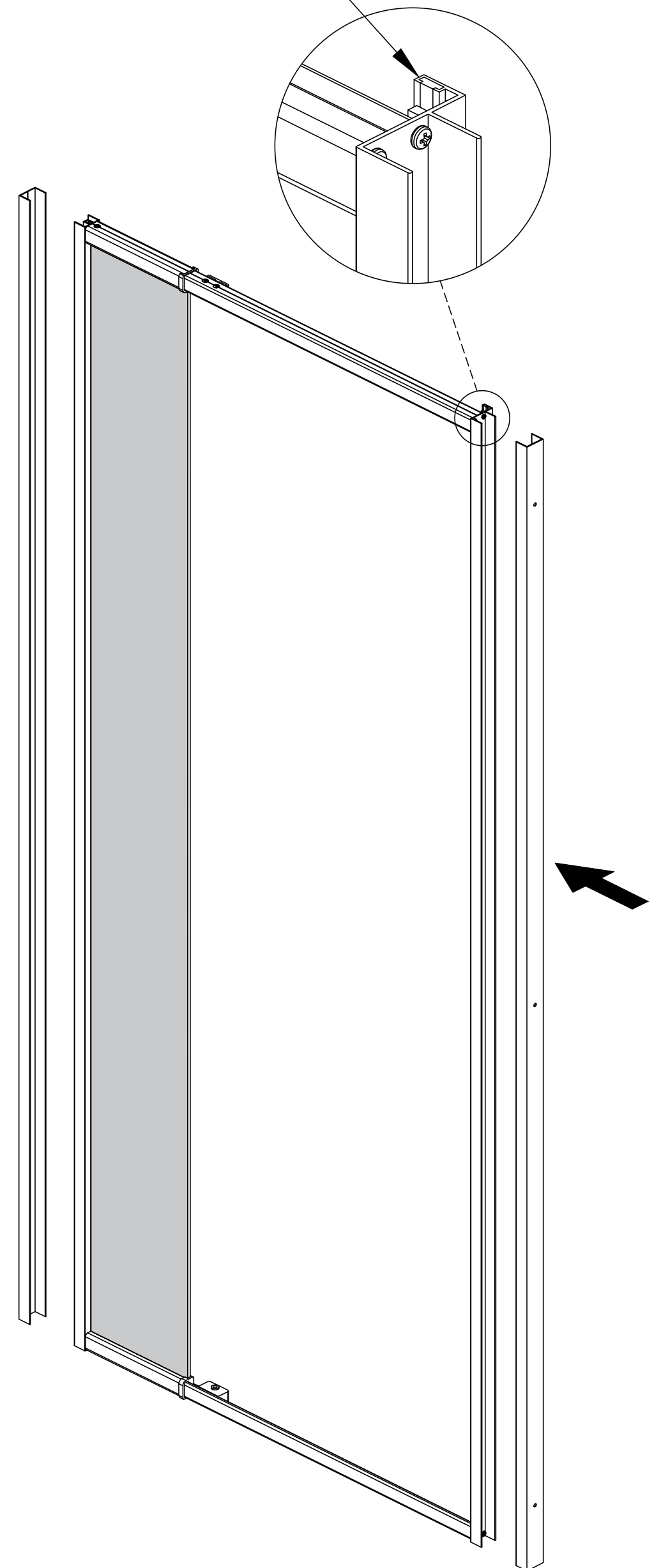
NOTE

Slide both of the the **Wall Jamb (A)** over the frame assembly. Be sure that the flange on the **Magnetic Strike Profile (C)** faces towards the shower.

NOTE

At this point, the entire assembly can be flipped for either left or right hand door installation. However, the flange on the wall profiles must face into the shower.

flange

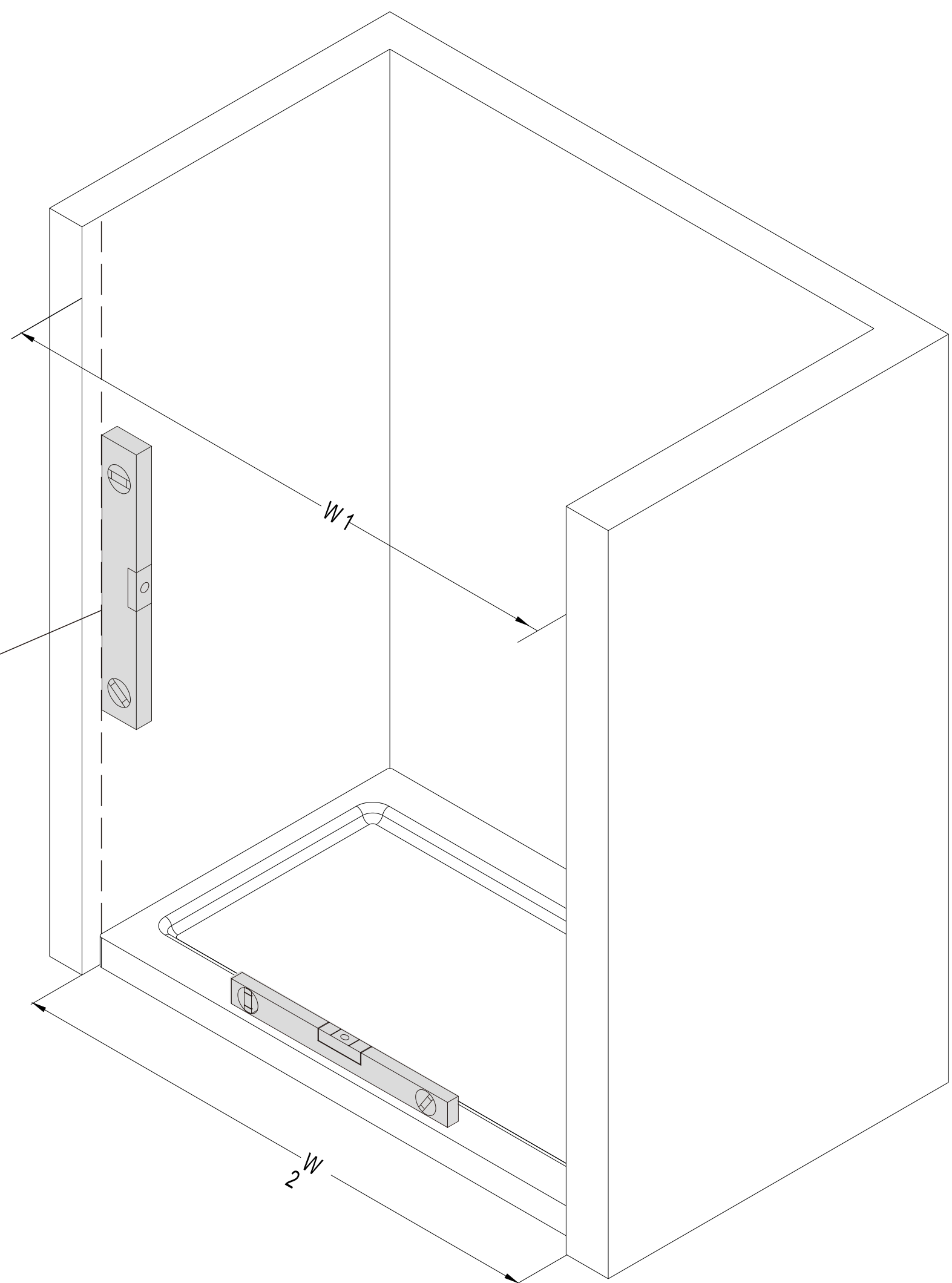


4 Measure the finished opening width.

NOTE

1. Measure the finished opening width at the bottom and at the model height.
- Use these dimensions as "W1" (top) and "W2"(bottom) in step #2.
2. Also check the threshold for level and the walls for plumb.

3/8"(10mm) Maximum out of plumb adjustment from top to bottom



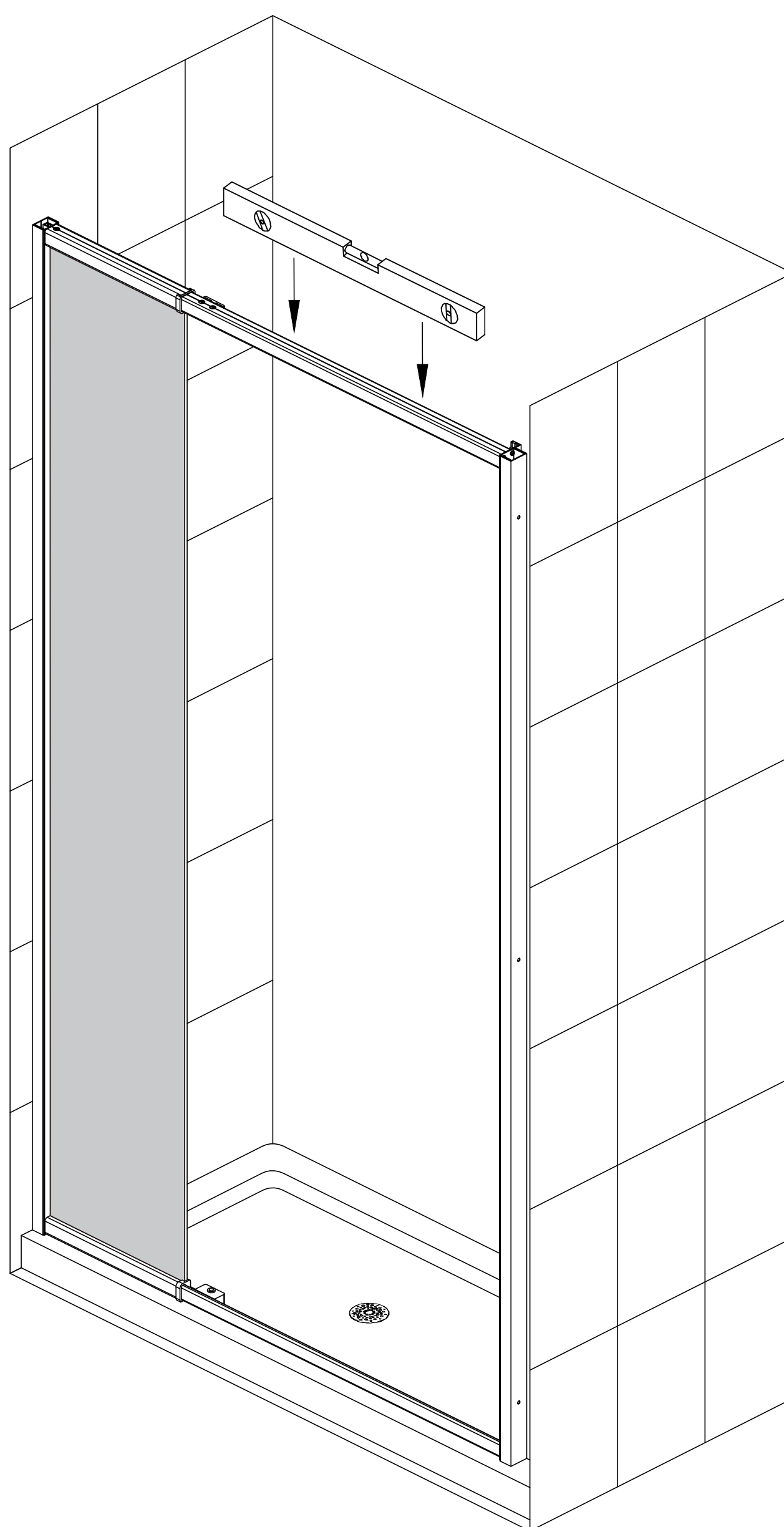
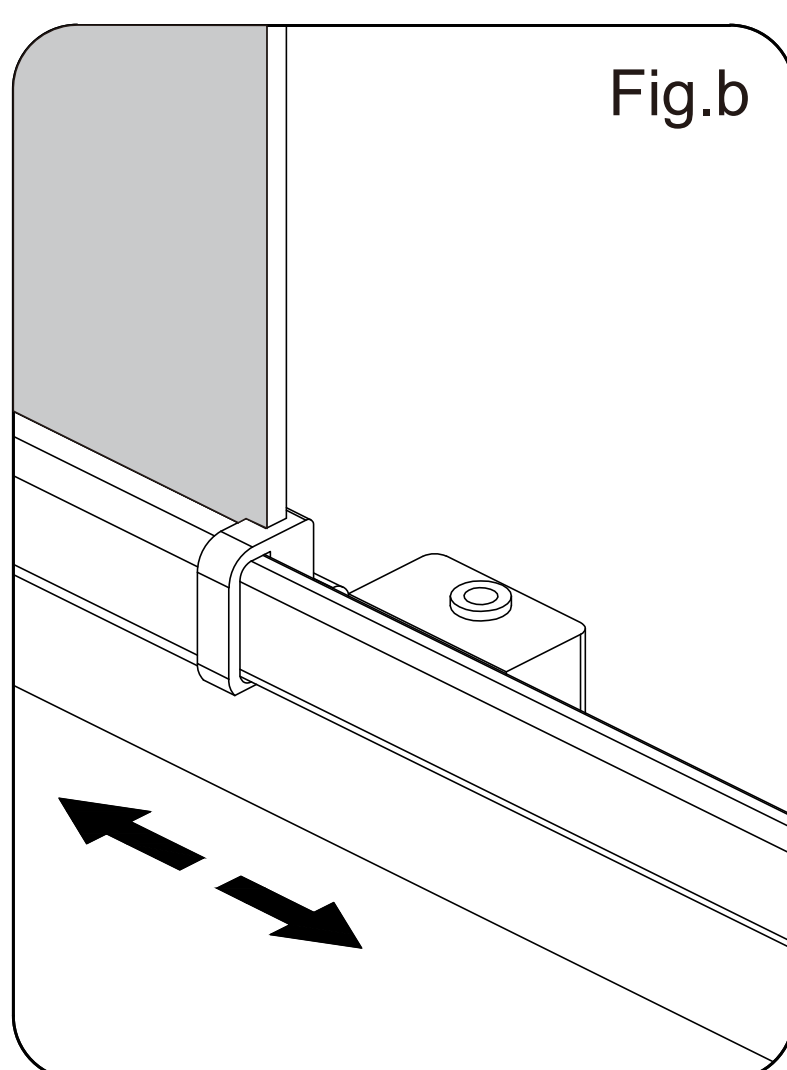
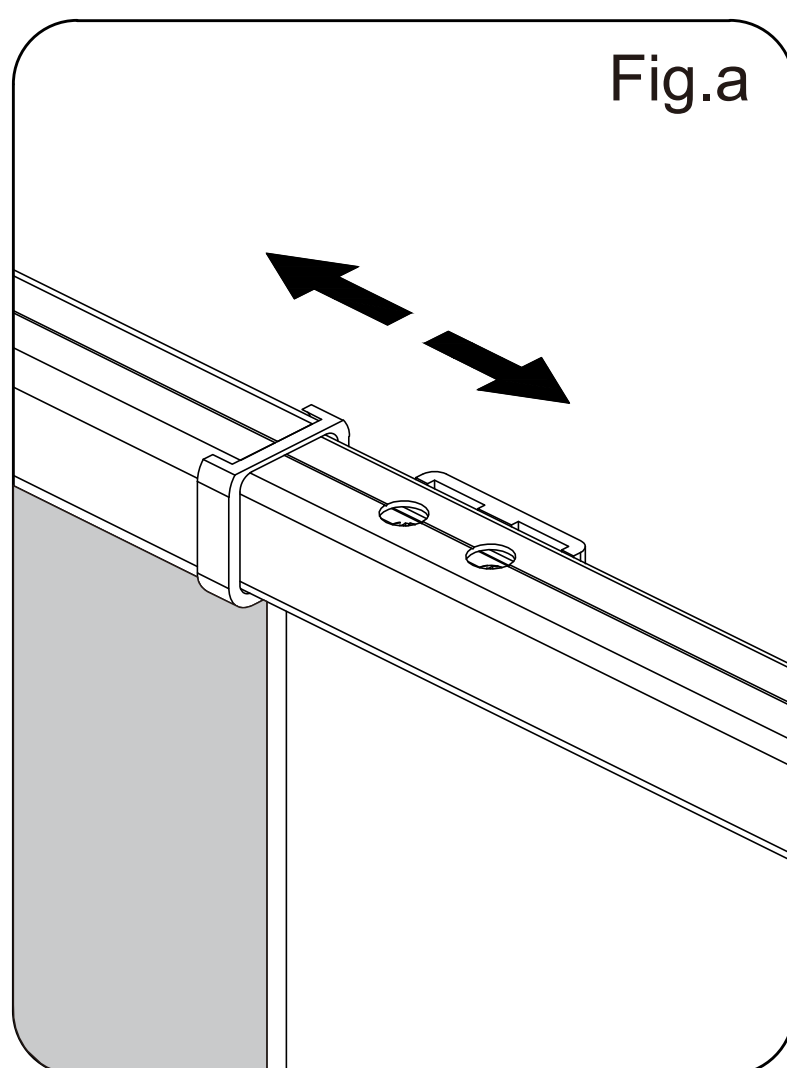
_____ Finished opening top (W1)

_____ Finished opening bottom (W2)

5 Door Assembly Adjustment

NOTE

Place the assembly onto the threshold at the desired location and extend the expandable **Top & Bottom Rails (H)** evenly as Fig.a and Fig.b .

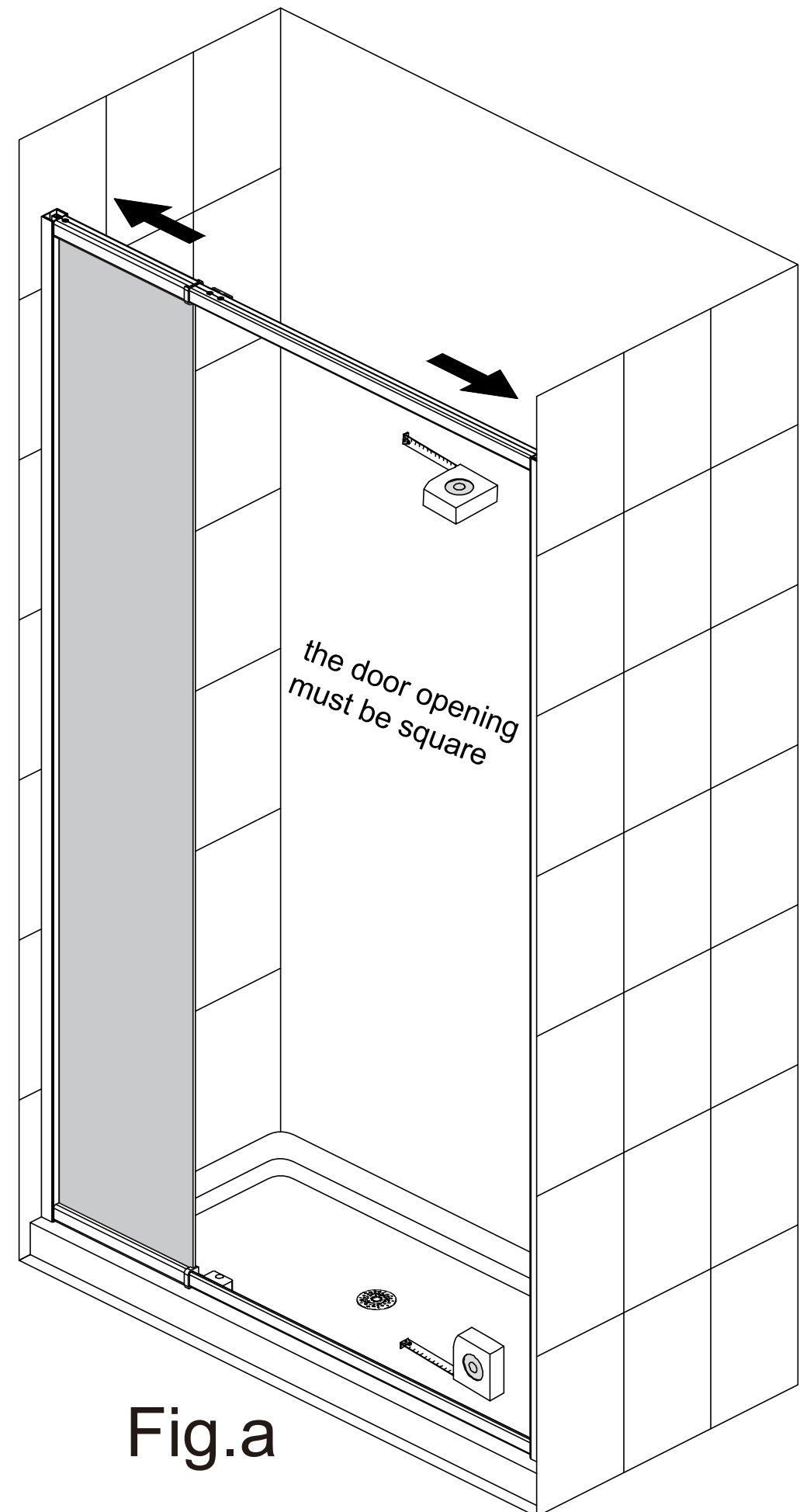


Note: The shower door can be installed left or right, according to the need to determine the installation direction.

6 Wall Jamb (A) Location

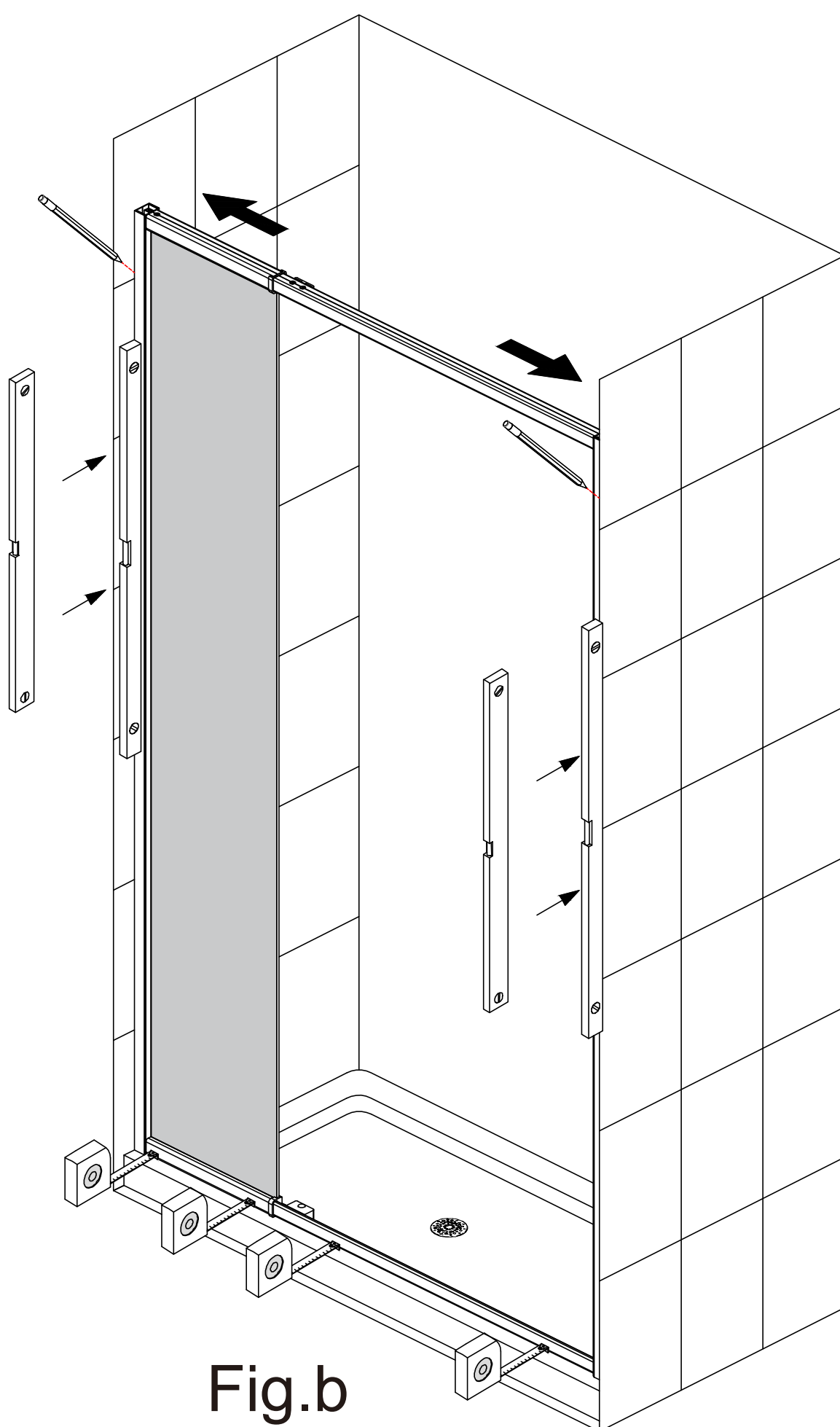
NOTE

The opening for the door glass must be square. Measure the top and bottom of the door opening and adjust the Expandable rails as necessary. Push the **Wall Jamb (A)** tight to the walls to compensate for up to 1/2" out-of-plumb per wall as Fig.a .



NOTE

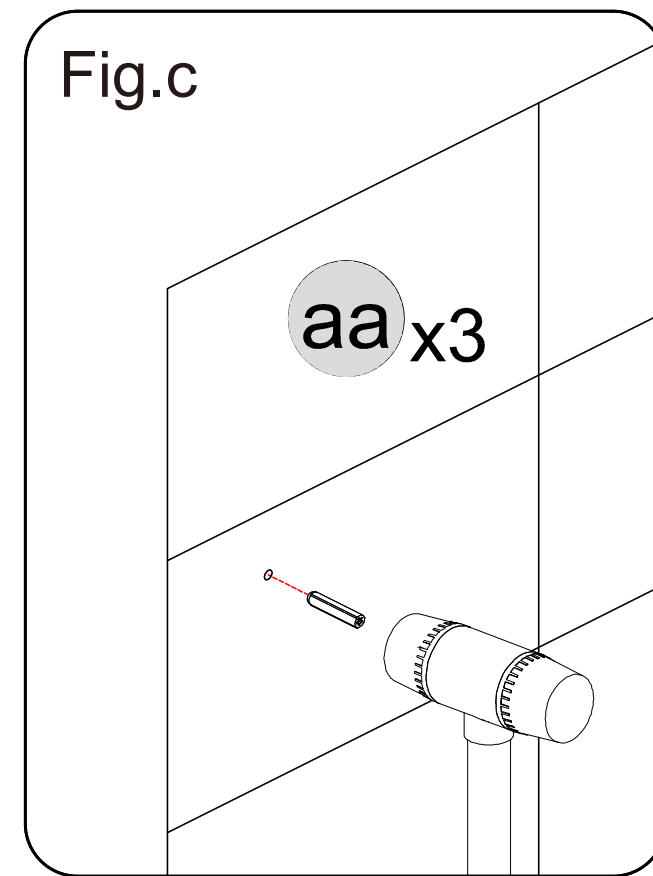
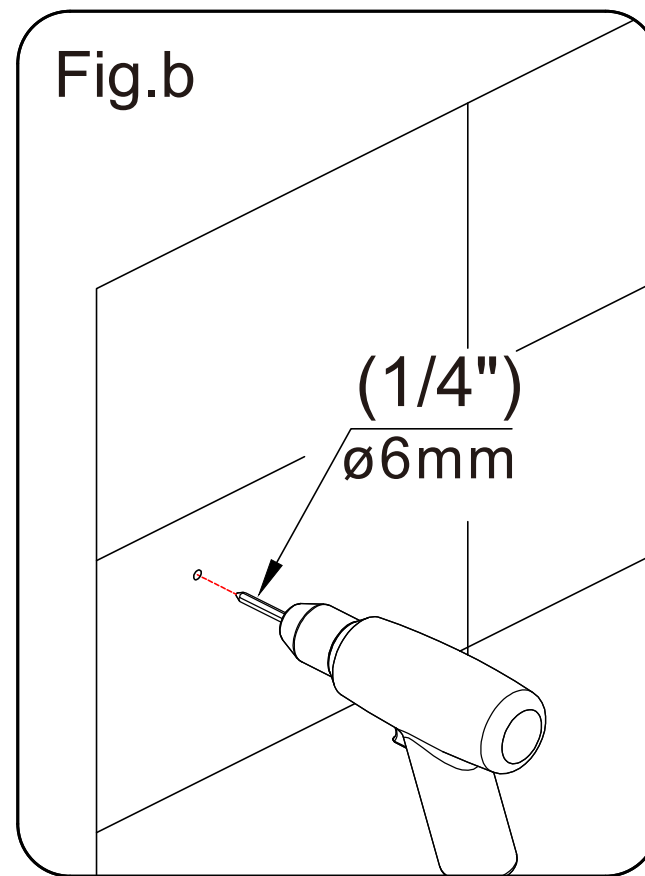
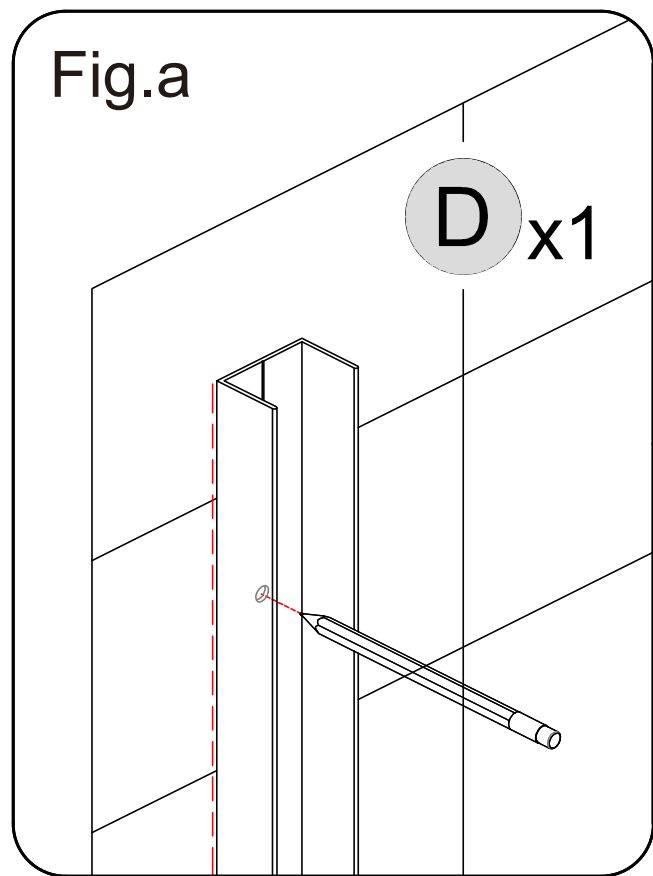
Check that the frame assembly is plumb on the wall and even across the threshold. Mark the position of the **Wall Jamb (A)** on the wall. Make sure that the **Wall Jamb (A)** are tight to the threshold as Fig.b .



7 Install **Wall Jamb(A)**.

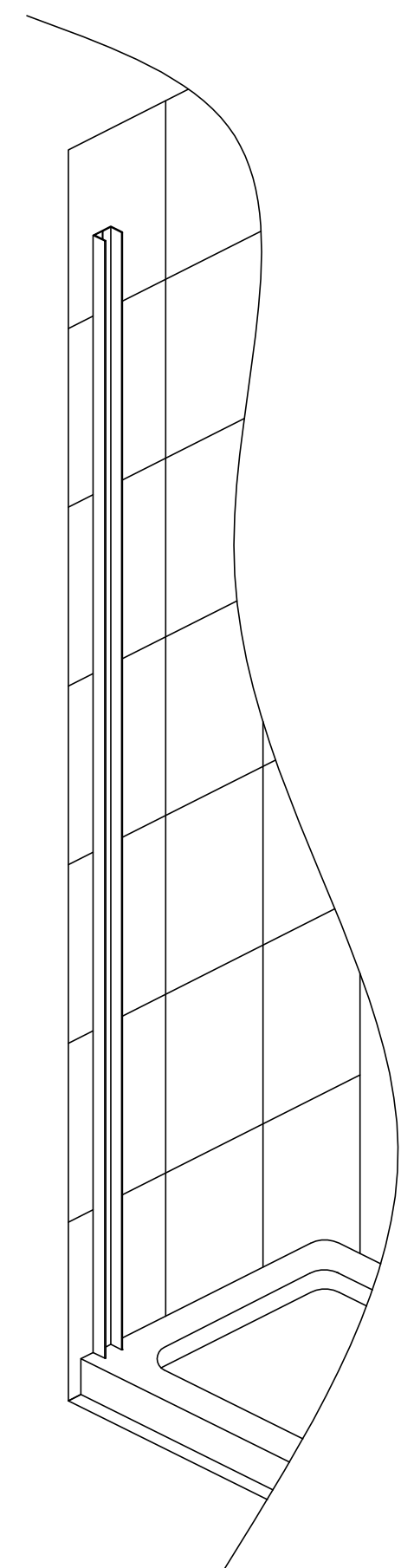
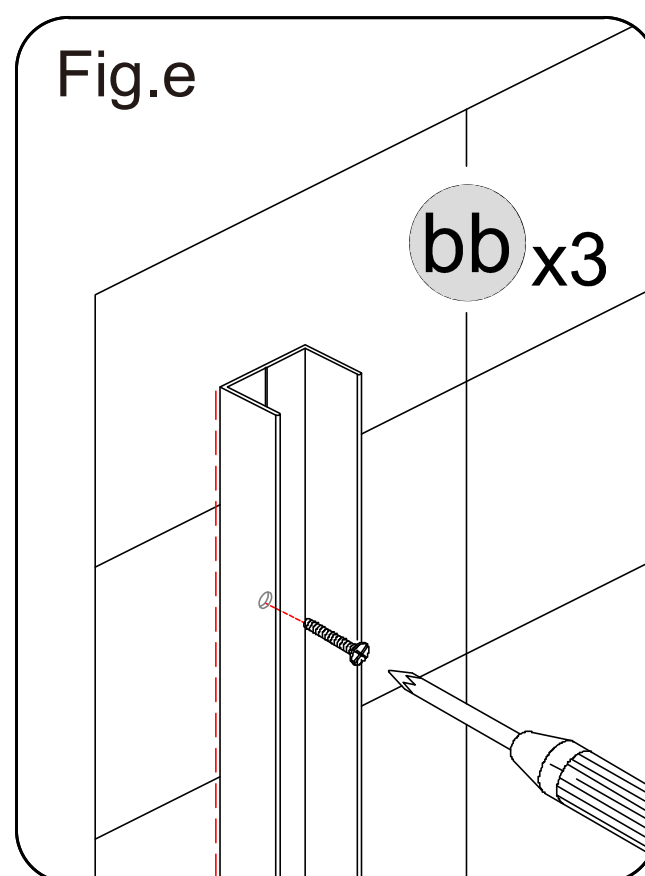
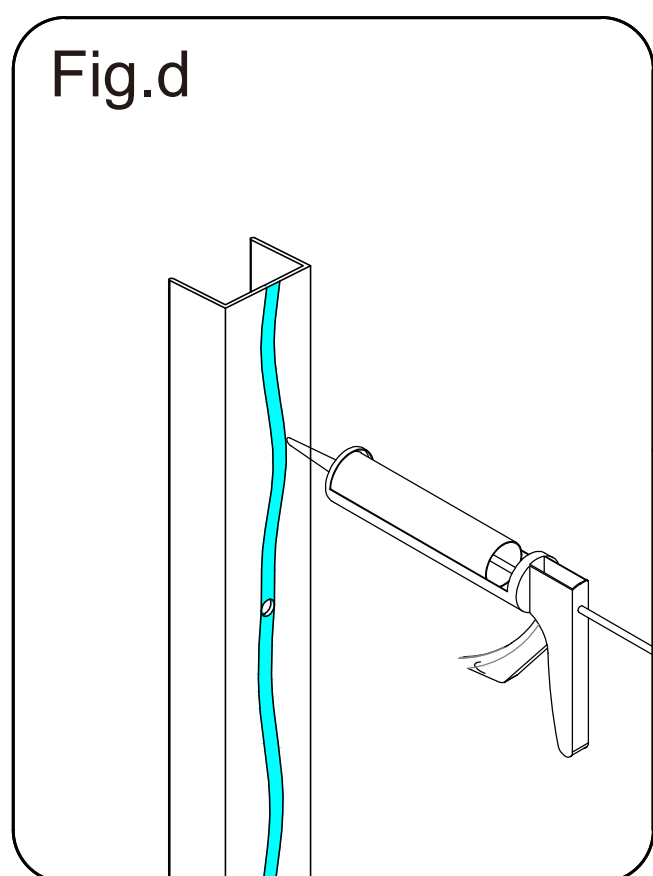
NOTE

Move the frame assembly aside and remove the **Wall Jamb (A)**. Put **Wall Jamb (A)** back to the position marked in the previous step, and then mark the required hole. Drill the holes into the walls using a 1/4" (Φ6mm) drill bit and insert the **Wall Anchors (aa)**. Repeat this process for the opposite wall jamb as Fig.a & Fig.b and Fig.c .



NOTE

Apply silicone into the groove along the entire length of the **Wall Jamb(A)** . Attach the **Wall Jamb(A)** to the wall using the **ST4 x 30 Screws (aa)**. Repeat this process for the opposite wall profile as Fig.d and Fig.e .



8 Door Assembly Installation

NOTE

Place the Door Assembly back onto the threshold, and first place the side with the panel into the **Wall Jamb (A)** as Fig.a .

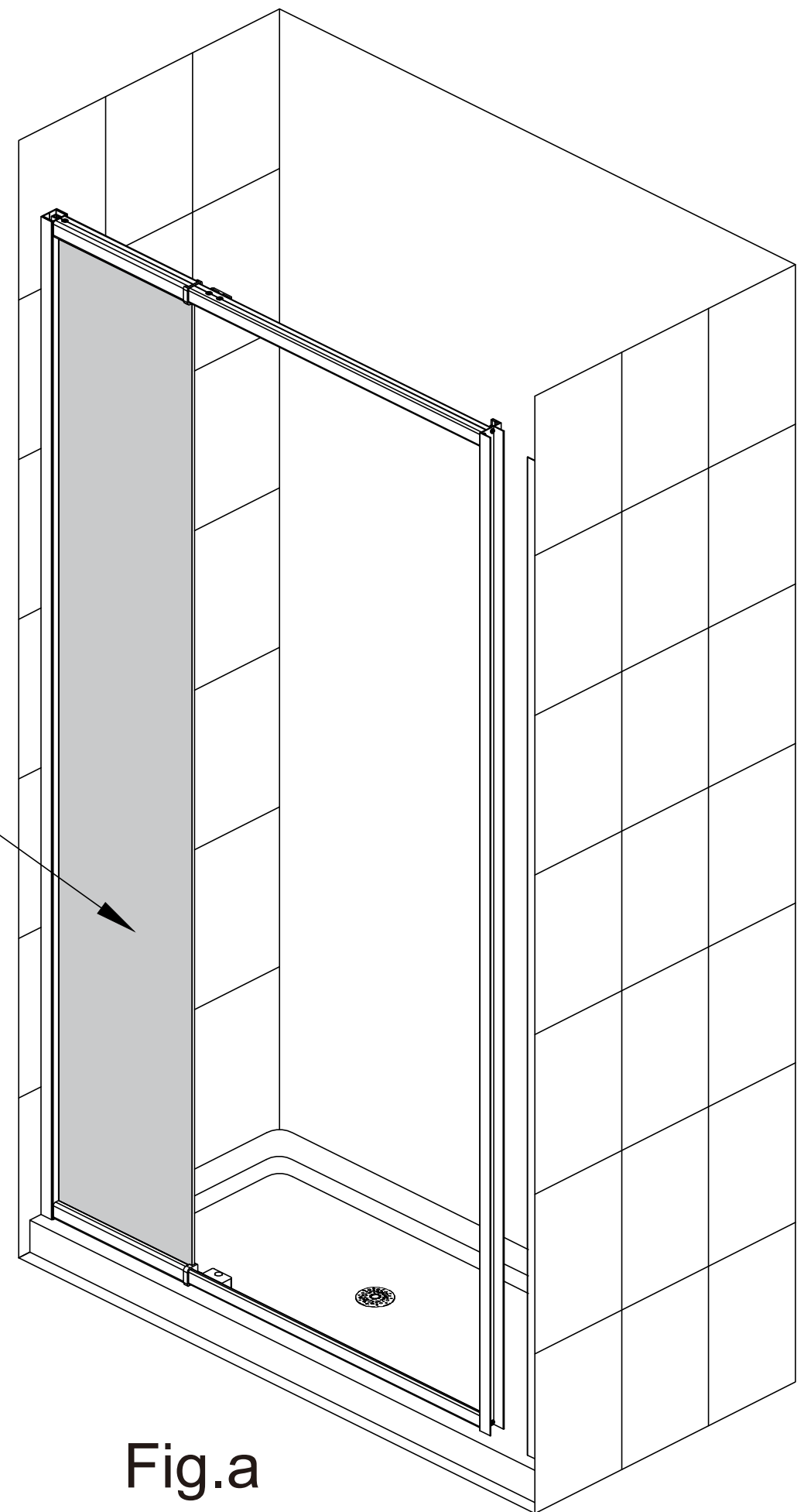


Fig.a

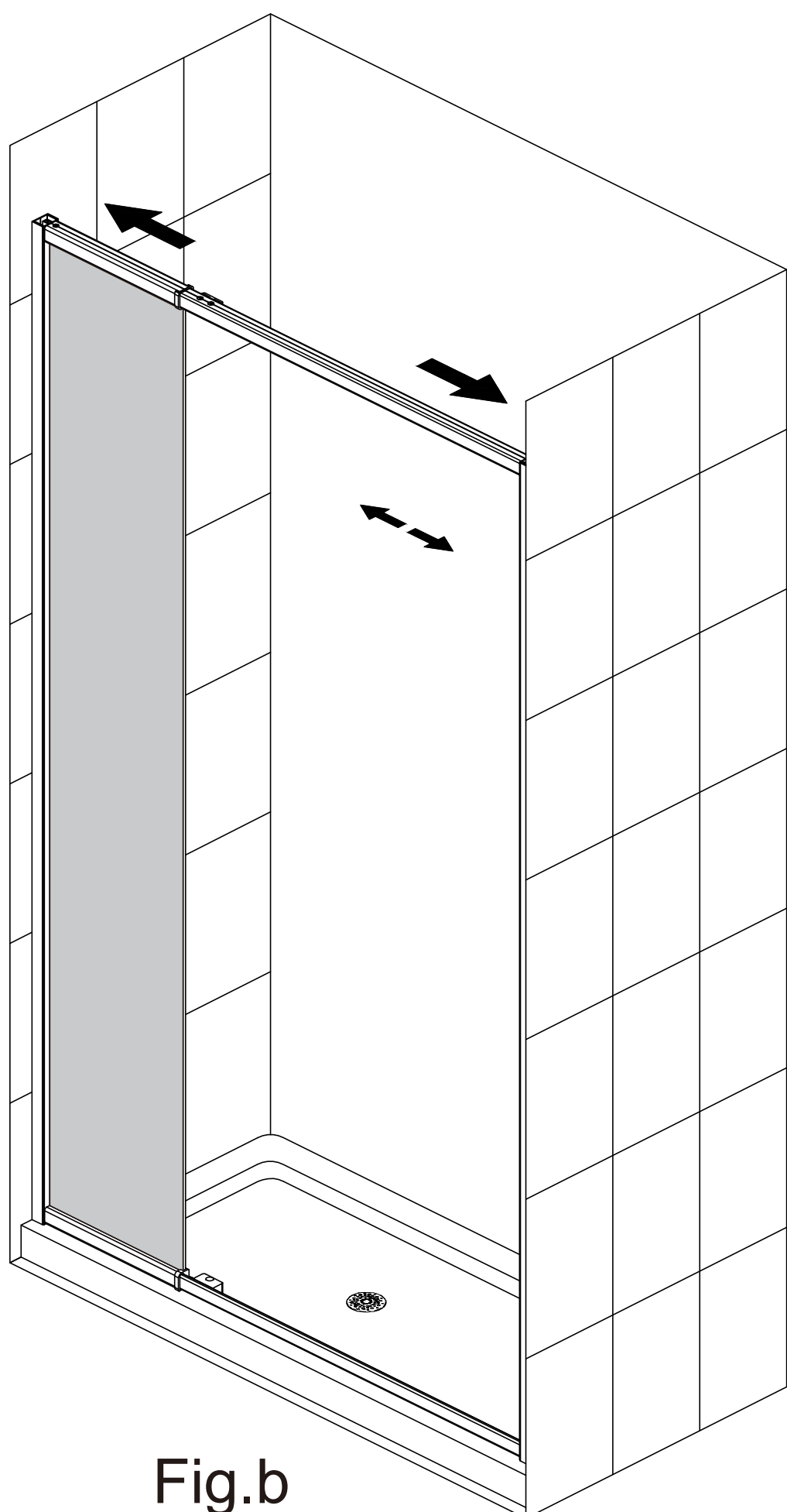


Fig.b

NOTE

Extend the Expandable Rails **Top & Bottom Rails (H)** evenly so that the **Magnetic Strike Profile (J)** goes into the opposite **Wall Jamb(A)** on the door-side of the opening as Fig.b .

9 Pivot (G) Installation

NOTE

1. Check and adjust the door opening for square and make certain that the entire assembly is tight to the threshold as Fig.a .
2. Install one **Pivot (G)** into the pivot bases of the **Bottom Rails (H)**. Note: The another **Pivot (G)** is installed next step as Fig.b .



Fig.a

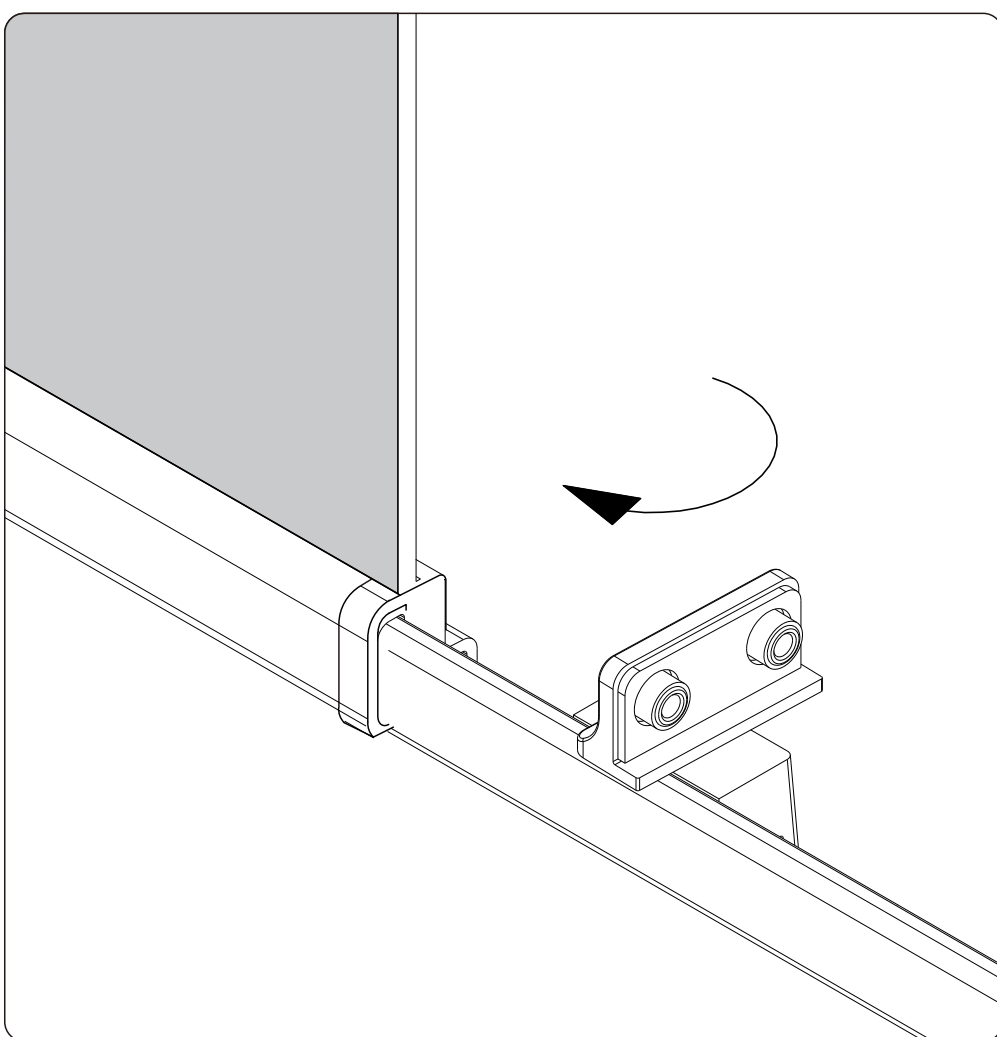


Fig.b



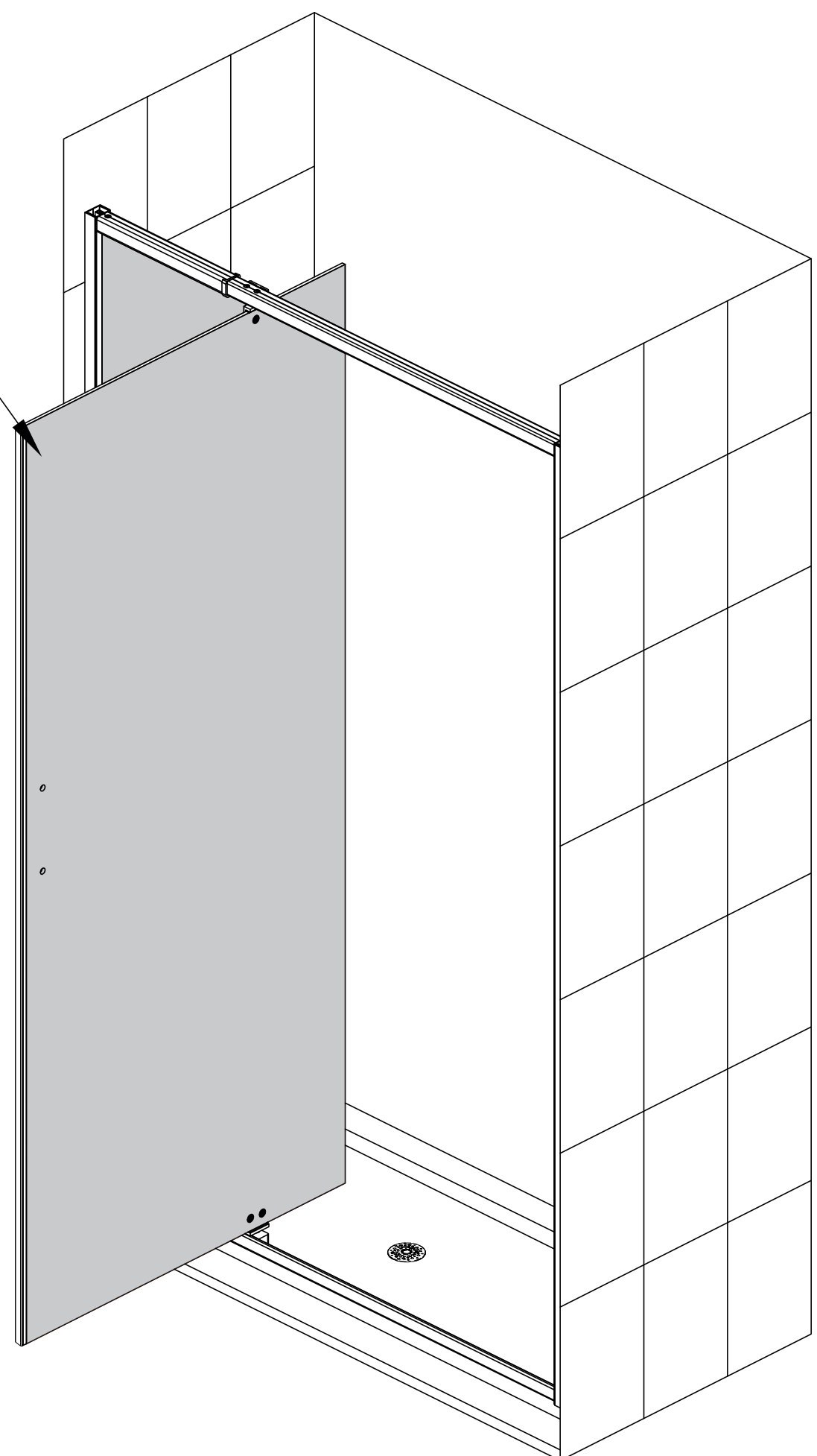
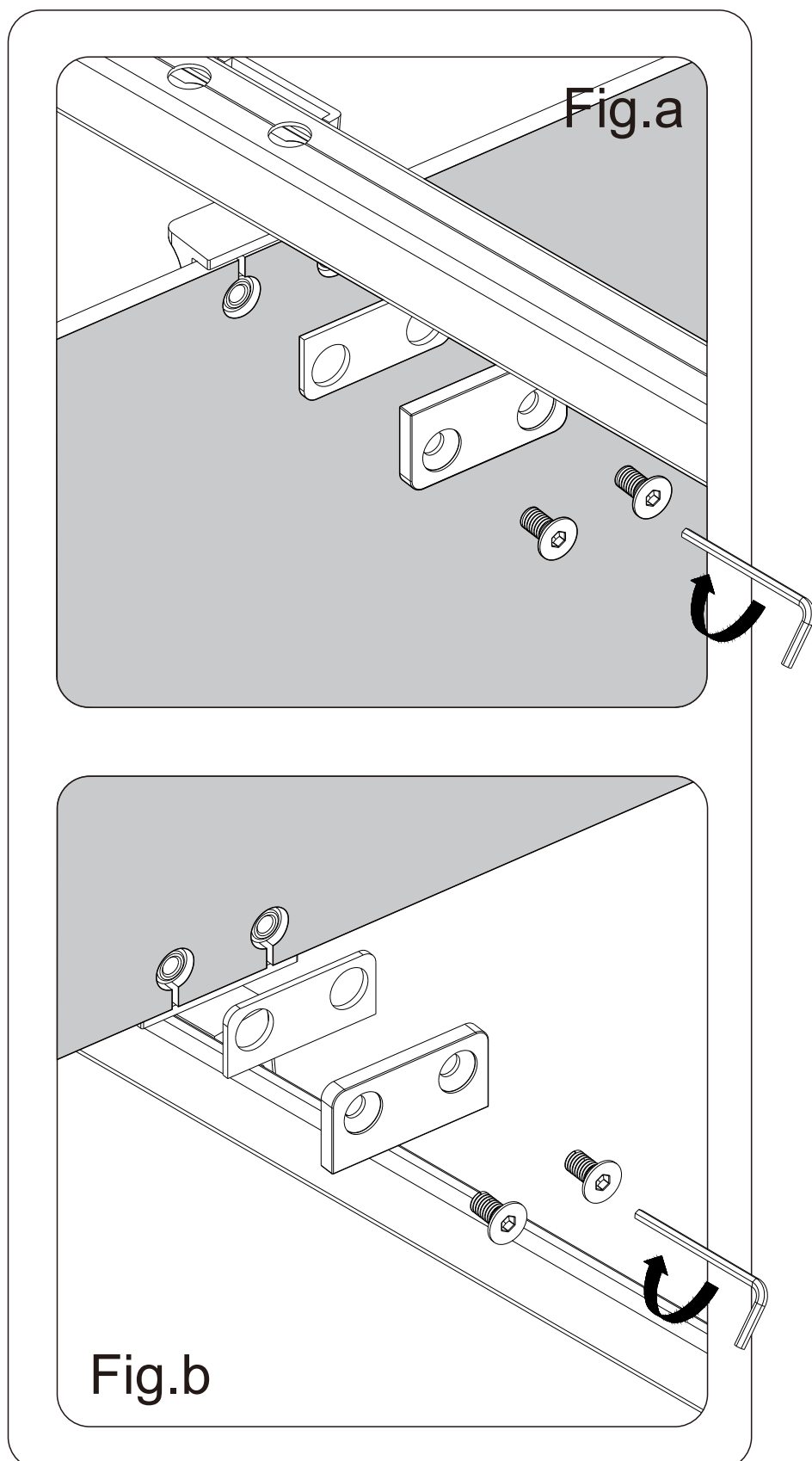
NOTE: DO NOT install the handle onto the door glass until instructed. DO NOT attempt to lift the glass using the handle. This could result in damage to the glass and/or serious personal injury. Always use an assistant or a professional grade glass suction cup when handling heavy glass.

10 Glass Door(D) Installation

NOTE

Carefully install the **Glass Door (D)** onto **Bottom Rails (H)**. Install the another **Pivot (G)** into the pivot bases of the **Top Rails (H)** and then install the **Glass Door (D)** onto **Top Rails (H)** as Fig.a and Fig.b .

Note: Make sure that the magnet edge of the door glass faces into the shower.

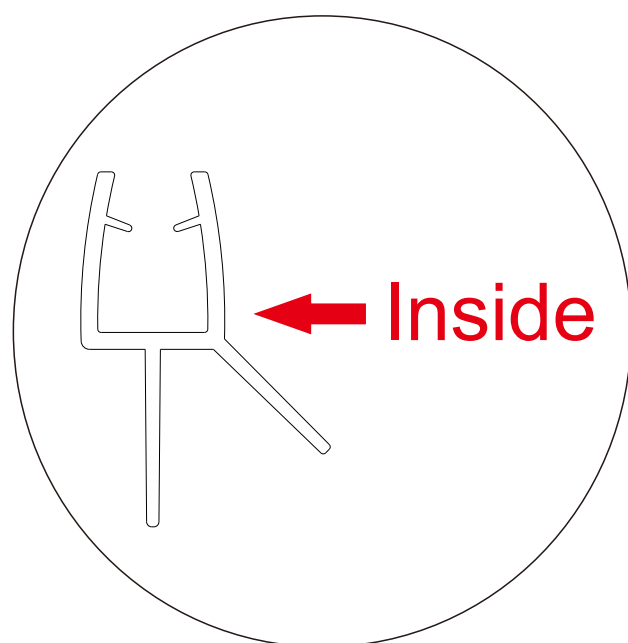
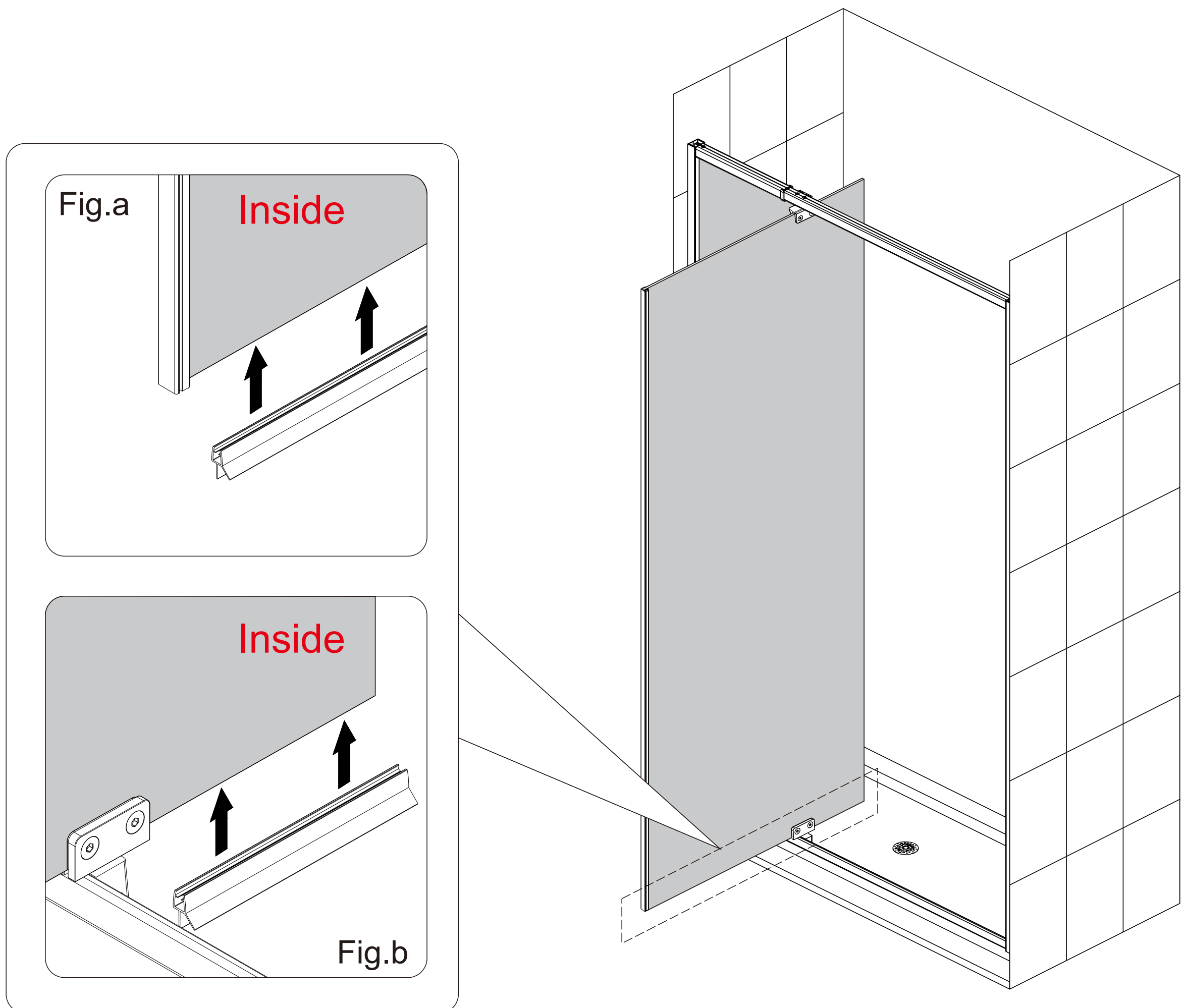


Right hand door installation shown

11 Bottom Anti-water Strip (I) Installation

NOTE

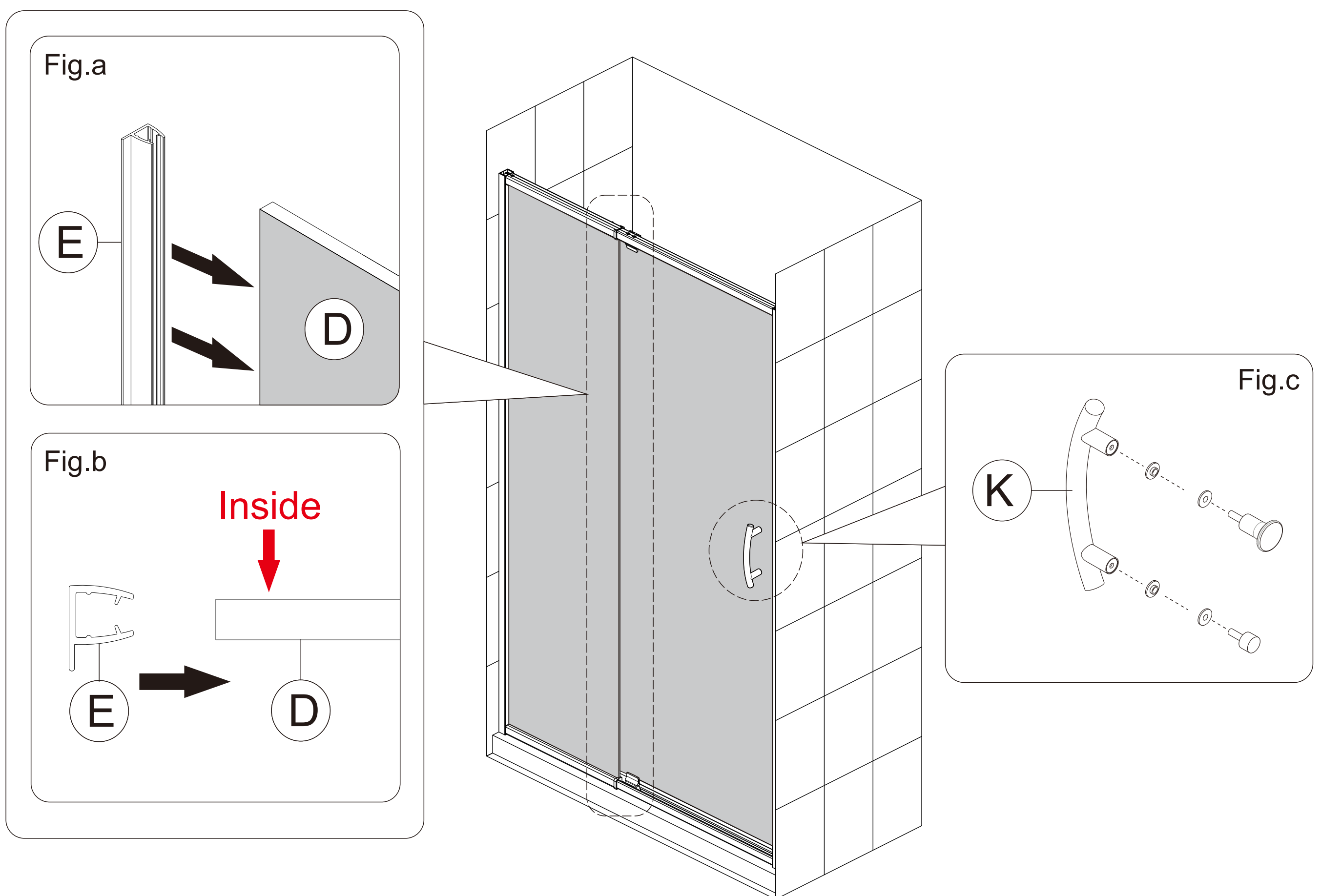
1. Install the **Bottom Anti-Water Strip(I)** to the **Glass Door(D)** as Fig.a and Fig.b .
 Note: The direction of the **Bottom Anti-Water Strip (I)**.



12 Install **Glass Door (E)**.

NOTE

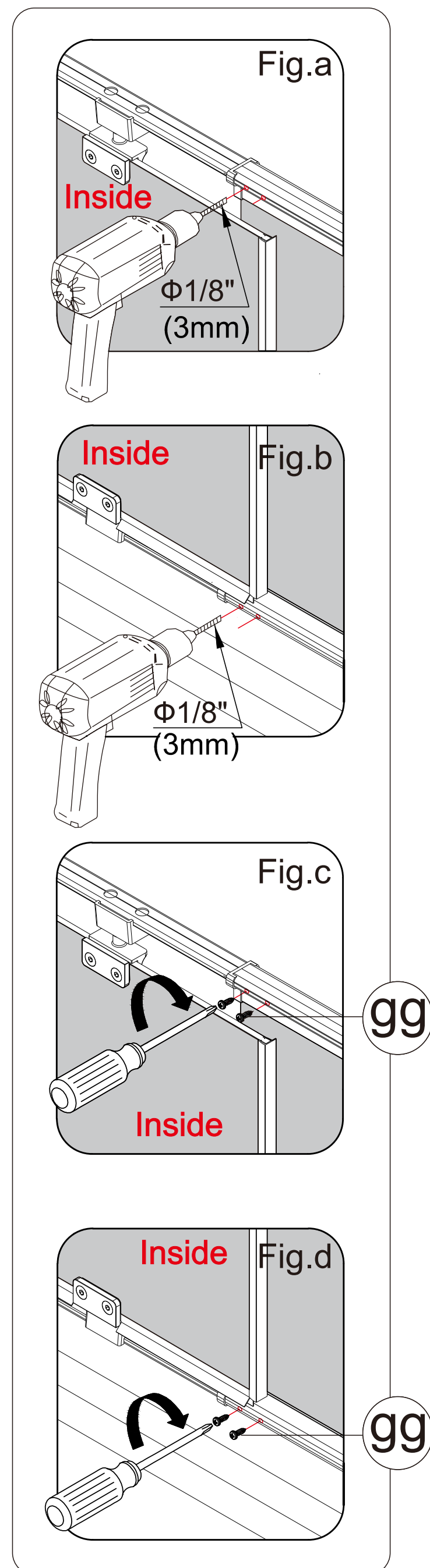
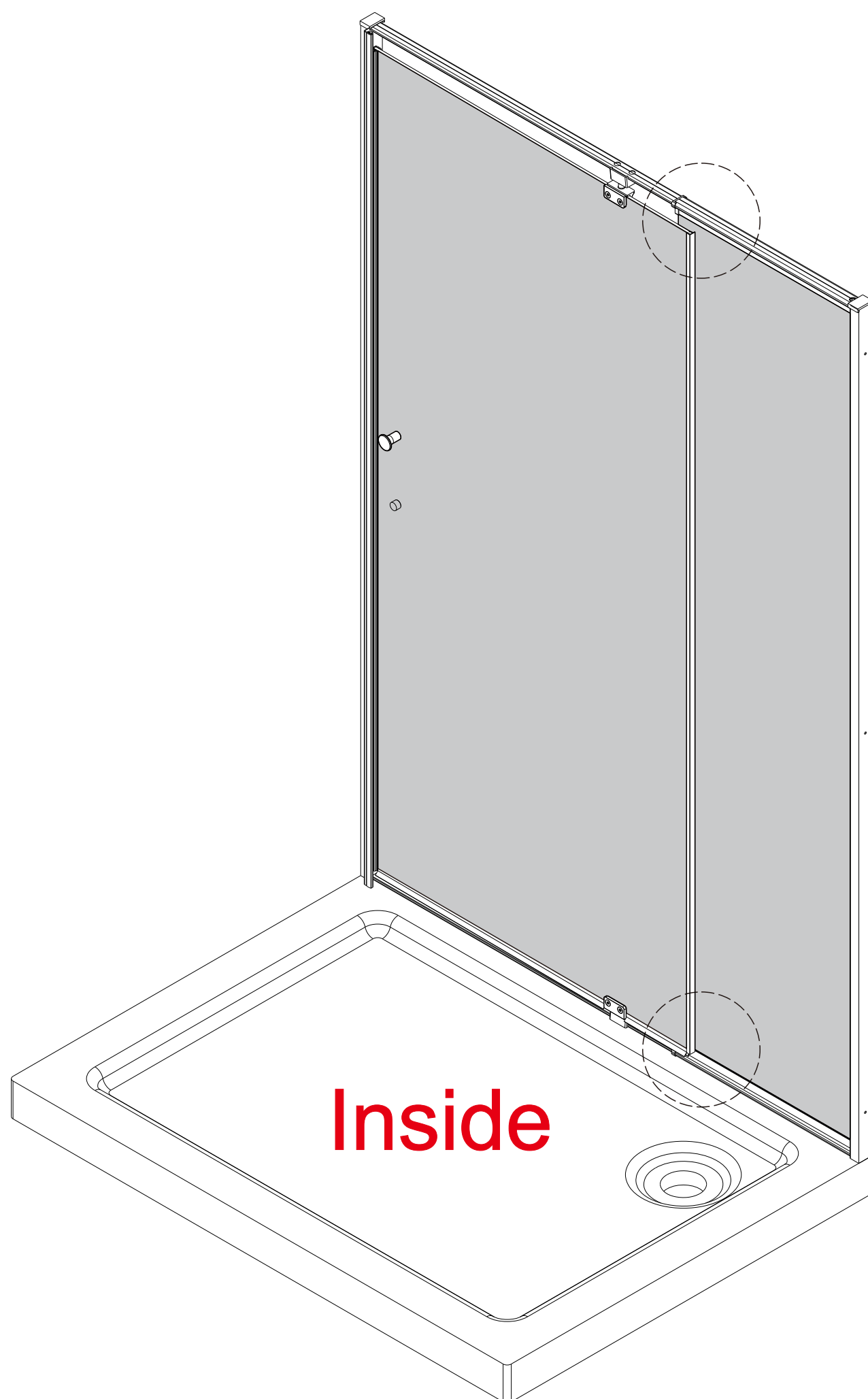
1. Install the **Anti-Water Strip(E)** to the **Glass Door(D)** as Fig.a and Fig.b .
2. Install the **Handle(K)** to the **Glass Door(D)** as Fig.c .



13 Top & Bottom Rails (H) Fixation

NOTE

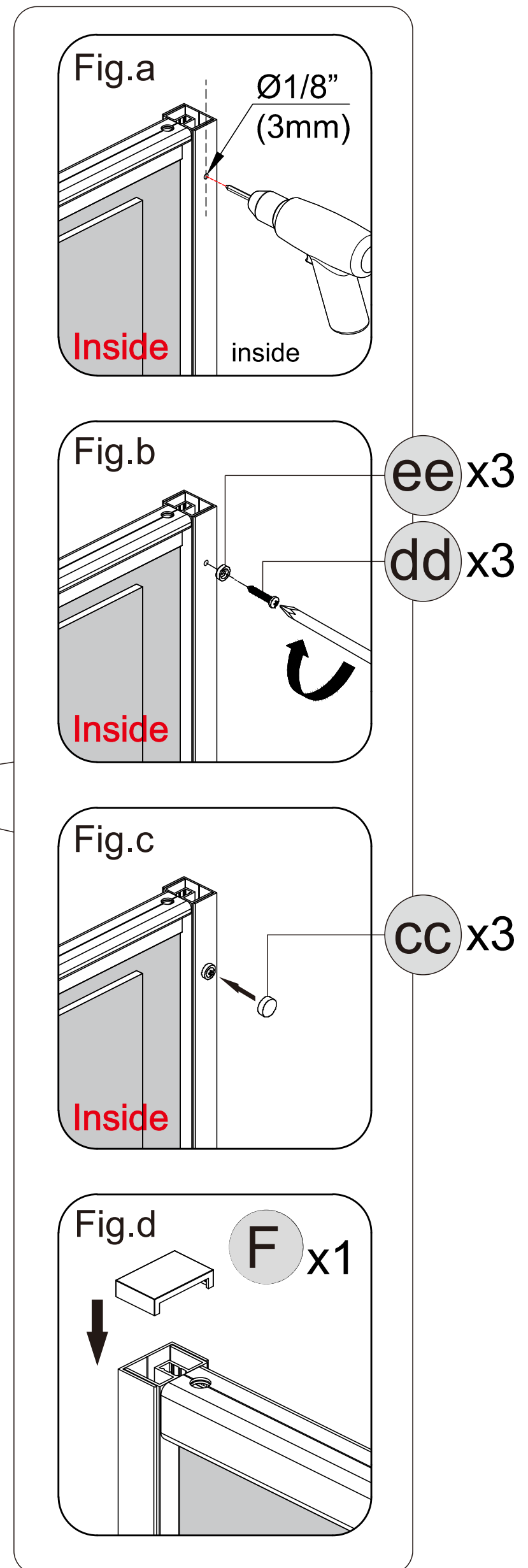
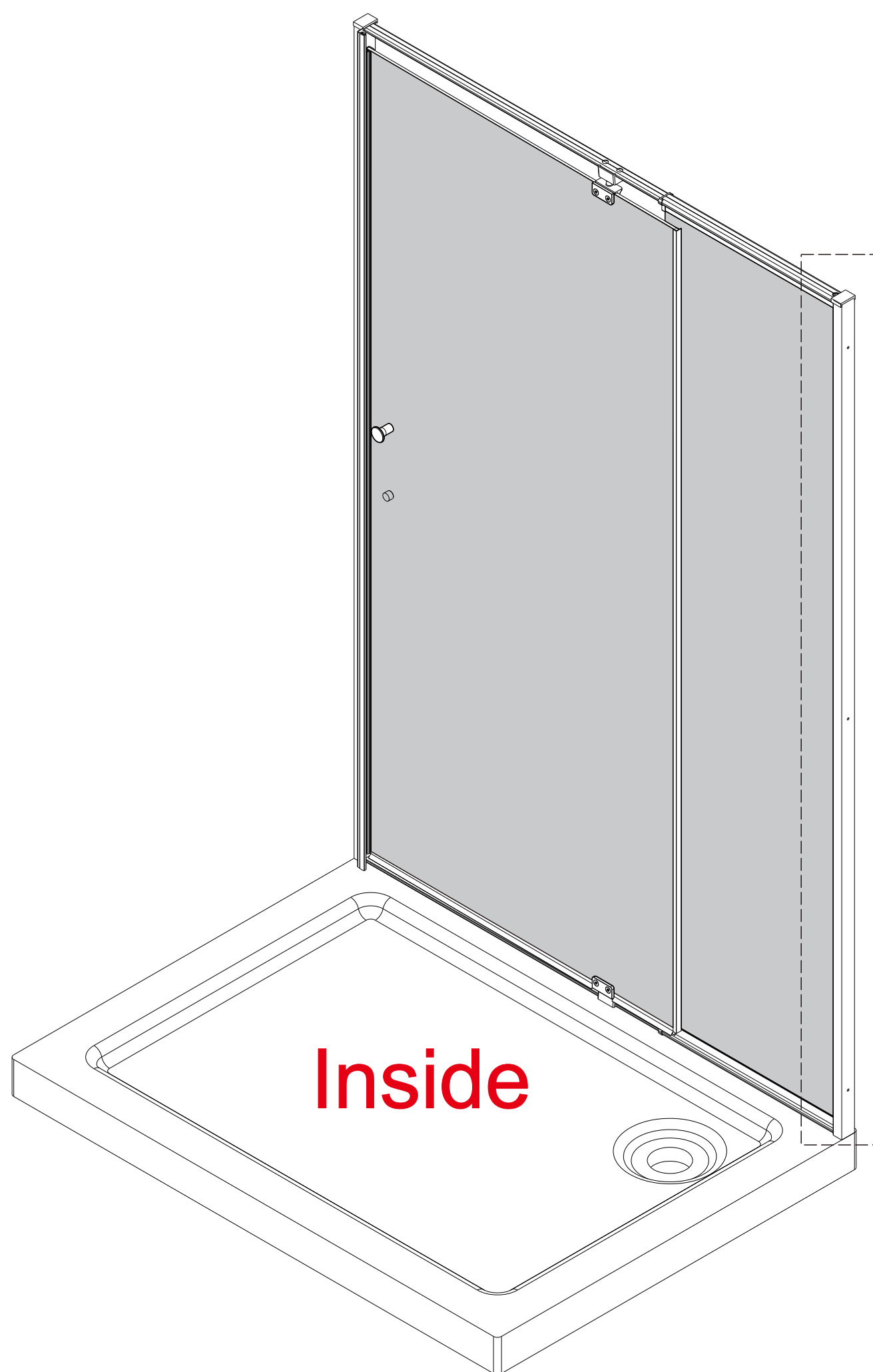
Once all adjustments have been made, drill pilotholes from inside of the shower into the **Top & Bottom Pivot Rails (H)** through the predrilled holes using an $\Phi 1/8"$ drill bit as Fig.a and Fig.b .
 Note: Do not drill the rails throughout, only through the first layer.
 Secure the Expanding rails using the Round headscrews **ST4×12 (gg)** as Fig.c and Fig.d .



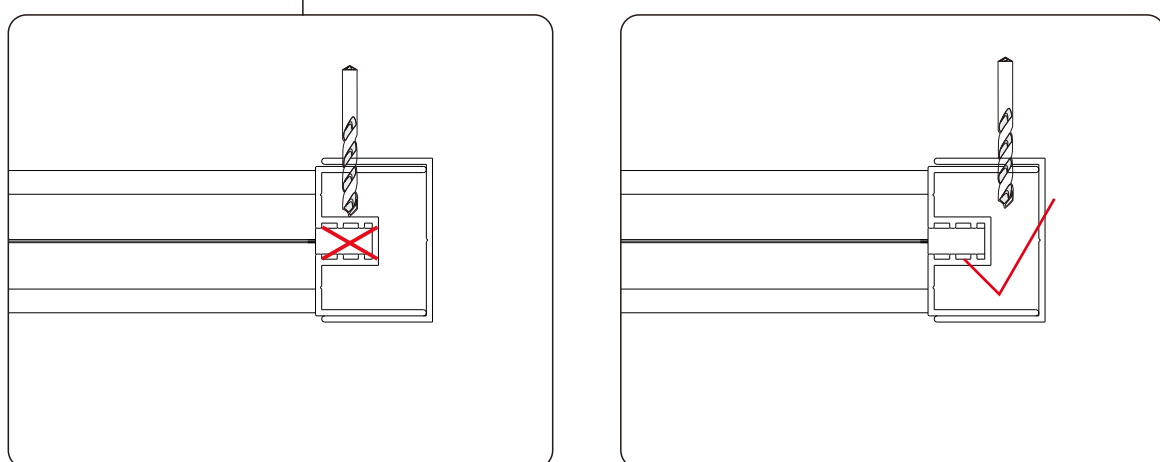
14 Assembly Fixation

NOTE

1. Drill 3 holes on the inside of the **Wall Jamb(A)** with 1/8"(3mm) drill bit as Fig.a .
2. Install **Screw(dd)** and screw cover cap **Washer(ee)** as Fig.b .
3. Install **Screw cap(cc)** as Fig.c .
4. Install **Wall Jamb Cover(F)** as Fig.d .



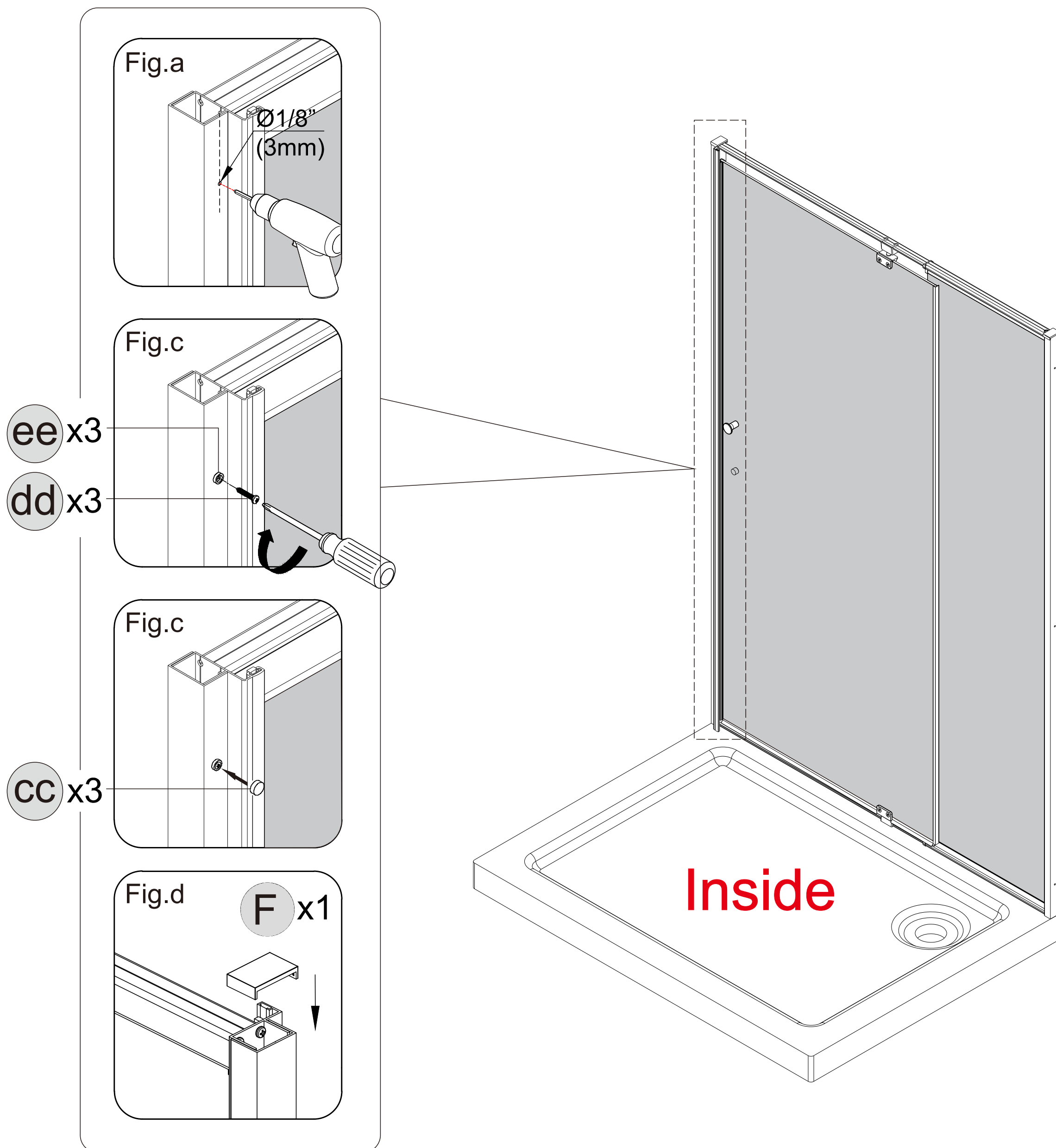
⚠ Take care not to drill to the glass



15 Assembly Fixation

NOTE

1. Drill 3 holes on the inside of the **Wall Jamb(A)** with 1/8"(3mm) drill bit as Fig.a .
2. Install **Screw(dd)** and screw cover cap **Washer(ee)** as Fig.b .
3. Install **Screw cap(cc)** as Fig.c .
4. Install **Wall Jamb Cover(F)** as Fig.d .



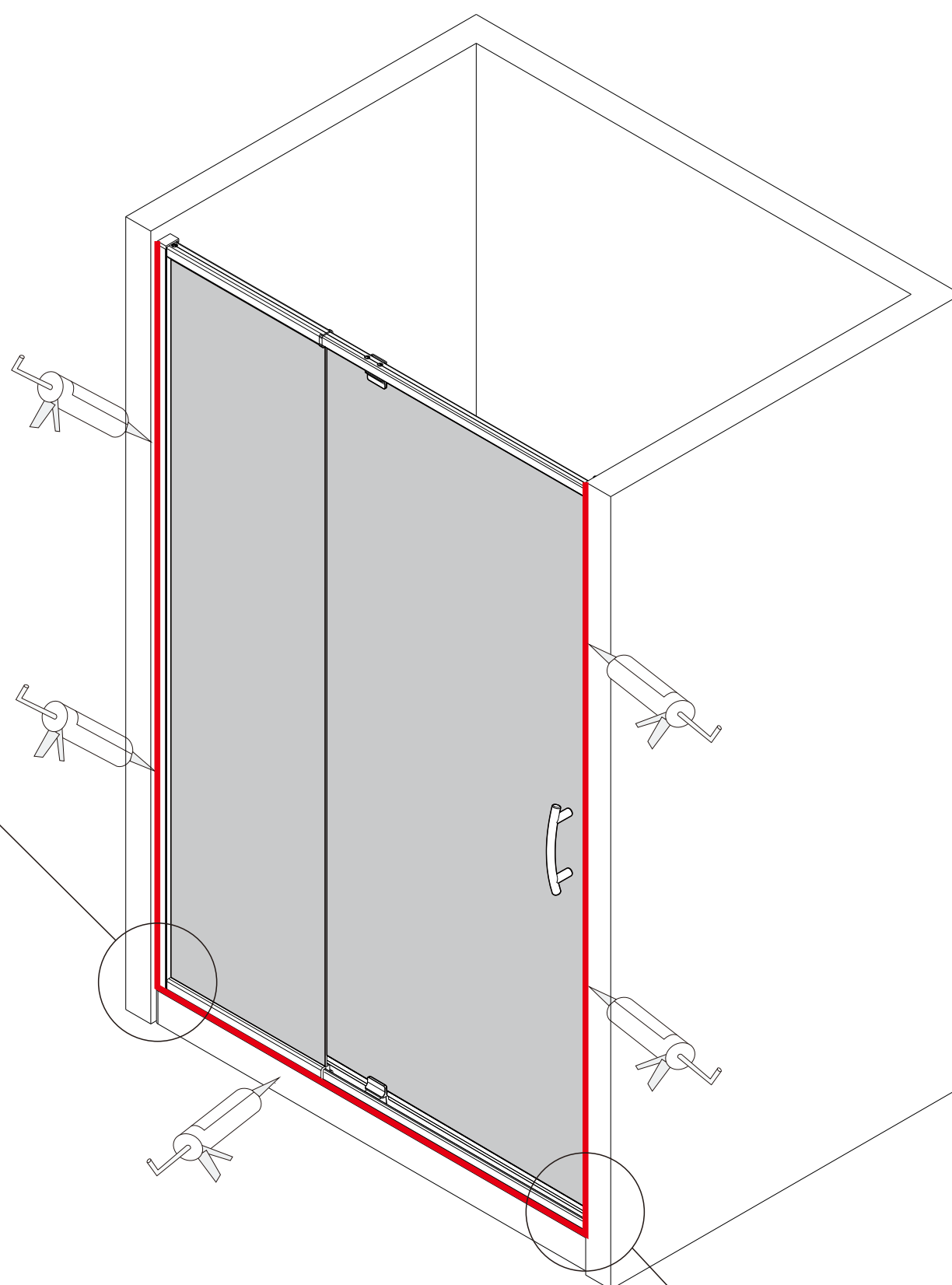
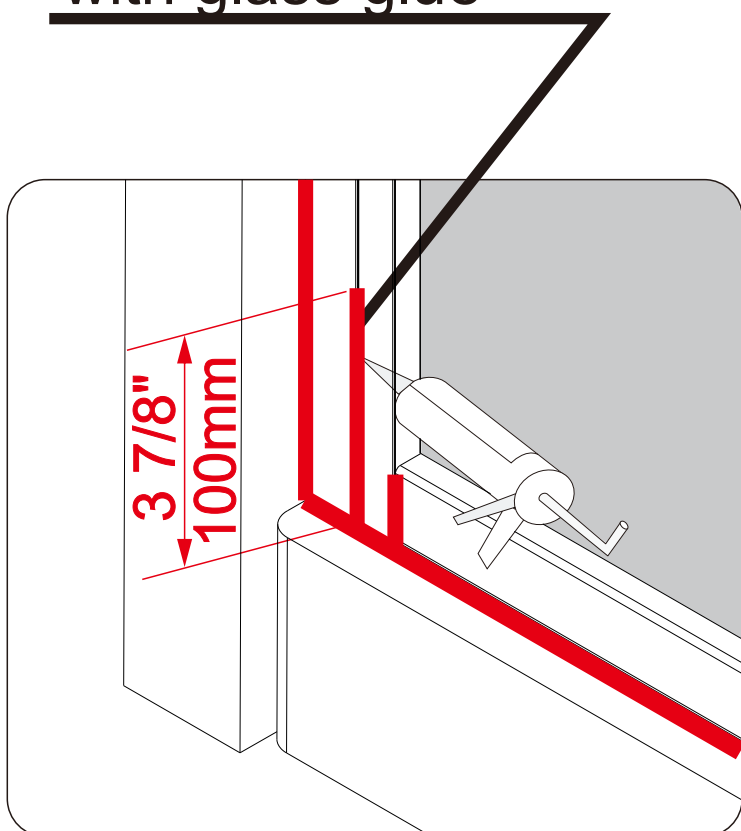
16 SEALING

NOTE The surfaces need to be clean and free of debris before applying silicone.

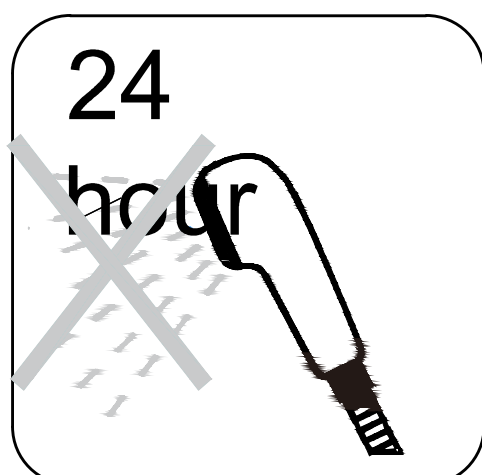
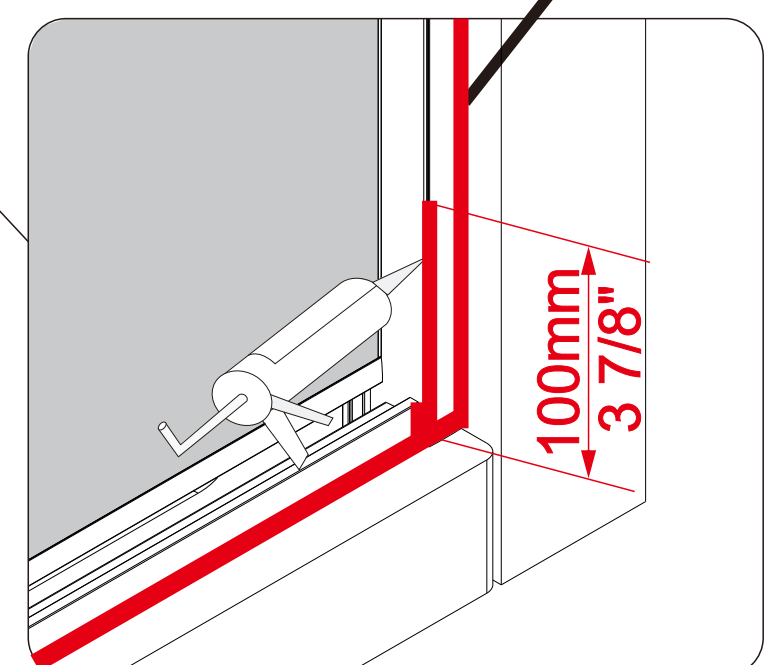
NOTE Ensure that the Shower door closes tightly and opens smoothly. Apply a good quality silicone sealant along the **Wall Jamb(A)** and Door Frame.

! Allow 24 hours for the silicone to cure before using the shower.

The gaps between the **Wall Jamb (A)** should be covered with glass glue



The gaps between the **Wall Jamb (A)** should be covered with glass glue



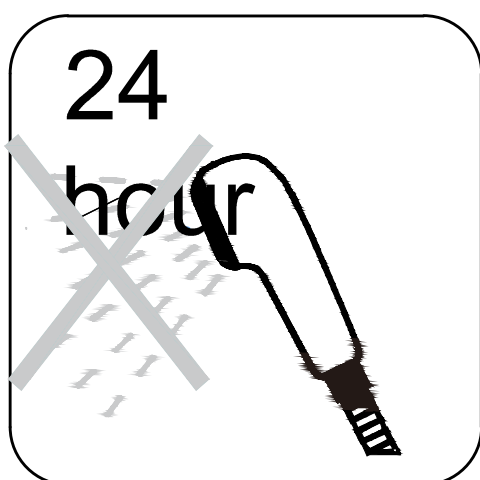
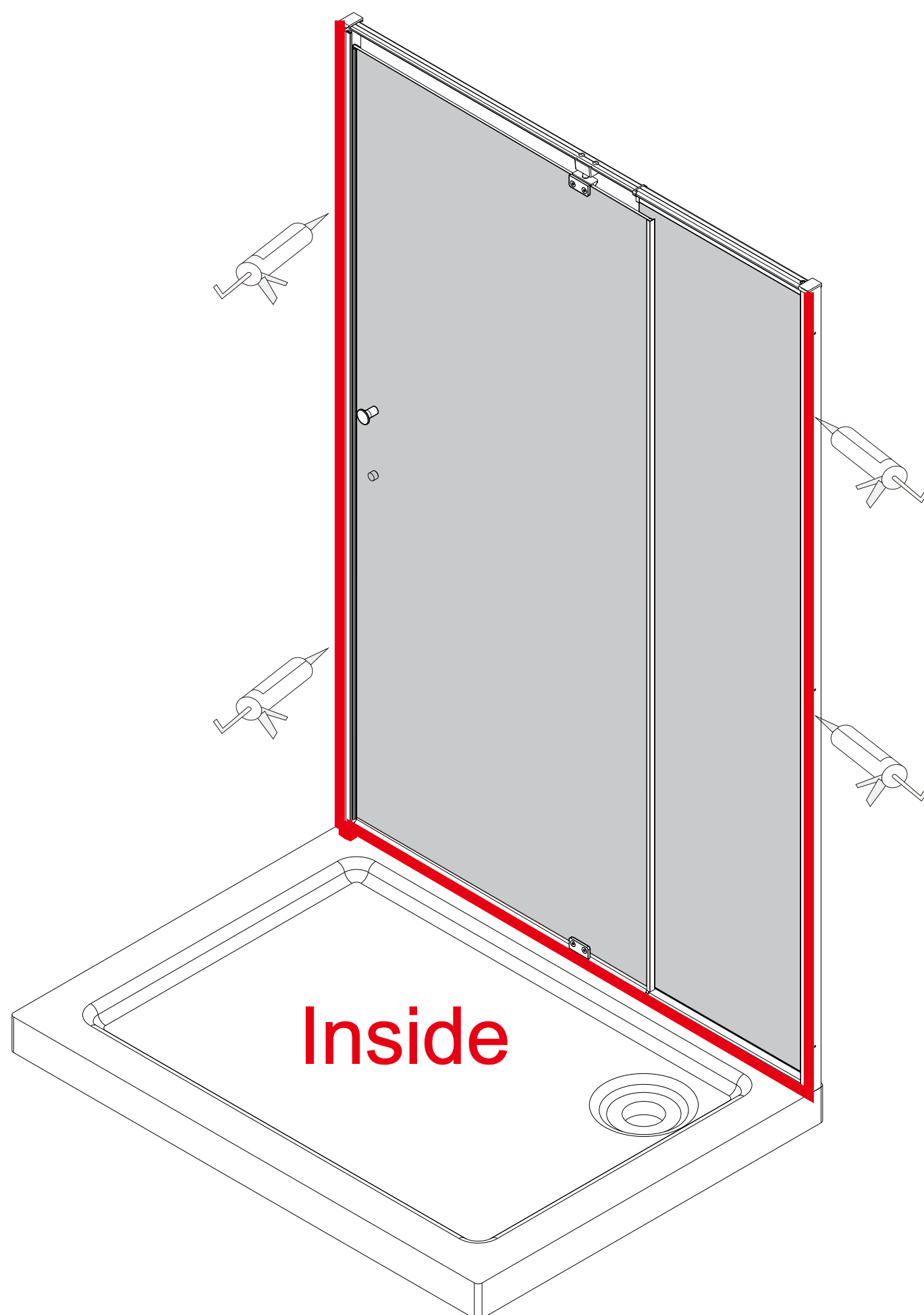
! Apply Silicone Sealant, (not supplied).

17 SEALING

NOTE The surfaces need to be clean and free of debris before applying silicone.

NOTE Ensure that the Shower door closes tightly and opens smoothly. Apply a good quality silicone sealant along the **Wall Jamb(A)** and Door Frame.

! Allow 24 hours for the silicone to cure before using the shower.



! Apply Silicone Sealant, (not supplied).



The shower room needs to be sealed inside and out