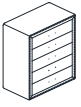




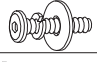

# ASSEMBLY INSTRUCTION

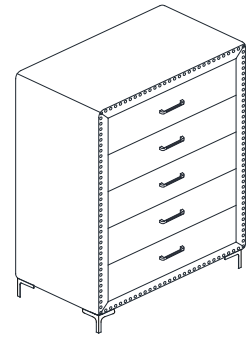
ITEM :

## BOX OF CHEST CHEST

ITEM	DRAWING	DESCRIPTION	QTY
A		CHEST	1
B		LEG (B)	4
C		TIPPING RESTRAINT (Affix to wall behind chest) *Located in the top Drawer of Chest	1

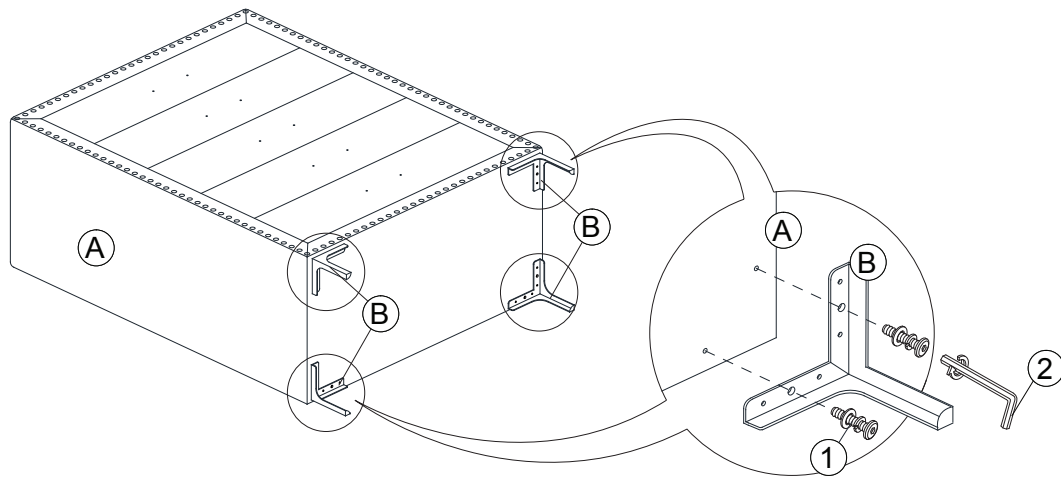
## BOX OF CHEST HARDWARE LIST

ITEM	DRAWING	DESCRIPTION	QTY
1		JCBC SCREW M6x20mm	8
2		L-KEY M4x65mm	1

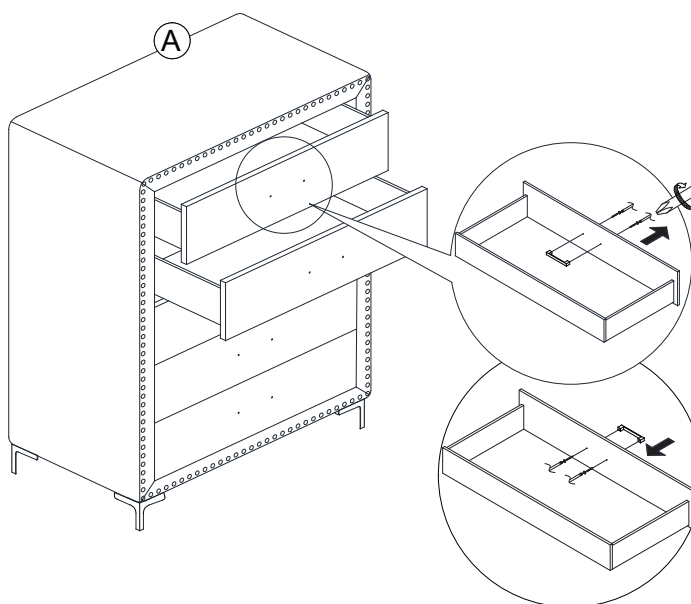


COMPLETED CHEST ASSEMBLY

### STEP 1



### STEP 2



THE HARDWARE IS LOCATED IN THE PACKING ITEMS  
THE ANTI TIPPING HARDWARE IS LOCATED IN THE TOP DRAWER OF CHEST.

NOTE : MUST TIGHT SCREWS PERIODICALLY WITH USE SCREWS MAY BECOME LOOSE.  
CHECK TIGHTNESS OF ALL SCREWS EVERY 6-8 WEEKS.

MADE IN MALAYSIA