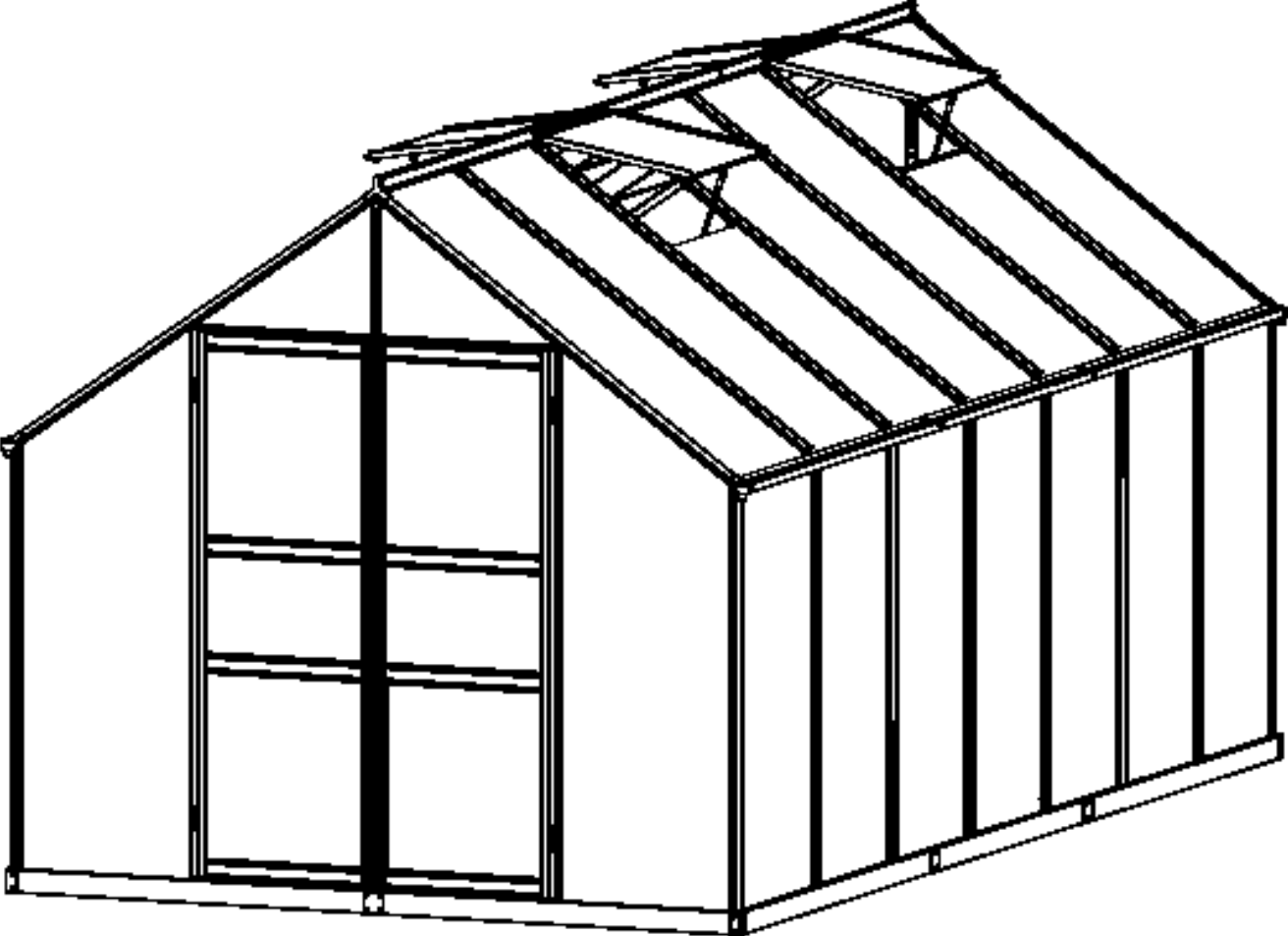


14X8FT Greenhouse

Product ID. 7A3M3



Scan for Support



Distributed by
GARVEE.com

support@garvee.com

PLACING:

- Do not place the greenhouse in an area exposed to very strong winds.
- Choose a sunny, flat place without overhanging trees.

ASSEMBLY:

Assembly preparations:

- We recommend to wear gloves and safety glasses during assembly.
- Keep children away from the installation area.
- Do not install the greenhouse in windy or wet conditions.
- For assembly you need as tools at least an electric screwdriver/drill and a measuring tape
- It takes 2-3 days to get the greenhouse fully finished
- Some assembly steps require two people

During assembly:

- Keep small parts (screws, etc.) in the boxes and bags so they don't get lost.
- Each part is numbered and the corresponding number can be found in the assembly instructions.
- Start assembly by arranging parts with the same number in their own groups around the installation site. The aluminum frame of the greenhouse is built first and the PC-panels are added last.
- Tighten the screws to their full tightness only when you are sure that the assembly step is correctly made
- Make sure the greenhouse is anchored well enough into the ground

Instructions for mounting the polycarbonate panels:

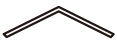



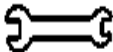


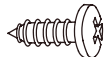
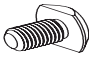

- Clear transparent PC panels are used for walls and hollow 4mm PC panels are used for roof.
- Film protects the PC panels and it should be kept on to protect the panels during assembly and removed only when mounting the panel.
- Green protection film side with UV protection, should toward the sun. White protection film side without UV protection.
- Handle the polycarbonate wall and roof panels with special care so that they do not get scratched during the assembly .

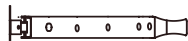

NEEDED TOOLS(packaging includes one spanner to twist the nuts)

1. Tape measure
2. Level
3. Electric screwdriver + screw tip

Art.Nr.	Picture	Qty.	Dimension(mm)
1		4	1285
2		1	1462
3		1	1462
4		1	1462
5		1	1462
6		1	1696
7		1	1696
8		1	1715
9		1	1715
9A		1	1698
9B		2	390
10		12	1285
11		12	1441
12		1	1225
13		4	
14		2	1218
14A/14B		4	1516
15		4	634
16A/16B		2	1241
17A/17B		2	1241
18		3	

Art.Nr.	Picture	Qty.	Dimension(mm)
19A/19B		2	1682
20		1	1682
20A		1	1682
21		2	1214
22		8	1369
23		2	580
24		2	1358
25		4	
26		7	560
27		1	560
28		8	520
29		10	
30		4	595
31		4	595
32		2	1222
32A		2	1543
32B		2	1543
32C		12	
33		1	1218
33A		1	1514
33B		1	1514

Art.Nr.	Picture	Qty.	Dimension(mm)
33C		2	
34		2	1218
34A		2	1516
34B		2	1516
34C		8	
35		2	575
36		1	
37		1	
38		32	
39		8	
40		330	
41A		2	
41B		2	

Art.Nr.	Picture	Qty.	Dimension(mm)
42		2	
43		4	
44		330	
45		4	
46		40	
47A/47B		8	1516
48		4	Expansion screws
49		2	1372
50		2	
51		1	
52		4	1238
53			
54			

PC panels









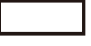



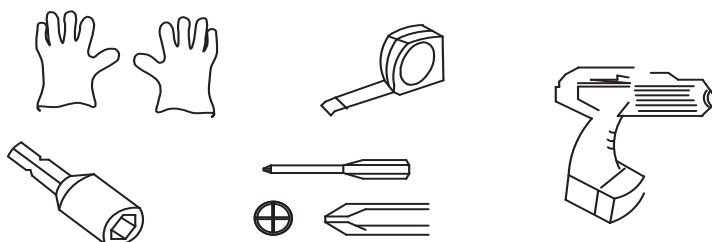
Art.Nr.	Qty.	Picture	Dimension(mm)	
1	16PC		595x1310	4mm panel for the roof
2	10PC		595x1458	4mm panel for the roof
3A	2PC		595x1710	4mm panel for the roof
3B	2PC		595x1710	4mm panel for the roof
4	4PC		595x925	4mm panel for the roof
5	4PC		595x550	4mm panel for the roof
6A	1PC		595x810	4mm panel for the roof
6B	1PC		595x810	4mm panel for the roof
7	2PC		560x320	4mm panel for the roof
8A	1PC		606x426	4mm panel for the roof
8B	1PC		606x426	
9	4PC		565x592	



photo of the 4mm roof panel

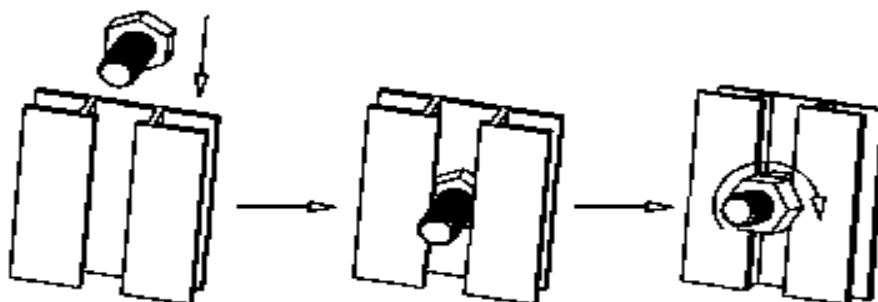
We recommend tearing off the protection films after the panel is put in its place in the greenhouse frame, so you stay aware of which side is UV-protected and the sides don't get mixed up during the assembly. A good way is to remove approx. 5cm of the protective film from all edges of the panel before mounting the panel in the alu frame (so that it doesn't get under the screws and alu strips), and when the panel is fixed in the frame you can completely tear off the protective films.

We recommend to get the following tools available for assembly




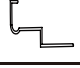
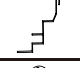





(packaging includes one spanner to twist the nuts)

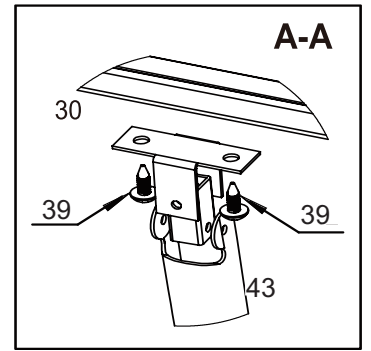
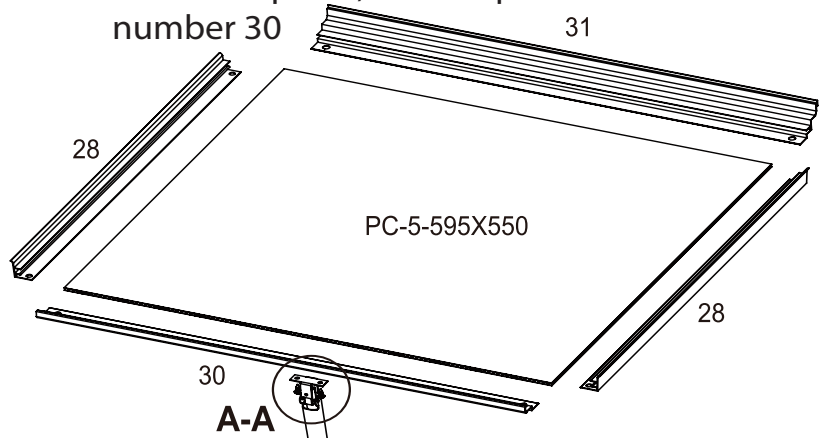
This is how you slide the screws into the grooves of the aluminum rails



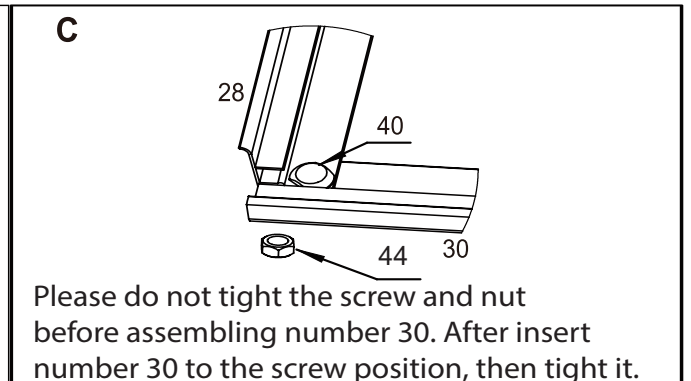
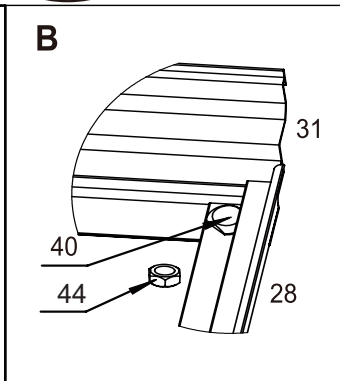
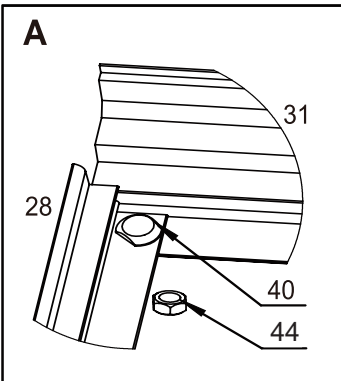
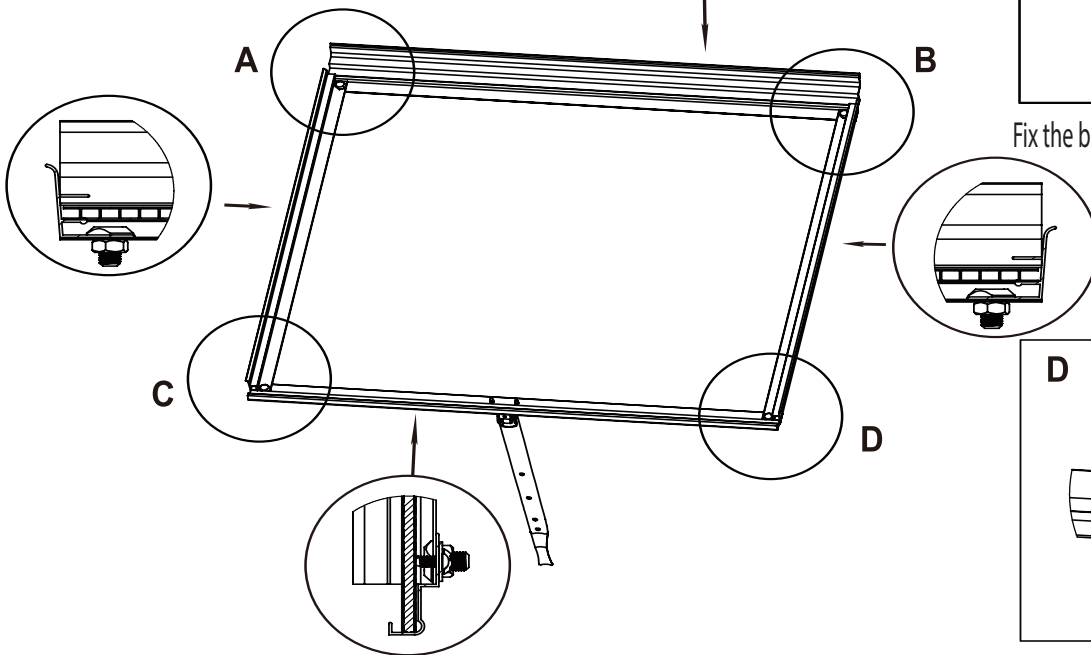
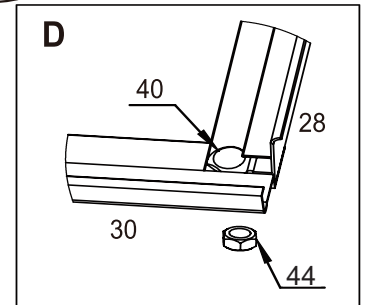
Roof window assembling

Please layout the exploded diagrams as below picture, insert number 40 screws from top to bottom, assemble number 28 and number 31 first, then assemble number 5 panel, next step to attach number 30

Art.Nr.	Qty.	Picture	Dimension(mm)
28	8PC		520
30	4PC		595
31	4PC		595
39	8PC		
40	16PC		
43	4PC		
44	16PC		
5	4PC		595 x 550






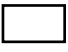
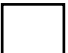
Fix the bracket on the reserved screw hole



Green protection film side with UV protection, should toward the sun. White protection film side without UV protection towards inside of the greenhouse.

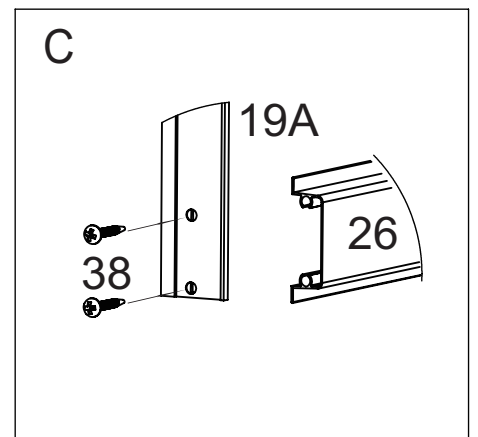
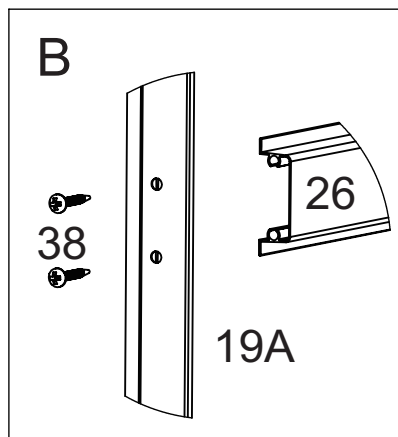
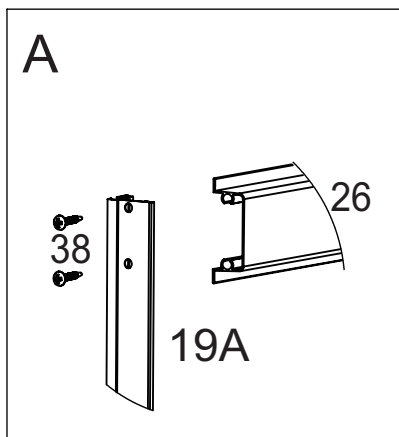
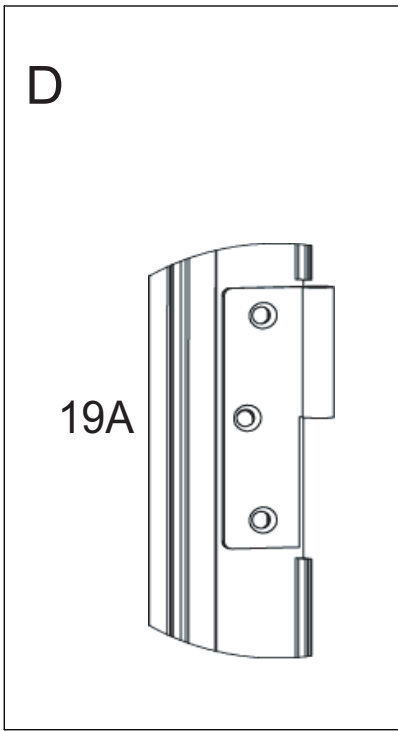
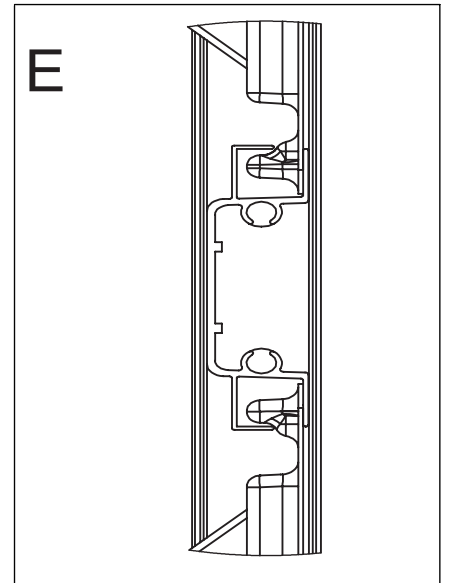
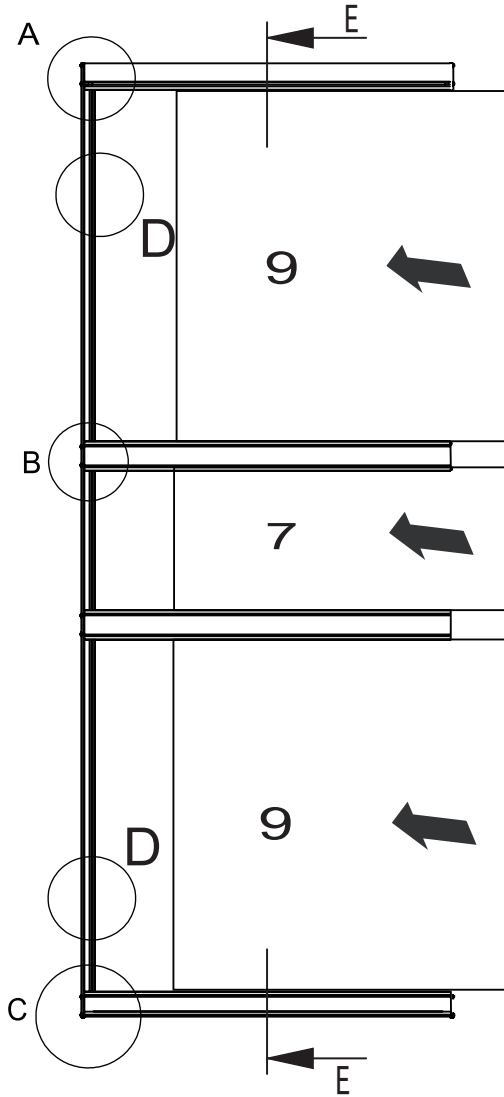
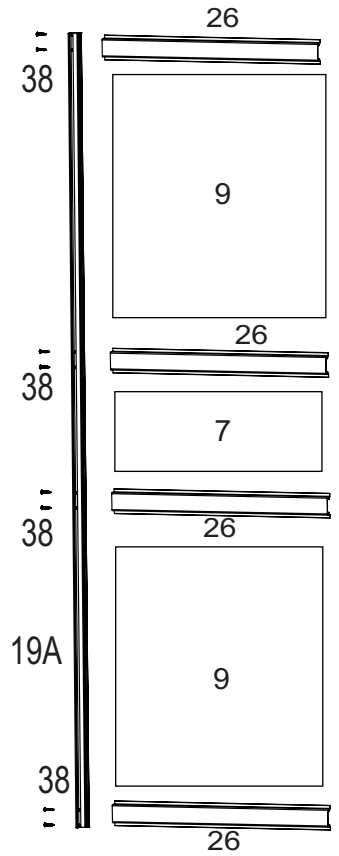
Assemble the frame of sliding door

Left

Art.Nr.	Qty.	Picture	Dimension(mm)
19A	1PC		1682
26	4PC		561
38	8		
PC panels			
7	1PC		560*320
9	2PC		592*560

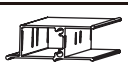

Install accessories in A/b/C order first, then insert 7/9 PC board

A magnetic screwdriver is required to assemble the door

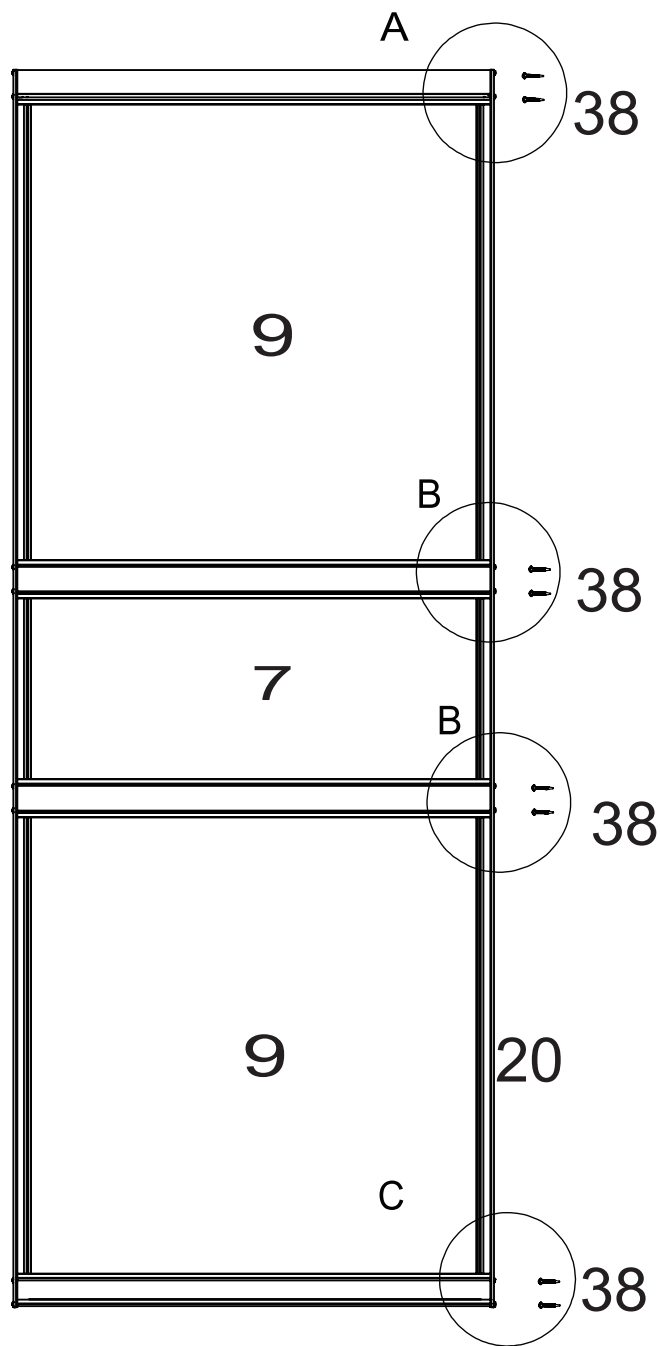
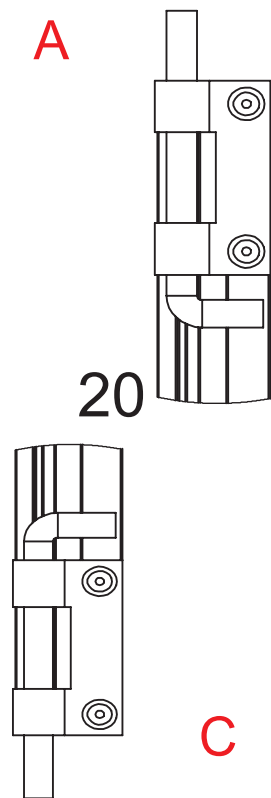


Assemble the frame of sliding door

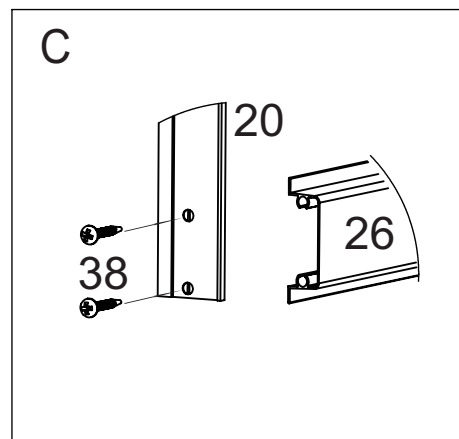
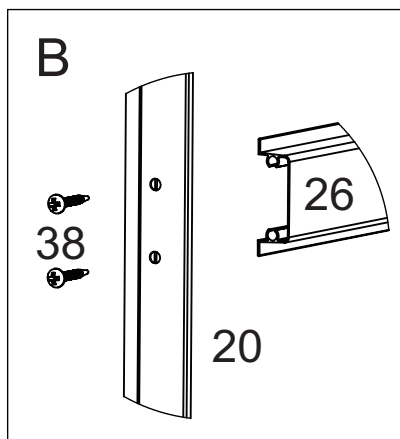
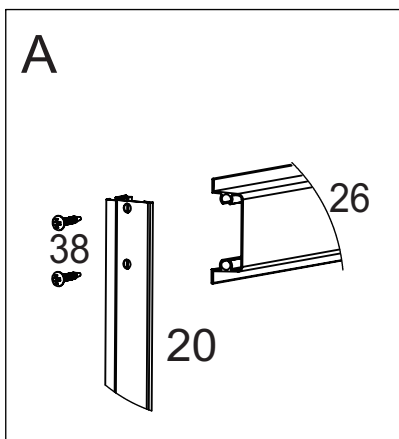
A magnetic screwdriver is required to assemble the door

Art.Nr.	Qty.	Picture	Dimension(mm)
20	1PC		1682
38	8PC		

Fitting No. 20 installed

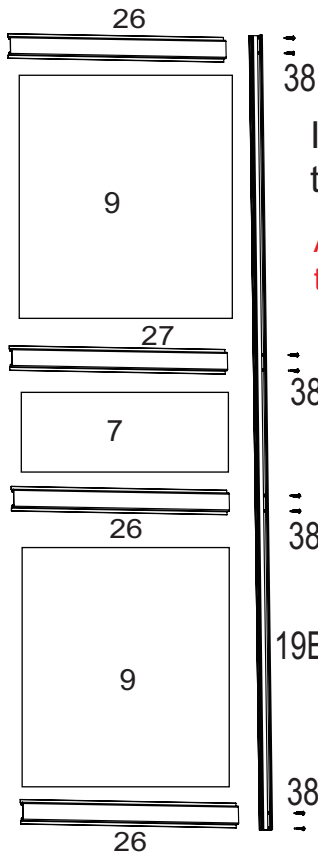


The A/C section is already installed



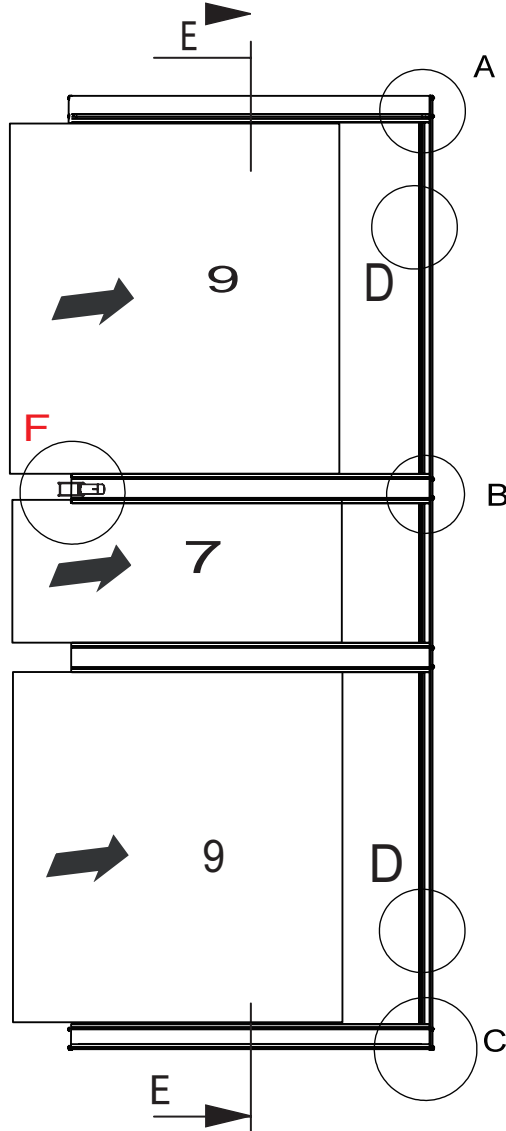
Right

Assemble the frame of sliding door



Install accessories in A/b/C order first, then insert 7/9 PC board

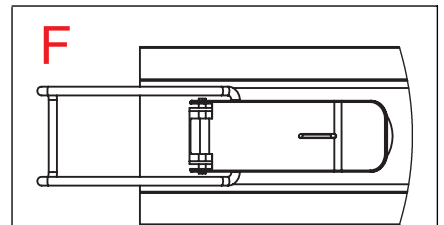
A magnetic screwdriver is required to assemble the door



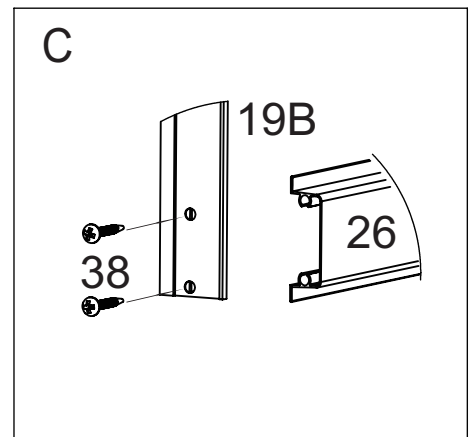
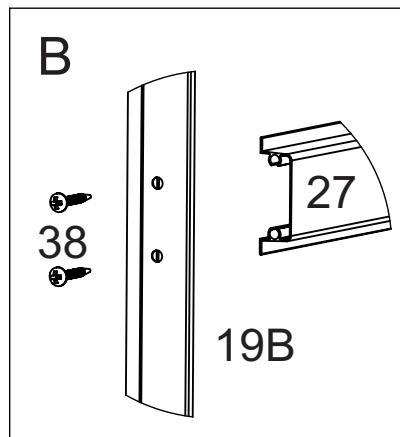
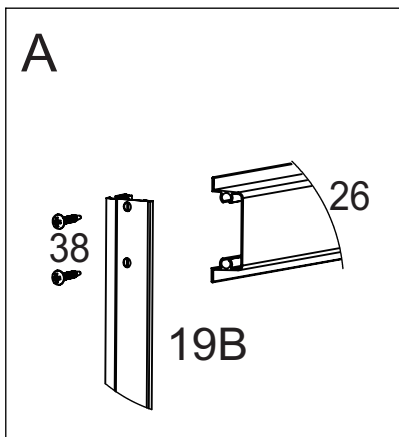
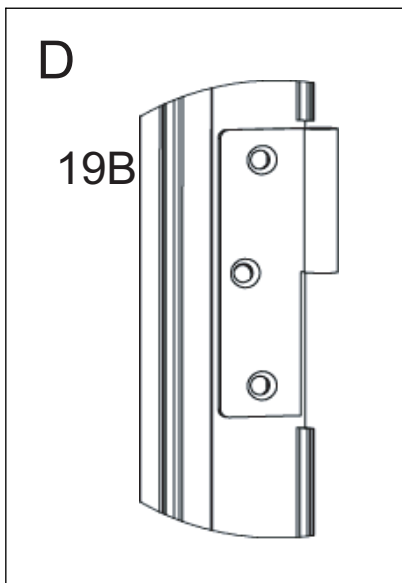
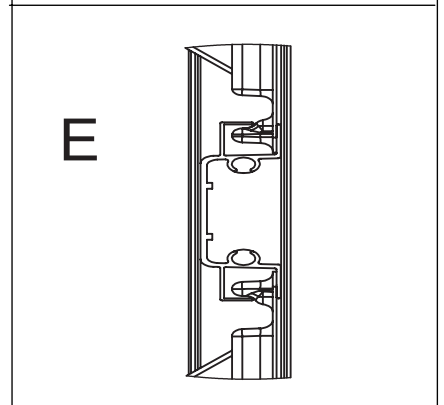
Art.Nr.	Qty.	Picture	Dimension(mm)
19B	1PC		1682
26	3PC		561
27	1PC		
38	8		

PC panels

7	1PC		560*320
9	2PC		592*560

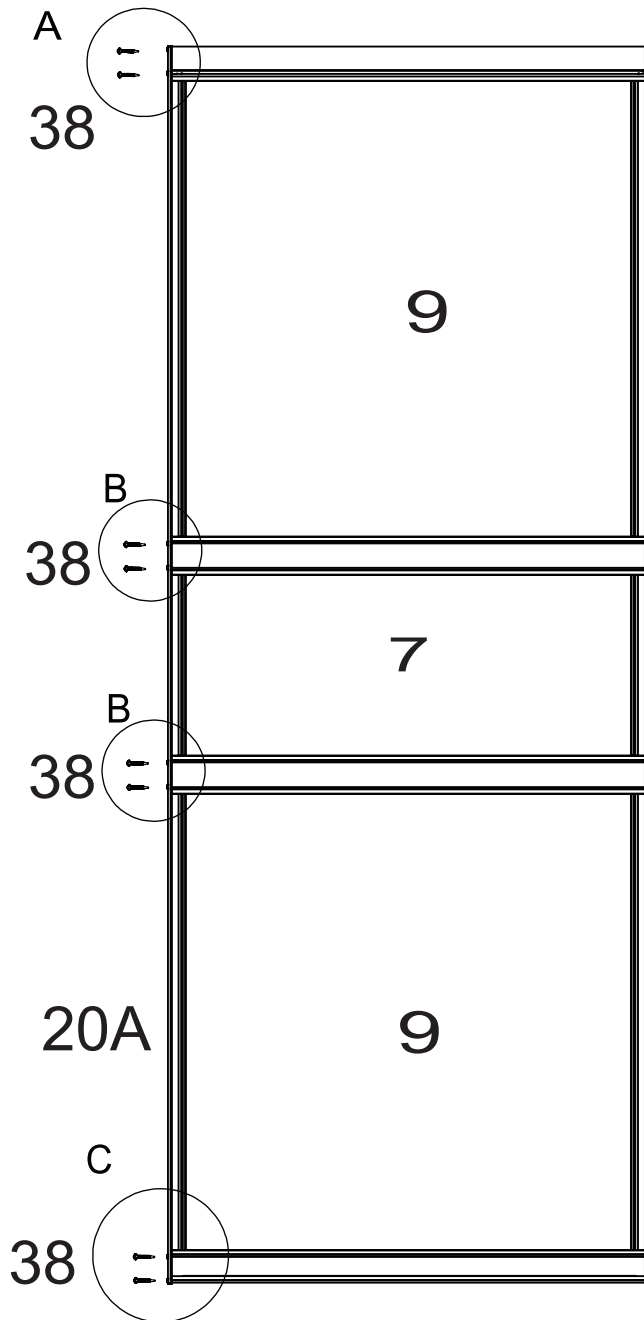




Note the mounting direction of the No. 27 latch



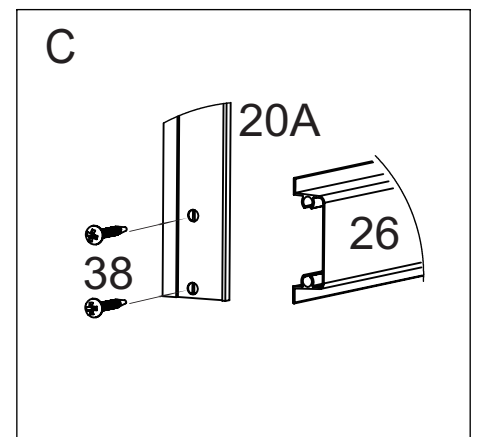
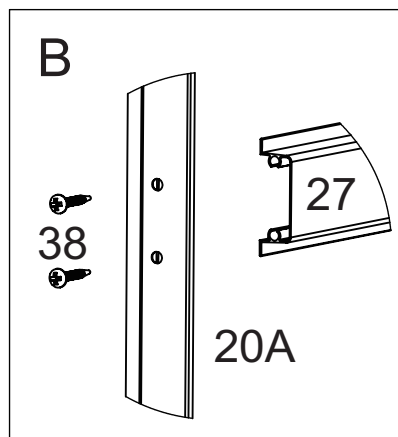
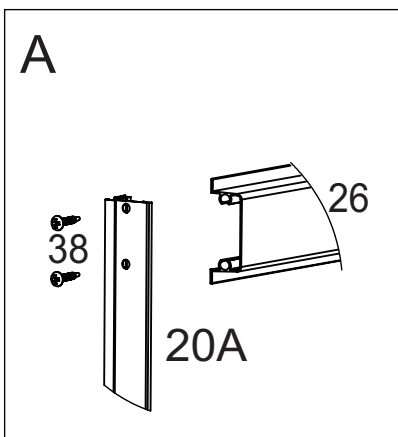
A magnetic screwdriver is required to assemble the door

Assemble the frame of sliding door



Art.Nr.	Qty.	Picture	Dimension(mm)
20A	1PC		1682
38	8PC		

Fitting No. 20A installed



Foundation assembling

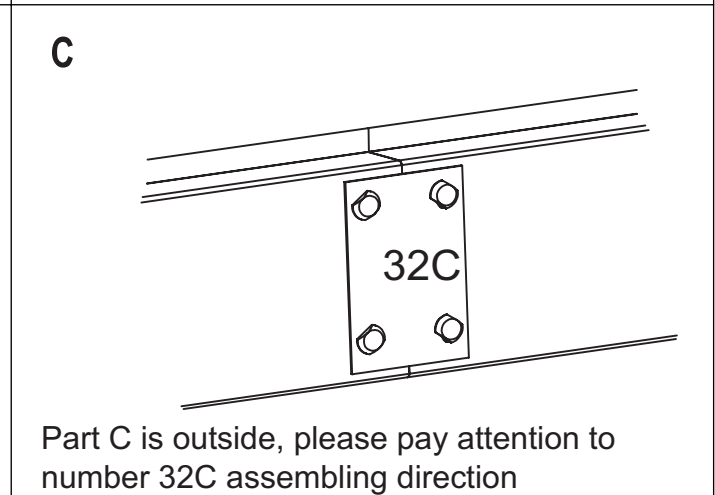
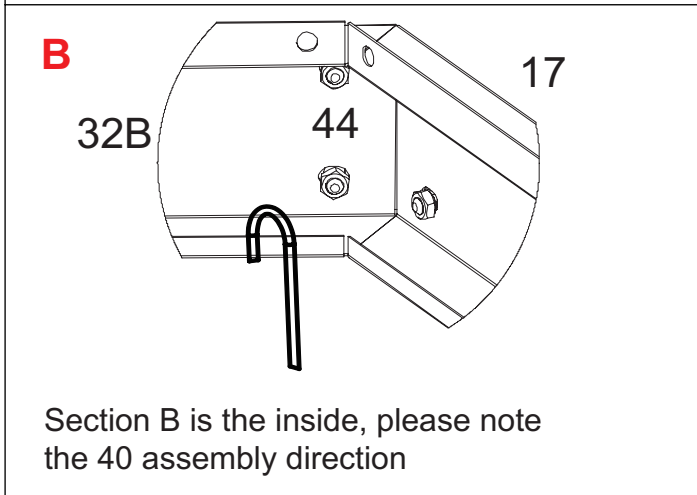
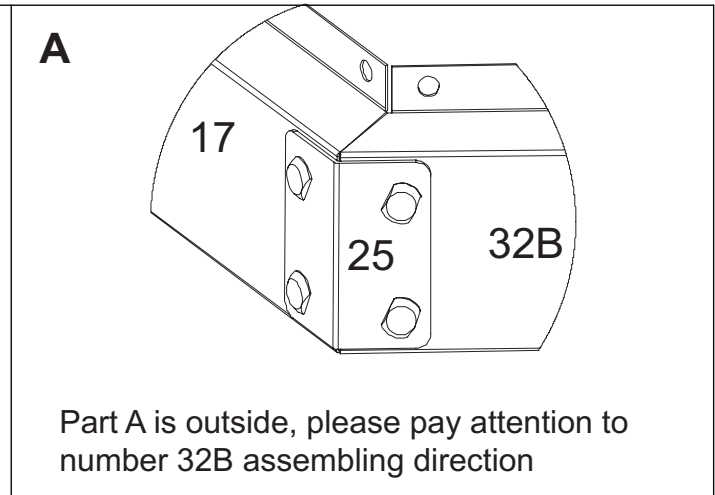
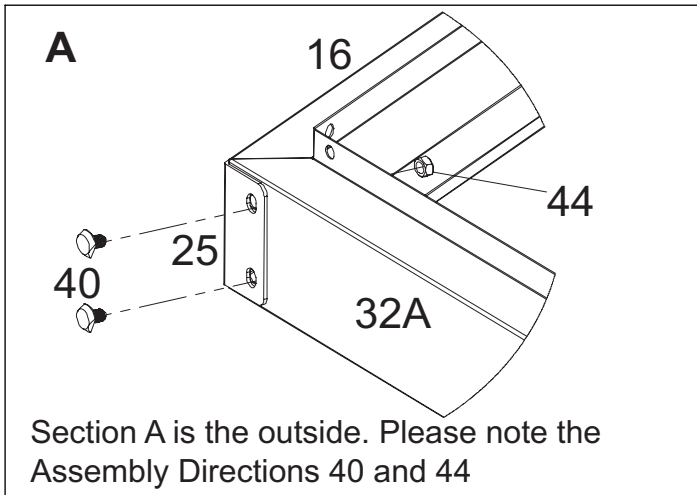
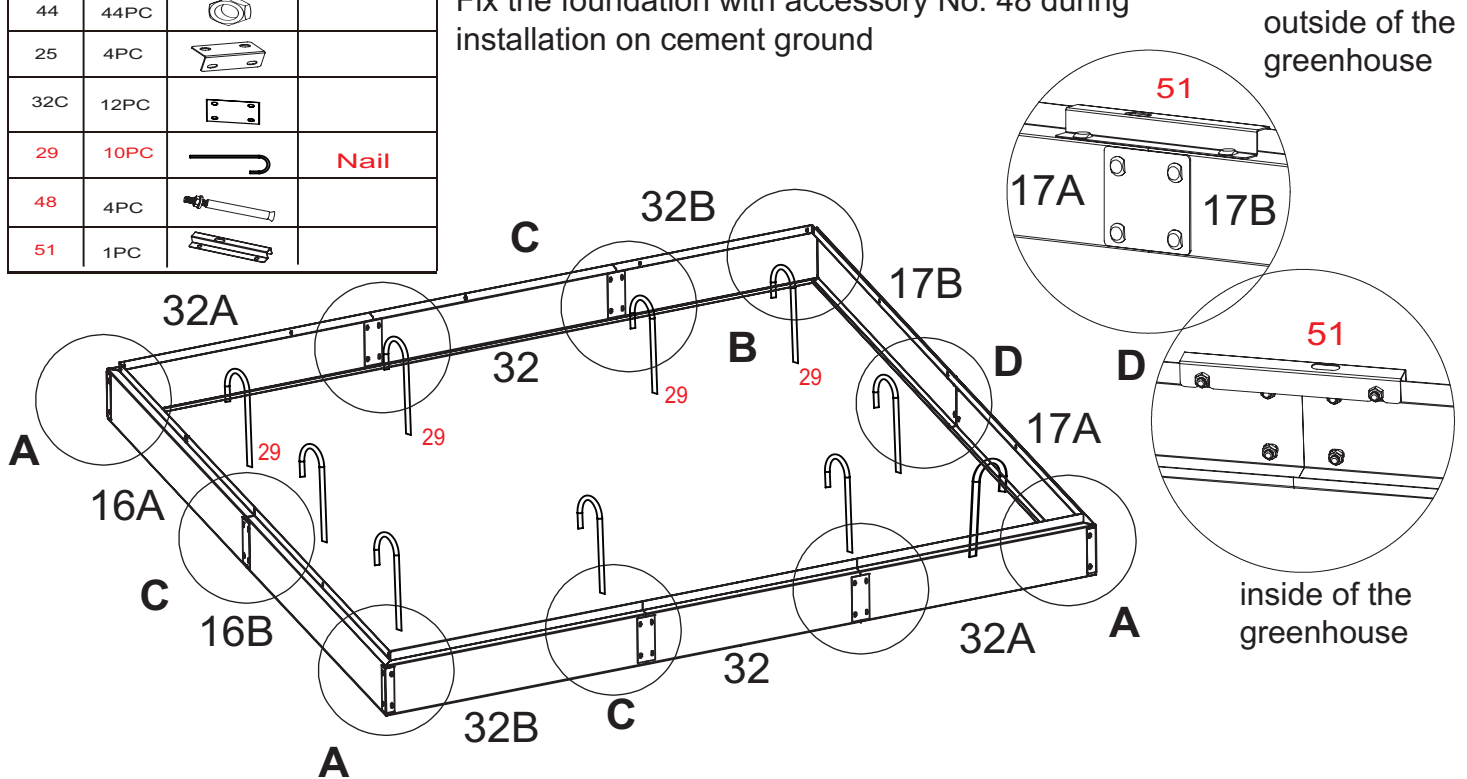
Art.Nr.	Qty.	Picture	Dimension(mm)
32	2PC		1222
32A/32B	4PC		1543
16A/16B	2PC		1241
17A/17B	2PC		1241
40	44PC		
44	44PC		
25	4PC		
32C	12PC		
29	10PC		Nail
48	4PC		
51	1PC		

Base Mount




32A/32B fittings are connected with fittings 25/32C, then fixed from the outside with No. 40 screw and tightened with No. 44 nut.

Fix the foundation with accessory 29 when installing on the grassland

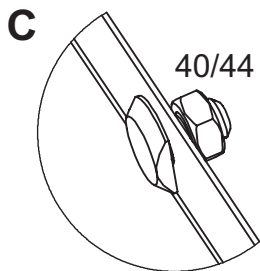
Fix the foundation with accessory No. 48 during installation on cement ground



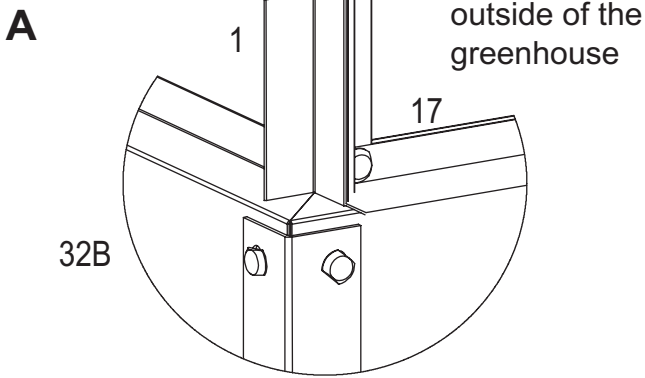
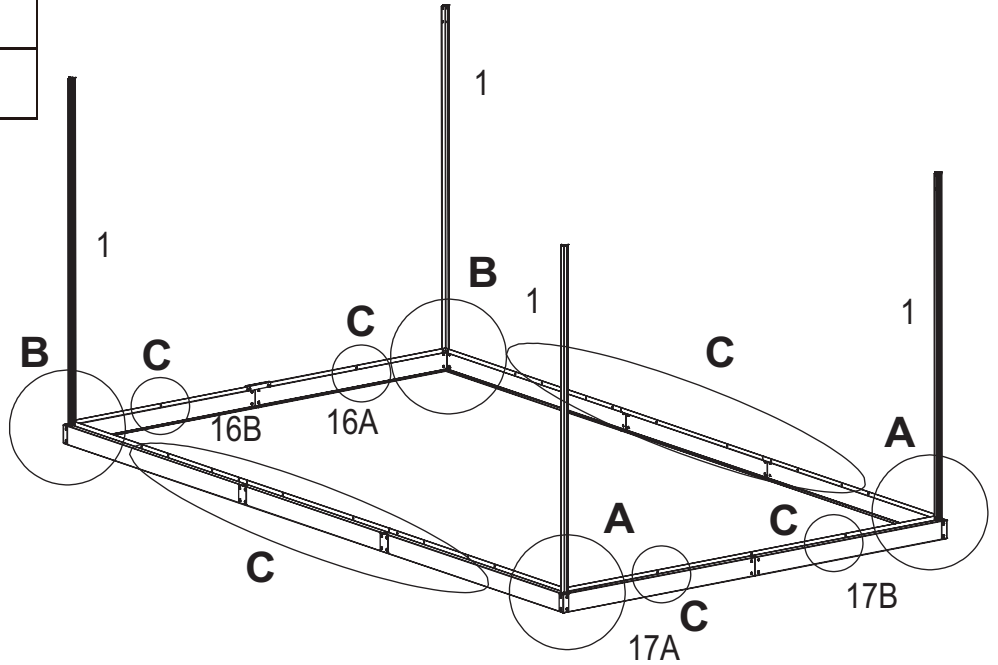
Foundation assembling

Art.Nr.	Qty.	Picture	Dimension(mm)
1	4PC		1285
40	24PC		
44	24PC		

Four corner column mount



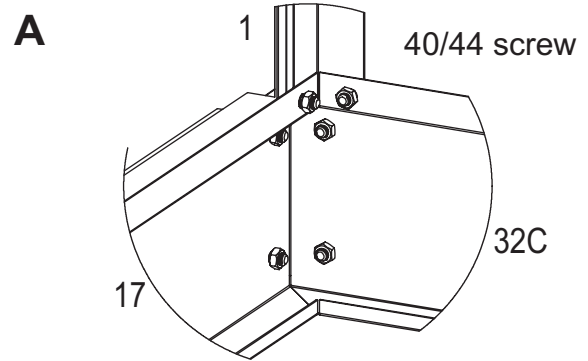
The C part is pre-loaded with screws



outside of the greenhouse

32B

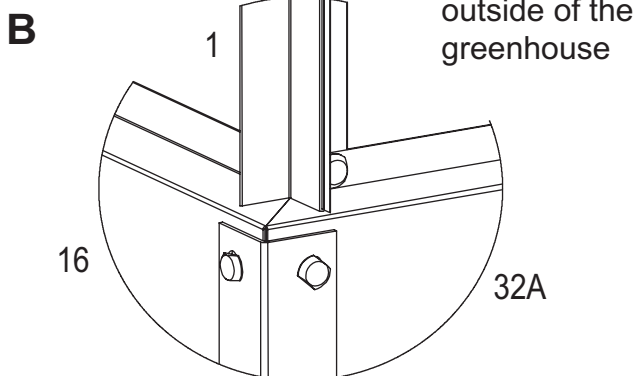
Fitting 1/17 is screwed to the base



40/44 screw

inside of the greenhouse

32C

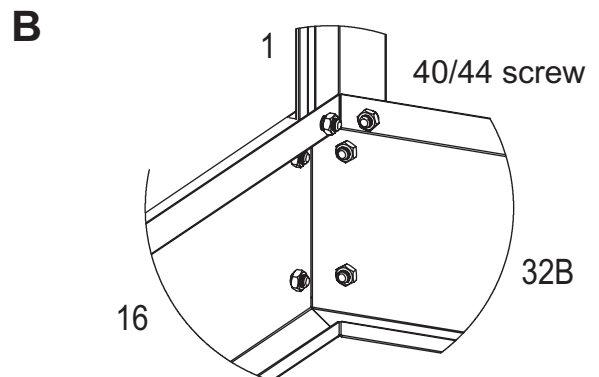


outside of the greenhouse

16

32A

The No. 1 fitting is fixed on the base



40/44 screw

inside of the greenhouse

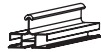
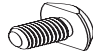

32B

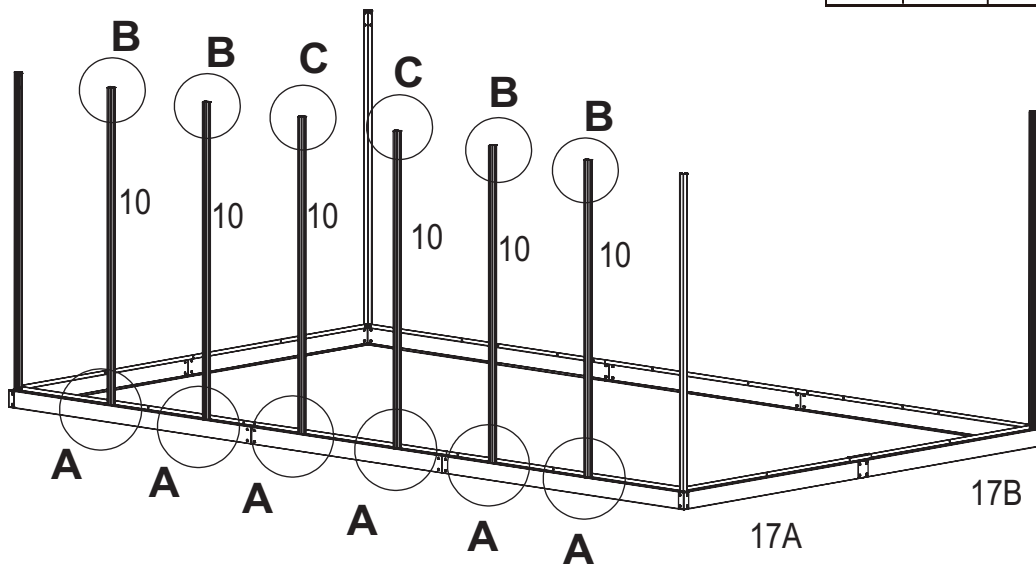
16

Left

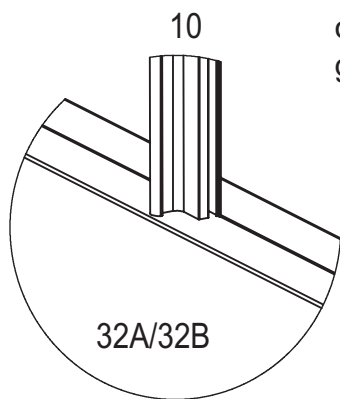
two people must be there

Foundation assembling

Art.Nr.	Qty.	Picture	Dimension(mm)
10	6PC		1285
40	10PC		
44	10PC		



A

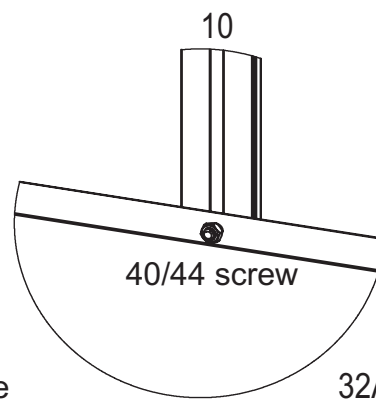


outside of the greenhouse

32A/32B

10 is fixed to the base

A

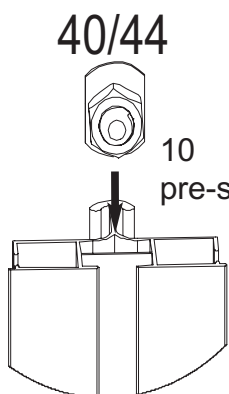


inside of the greenhouse

40/44 screw

32A/32B

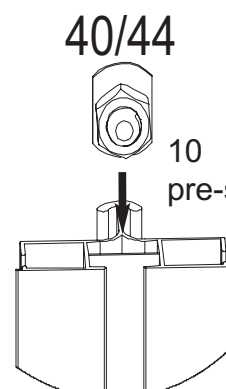
B



10
pre-set 2 screws

The B part is pre-loaded with screws

C




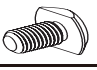

10
pre-set 1 screws

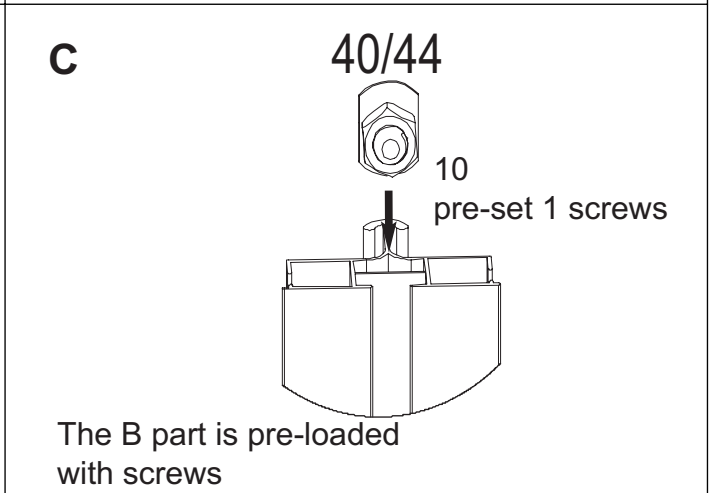
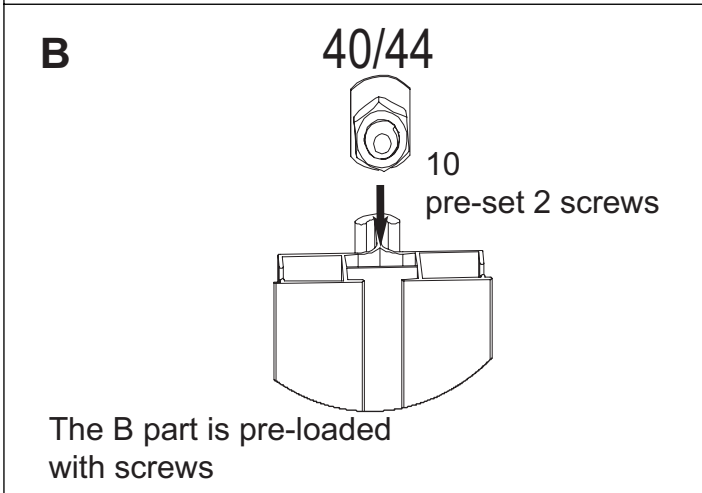
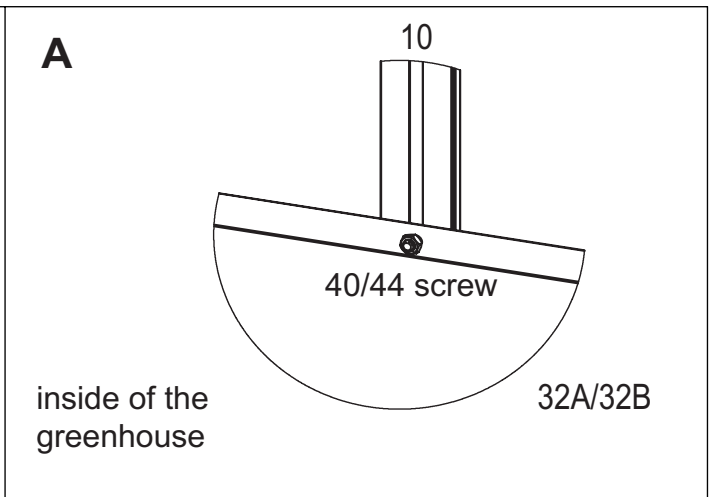
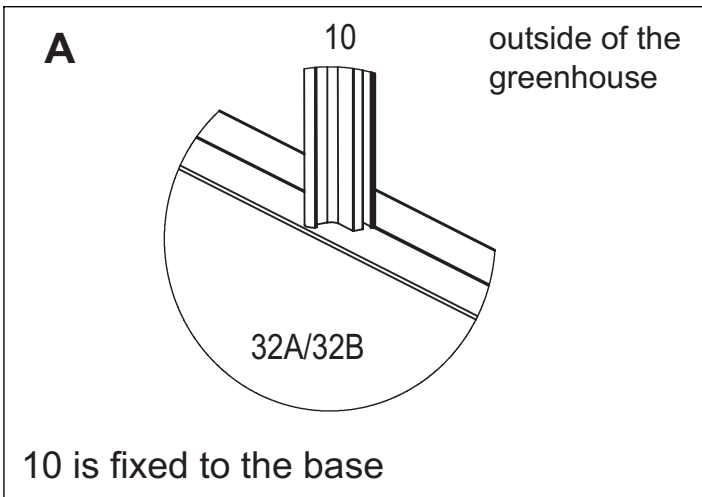
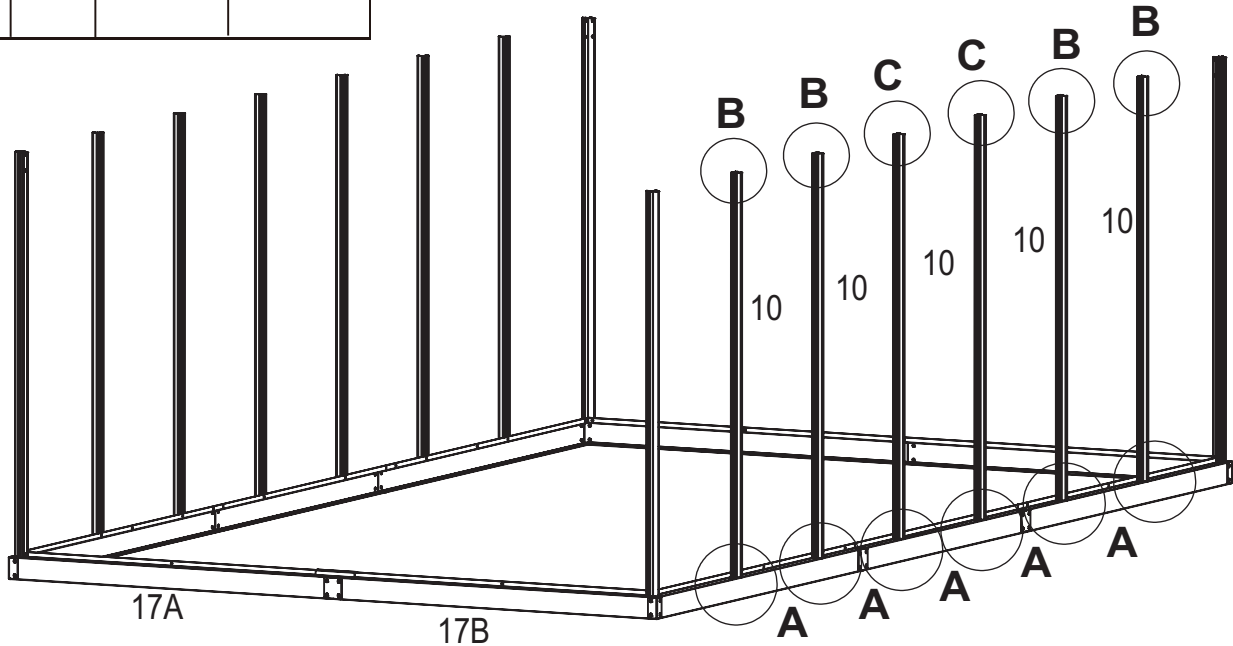
The B part is pre-loaded with screws

Foundation assembling

two people must be there

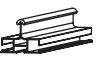
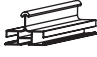




Right

Art.Nr.	Qty.	Picture	Dimension(mm)
10	6PC		1285
40	10PC		
44	10PC		

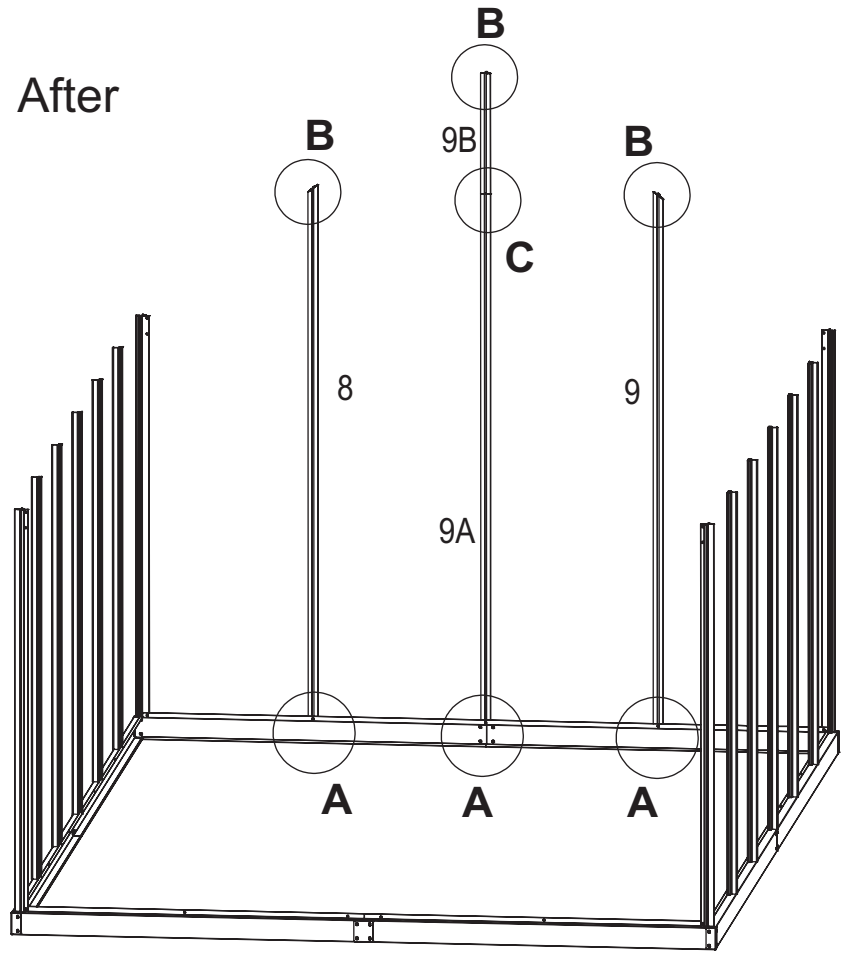


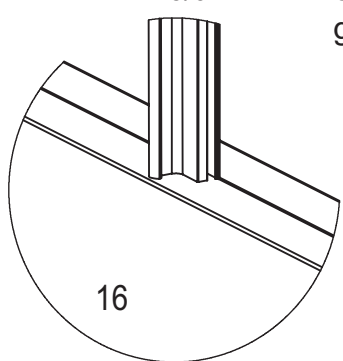
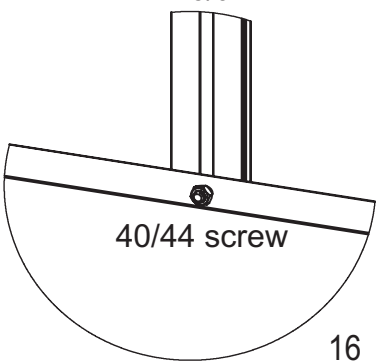
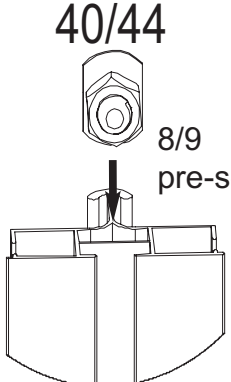
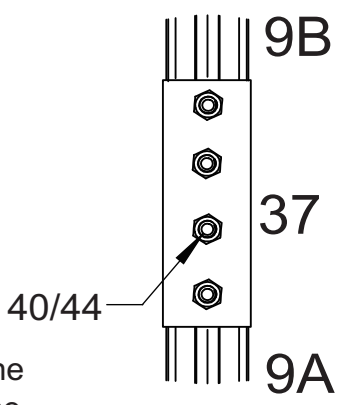
Foundation assembling

two people must be there

Art.Nr.	Qty.	Picture	Dimension(mm)
8/9	2PC		1715
9A	1PC		1698
9B	1PC		390
40	10PC		
48	10PC		
37	1PC		

After

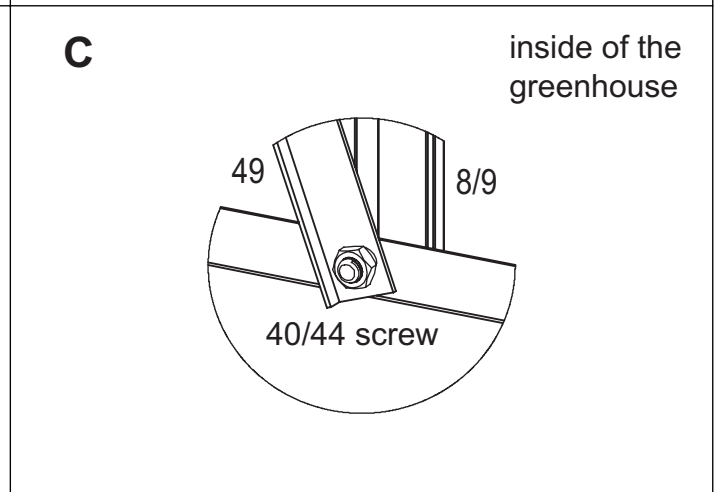
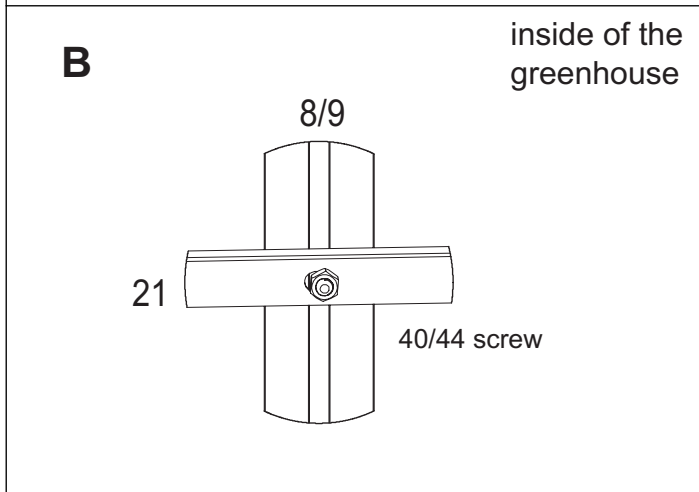
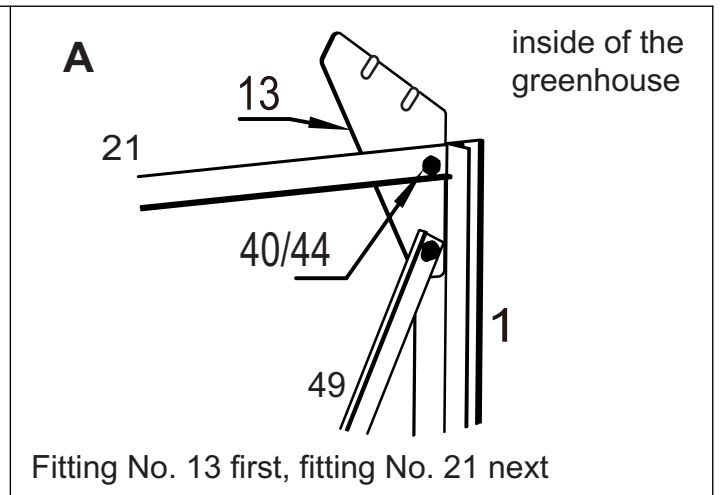
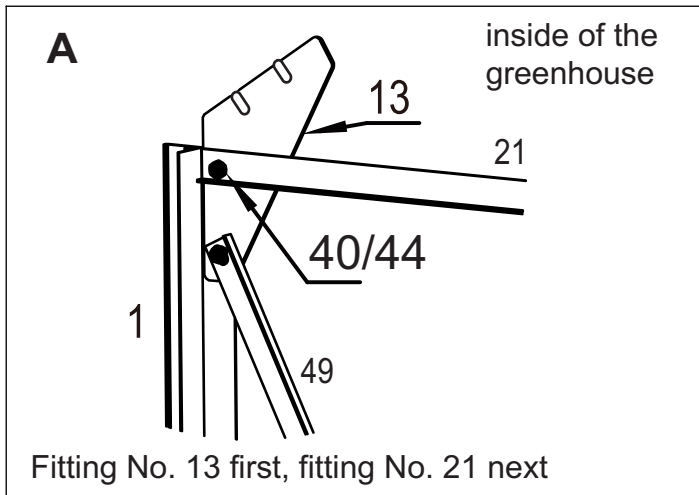
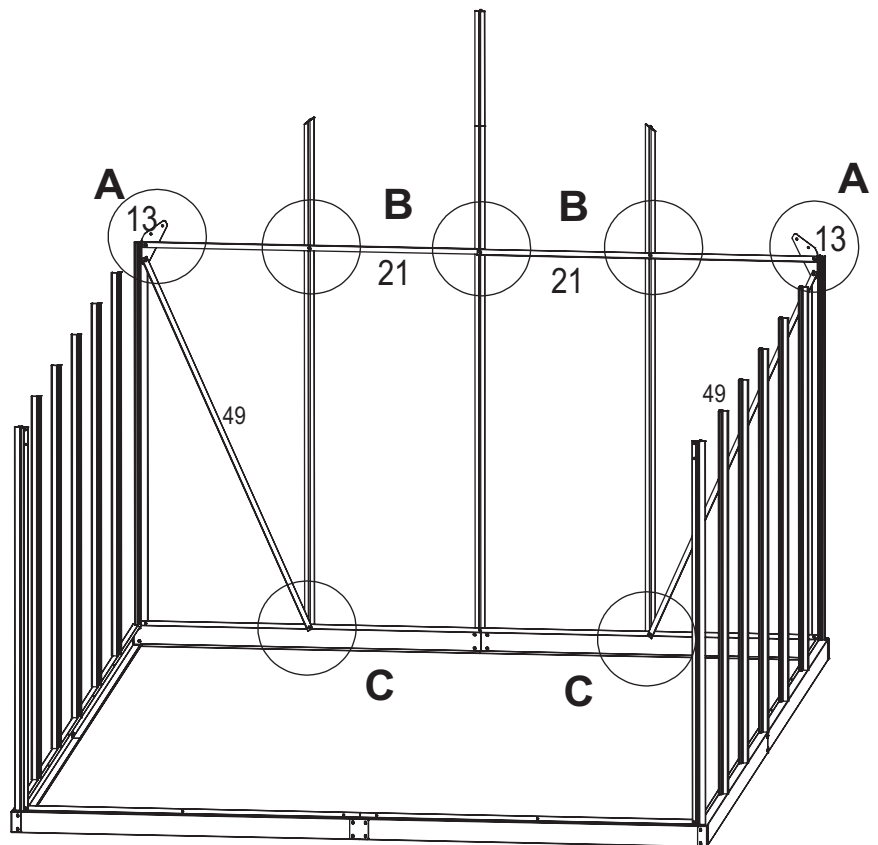


<p>A</p>  <p>8/9 outside of the greenhouse</p> <p>16</p> <p>10 is fixed to the base</p>	<p>A</p>  <p>8/9</p> <p>40/44 screw</p> <p>16</p> <p>inside of the greenhouse</p>
<p>B</p>  <p>40/44</p> <p>8/9</p> <p>pre-set 2 screws</p> <p>The B part is pre-loaded with screws</p>	<p>C</p>  <p>9B</p> <p>37</p> <p>40/44</p> <p>9A</p> <p>inside of the greenhouse</p>

Foundation assembling

two people must be there

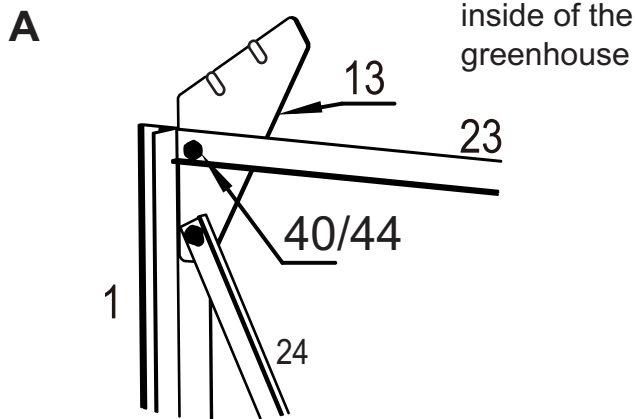
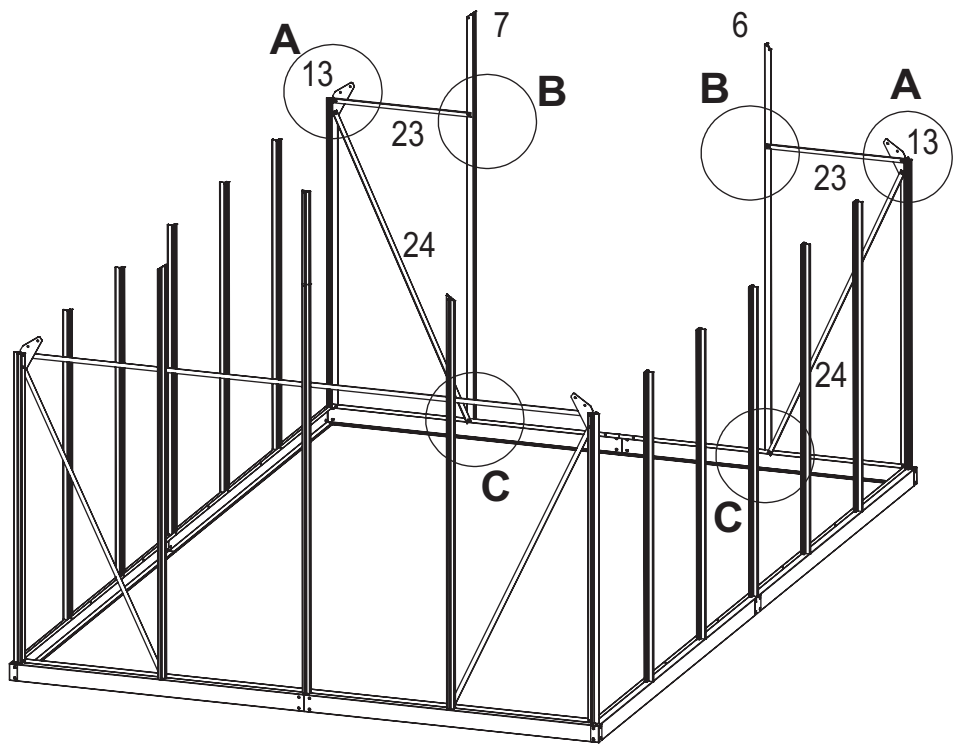
Art.Nr.	Qty.	Picture	Dimension(mm)
21	2PC		1214
13	2PC		
40	4PC		
44	4PC		
49	2PC		1372



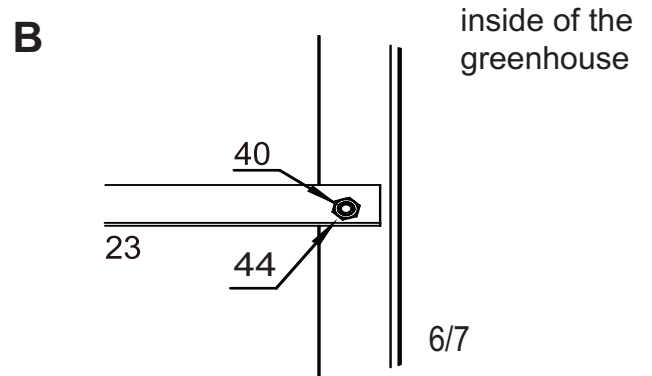
Foundation assembling

two people must be there

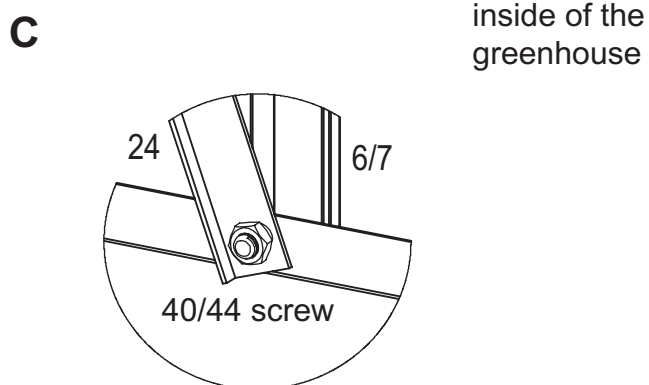
Art.Nr.	Qty.	Picture	Dimension(mm)
6	1PC		1696
7	1PC		1696
23	2PC		580
24	2PC		1358
13	2PC		
40	8PC		
44	8PC		



Fitting No. 13 first, fitting No. 23/24 next


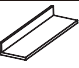
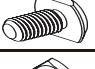



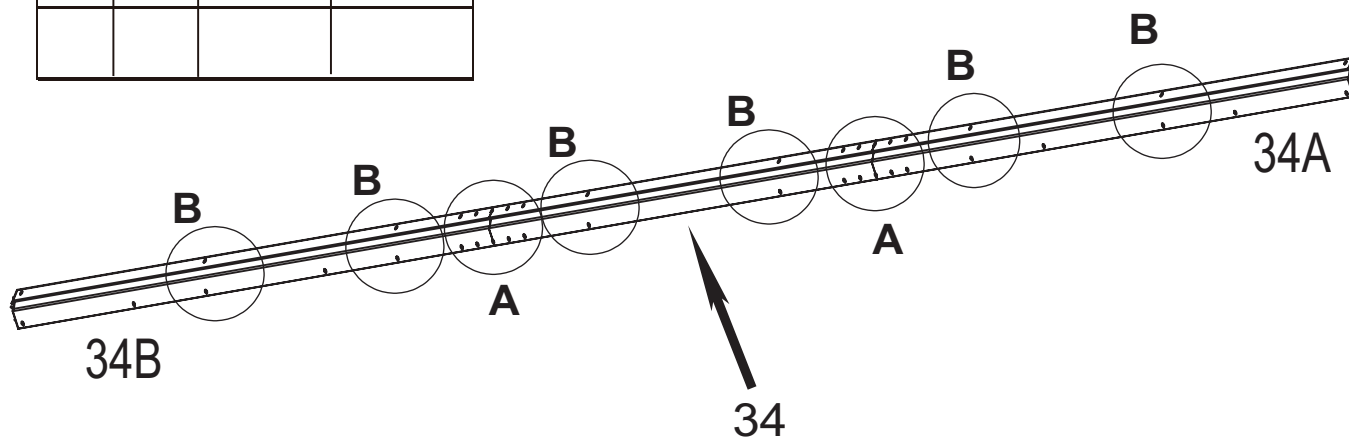
(picture direction from inside of the greenhouse)



Foundation assembling

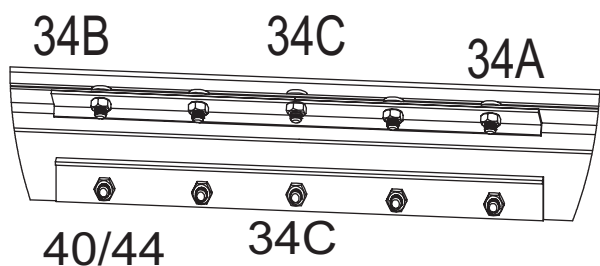
two people must be there

Art.Nr.	Qty.	Picture	Dimension(mm)
32	2PC		1218
34A/34B	4PC		1516
34C	8PC		
40	52PC		
44	52PC		



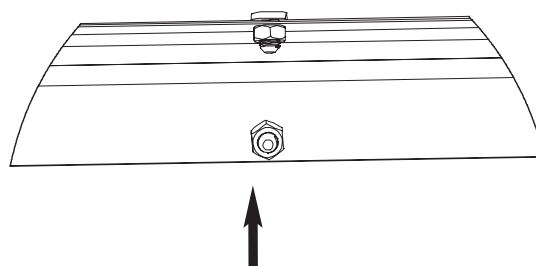
x2

A



34AB and 34C are connected and locked with 40/44 screws, while the middle screw does not need to be locked



B

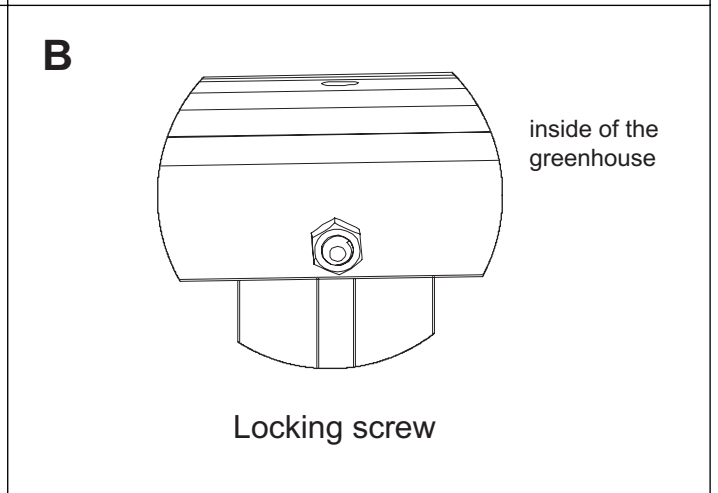
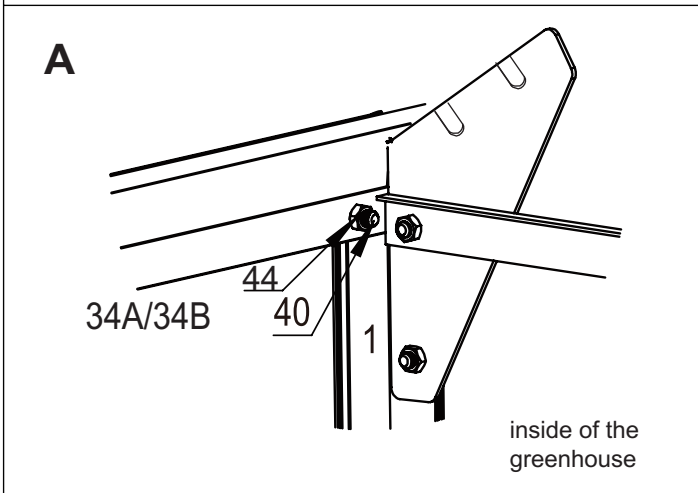
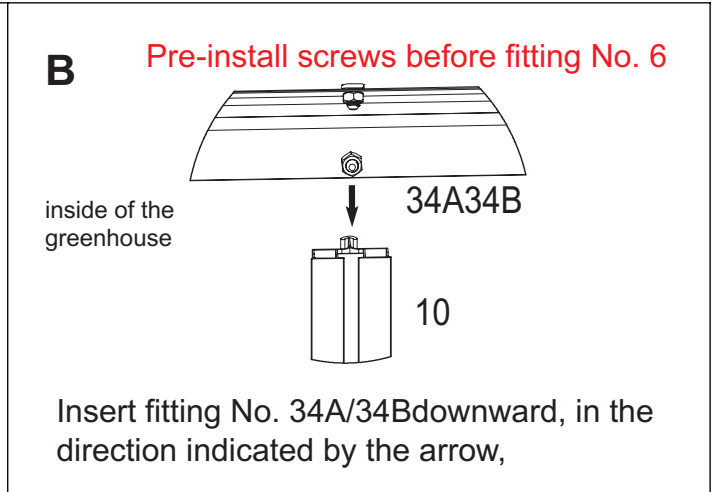
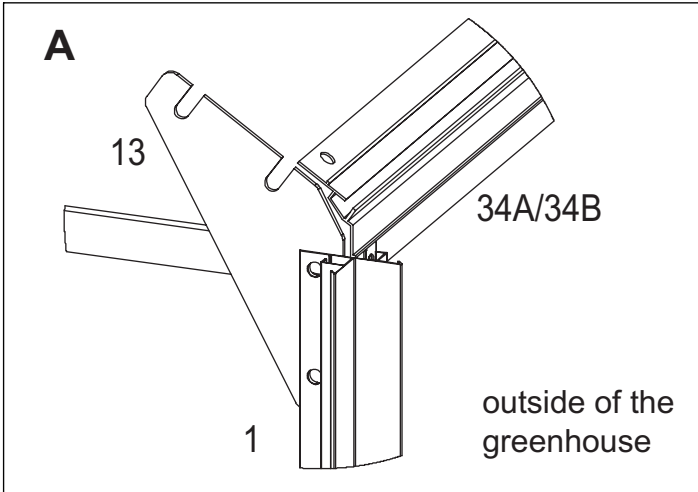
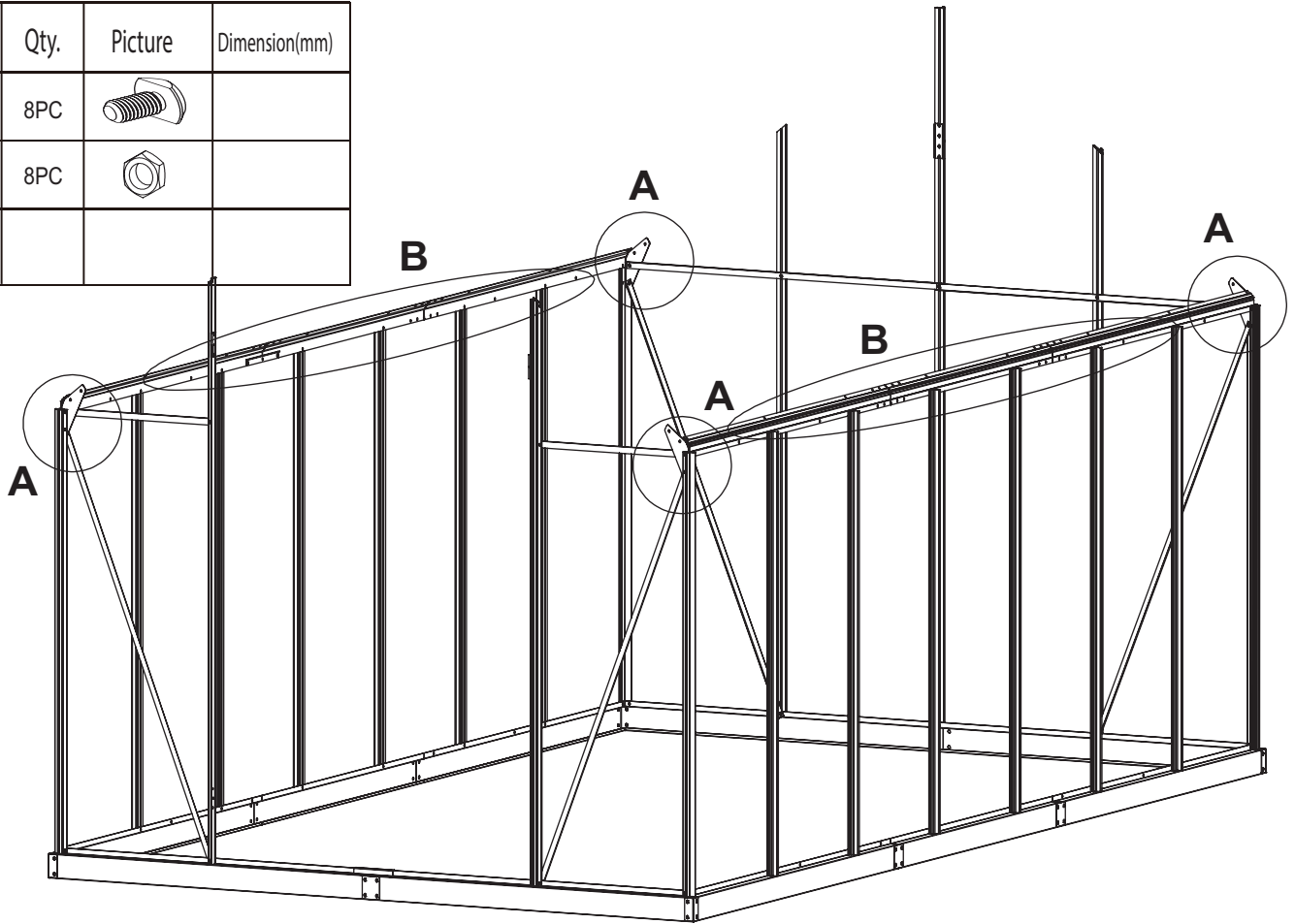


Pre installed screws, no need to tighten

Foundation assembling




two people must be there

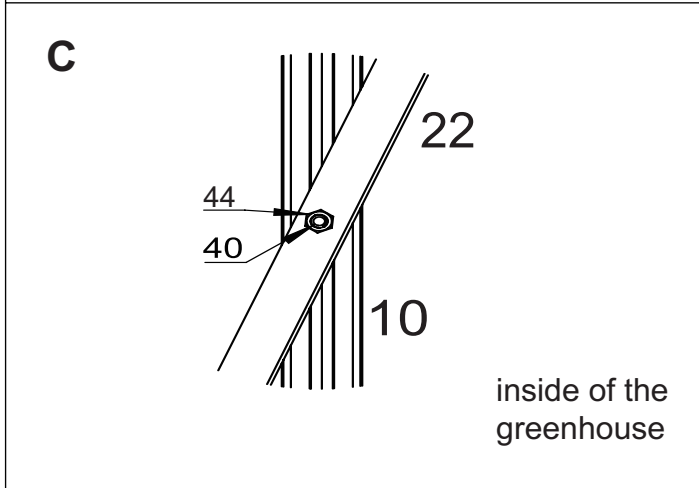
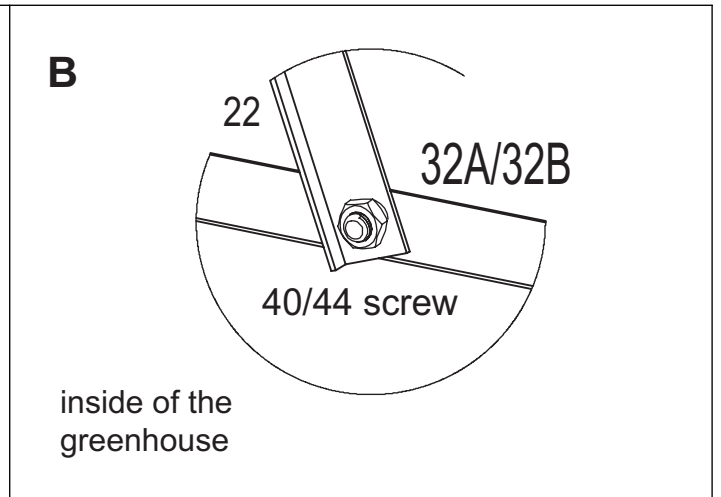
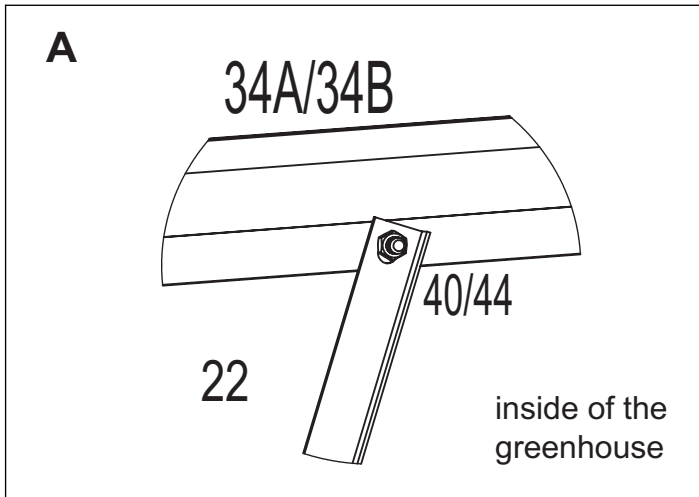
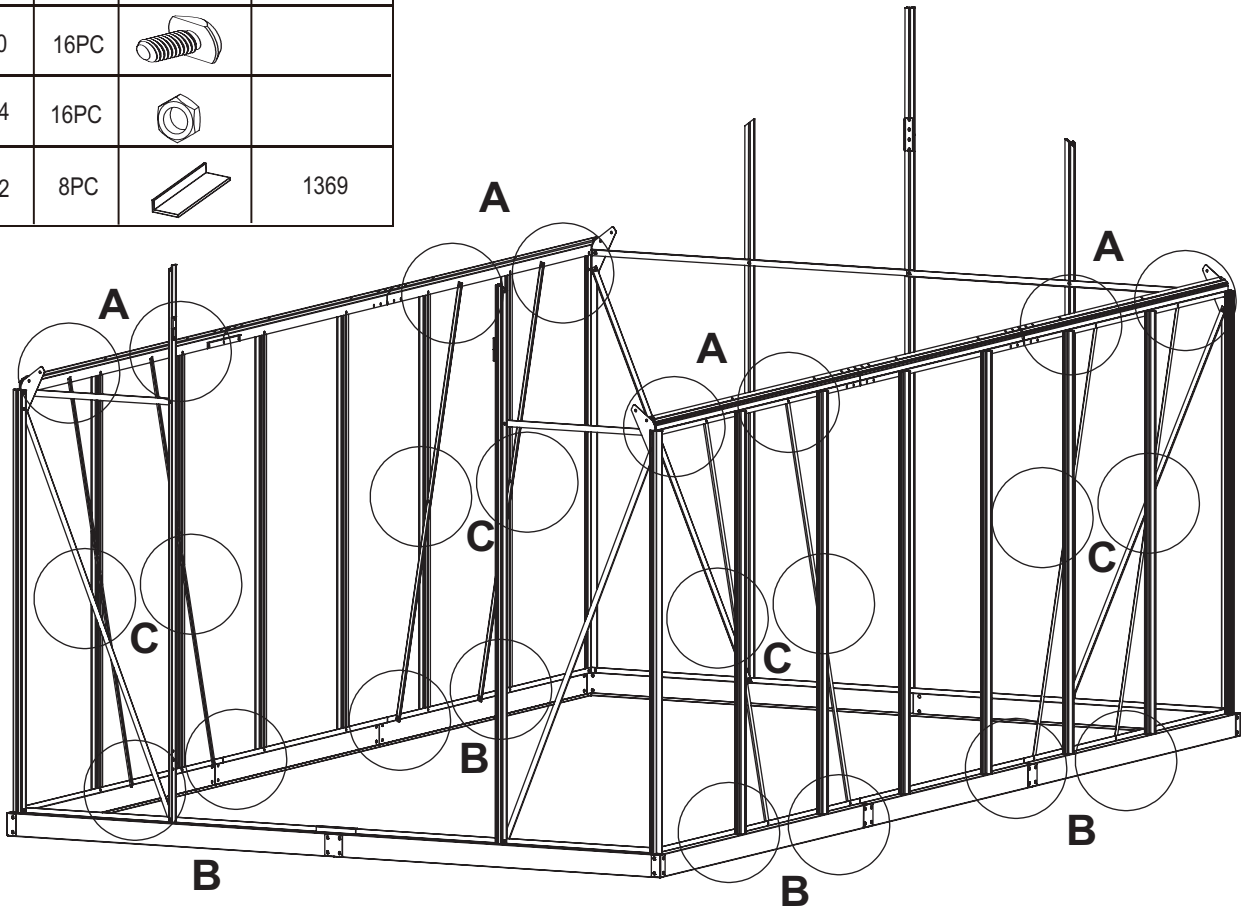
Art.Nr.	Qty.	Picture	Dimension(mm)
40	8PC		
44	8PC		





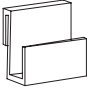
Foundation assembling

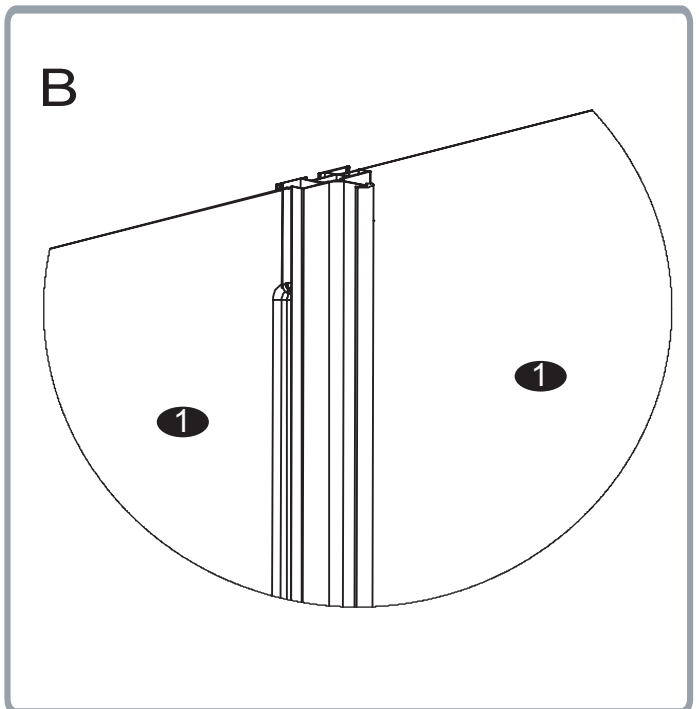
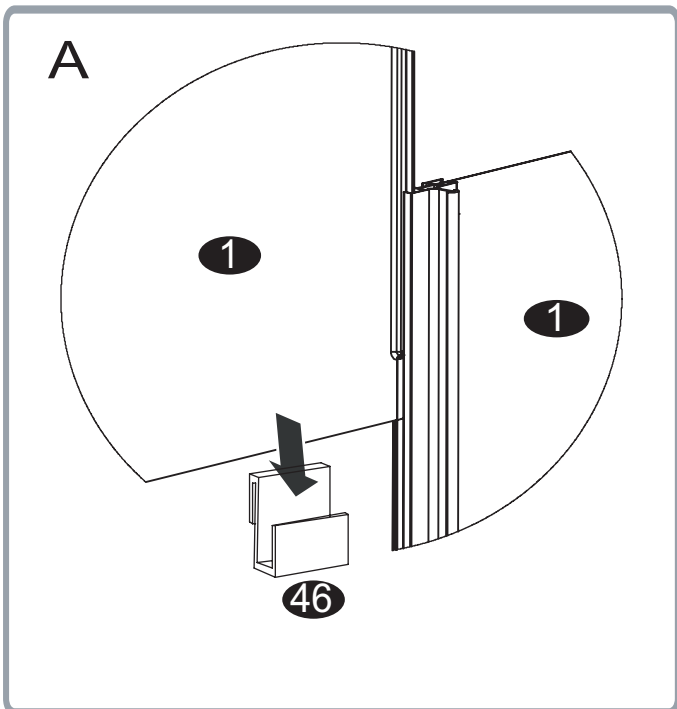
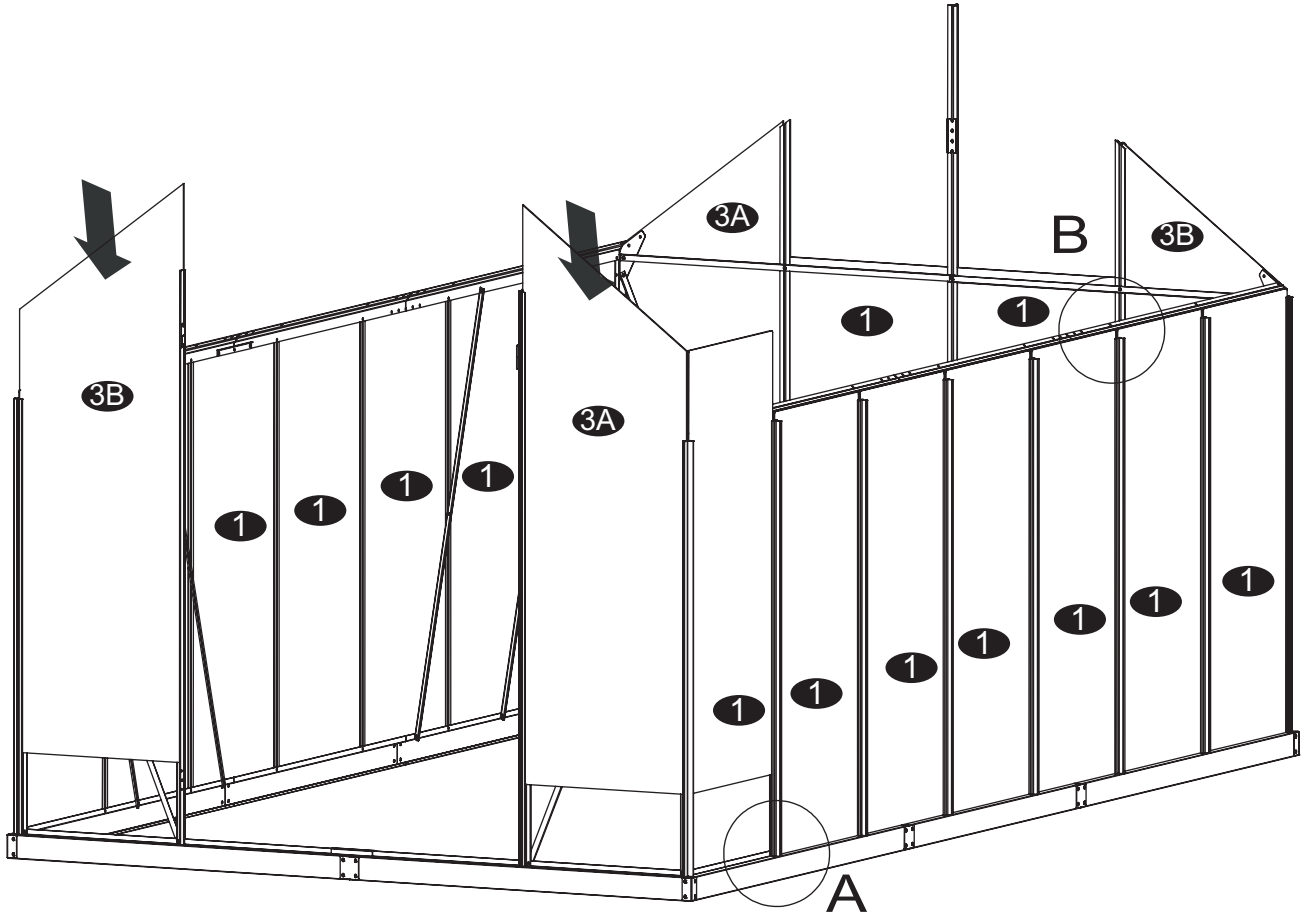
two people must be there

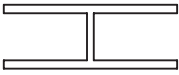
Art.Nr.	Qty.	Picture	Dimension(mm)
40	16PC		
44	16PC		
22	8PC		1369

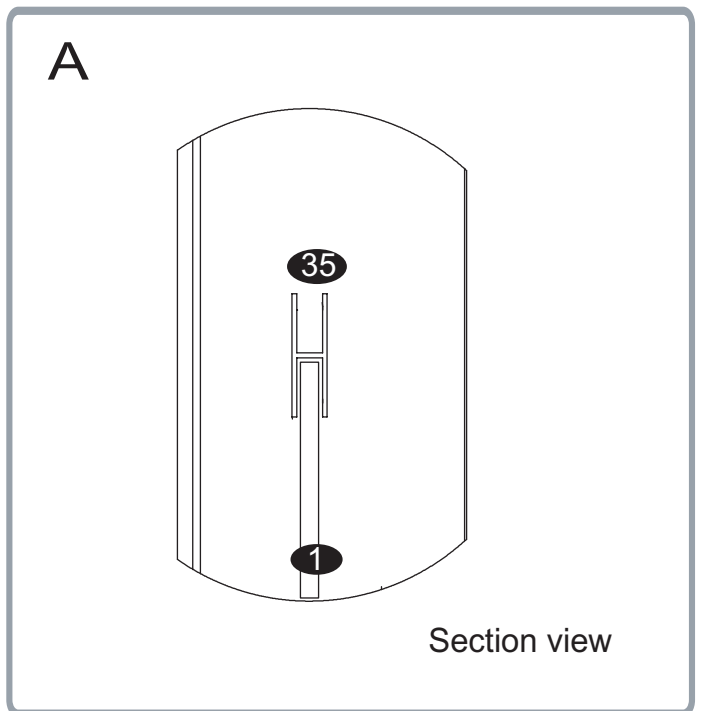
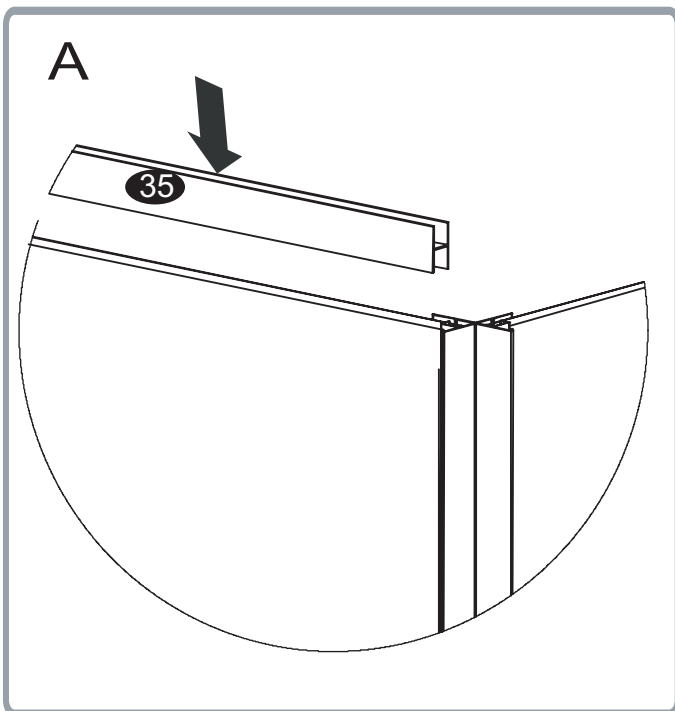
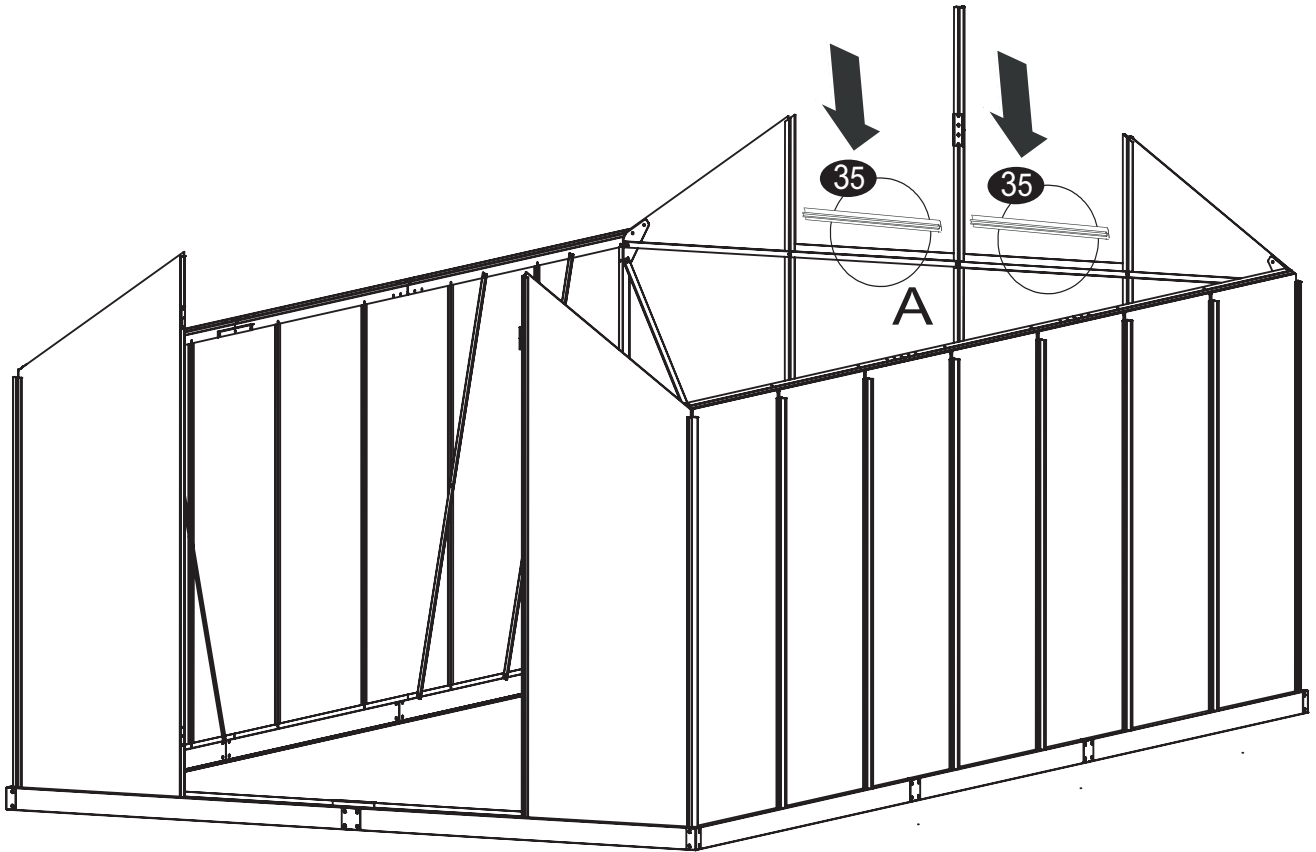


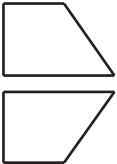
PC panels

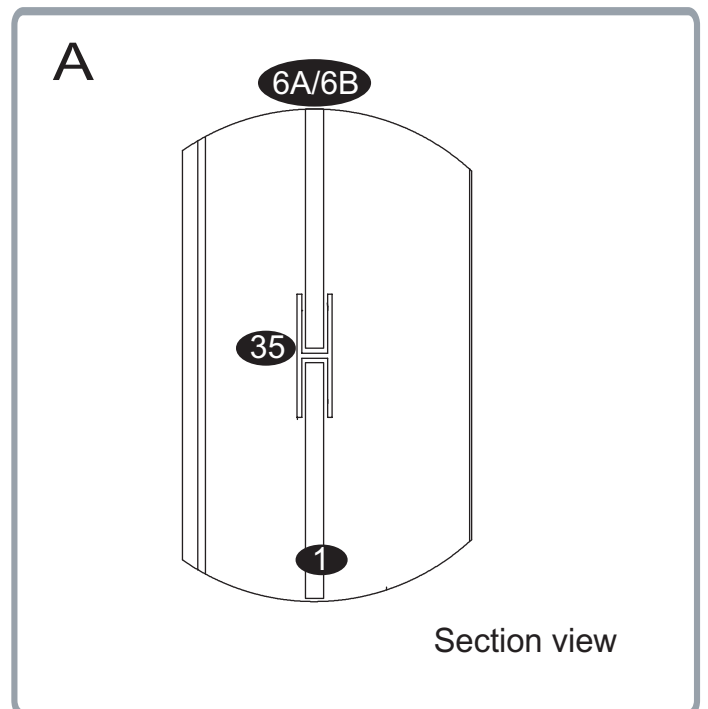
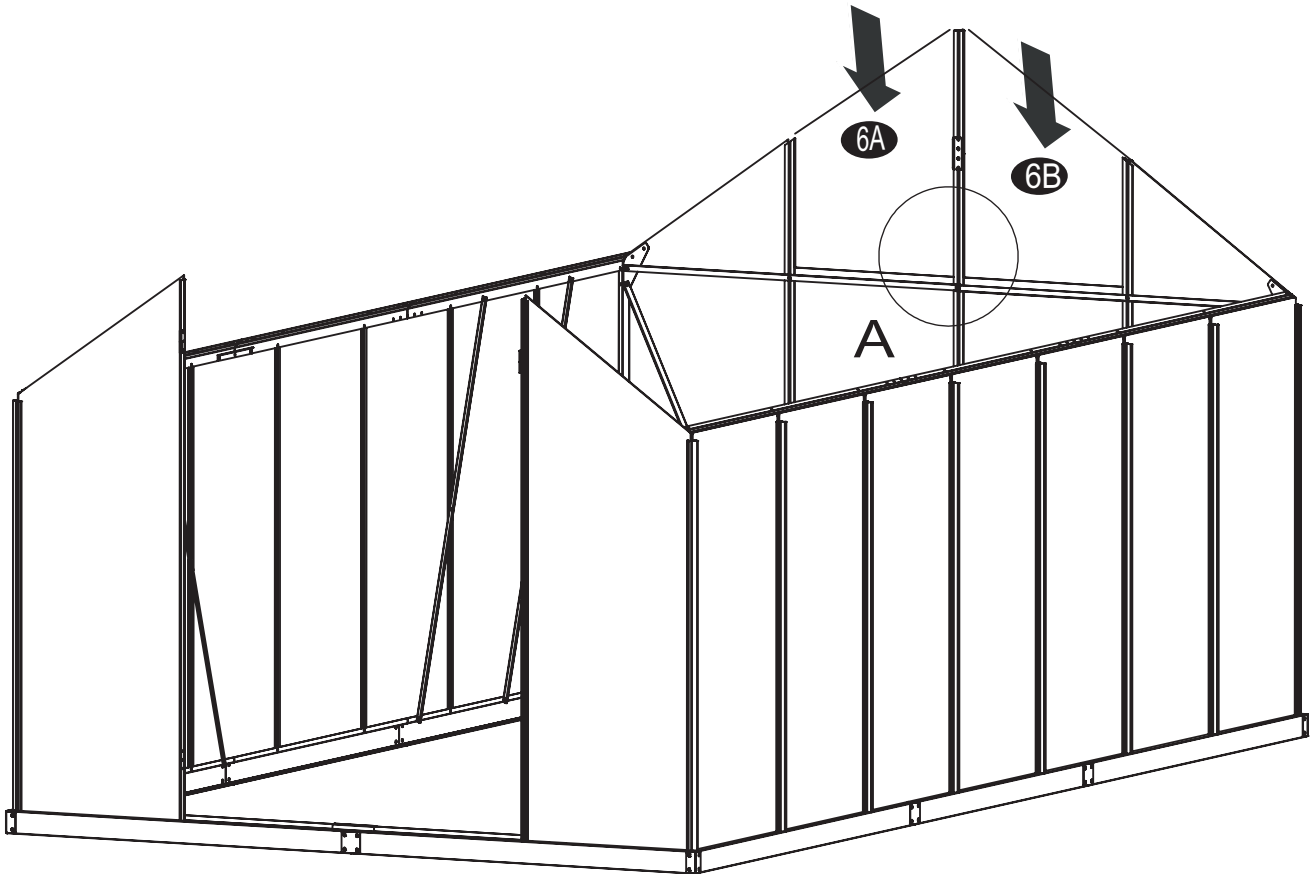
Art.Nr.	Qty.	Picture	Dimension(mm)
1	16PC		1310*595
3A/3B	4PC		1710*595
46	40PC		







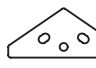
Art.Nr.	Qty.	Picture	Dimension(mm)
35	2PC		575




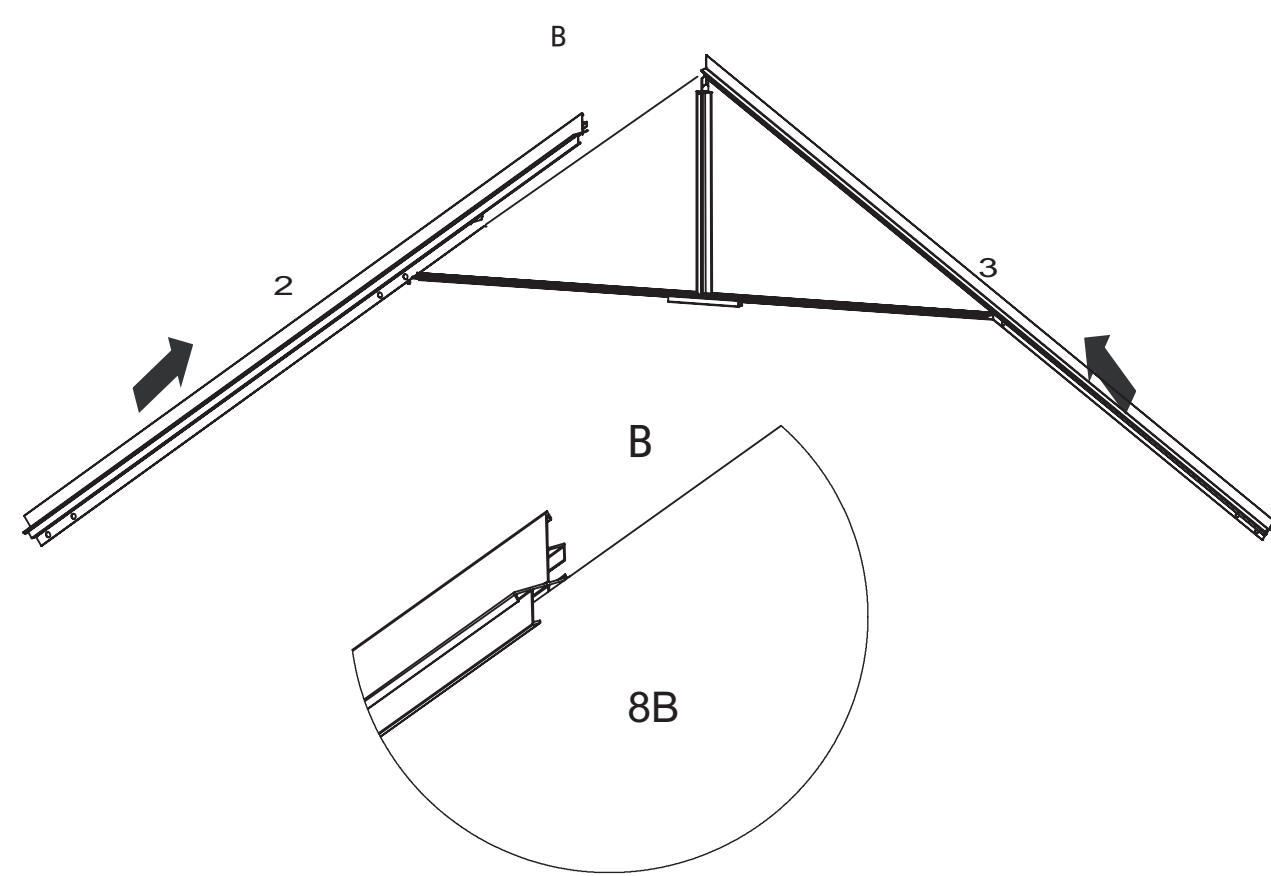
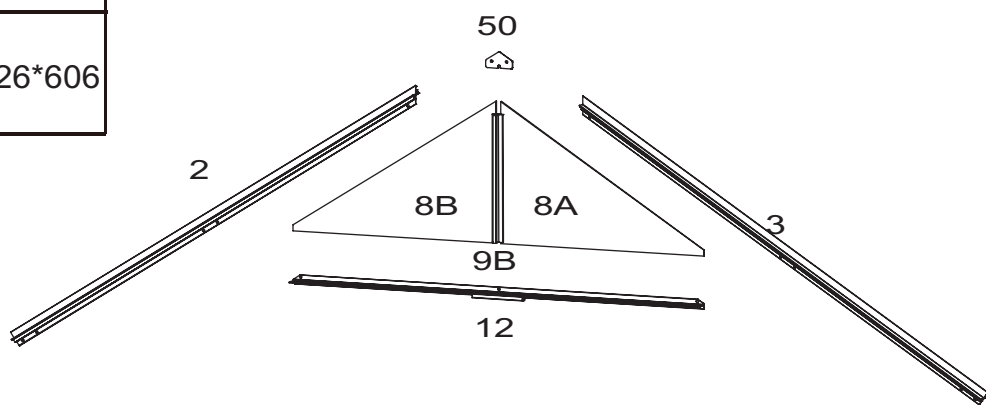
Art.Nr.	Qty.	Picture	Dimension(mm)
6A/6B	2PC		595*615





Assemble the frame of front wall

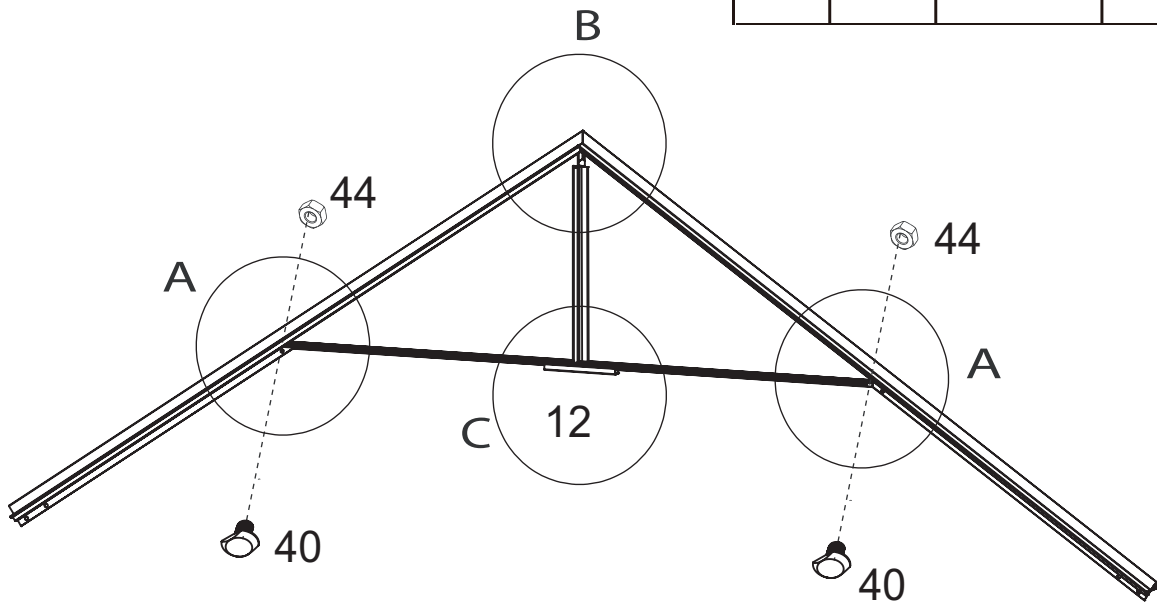
Art.Nr.	Qty.	Picture	Dimension(mm)
2	1PC		1462
3	1PC		1462
9B	1PC		390
12	1PC		1225
50	1PC		

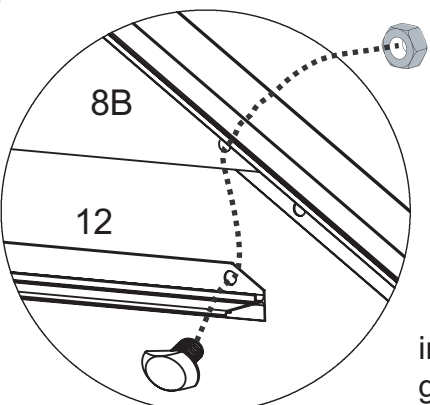
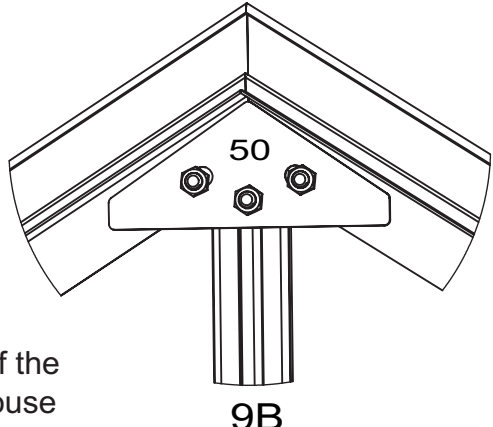
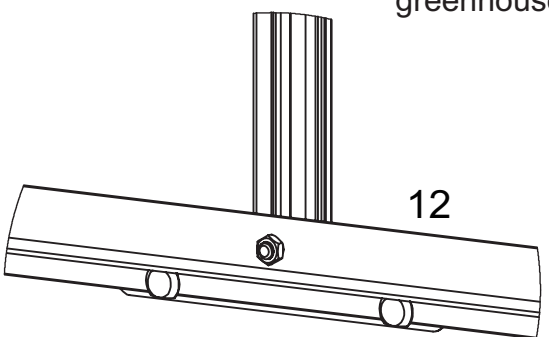
PC panels			
8A/8B	2PC		426*606



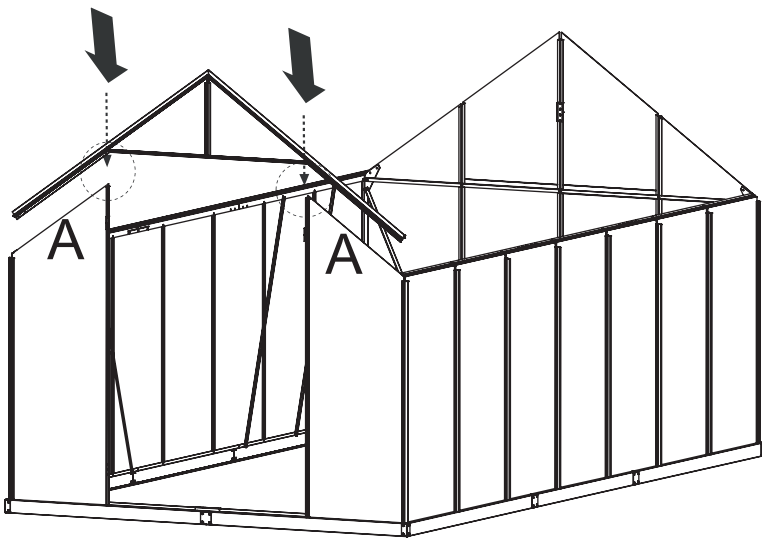
Assemble the frame of front wall

Art.Nr.	Qty.	Picture	Dimension(mm)
40	6PC		
44	6PC		





<p>A</p>  <p>inside of the greenhouse</p>	<p>B</p>  <p>inside of the greenhouse</p> <p>9B</p>
<p>C</p>  <p>inside of the greenhouse</p> <p>9B</p> <p>12</p>	

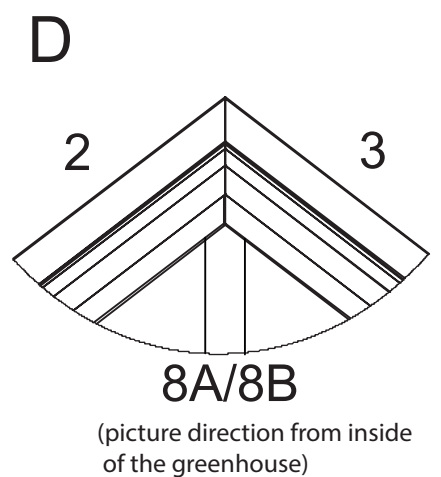
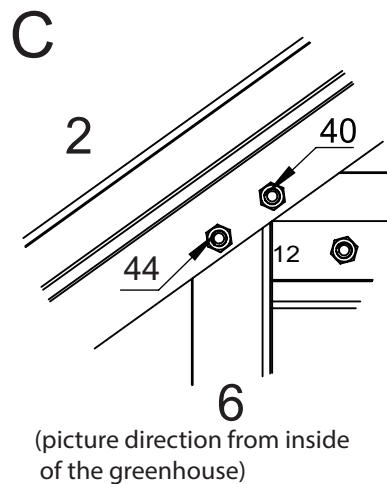
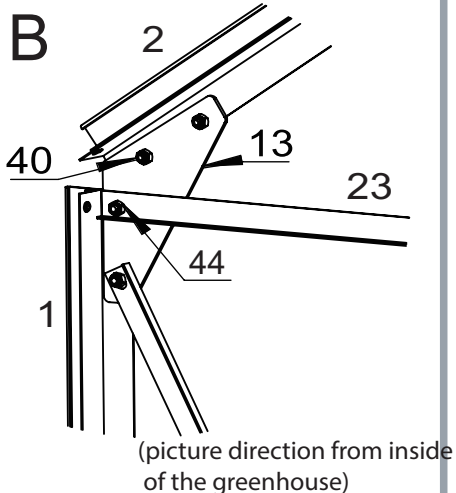
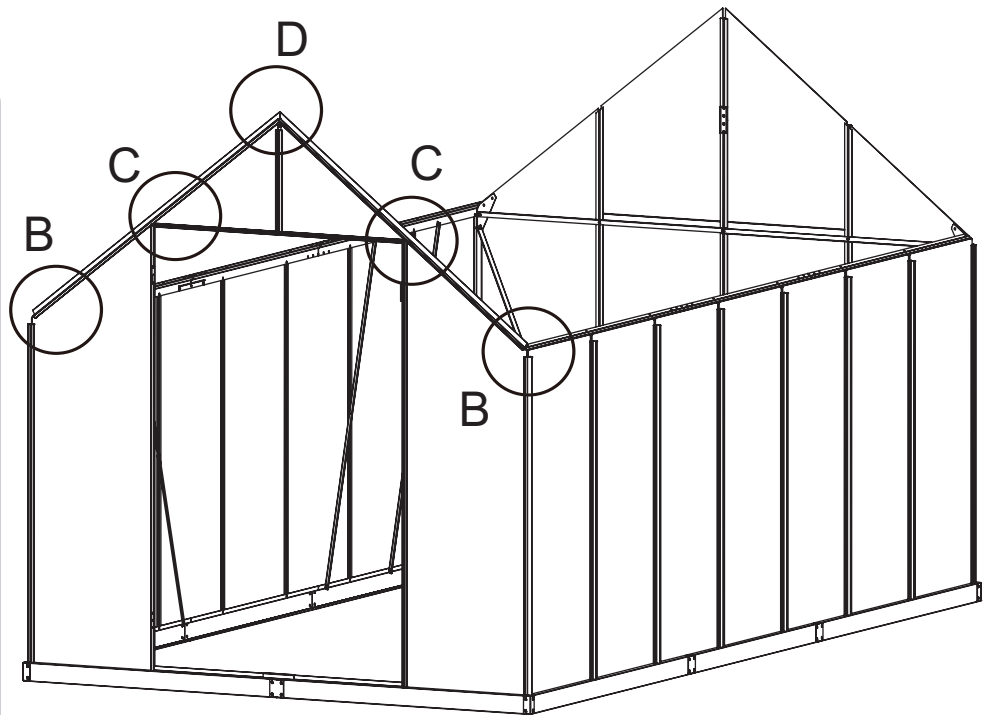
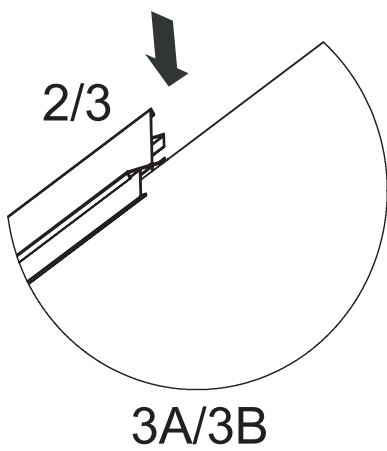
Install the upper part of the front door downward




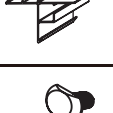



Assemble the frame of front wall

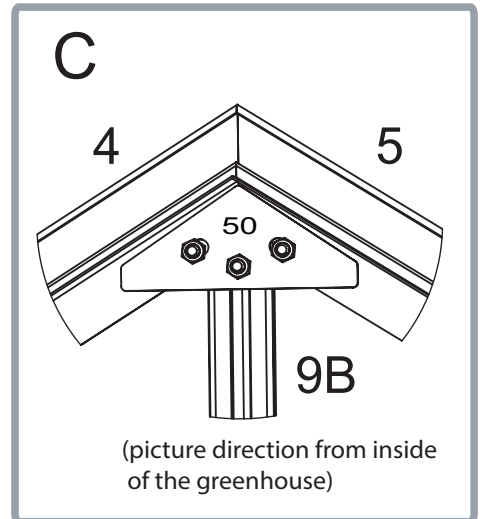
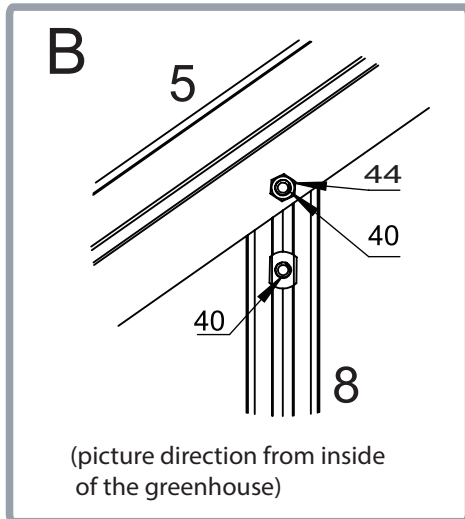
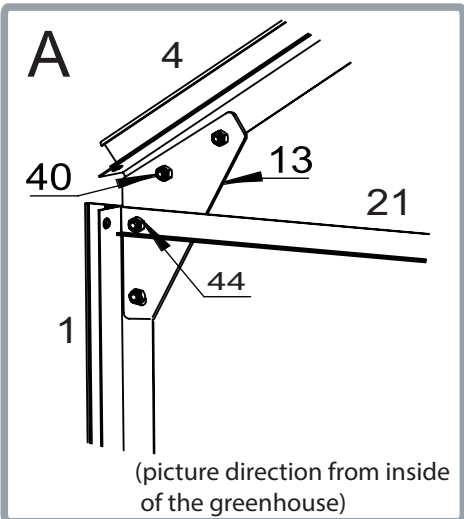
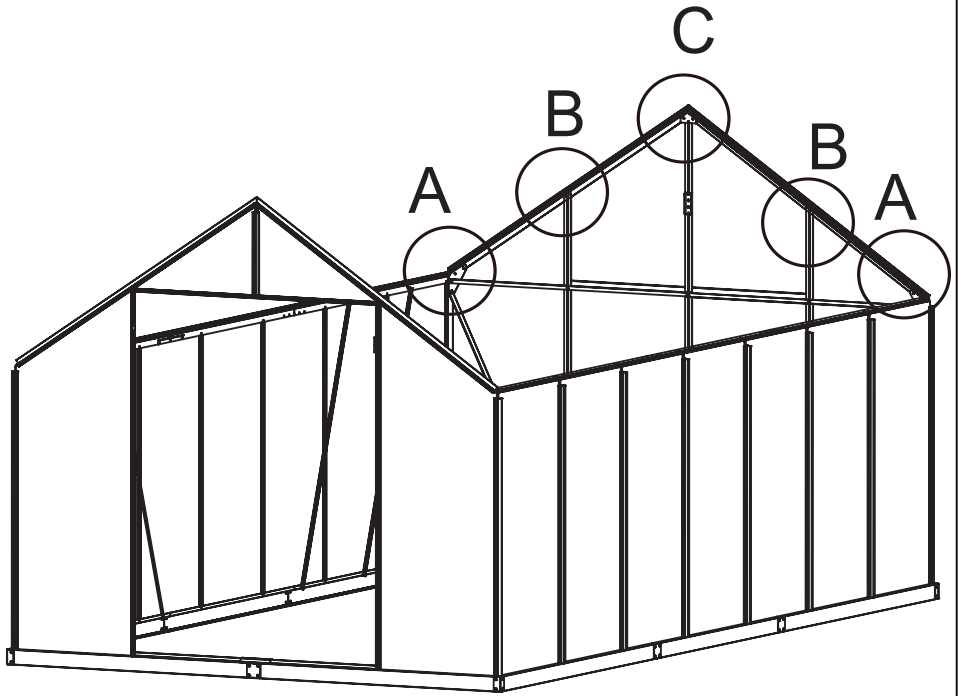
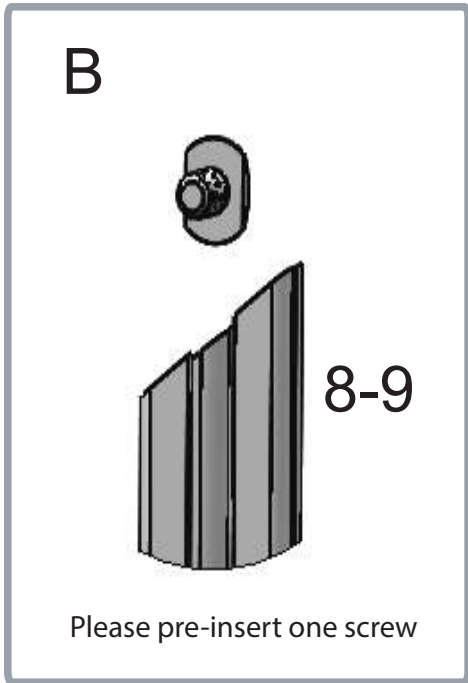
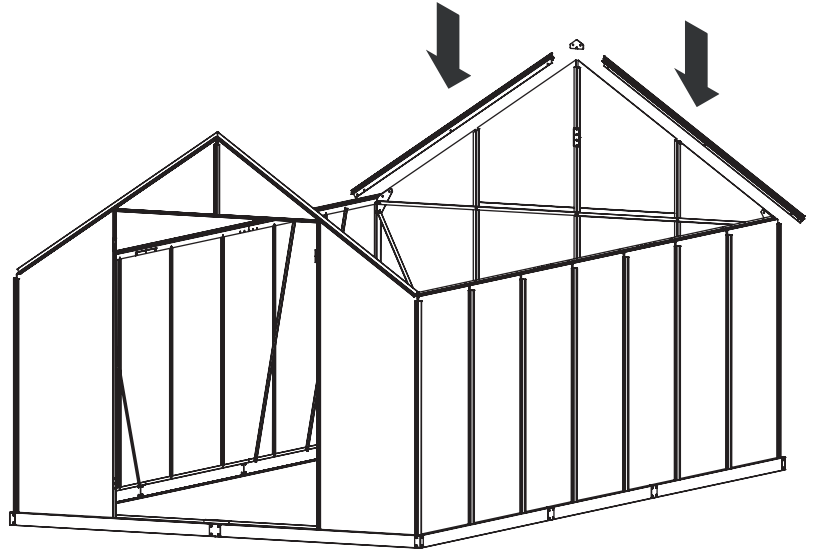
Art.Nr.	Qty.	Picture	Dimension(mm)
40	6PC		
44	6PC		

A
Image orientation from the outsideGreenhouse

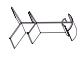

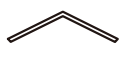




Assemble the frame of front wall

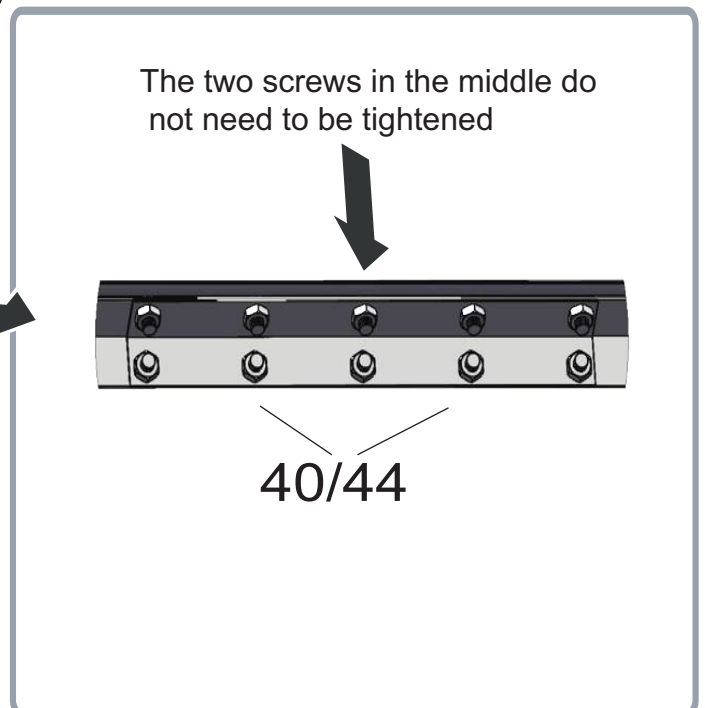
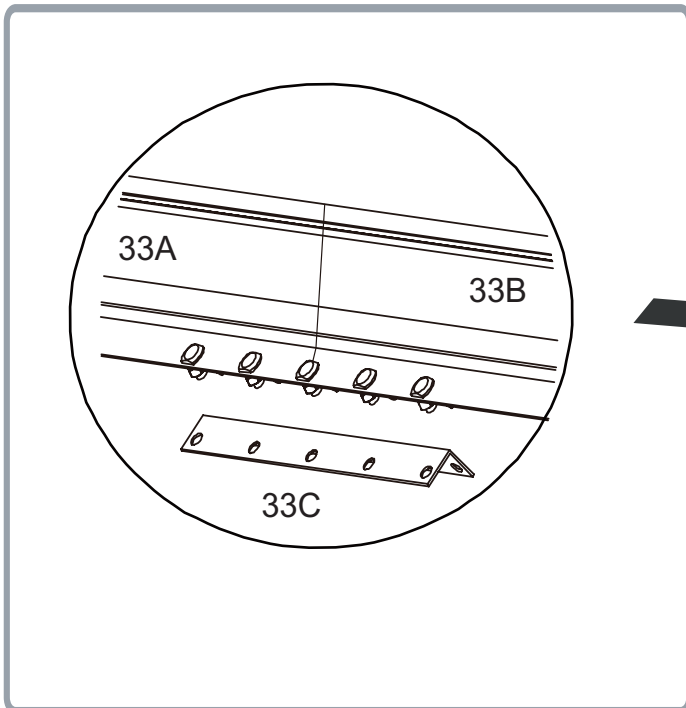
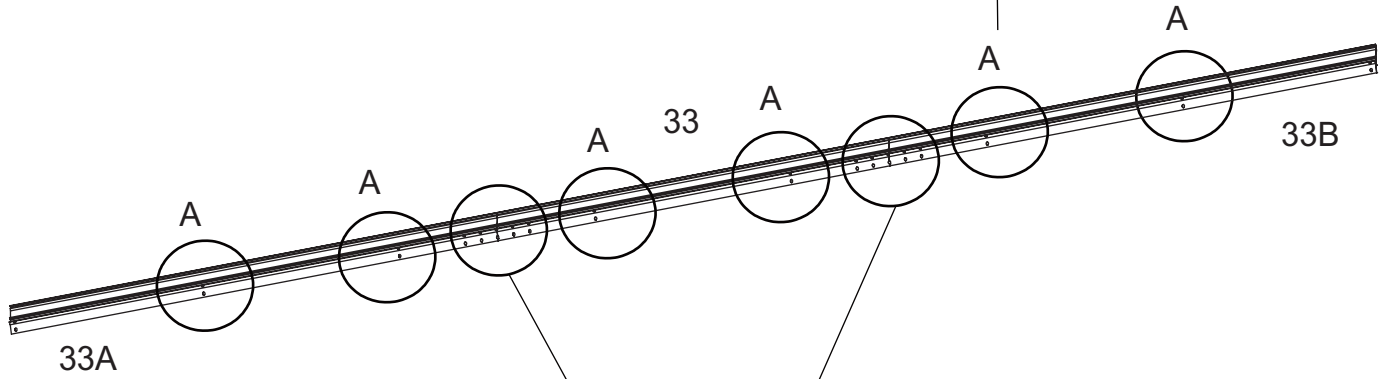
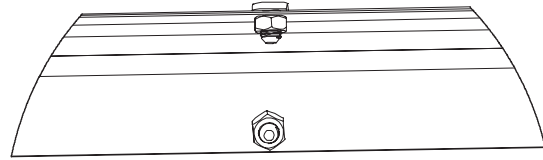
Art.Nr.	Qty.	Picture	Dimension(mm)
4	1PC		1462
5	1PC		1462
40	6PC		
44	6PC		
50	1PC		





Assemble roof frame

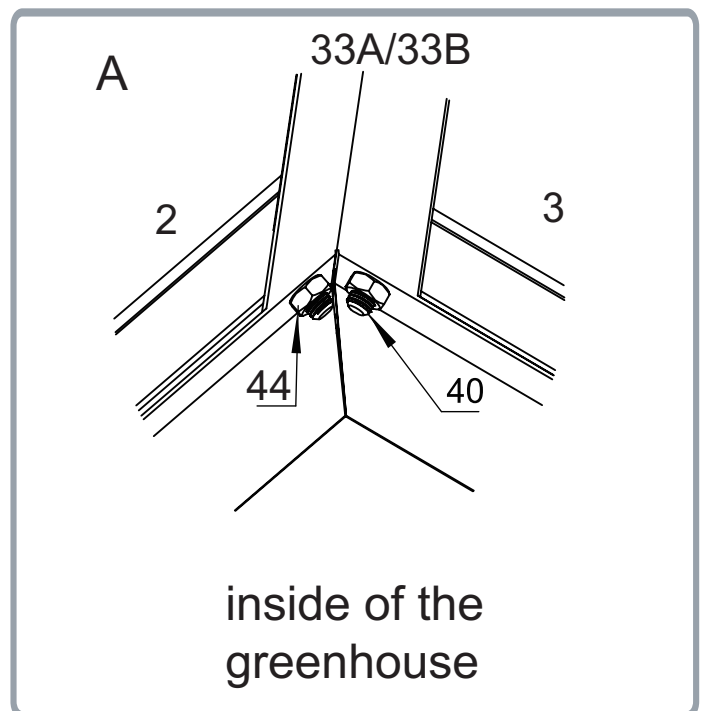
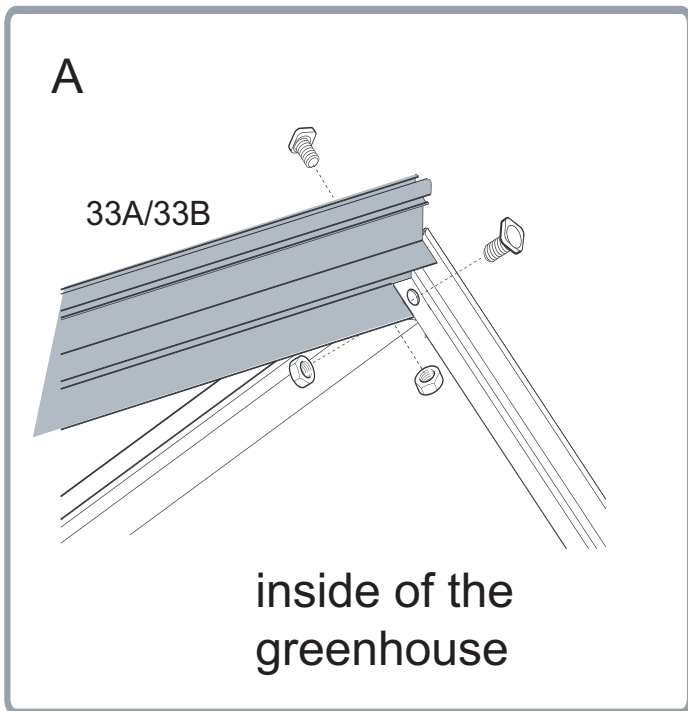
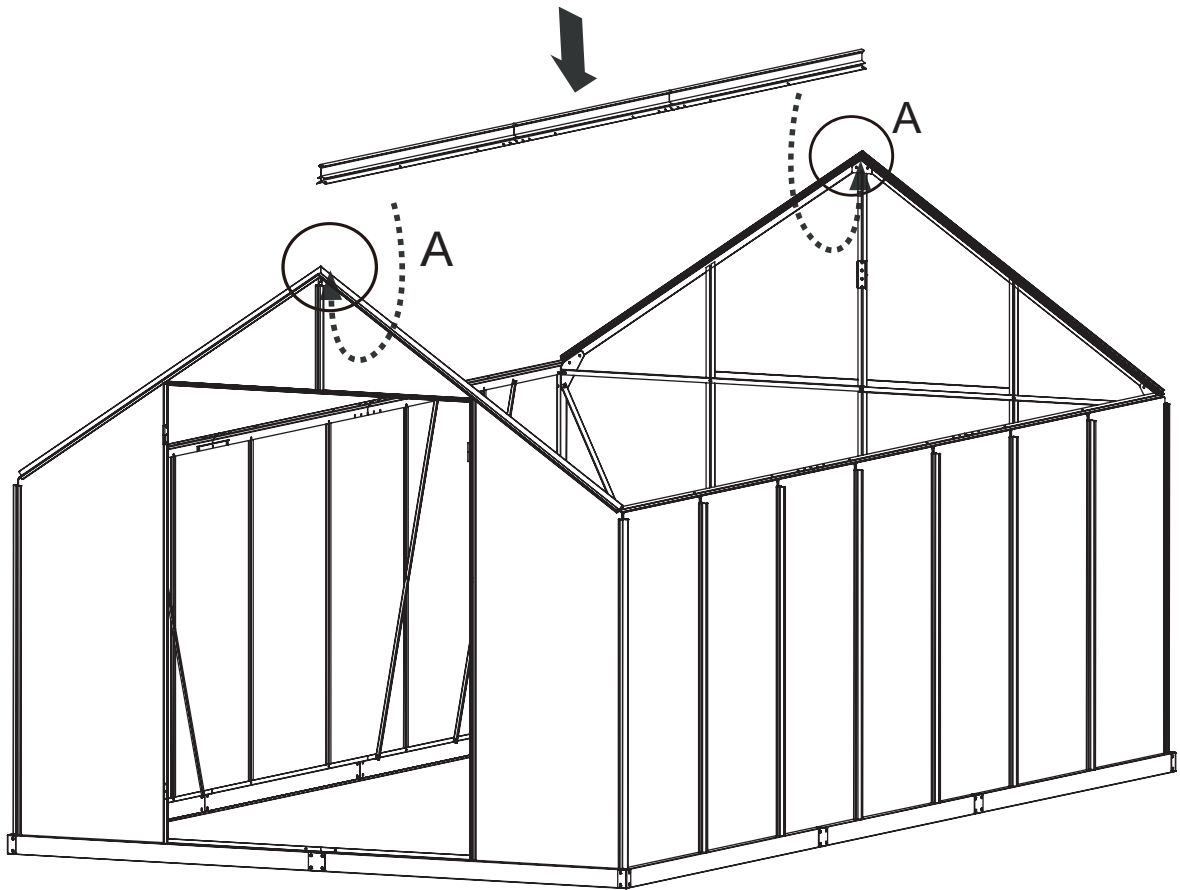
Art.Nr.	Qty.	Picture	Dimension(mm)
33	1PC		1218
33A/33B	2PC		1514
33C	2PC		
40	32PC		
44	32PC		

Pre installed screws, no need to tighten






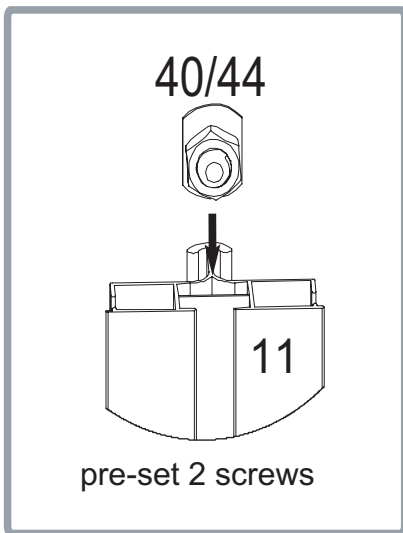
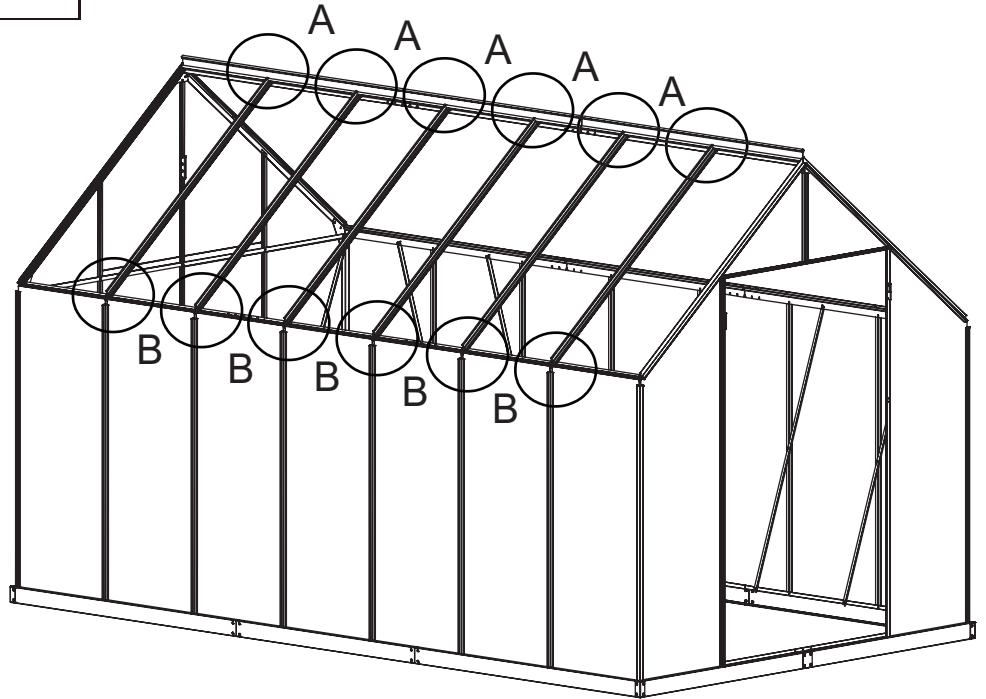
Assemble roof frame

Art.Nr.	Qty.	Picture	Dimension(mm)
40	4PC		
44	4PC		

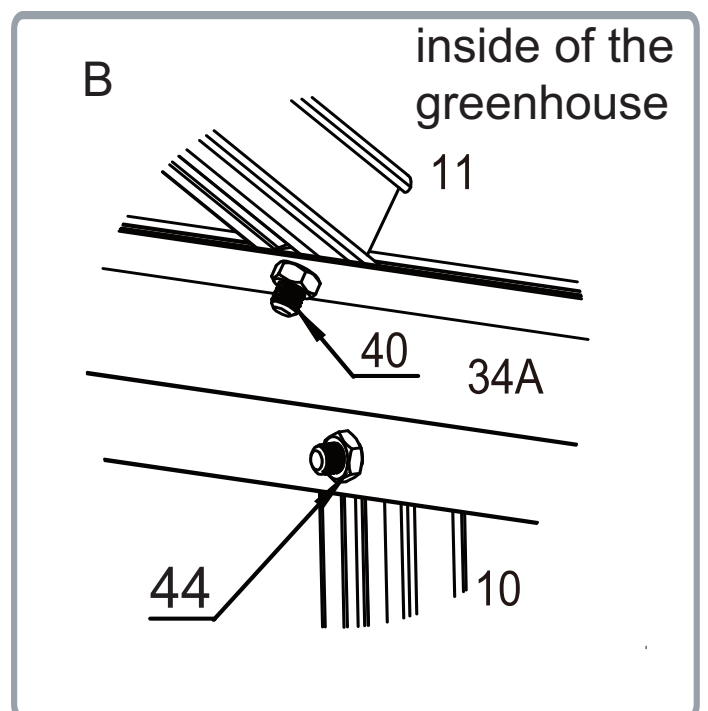
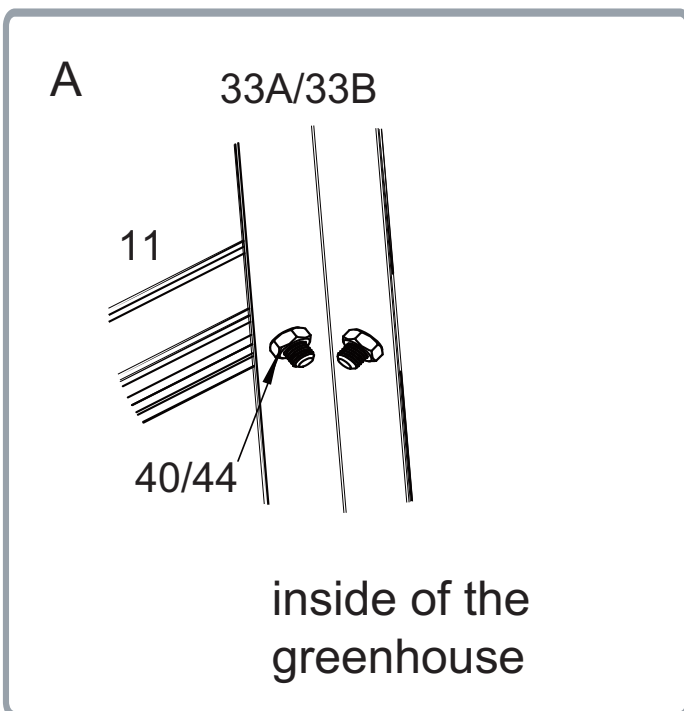


Assemble roof frame





Art.Nr.	Qty.	Picture	Dimension(mm)
40	18PC		
44	18PC		
11	6PC		1441

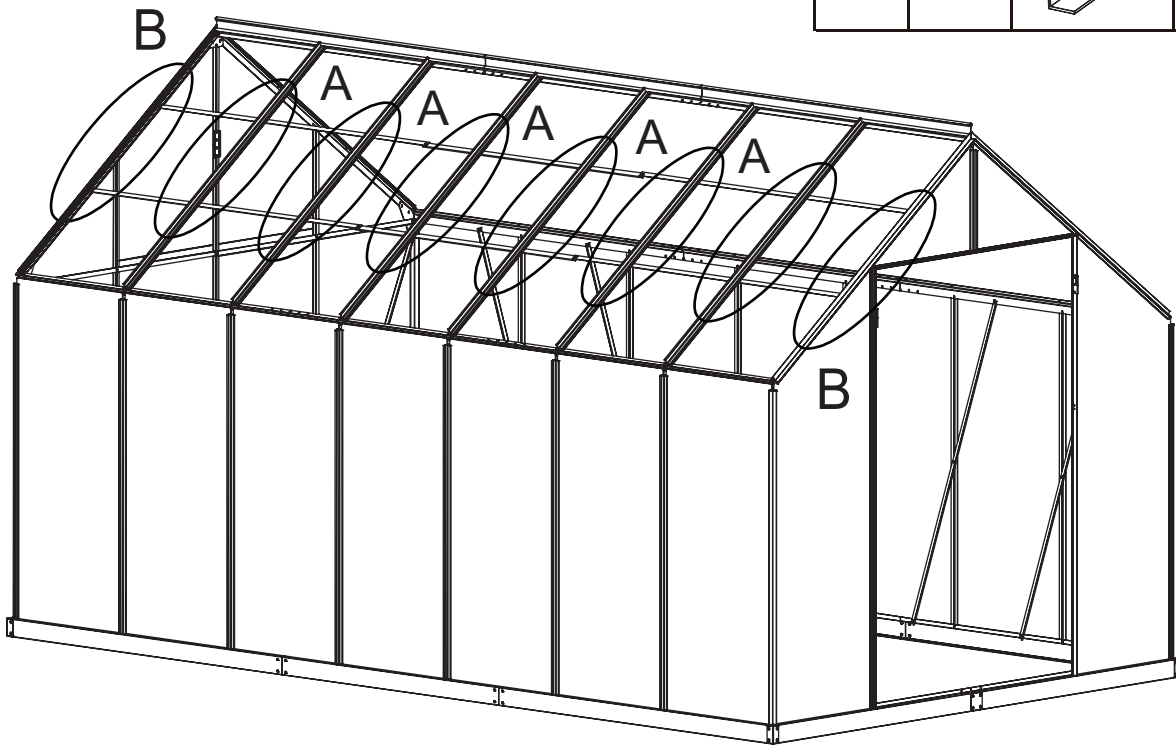


Pre install screws before installing accessory 11



Assemble roof frame

Art.Nr.	Qty.	Picture	Dimension(mm)
40	6PC		
44	6PC		
47A/47B	4PC		1516
52	2PC		1238






A inside of the greenhouse

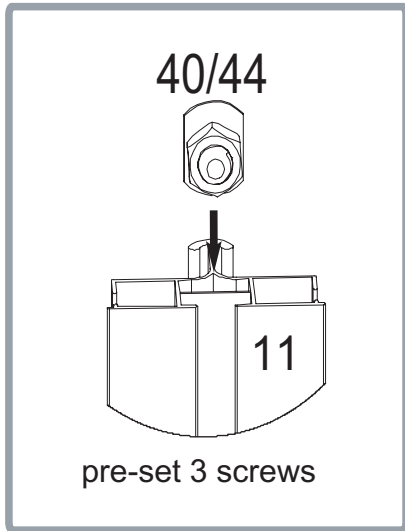
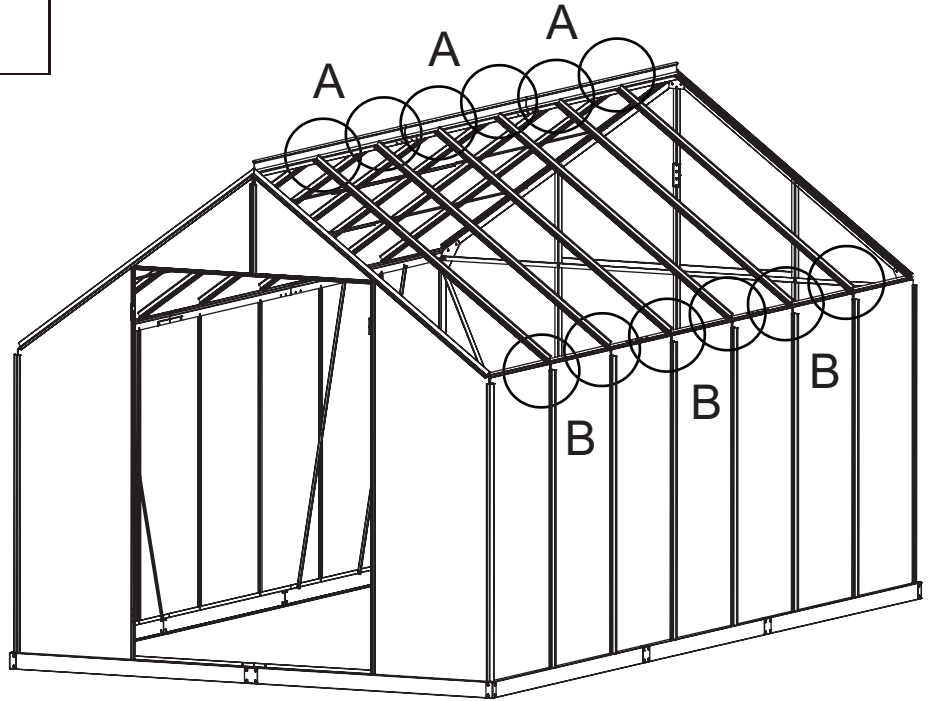
Accessory 52 is fixed on accessory 11

B inside of the greenhouse

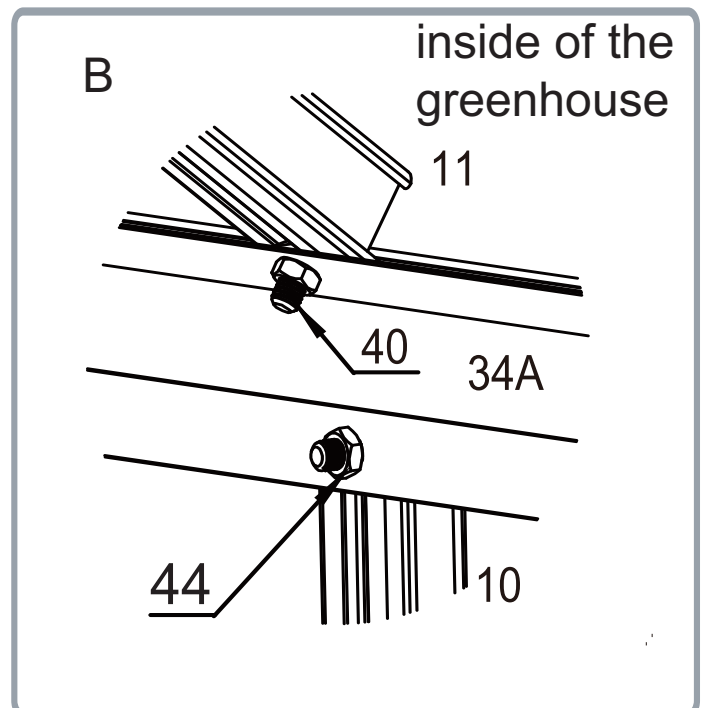
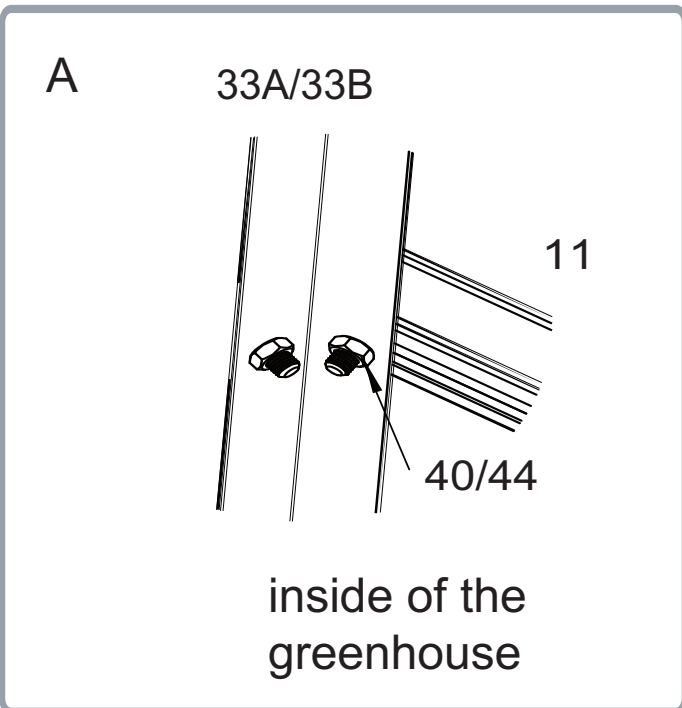
Accessory 47A/47B is fixed on accessory 2/5

Assemble roof frame



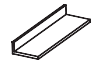
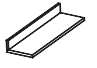
Art.Nr.	Qty.	Picture	Dimension(mm)
40	18PC		
44	18PC		
11	6PC		1441

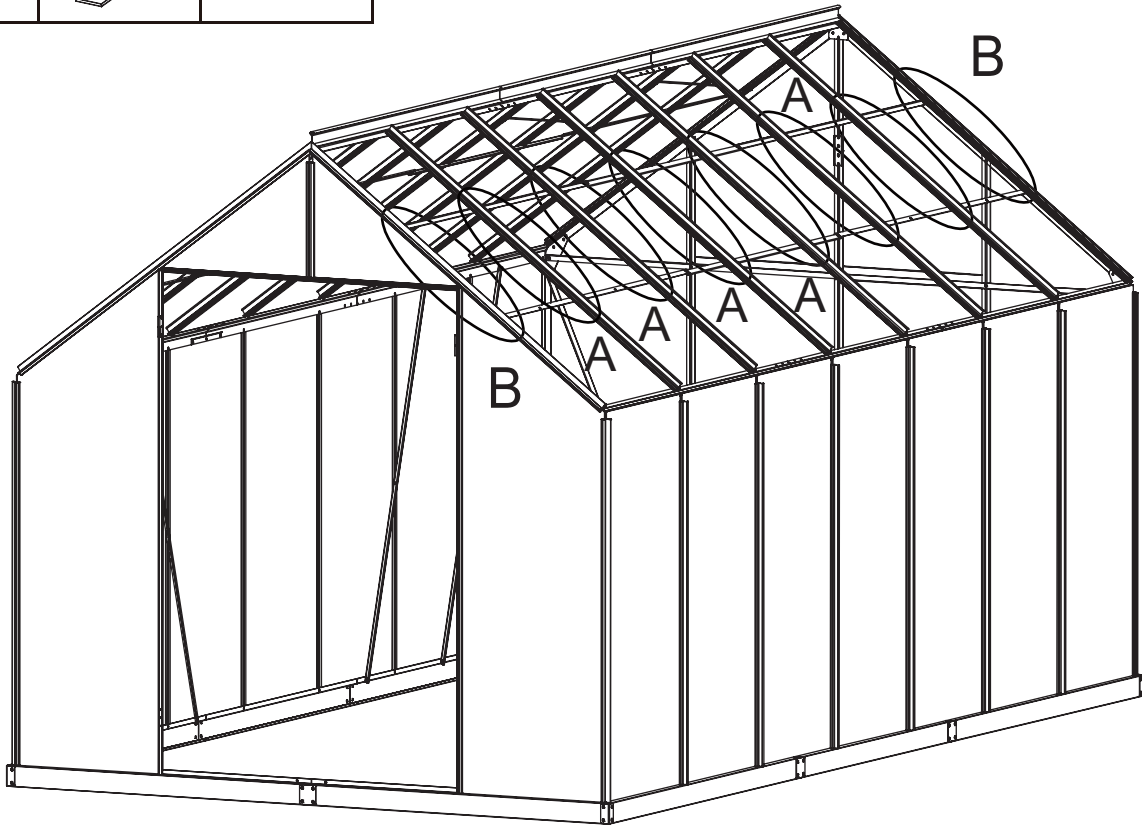


Pre install screws before installing accessory 11



Assemble roof frame

Art.Nr.	Qty.	Picture	Dimension(mm)
40	6PC		
44	6PC		
47A/47B	4PC		1516
52	2PC		1238




A inside of the greenhouse

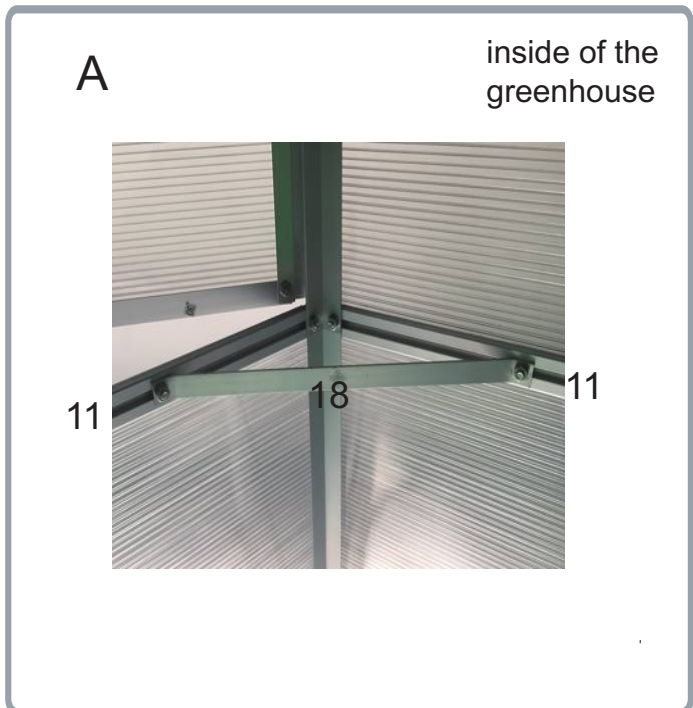
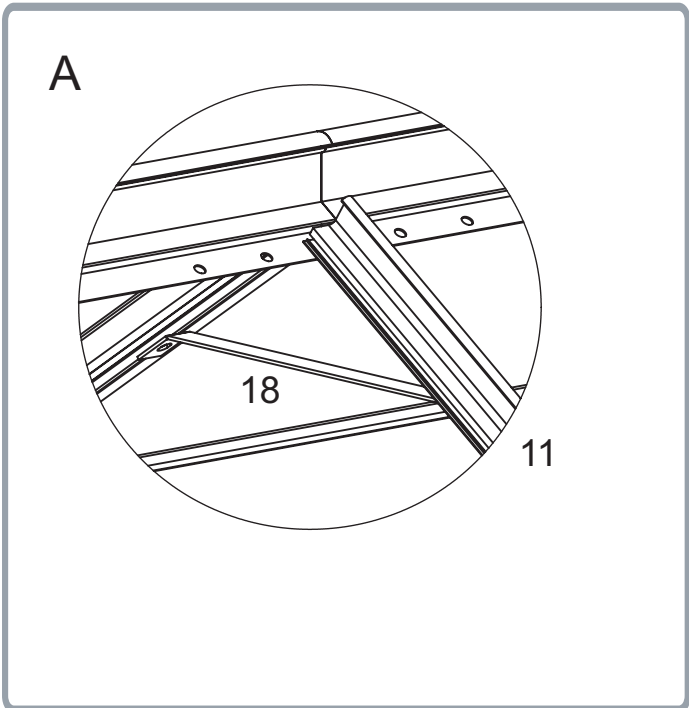
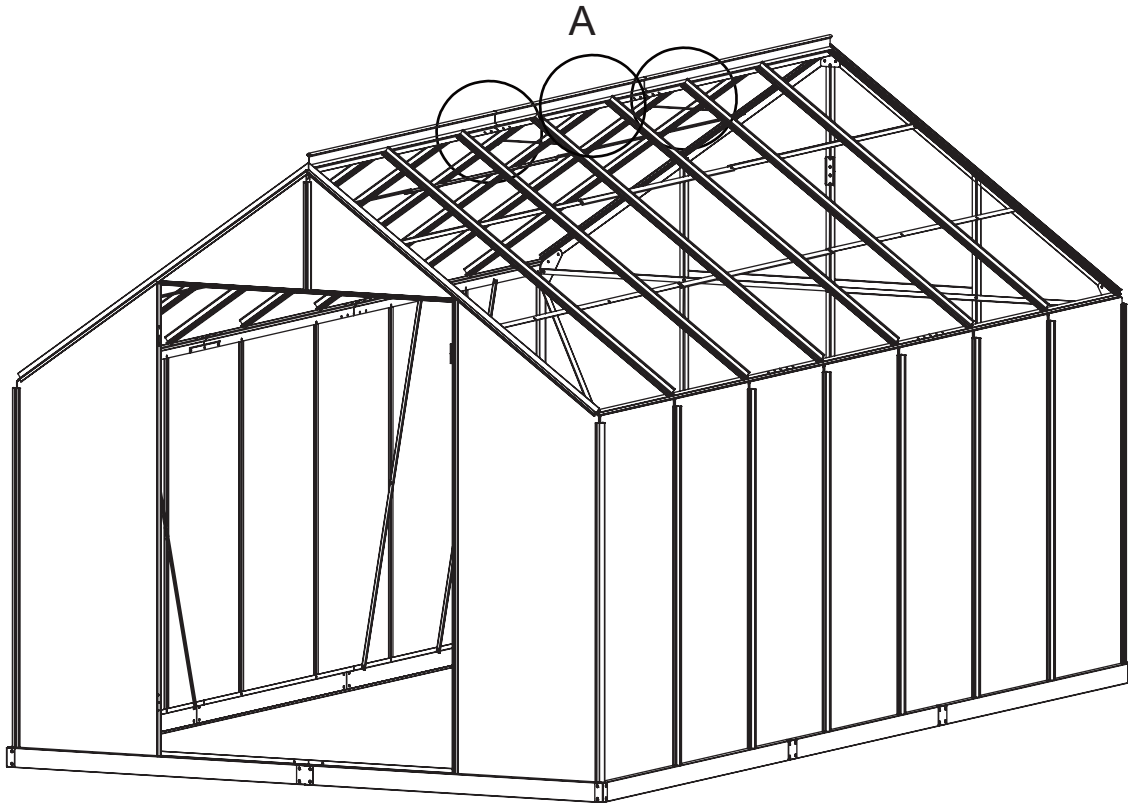
Accessory 52 is fixed on accessory 11

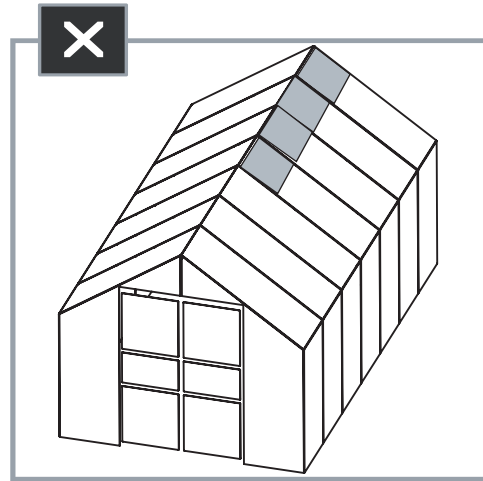
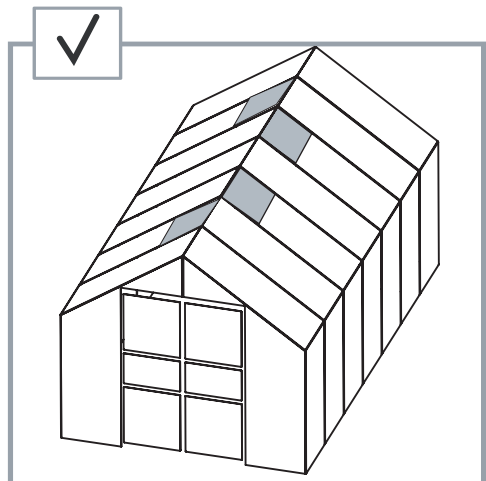
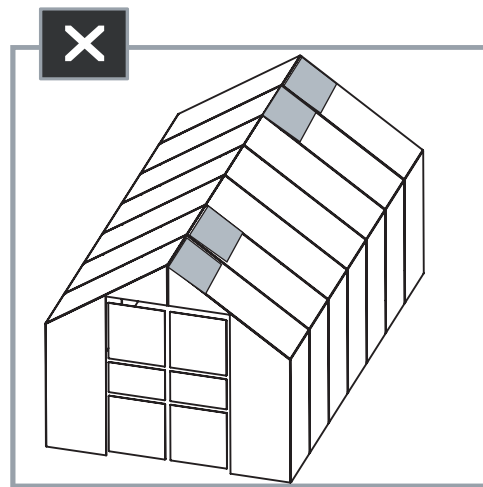
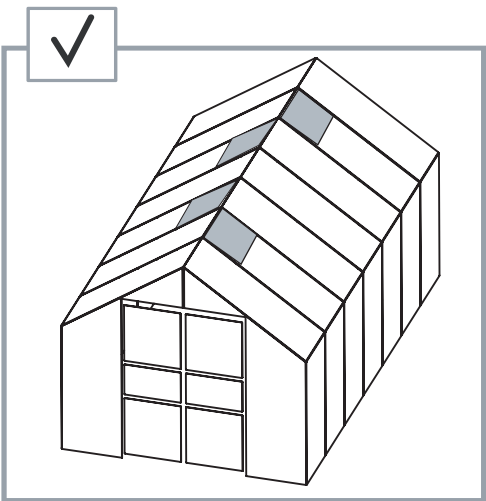
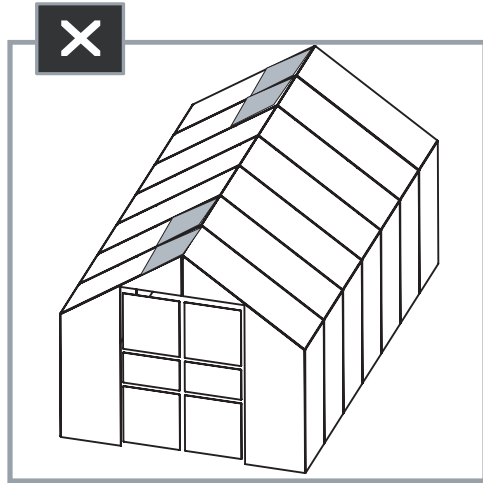
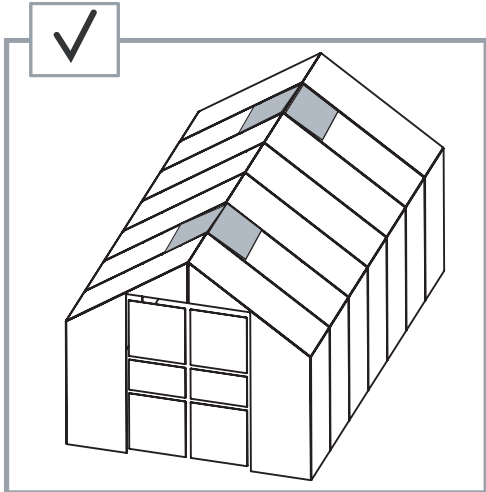
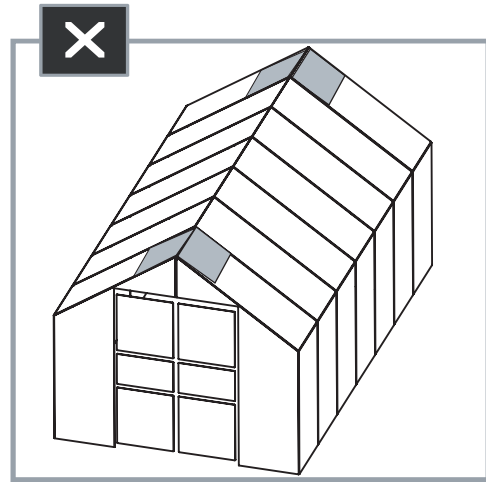
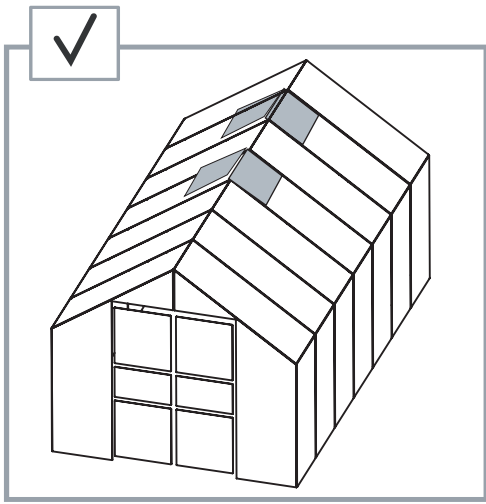
B inside of the greenhouse

Accessory 47A/47B is fixed on accessory 2/5

Assemble roof frame

Art.Nr.	Qty.	Picture	Dimension(mm)
18	3PC		





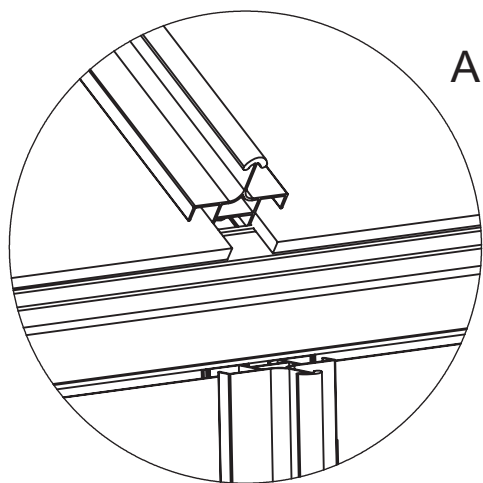


Pay attention to the installation position of the top PC sun panel

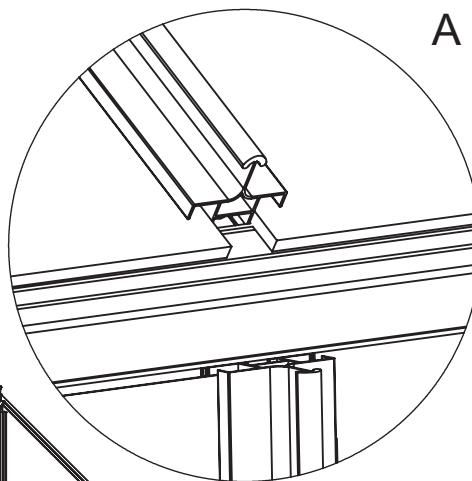
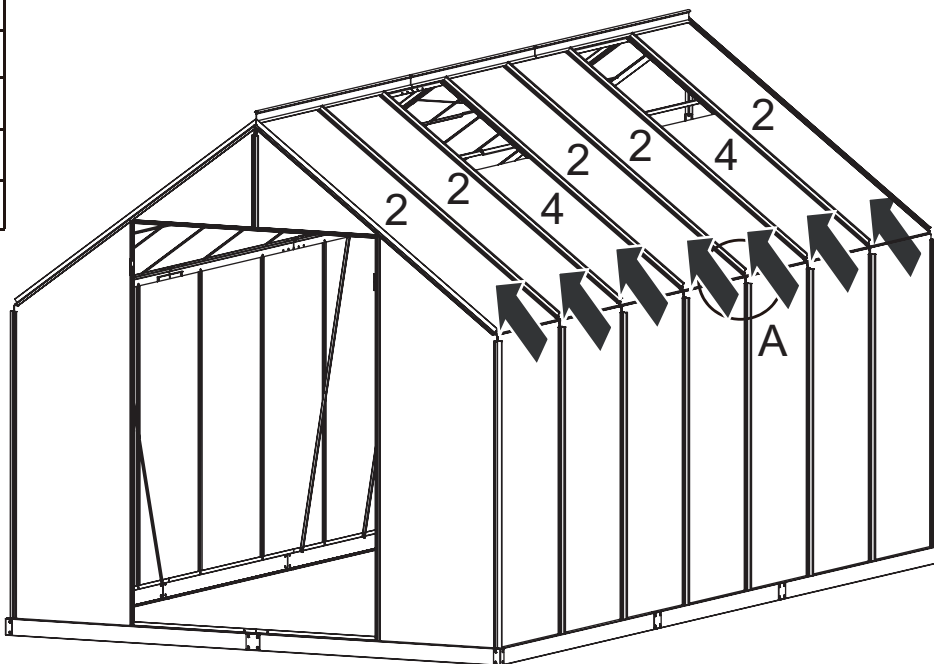
Green protection film side with UVprotection, should toward the sun. White protection film side without UV protection towards inside of the greenhouse

Attaching the panel

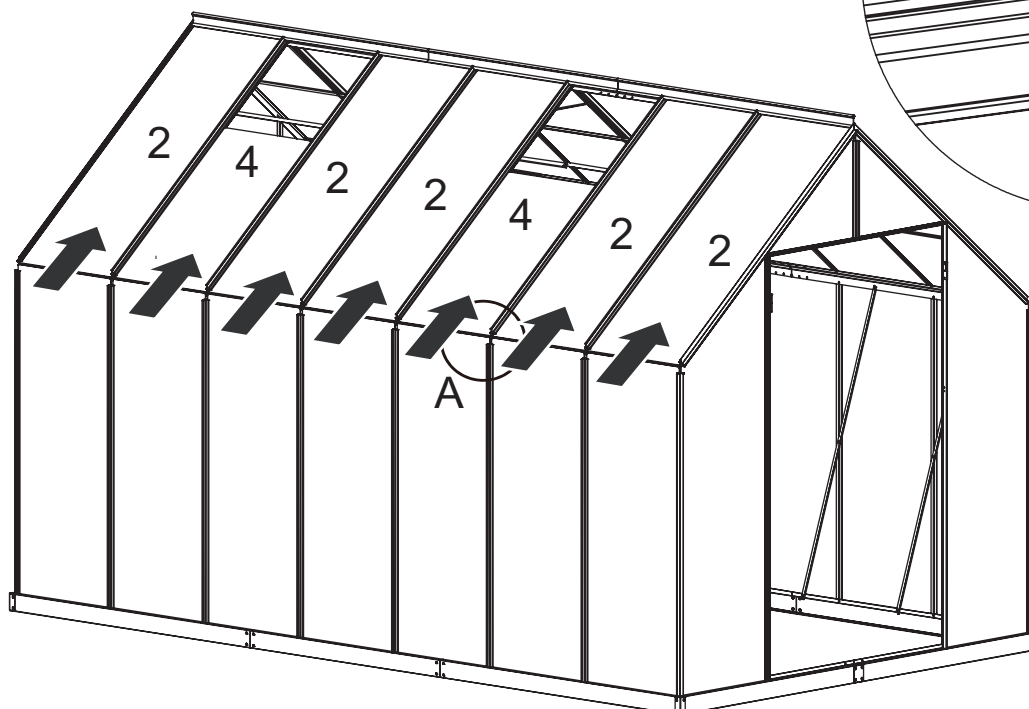
Art.Nr.	Qty.	Picture	Dimension(mm)
2	10PC		595x1458
4	4PC		595x925




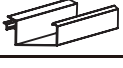
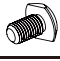


A

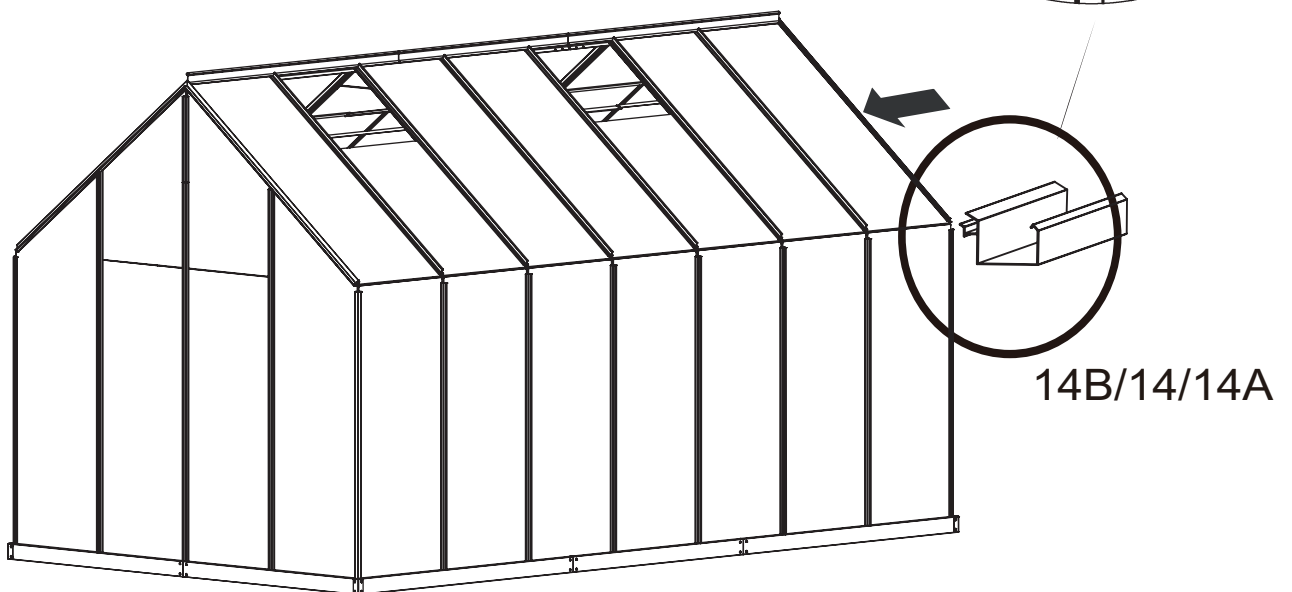
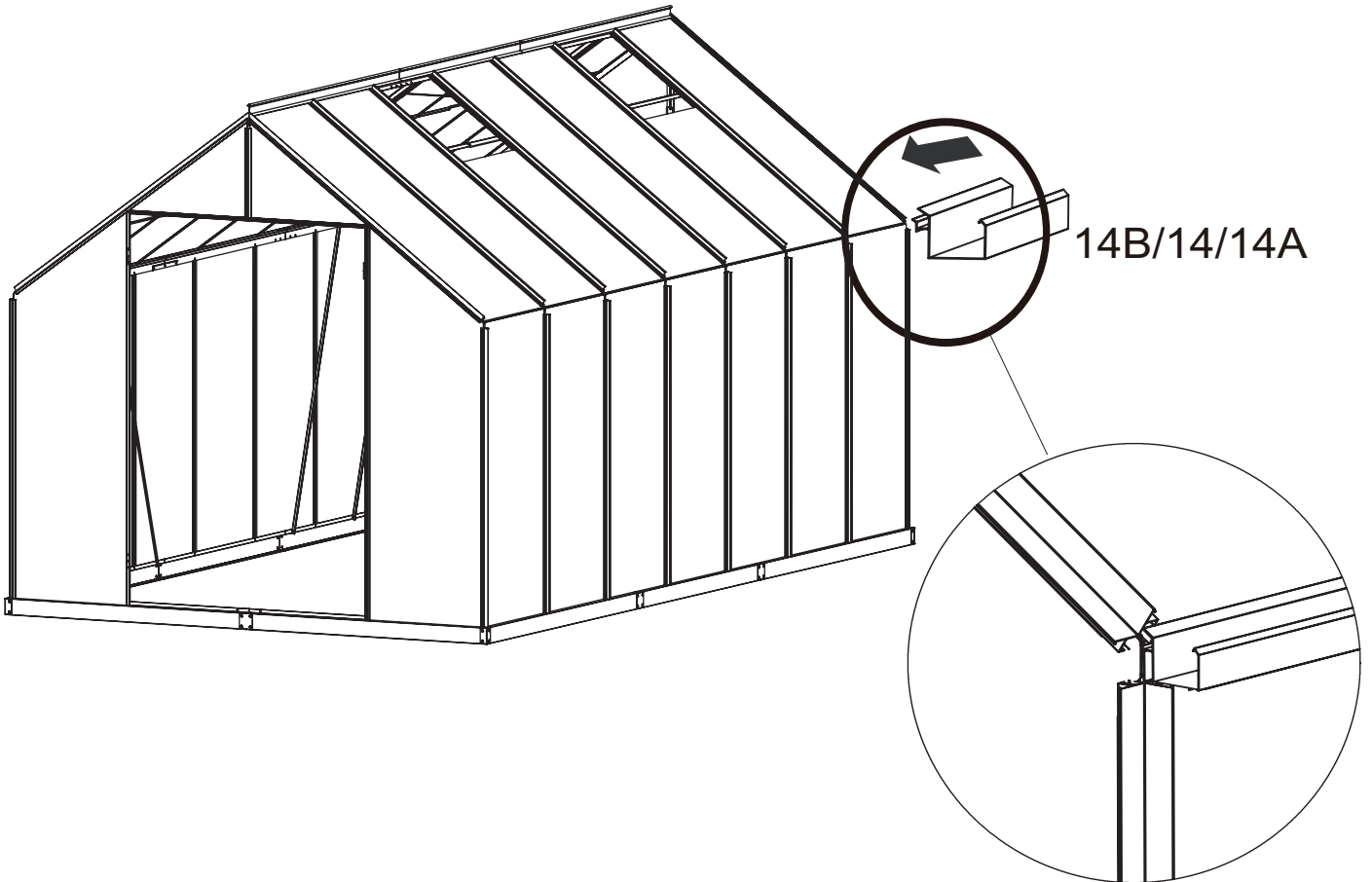
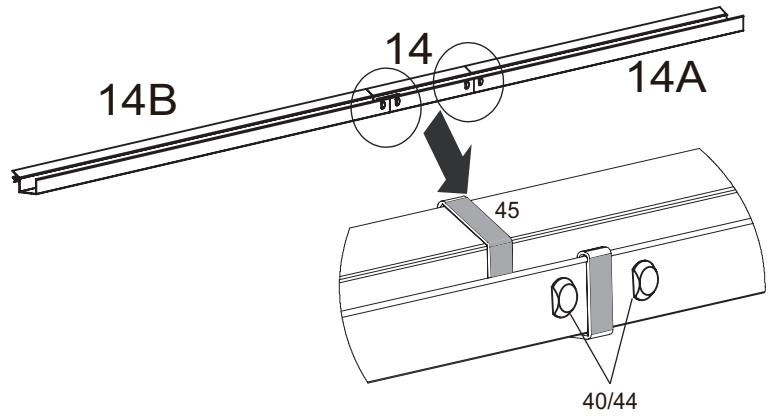


A




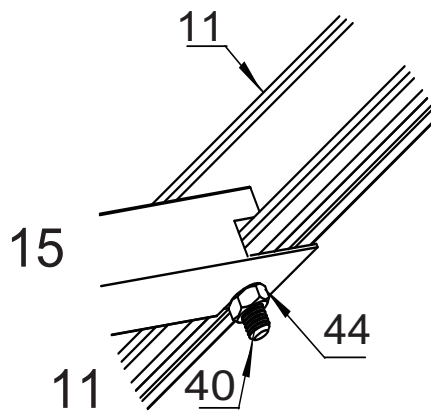
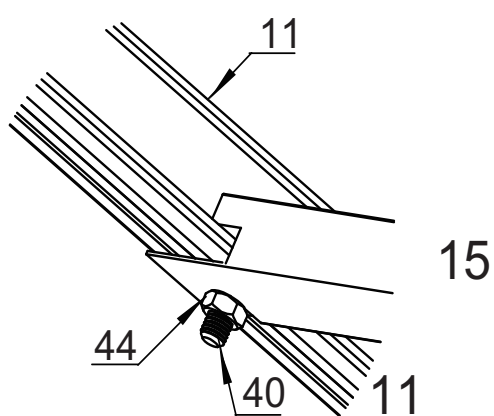
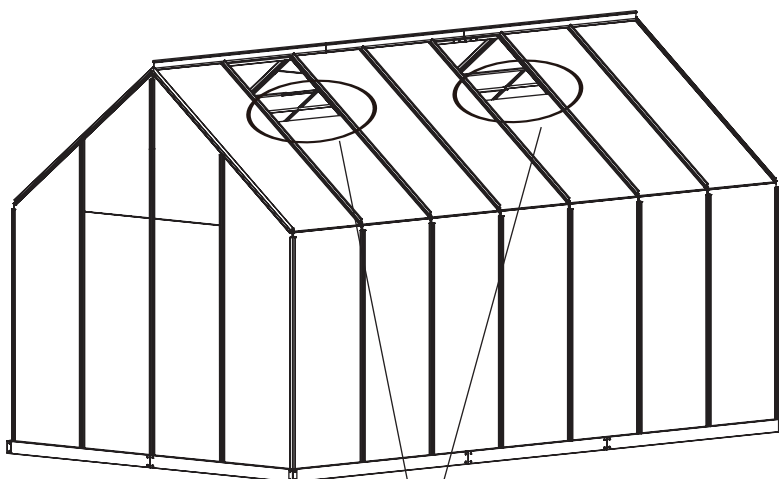
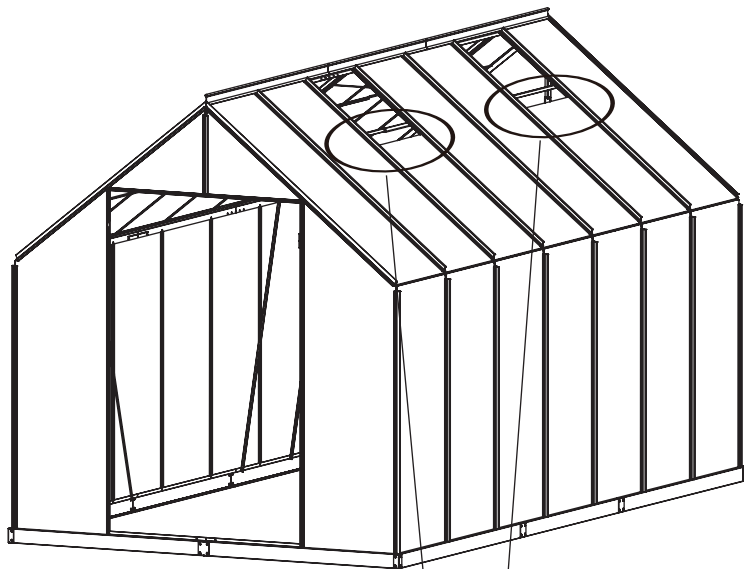
Attaching the panel

Art.Nr.	Qty.	Picture	Dimension(mm)
14	2PC		1218
14A/14B	4PC		1516
40	8PC		
44	8PC		
45	4PC		



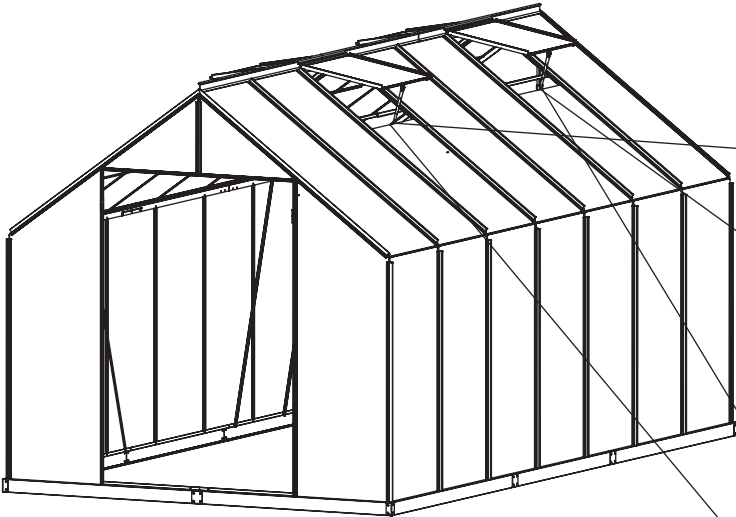
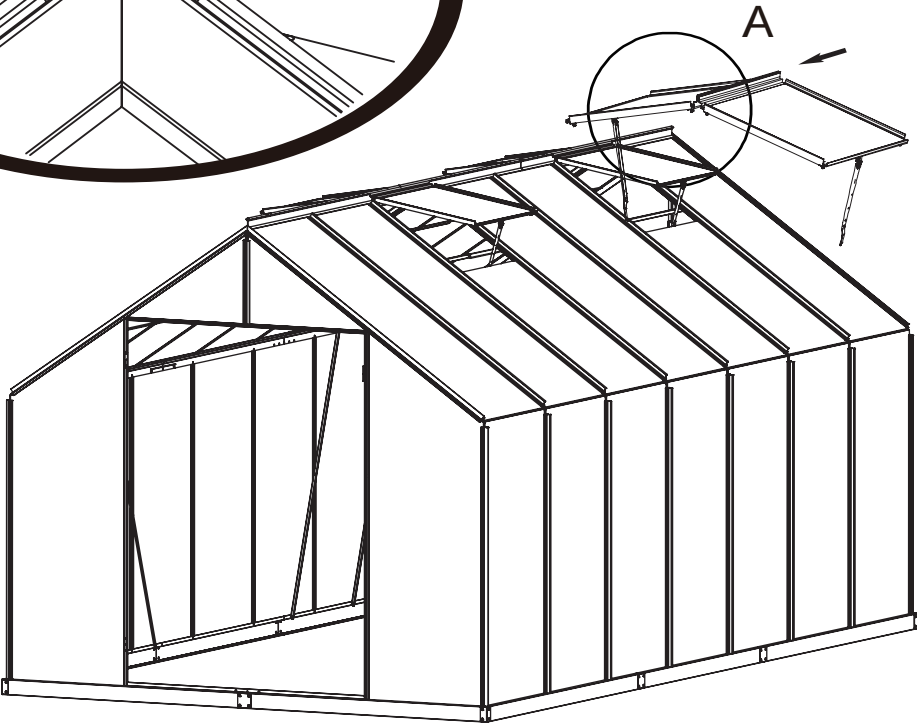
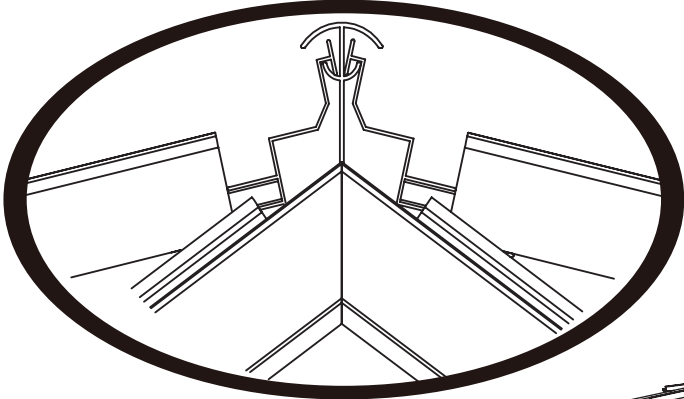
Attaching the panel

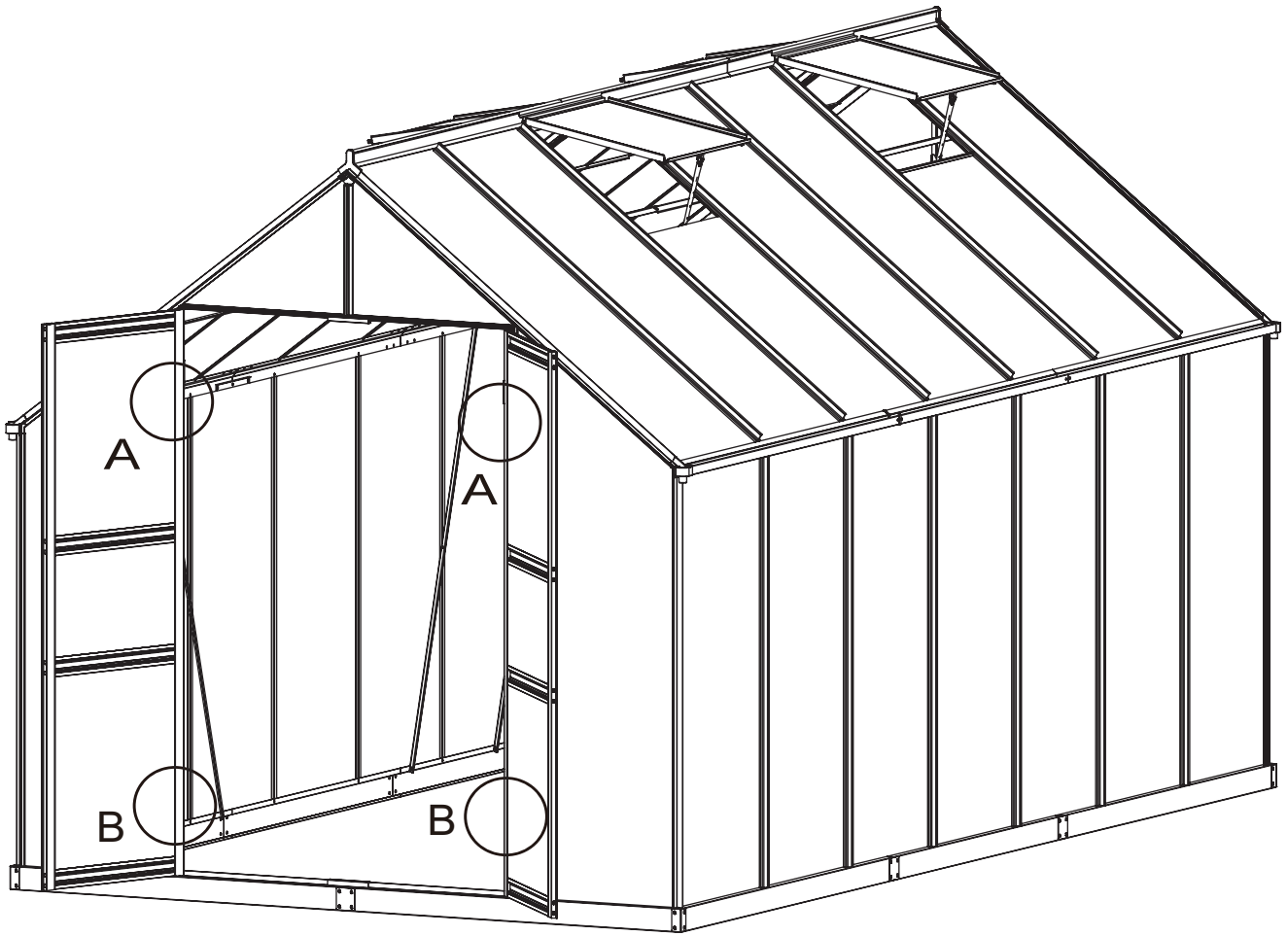
Art.Nr.	Qty.	Picture	Dimension(mm)
15	4PC		634



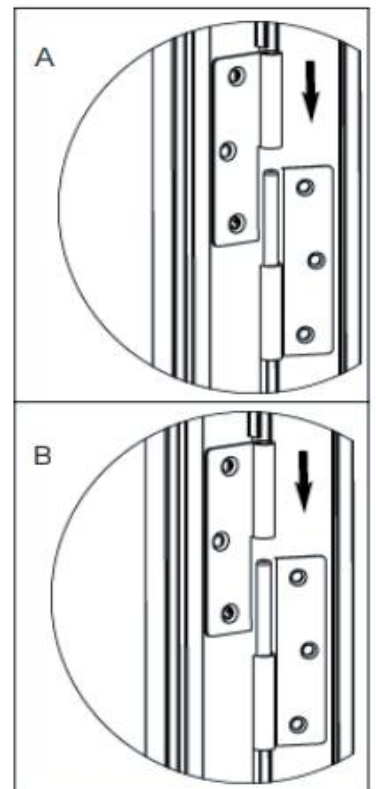
Installation of accessory 15

slip into roof window


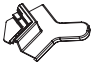


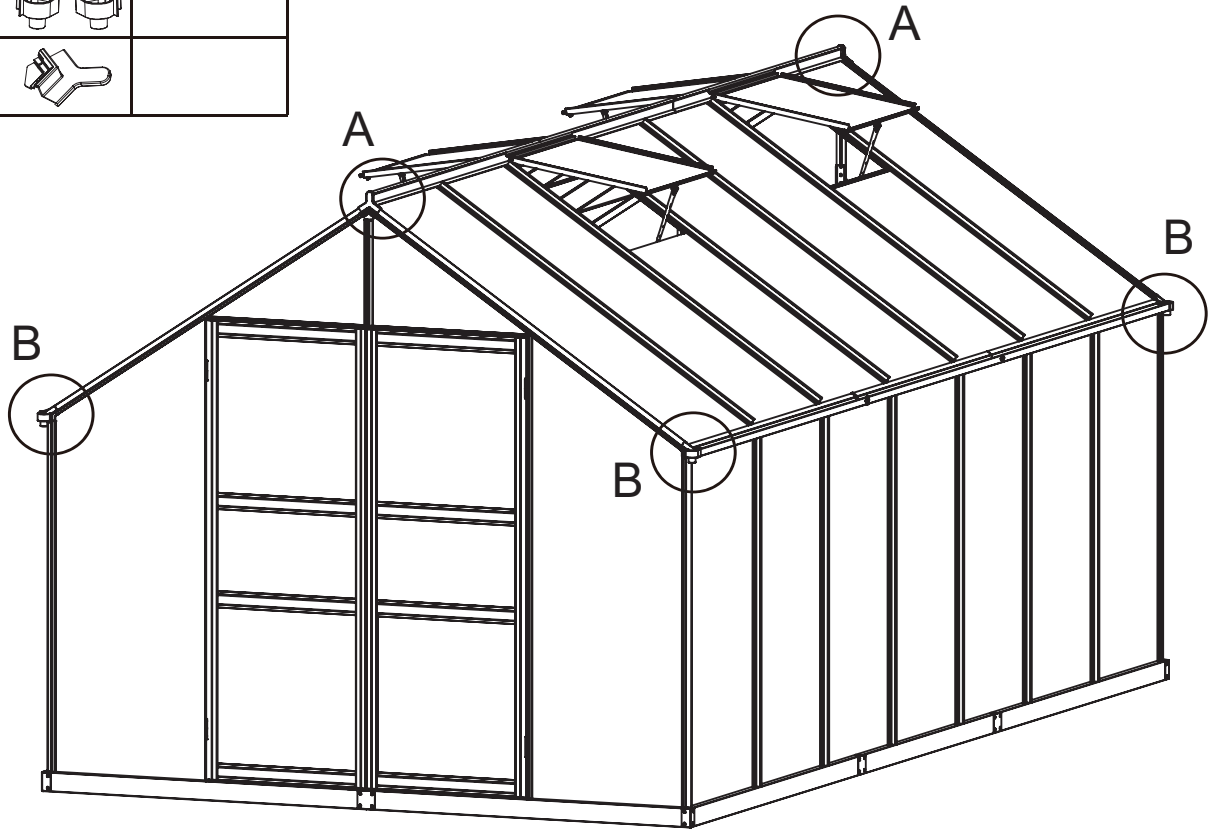


Attaching the sliding door

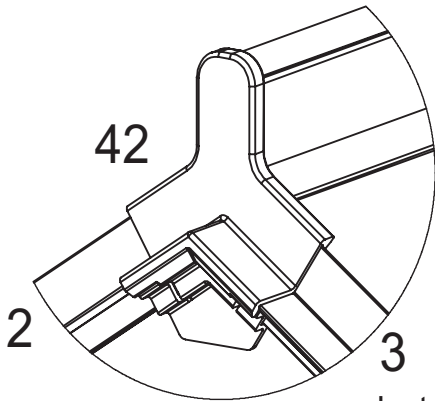


Attaching the panel

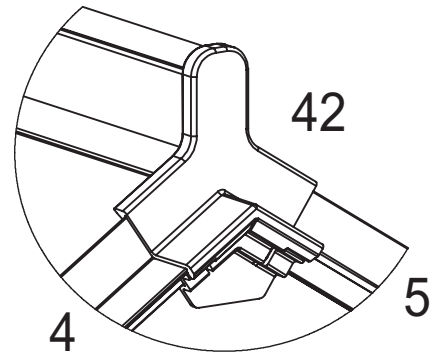
Art.Nr.	Qty.	Picture	Dimension(mm)
41A/41B	4PC		
42	2PC		



A

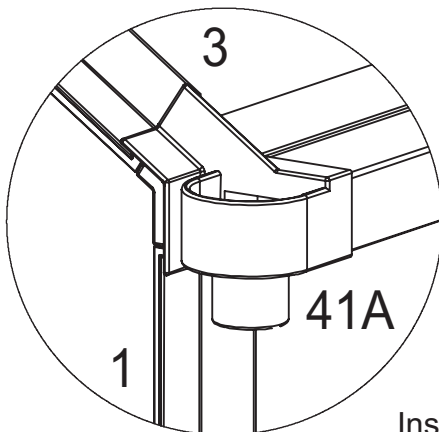


33A/33B

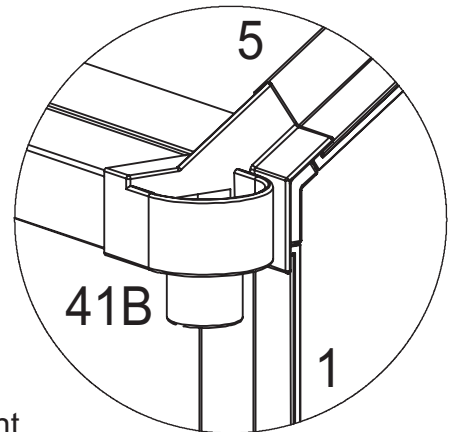


Installation of corner protectors

B



14/14A



Installation of water filter joint

Maintenance :

Do not let plants growing up to the roof to get too close to the roof structures. Too much weight on the roof can damage greenhouse body, especially if it is windy or raining heavily. Clear the leaves from the roof, they can weaken the light transmission of the sheets. Keep the roof of the greenhouse clear of ice and snow. If necessary, place a support post inside the greenhouse in winter to support the roof. In the event of a storm, make sure that the greenhouse is securely fixed into the ground and that the roof hatch and door remain closed. If necessary, fix the greenhouse to nearby trees with a strong rope or wire.

Make sure regularly that the screws on the frame are remained tight. Avoid hitting the wall and polycarbonate panels with sharp objects. If there is a cut or a hole in the panel, you can fix it with glue or transparent tape.

Keep the polycarbonate panels clean so that light can pass through them well. Generally, polycarbonate panels can be replaced every 5-10 years, if you notice their light transmission ability weakens.

You can make a small mark on the polycarbonate panels showing which side is facing out, so that you recognize the UV-protected side in case the panel is needed to put back in its place after a storm.

You can prevent dirt and moisture going inside the channels of the roof panels by taping the top and bottom ends of the panel.