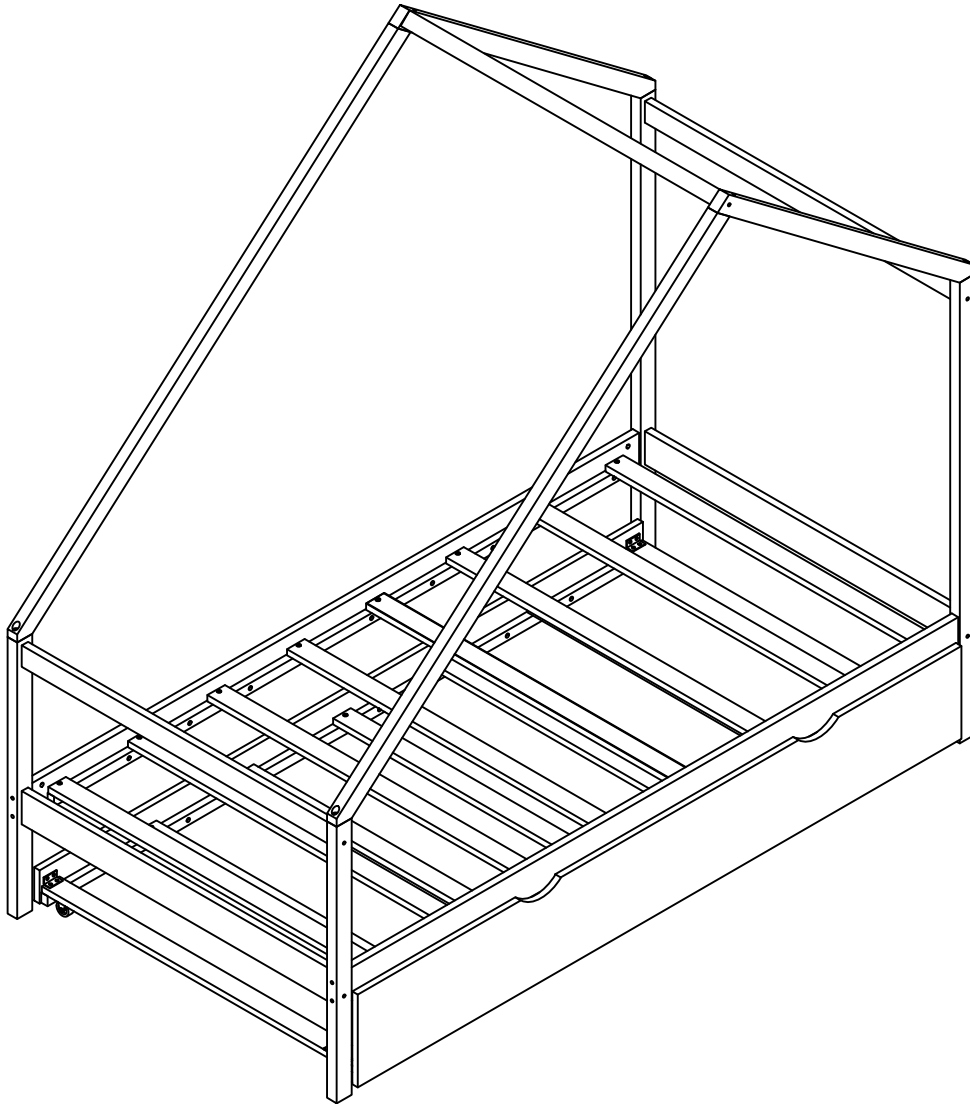


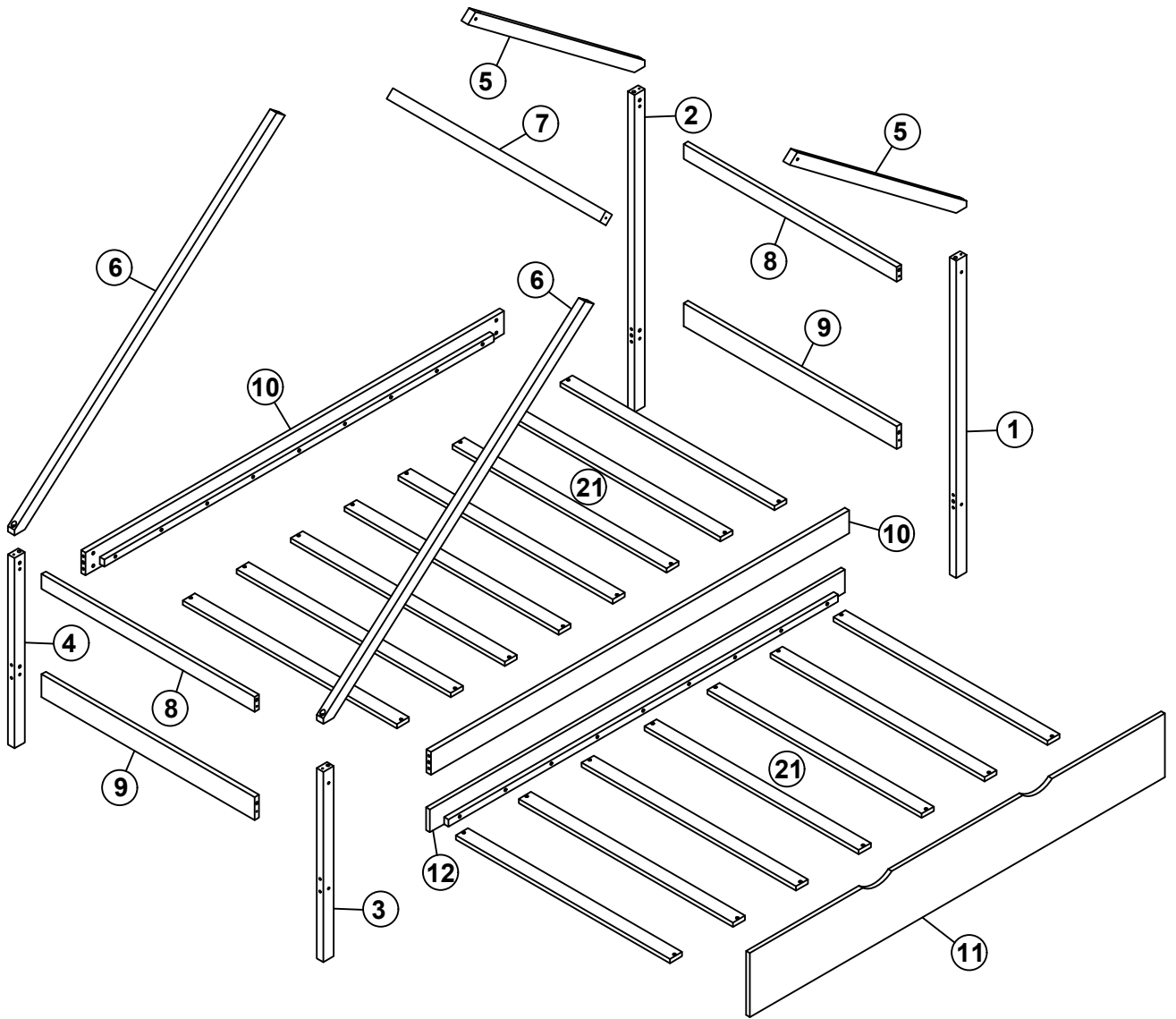
ASSEMBLY INSTRUCTIONS

TWIN SIZE HOUSE BED WITH TRUNDLE



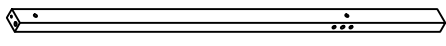

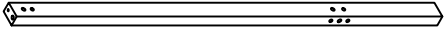
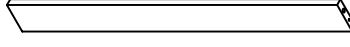
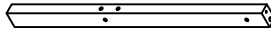
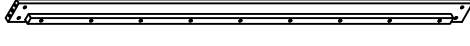
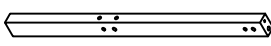

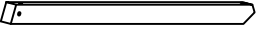
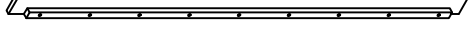
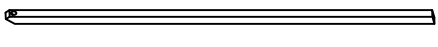
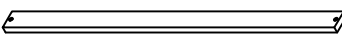
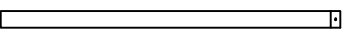
WF199747

ASSEMBLY INSTRUCTIONS






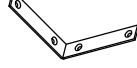

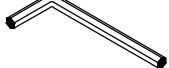

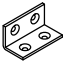



ASSEMBLY INSTRUCTIONS

PARTS LIST WF199747

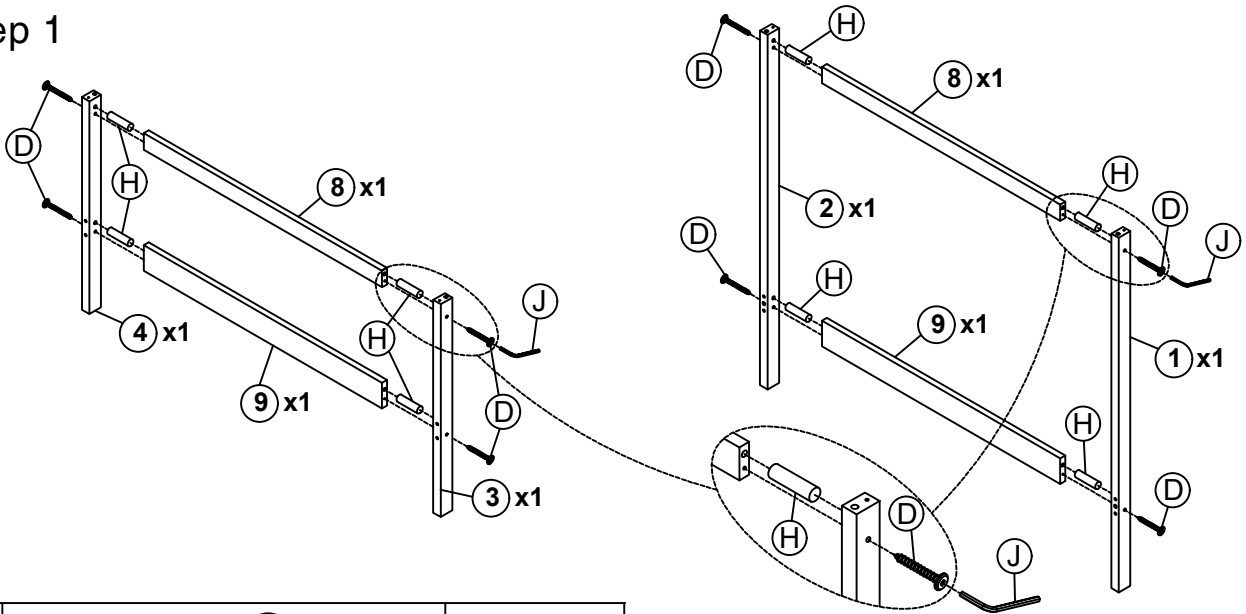
1		1pc	8		2pcs
2		1pc	9		2pcs
3		1pc	10		2pcs
4		1pc	11		1pc
5		2pcs	12		1pc
6		2pcs	21		15pcs
7		1pc			




HARDWARE LIST WF199747

A	Ø4x30		30PCS	G	Ø38x46x38		4PCS
B	Ø4x15		32PCS	H	Ø10x40		18PCS
C	6.5x90		2PCS	I	95x95x20		2PCS
D	6.5x80		10PCS	J	4x58		1PC
E	6.5x60		4PCS	K	40x20x20		2PCS
F	1/4x90		8PCS				

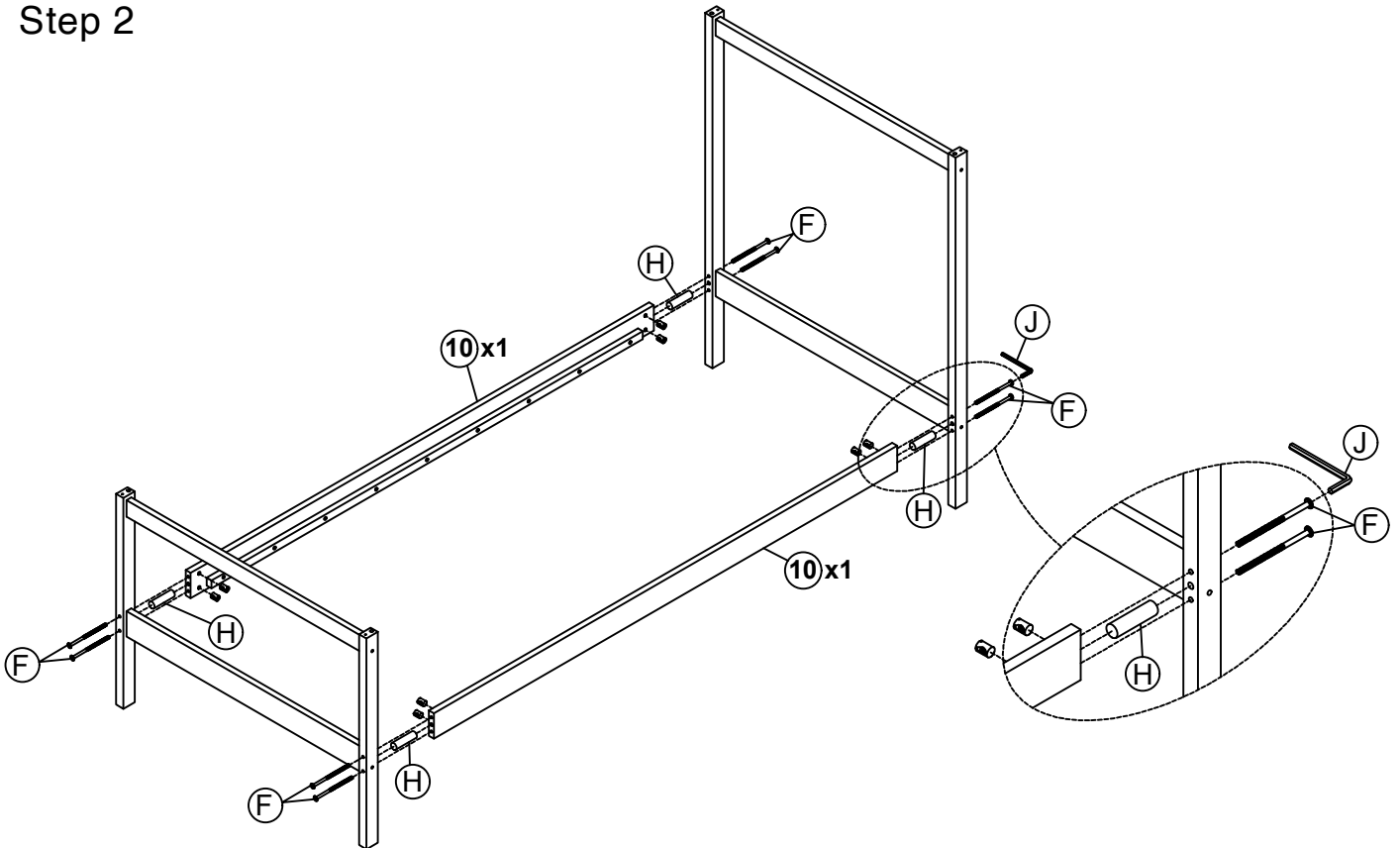
ASSEMBLY INSTRUCTIONS

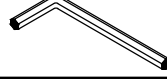
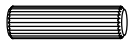

Step 1



J	4x58		1PC				
H	Ø10x40		8PCS	D	6.5x80		8PCS

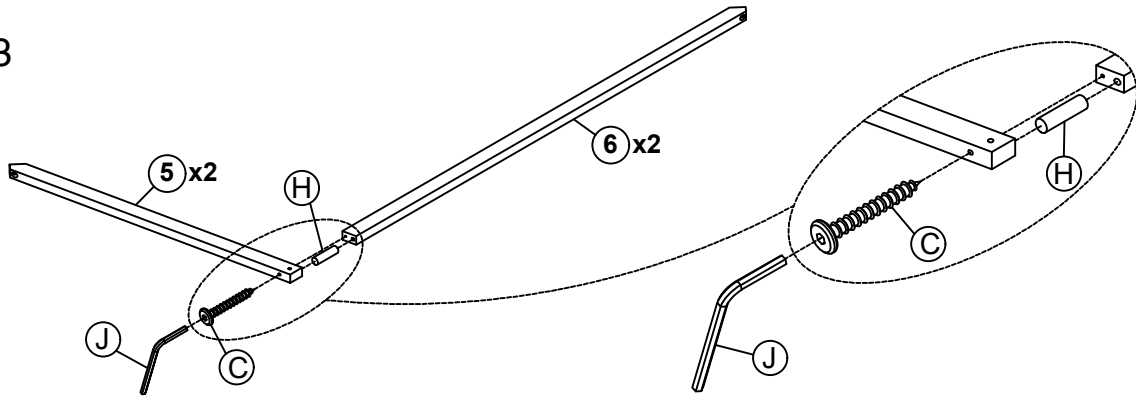
Step 2






				J	4x58		1PC
H	Ø10x40		4PCS	F	1/4x90		8PCS

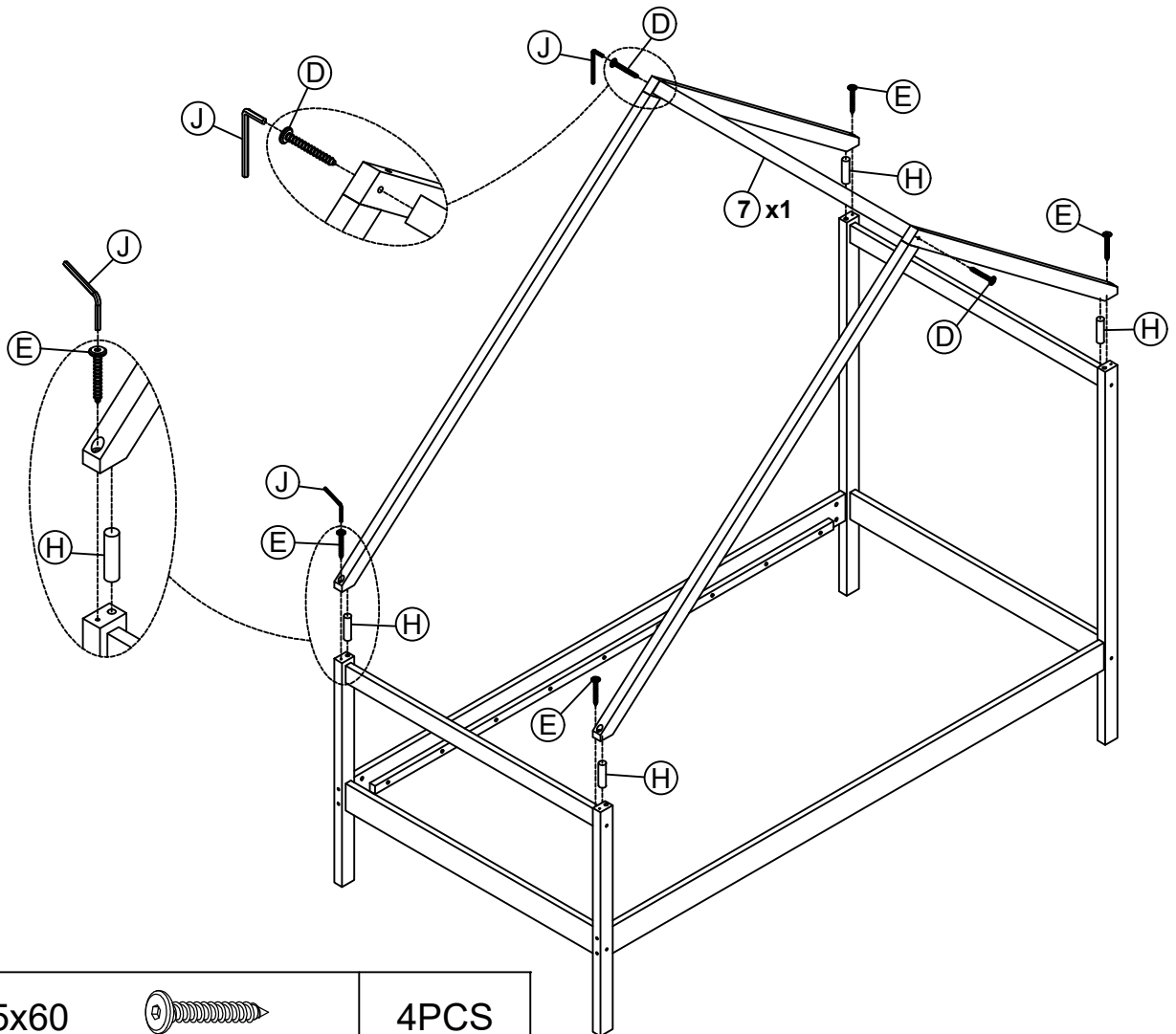
ASSEMBLY INSTRUCTIONS





Step 3



J	4x58		1PC				
H	Ø10x40		2PCS	C	6.5x90		2PCS

Step 4

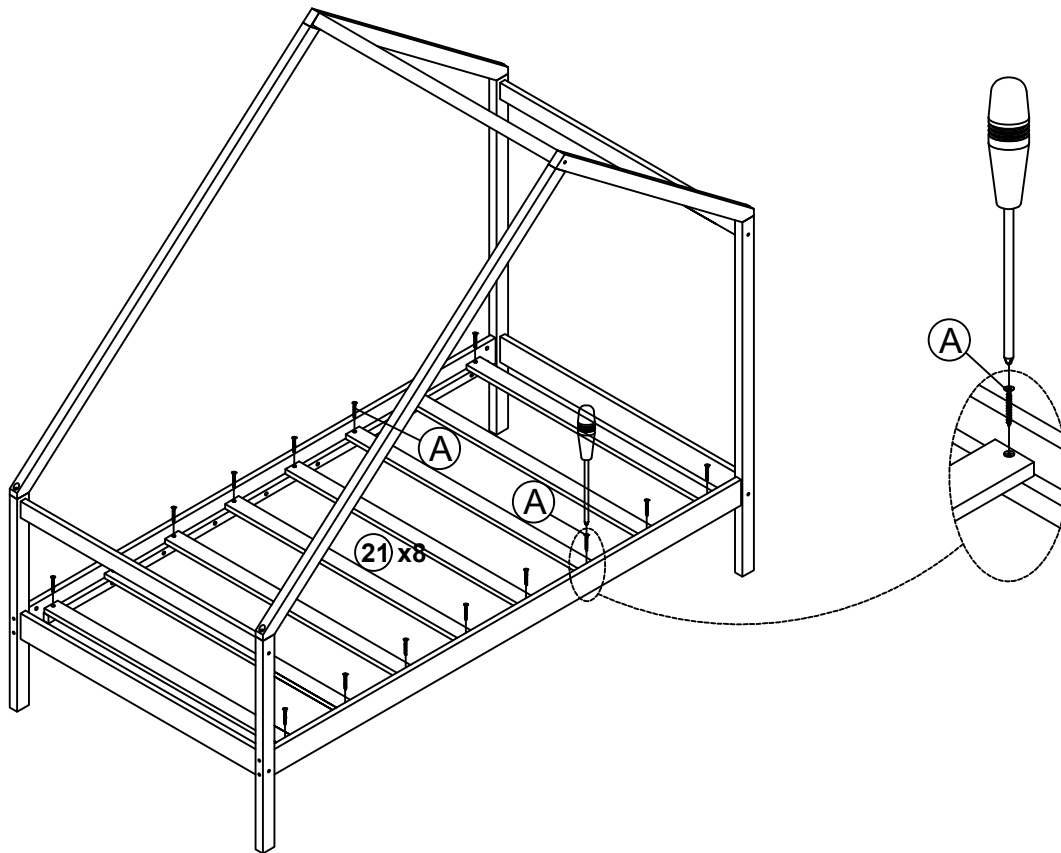


E	6.5x60		4PCS				
D	6.5x80		2PCS				
H	Ø10x40		4PCS	J	4x58		1PC

ASSEMBLY INSTRUCTIONS

Step 5

First attach 2pcs part 21 to the front and end of the frame between headboard. Then attach the remaining part 21 equidistantly between headboard



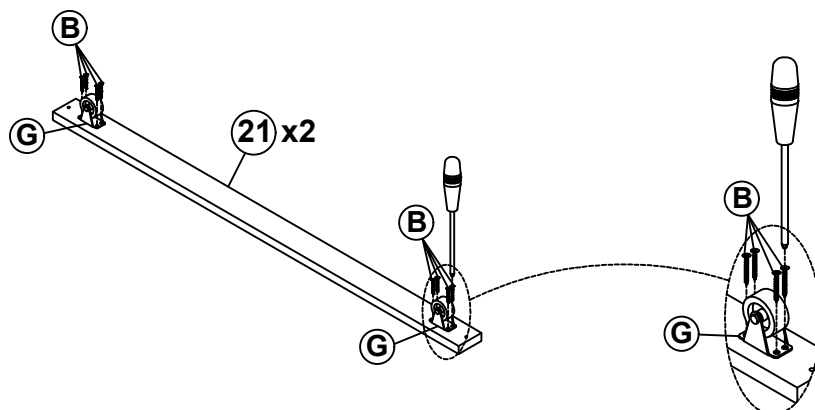
A

Ø4x30



16PCS

Step 6



B

Ø4x15



16PCS

G

Ø38x46x38

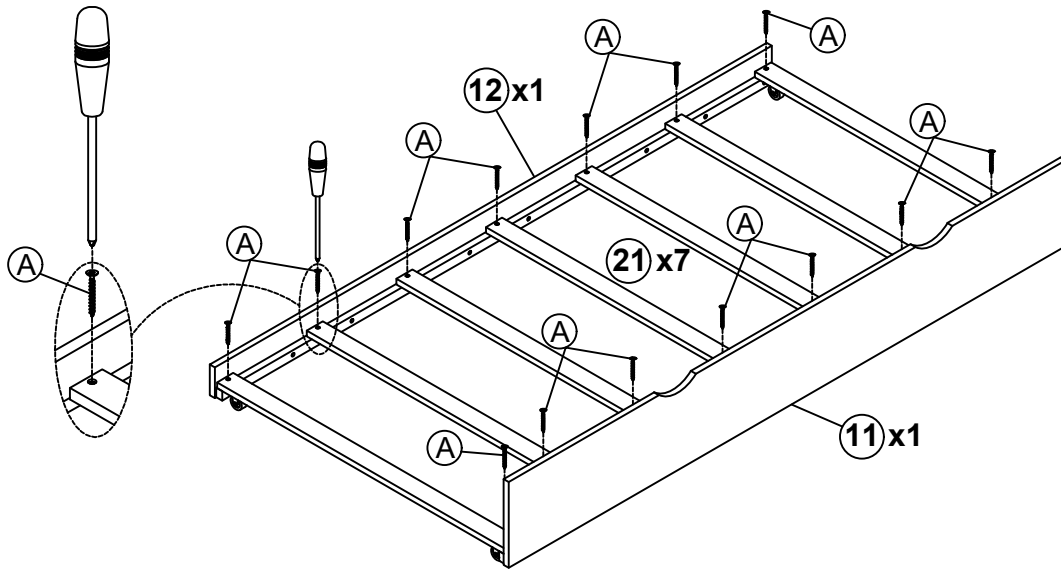


4PCS

ASSEMBLY INSTRUCTIONS

Step 7

First attach 2pcs part 21 to the front and end of the frame, between side rails. Then attach the remaining part 21 equidistantly between side rails.



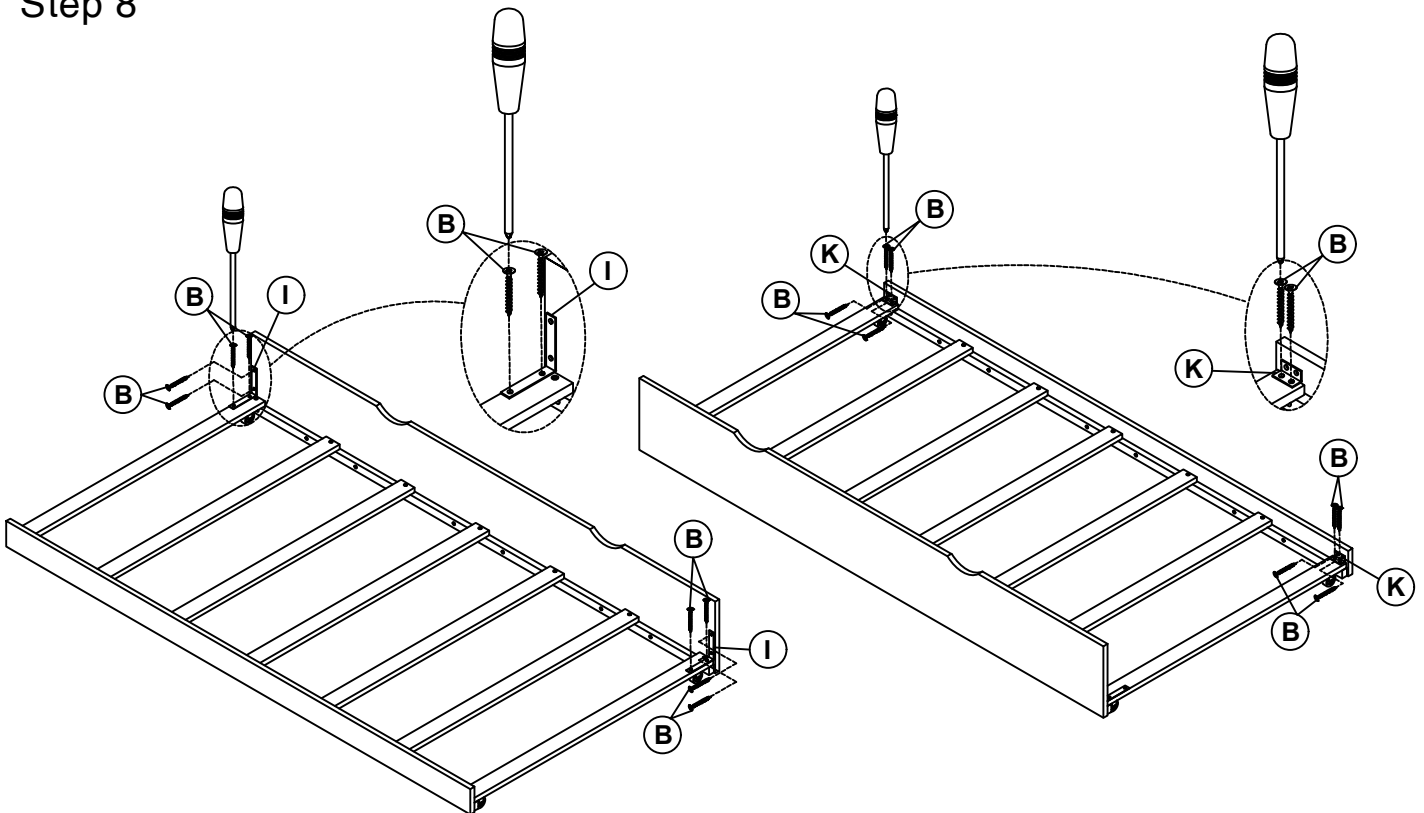
A

Ø4x30



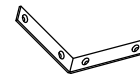
14PCS

Step 8



I

95x95x20



2PCS

B

Ø4x15



16PCS

K

40x20x20



2PCS

ASSEMBLY INSTRUCTIONS

Step 9

