

# BED WITH MATCHING FOOTBOARD

## ASSEMBLY INSTRUCTIONS

Before assembling your bed, please read through these instructions carefully and familiarize yourself with the different parts.

**ATTENTION!** If you receive a damaged or defective item, please contact us



### PARTS LIST

- 1 HEADBOARD PANEL 1 PC
- 2 LEFT LEG 1 PC
- 3 RIGHT LEG 1 PC
- 4 PILLOW STOP 1 PC
- 5 PACKING STICK 2 PCS
- 6 WOOD DOWELS (Factory Installed) 4 PCS
- 7 FOOTBOARD 1 PC

Instructions apply for bed sizes  
**QUEEN > KING**

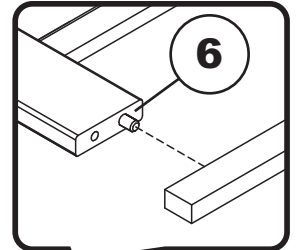
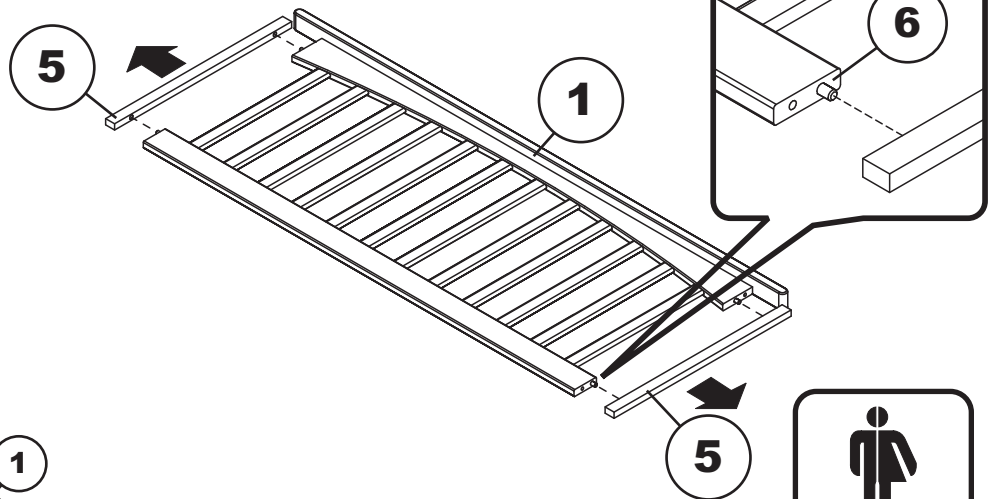
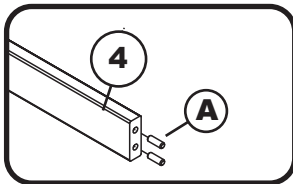
### HARDWARE

- A Wooden dowel - 4 pcs  
Spare - 1 pc
- B JCB M6 X 110mm (4 3/8") - 4 pcs  
Spare - 1 pc
- C Barrel nut - 4 pcs  
Spare - 1 pc
- D Allen wrench - 1 pc  
Spare - 1 pc

**NOTE: WE INCLUDE SPARE HARDWARE IN CASE DAMAGE OCCURS DURING ASSEMBLY.**

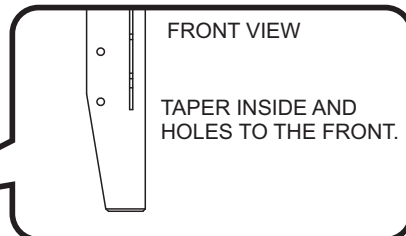
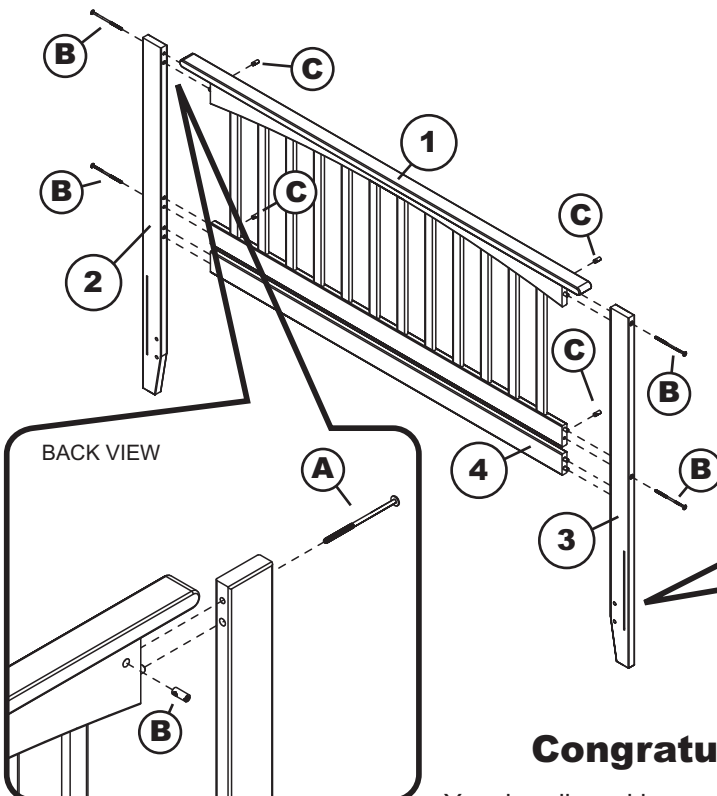
### Step 1

Remove packing stick (5) from headboard panel (1) and **DISCARD**. Insert wooden dowels (A) to the locator holes on pillow stop (4).



### Step 2

Attach the legs (2) and (3) to headboard panel (1), and pillow stop (4) using JCB (B) and barrel nut (C). Tighten with the Allen wrench (D).



**Congratulations!**

Your headboard is now assembled.

To ensure lasting safety, we recommend that you periodically check that all screws are tight and all parts are secure.

**PO :**

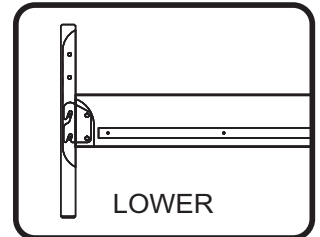
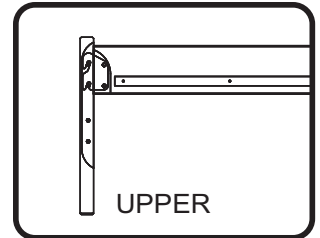
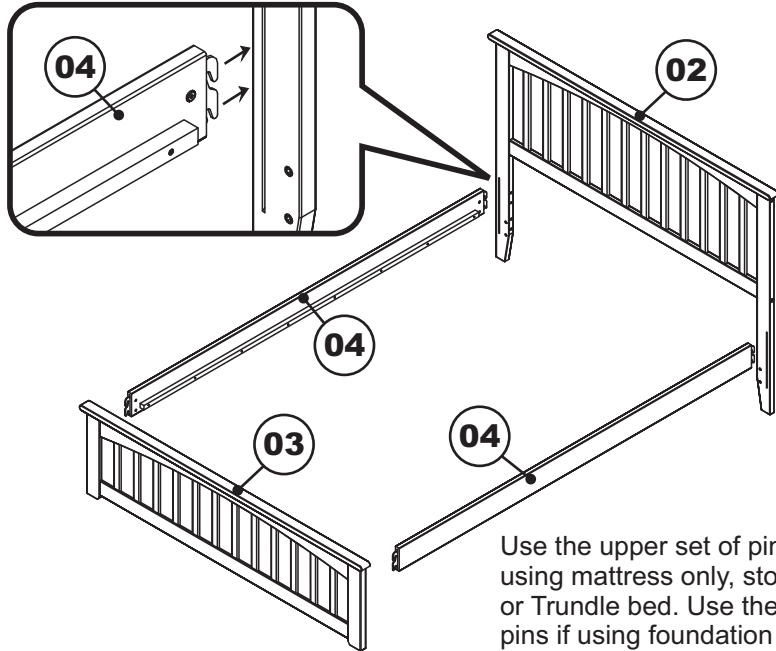
# BED WITH MATCHING FOOTBOARD



- 01 HARDWARE
  - 02 HEADBOARD
  - 03 FOOTBOARD
  - 04 SIDE RAILS
- BOX 1 (for 02, 03)  
BOX 2 (for 04)

## Step 1

Attach the side rails (04) to the headboard (02) and footboard (03) using the bed hook as shown below.



Use the upper set of pins when using mattress only, storage drawers or Trundle bed. Use the lower set of pins if using foundation and mattress.

## Step 2

Lastly, lay slat kit or foundation support board onto the bed. For assembly, follow the assembly instructions included with support system.

PLATFORM BED - TALL HEIGHT

TRADITIONAL BED - LOW HEIGHT

