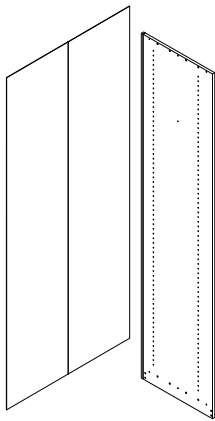
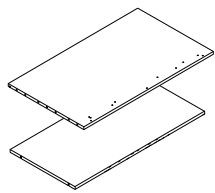


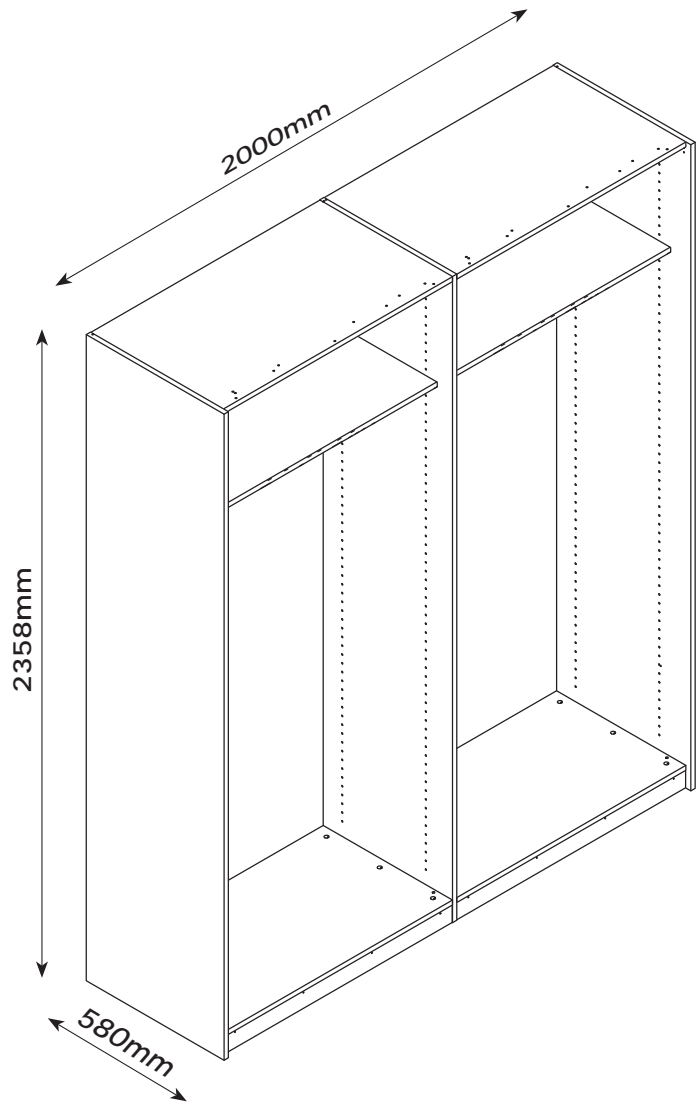
1x FI3399

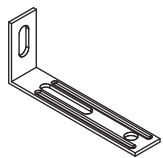
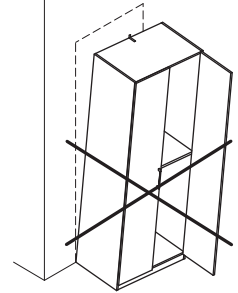
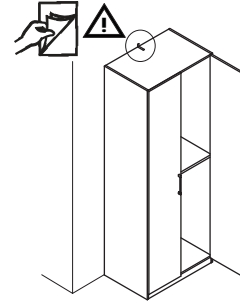
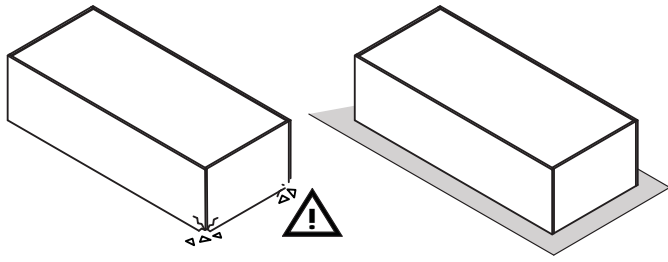
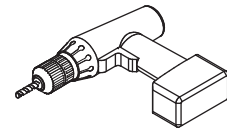
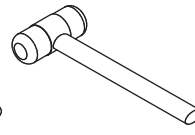
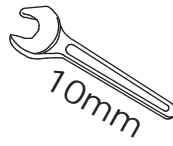
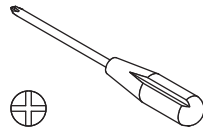
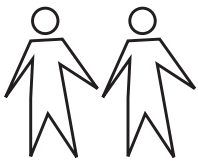


1x TR3400



2x PI3398





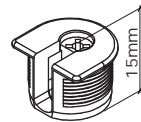
H185
x2



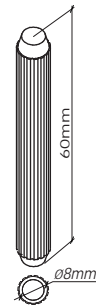
H129
x4



V81
x4



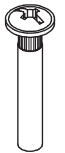
T70
x8



H82
x12



V32
x2



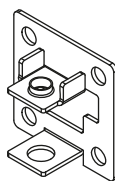
T9
x2



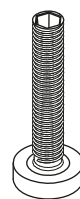
H2
x44



V5
x44



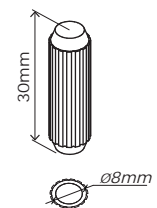
W505
x3



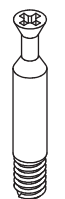
P61
x3



V10
x12



H1
x32



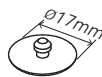
T28
x12



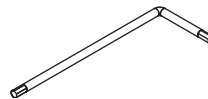
T99
x24



G184
x4



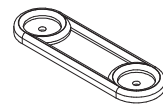
G181
x24



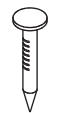
H138
x1



T109
x8



P16
x3



H15
x6



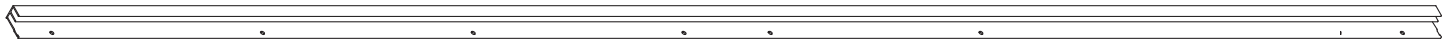
G186
x10



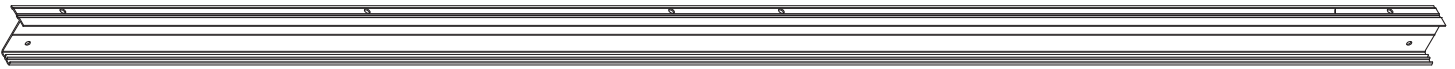
T103
x12



T53
x6



K176 x1
L. 1944mm



K175 x1
L. 1944mm



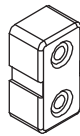
m x2
Ø6x16mm



n x2
Ø11x4,85mm



o x2
Ø11x1,7mm



p x2
60x16x12mm



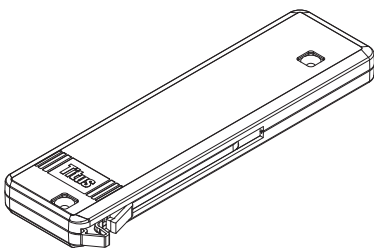
q x4
Ø3x22mm



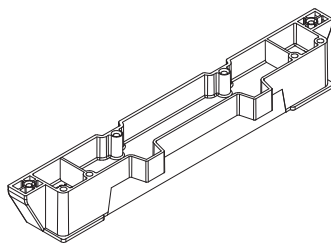
r x8
Ø3x12mm



v x6
Ø6,3x15mm



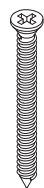
a x2
973-9041-380



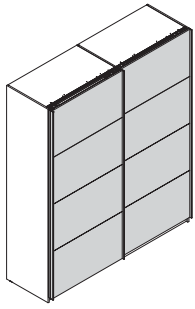
b x2
973-4507



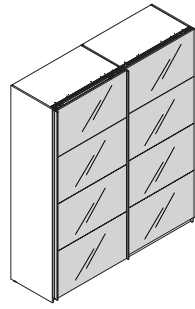
e x2
973-4510



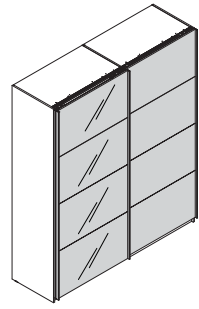
f x8
973-7511
Ø4x40mm



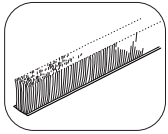
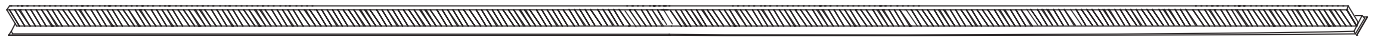
2x AN3384



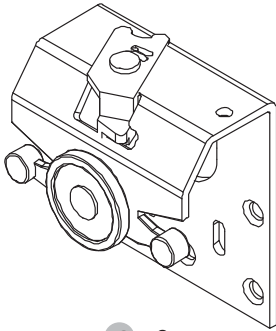
2x AN3389



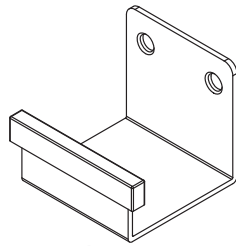
**AN3389
+
AN3384**



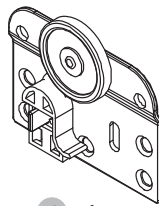
H316 x1
L. 2285mm



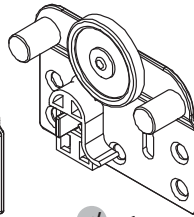
a x2
80x48x92mm



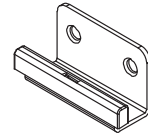
b x2
58x63x51mm



c x1
80x60x8,5mm



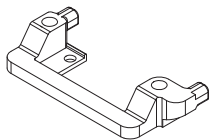
d x1
80x60x8,5mm



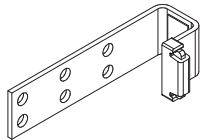
e x2
57x20x31mm



f x24
ø6,3x11mm



c x1
973-4508



W580 x1



g x4
823-6203
ø6,3x15mm



h x1
821-6332
ø6,3x15mm



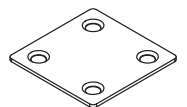
i x1
820-6328
ø4x16mm



V29
x16



V13
x96



W498
x12



M208 x1
L. 2287mm

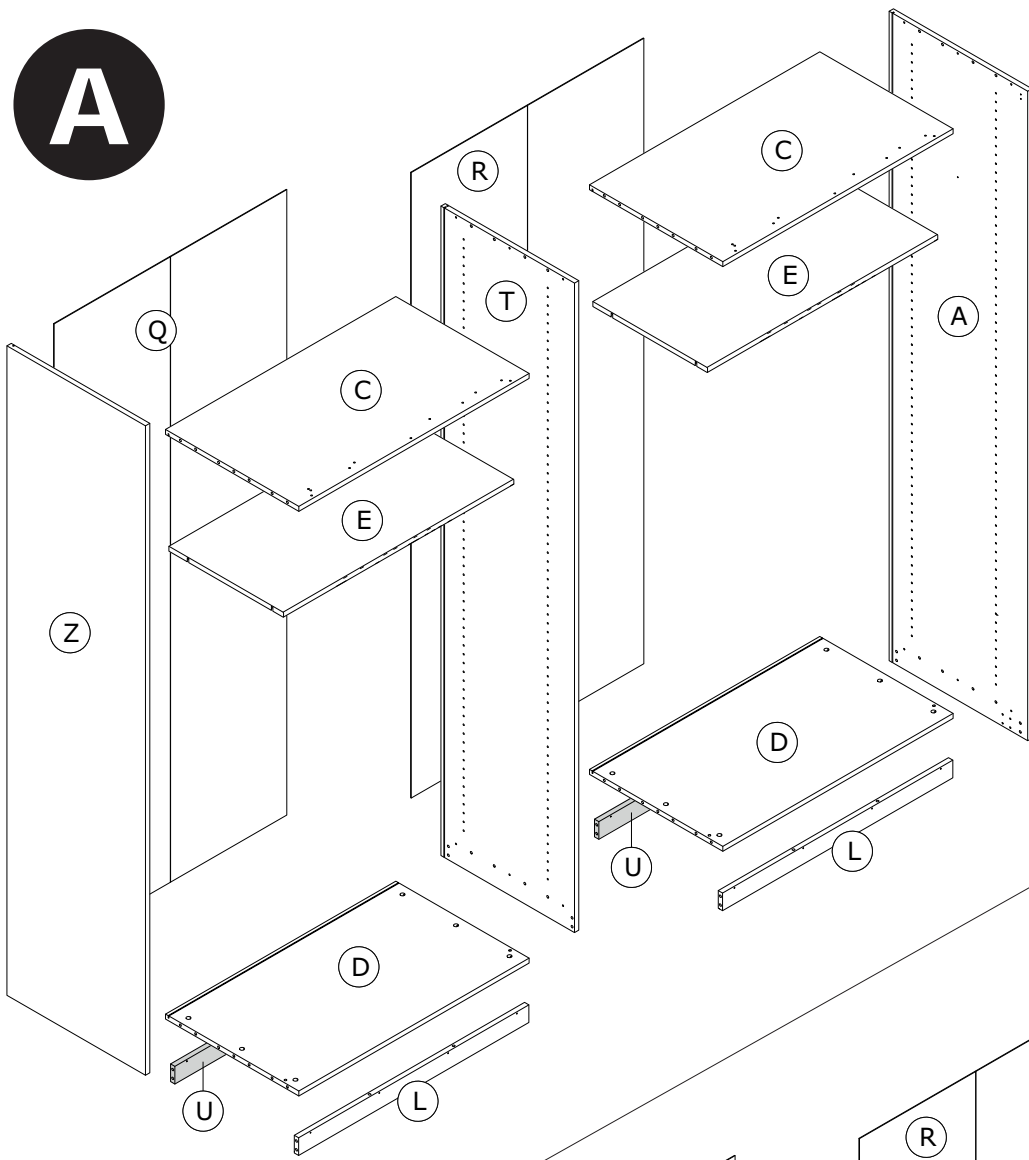


M207 x3
L. 2287mm

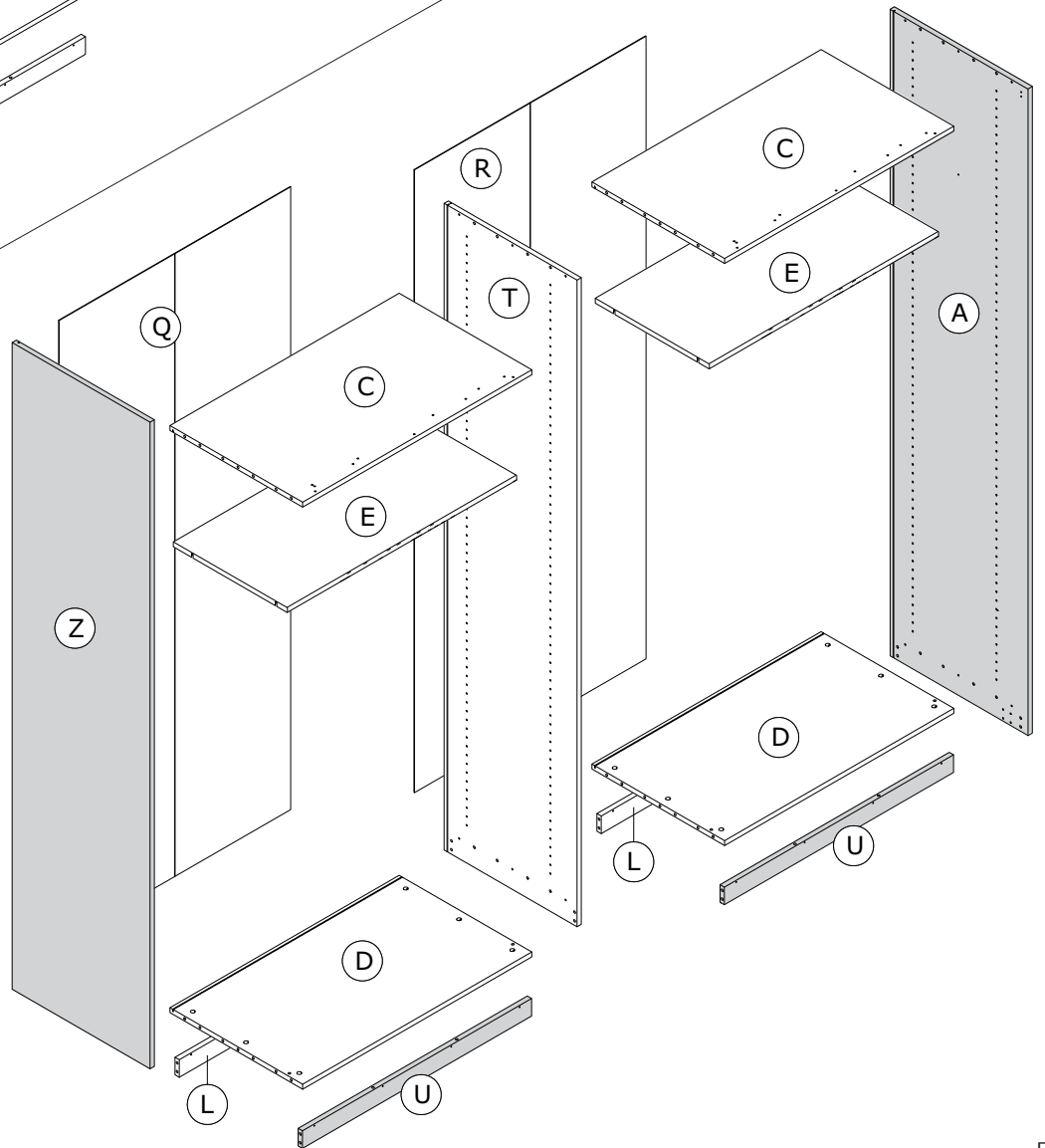


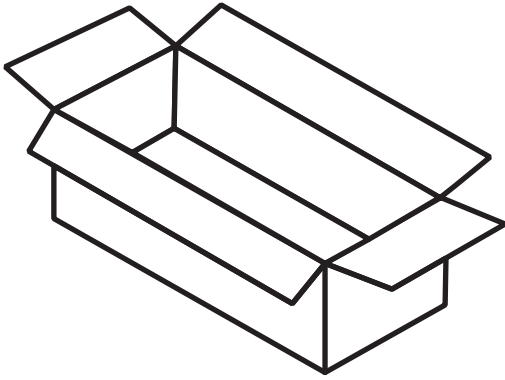
W588 x1
L. 2287mm

A

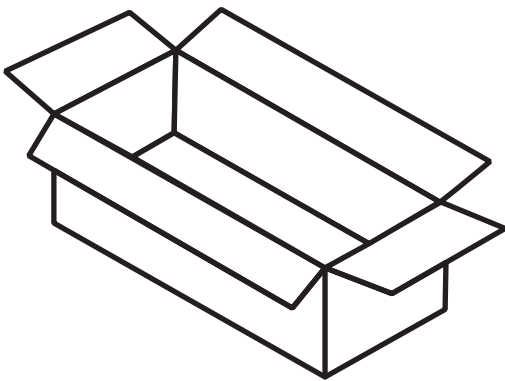
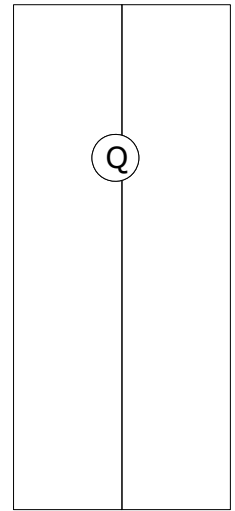
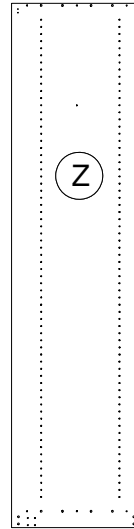
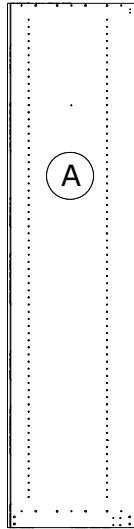


B

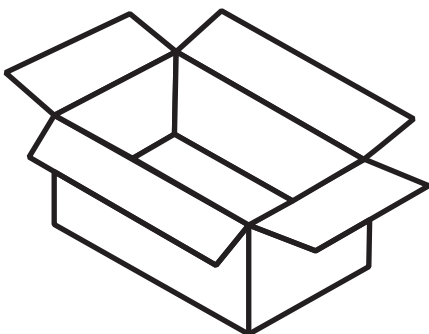
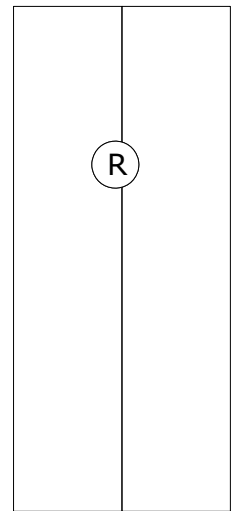
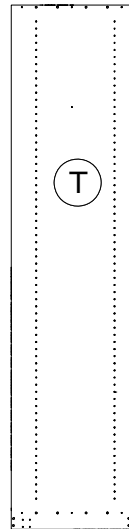




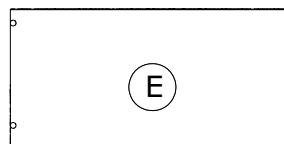
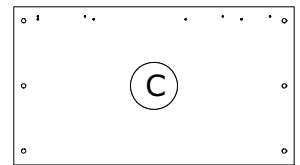
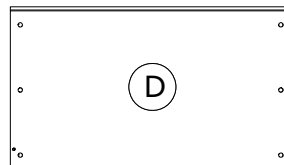
1x FI3399

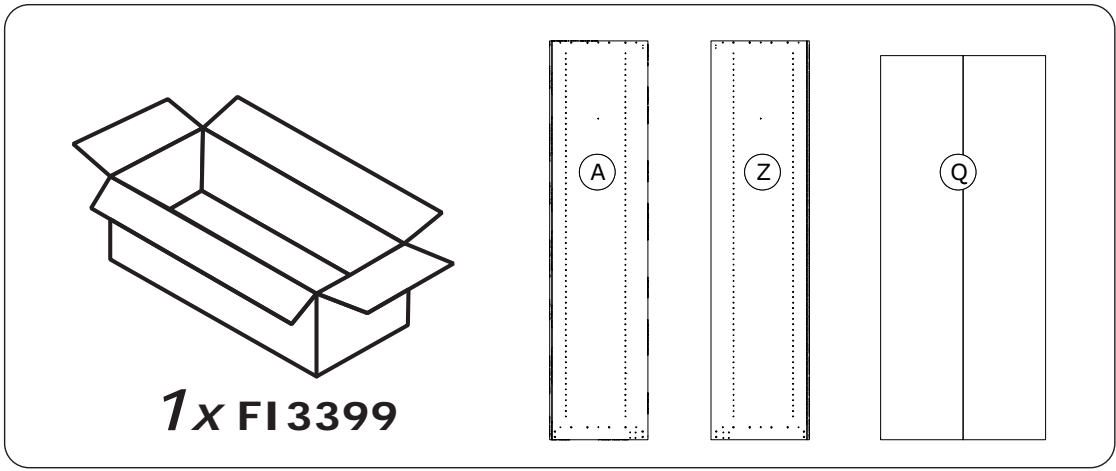


1x TR3400

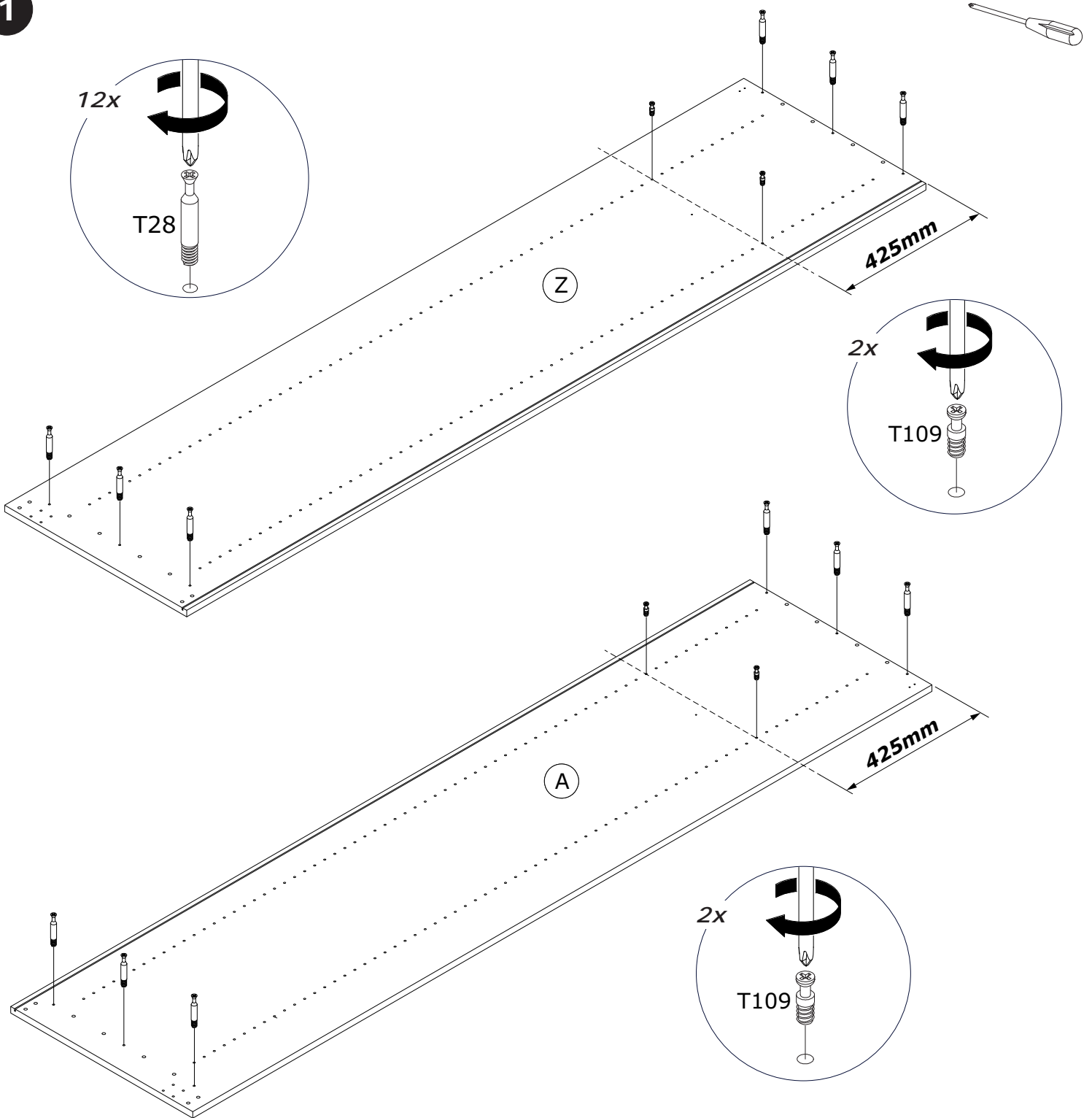


2x PI3398

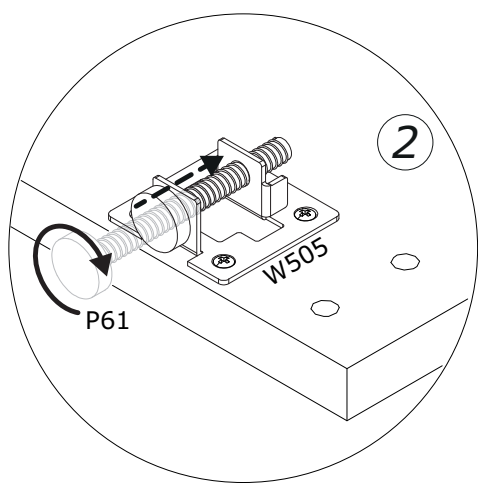
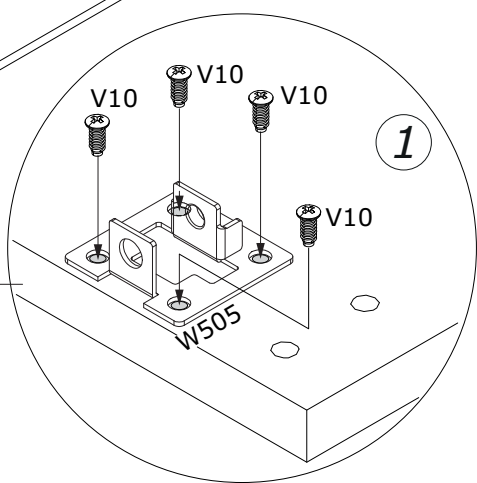
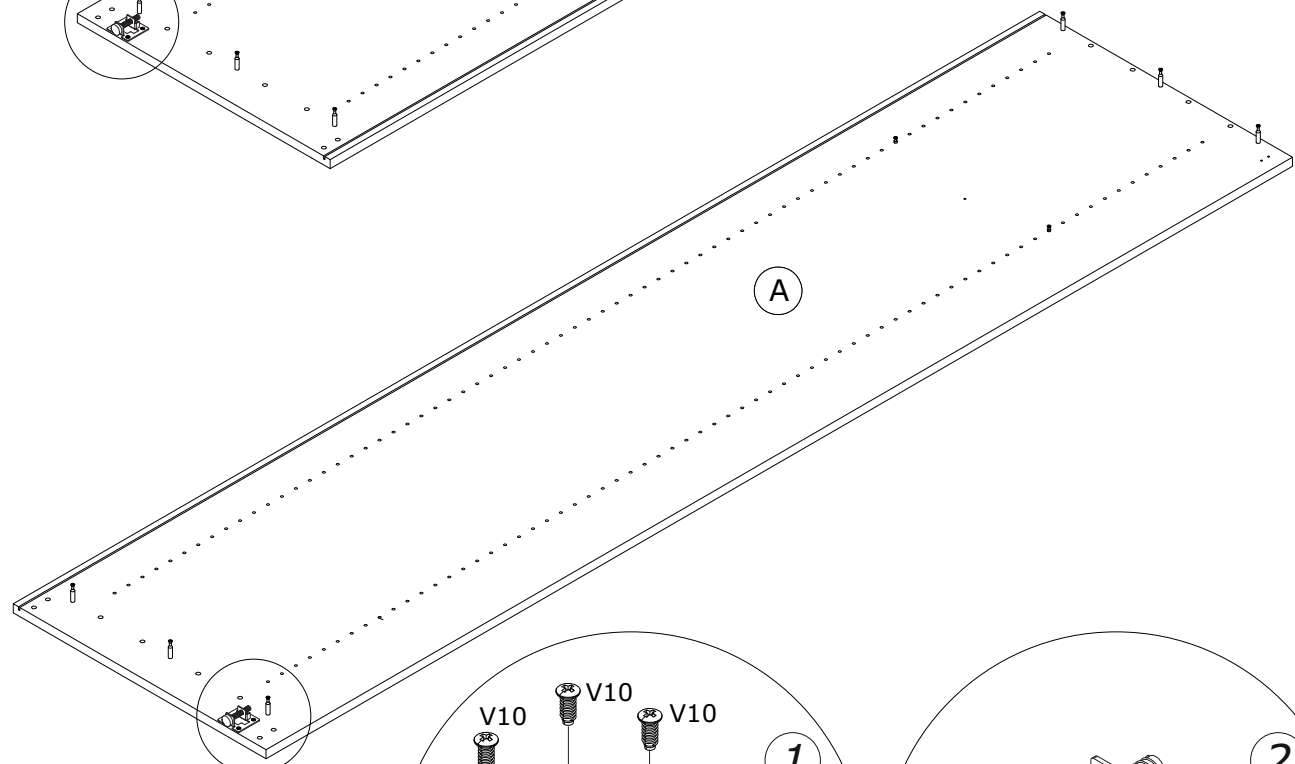
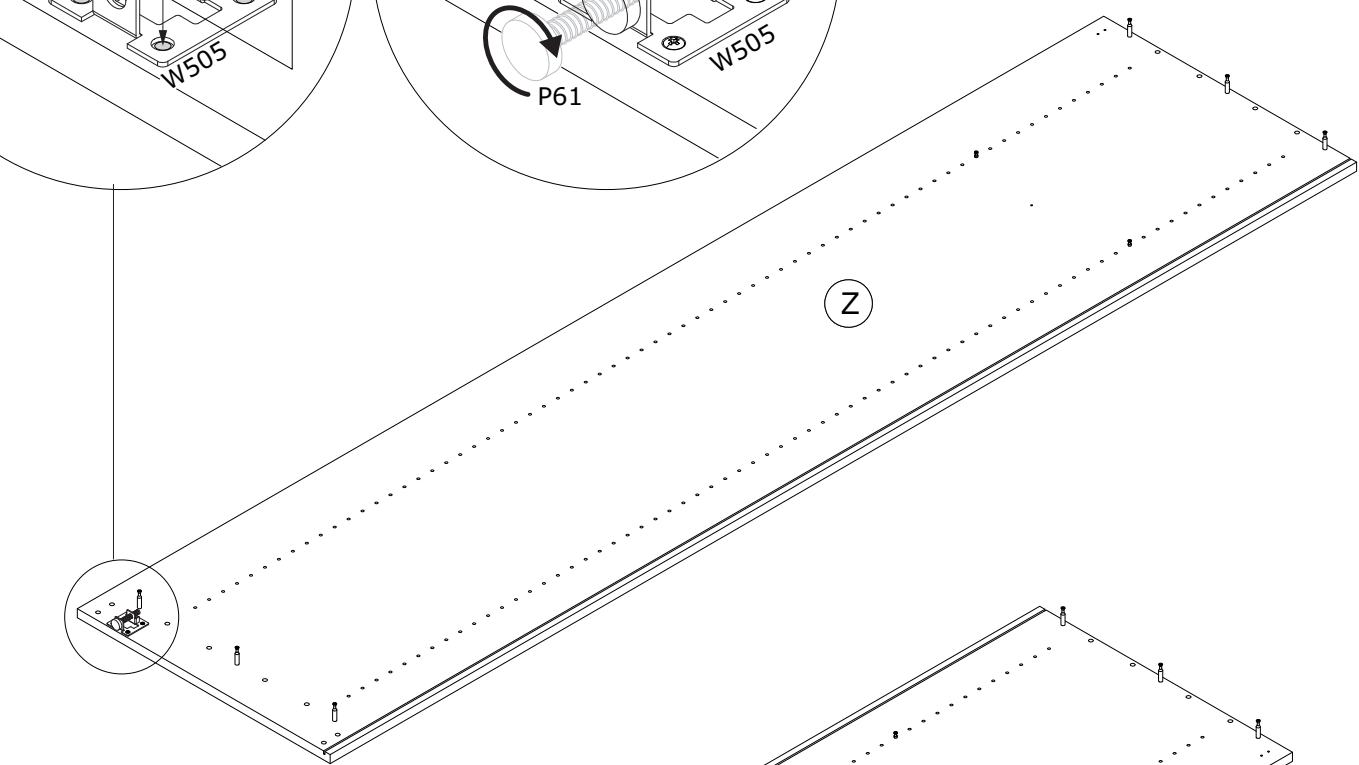
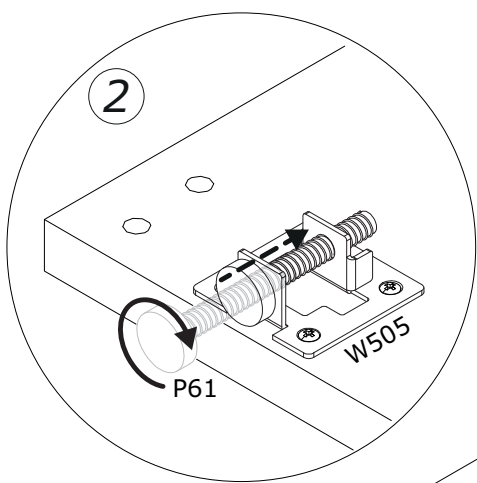
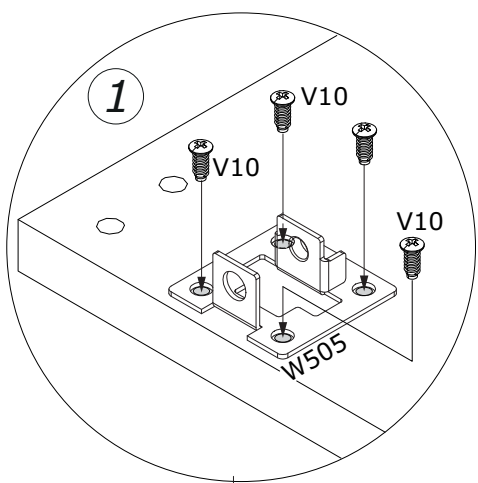
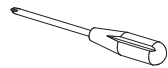




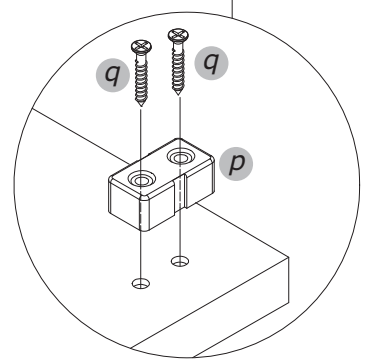
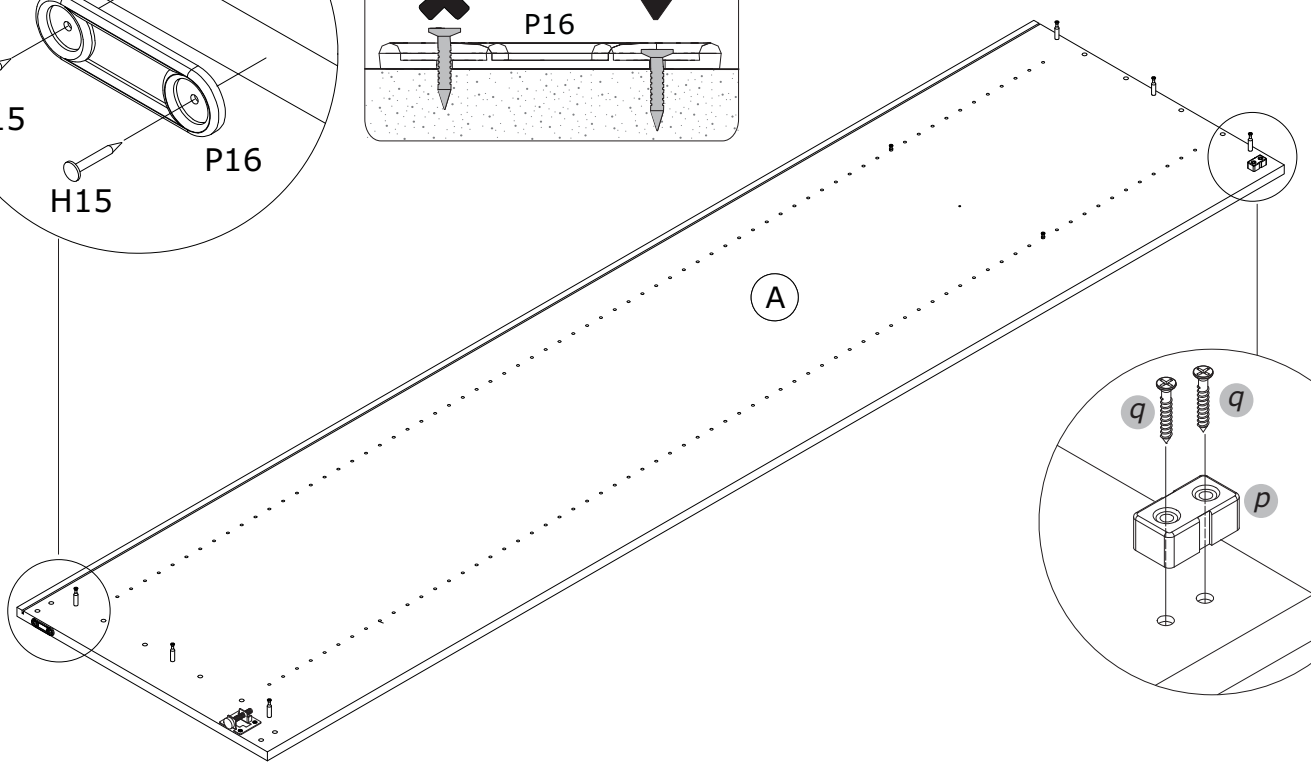
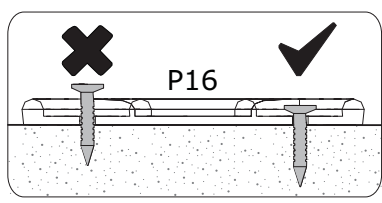
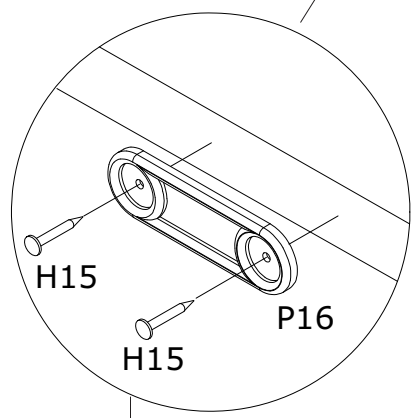
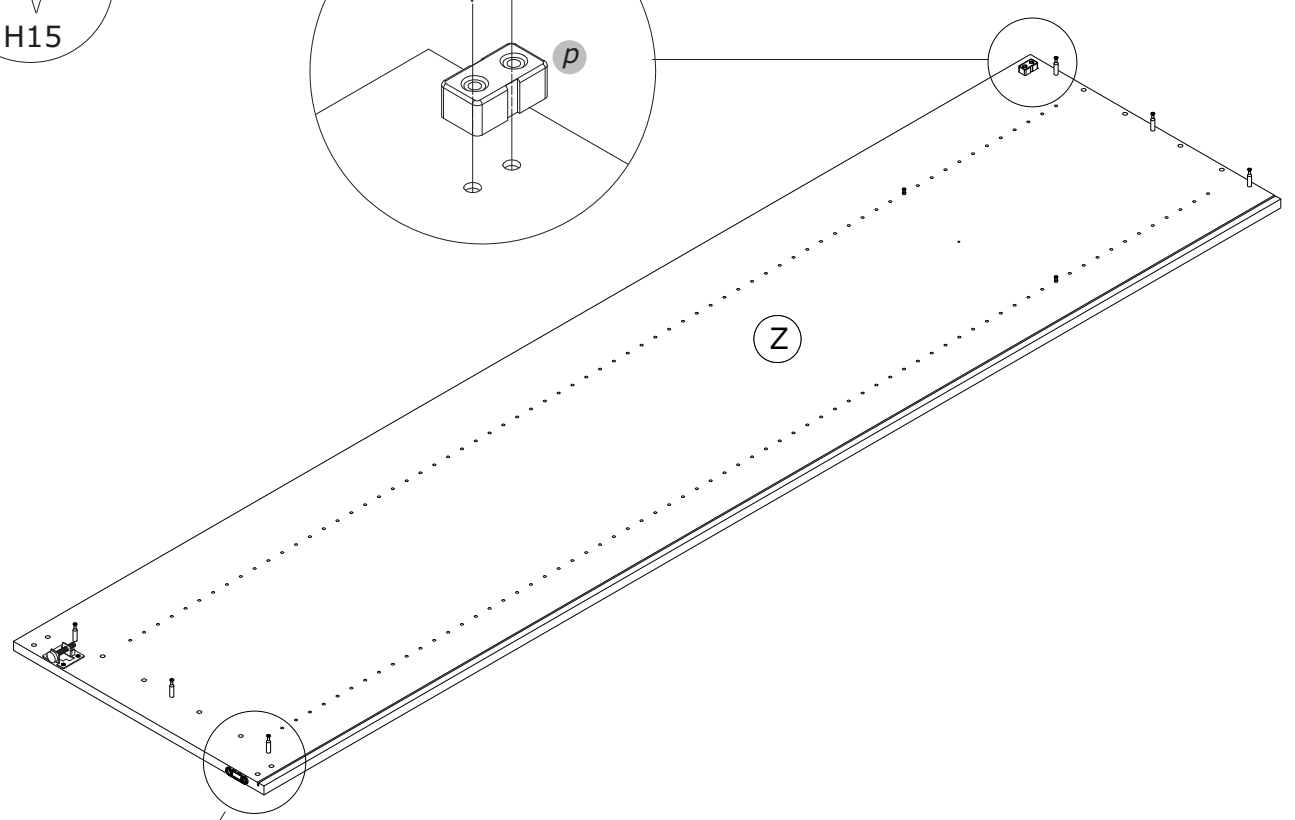
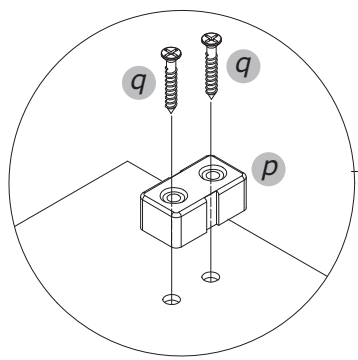
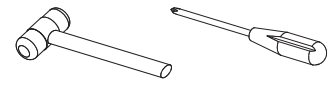
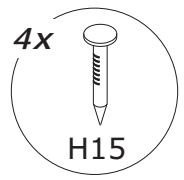
1

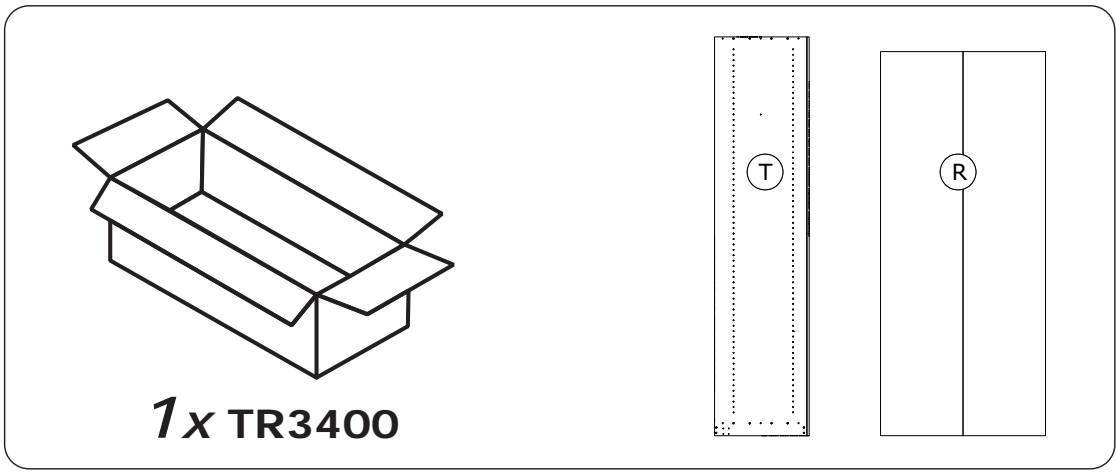


2

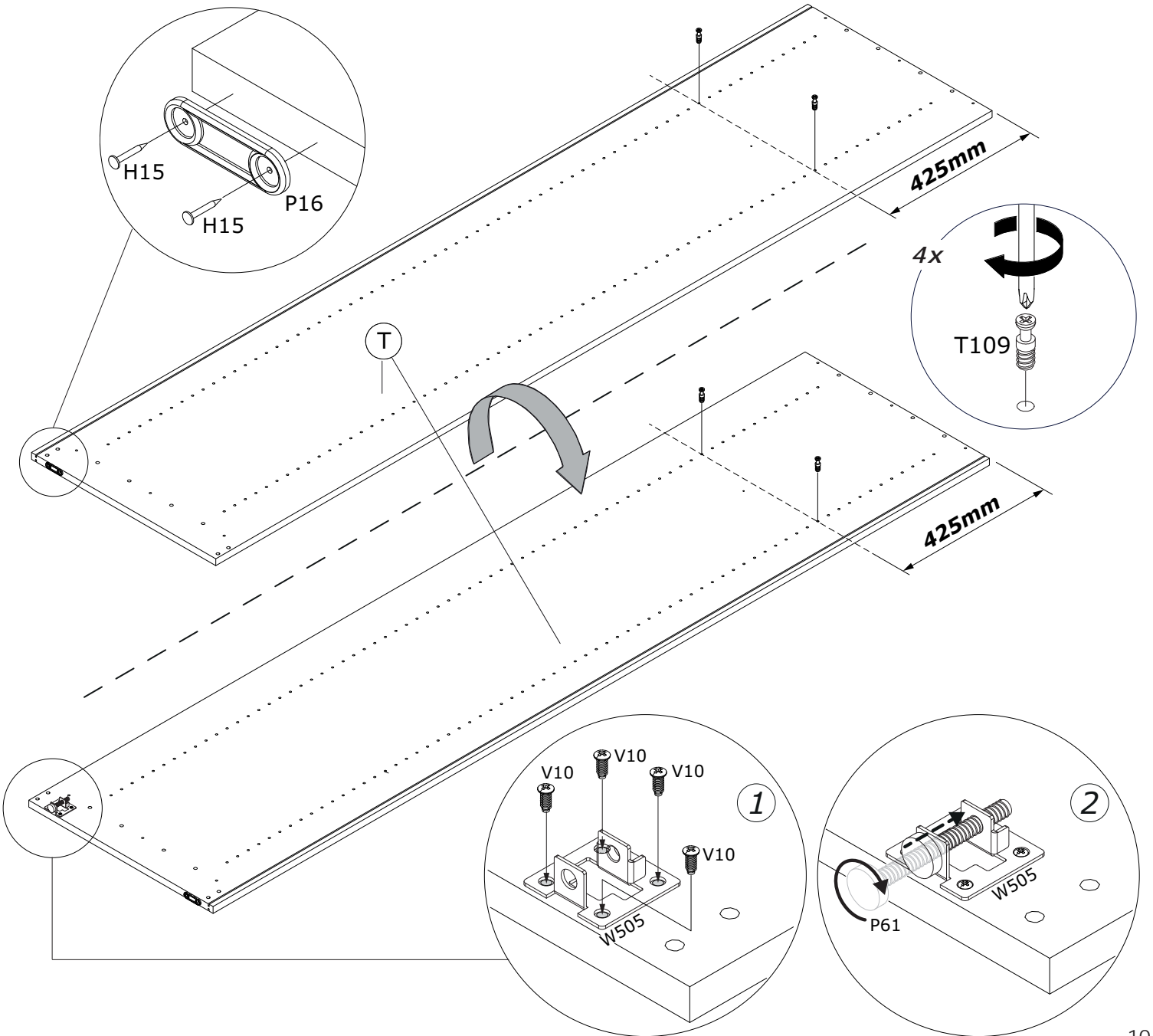
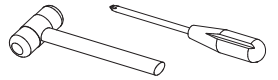
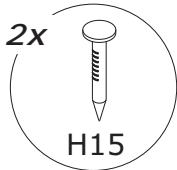
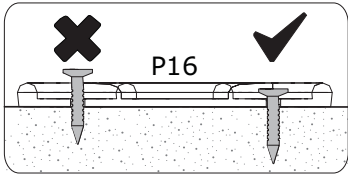


3

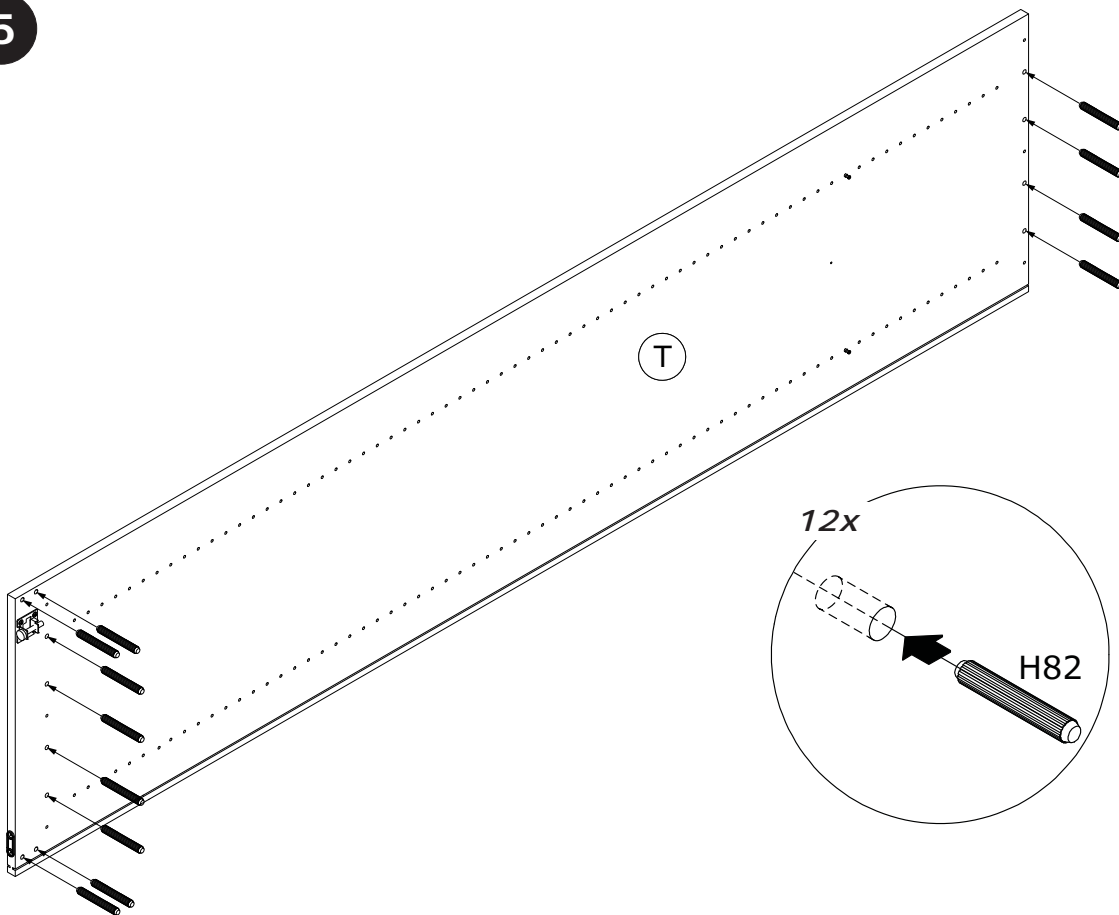




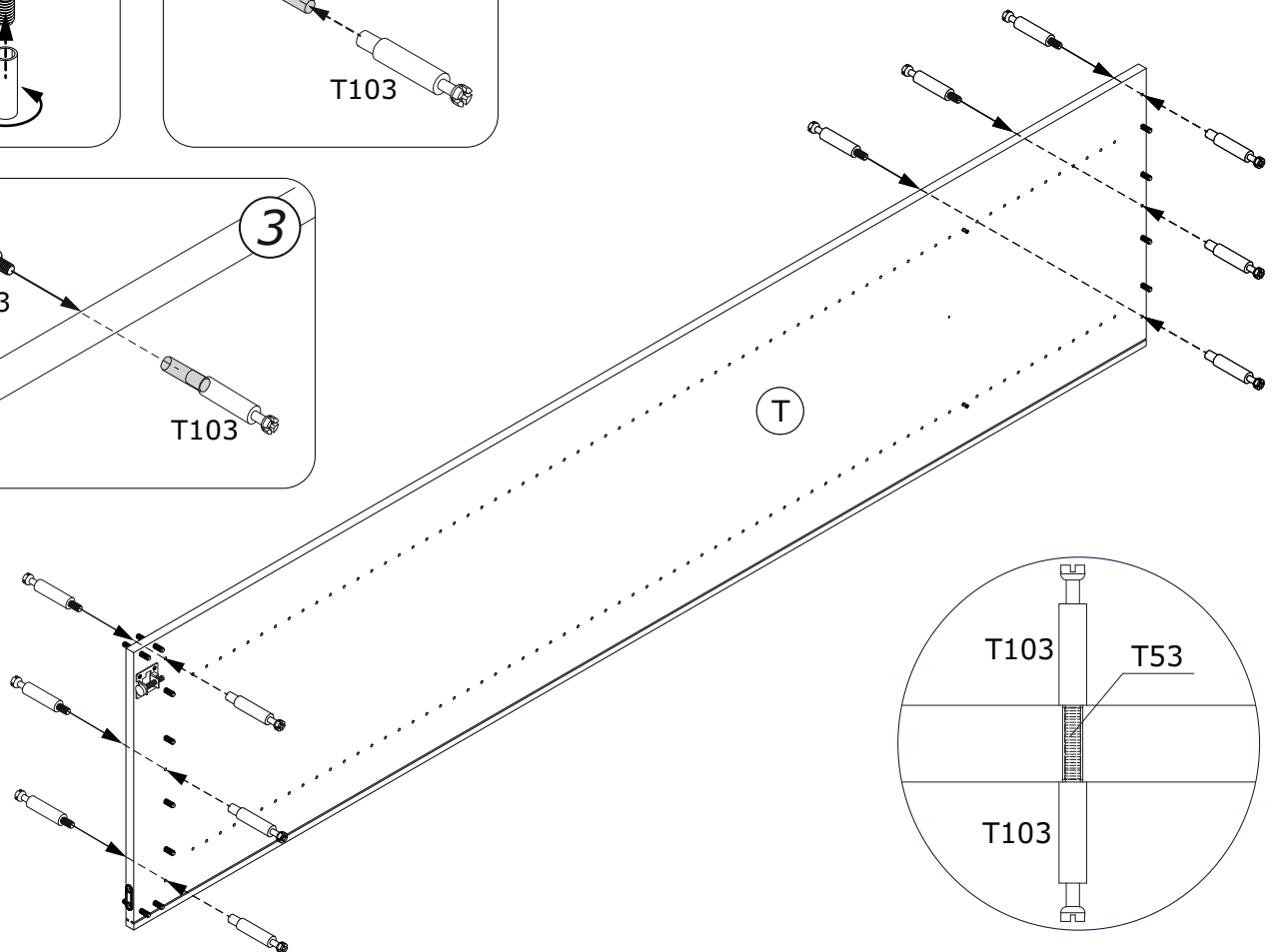
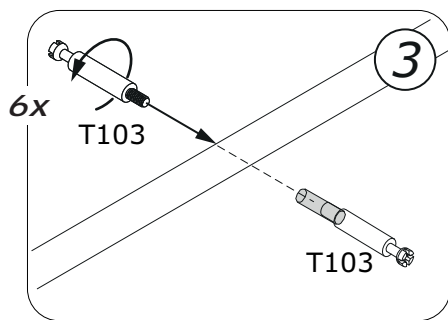
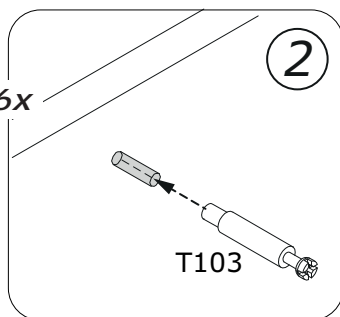
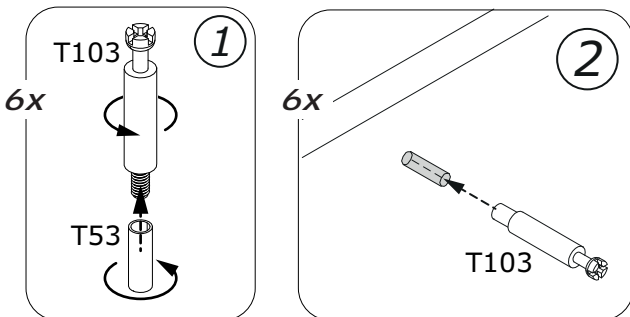
4

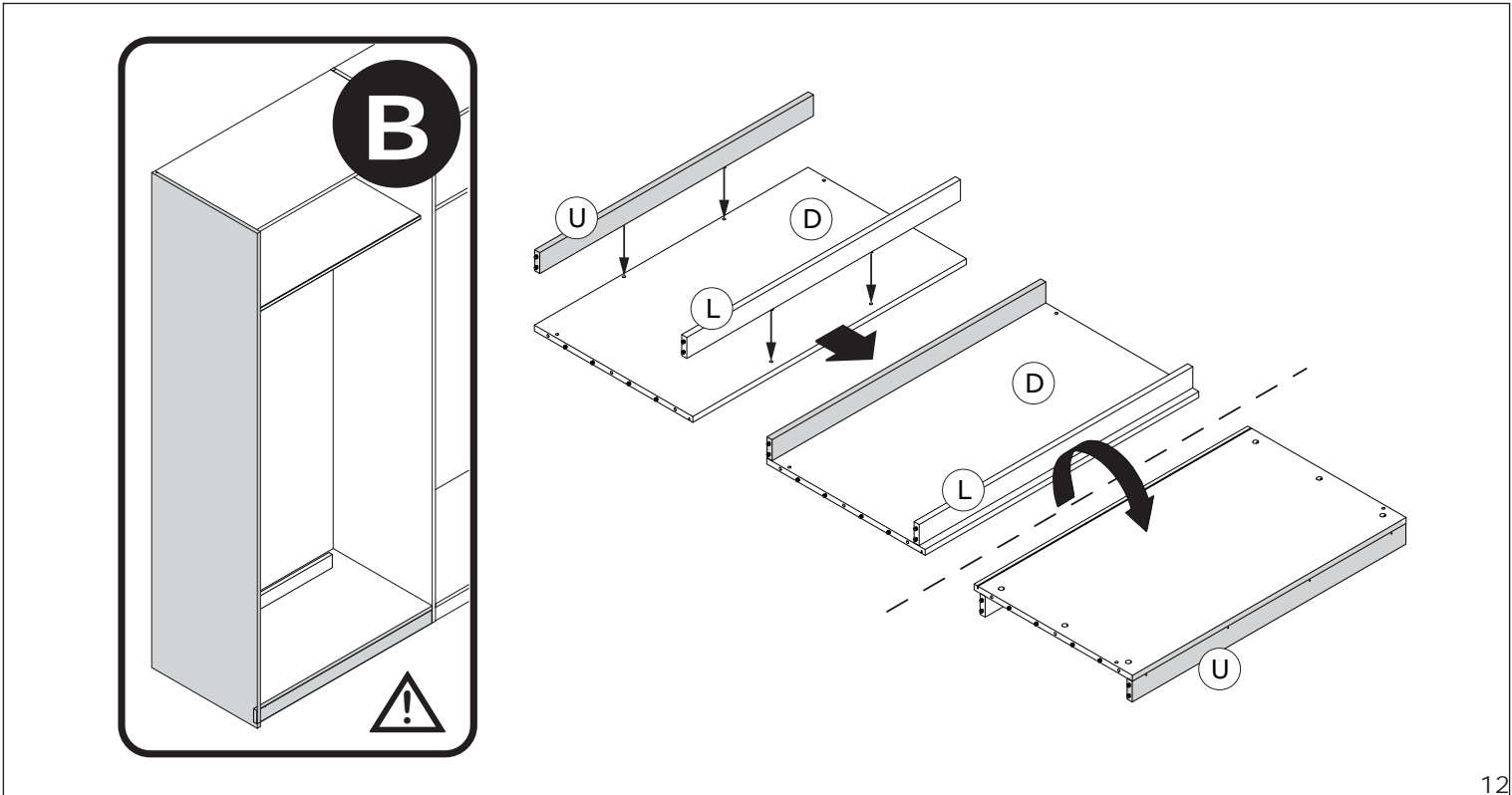
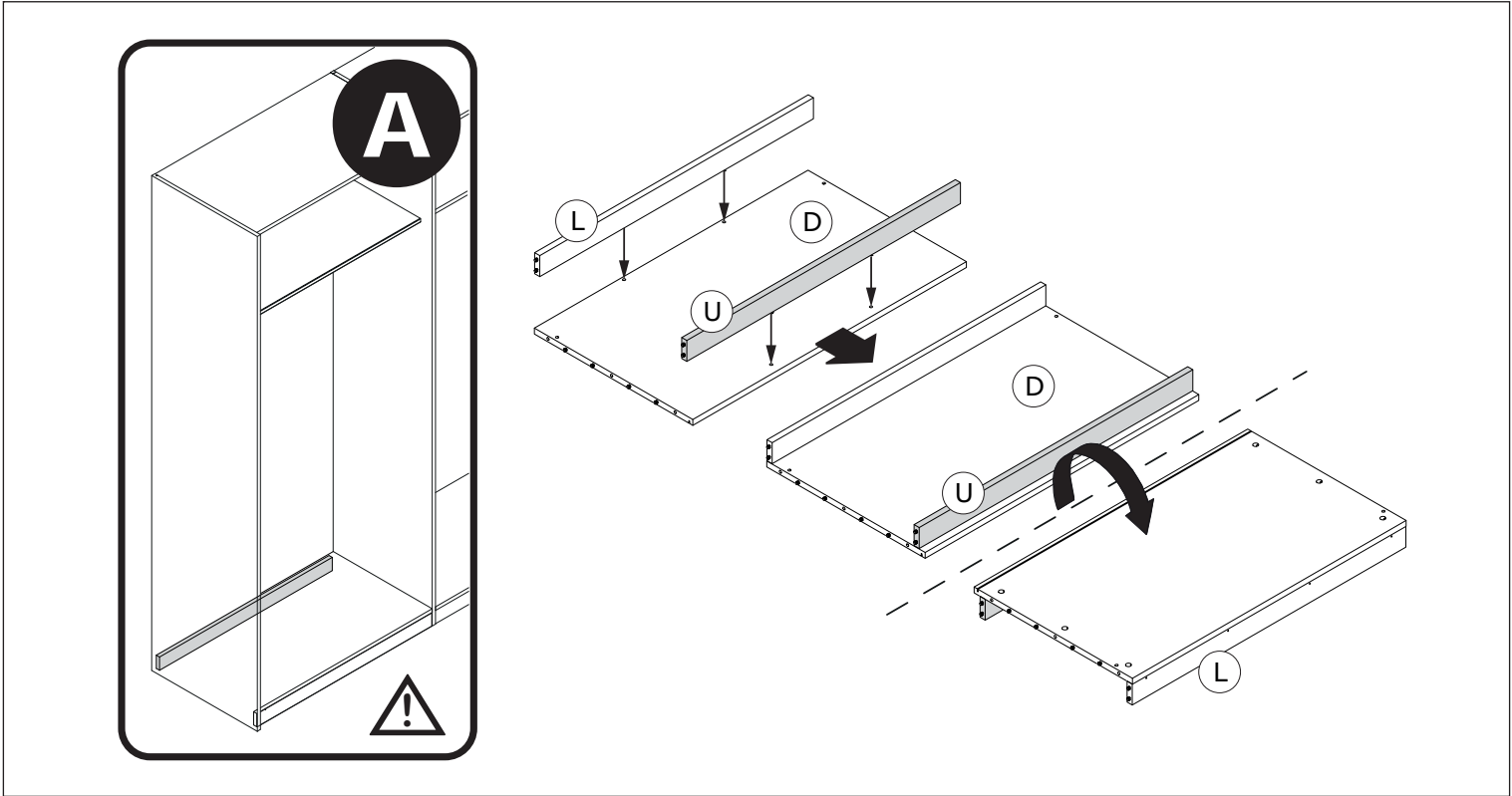
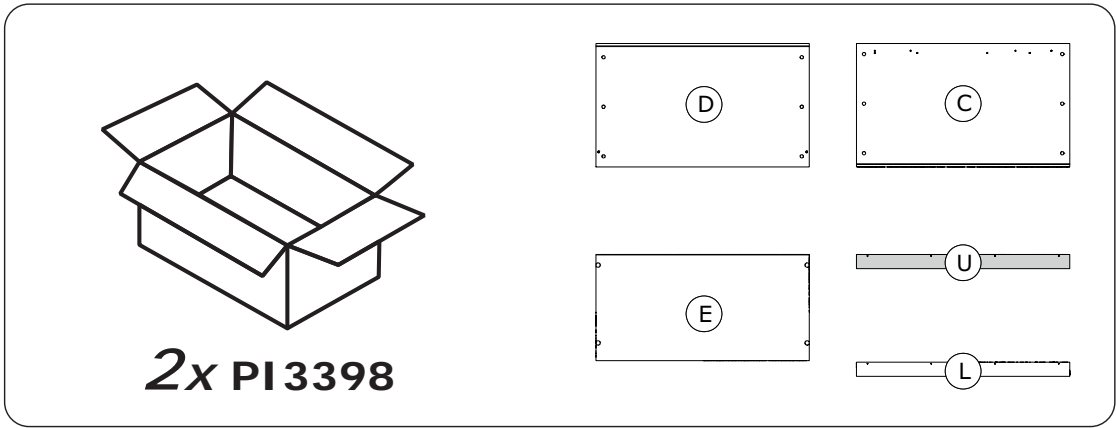


5

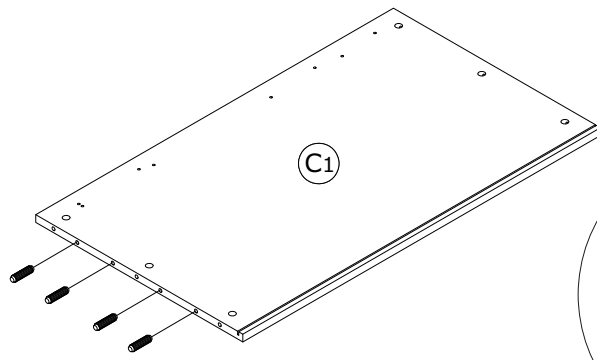
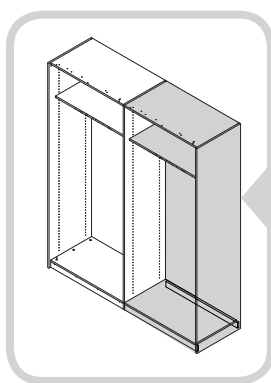
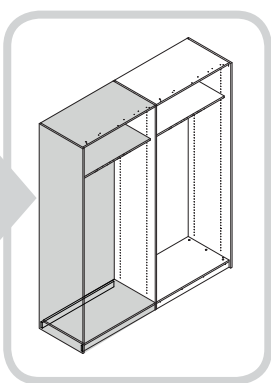
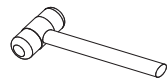


6

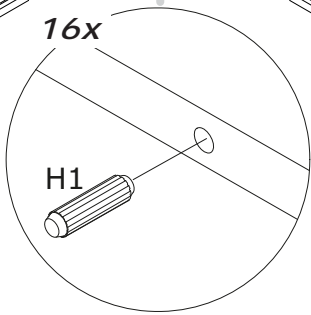
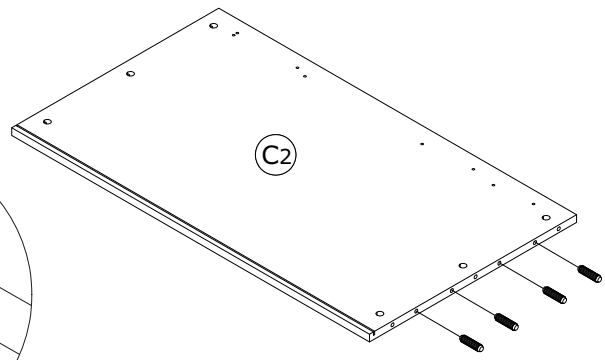




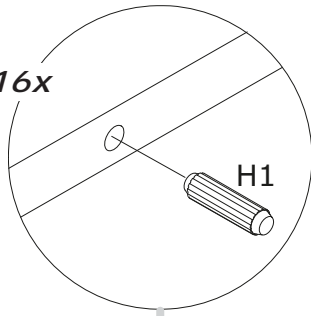
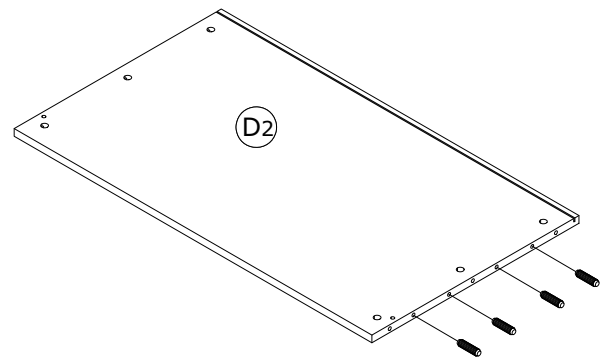
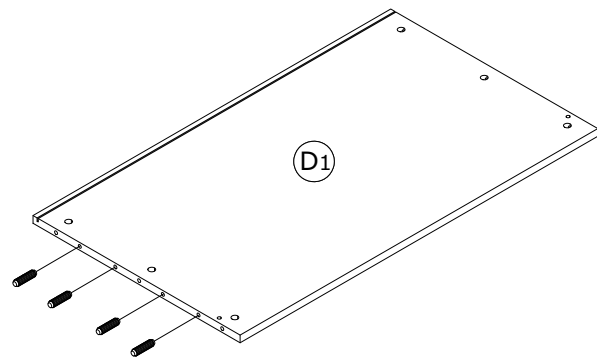
7



16x

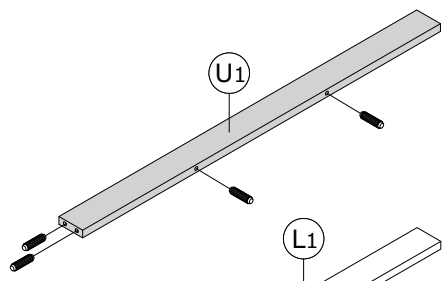


H1

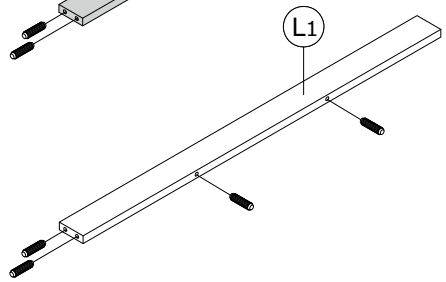


16x

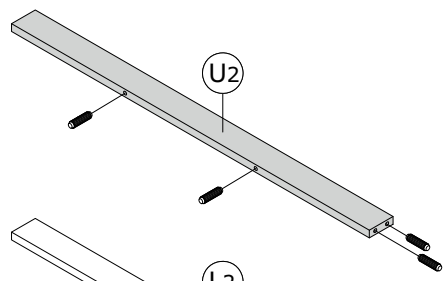
H1



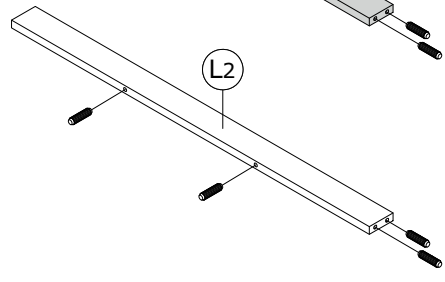
U1



L1

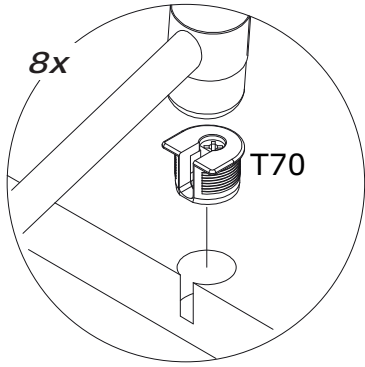
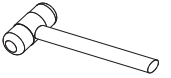


U2

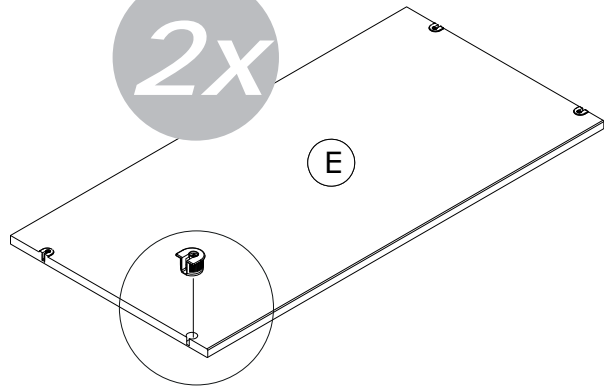


L2

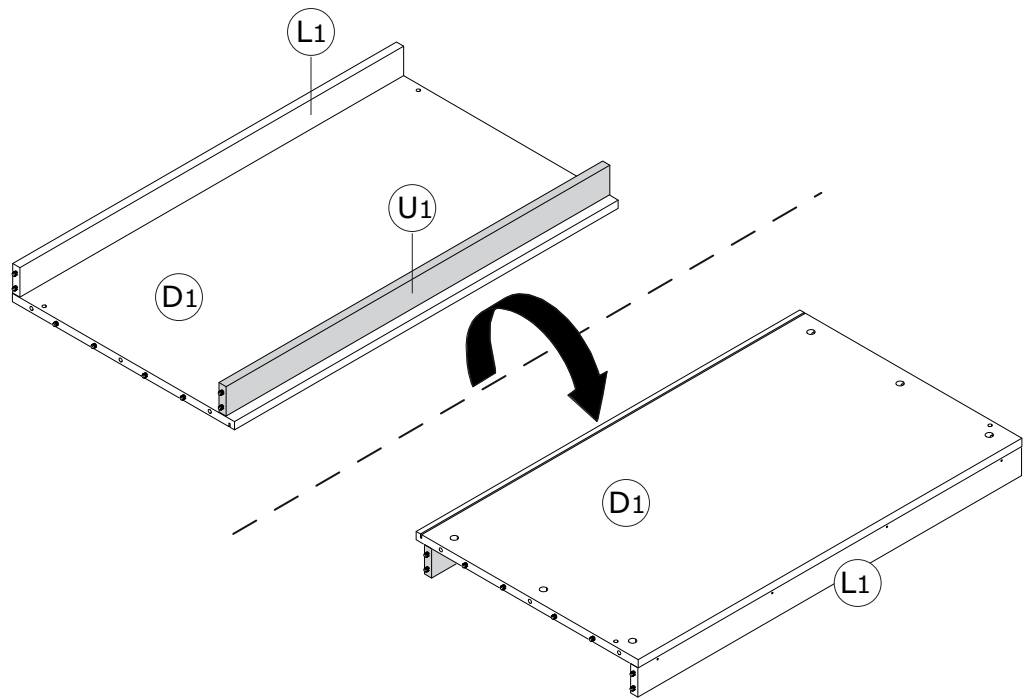
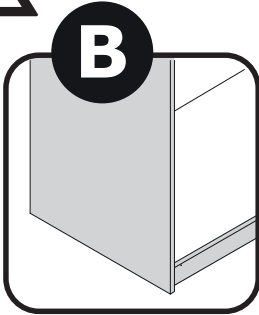
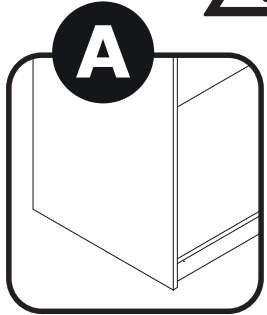
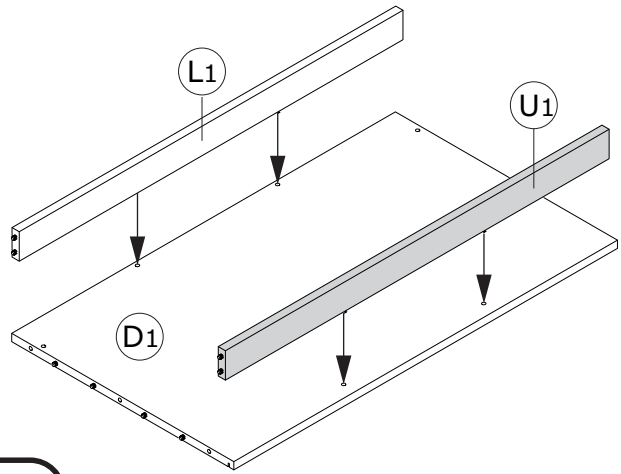
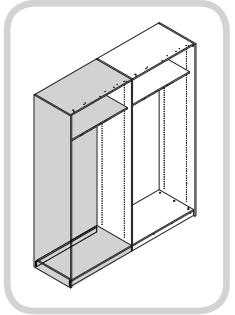
8

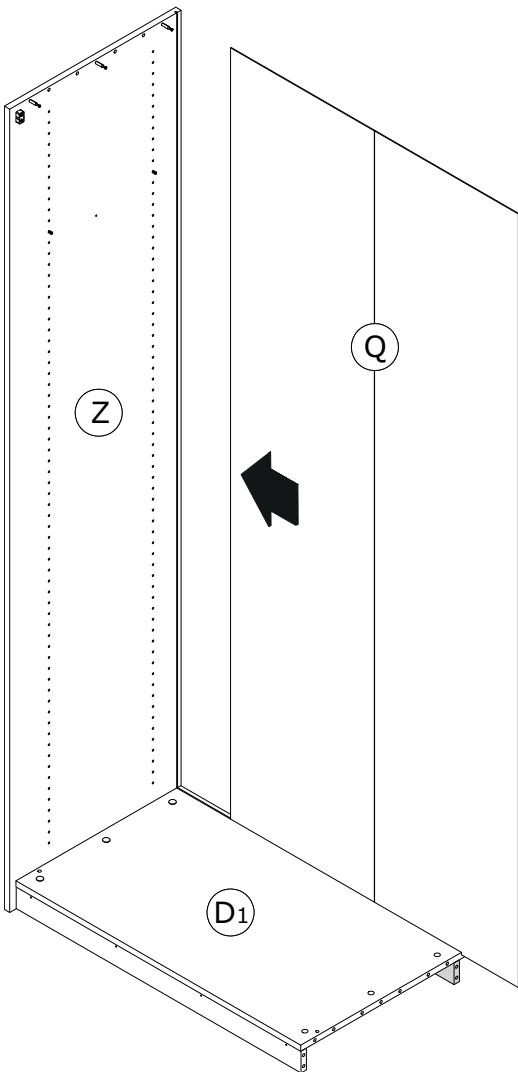
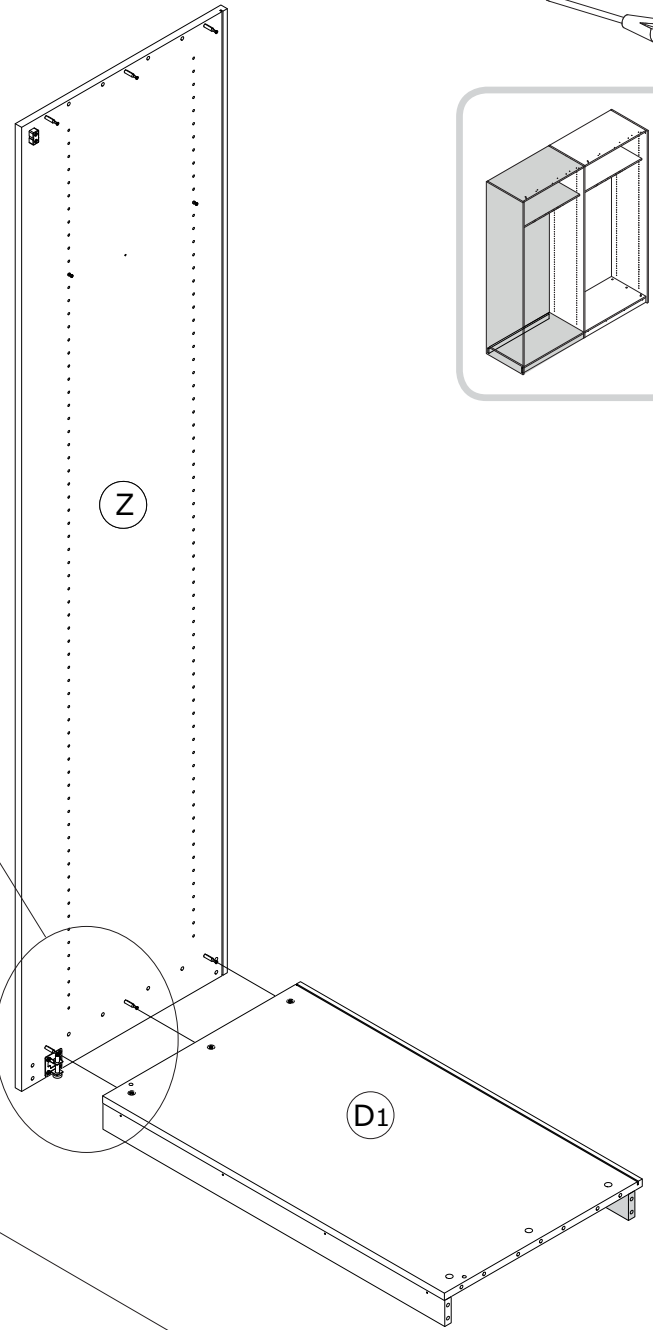
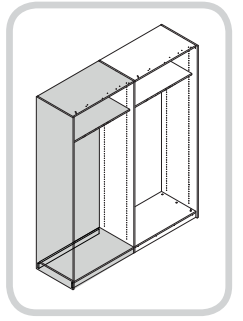
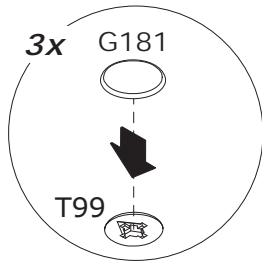
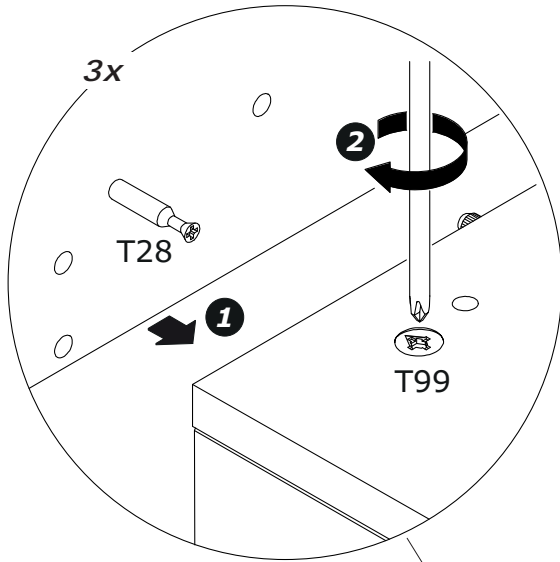
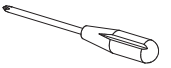


2x

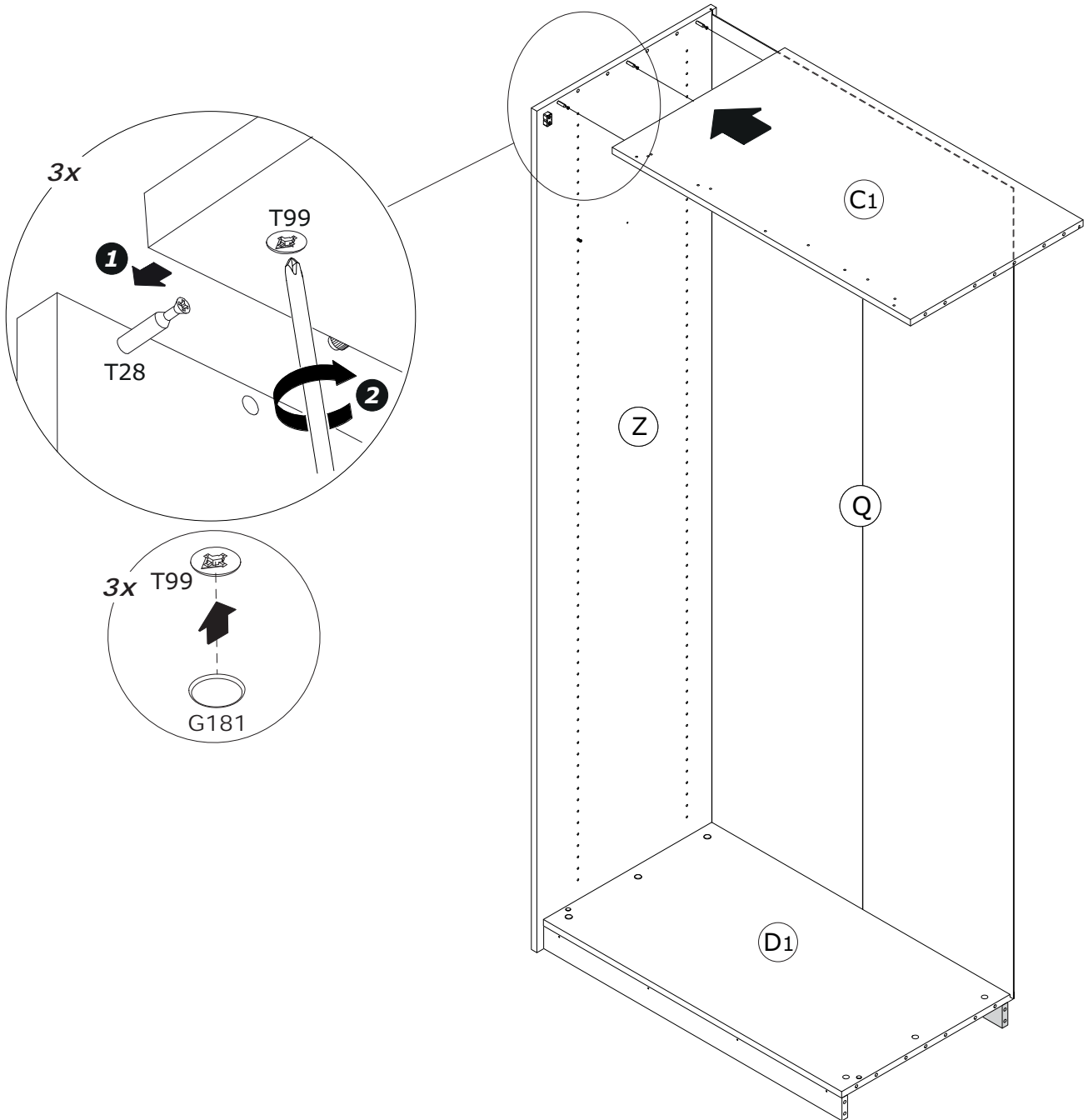
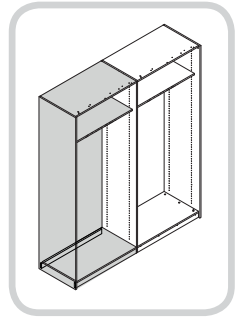
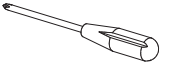


9

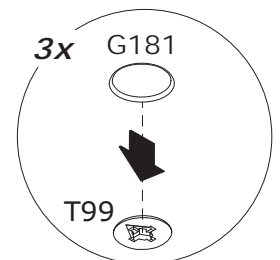
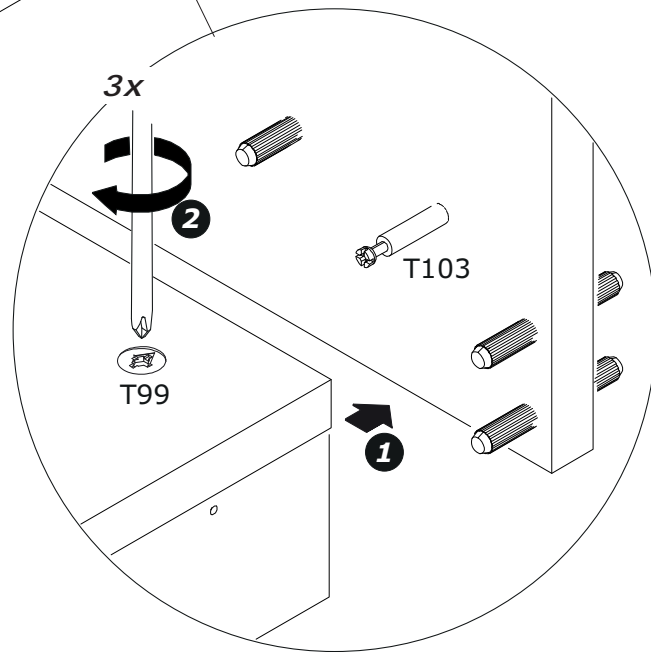
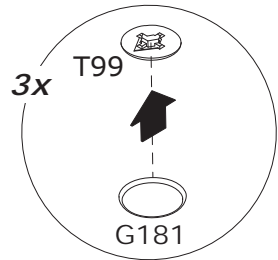
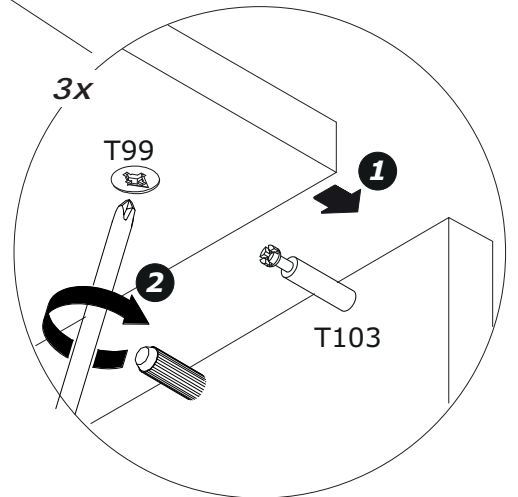
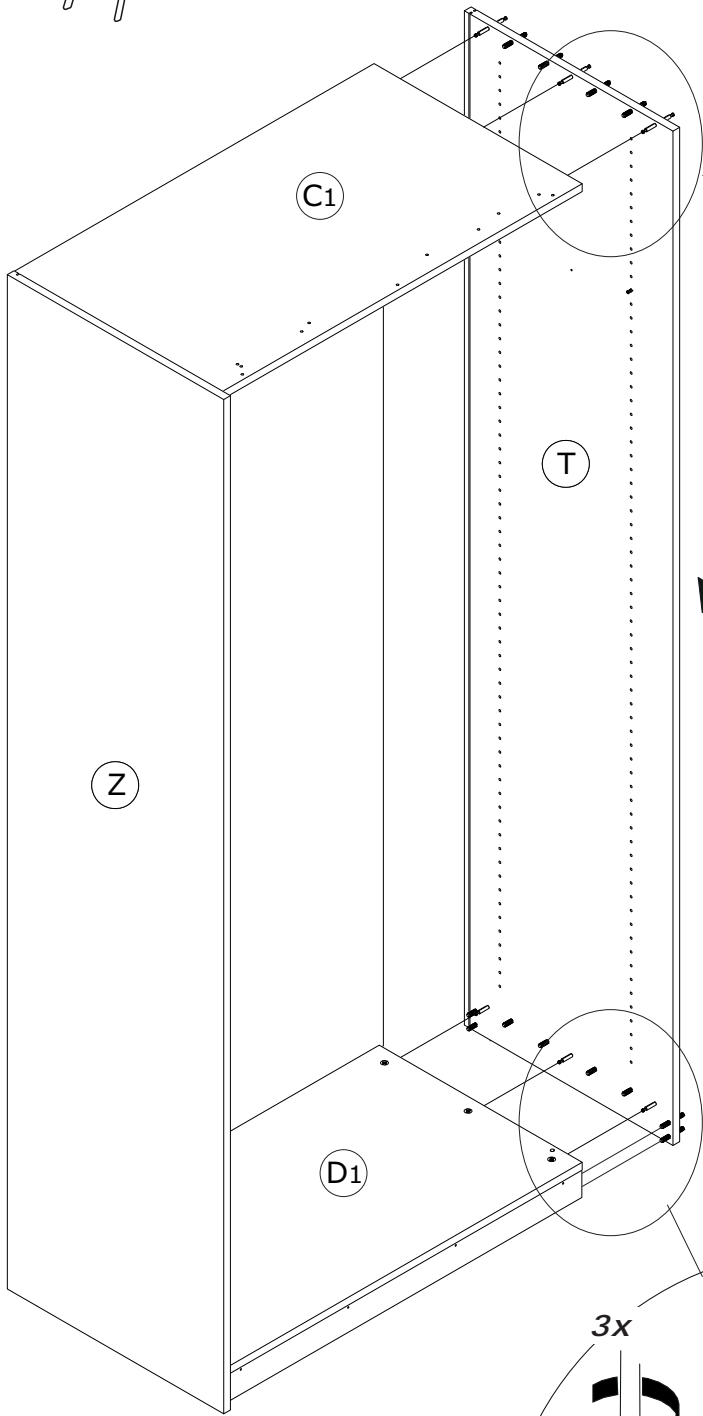
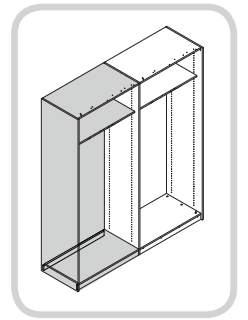
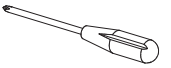




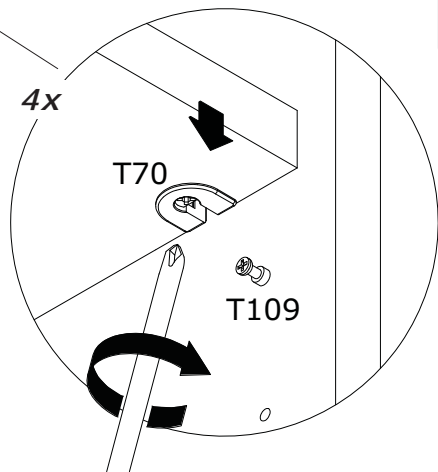
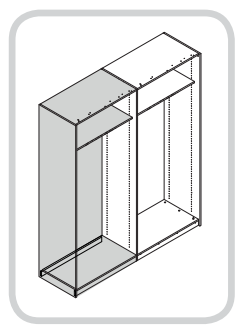
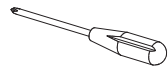
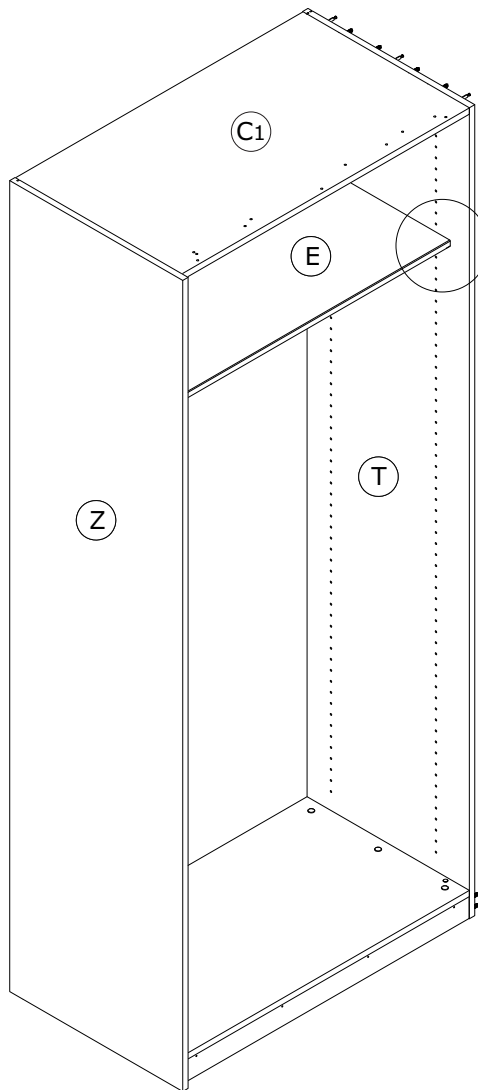
11



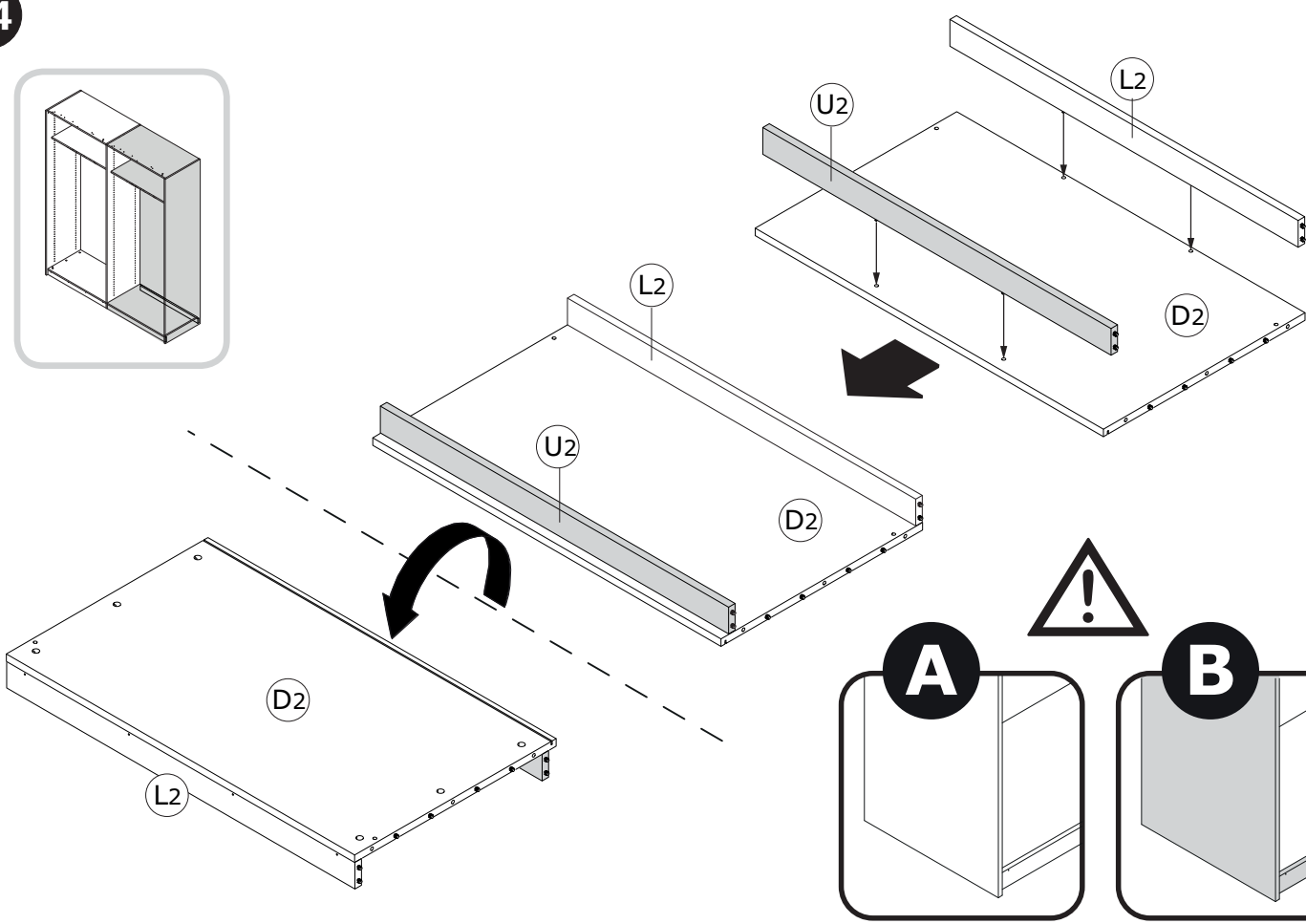
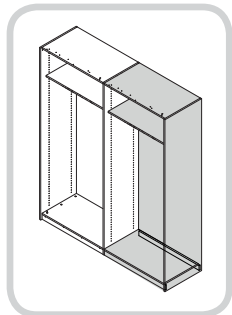
12

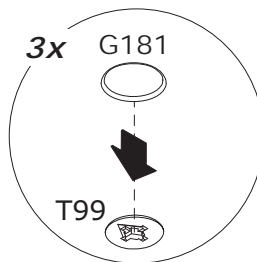
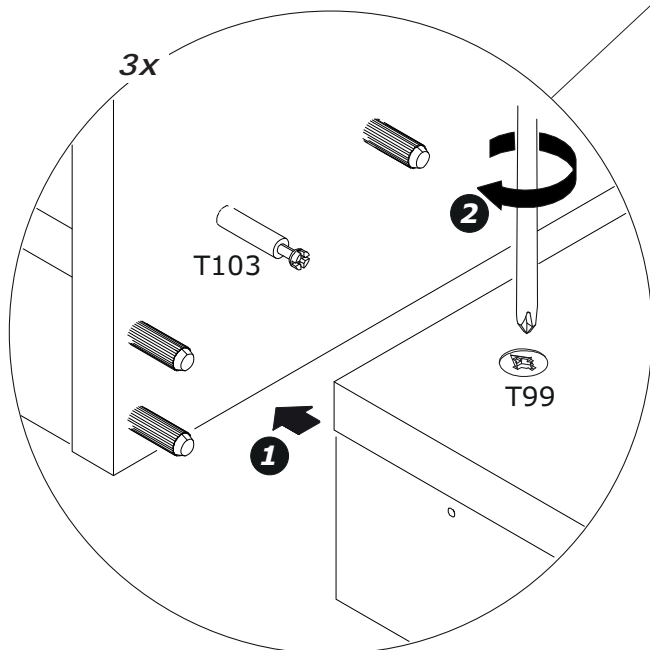
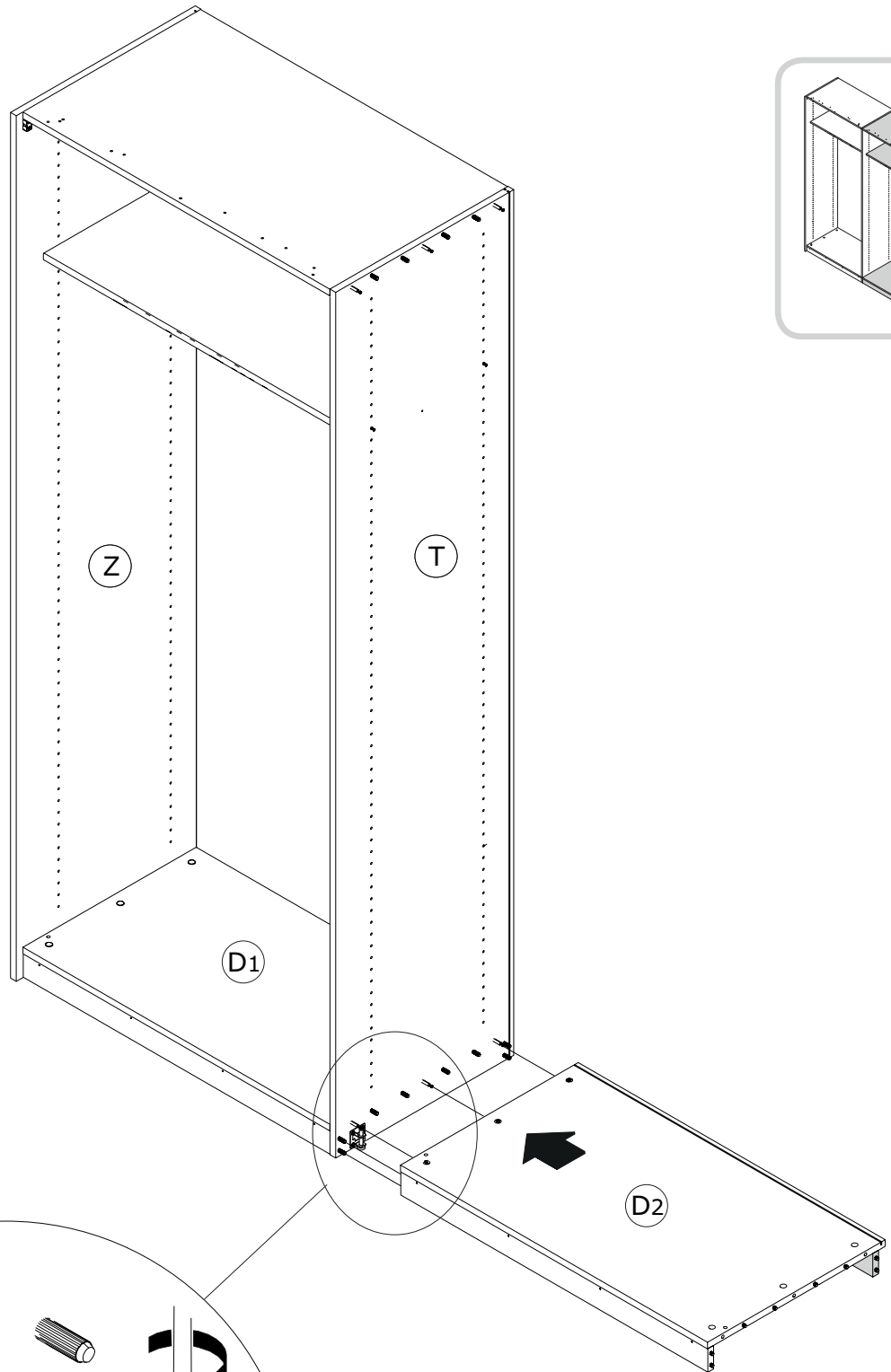
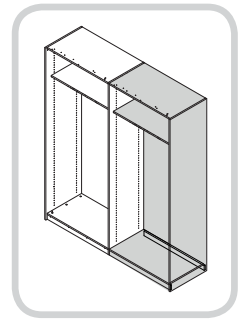
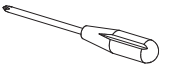


13

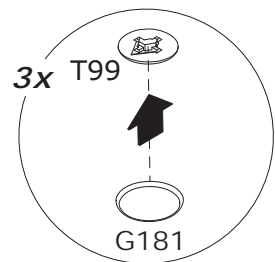
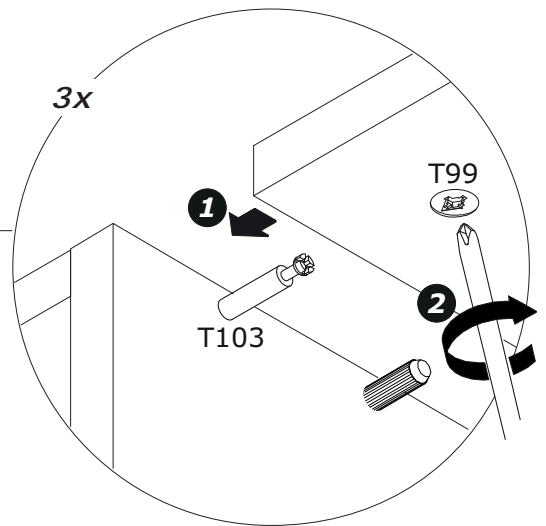
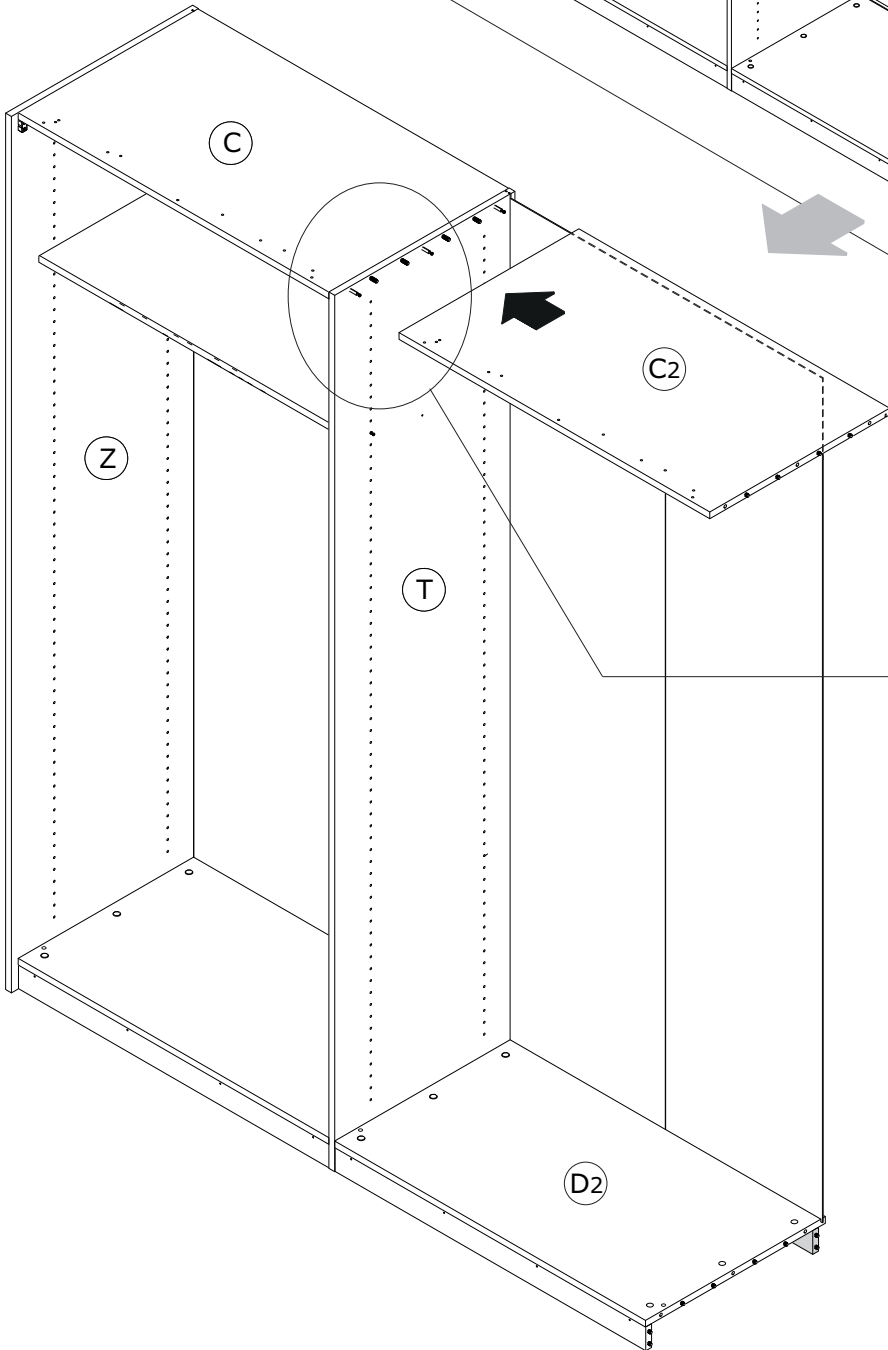
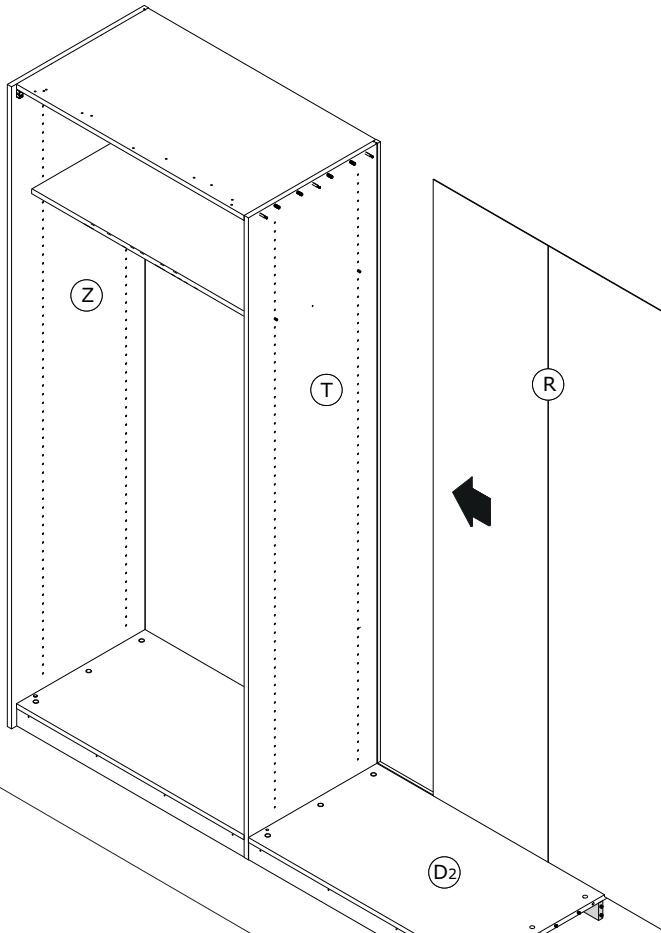
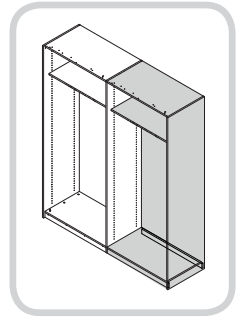
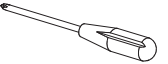


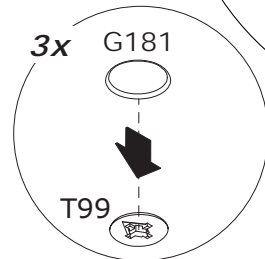
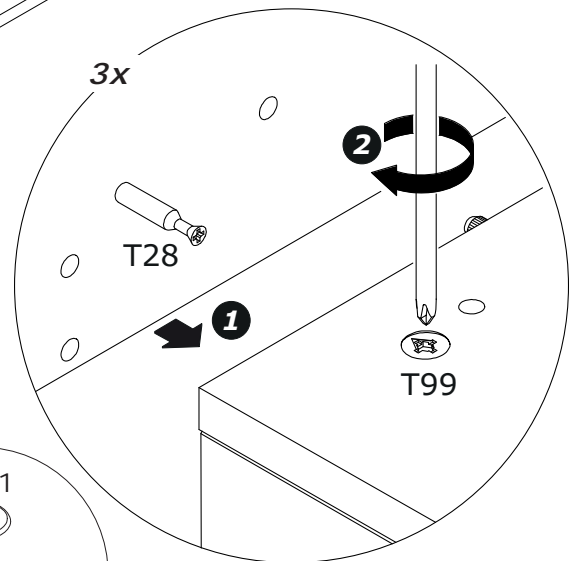
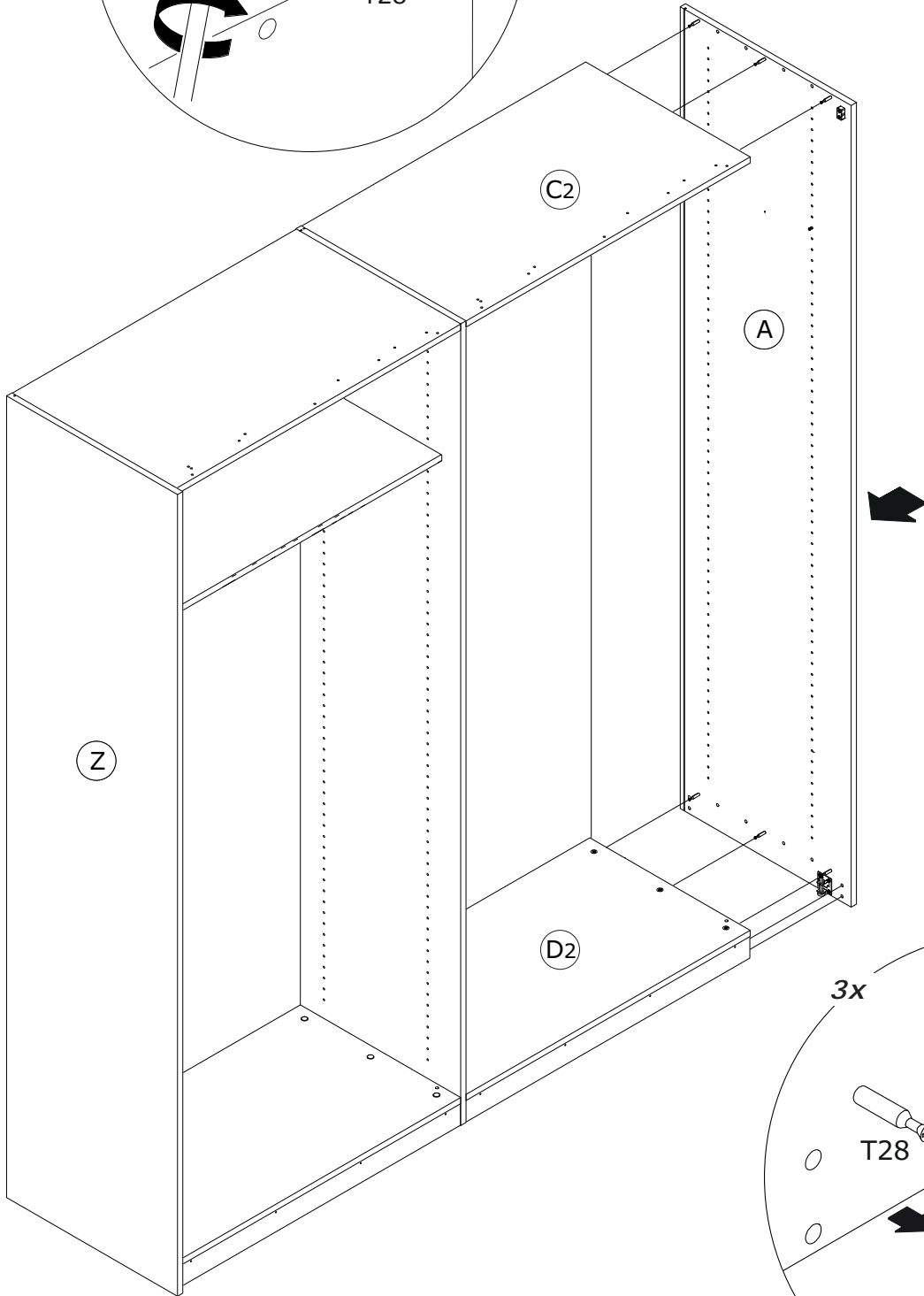
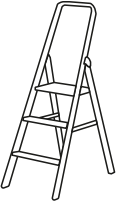
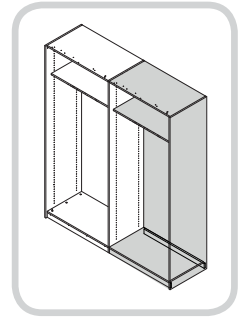
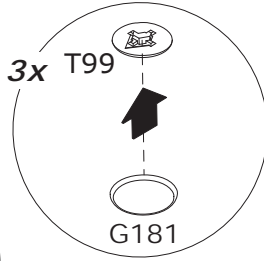
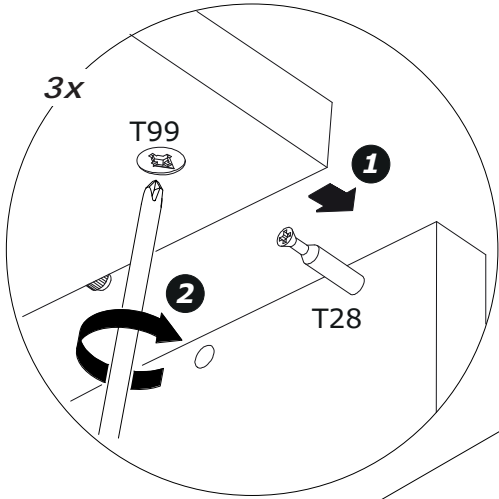
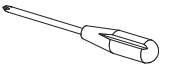
14

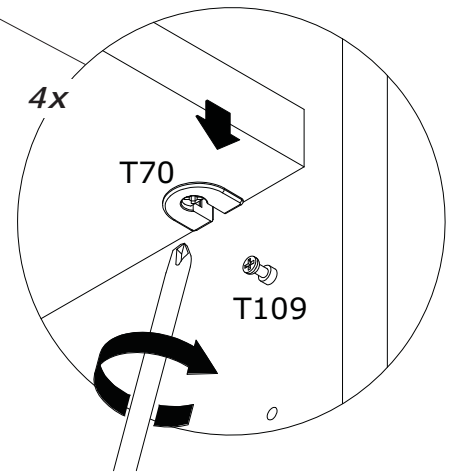
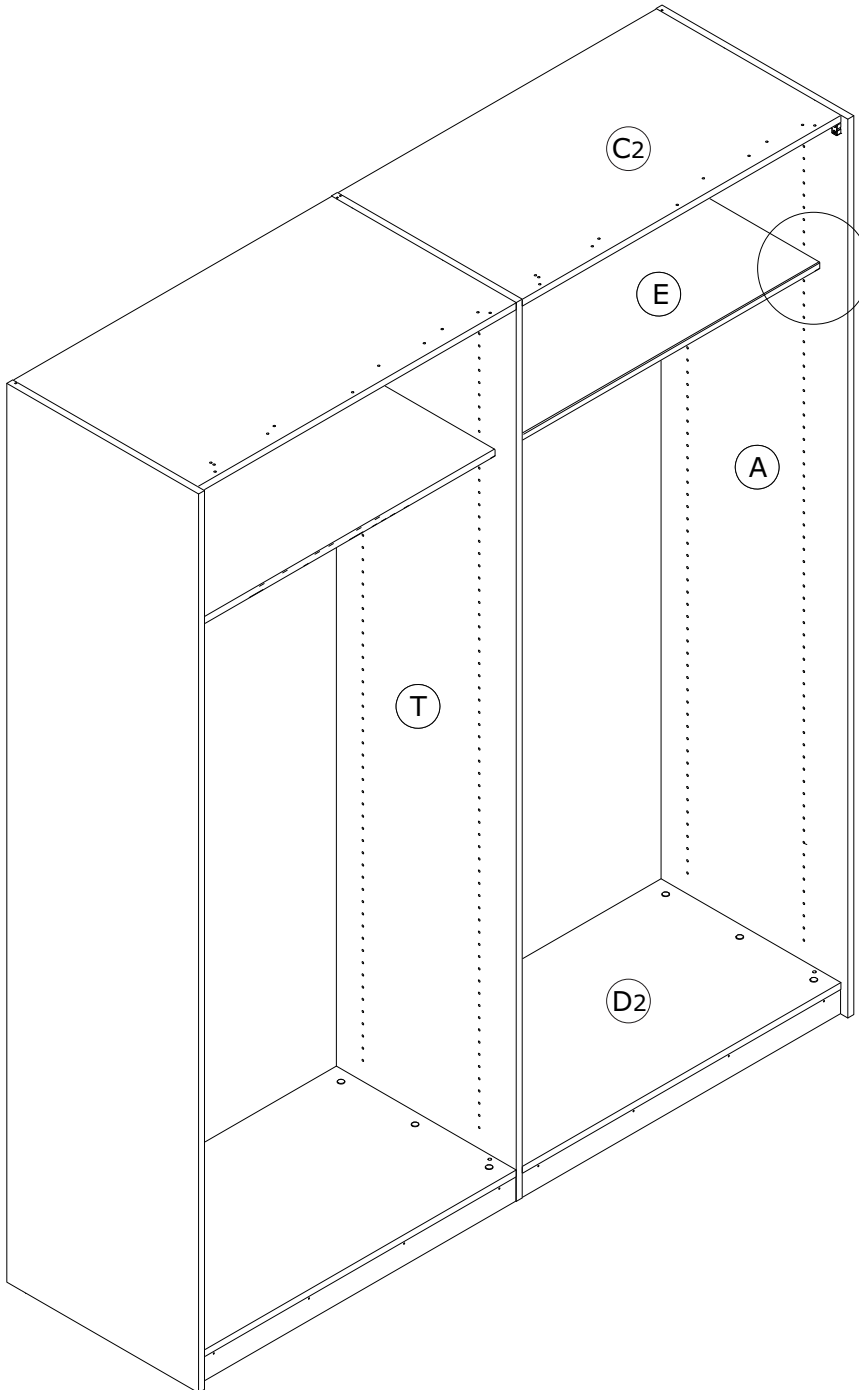
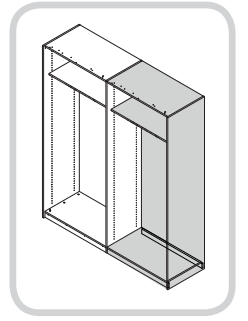
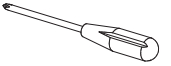


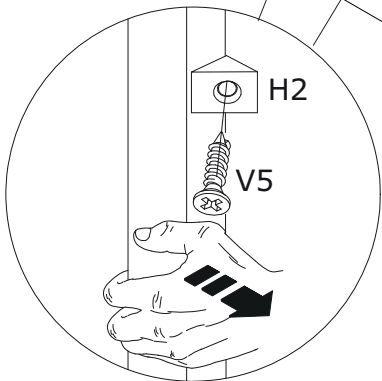
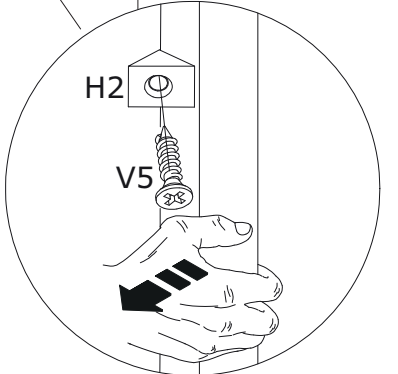
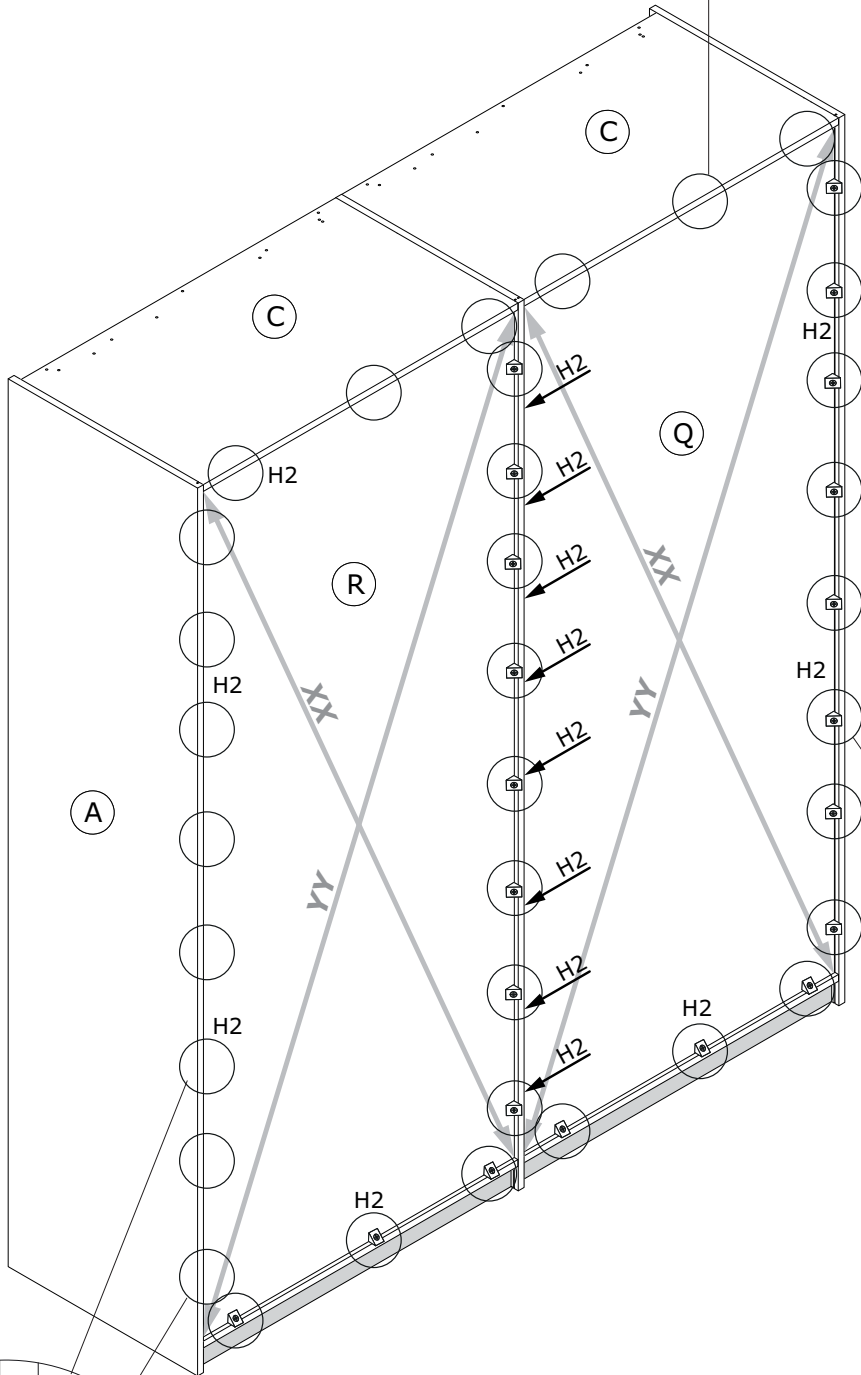
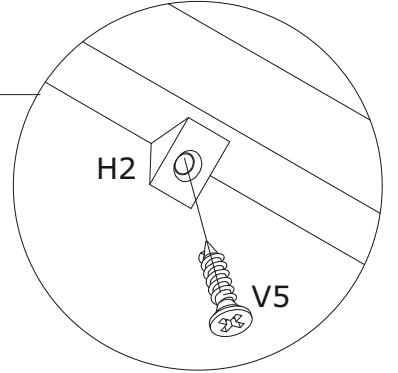
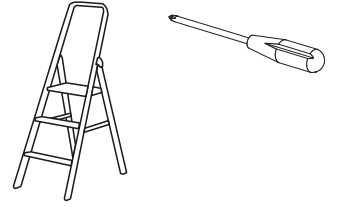
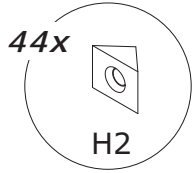
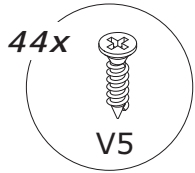


16






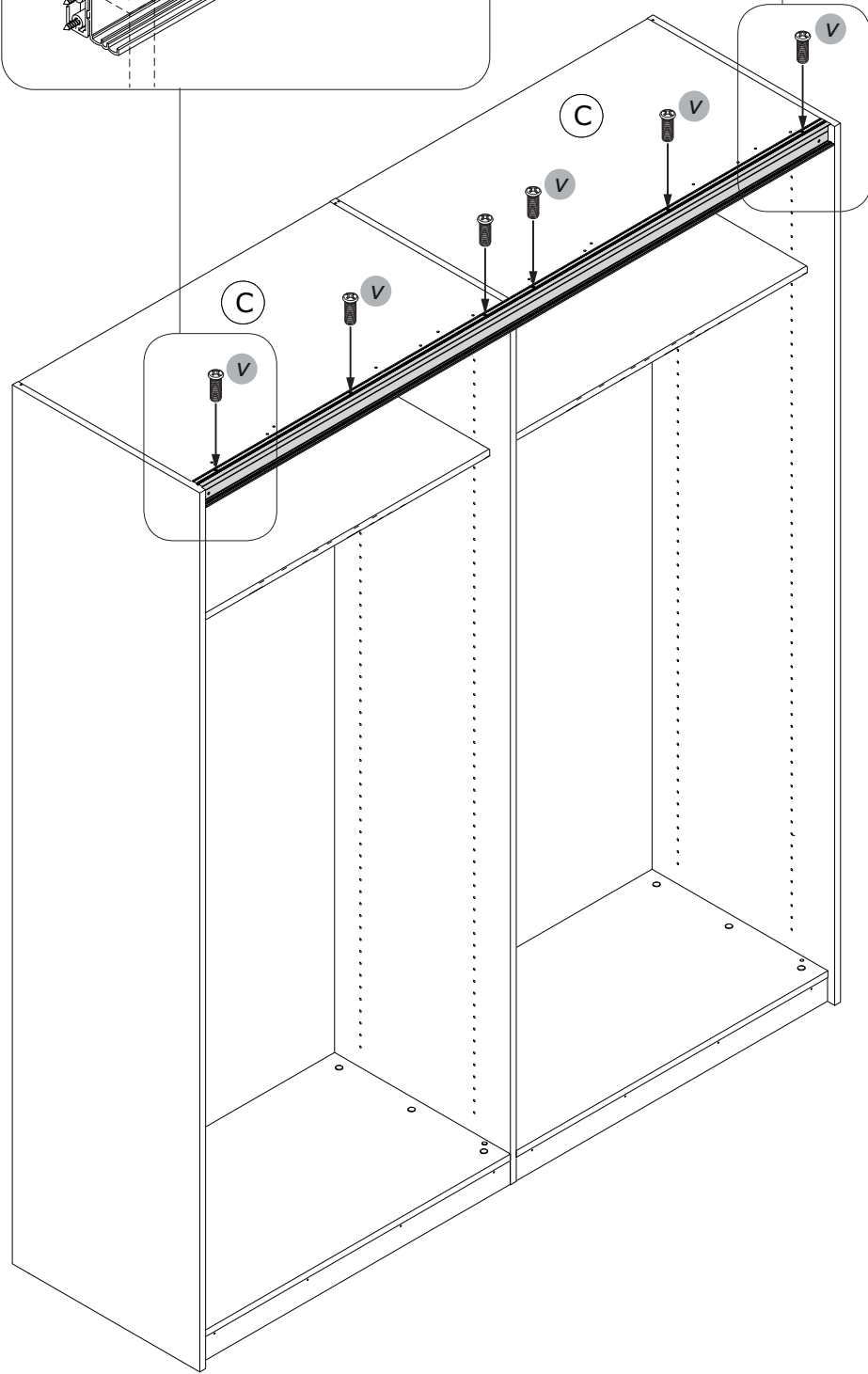
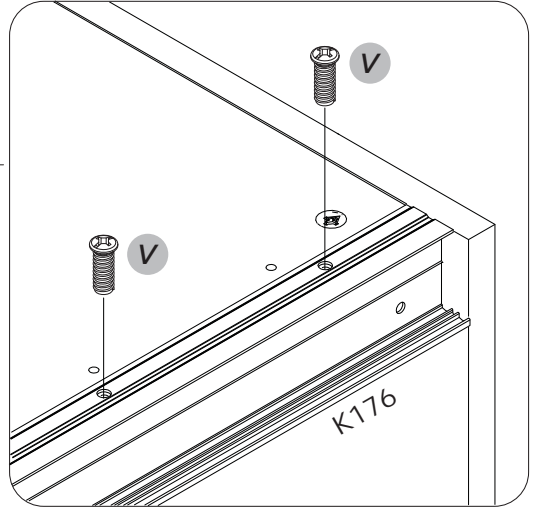
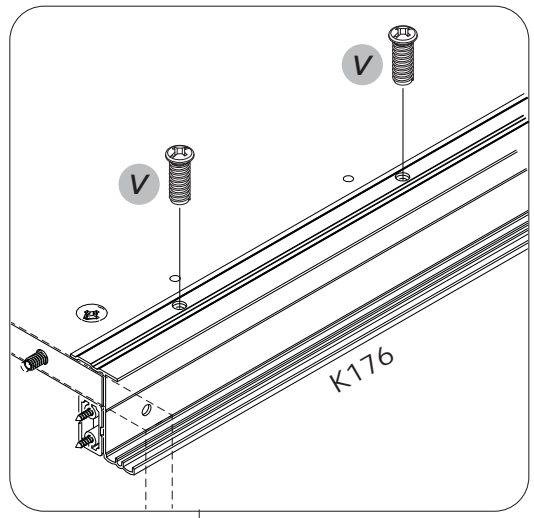
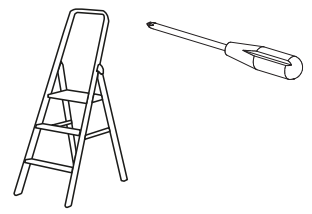




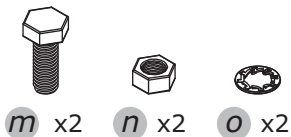
$XX = YY = 90^\circ$

20

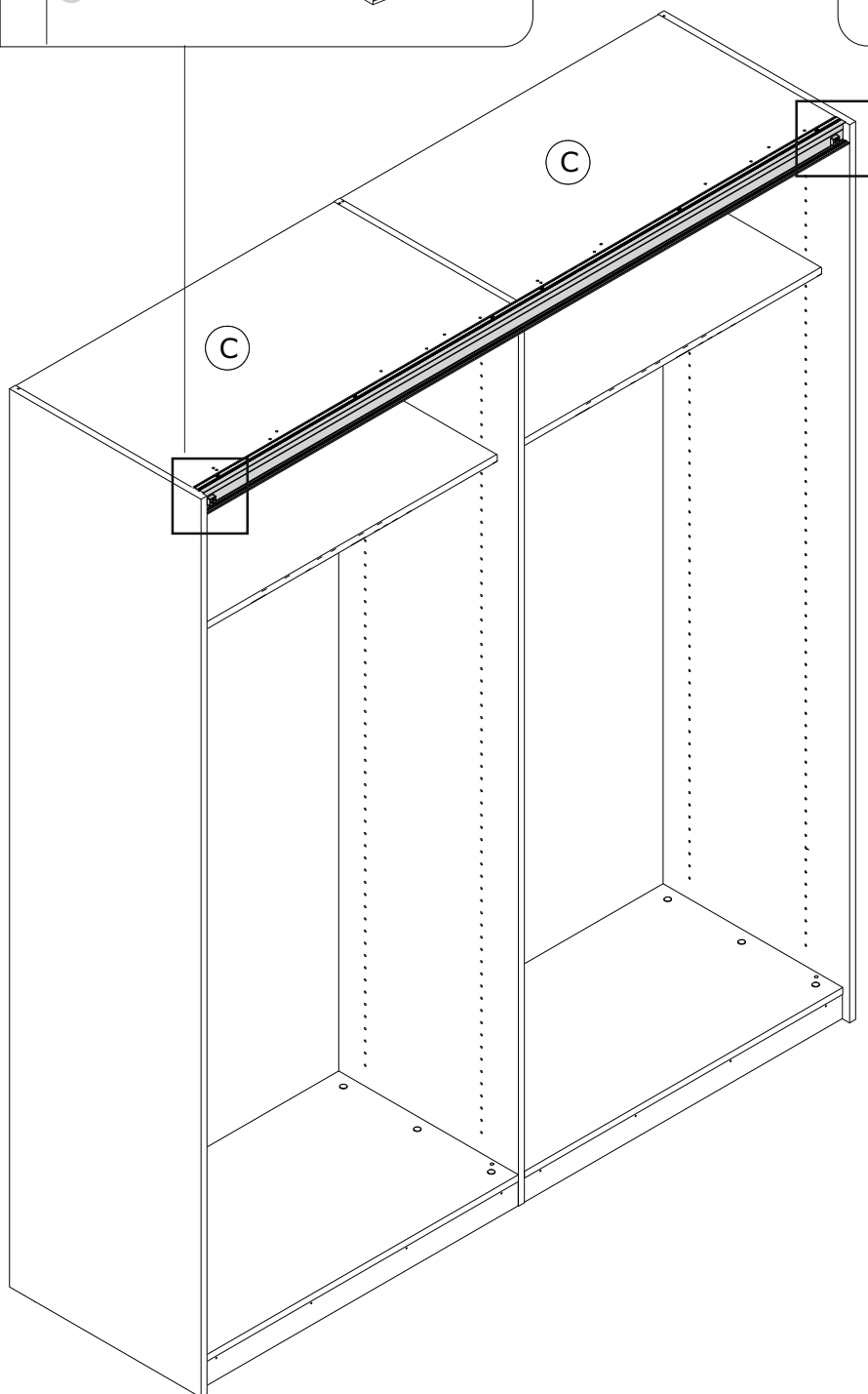
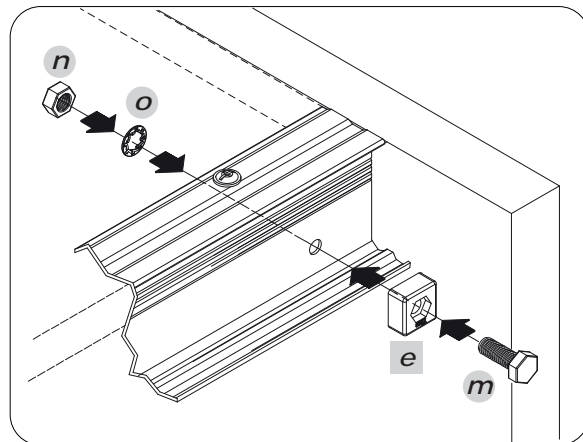
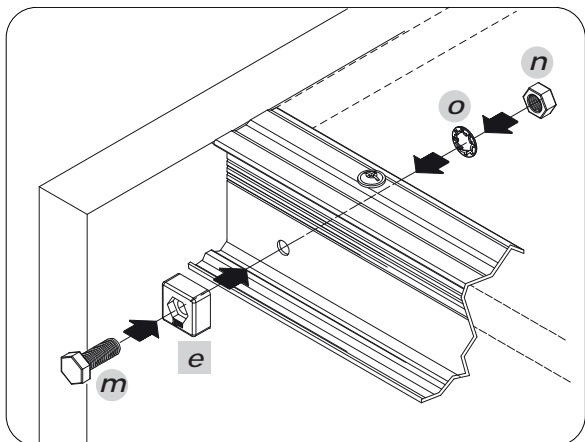
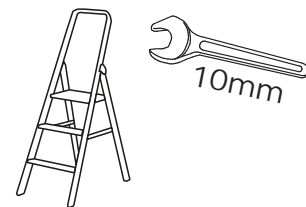
CF0185 
V x6

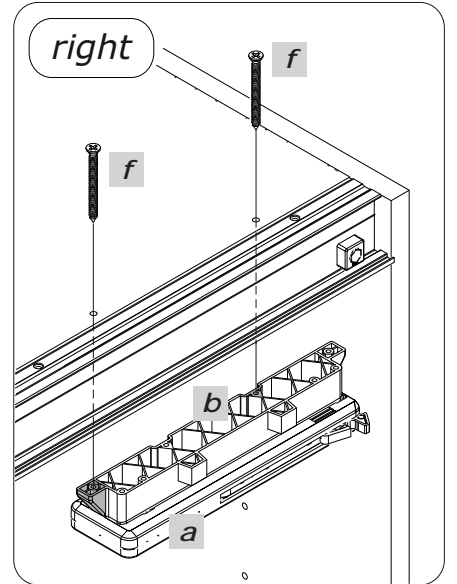
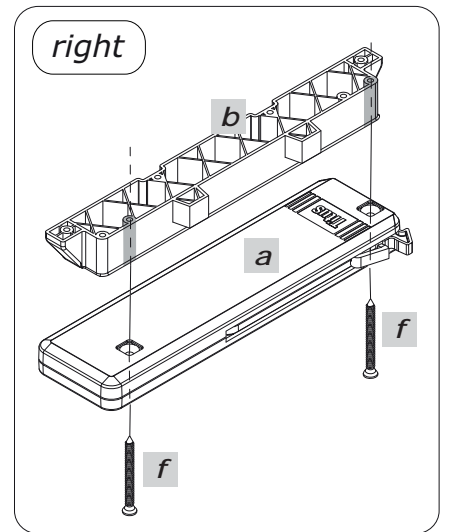
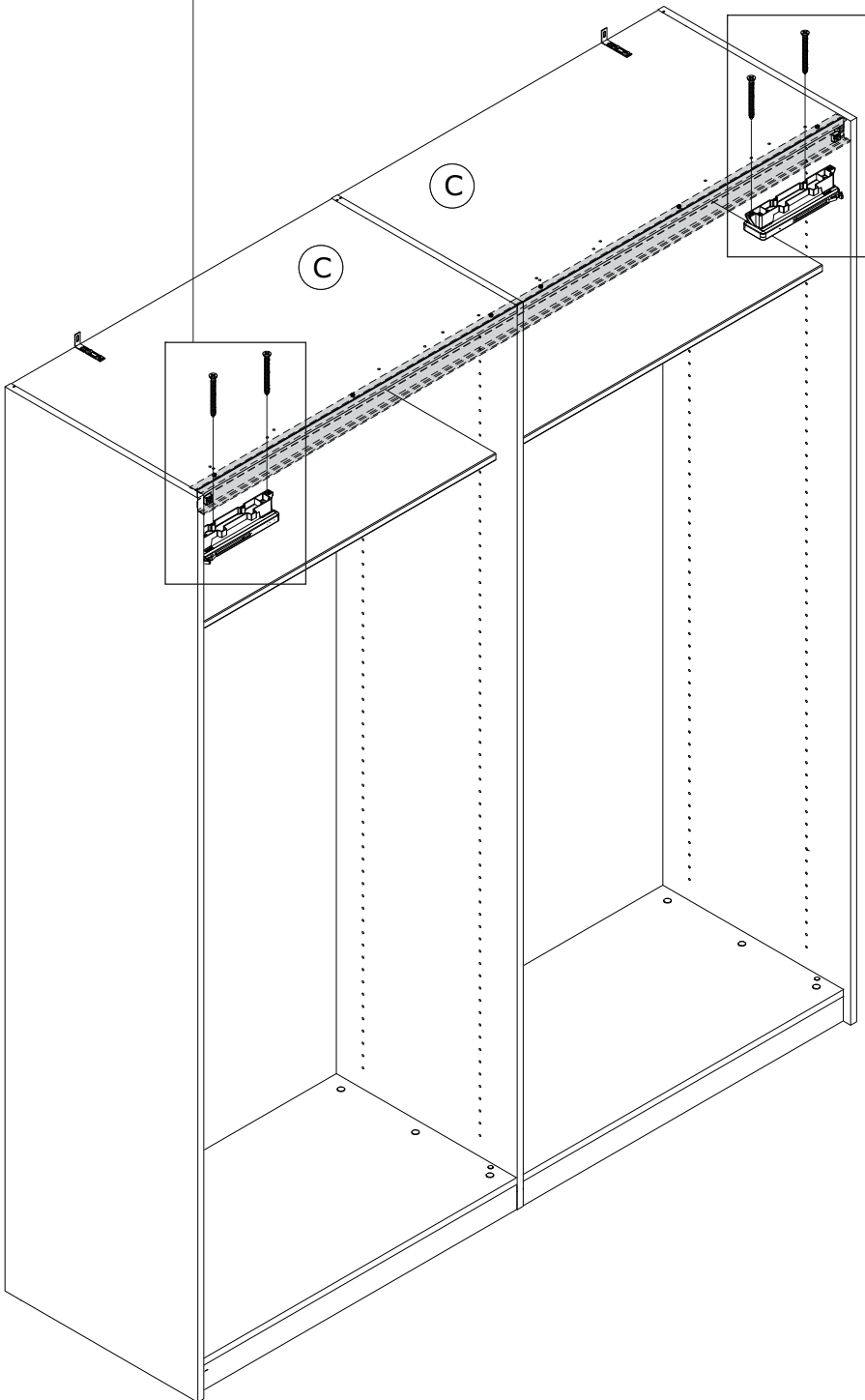
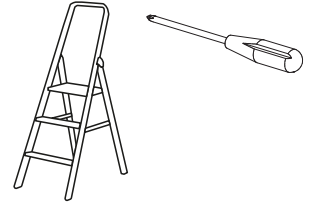
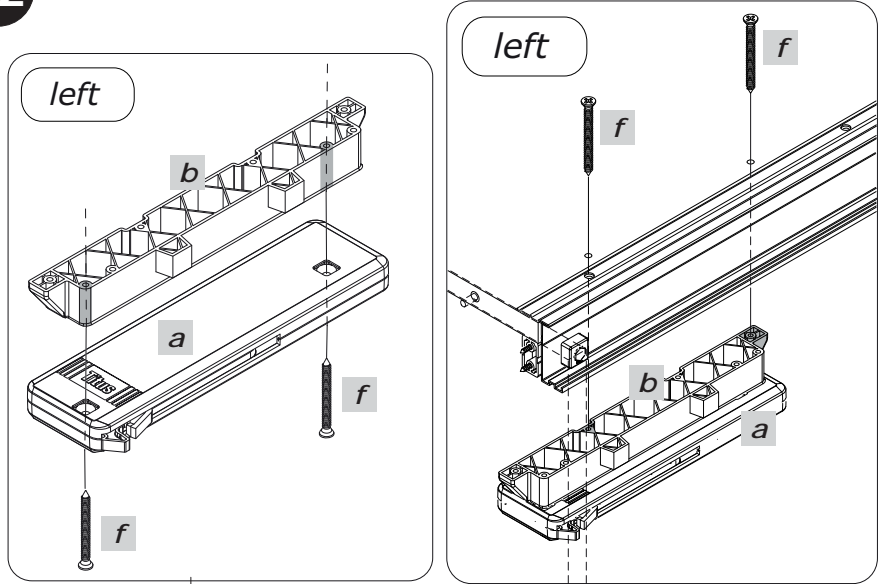


CF0185



CF3534





24

