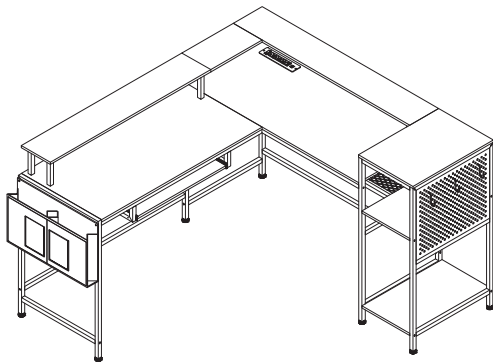


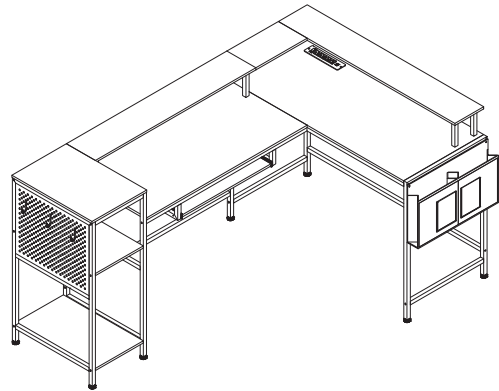
# Computer Desk

## User Manual

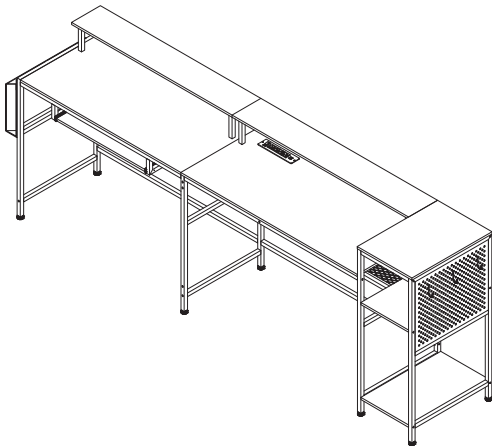
Installation Option I



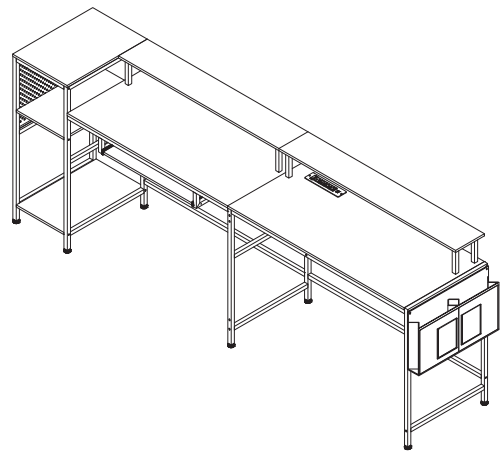
Installation Option II



Installation Option III



Installation Option IV



Installation takes  x 2~4hour

 Please read this instruction manual carefully before using the product

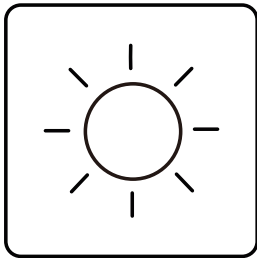
# Package Contents

Plates and  
iron components

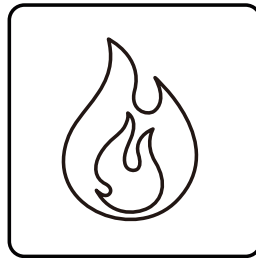
Assembly tool kit

Instruction manual

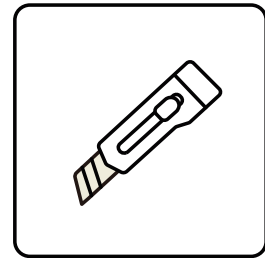
## ⚠️ Precautions



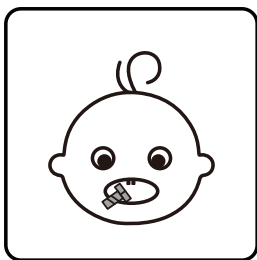
1. Avoid extended periods of direct sunlight exposure.



2. Stay away from fire.



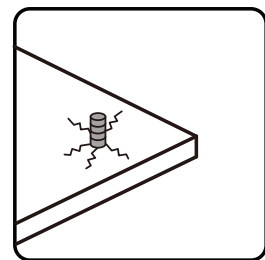
3. Keep away from sharp objects.



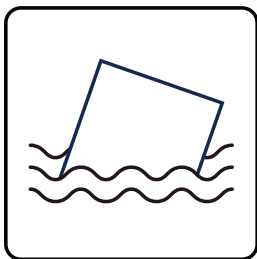
4. Keep infants and children away from assembly parts to avoid choking and suffocation.



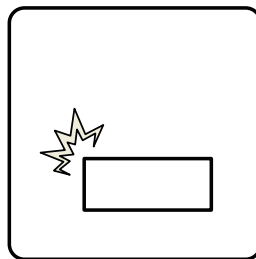
5. Keep away from corrosive substances.



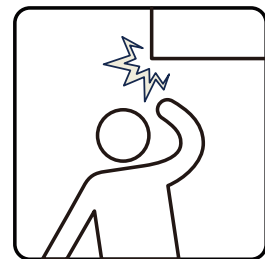
6. Pay attention to avoid over-tightening fasteners, as they may cause cracking within the board.



7. Prevent objects from being damaged by immersion in water.



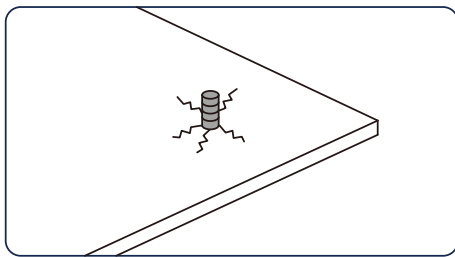
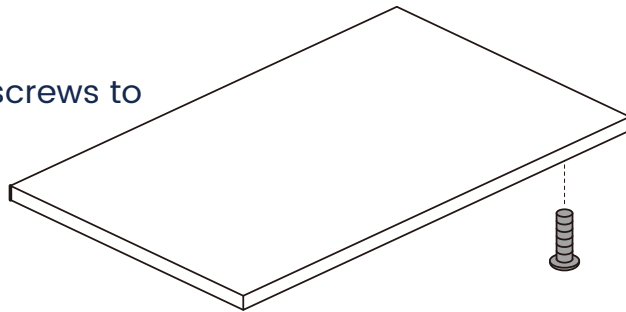
8. Prevent object collision and damage.



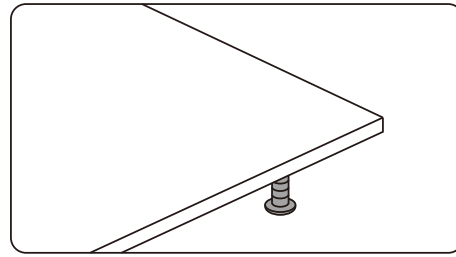
9. Be careful to avoid collisions.

## ⚠ Installation of Cams and Pins

Be sure to use the proper screws to avoid damaging the parts



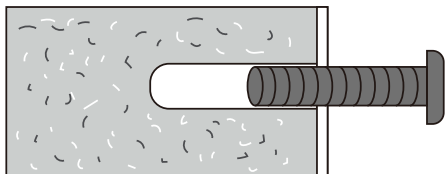
Wrong screws can cause the plank to crack



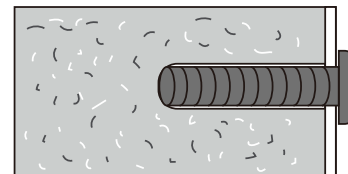
The right screw is the right size

## ⚠ Matters needing attention

1. When installing the screws in the installation step, the screws do not need to be tightened.

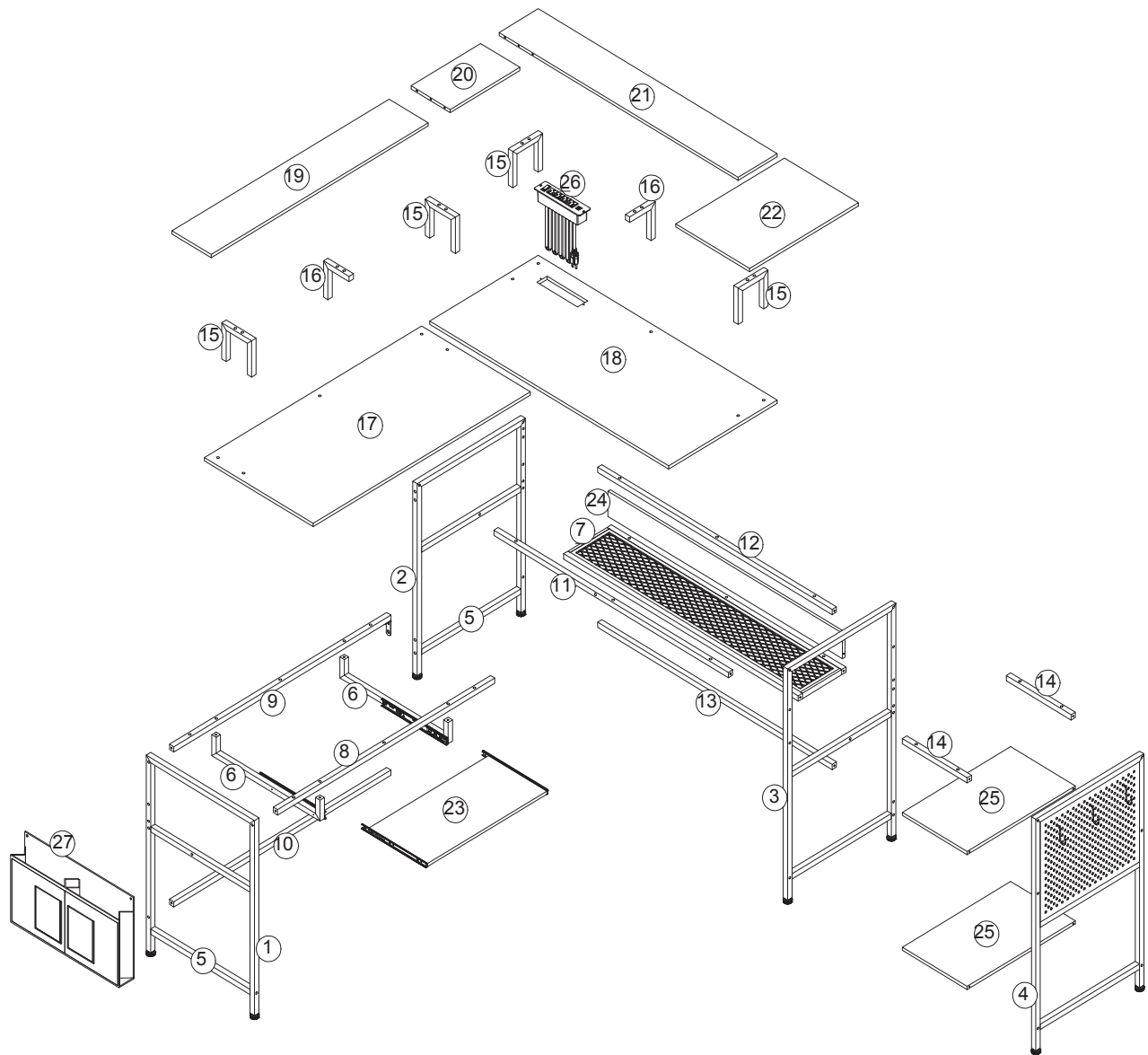


2. After this installation step is confirmed and the holes are aligned, then tighten all the screws.

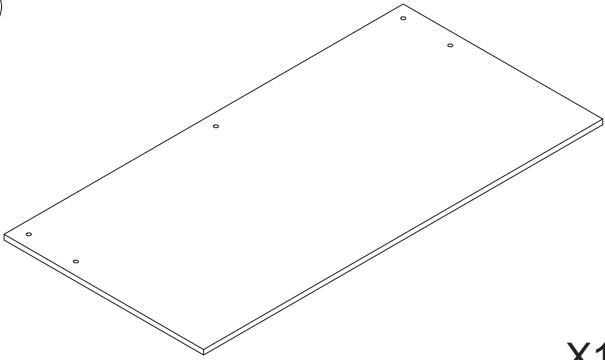
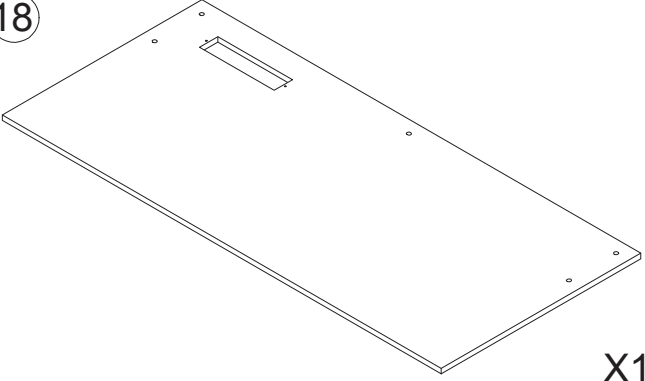
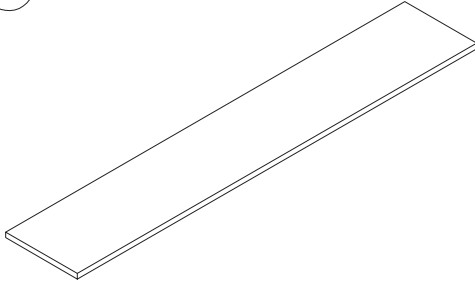
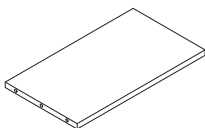
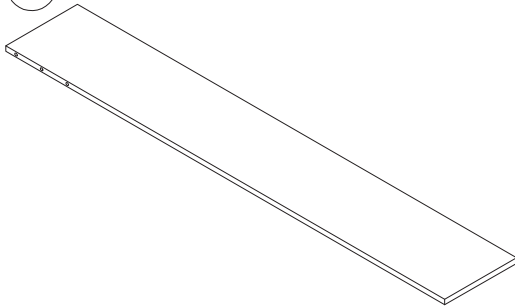
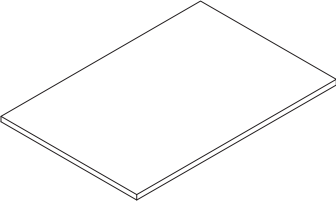
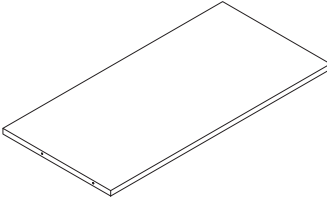
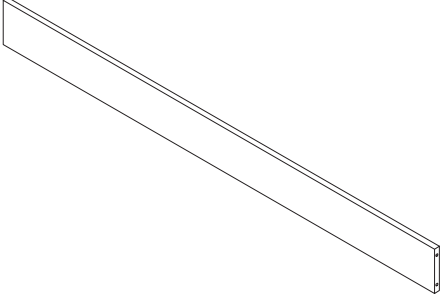
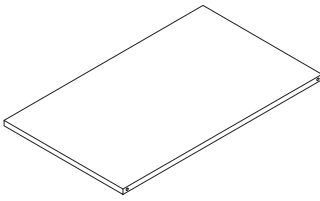
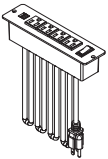
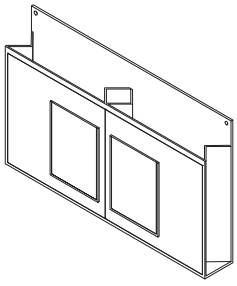



3. If the screws are tightened during the installation process, it will cause problems such as misalignment of the screw holes and misalignment of the board in subsequent installations

# Disassembly Diagram

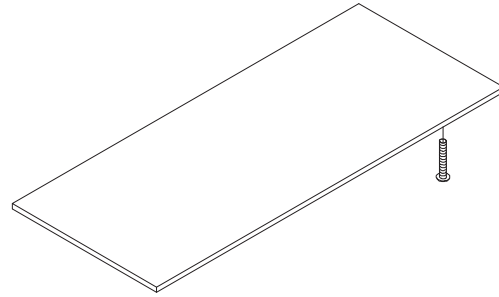


# ASSEMBLY INSTRUCTION

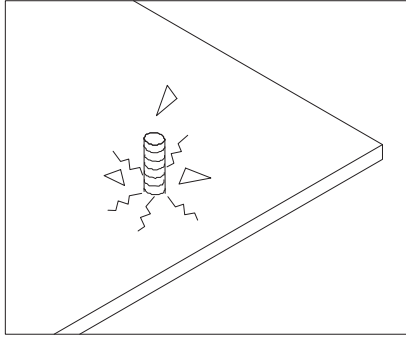
<p>17</p>  <p>X1</p>	<p>18</p>  <p>X1</p>	
<p>19</p>  <p>X1</p>	<p>20</p>  <p>X1</p>	<p>21</p>  <p>X1</p>
<p>22</p>  <p>X1</p>	<p>23</p>  <p>X1</p>	<p>24</p>  <p>X1</p>
<p>25</p>  <p>X2</p>	<p>26</p>  <p>2 M X1</p>	<p>27</p>  <p>X1</p>
<p>28</p>  <p>X1</p>		

# ASSEMBLY INSTRUCTION

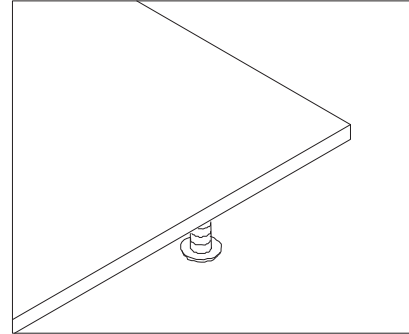
## 1. Matters needing attention



Be sure to use the proper screws to avoid damaging the parts

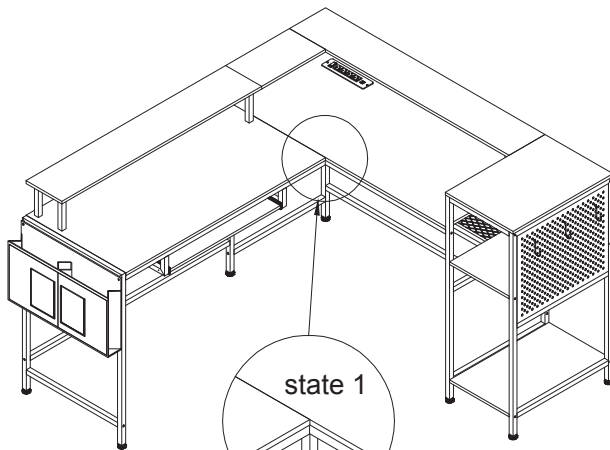


Wrong screws can cause the plank to crack

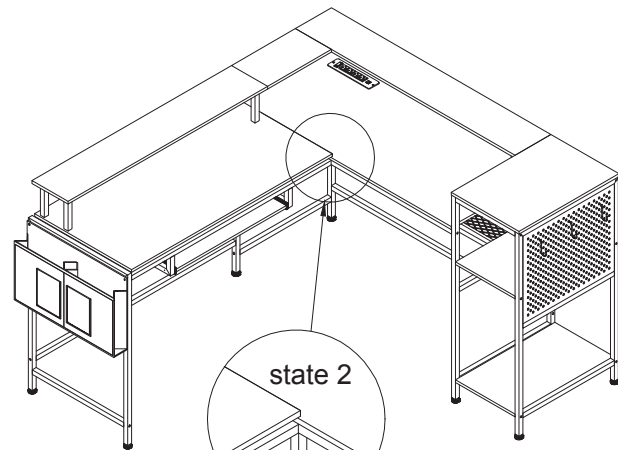


The right screw is the right size

## 2. Matters needing attention



perfect



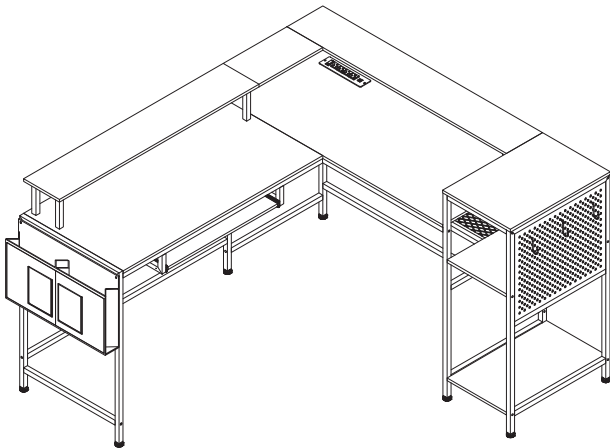
Flawed

If you encounter "state 2" during the installation process, please loosen the corresponding screws of each part in time, adjust slowly, and then slowly tighten all the screws after the adjustment is completed.

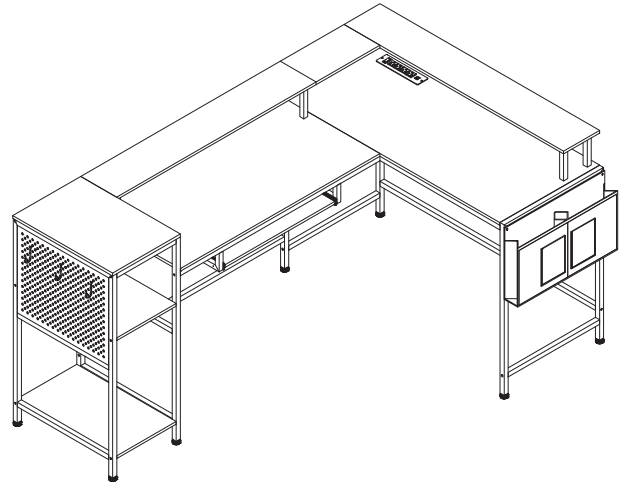
# ASSEMBLY INSTRUCTION

There are 4 ways to install this table, each with different steps.  
Please choose one type and follow its unique assembly method.

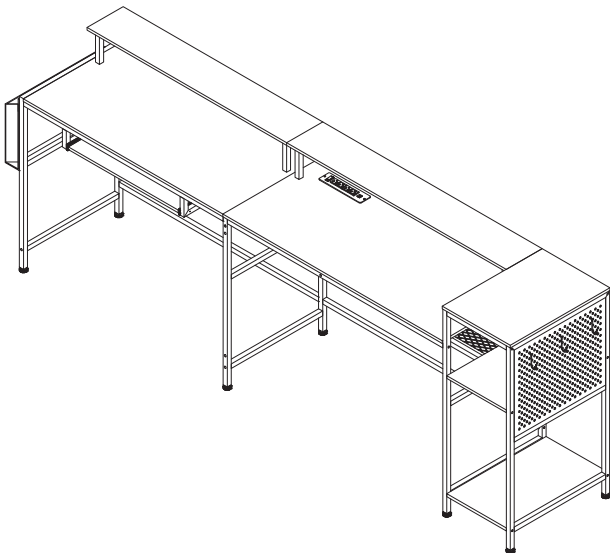
Type 1:  
Please refer to Step 6 ~ Step 17.



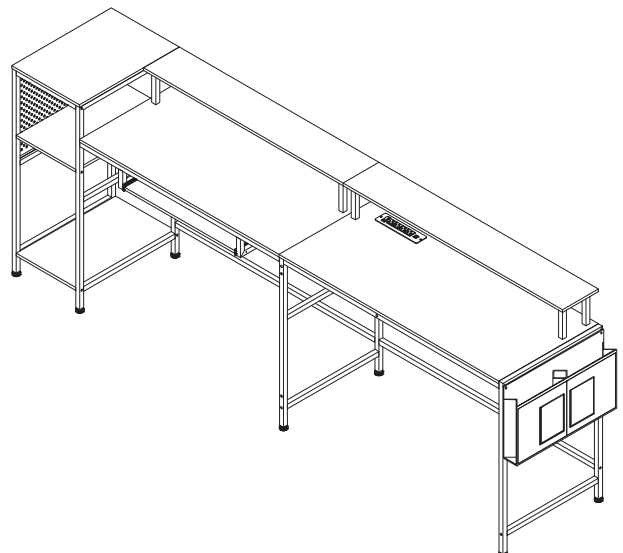
Type 2:  
Please refer to Step 18 ~ Step 29.



Type 3:  
Please refer to Step 30 ~ Step 42.

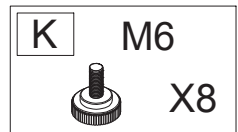
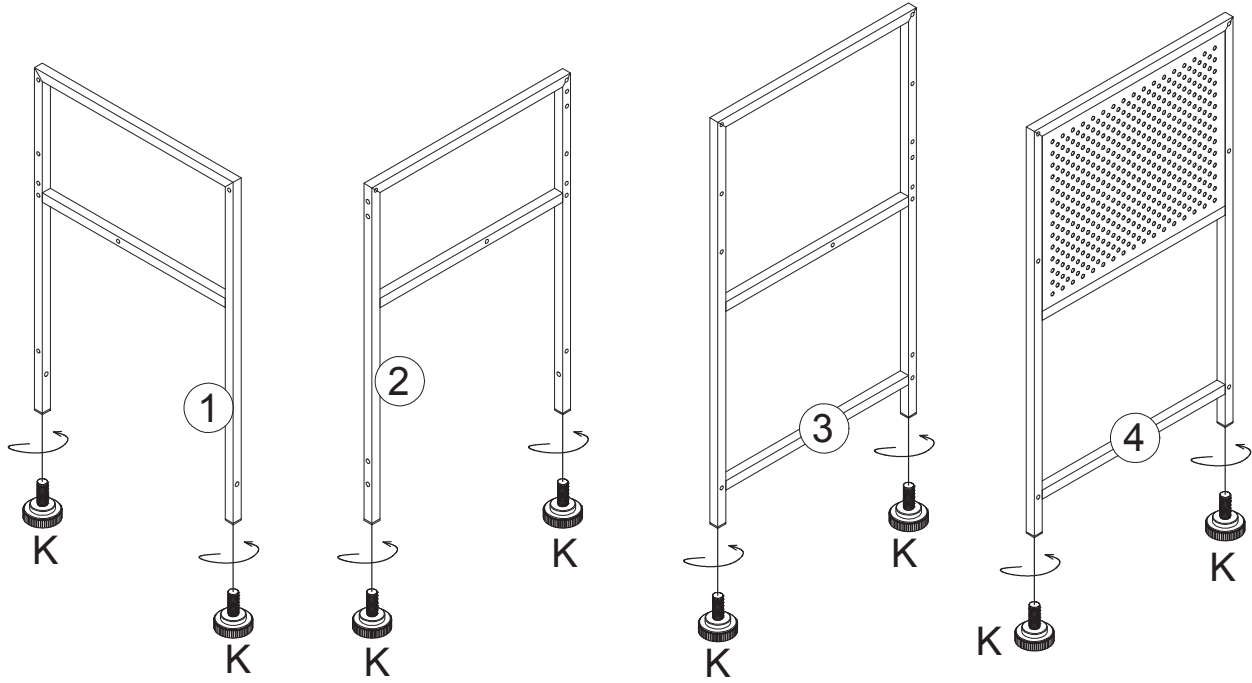


Type 4:  
Please refer to Step 43 ~ Step 55.

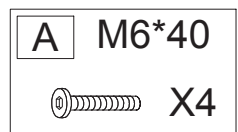
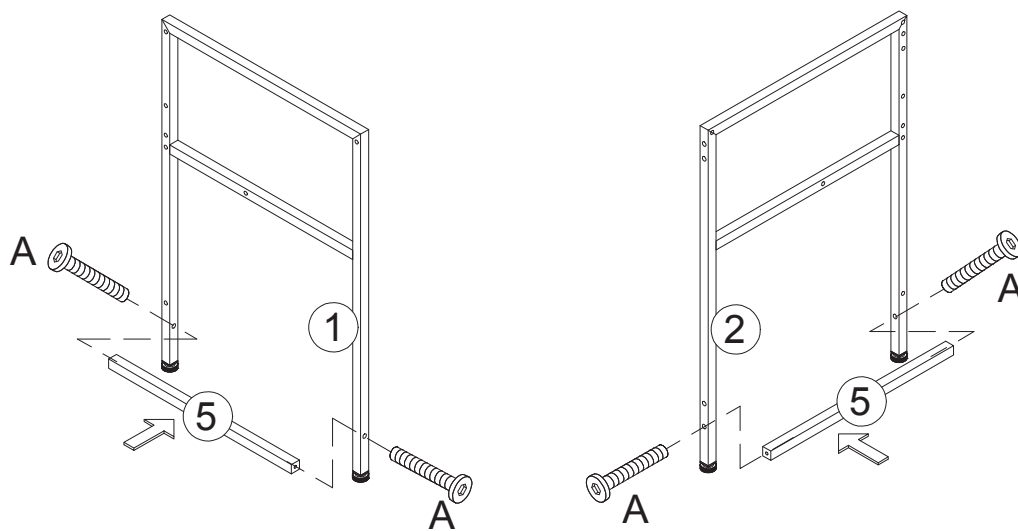


# ASSEMBLY INSTRUCTION

## STEP 1

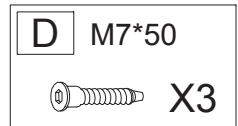
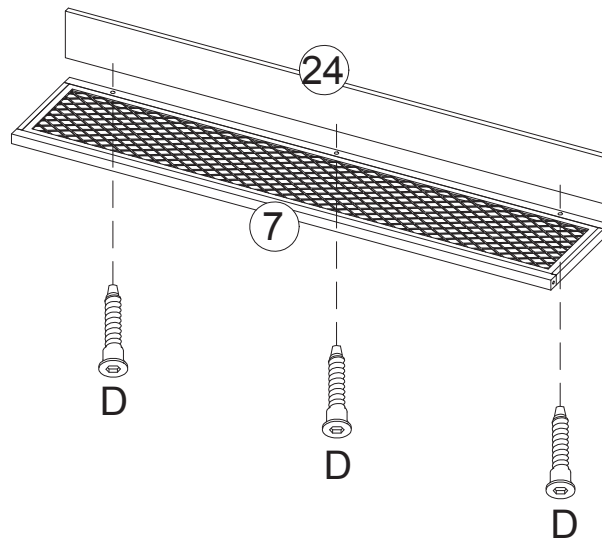


## STEP 2

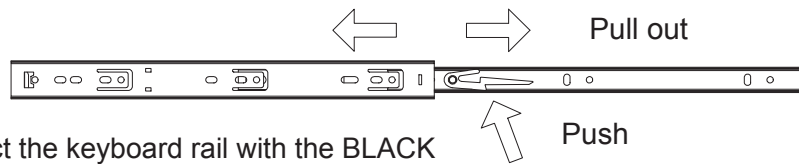


# ASSEMBLY INSTRUCTION

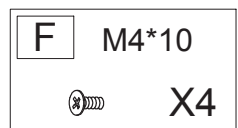
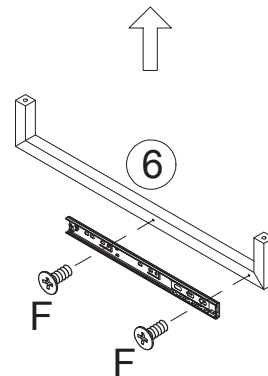
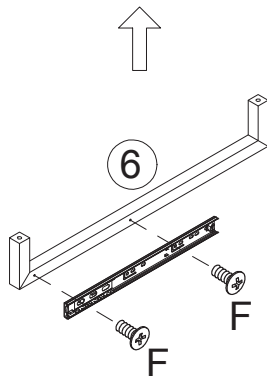
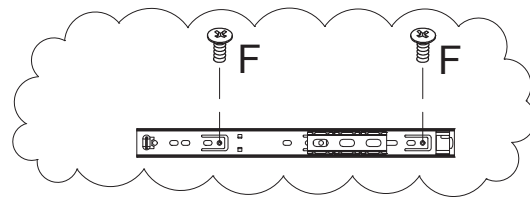
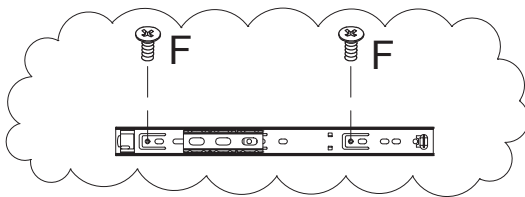
## STEP 3



## STEP 4

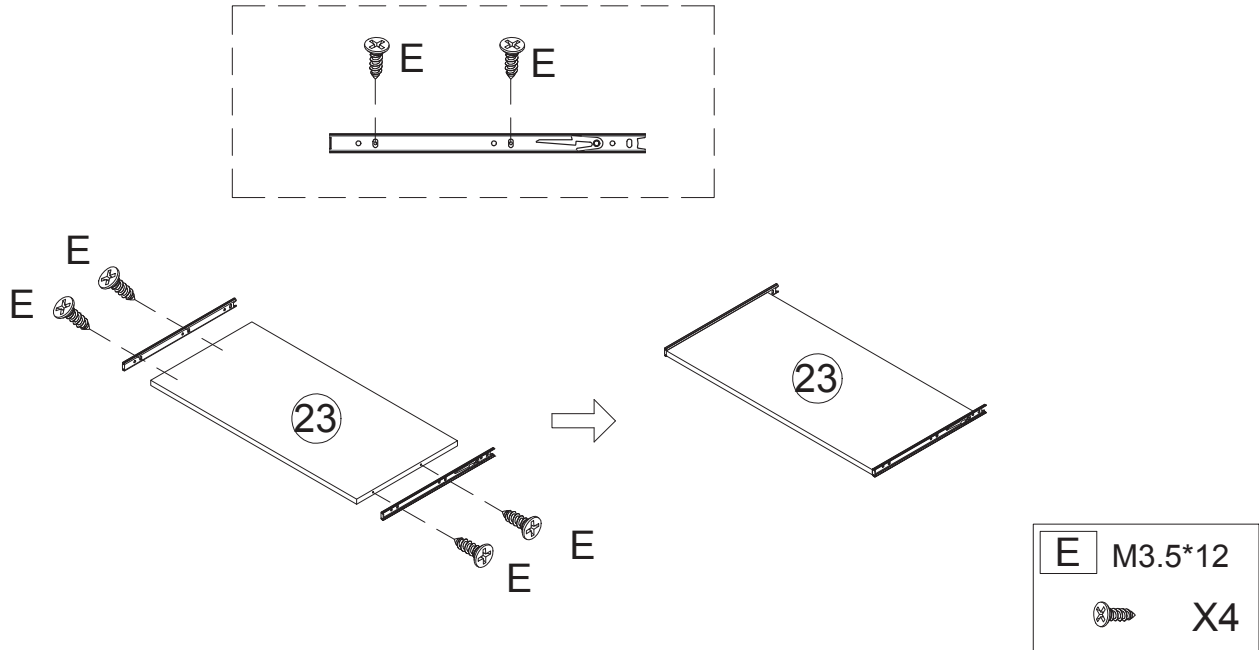


Disconnect the keyboard rail with the BLACK PLASTIC PART. It needs to be pulled down to disconnect the runners.

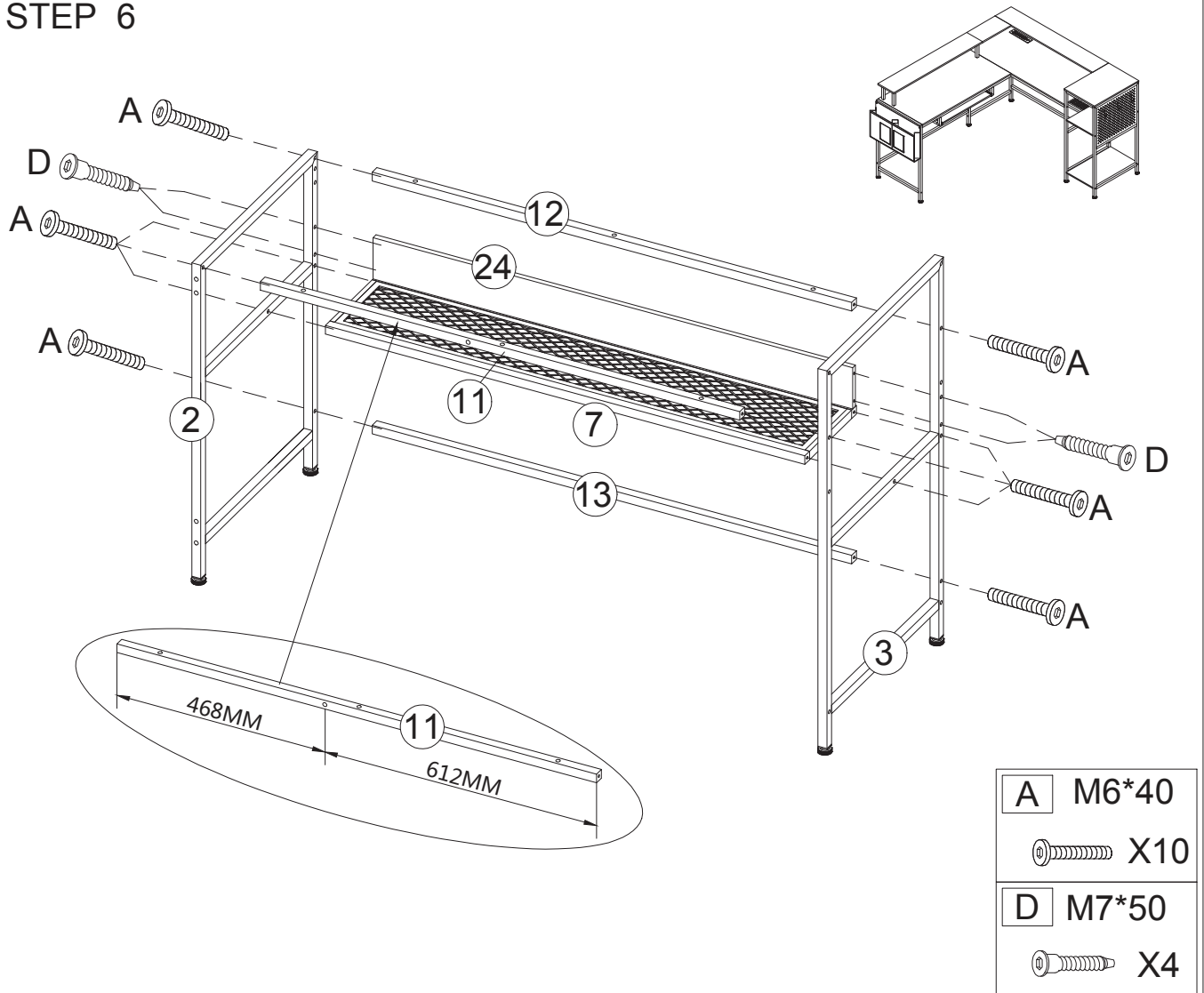


# ASSEMBLY INSTRUCTION

## STEP 5

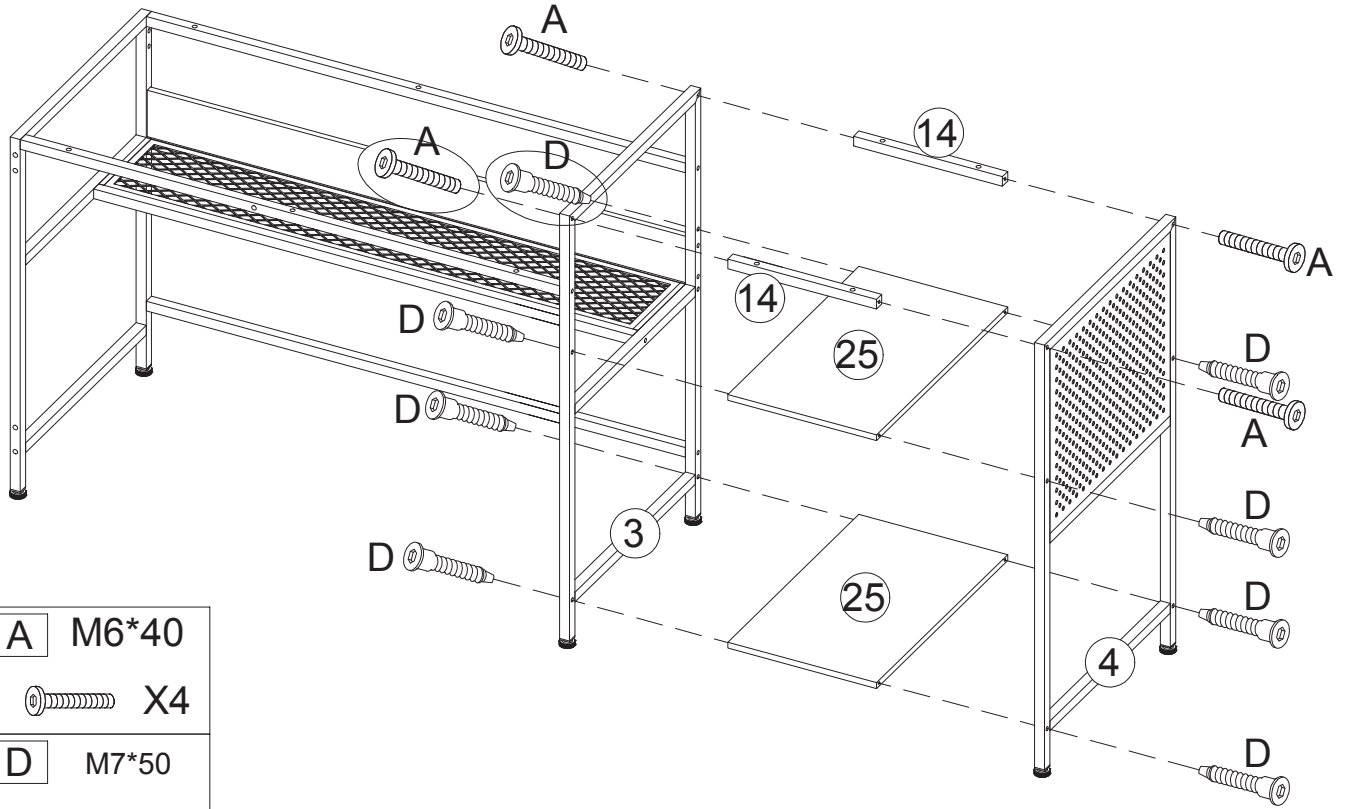




## STEP 6



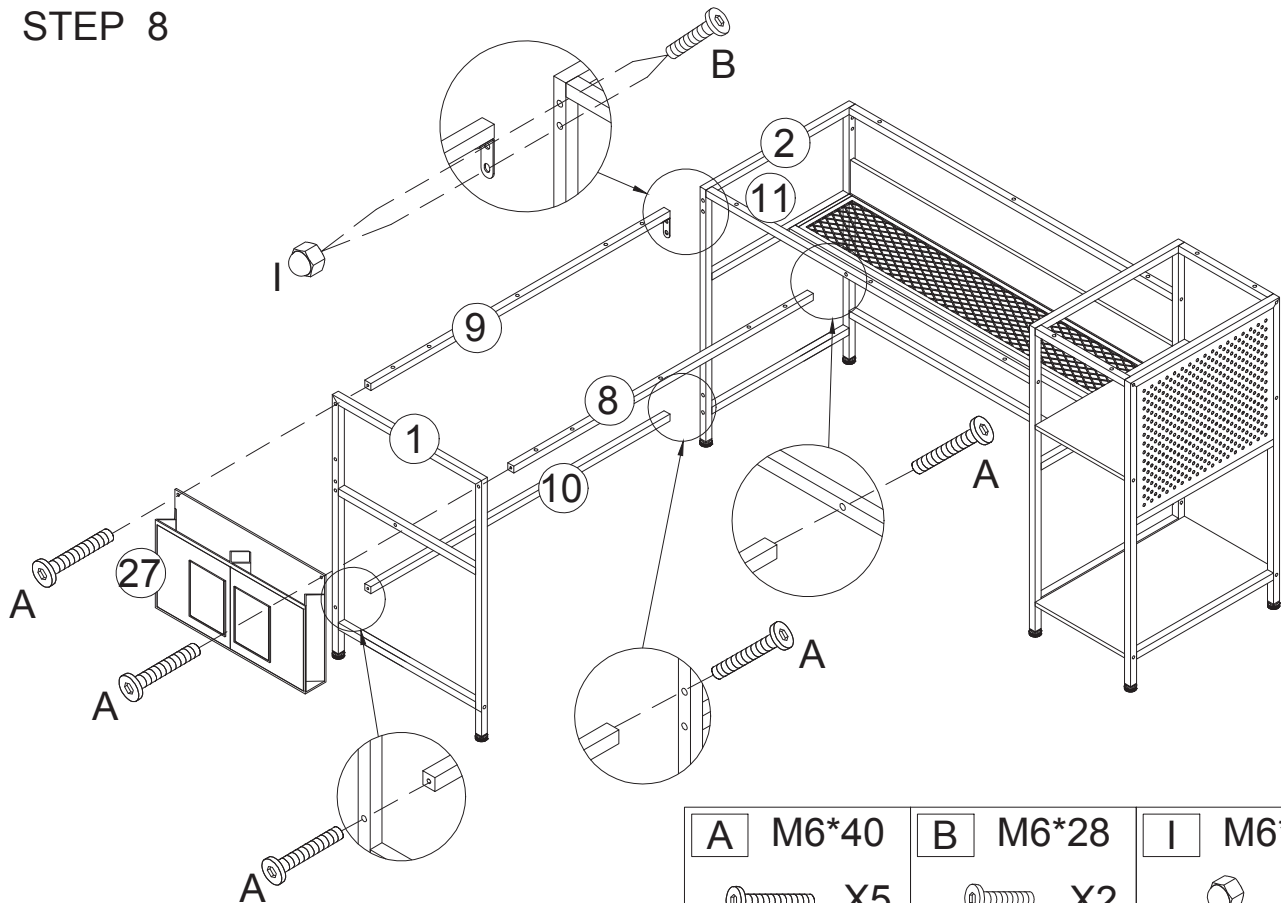
# ASSEMBLY INSTRUCTION




## STEP 7



A	M6*40
	X4
D	M7*50
	X8

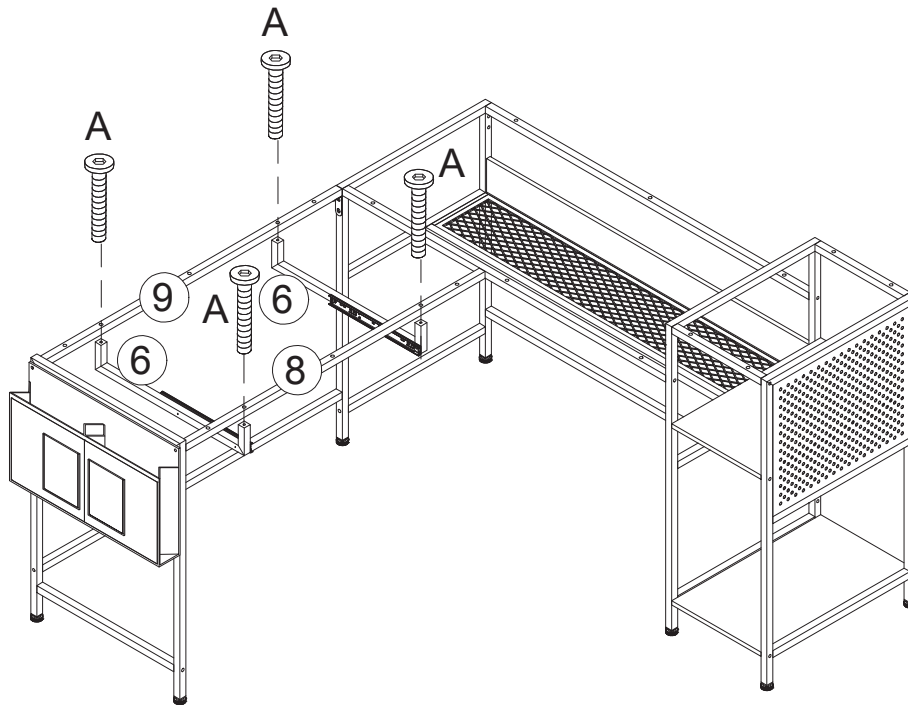
## STEP 8



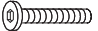
A	M6*40	B	M6*28	I	M6*12
	X5		X2		X2

# ASSEMBLY INSTRUCTION

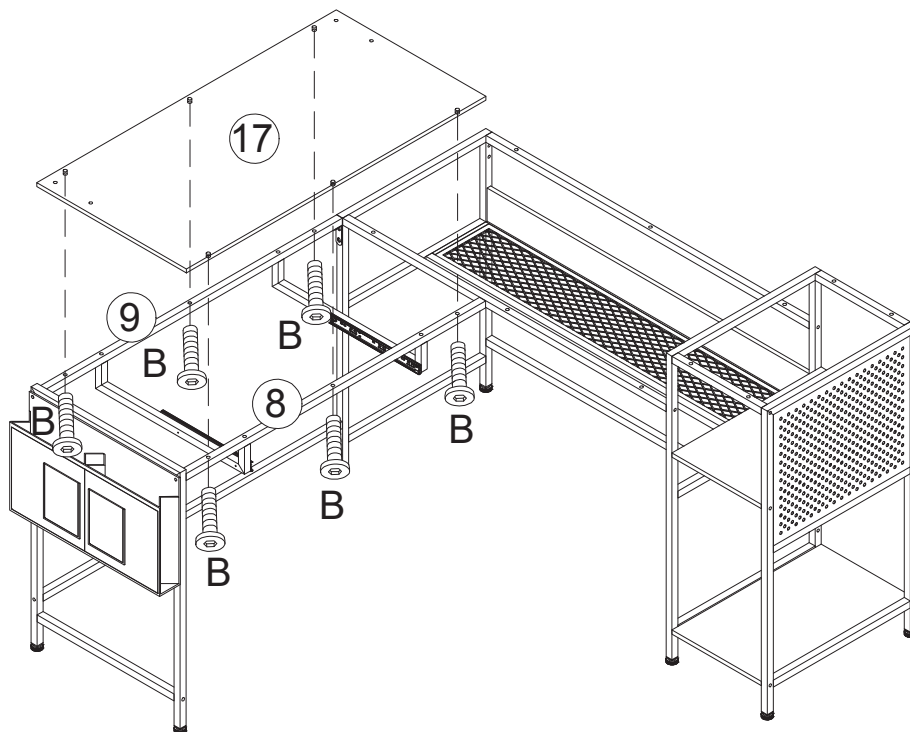
## STEP 9



A M6\*40

 X4

## STEP 10

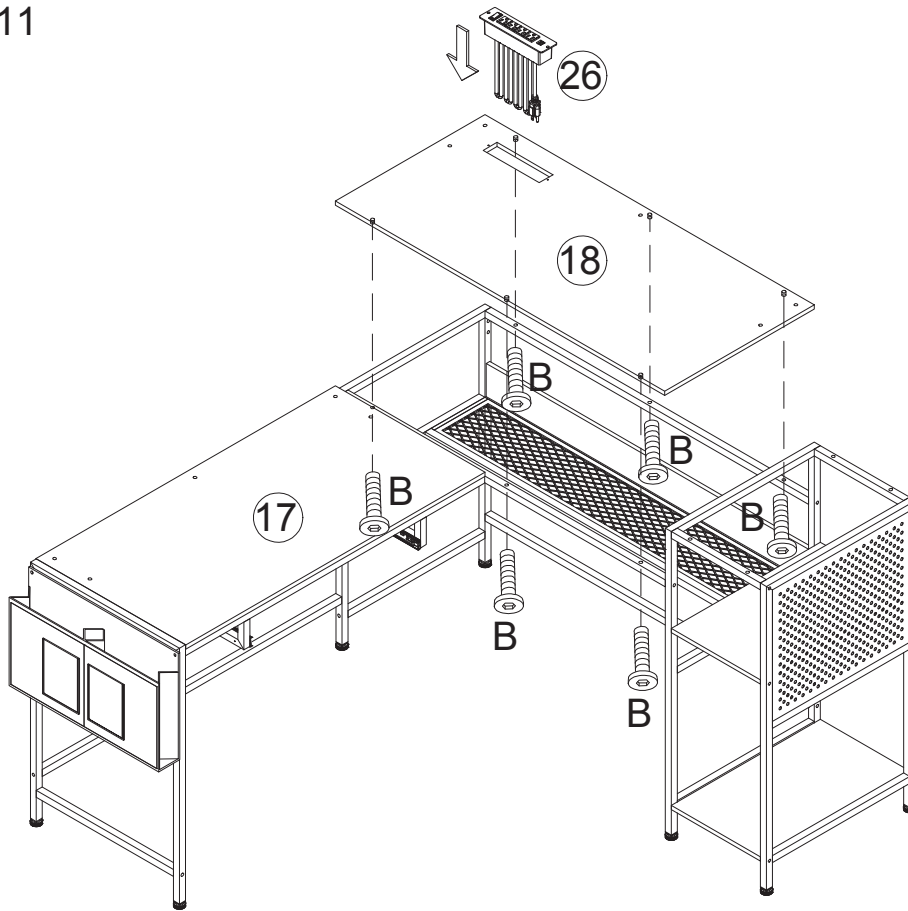



B M6\*28

 X6

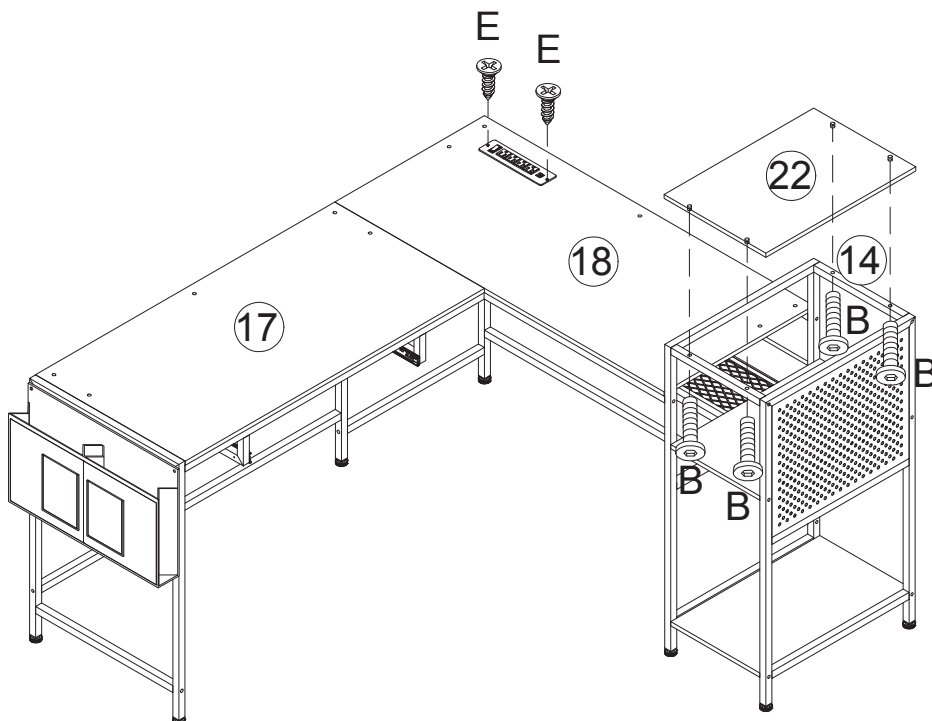
# ASSEMBLY INSTRUCTION



## STEP 11



B	M6*28
	X6

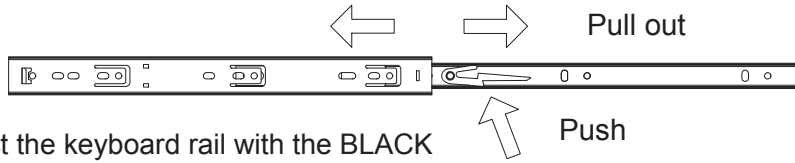
## STEP 12



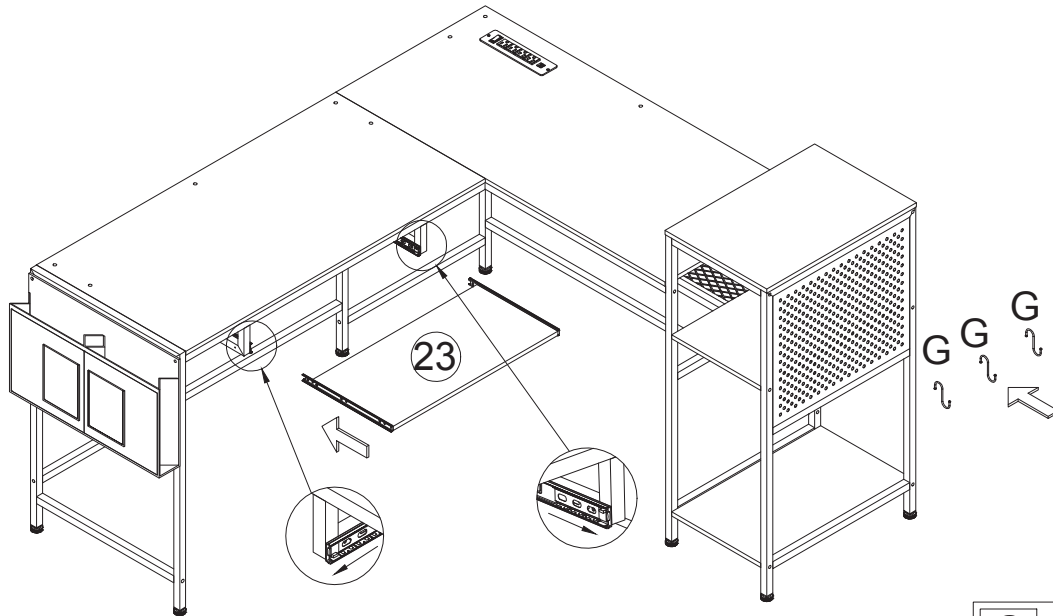
B	M6*28
	X4
E	M3.5*12
	X2

# ASSEMBLY INSTRUCTION

## STEP 13



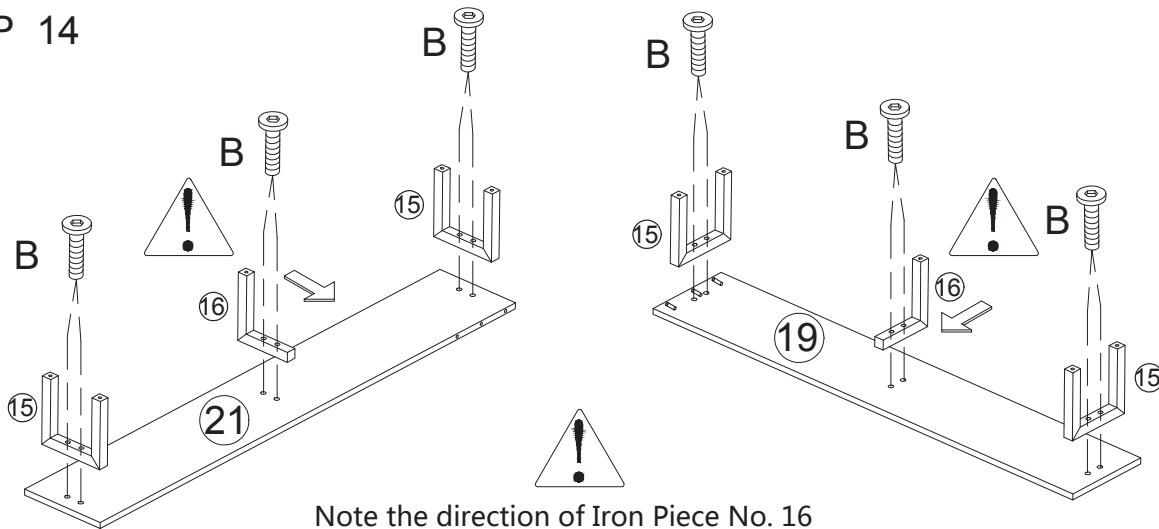
Disconnect the keyboard rail with the BLACK PLASTIC PART. It needs to be pulled down to disconnect the runners.



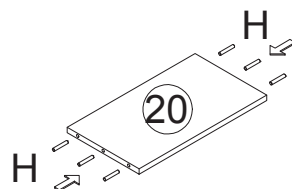
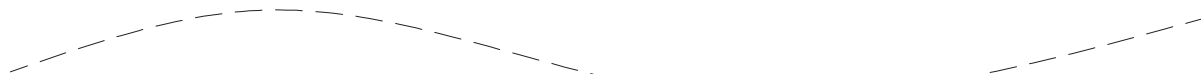
Move the movable iron piece with the small iron ball to the front and align the mounting rail.

G	1#
	X3

## STEP 14



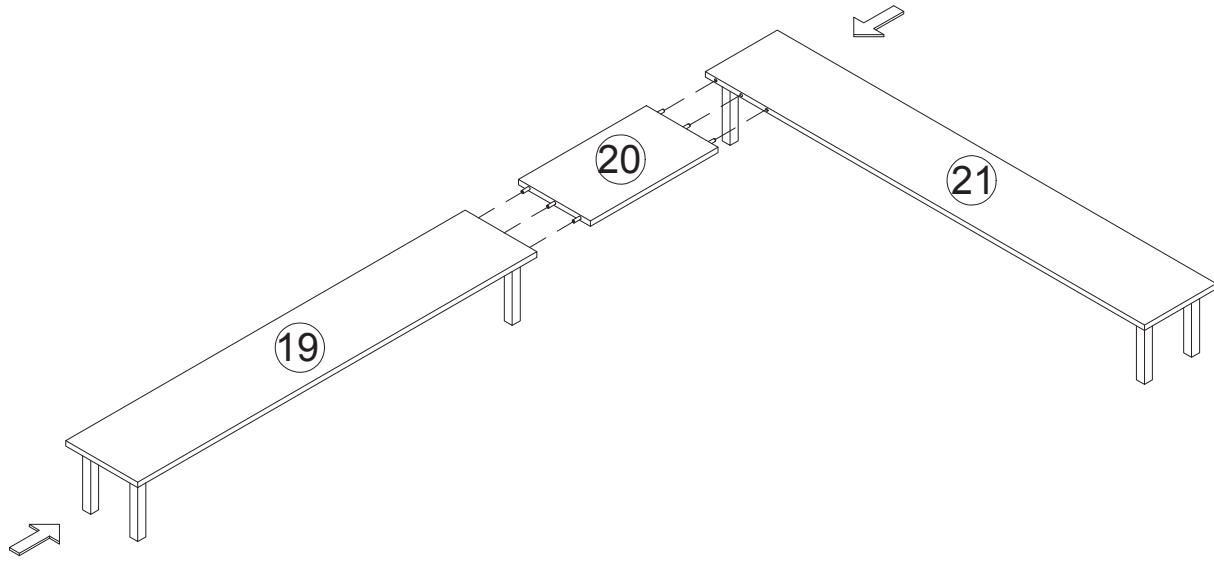
Note the direction of Iron Piece No. 16



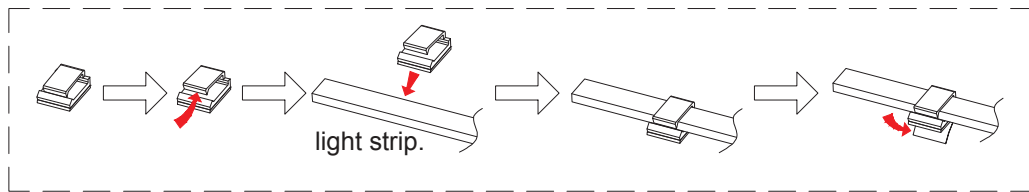
H	Ø6*40
	X6
B	M6*28
	X12

# ASSEMBLY INSTRUCTION

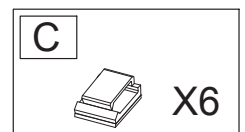
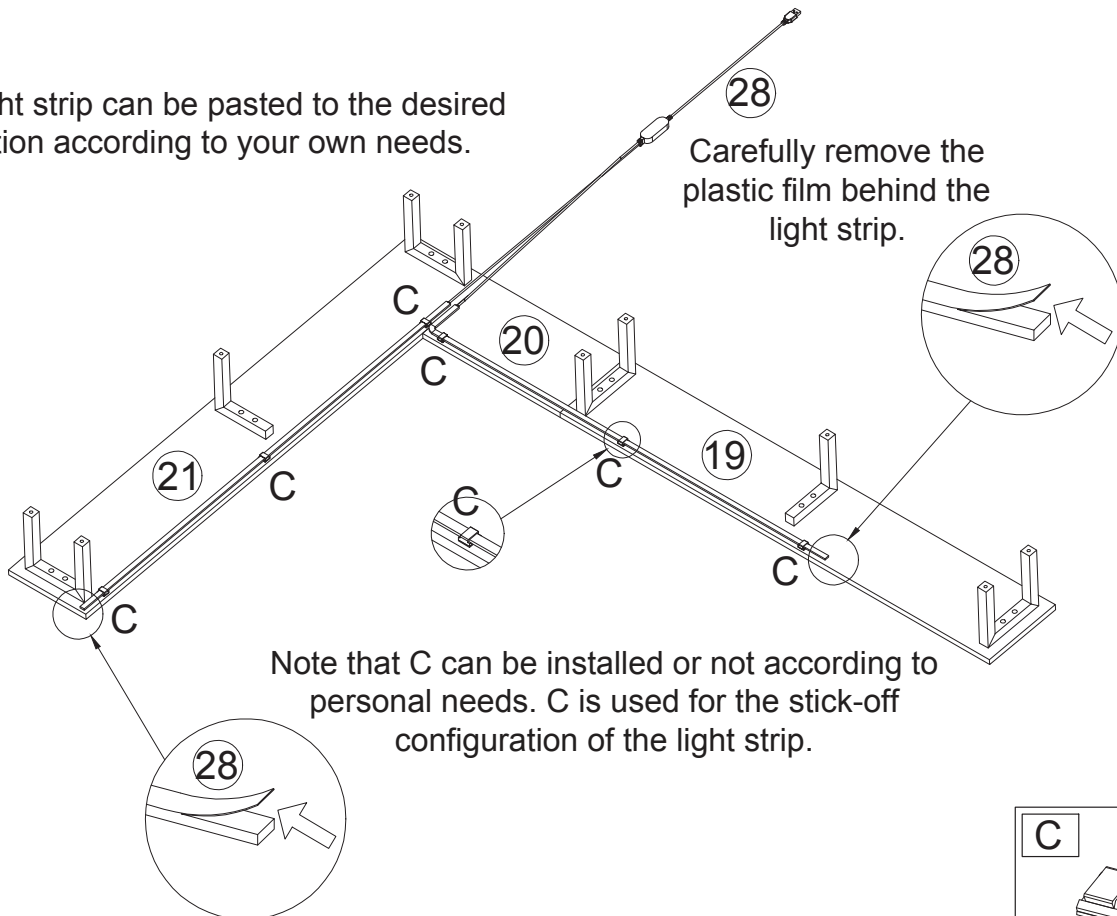
## STEP 15



## STEP 16

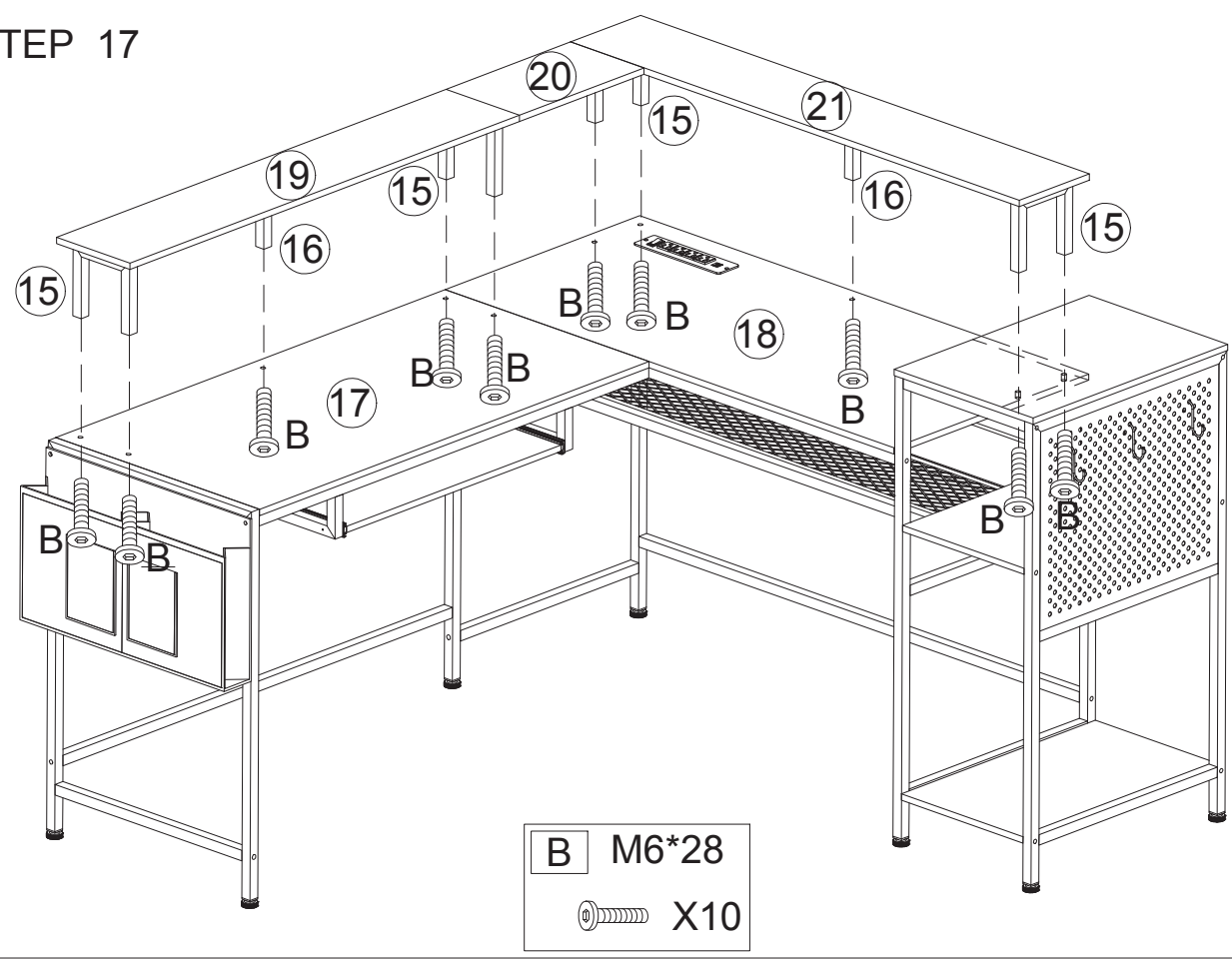


The light strip can be pasted to the desired position according to your own needs.

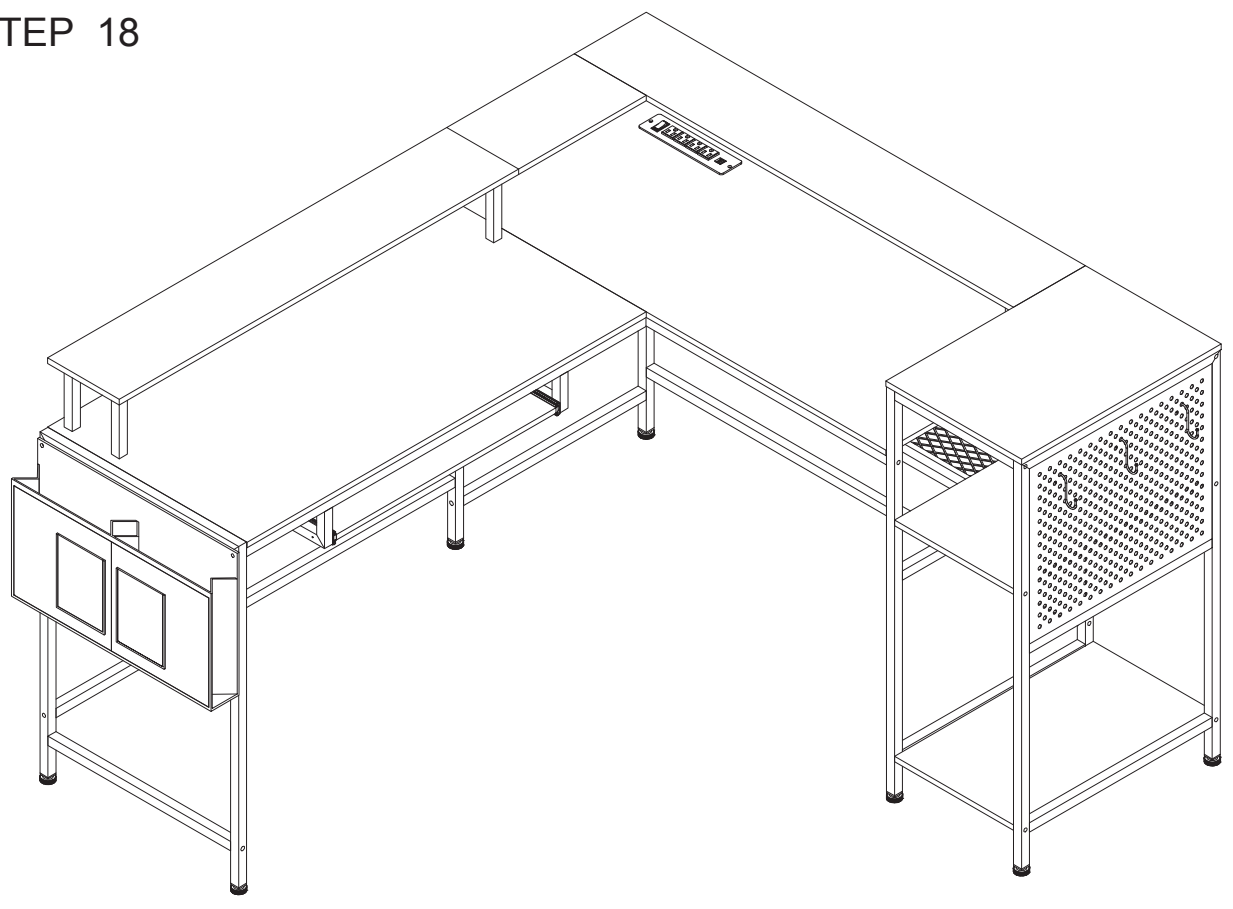


# ASSEMBLY INSTRUCTION

## STEP 17

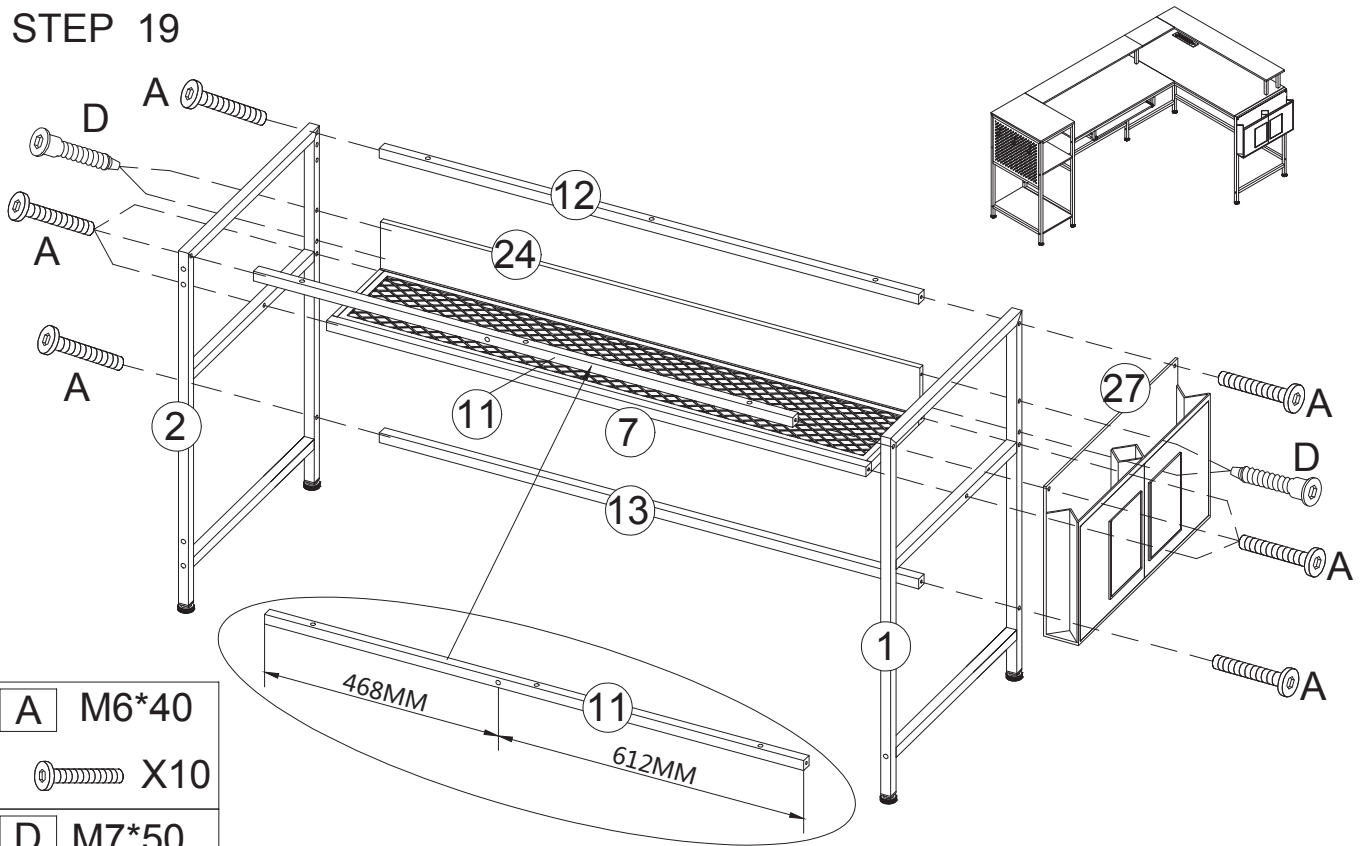




## STEP 18



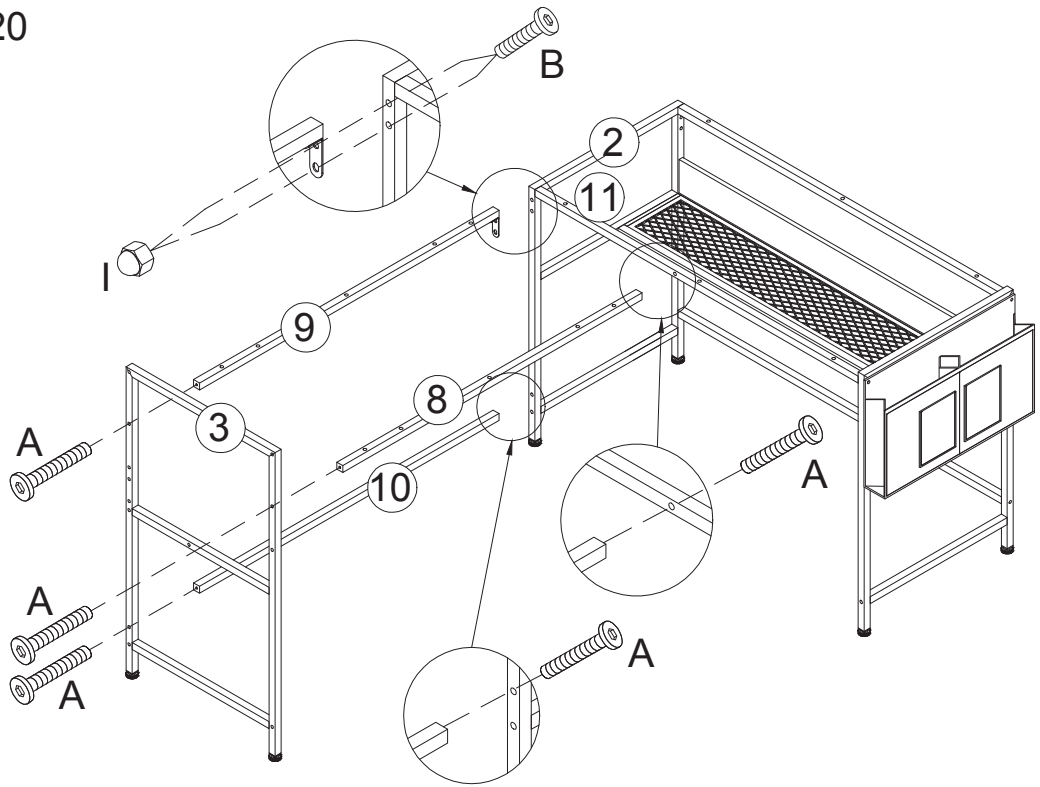
# ASSEMBLY INSTRUCTION




## STEP 19



A	M6*40
	X10
D	M7*50
	X4

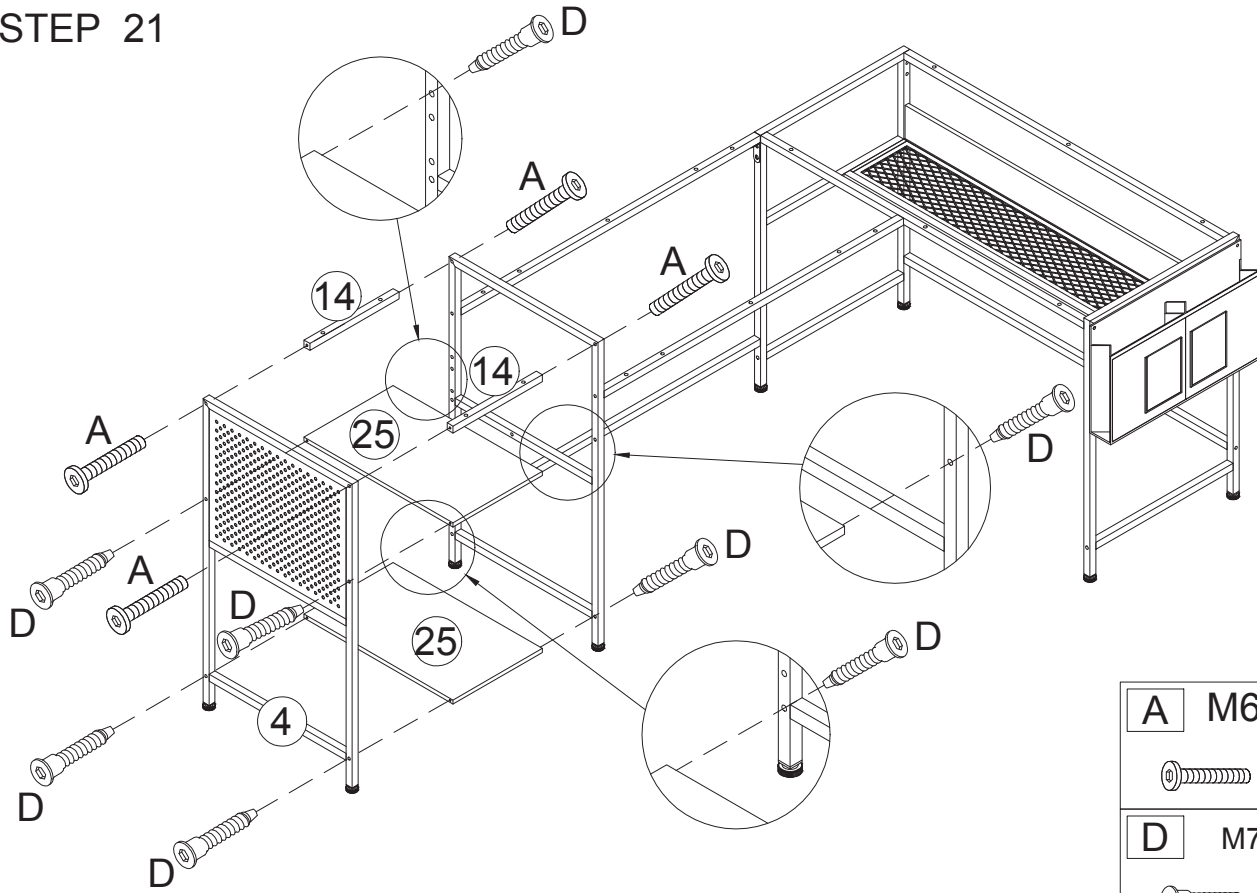
## STEP 20





A	M6*40	B	M6*28	I	M6*12
	X5		X2		X2

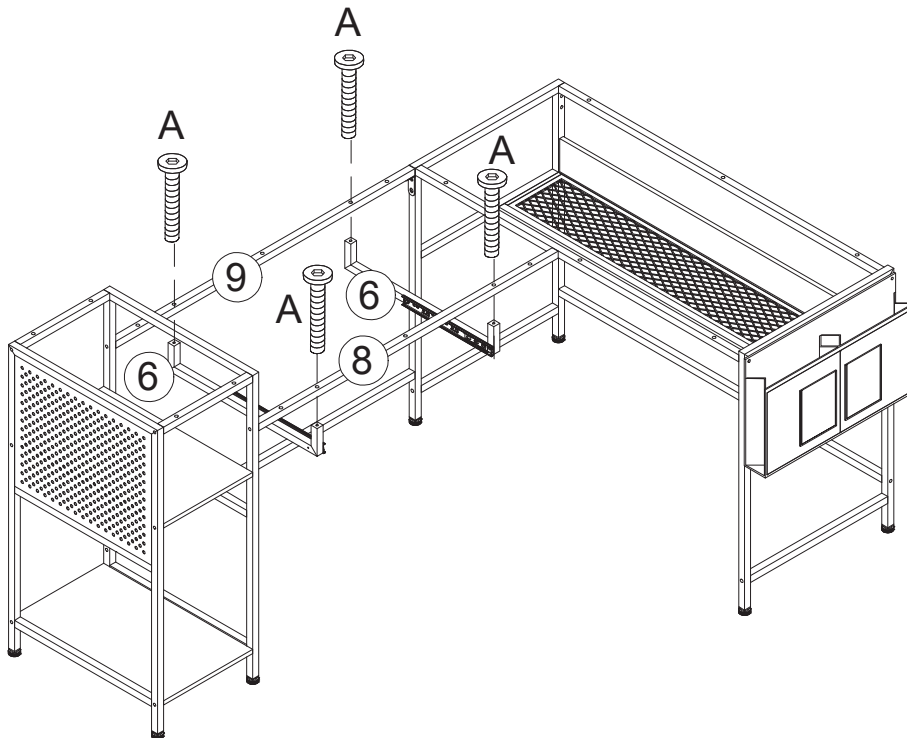
# ASSEMBLY INSTRUCTION


## STEP 21



A	M6*40
	X4
D	M7*50
	X8

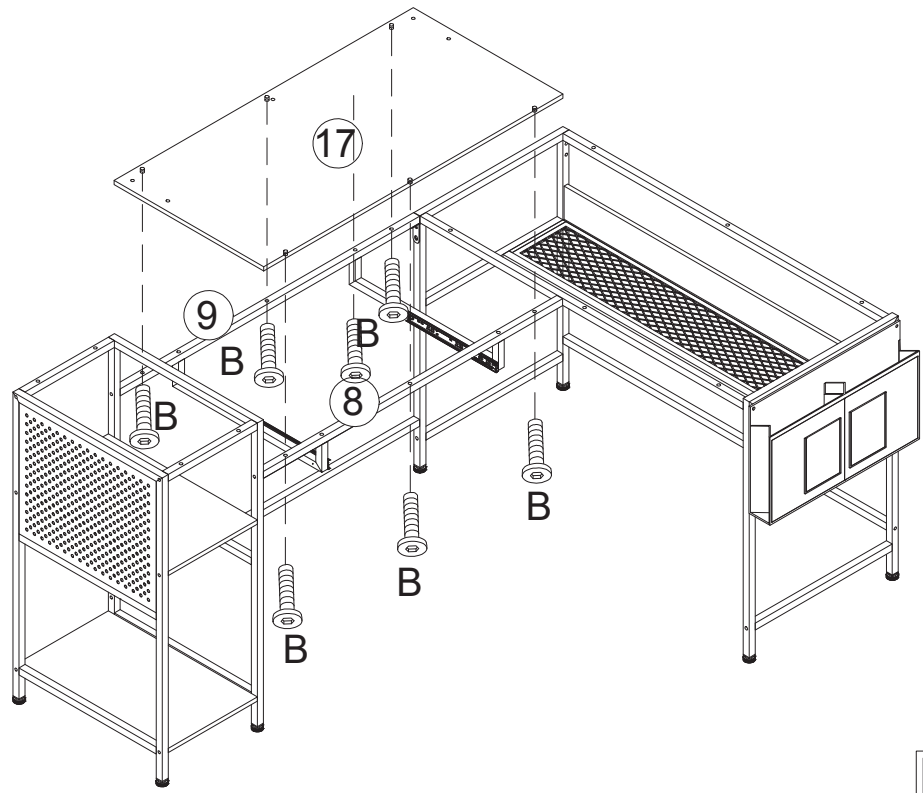
## STEP 22




A	M6*40
	X4

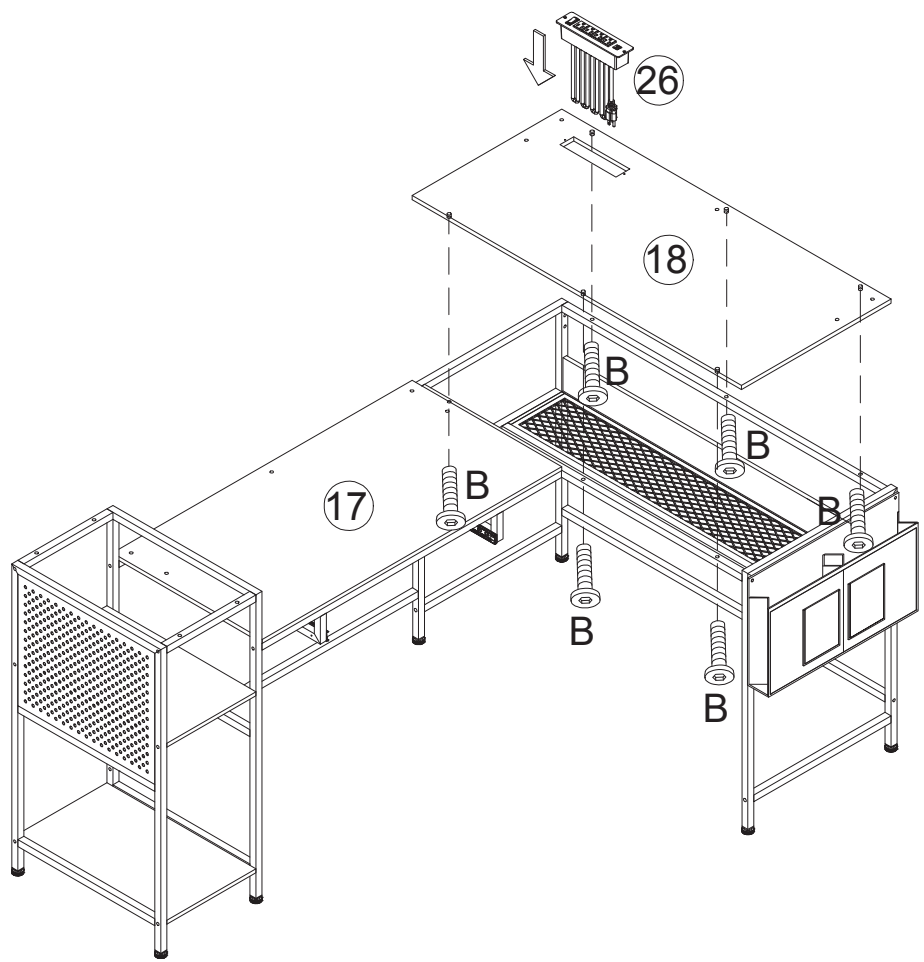
# ASSEMBLY INSTRUCTION


## STEP 23



B	M6*28
	X6

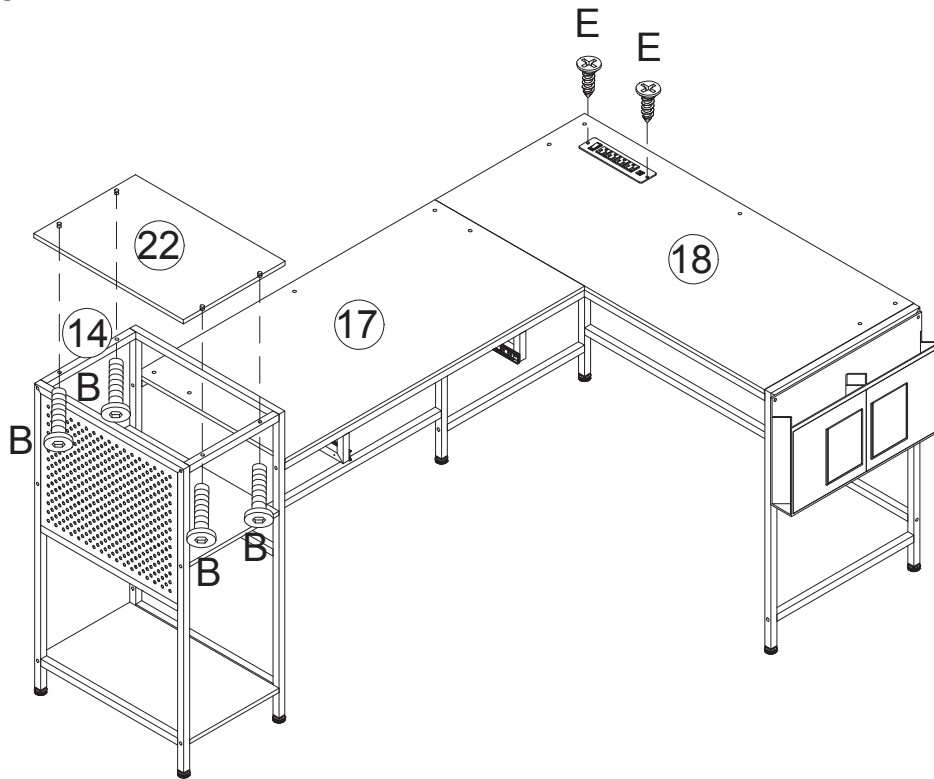
## STEP 24





B	M6*28
	X6

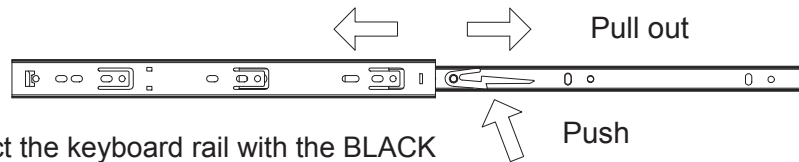
# ASSEMBLY INSTRUCTION

## STEP 25

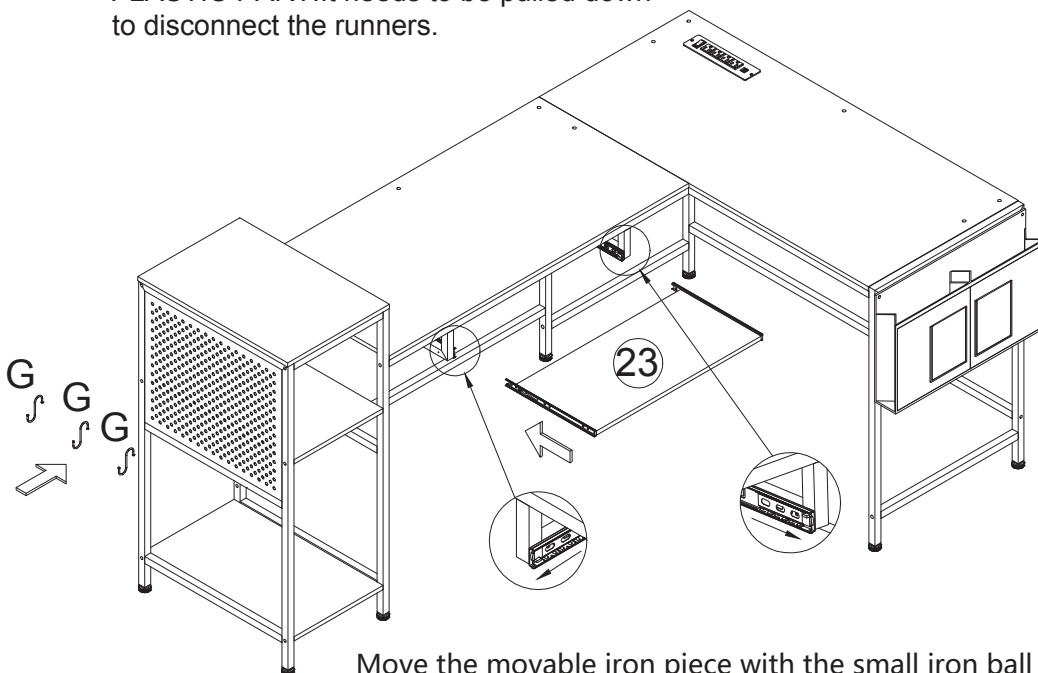


B	M6*28
	X4
E	M3.5*12
	X2


## STEP 26



Disconnect the keyboard rail with the BLACK PLASTIC PART. It needs to be pulled down to disconnect the runners.

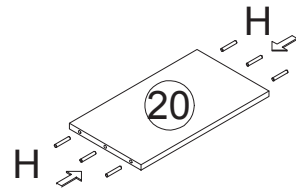
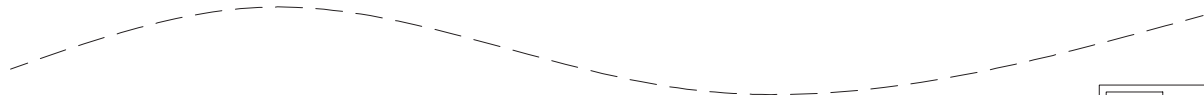
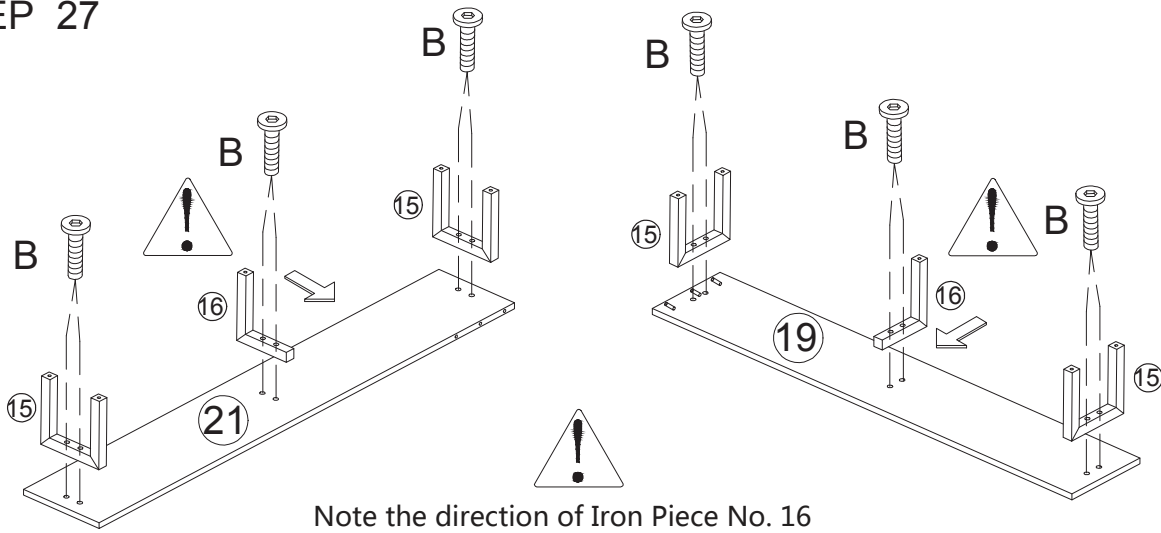


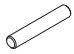

Move the movable iron piece with the small iron ball to the front and align the mounting rail.

G	1#
	X3

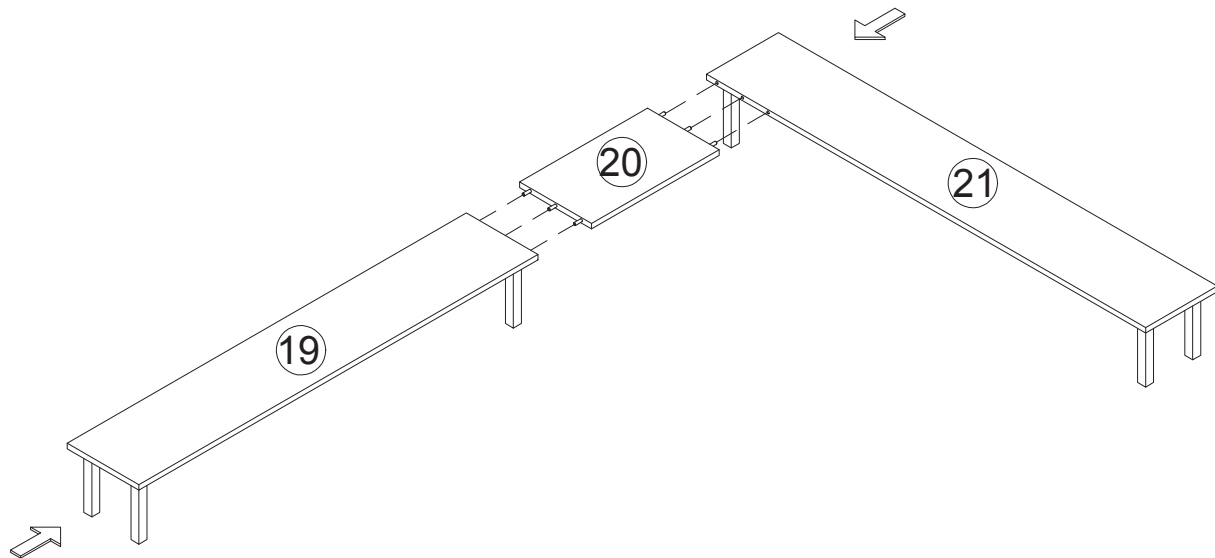
# ASSEMBLY INSTRUCTION

## STEP 27



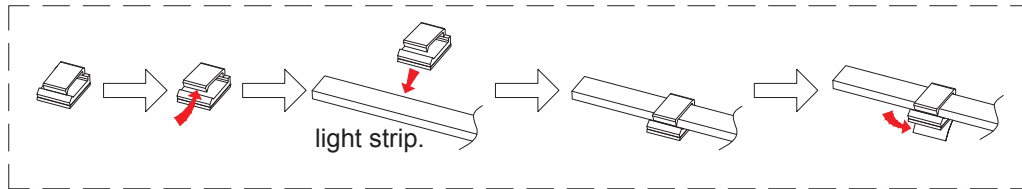
H	Ø6*40
	X6
B	M6*28
	X12

## STEP 28

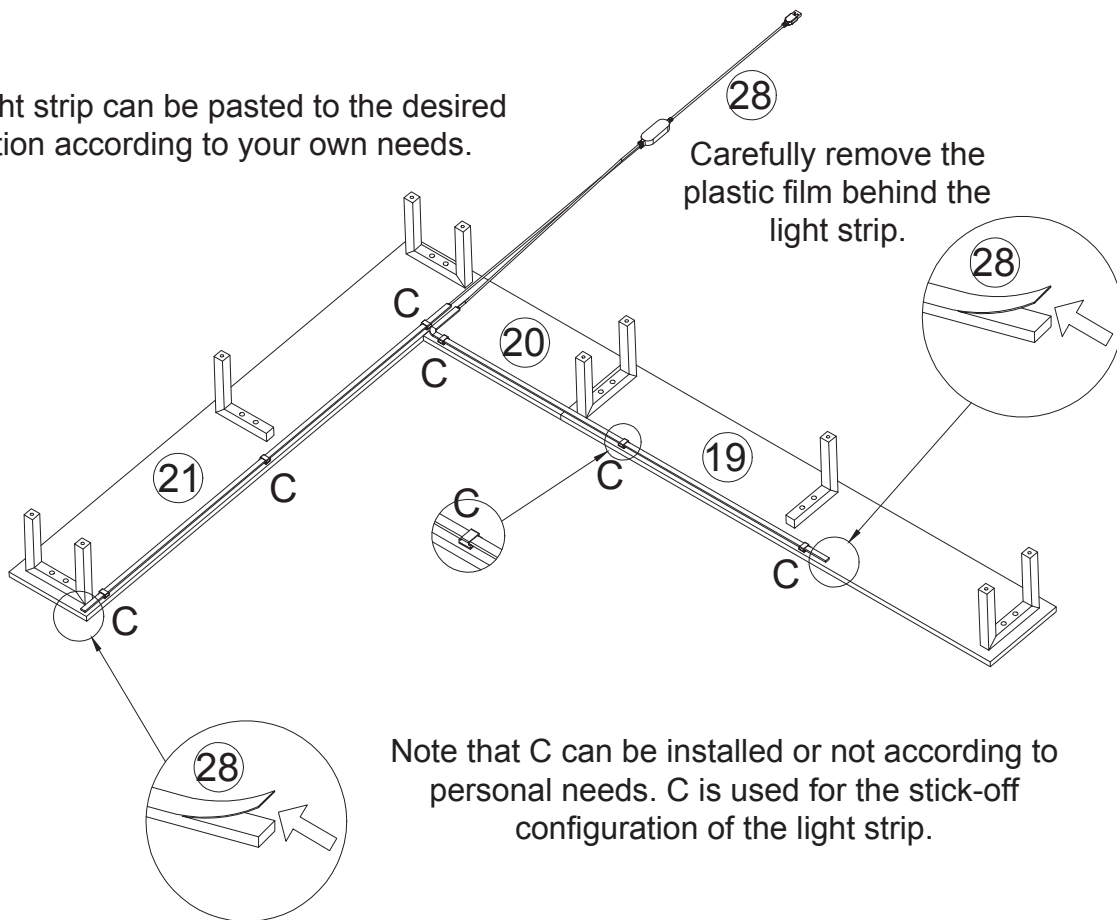


# ASSEMBLY INSTRUCTION

## STEP 29

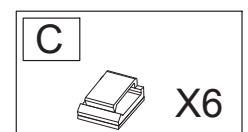


The light strip can be pasted to the desired position according to your own needs.



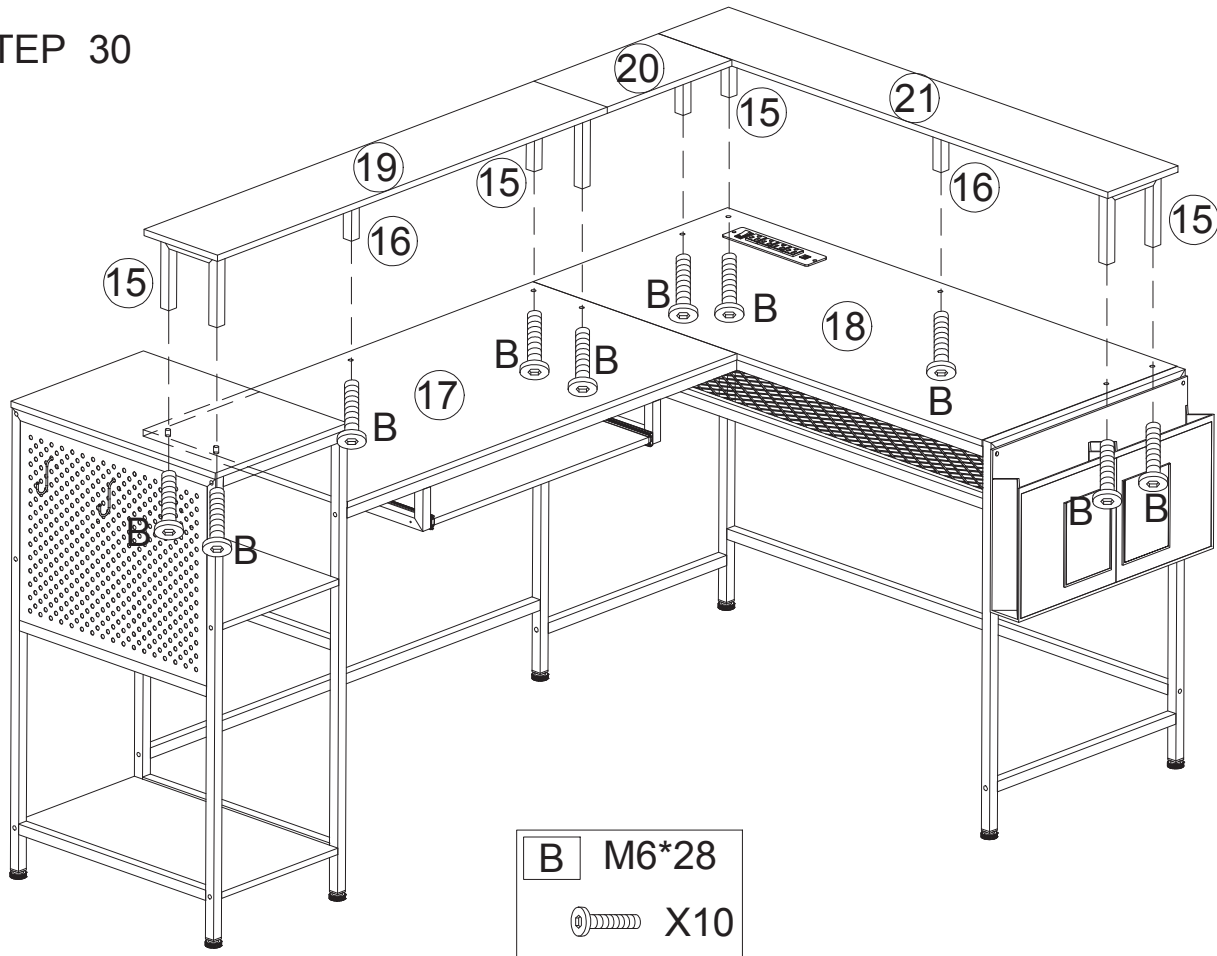
Carefully remove the plastic film behind the light strip.

Note that C can be installed or not according to personal needs. C is used for the stick-off configuration of the light strip.

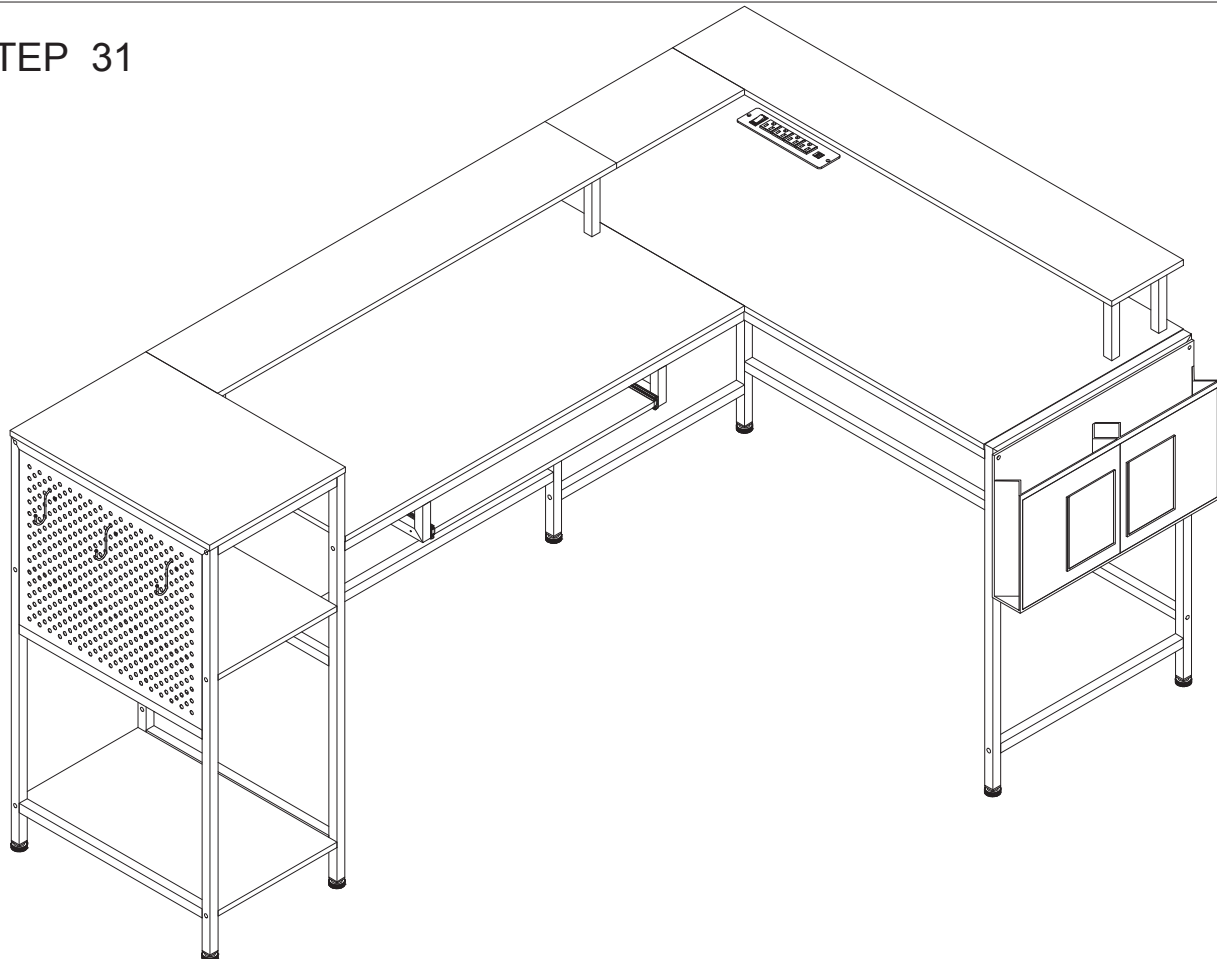


# ASSEMBLY INSTRUCTION

## STEP 30

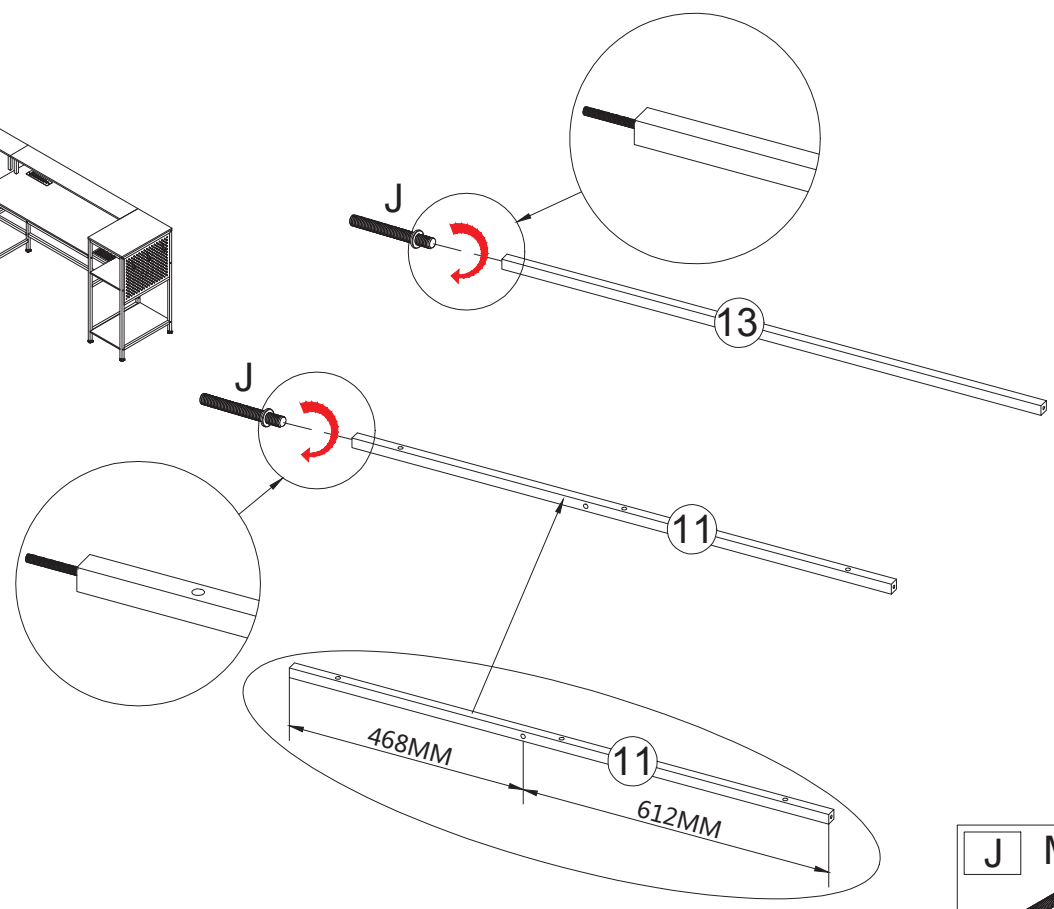
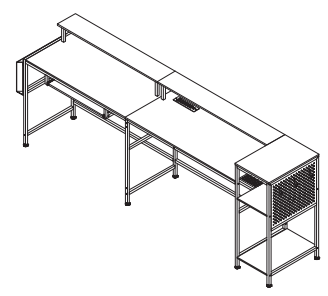



## STEP 31



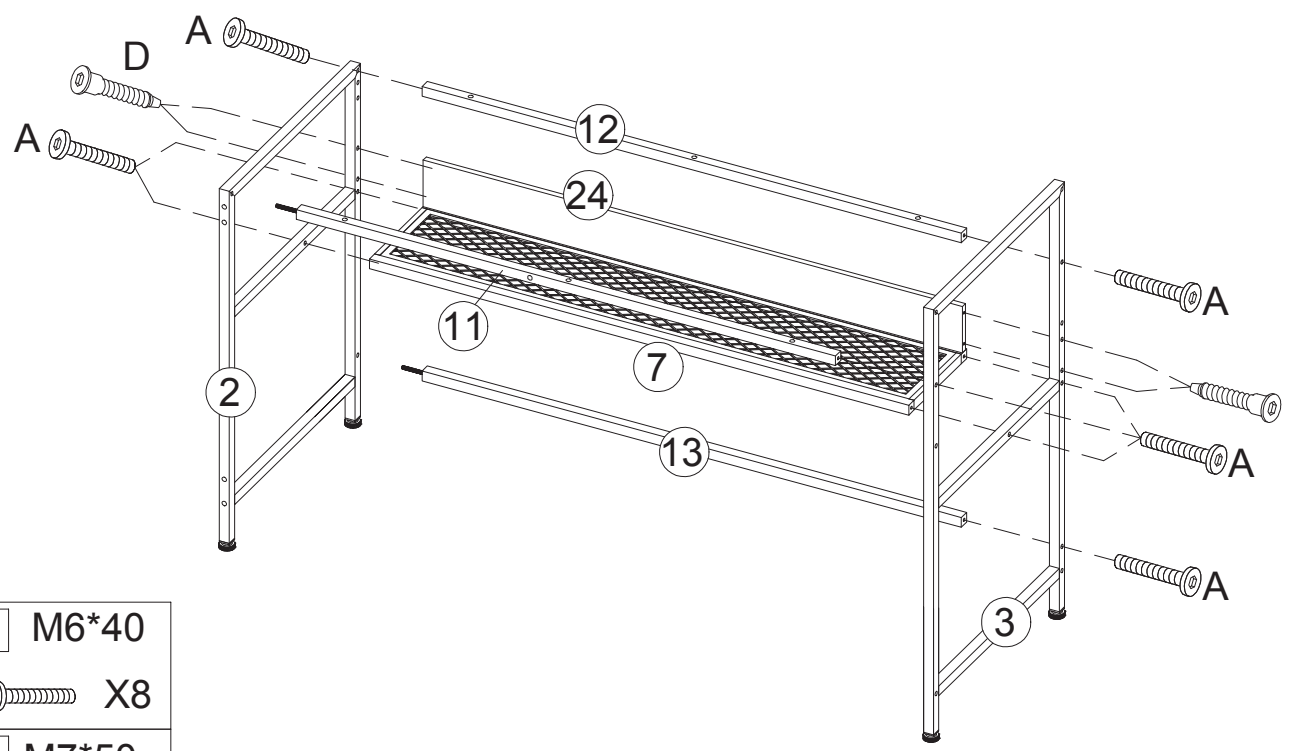
# ASSEMBLY INSTRUCTION


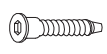
## STEP 32



J	M6*70
	X2

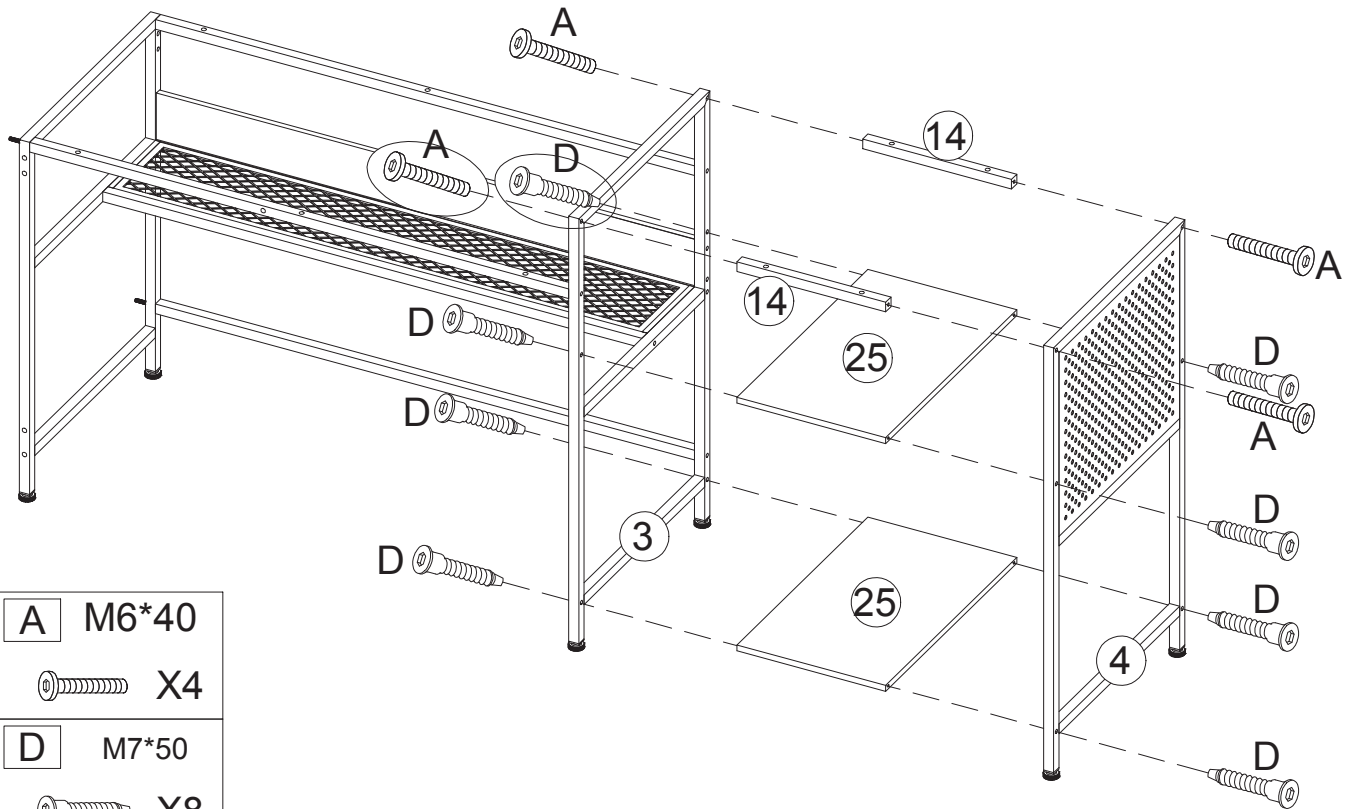
## STEP 33





A	M6*40
	X8
D	M7*50
	X4

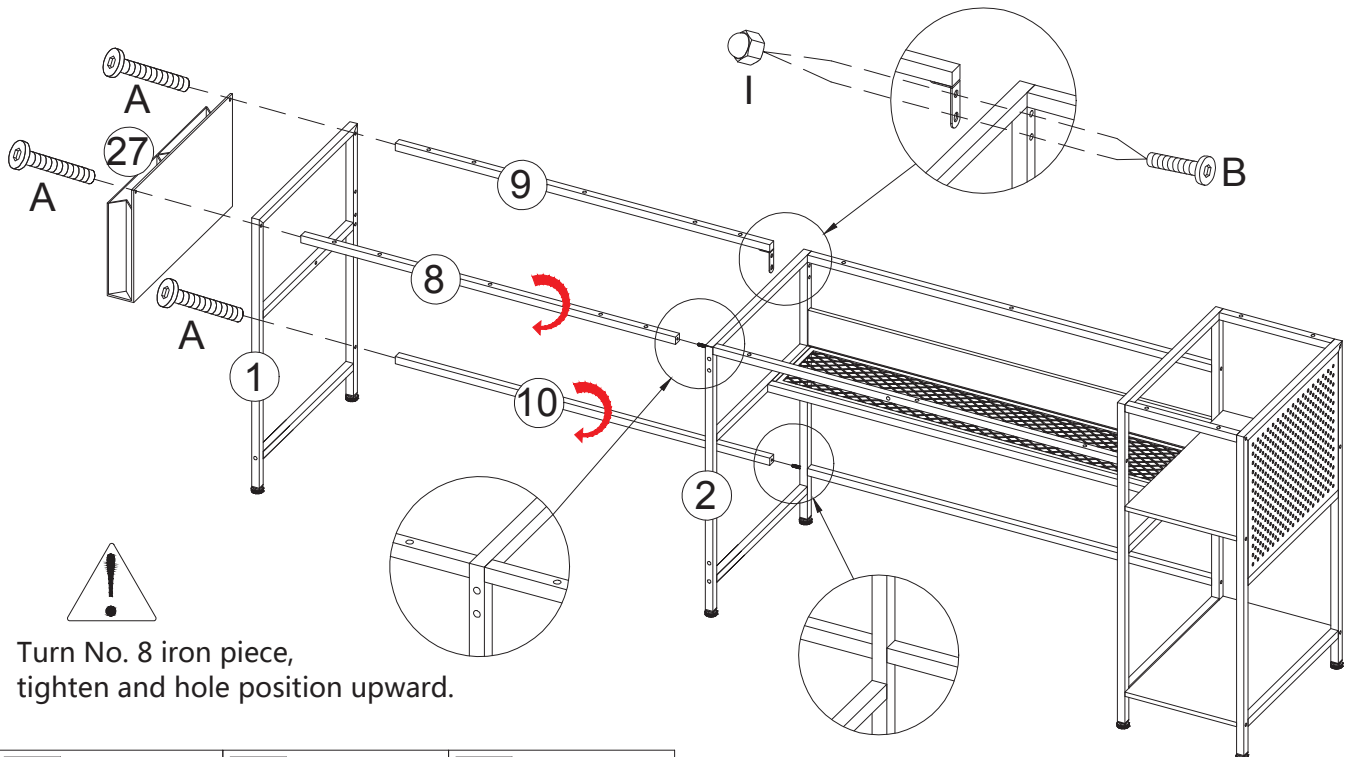
# ASSEMBLY INSTRUCTION

## STEP 34

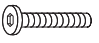
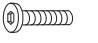



A	M6*40
	X4
D	M7*50
	X8

## STEP 35

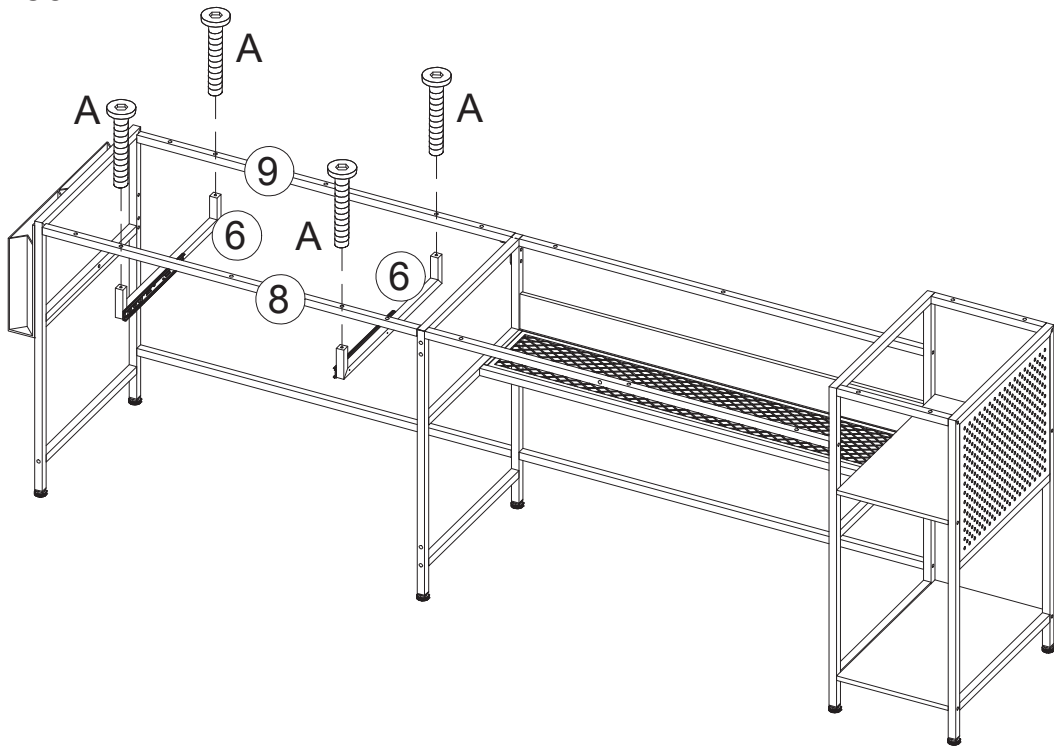


Turn No. 8 iron piece,  
tighten and hole position upward.

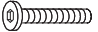
A	M6*40	B	M6*28	I	M6*12
	X3		X2		X2

# ASSEMBLY INSTRUCTION

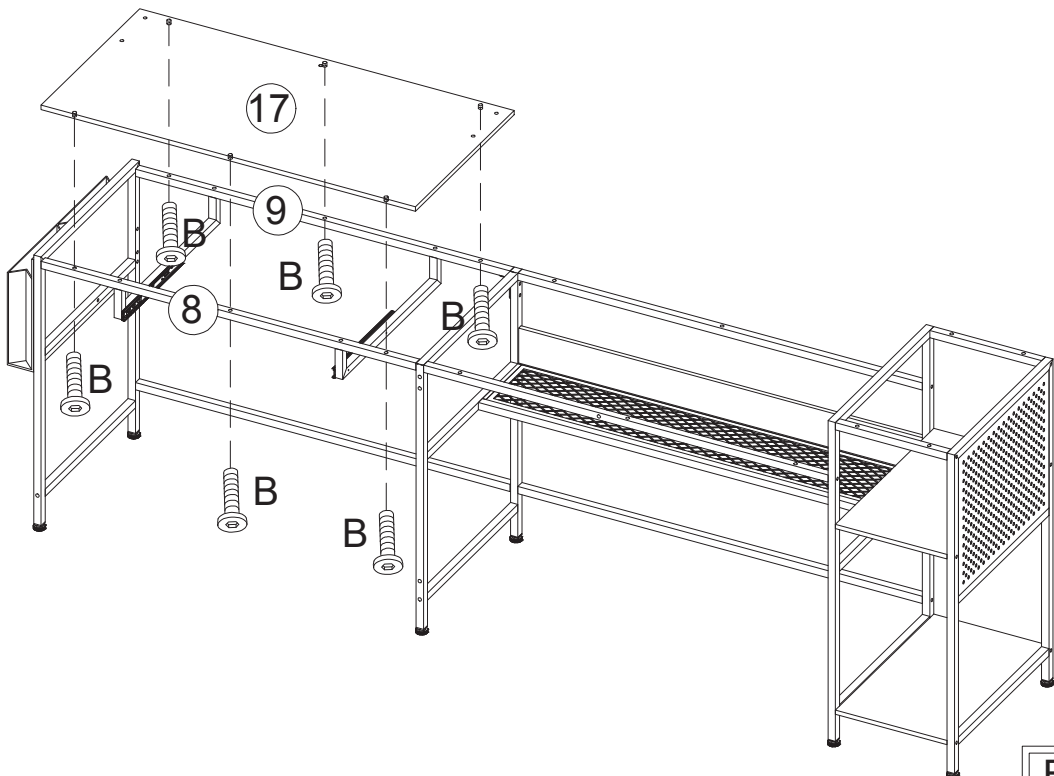
## STEP 36



A M6\*40

 X4

## STEP 37

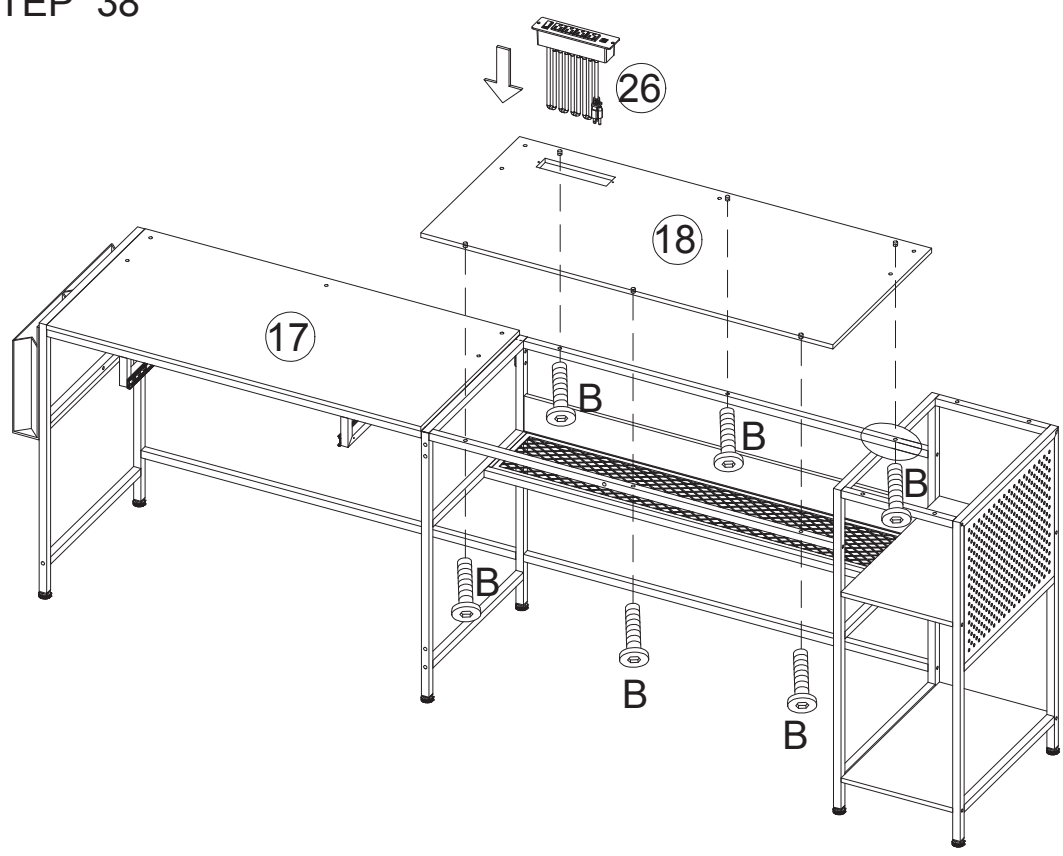



B M6\*28

 X6

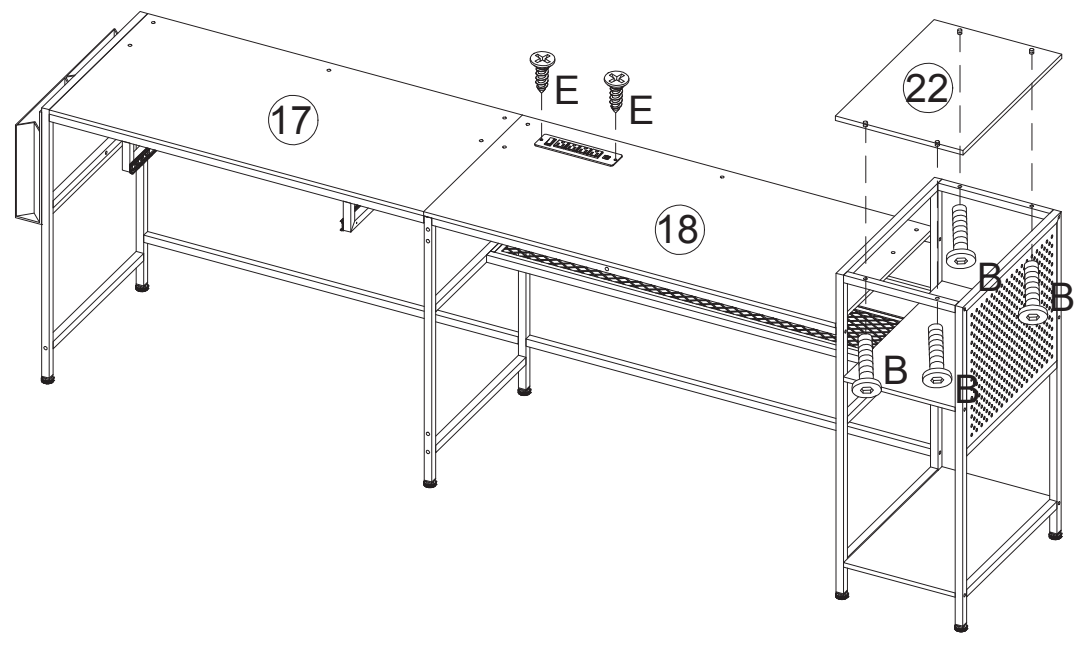
# ASSEMBLY INSTRUCTION

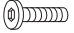

## STEP 38



- |  |       |
|--|-------|
| B  | M6*28 |
|  | X6    |

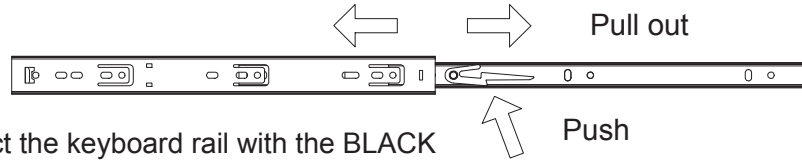
## STEP 39



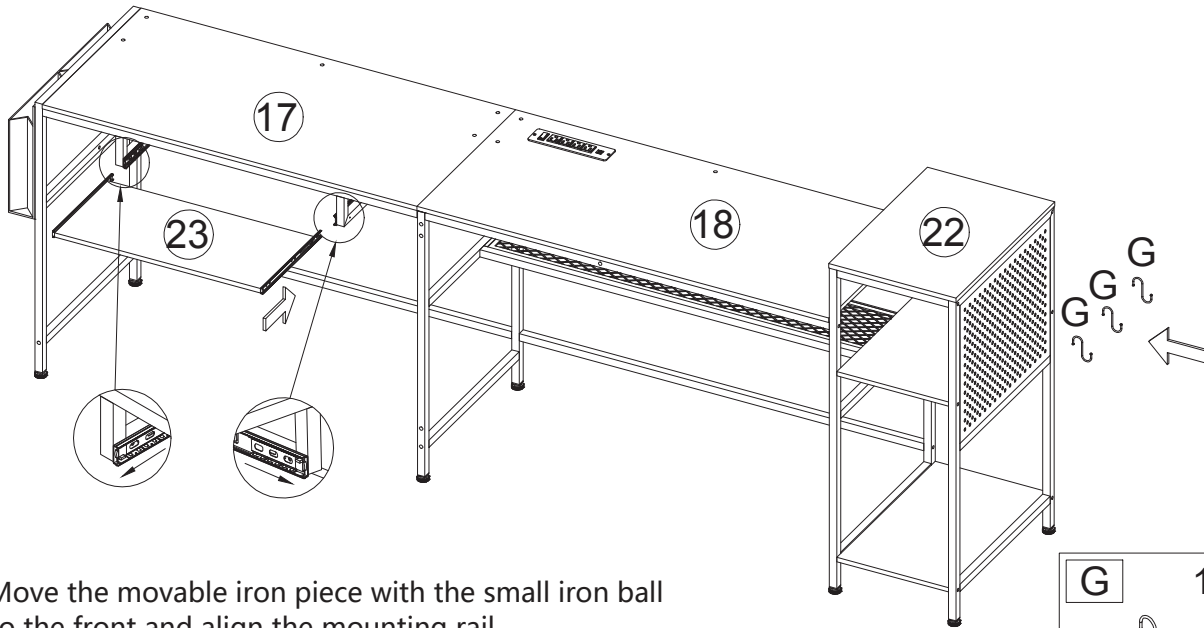
- |   |         |
|---|---------|
| B   | M6*28   |
|  | X4      |
| E   | M3.5*12 |
|  | X2      |

# ASSEMBLY INSTRUCTION

## STEP 40

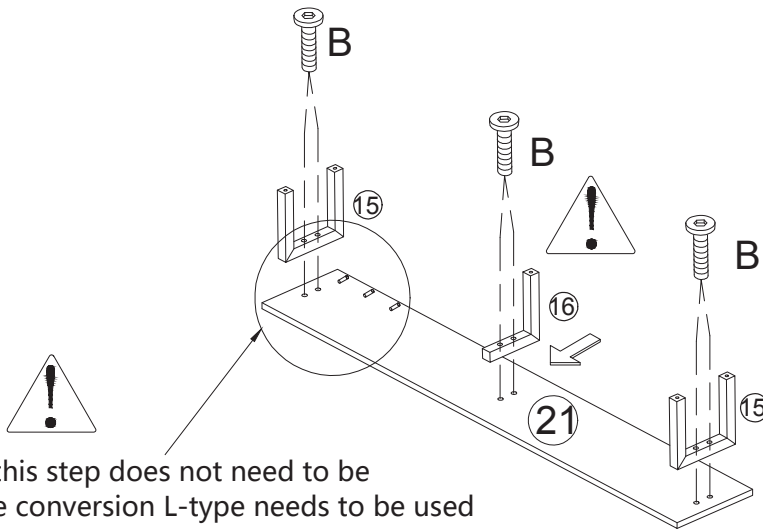


Disconnect the keyboard rail with the BLACK PLASTIC PART. It needs to be pulled down to disconnect the runners.



Move the movable iron piece with the small iron ball to the front and align the mounting rail.

## STEP 41



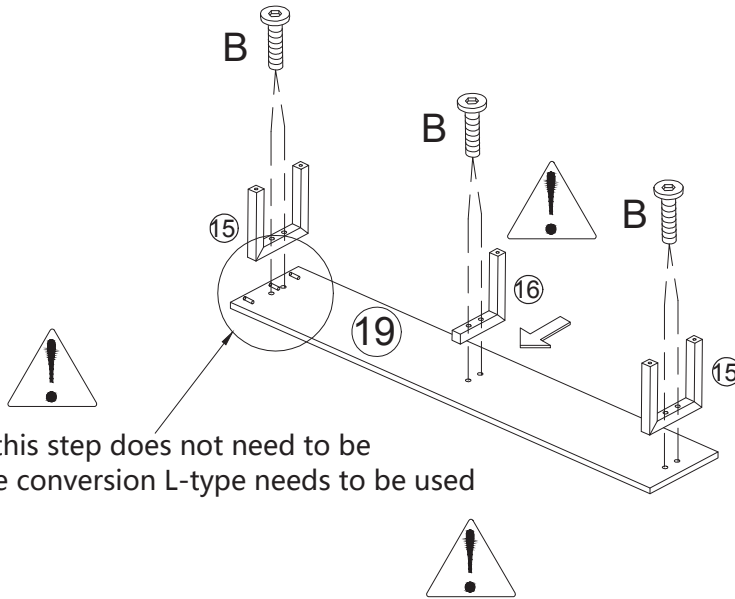
Side hole this step does not need to be used in the conversion L-type needs to be used

Note the direction of Iron Piece No. 16

B	M6*28
	X6

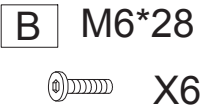
# ASSEMBLY INSTRUCTION

## STEP 42

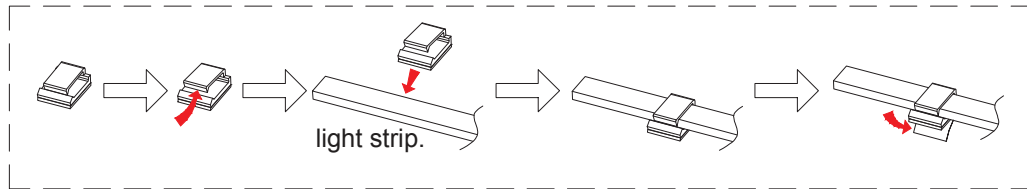


Side hole this step does not need to be used in the conversion L-type needs to be used

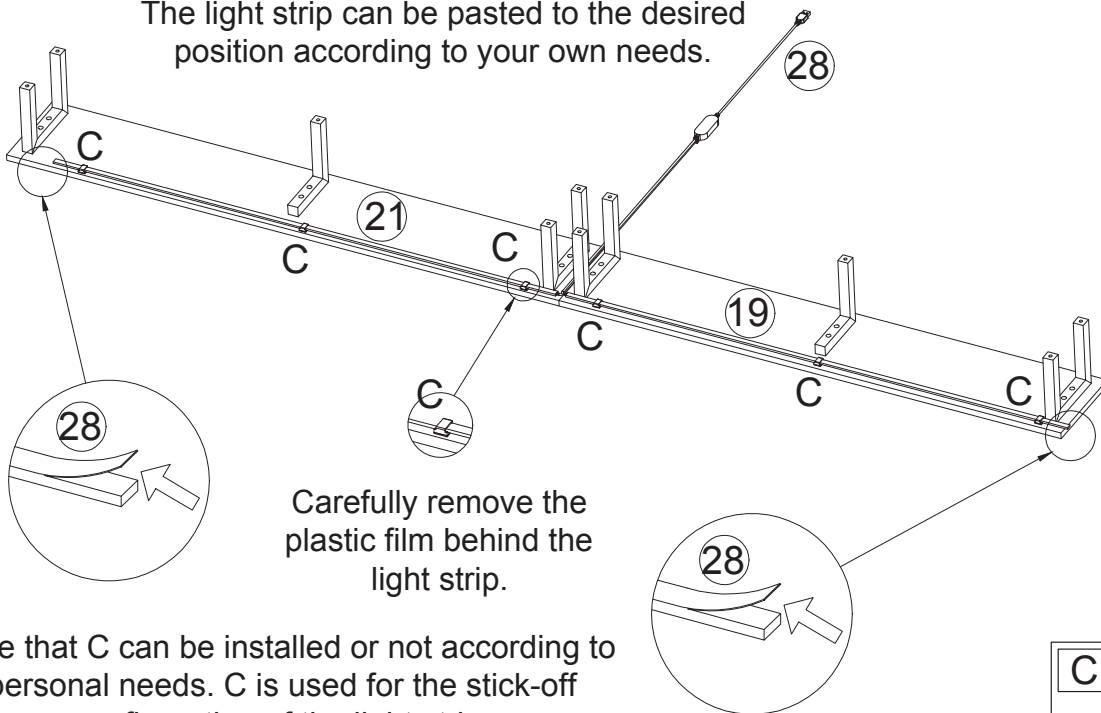
Note the direction of Iron Piece No. 16



## STEP 43

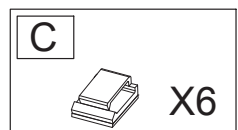


The light strip can be pasted to the desired position according to your own needs.



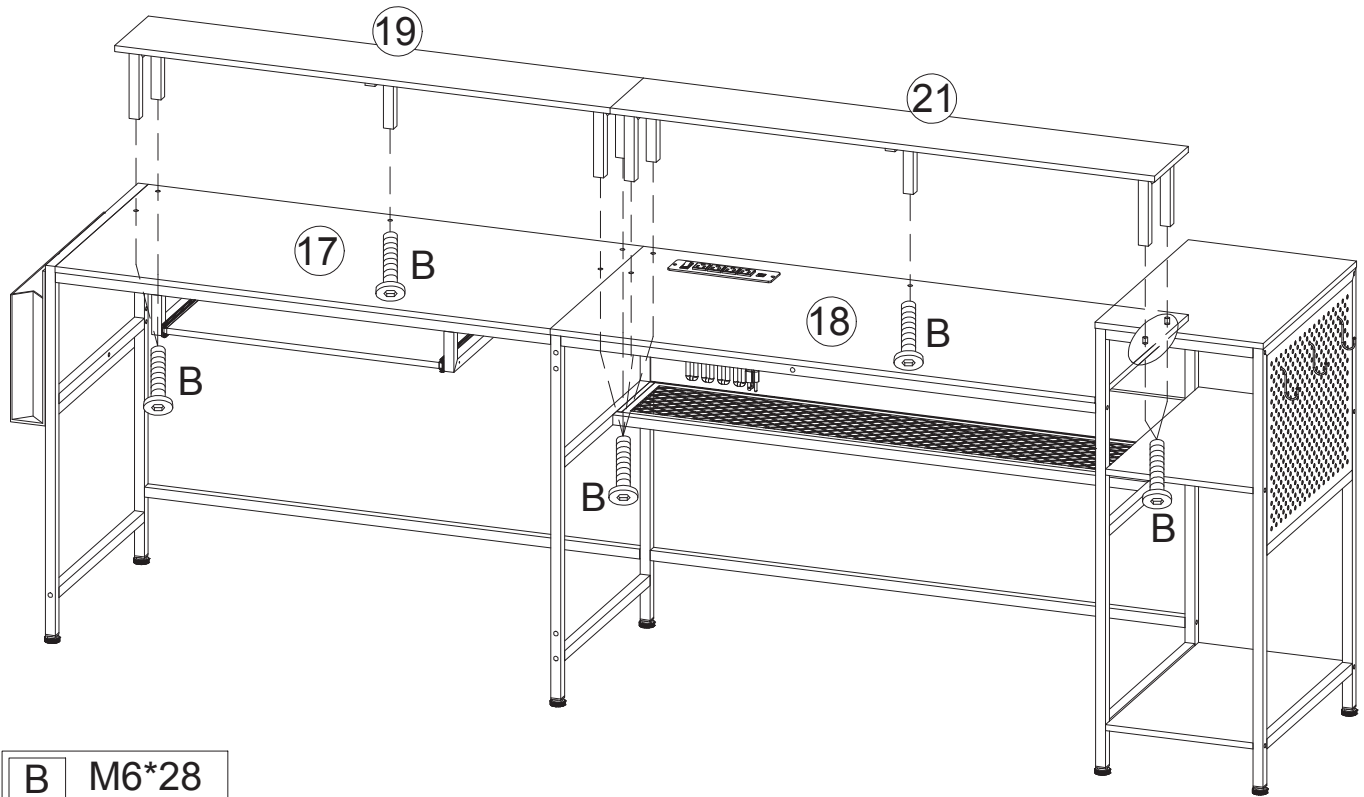
Carefully remove the plastic film behind the light strip.

Note that C can be installed or not according to personal needs. C is used for the stick-off configuration of the light strip.



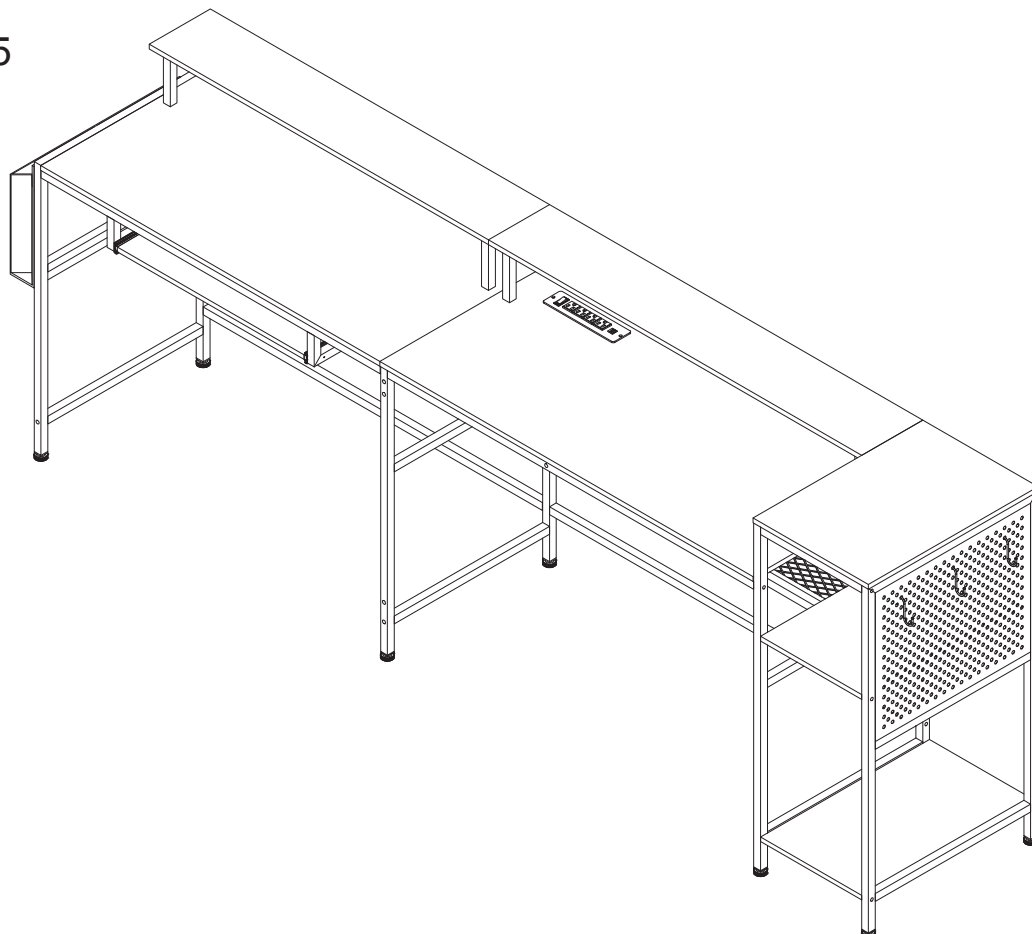
# ASSEMBLY INSTRUCTION

## STEP 44



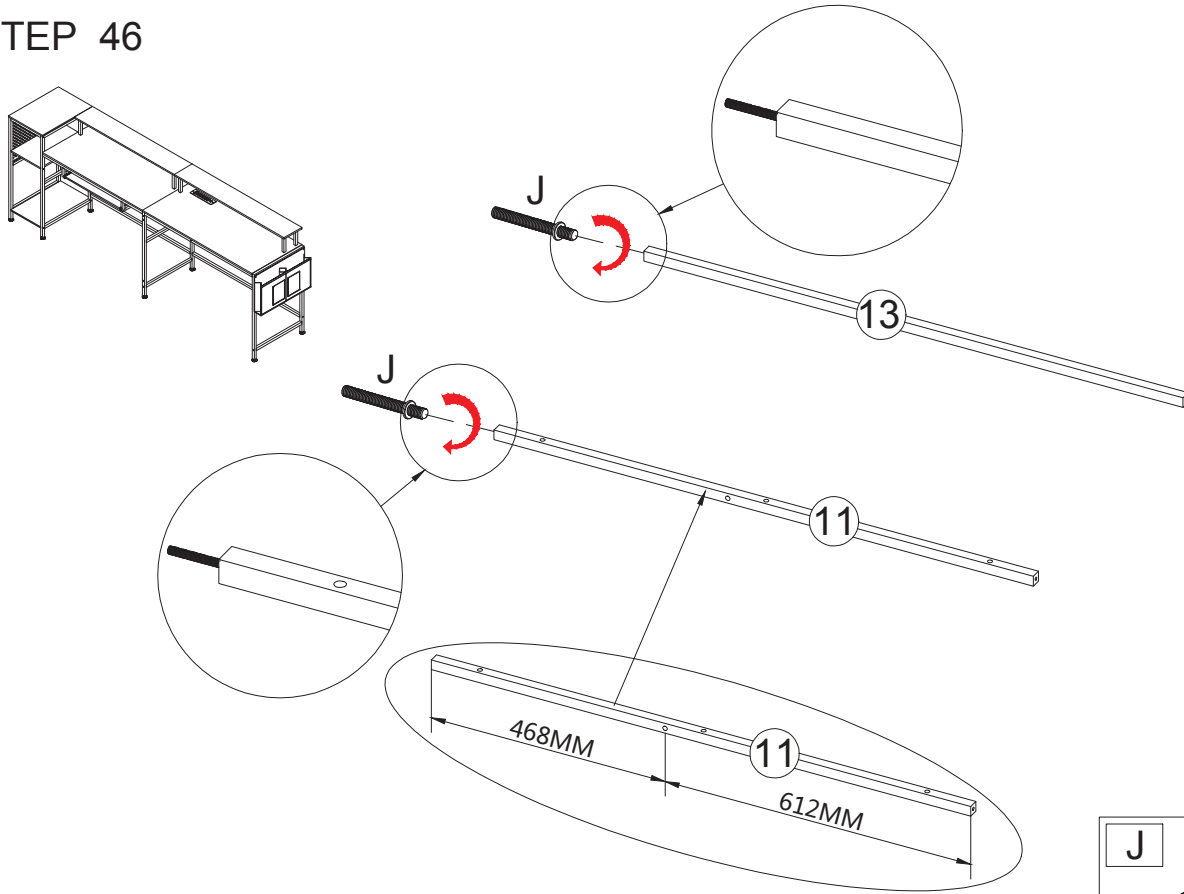
B M6\*28  
X10


## STEP 45



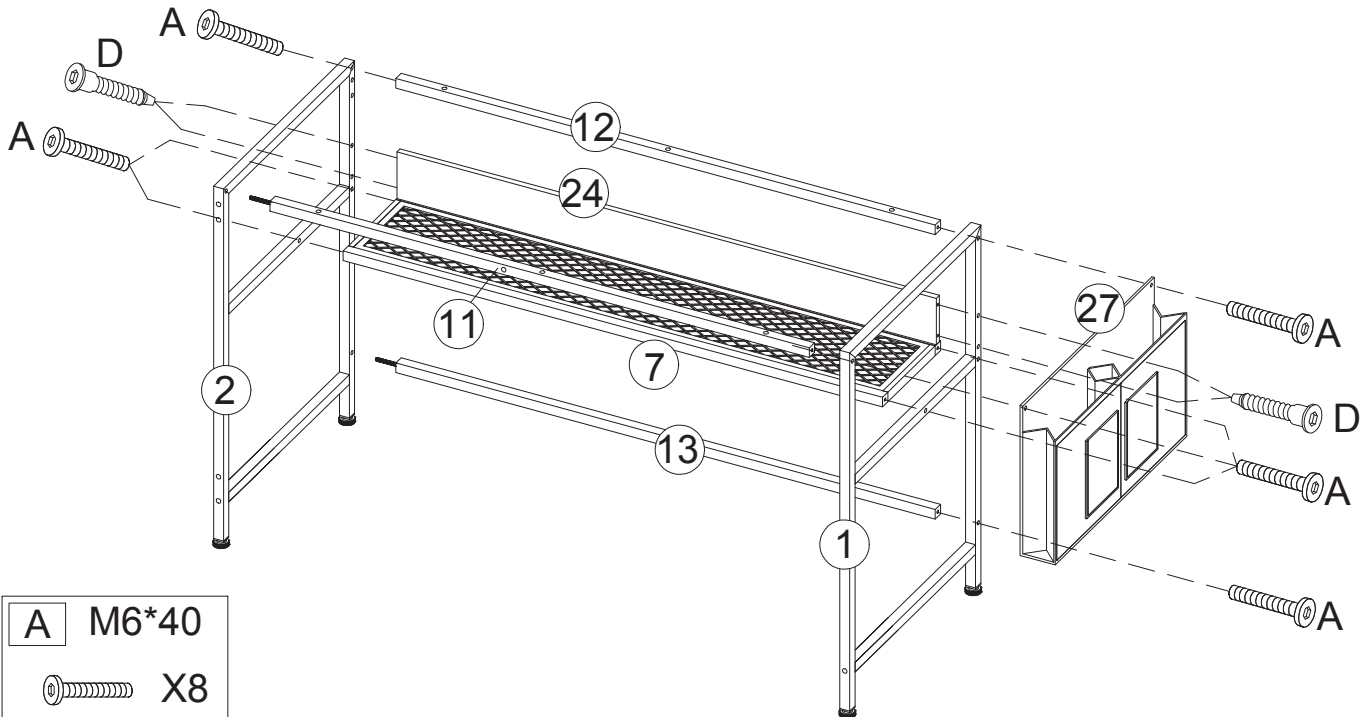
# ASSEMBLY INSTRUCTION


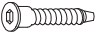
## STEP 46



J	M6*70
	X2

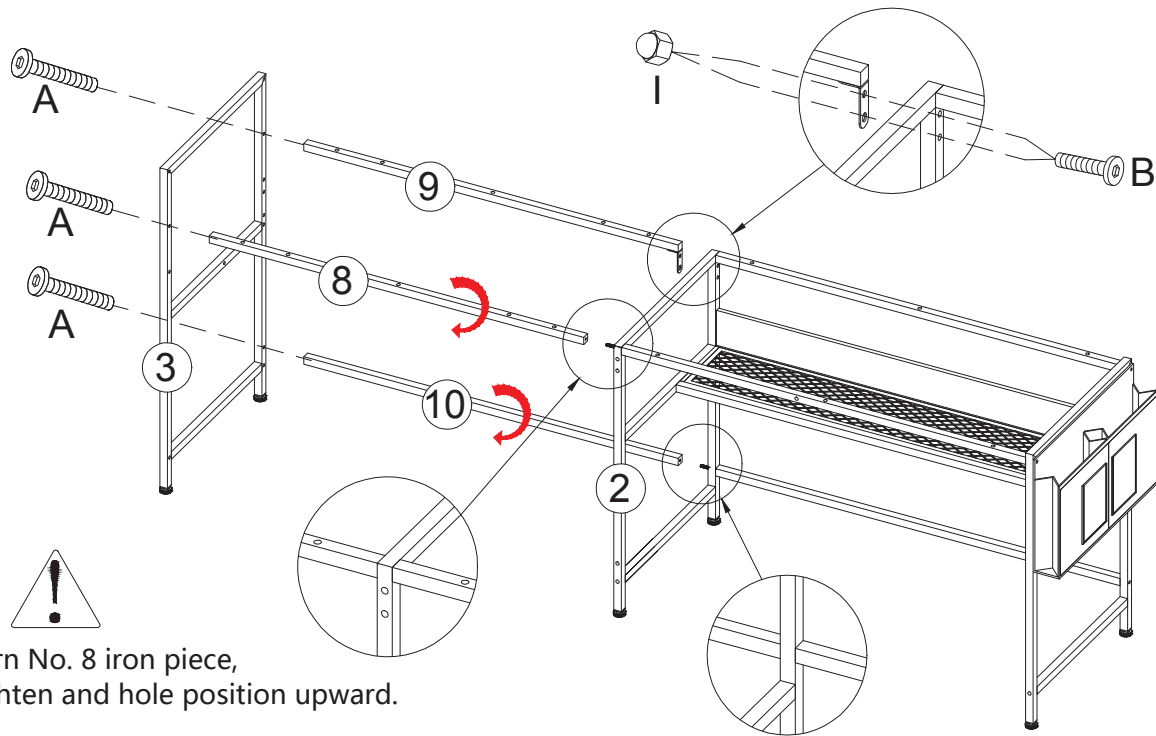
## STEP 47






A	M6*40
	X8
D	M7*50
	X4

# ASSEMBLY INSTRUCTION

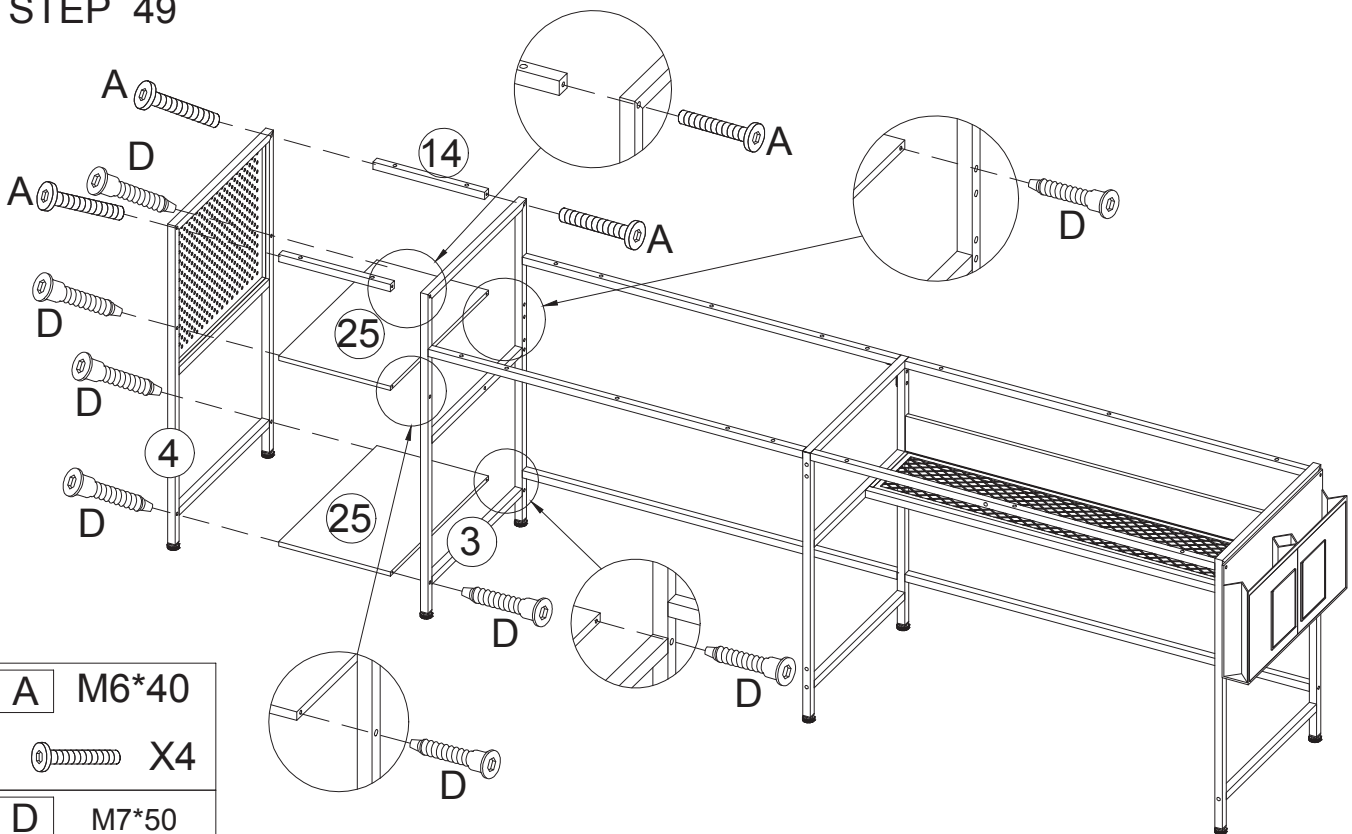
## STEP 48





Turn No. 8 iron piece,  
tighten and hole position upward.

A	M6*40	B	M6*28	I	M6*12
	X3		X2		X2

## STEP 49

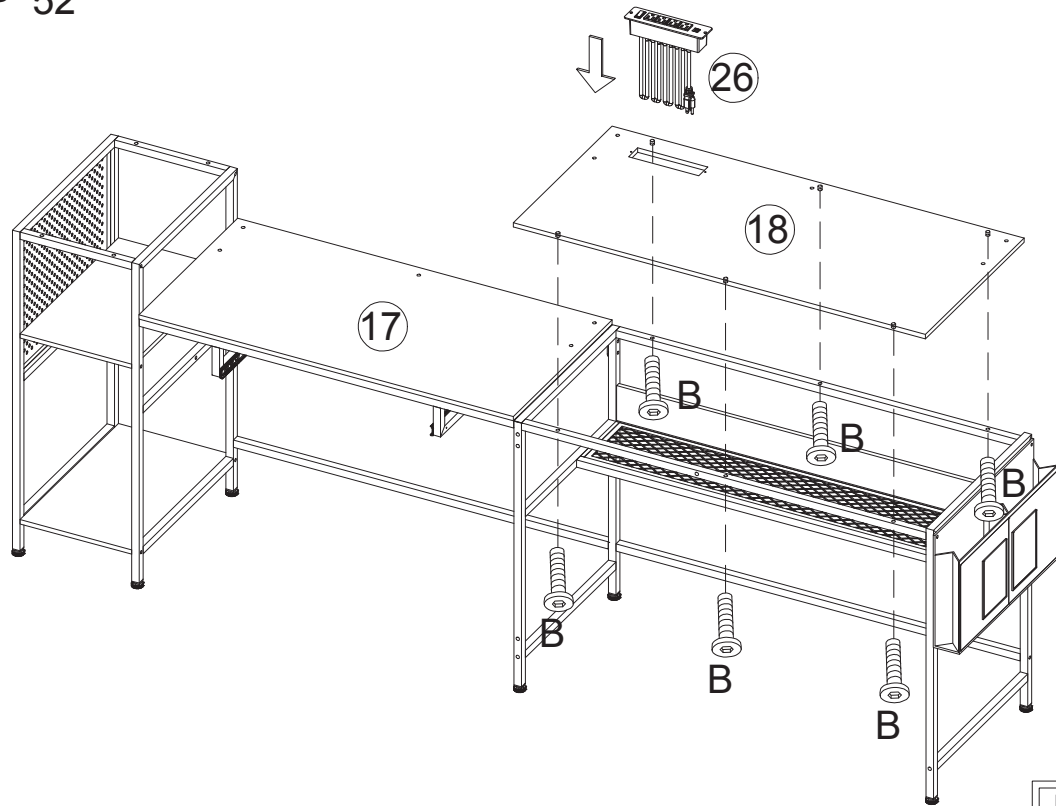


A	M6*40
	X4
D	M7*50
	X8



# ASSEMBLY INSTRUCTION

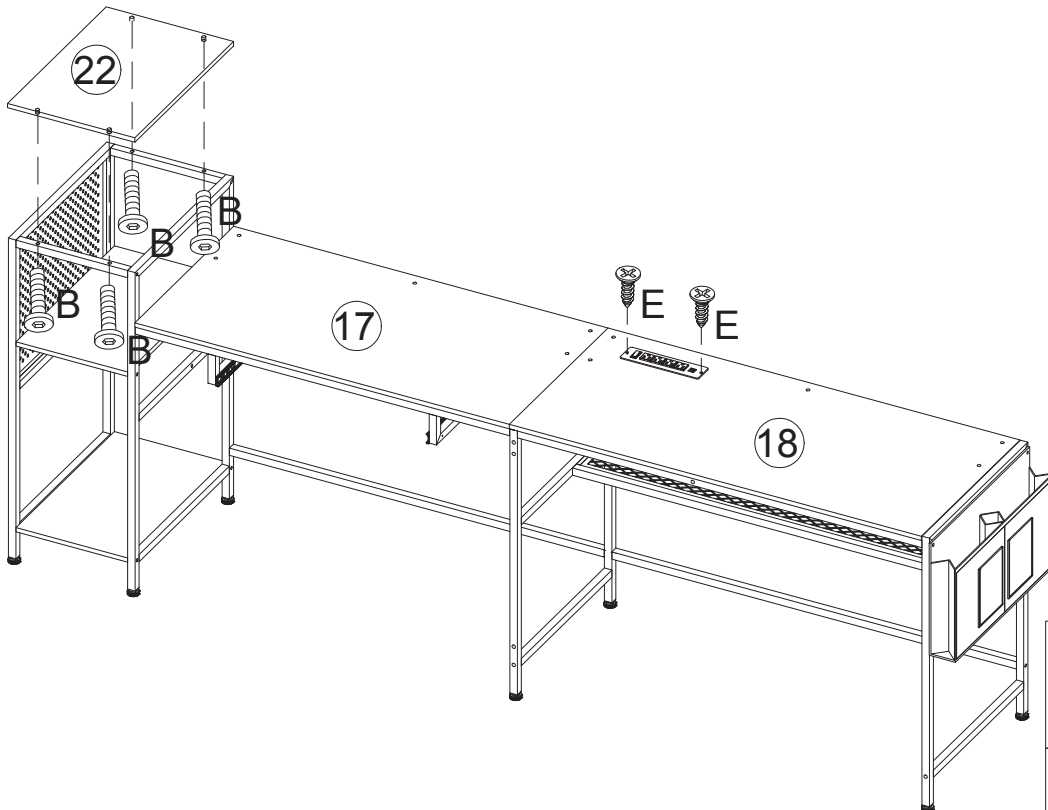
## STEP 52



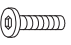
B M6\*28

 X6

## STEP 53



B M6\*28

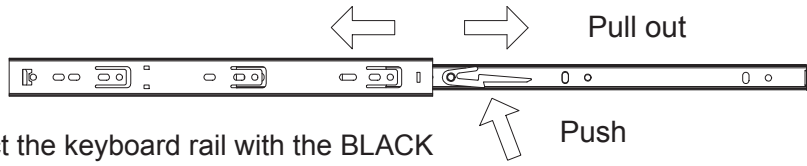
 X4

E M3.5\*12

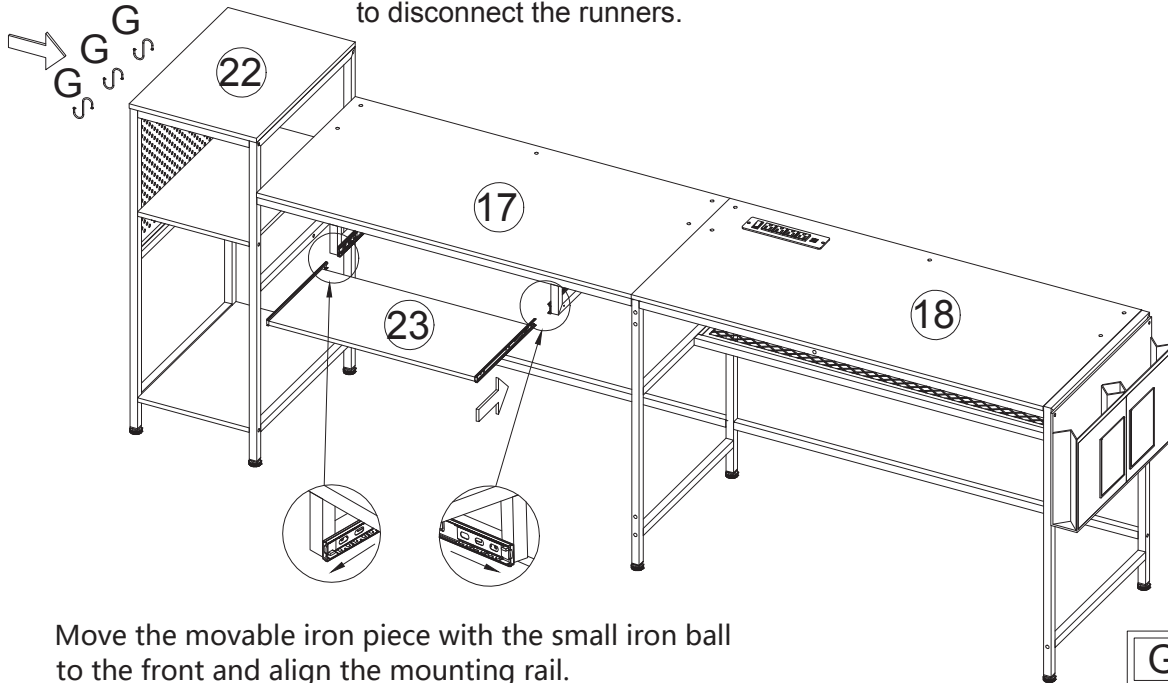
 X2

# ASSEMBLY INSTRUCTION

## STEP 54



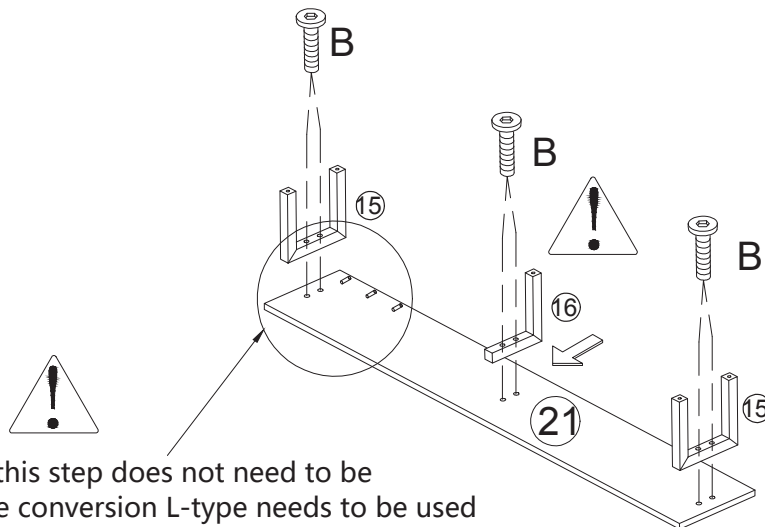
Disconnect the keyboard rail with the BLACK PLASTIC PART. It needs to be pulled down to disconnect the runners.



Move the movable iron piece with the small iron ball to the front and align the mounting rail.

G	1#
	X3

## STEP 55



Side hole this step does not need to be used in the conversion L-type needs to be used

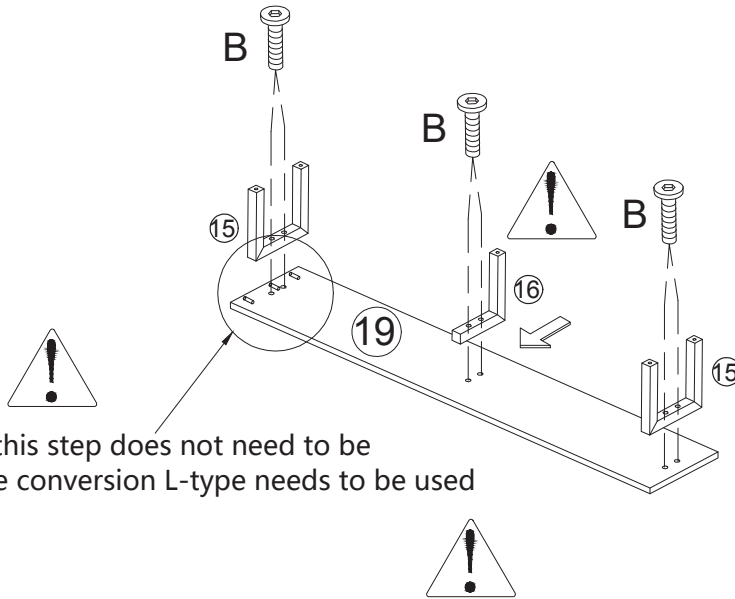


Note the direction of Iron Piece No. 16

B	M6*28
	X12

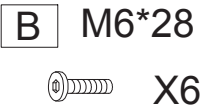
# ASSEMBLY INSTRUCTION

## STEP 56

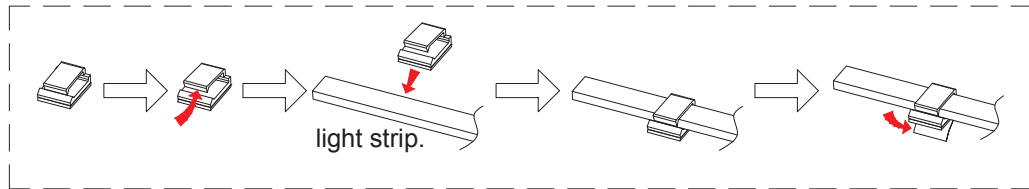


Side hole this step does not need to be used in the conversion L-type needs to be used

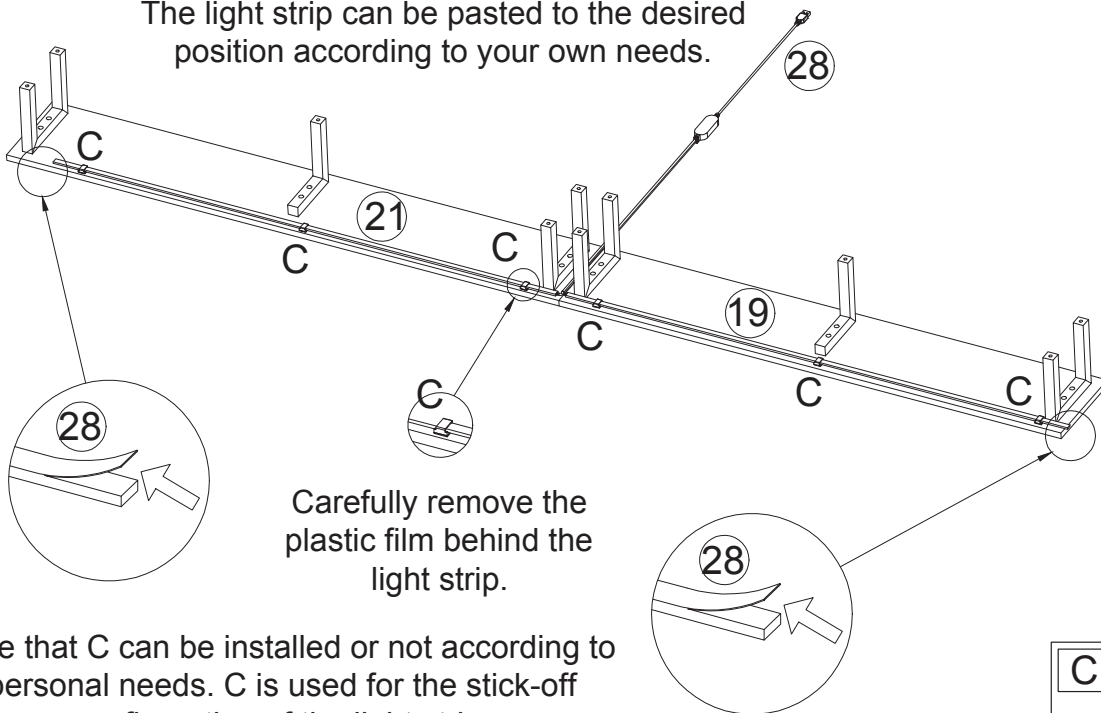
Note the direction of Iron Piece No. 16



## STEP 57

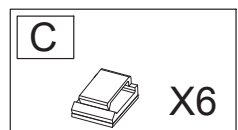


The light strip can be pasted to the desired position according to your own needs.



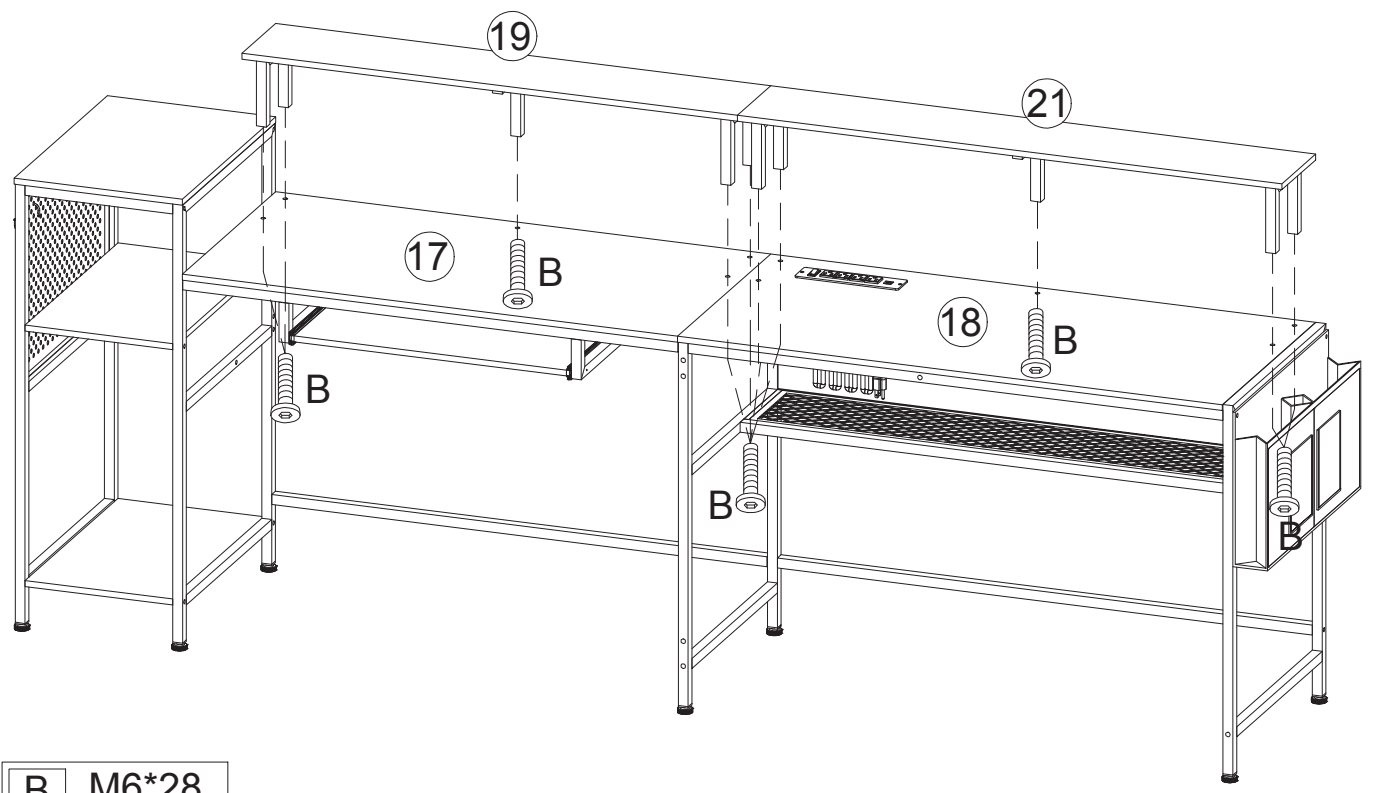
Carefully remove the plastic film behind the light strip.

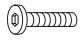
Note that C can be installed or not according to personal needs. C is used for the stick-off configuration of the light strip.



# ASSEMBLY INSTRUCTION

## STEP 58



B	M6*28
	X10

## STEP 59

