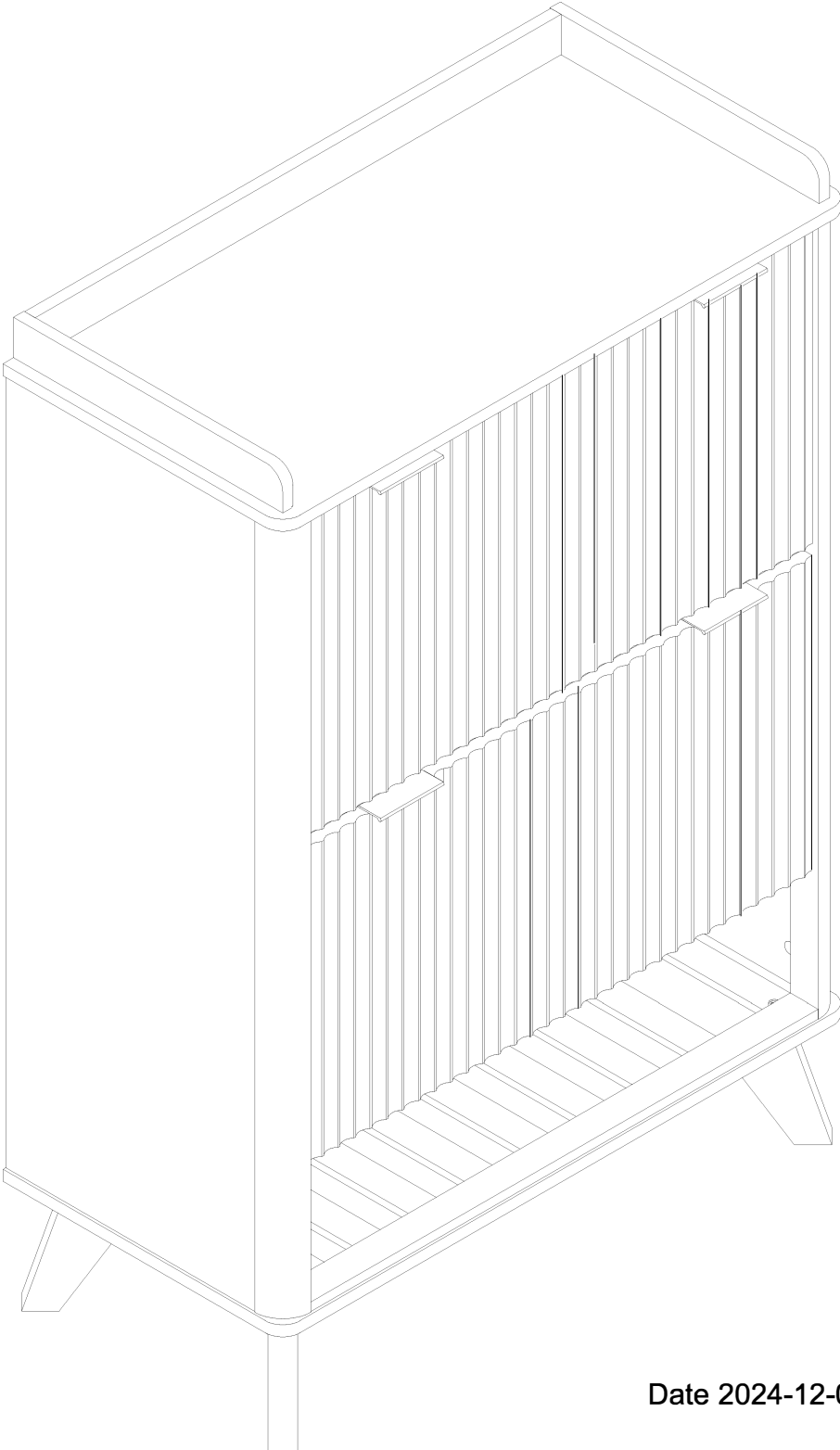


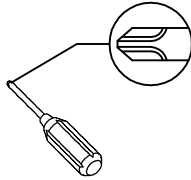
Assembly Instructions



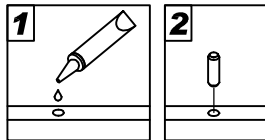
Date 2024-12-05 Rev.01-A

General Assembly Guidelines

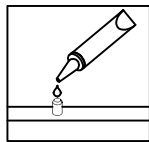
- I. Ensure that all parts and hardware are available before beginning assembly.
- II. Follow each step carefully to ensure the proper assembly of this product.
- III. Two people are recommended for ease in the assembly of this product.
- IV. A Phillips head screwdriver is required for the assembly of this product .



- V. The provided glue is to secure wood dowels in place . When first inserting dowels , locate the appropriate hole for the dowel , place a small amount of glue in the hole and insert the dowel . Wipe away excess glue immediately.

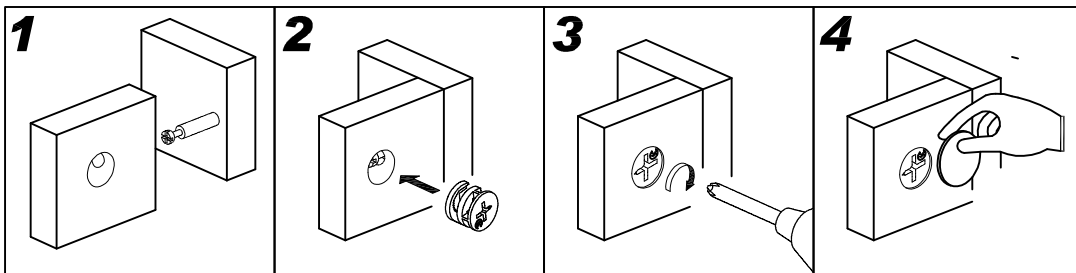


In future assembly steps when dowels are necessary to attach assembly parts together , place a small amount of glue on the end of the dowel before attaching parts together . Wipe away excess glue immediately.

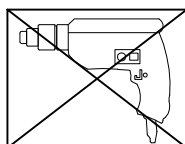


VI HOW THE KNOCK DOWN (KD) ASSEMBLY SYSTEM WORKS

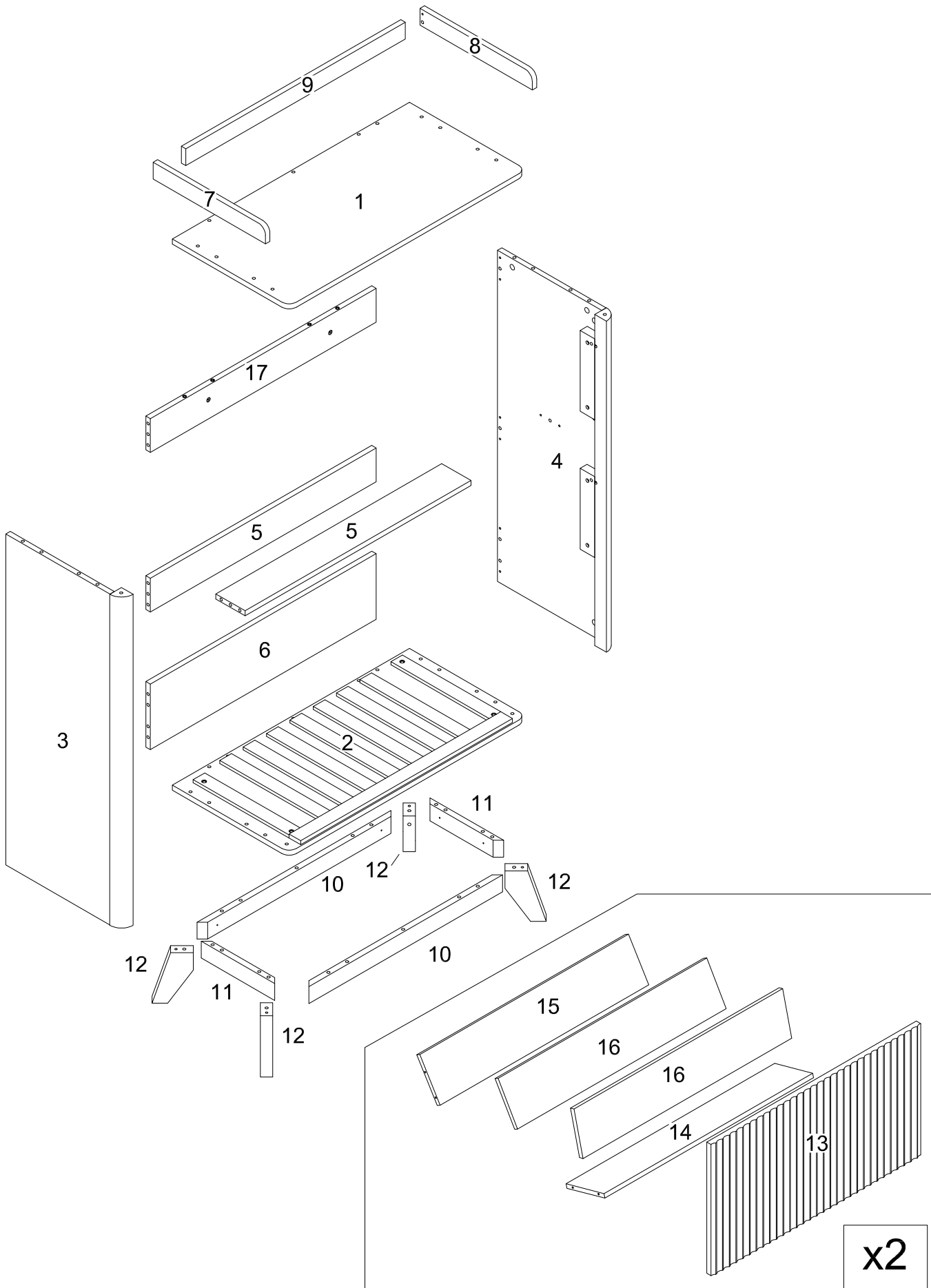
- 1.Screw the Cam Bolt into the pre-drilled hole on the panel. Make sure Cam Bolt goes into the pre-drilled hole on the end of panel for Cam Lock.
- 2.Insert the Cam Lock into the pre-drilled large hole on the panel. Make sure the arrow on the face of Cam Lock points towards Cam Bolt.
- 3.Take a Phillips screwdriver and rotate the Cam Lock clockwise to lock the Cam Bolt.
- 4.Use the sticker to conceal the Cam.



- VII. Power tools should not be used to assemble this product .


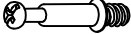





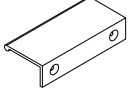
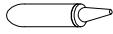

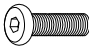
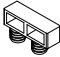







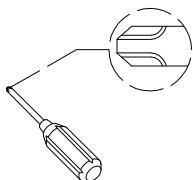
Parts List



x2

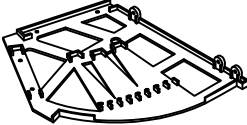
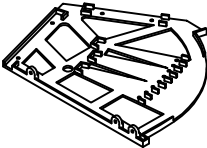
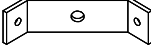
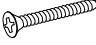



Hardware List

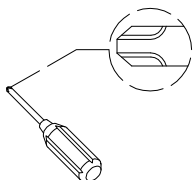
A		Ø8x30mm	Dowel	46 pcs
B		Ø6x35mm	Cam bolt	24 pcs
C		Ø15x11mm	Long cam lock	24 pcs
D		Ø30mm	Cam cover	24 pcs
E		Ø5x15mm	Screw	8 pcs
F		1/4"x50mm	Bolt	10 pcs
G		M4	Allen Wrench	1 pc
H			Handle	4 pcs
I			Glue tube	1 pc
J		Ø6x50mm	Bolt	11 pcs
K		1/4"x28mm	Bolt	4 pcs
L			Stopper	4 pcs
M		Ø3x14mm	Flat-head screw	8 pcs
N		Ø3.5x18mm	Screw	28 pcs
O			Spacer	4 pcs
P			Plastic Nut	4 pcs
Q		Ø4x10mm	Screw	4 pcs



Philips head screwdriver required for assembly
(not included)

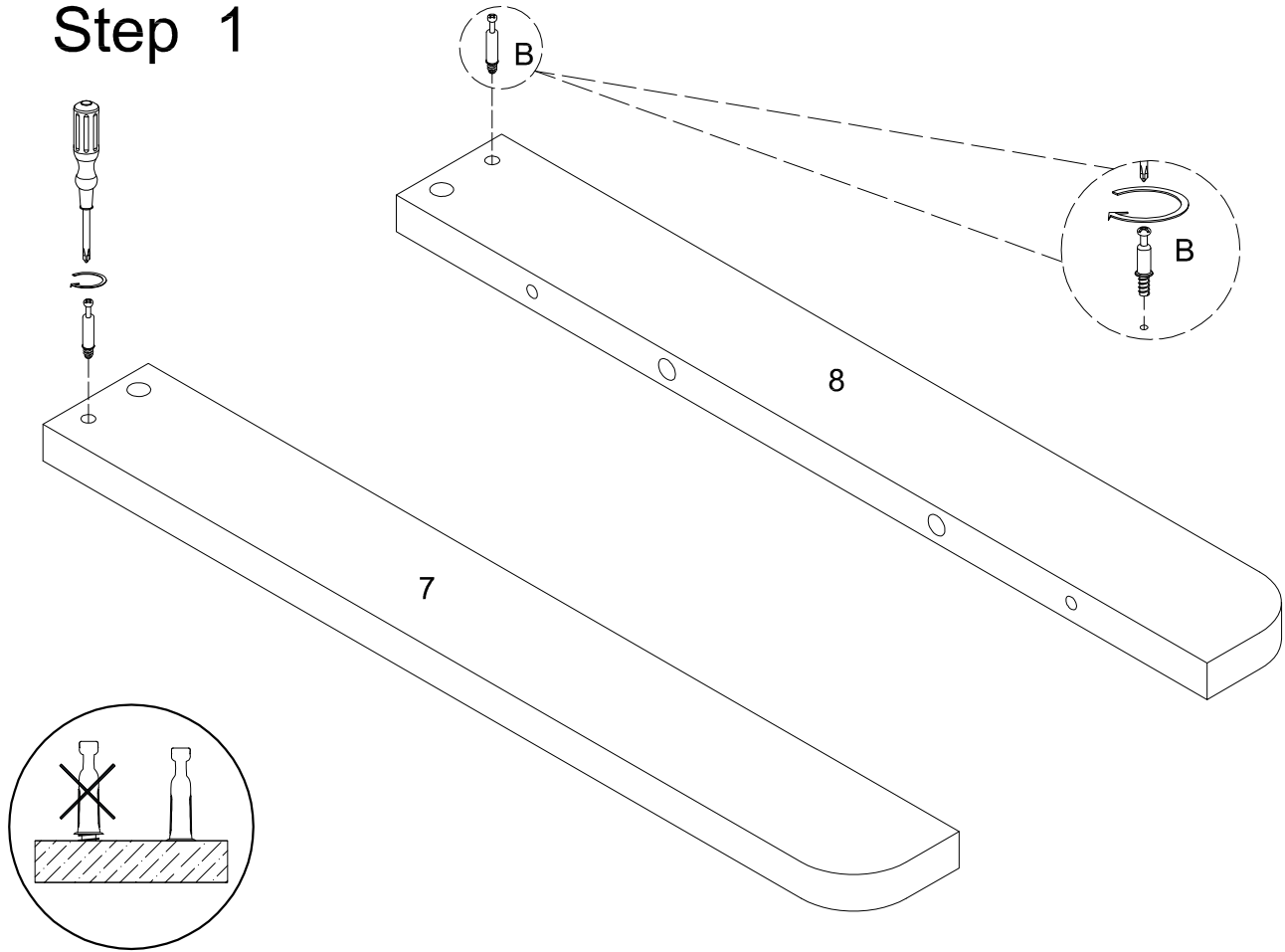
Hardware List

R			Left Shoe Cubby Bracket	2 pcs
S			Right Shoe Cubby Bracket	2 pcs
T			Metal Bracket	4 pcs
U		Ø4*38mm	Screw	7 pcs
V		Ø4x60mm	Screw	2 pcs
W		Ø7x30mm	Nut	2 pcs
X		Ø13x1mm	Washer	2 pcs

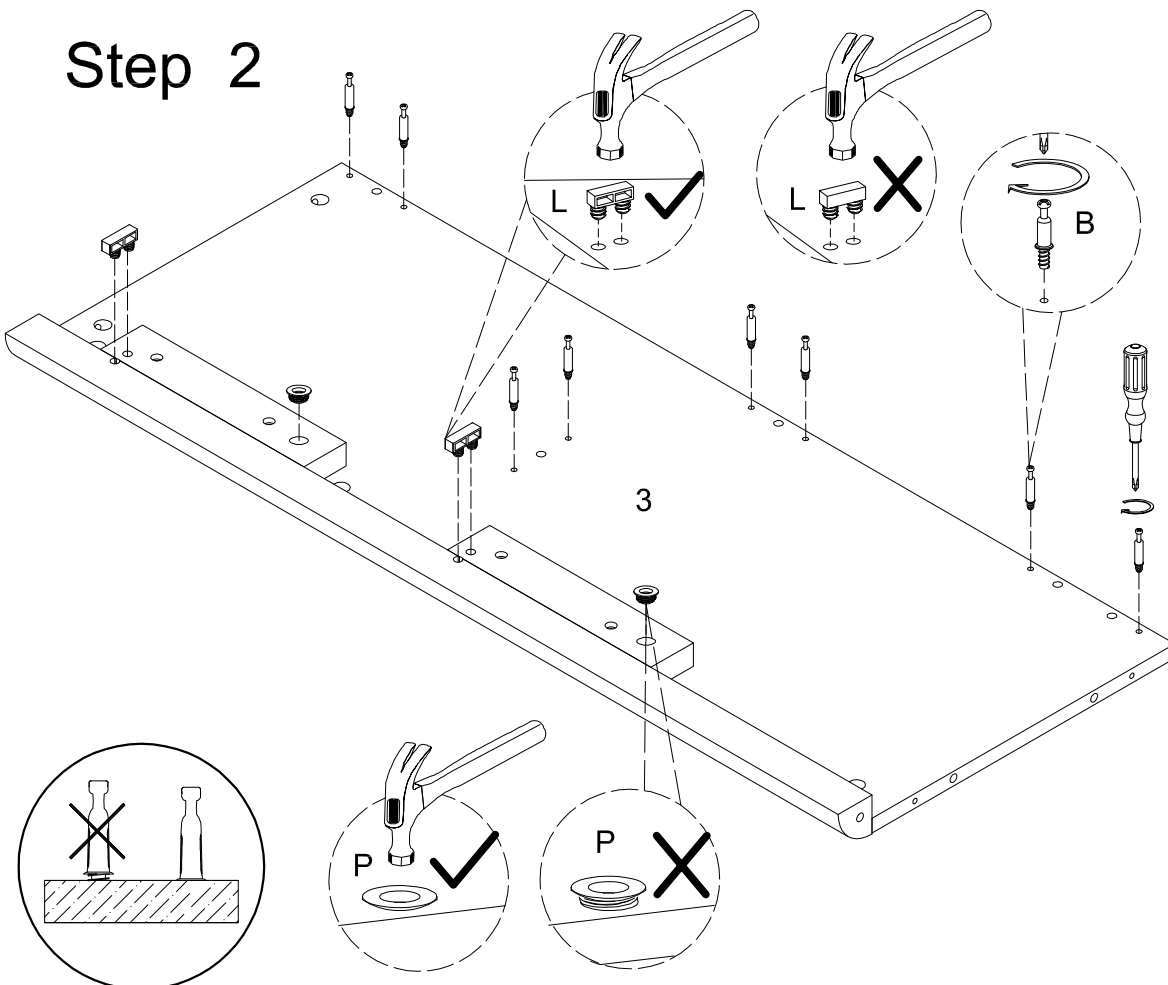


Philips head screwdriver required for assembly
(not included)

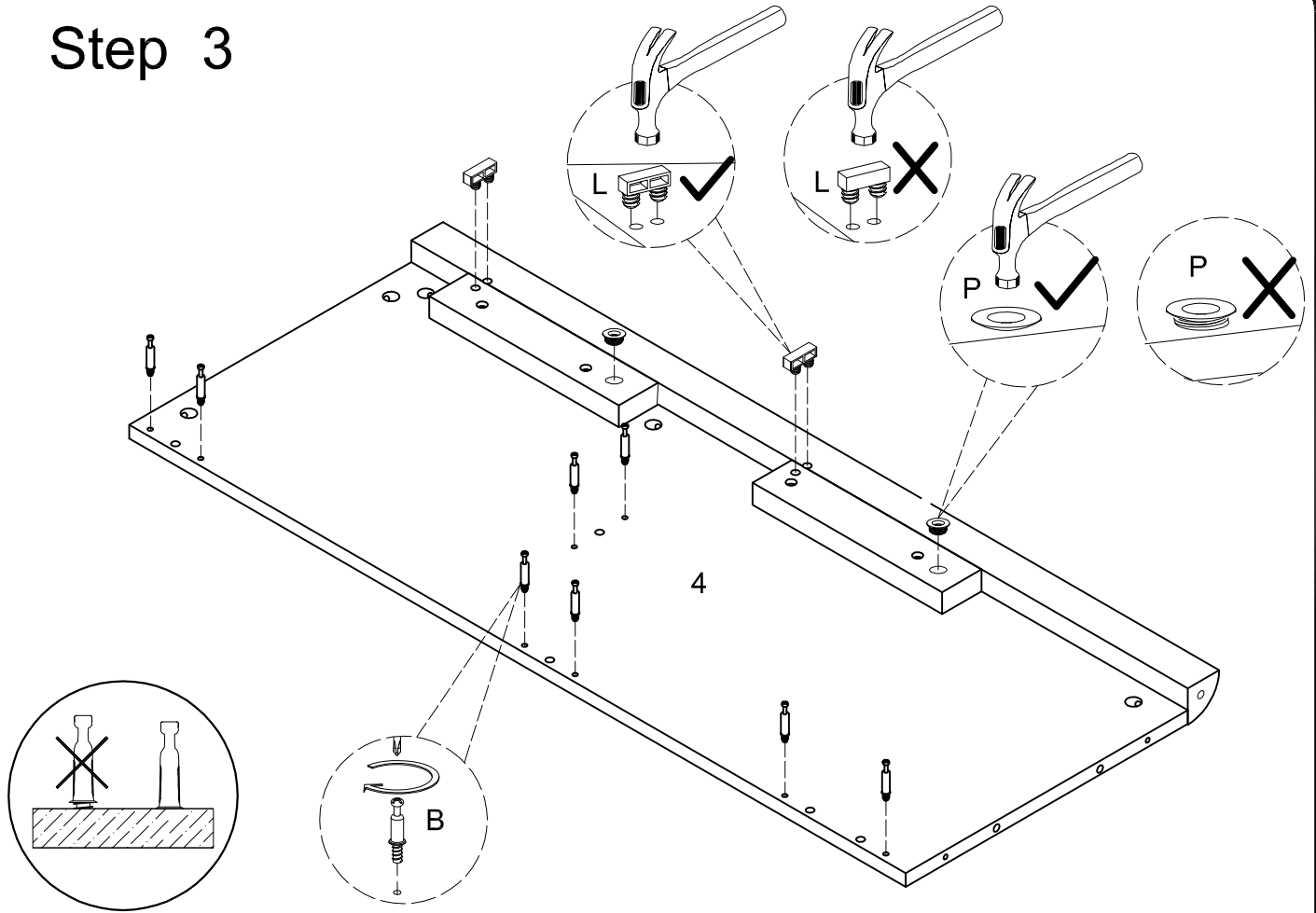
Step 1



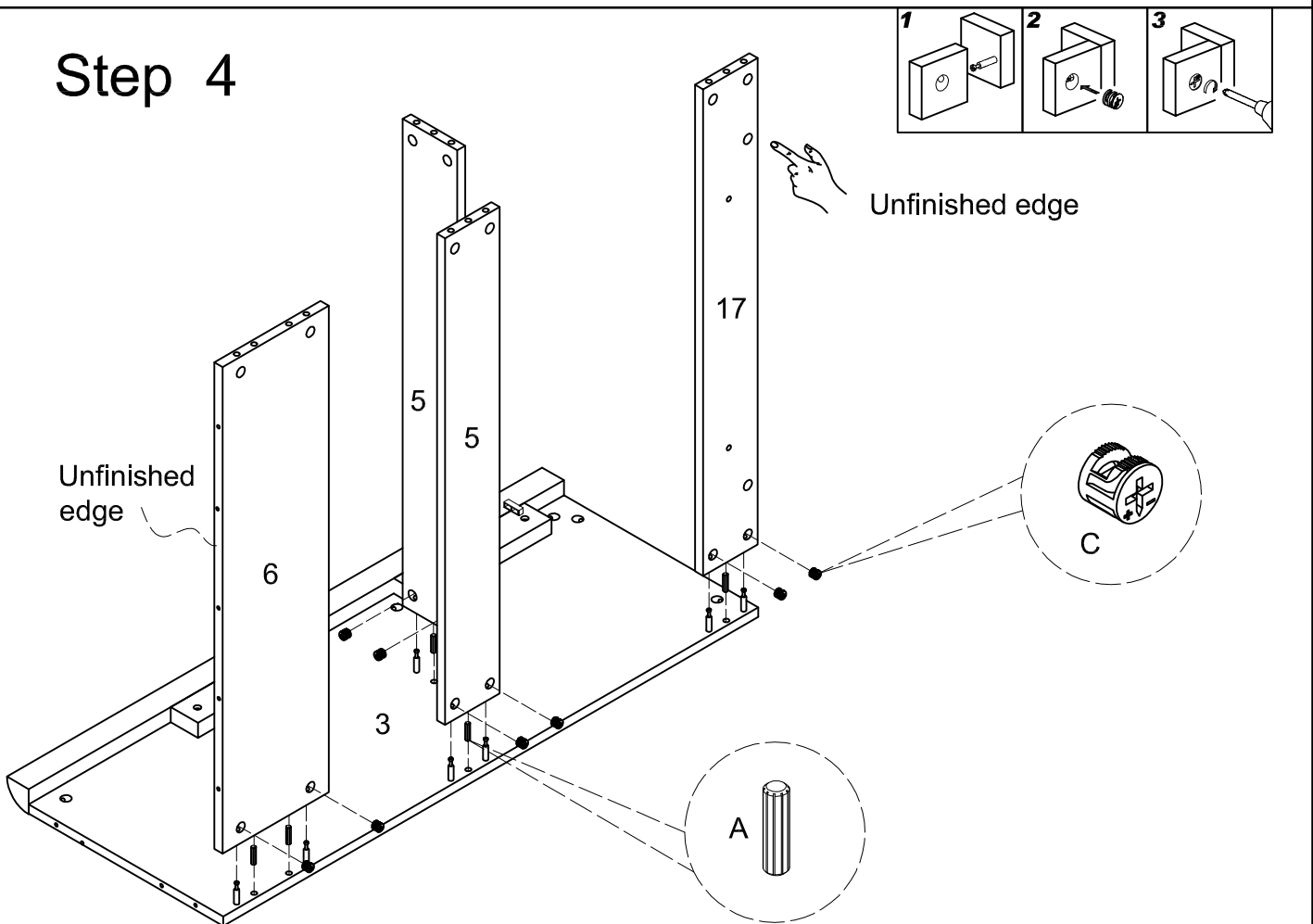
Step 2



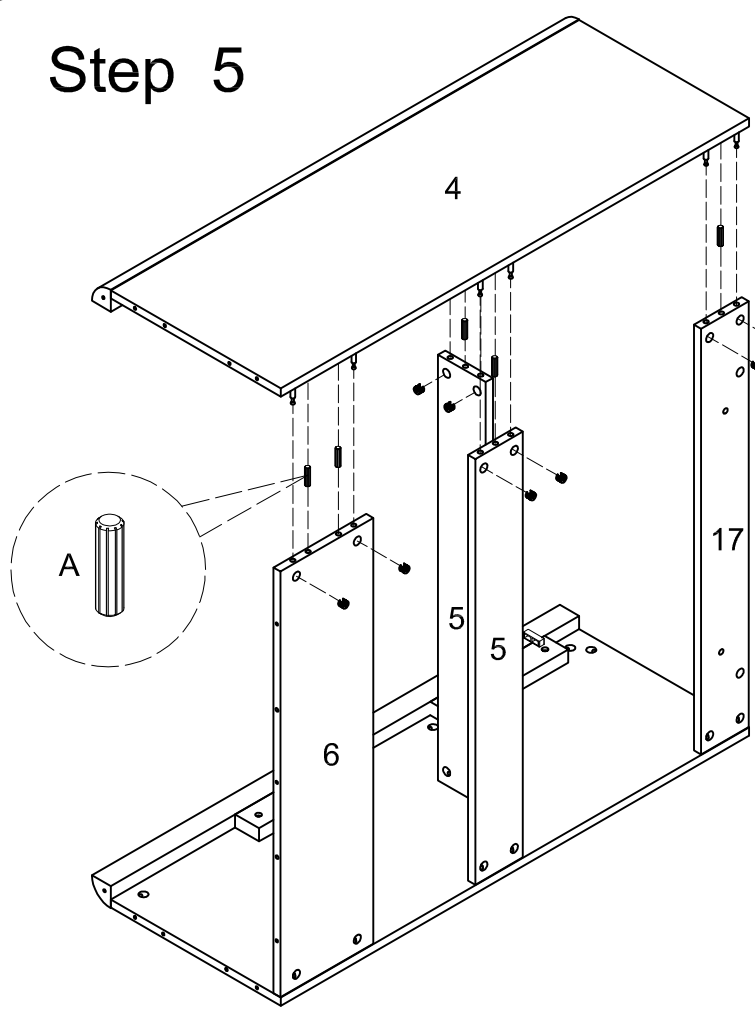
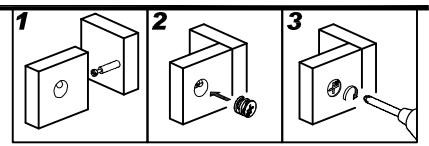
Step 3



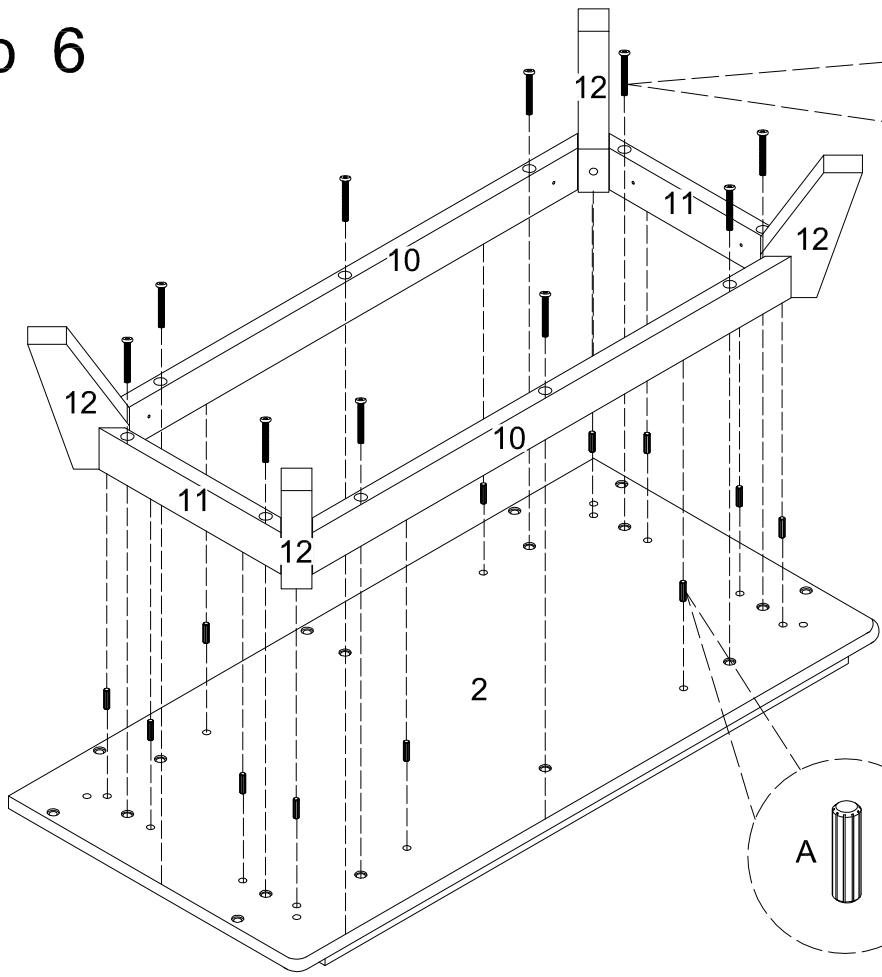
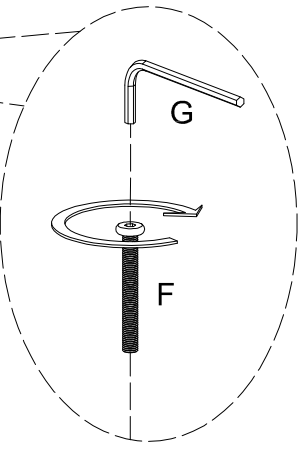
Step 4



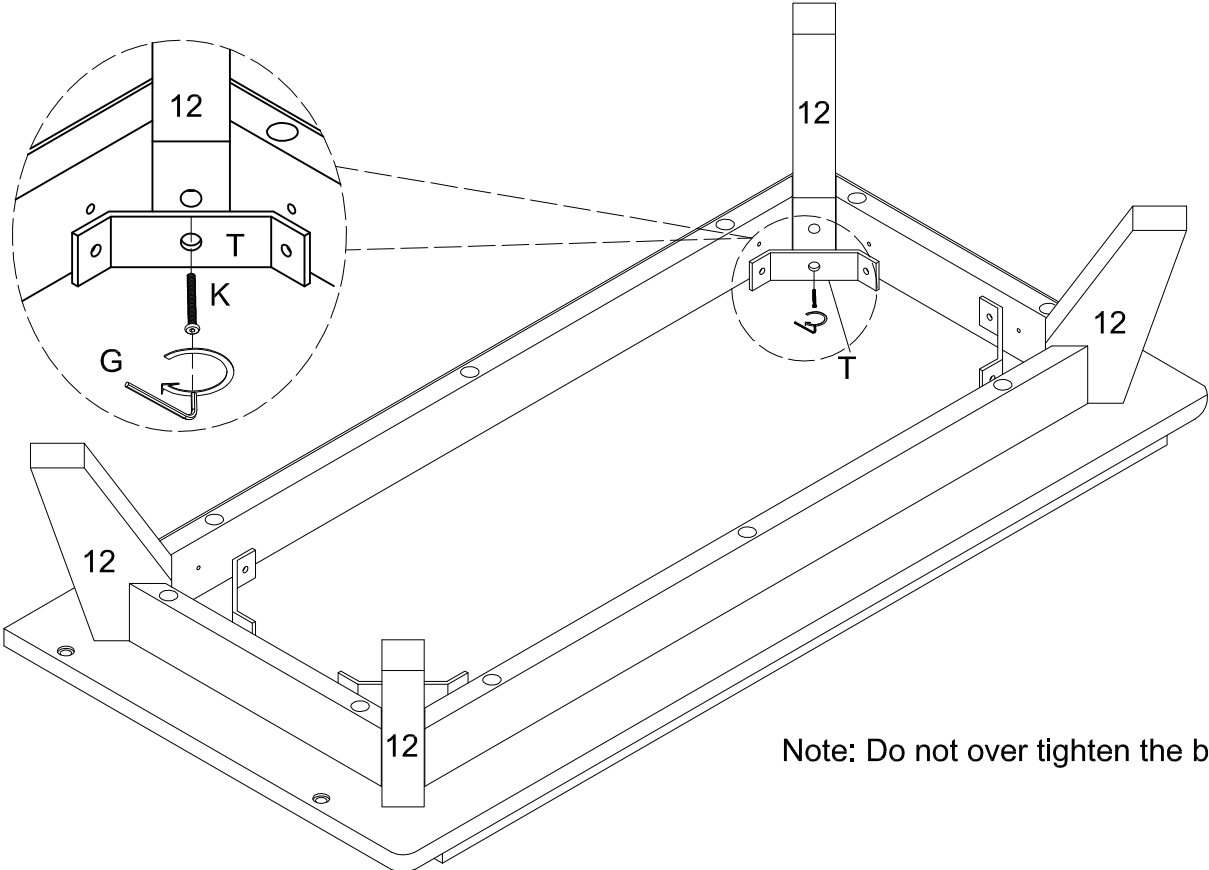
Step 5



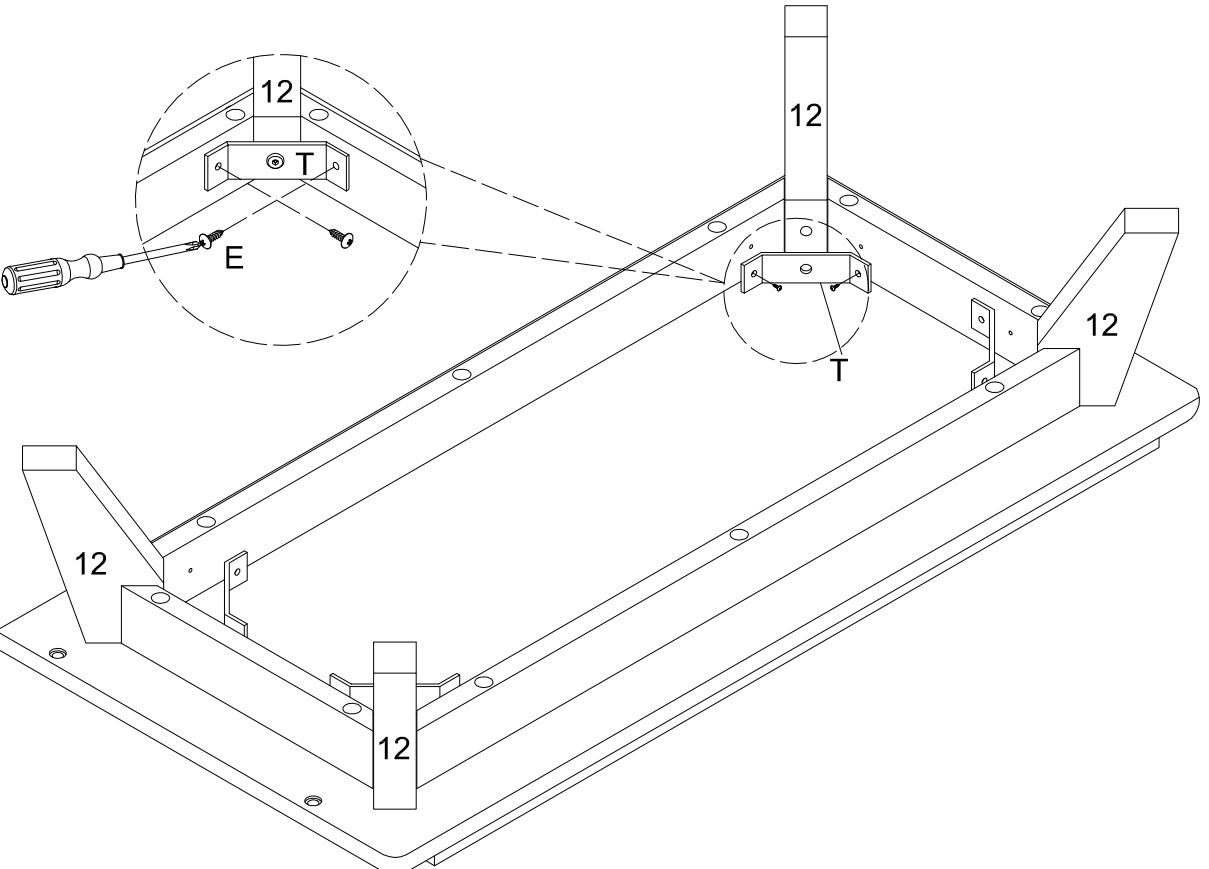
Step 6



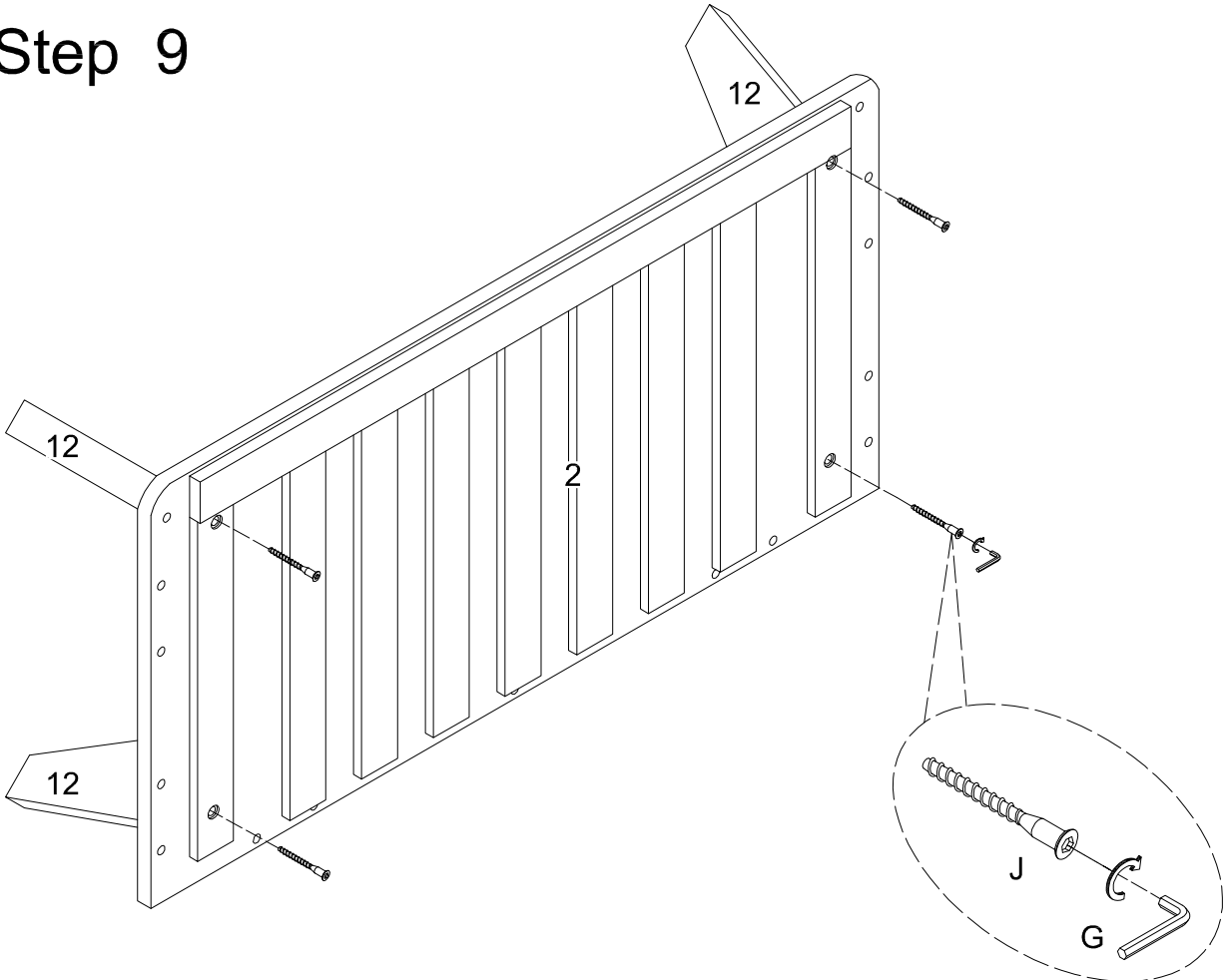
Step 7



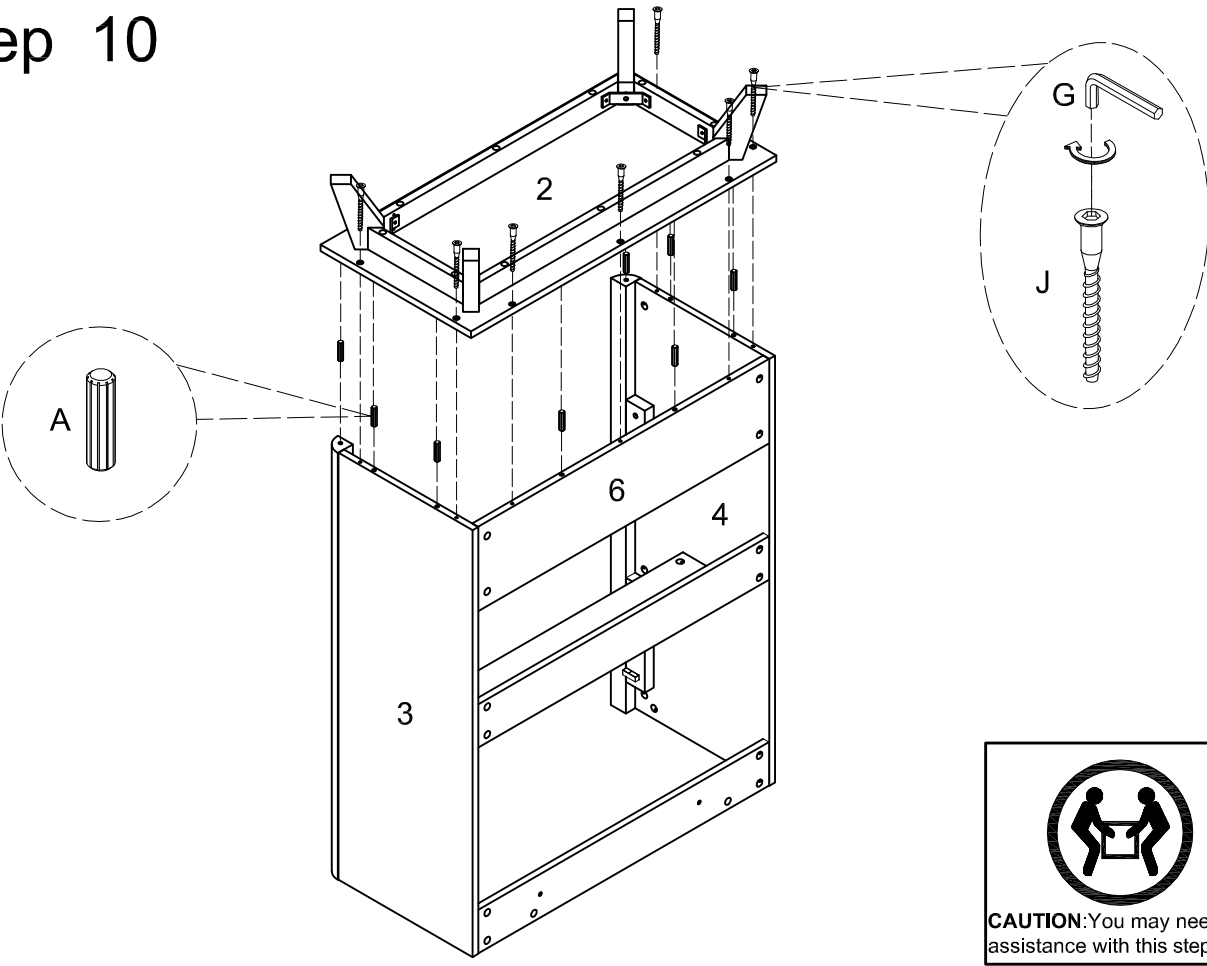
Step 8



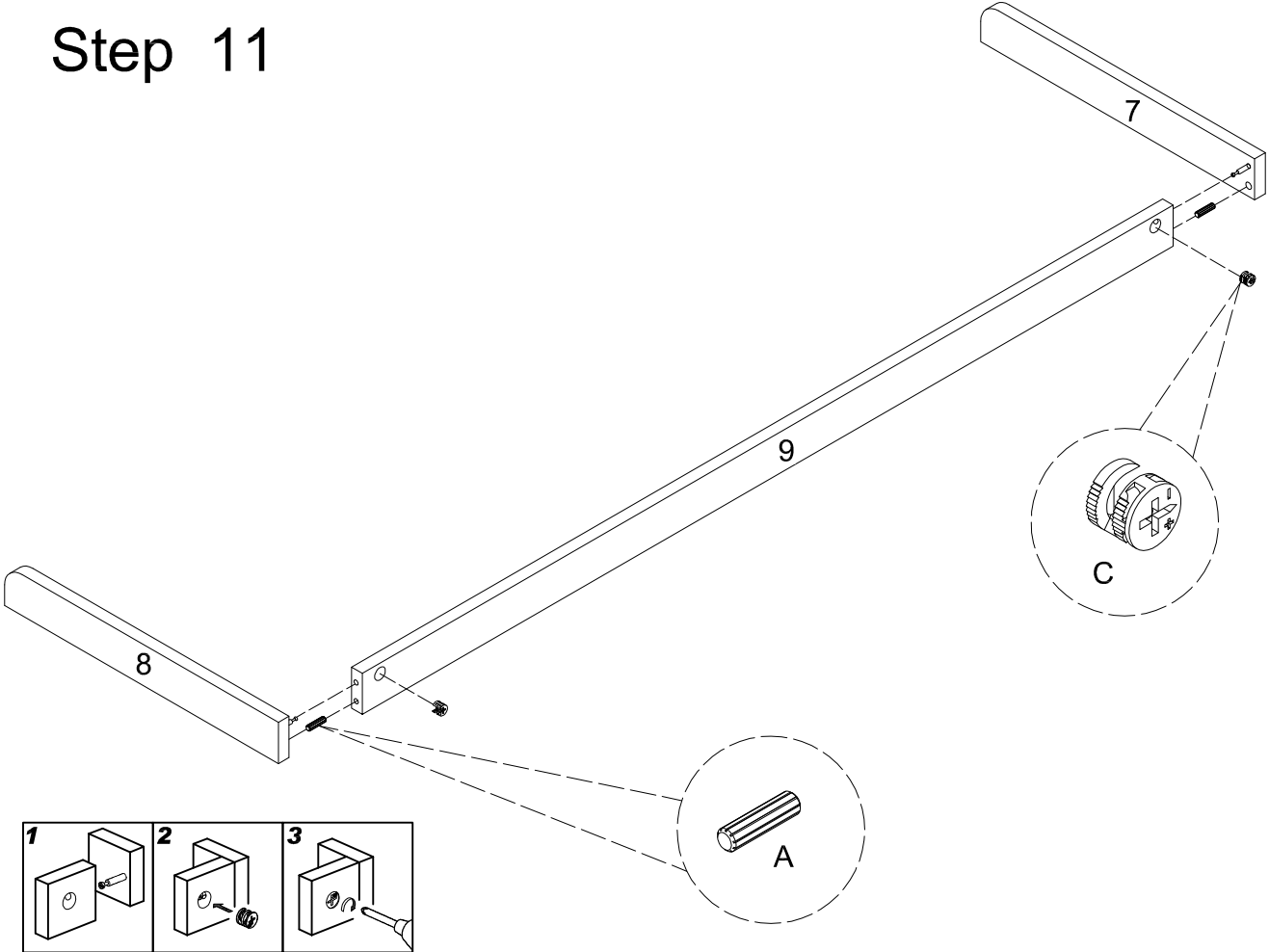
Step 9



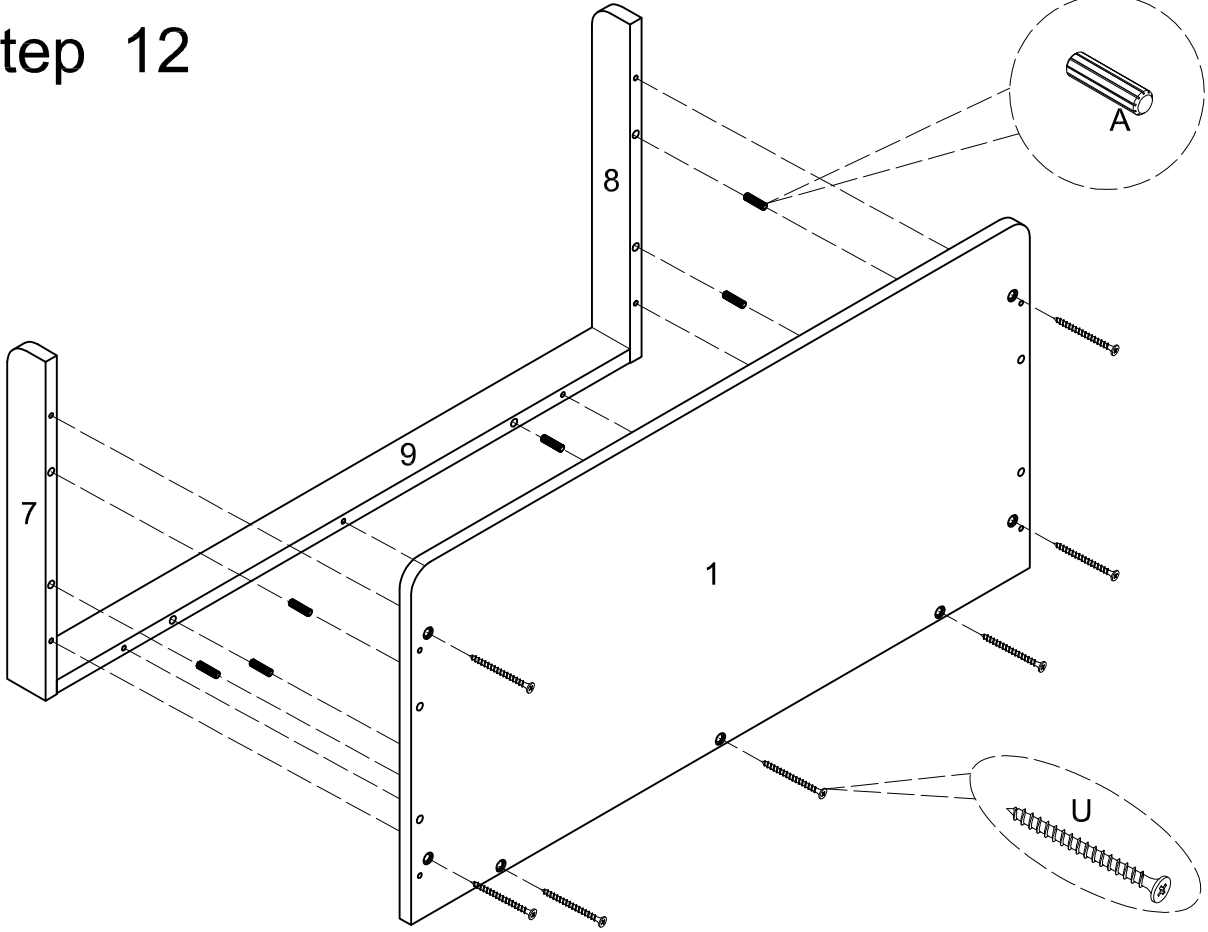
Step 10



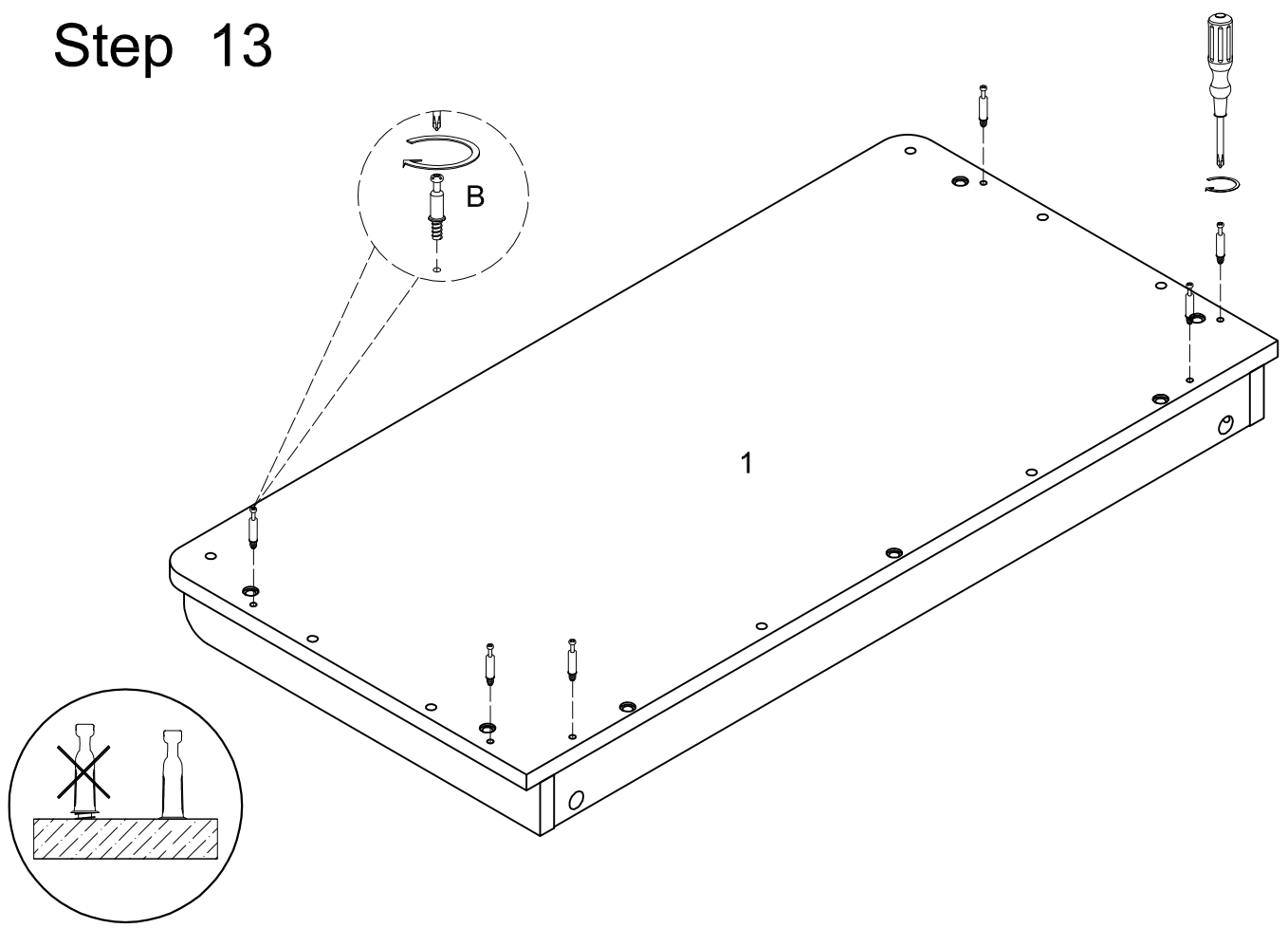
Step 11



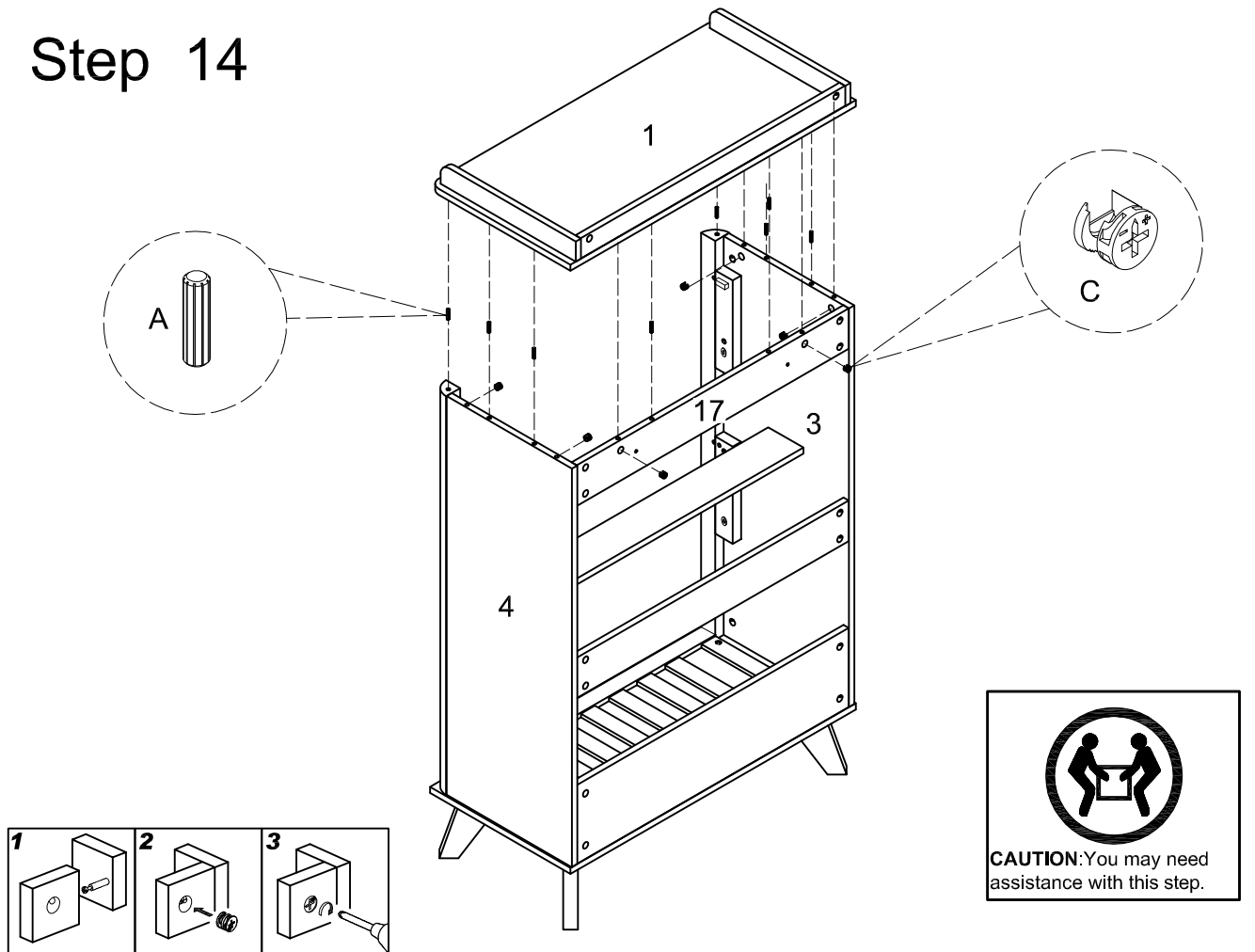
Step 12



Step 13



Step 14

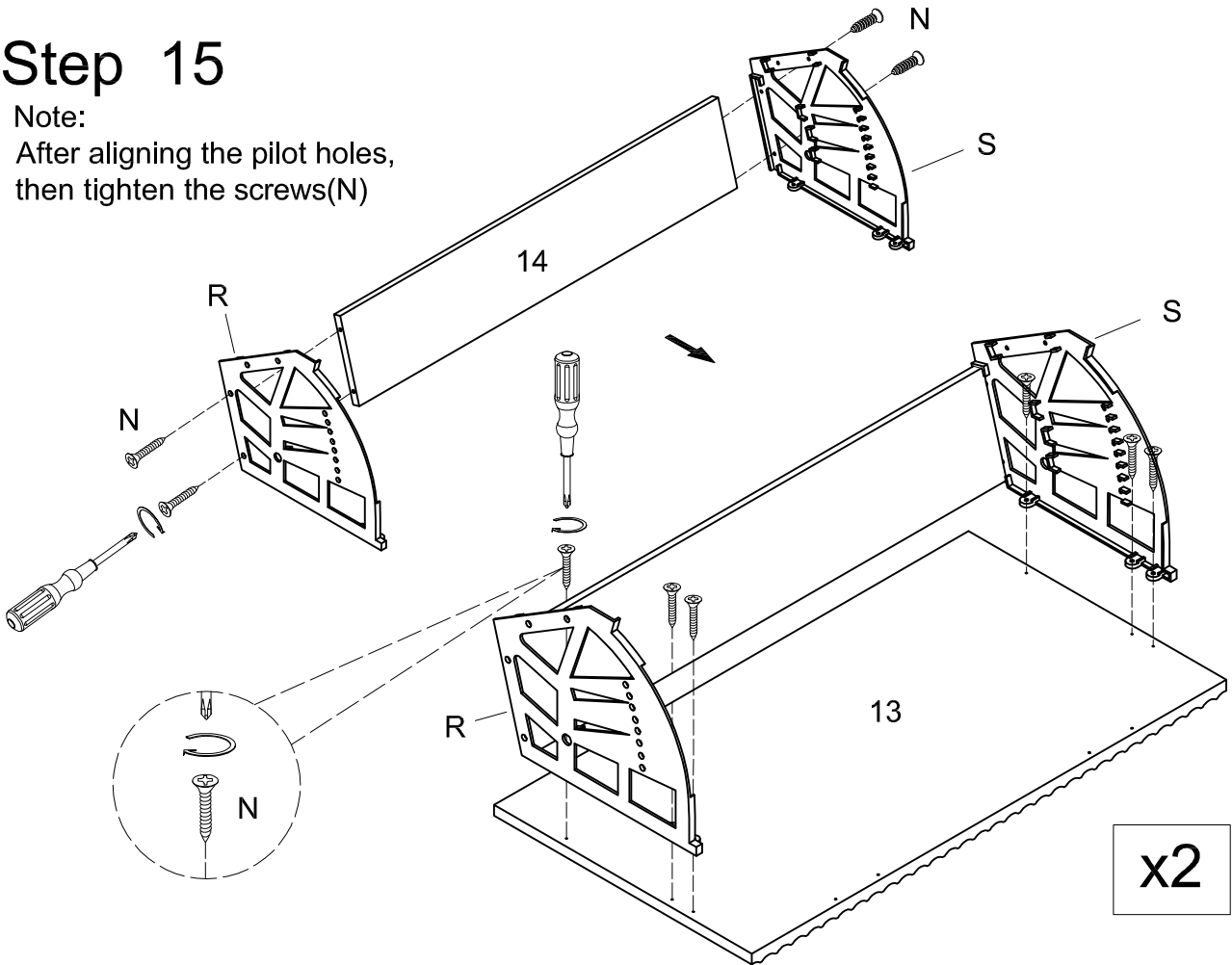



CAUTION: You may need assistance with this step.

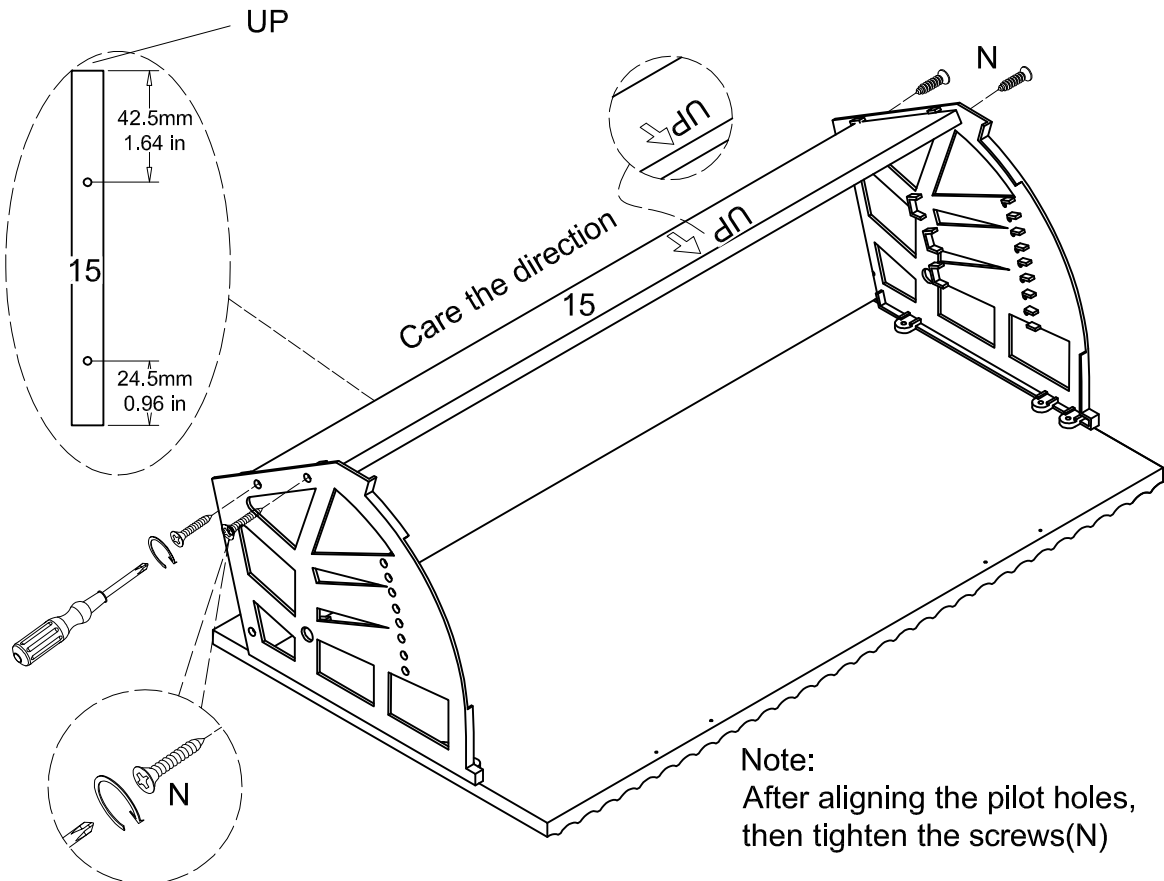
Step 15

Note:

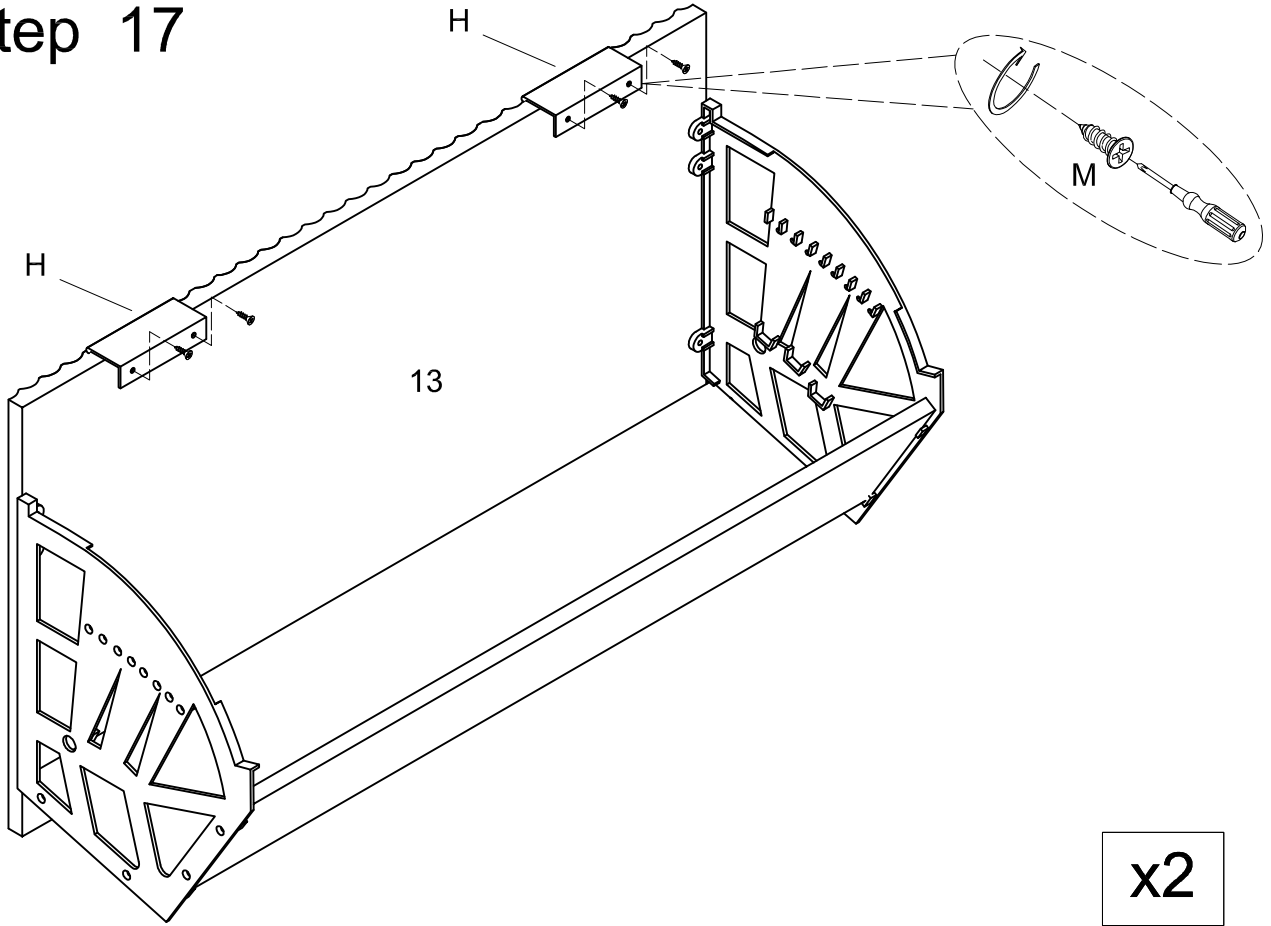
After aligning the pilot holes, then tighten the screws(N)



Step 16

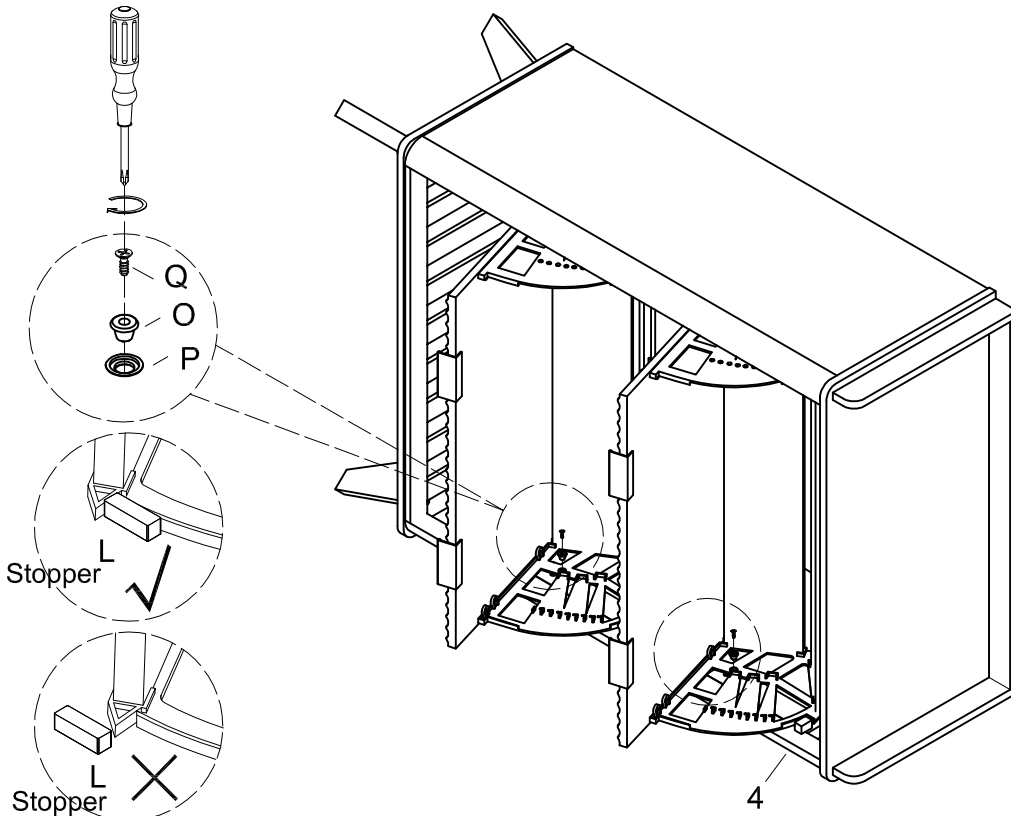


Step 17



Step 18

The holes in the Bracket (S) line up with those in Side Panels (4),
Insert Plastic Spacers (O) through the holes and secure with screw (Q)

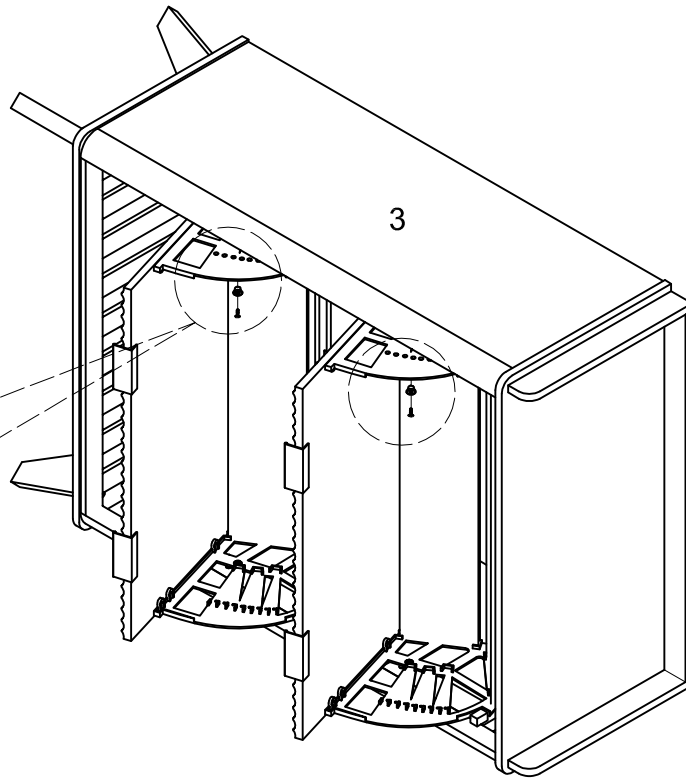
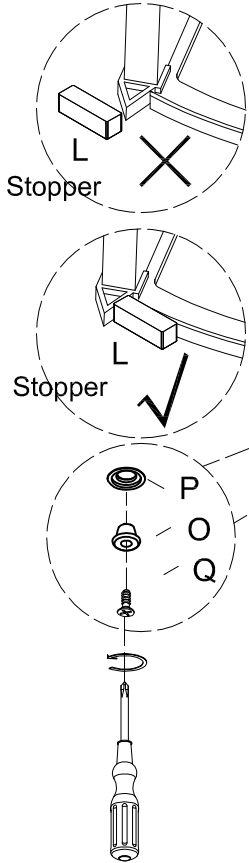


Note: Do not over tighten the screw



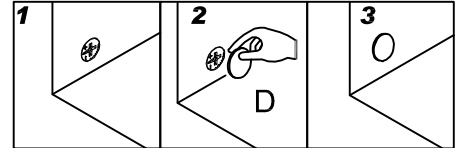
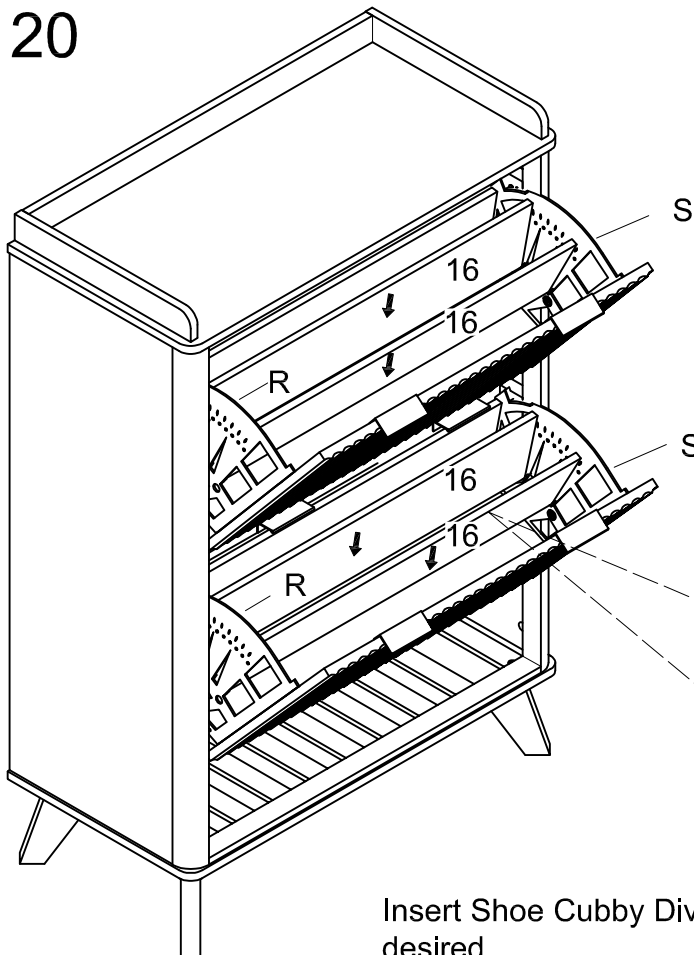
Step 19

The holes in the Bracket (R) line up with those in Side Panels (3), Insert Plastic Spacers (O) through the holes and secure with screw (Q)



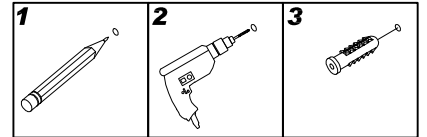
Note: Do not over tighten the screw

Step 20

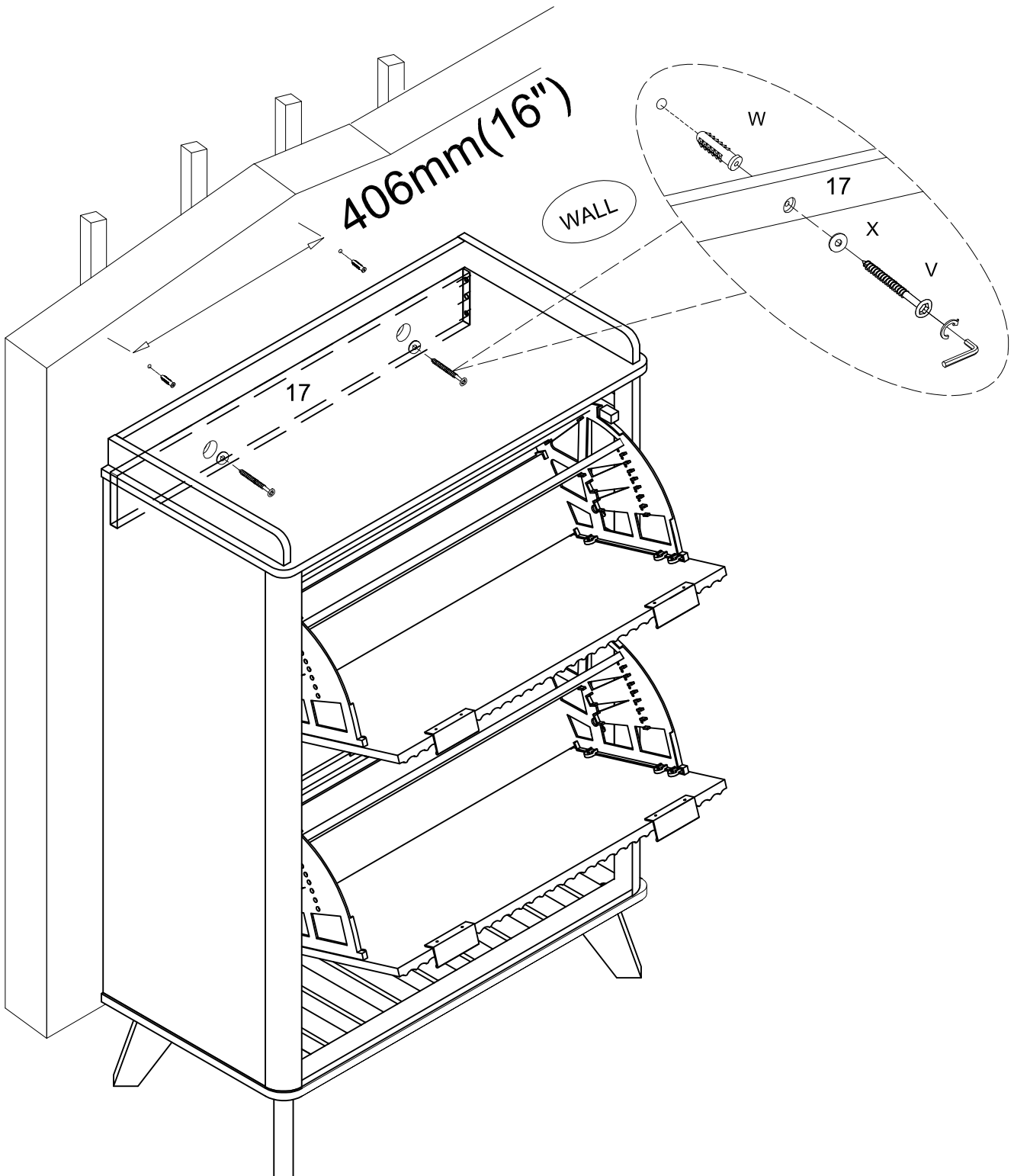


Insert Shoe Cubby Dividers into the slot you desired

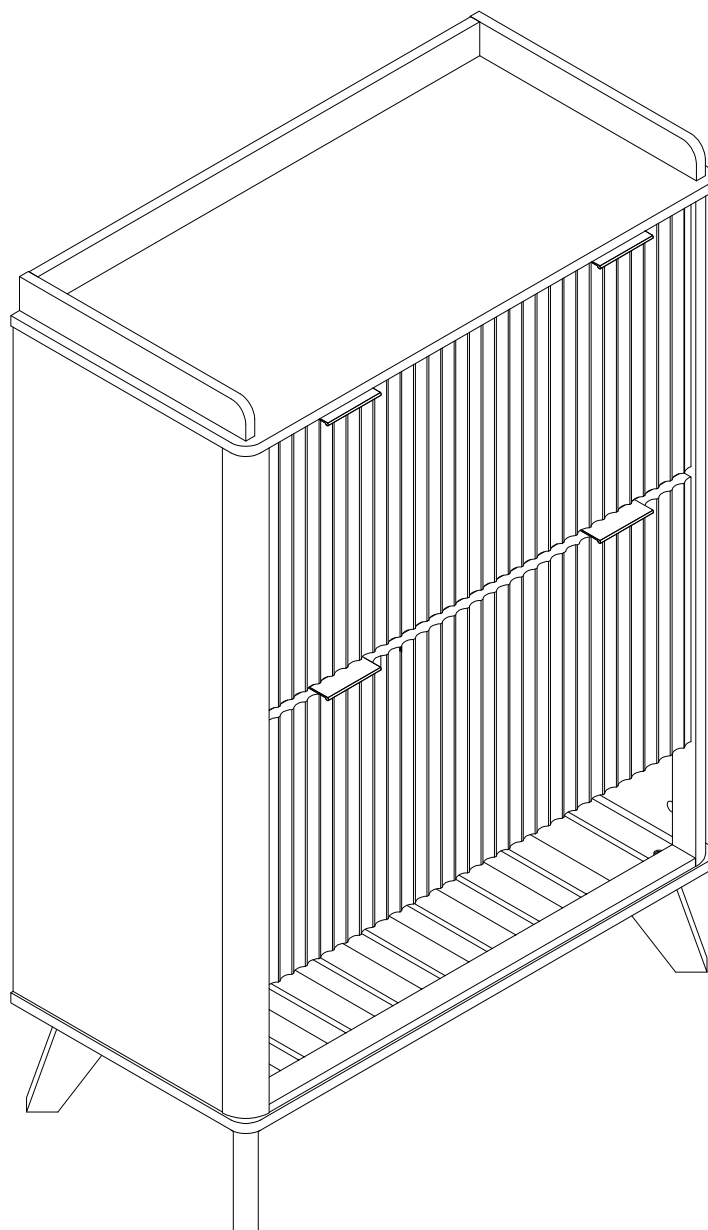
Step 21



Serious or fatal injuries can occur from furniture tipping over. To prevent the furniture from tipping over we recommend that it is permanently fixed to the wall. Wall anchor and hardware are included with this product. Please make sure hardware is suitable for your walls before installing, as different wall materials may require different types of anchors.



Step 22



Final Assembly