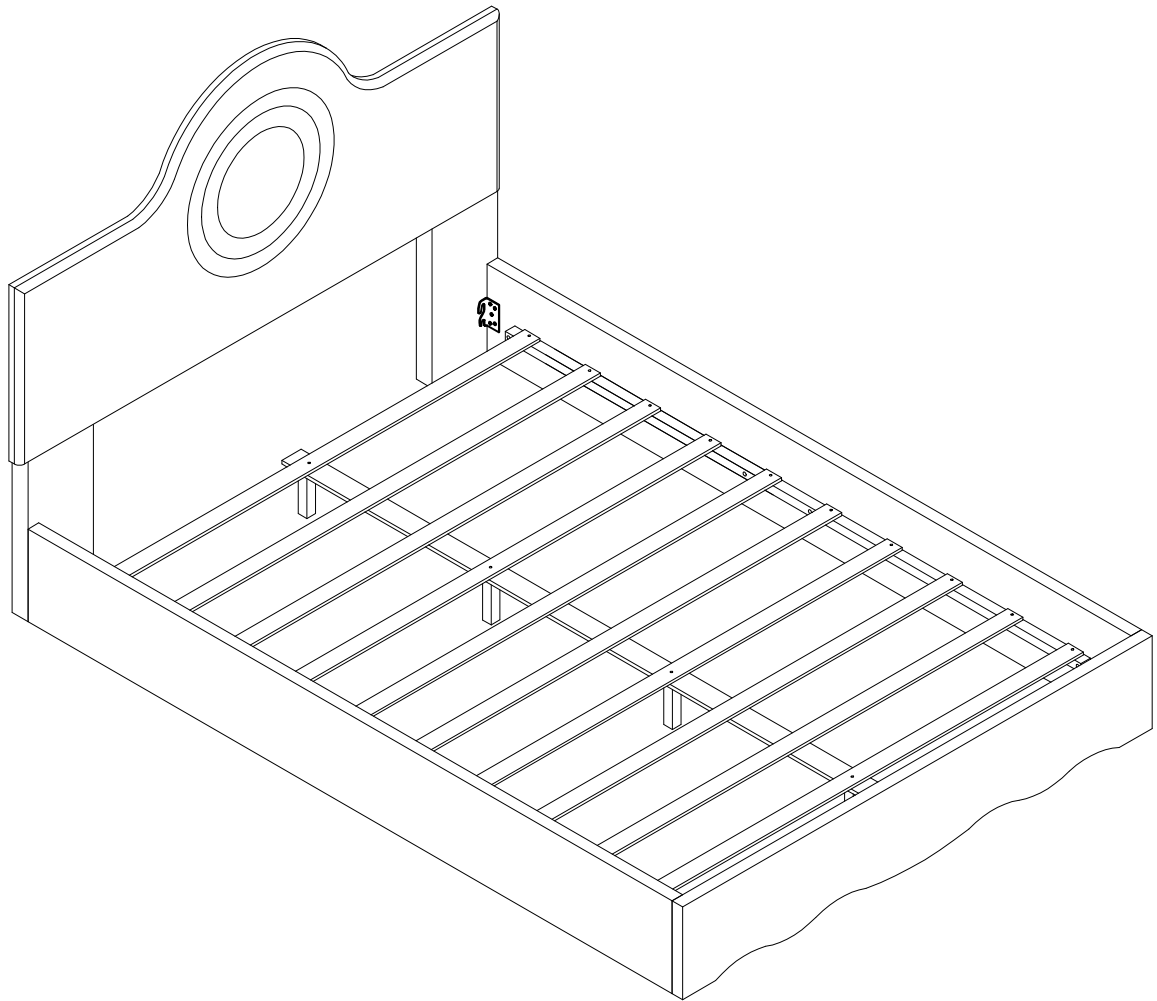
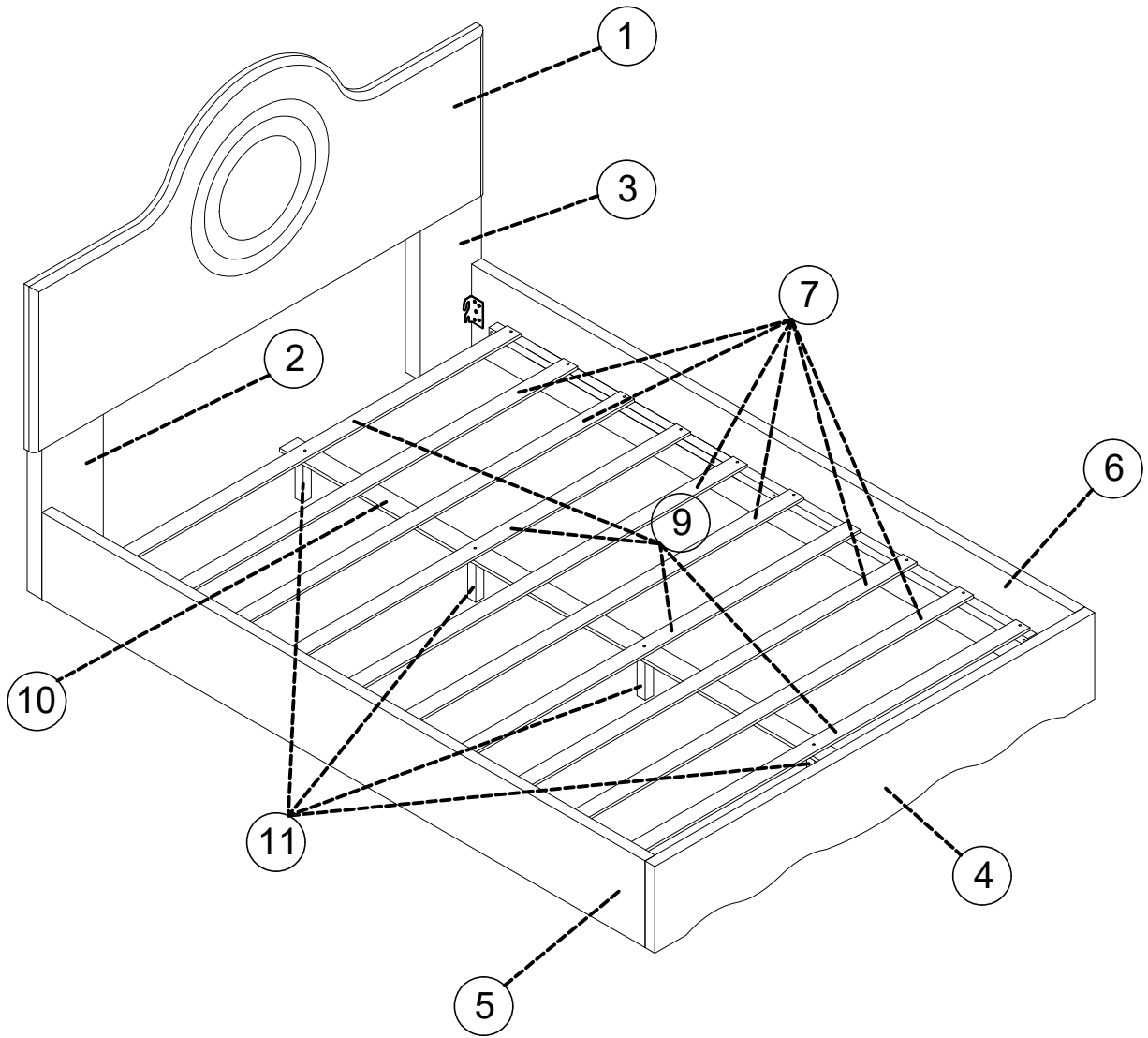


ASSEMBLY INSTRUCTION

SKU CODE: (WF319136AAH/WF319137AAH)

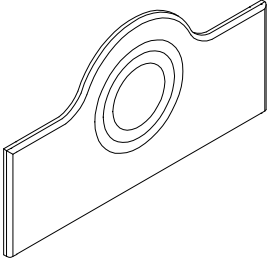


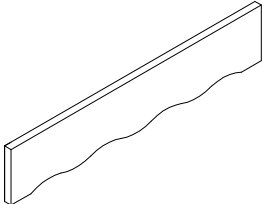
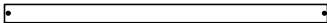
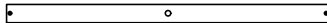

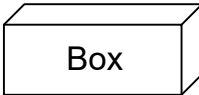

**This set included 2 boxex if do not receive full 2
boxex. Please contact our customer service team**



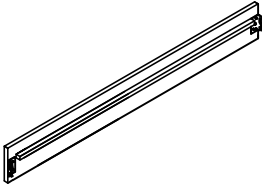
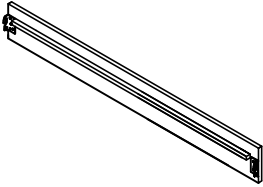
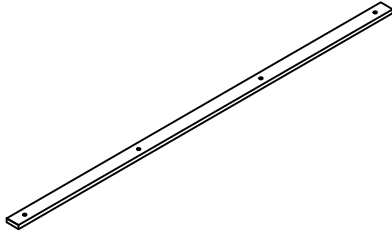


Part List

BOX 1/2: WF319136AAH

<p>1</p>  <p>Head board -1pc</p>	<p>2</p>  <p>Head board legs Left-1pc</p>	<p>3</p>  <p>Head board legs Right-1pc</p>
<p>4</p>  <p>Footboard-1pc</p>	<p>7</p>  <p>Slates-6pcs</p>	<p>9</p>  <p>Slates-4pcs</p>
<p>11</p>  <p>Legs middle-4pcs</p>	<p>8</p>  <p>Box-Charging and controller-1pc</p>	<p>Hardware</p> 








BOX 2/2: WF319137AAH

<p>5</p>  <p>Side rail Left - 1pc</p>	<p>6</p>  <p>Side rail Right - 1pc</p>	<p>10</p>  <p>Bed support Slates-1pc</p>
--	---	---


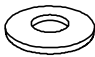


HARDWARE

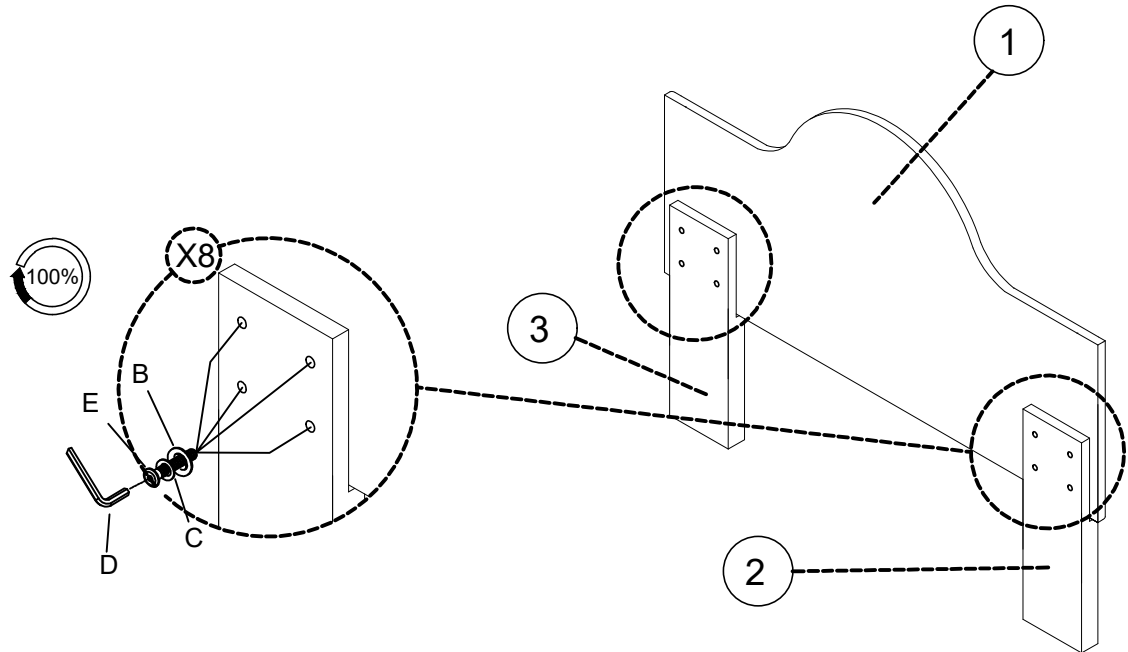
Check that you've received
all hardware listed below.

Hardware List


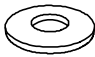


No.	OUTLOOK	DESC	QTY
(A)		Bolts 5/16"x30 mm	8
(B)		Plain washer Ø5/16"x19x1.5 mm	20
(C)		Spring washer Ø5/16"x12 mm	20
(D)		Allen key 80x30x4 mm	1
(E)		Bolts 5/16"x38 mm	8
(F)		Screws Ø4x30 mm	20
(G)		Bolts 5/16"x45 mm	4

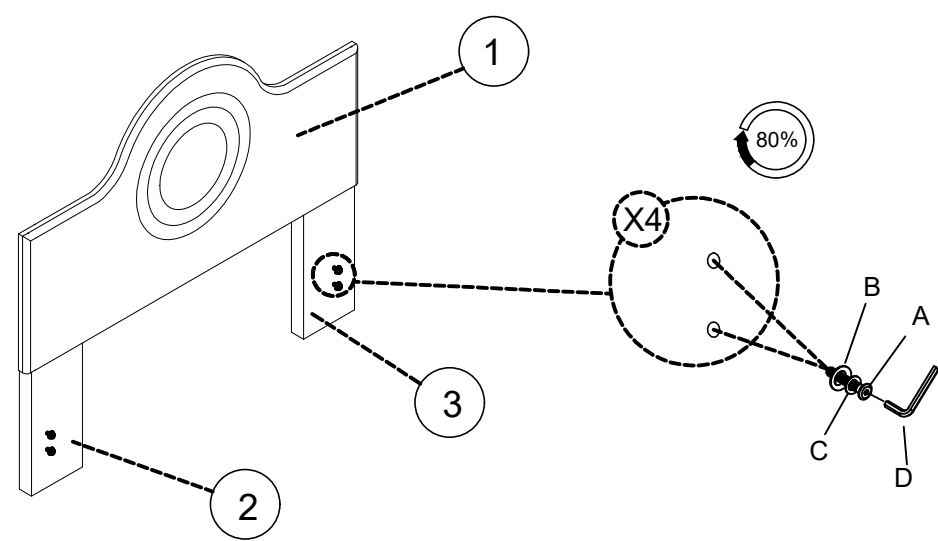
STEP 1

E x 8	B x 8	C x 8	D x 1
			


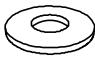




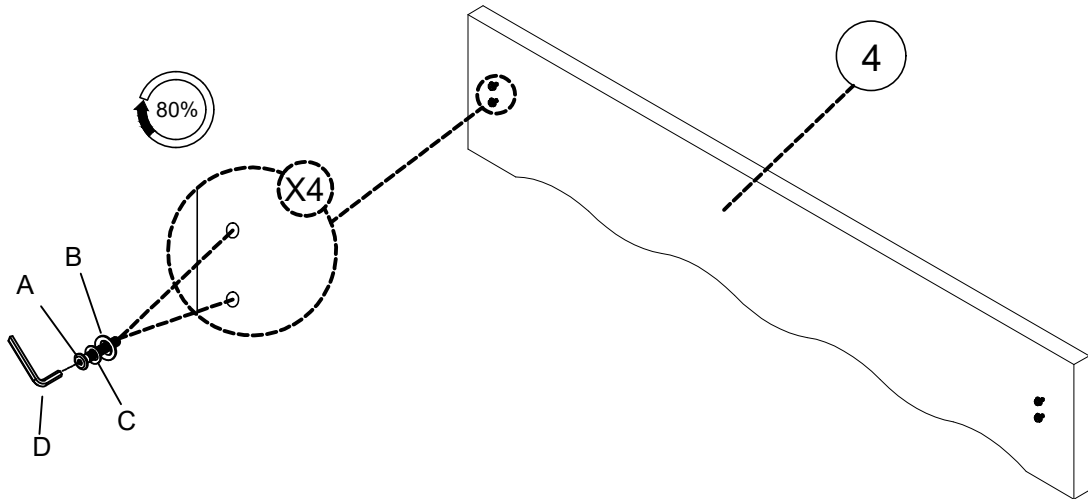
STEP 2

A x 4	B x 4	C x 4	D x 1
			

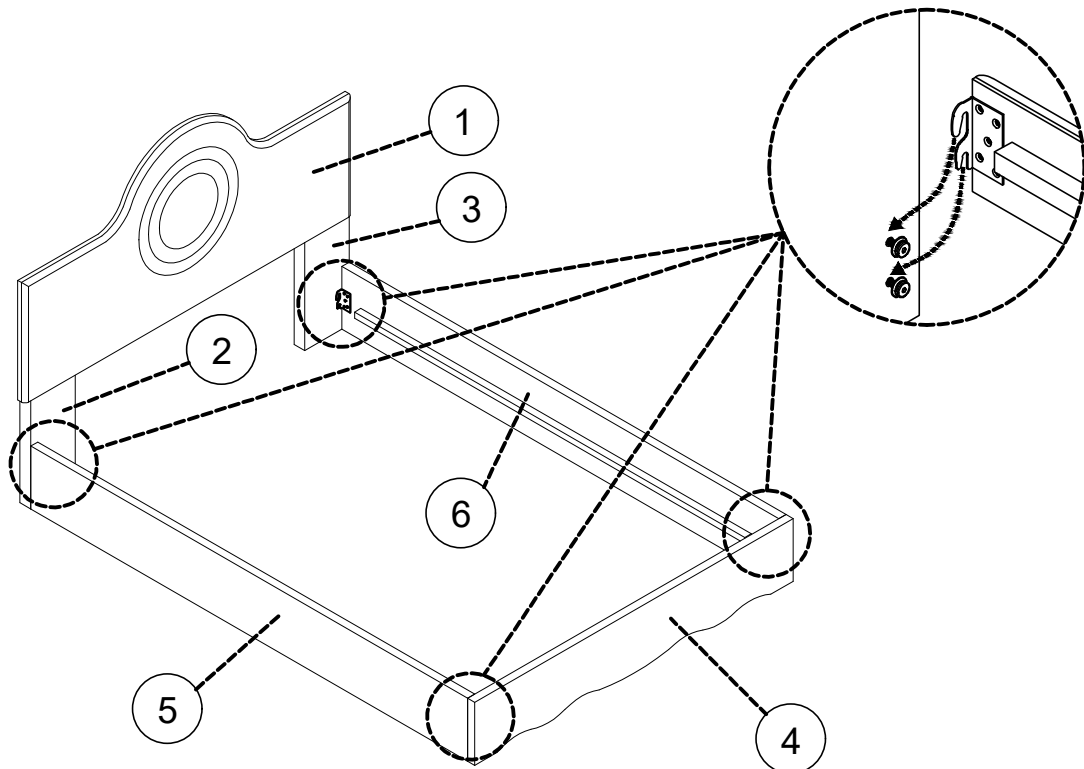


STEP 3

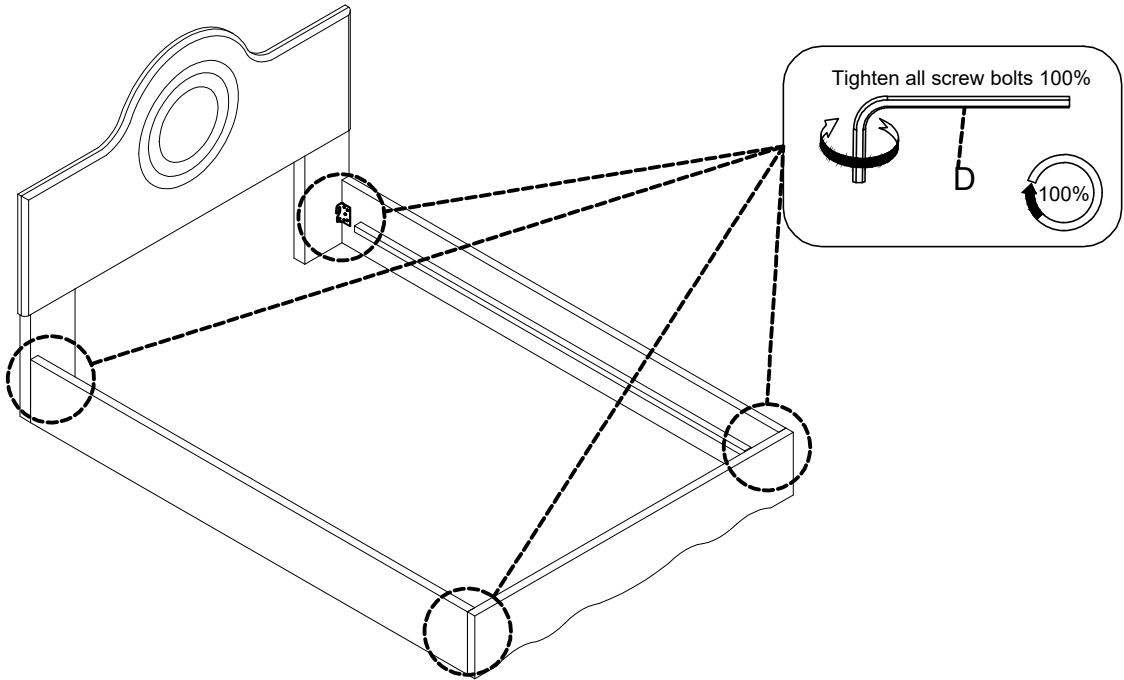
A x 4 	B x 4 	C x 4 	D x 1 
--	--	--	--



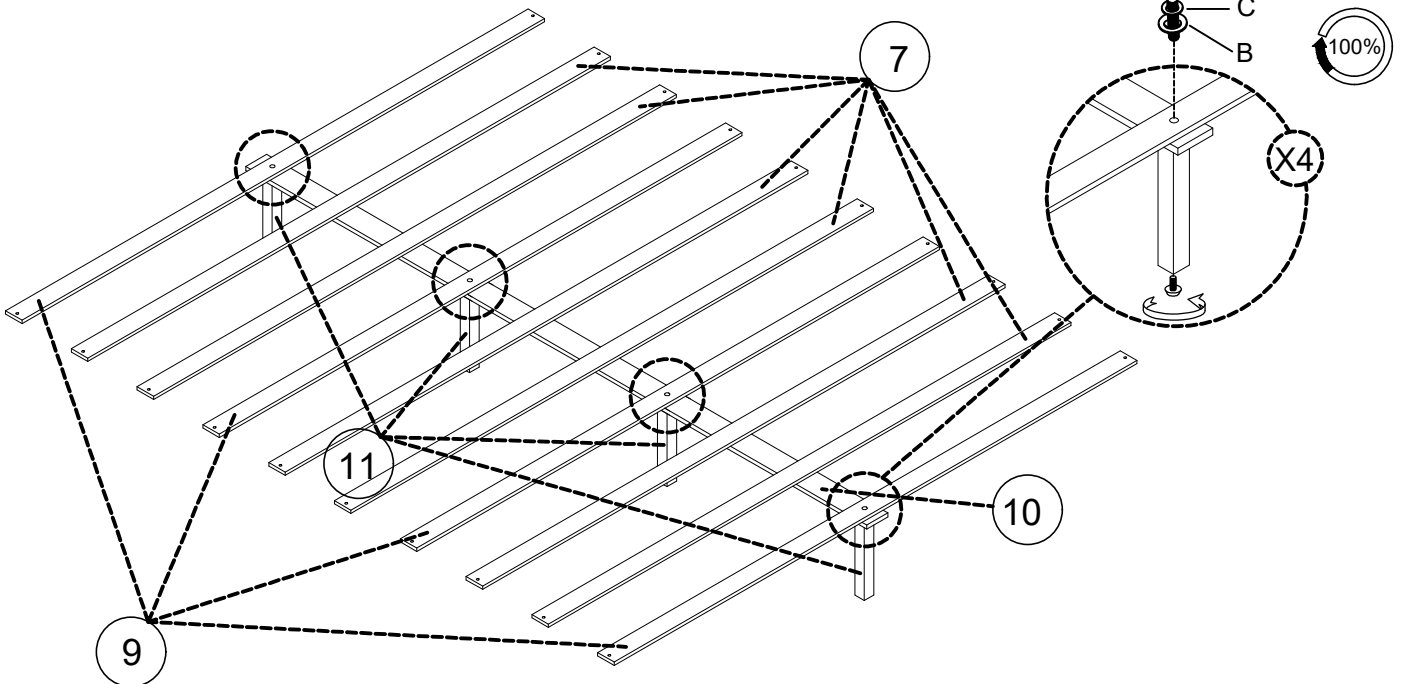
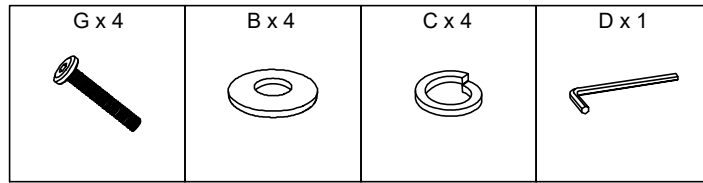
STEP 4



STEP 5



STEP 6



COMPLETE

