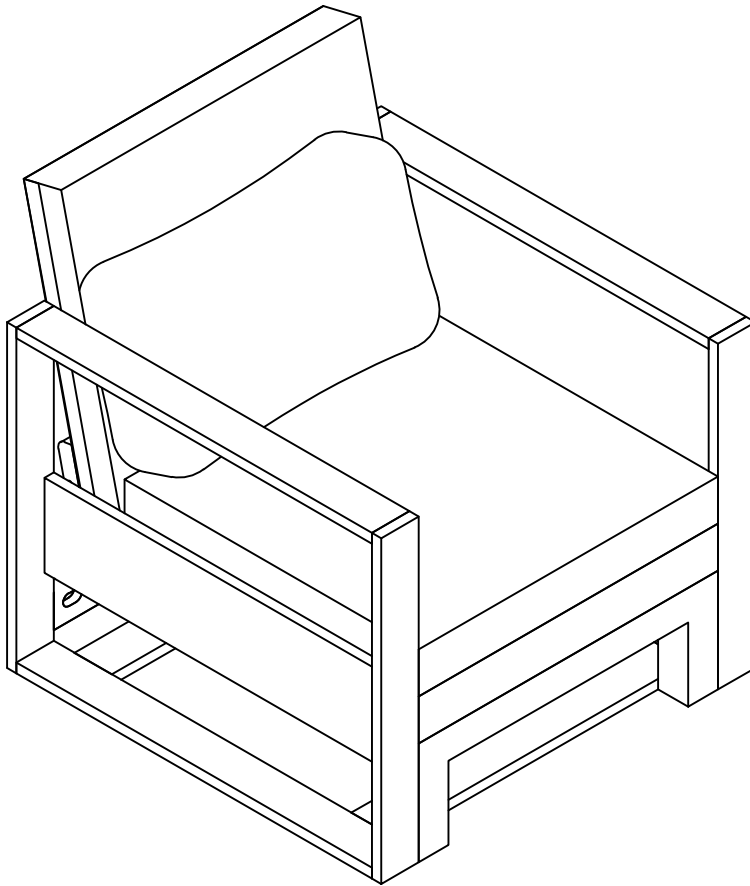


Owner Manual

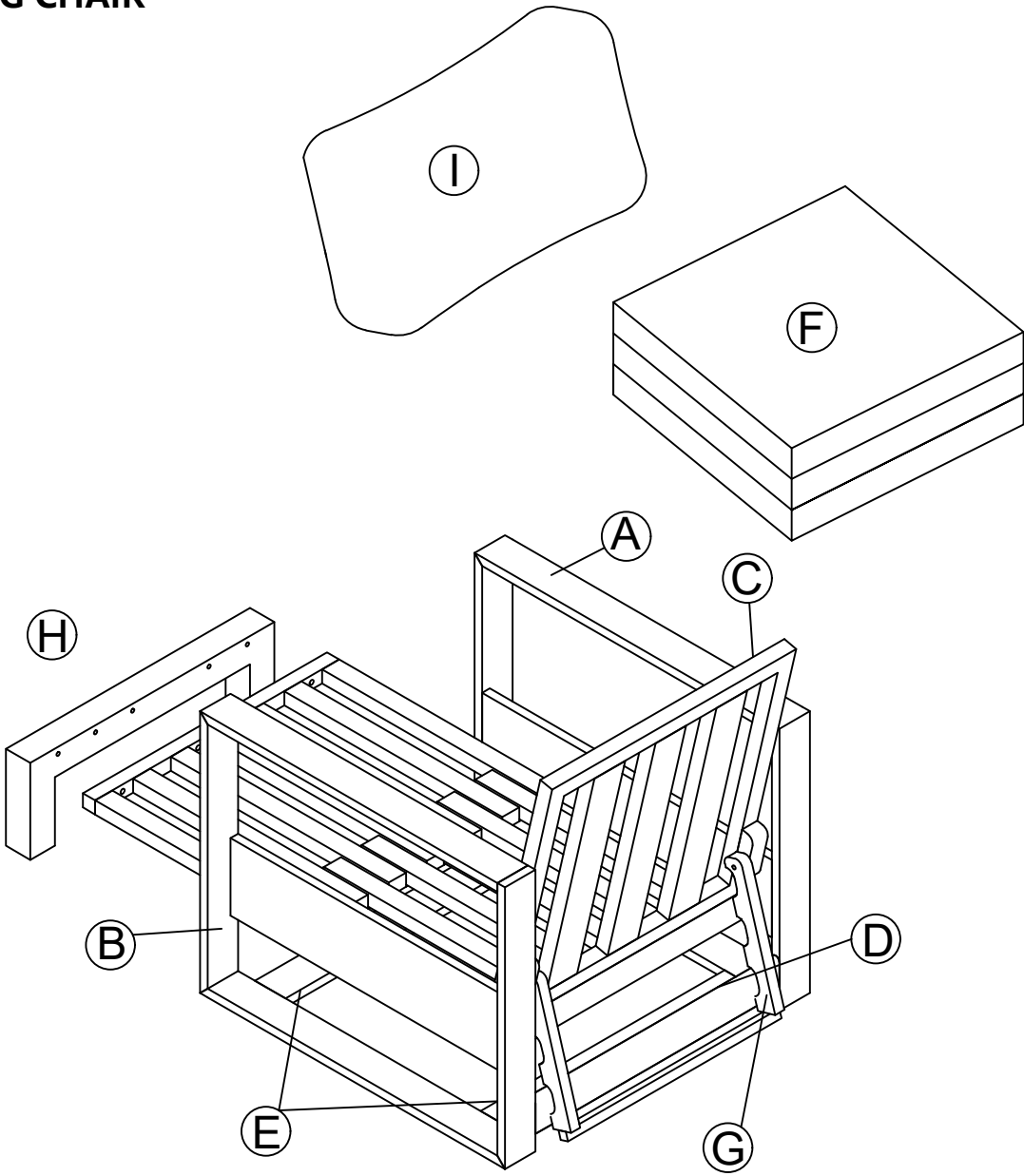


NOTE:

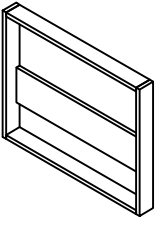
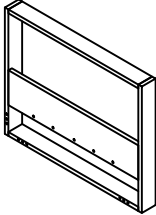
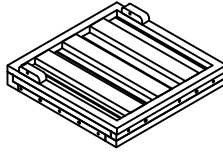
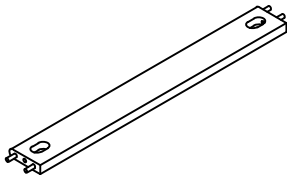
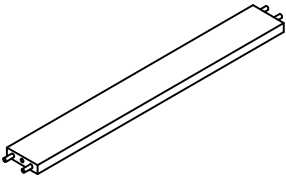
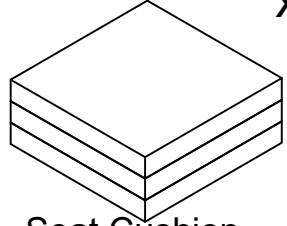
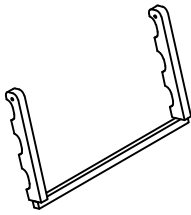
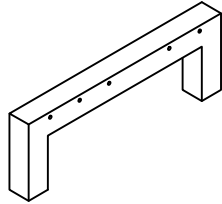
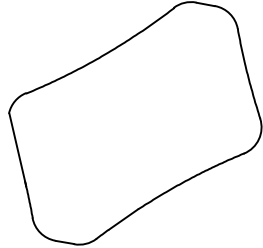
This brochure contains IMPORTANT safety info. Please read and keep for future reference.

EXPLOSIVE VIEW

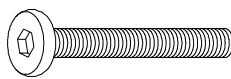
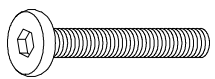
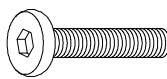
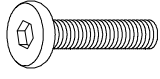
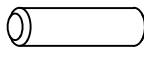
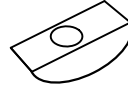



DINING CHAIR



PARTS LIST

<p>A  x1</p> <p>Left Armrest</p>	<p>B  x1</p> <p>Right Armrest</p>	<p>C  x1</p> <p>Single Back</p>
<p>D  x1</p> <p>Back Stretcher</p>	<p>E  x2</p> <p>Lower Stretcher</p>	<p>F  x1</p> <p>Seat Cushion</p>
<p>G  x1</p> <p>Support</p>	<p>H  x1</p> <p>Front Leg</p>	<p>I  x1</p> <p>Pillow</p>




HARDWARE LIST

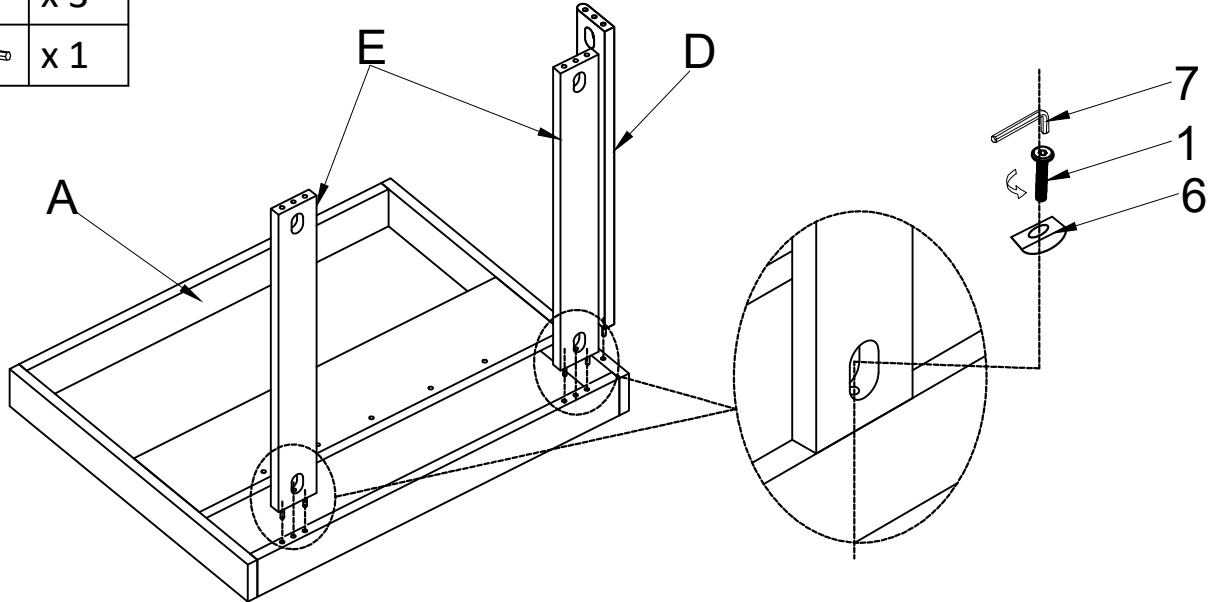
<p>1  x6</p> <p>Bolt 1/4" * 2-3/8L</p>	<p>2  x3</p> <p>Bolt 1/4" * 2"L</p>	<p>3  x6</p> <p>Bolt 1/4" * 1-5/8"L</p>
<p>4  x2</p> <p>Bolt 1/4" * 1-3/8"L</p>	<p>5  x6</p> <p>Wood Dowel Ø10 * 1-5/8"L</p>	<p>6  x6</p> <p>Washer</p>
<p>7  x1</p> <p>Allen Key</p>	<p>8  x2</p> <p>Spring Washer Ø1/4"*13</p>	<p>9  x2</p> <p>Flat Washer Ø1/4"*19</p>

Be sure to check all packing material carefully for small parts, which may have come loose inside the carton during shipment.

ASSEMBLY INSTRUCTION


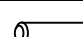

STEP 1

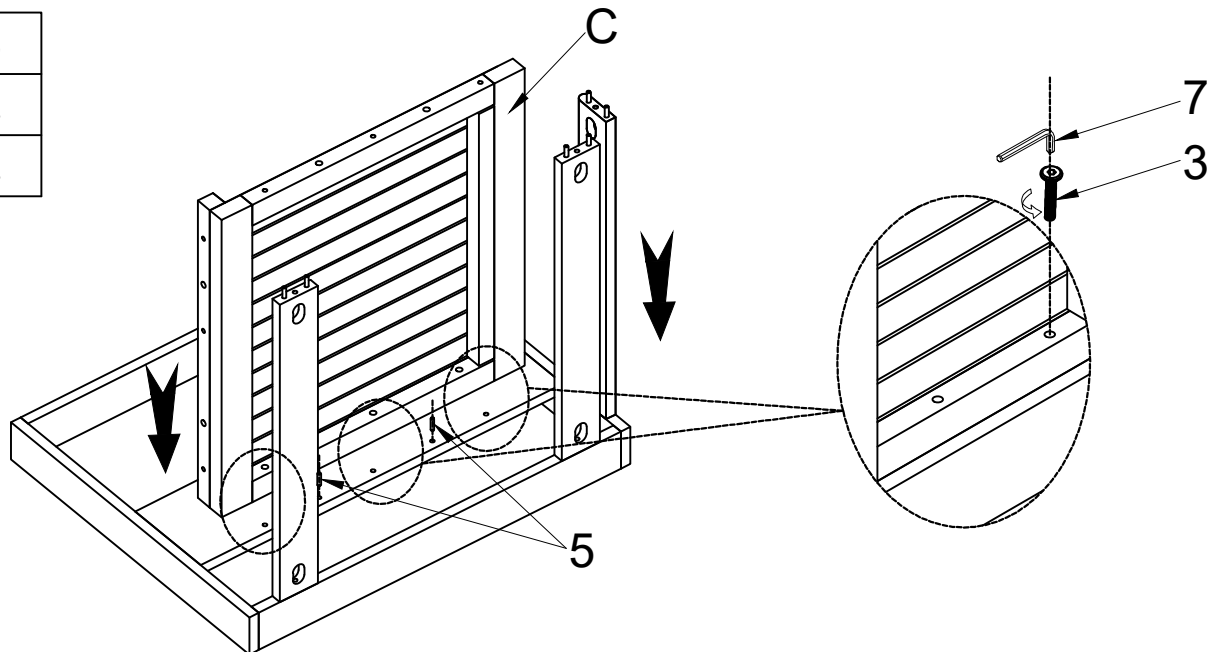
1		x 3
6		x 3
7		x 1



Attach the Back Stretcher (D), Lower Stretcher (E) to Left Armrest (A), use Bolt (1) and Washer (6) with Allen Key (7) as shown.



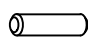

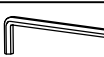
STEP 2

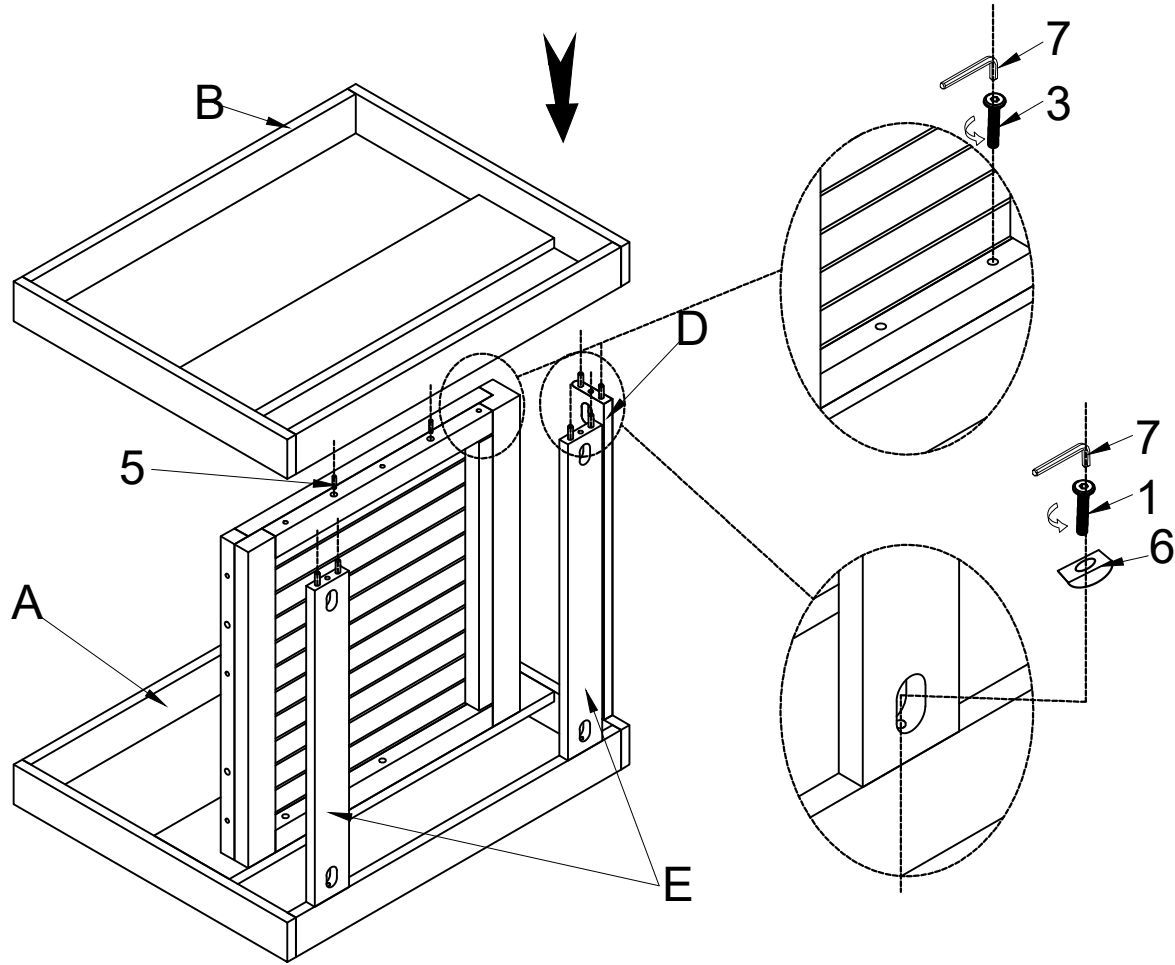
3		x 3
5		x 2
7		x 1



Attach the Single Back (C) to Left Armrest (A), use Wood Dowel (5), Bolt (3) with Allen Key (7) as shown.


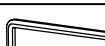
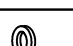
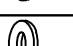
STEP 3

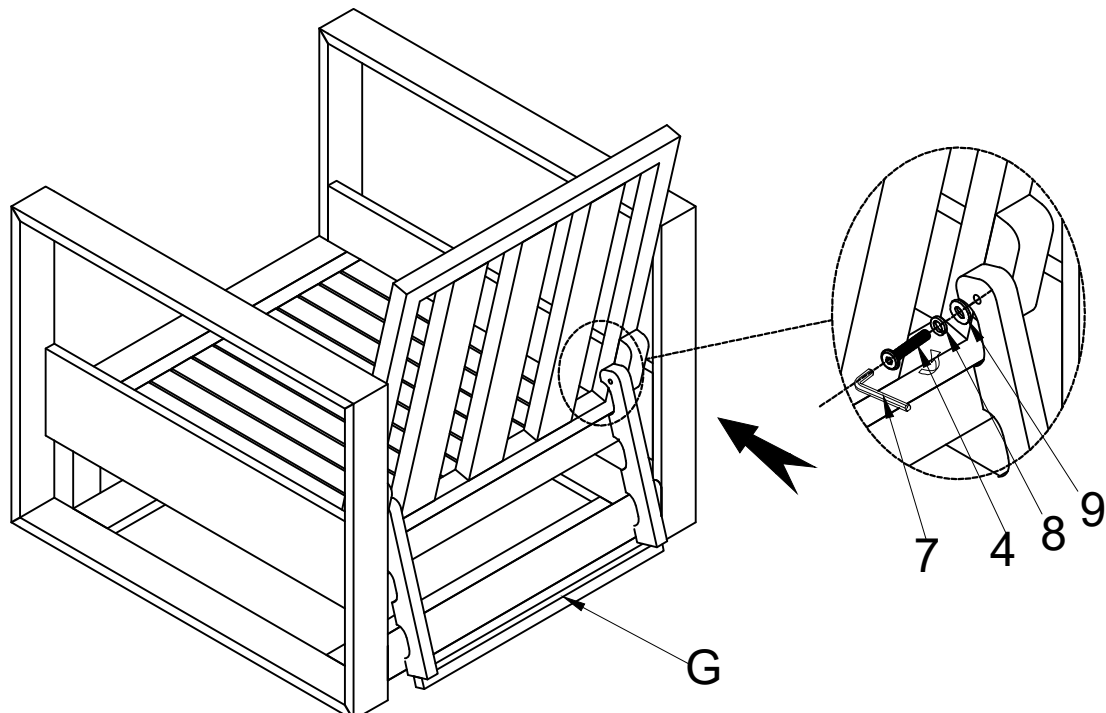
1		x 3
3		x 3
5		x 2
6		x 3
7		x 1



Attach the Right Armrest (B) to Back Stretcher (D), Lower Stretcher (E) use Wood Dowel (5), Bolt (1), Bolt (3), Washer (6) with Allen Key (7) as shown.


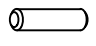

STEP 4

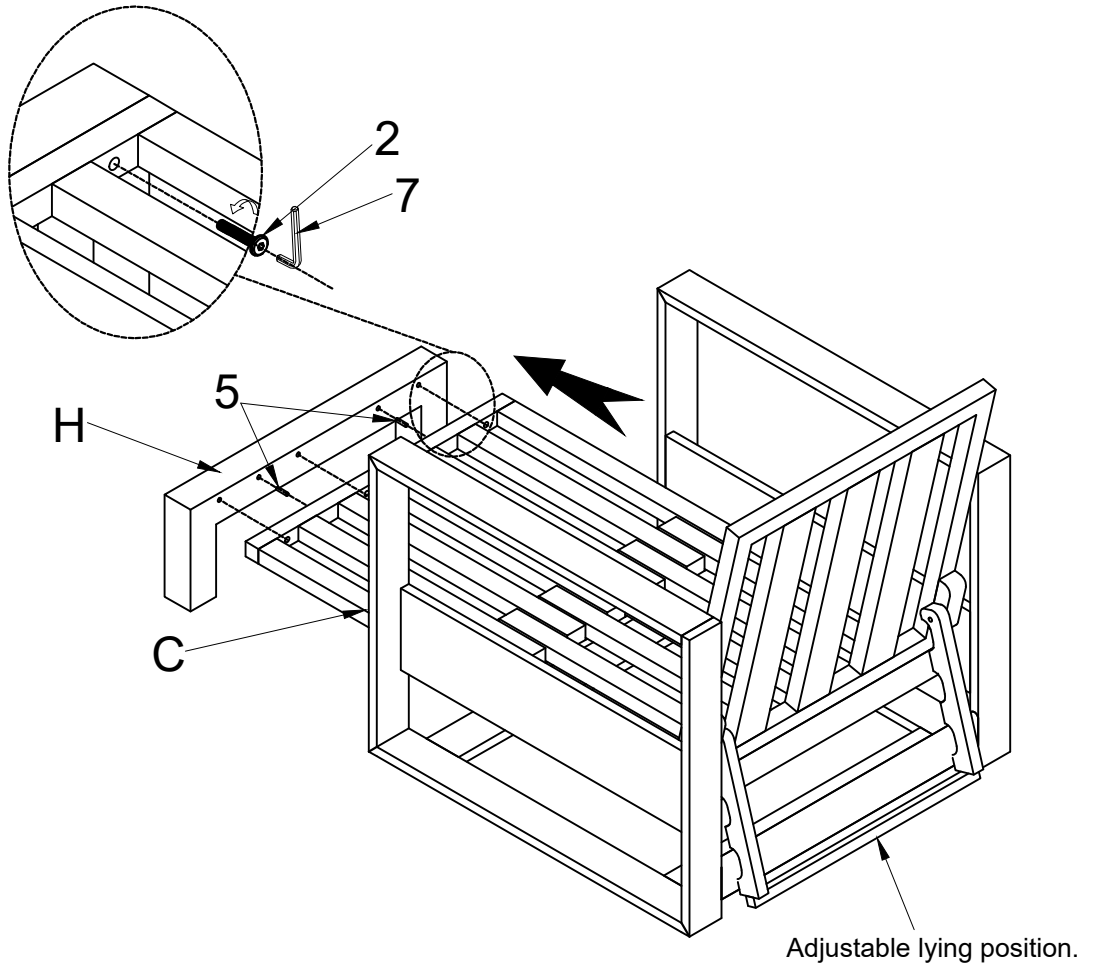
4		x 2
7		x 1
8		x 2
9		x 2



Attach the Support (G) to Left Armrest (A), Right Armrest (B), use Bolt (4), Spring Washer (8) and Flat Washer (9) with Allen Key (7) as shown.

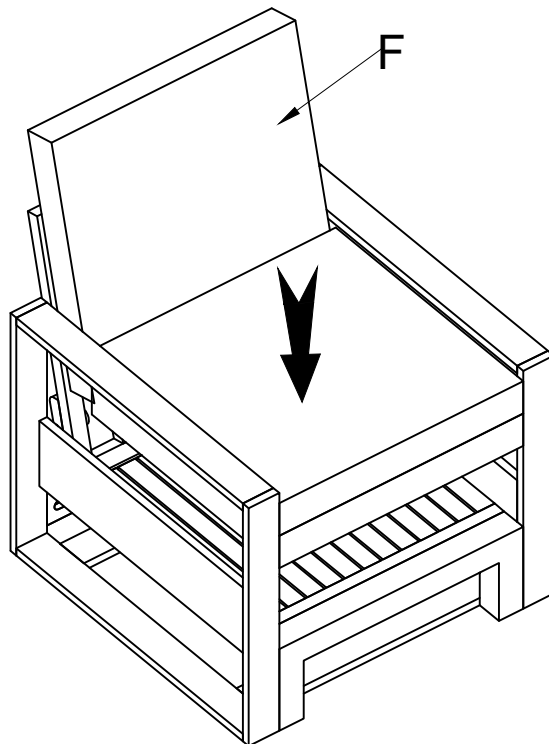
STEP 5

2		x 3
5		x 2
7		x 1



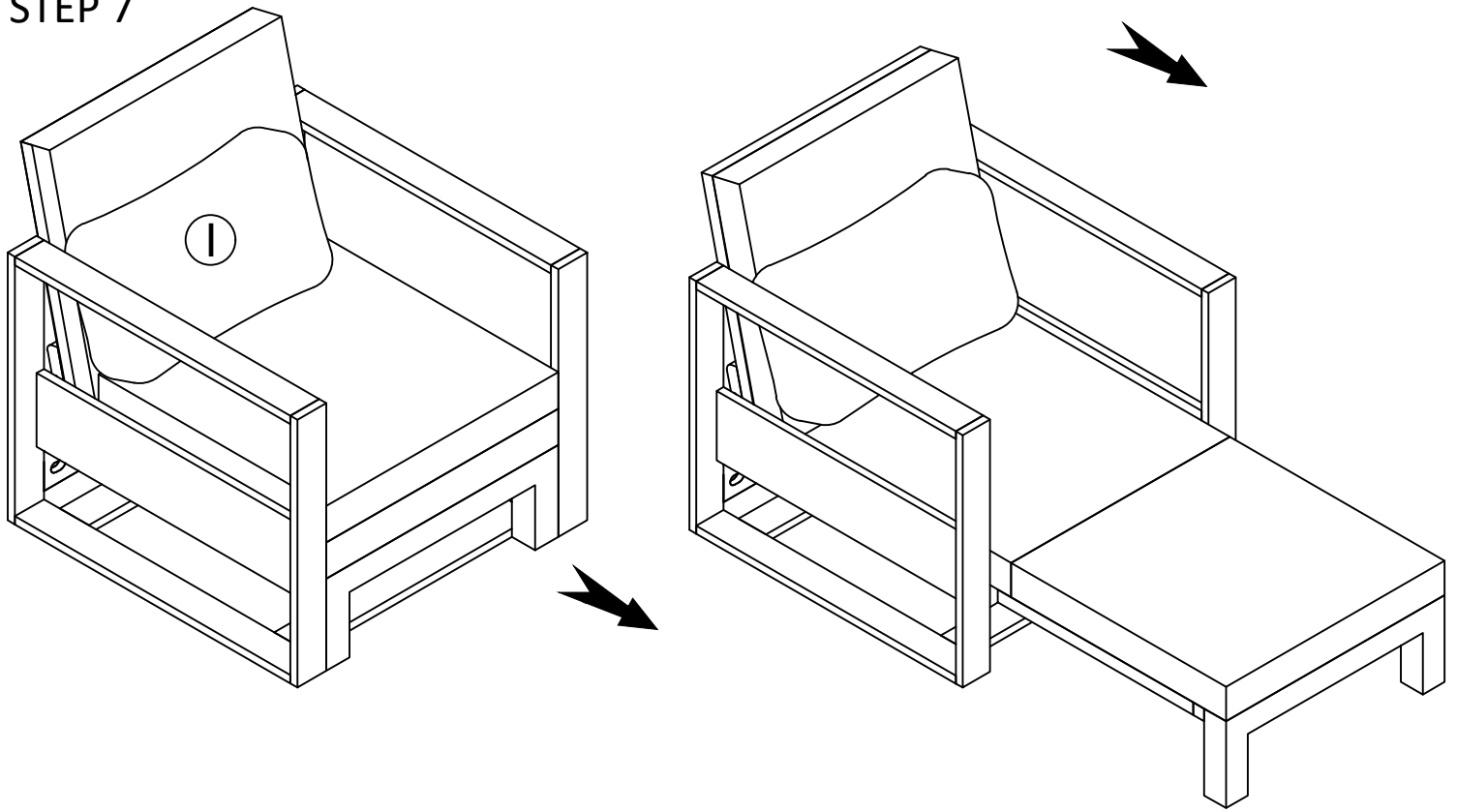
Attach the Front Leg (H) to Single Back (C), use Wood Dowel(5), Bolt (2) with Allen Key (7) as shown.

STEP 6

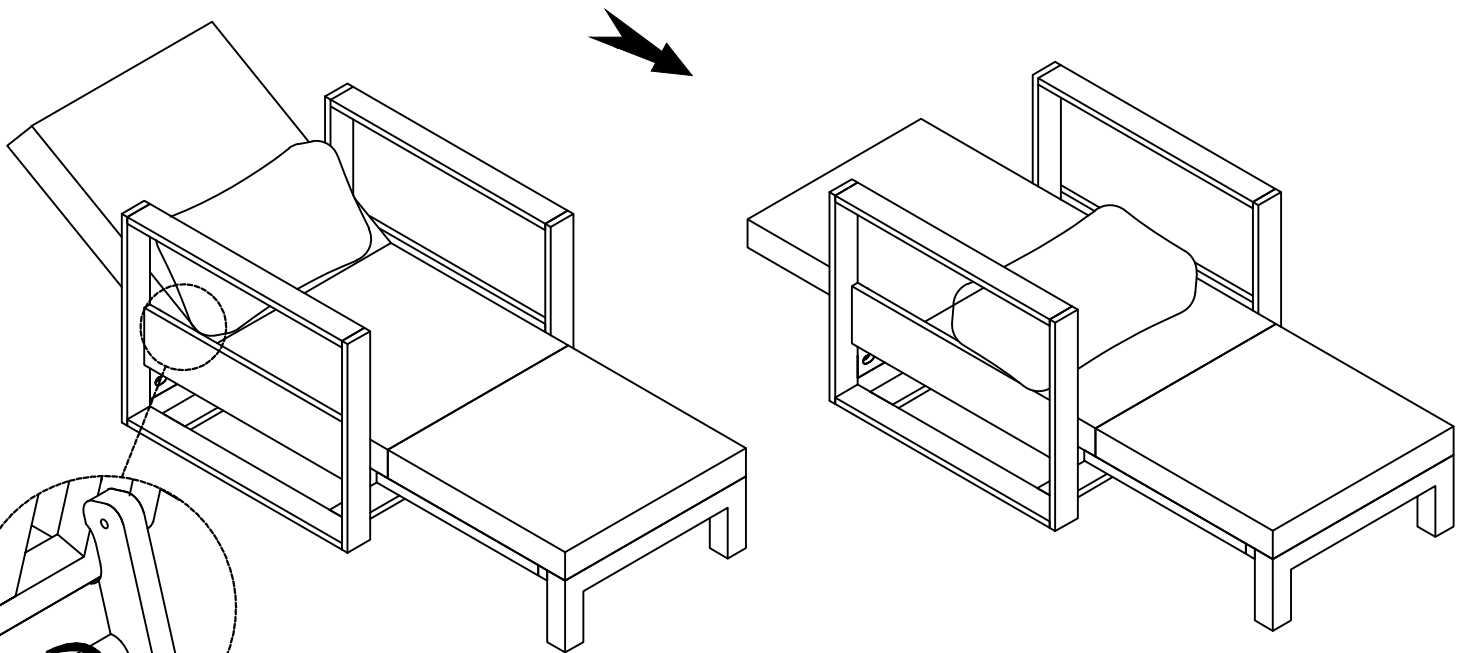


Place the seat cushion on the chair as shown.

STEP 7



STEP 8



Adjust rear mechanism for lying flat.

MAINTAINANCE AND WARNING



- Keep furniture away from heat.
- Do not clean furniture with harsh cleansers or polish. Do not use detergents, Solvents, abrasives, spray
- Packs or leather cleaner. Use non-color mild soap with warm water clean spills (Mix 1:10 soap to water)
- Do not place furniture under direct sunlight, material will possibly fade over time.
- Do not use on site dry Cleaning machine.
- Children should not climb or jump on the furniture.
- Do not write on furniture without a padded barrier to protect the surface.
- Not for commercial use, For residential use only.
- The maximum load is 150 LBS.

WARRANTY

We strive to offer high-quality products, and we also try our best to satisfy each and every customer that orders from us with product or service as needed. We provide 30 days warranty starting from the time you receive the item. Each customer must provide a record of their order such as the order number, or item receipt for any items that are out of the warranty period you may also still receive replacement parts by purchasing them with our company if they are available.

Are you having difficulty with assembly? Missing parts? Please send email with your order No.

For return, please check the return policy with the retailer or market place you bought from. Appreciate your purchasing from us. Pop up your life by our furniture piece!