

# Outdoor Party Tent Manual

Dear Customer,

Thank you for choosing our product!

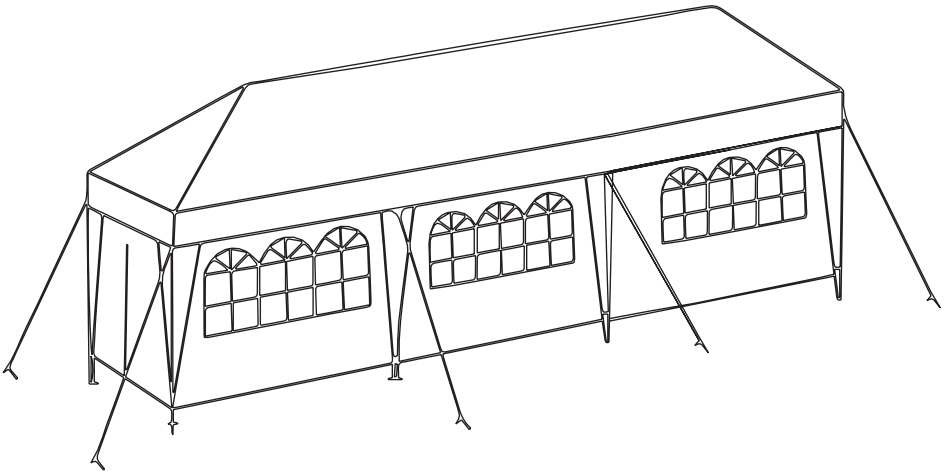
please follow the important recommendations below during the installation and usage of our product:

1. Secure the product using sandbags: To enhance the stability and safety of the product, it is imperative to use sandbags during installation. Sandbags effectively prevent unintended movement or tilting of the product, providing additional support and stability.

2. Avoid installing near or directly on air vents: Air vents can cause airflow variations that may adversely affect the normal operation of the product. Choose a location away from air vents to ensure the product's stability under various environmental conditions.

Our objective is to provide you with the highest quality and safest product experience. If you have any questions regarding installation or usage, please feel free to contact our customer service team.

Once again, thank you for choosing our product, and we wish you a delightful user experience!



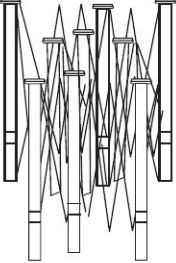
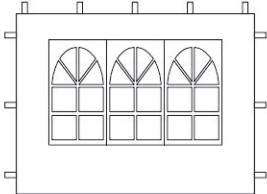
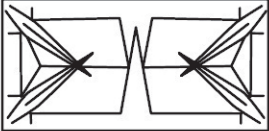
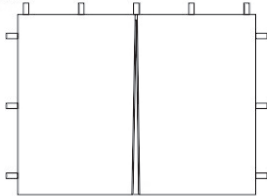
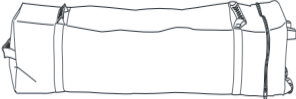




## 10x30FT Outdoor Party Tent

Phone: 3022415039/6605538327  
Email: [easyhelpservice@yahoo.com](mailto:easyhelpservice@yahoo.com)  
Please contact us by phone or email.

After-sales phone service hours:  
US Central Time: 19:00-23:00  
Seattle time: 17:00-21:00  
US Eastern Time: 20:00-00:00  
Toronto time: 20:00-00:00  
Germany time: 8:00-11:00  
After-sales mailbox service time: 7\*24 hours

## PARTS LIST

Make sure all the parts are in correct number.  
Any parts missing, please feel free to contact.

<p>① × 1</p> 	<p>② × 6</p> 
<p>③ × 1</p> 	<p>④ × 2</p> 
<p>⑤ × 1</p> 	<p>⑥ × 8</p> 
<p>⑧ × 4</p> <p>sandbag</p> 	<p>⑦ × 8</p>  <p>⑨ × 8</p> 

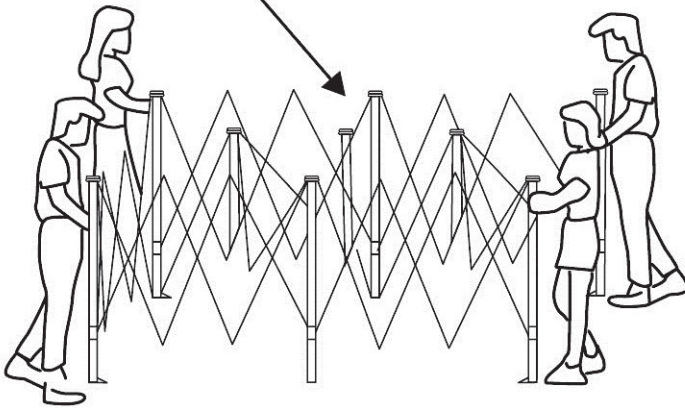
# ASSEMBLY INSTRUCTION

## OPEN THE TENT

1

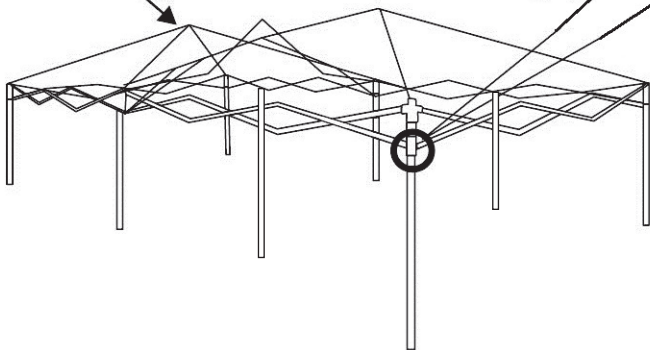
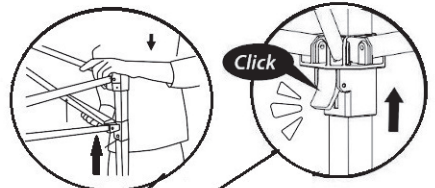
1

Unfold the tent frame with the help of others.



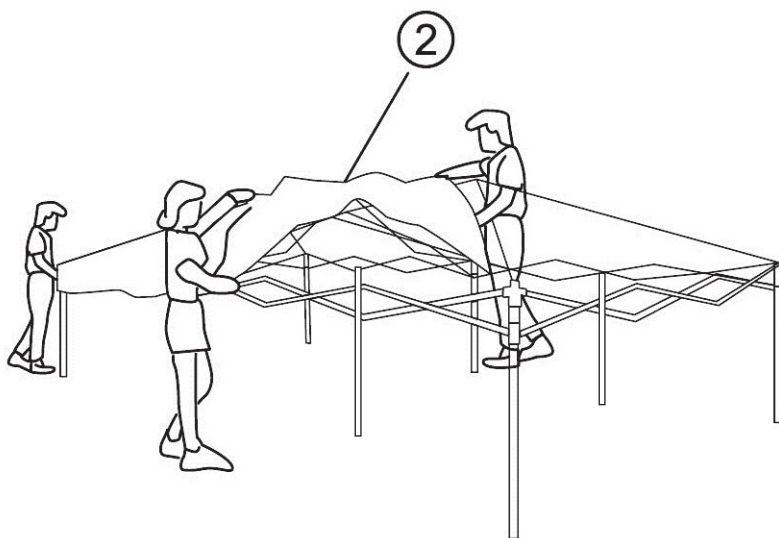
2

1

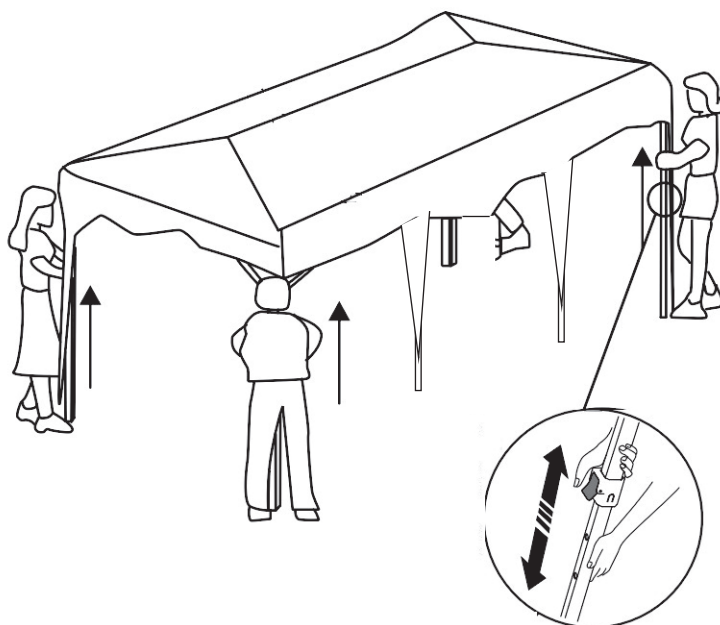


Once fully expanded, push upward until the button locks into place and you hear a clicking sound.

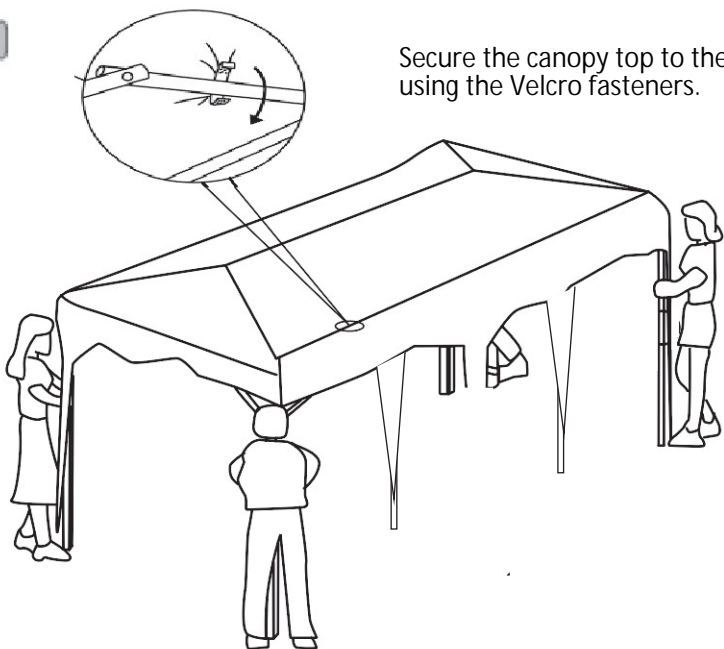
- 3 Drape the canopy top over the frame.



- 4 Extend the tent legs upward and adjust them to the desired height setting.

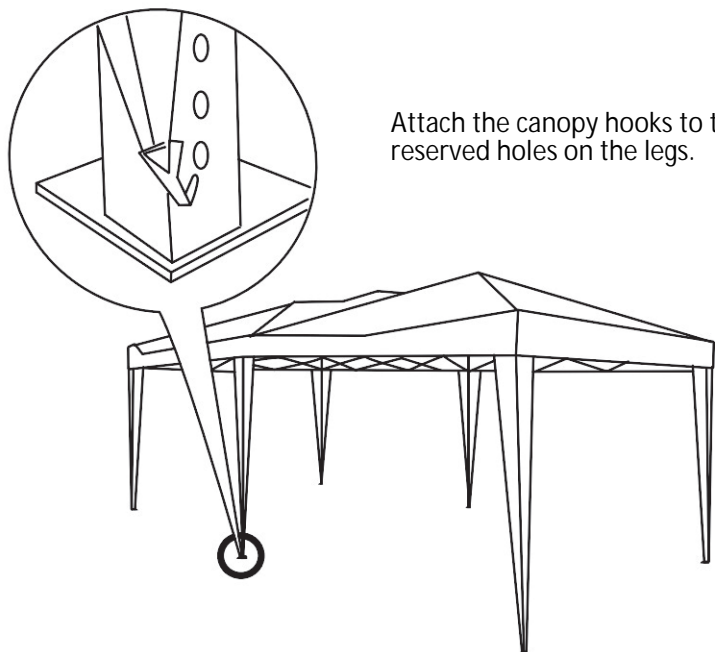


5



Secure the canopy top to the frame using the Velcro fasteners.

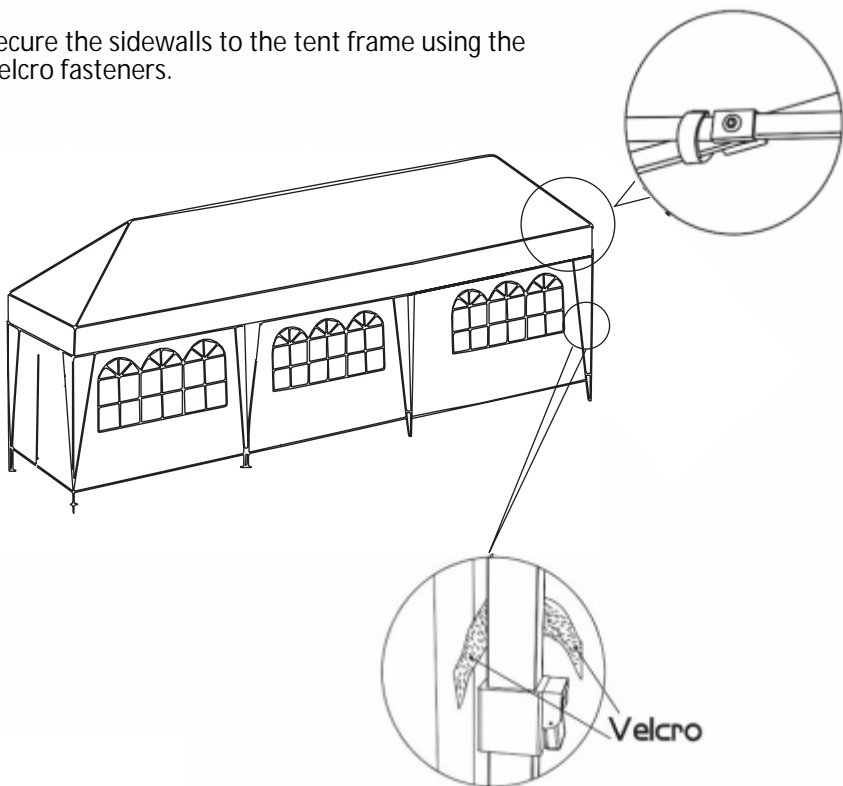
6



Attach the canopy hooks to the reserved holes on the legs.

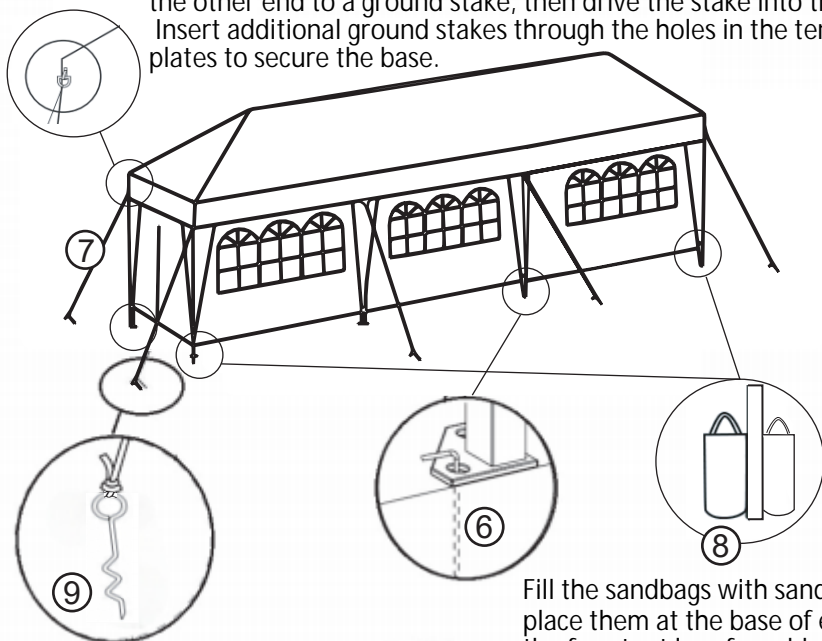
7

Secure the sidewalls to the tent frame using the Velcro fasteners.

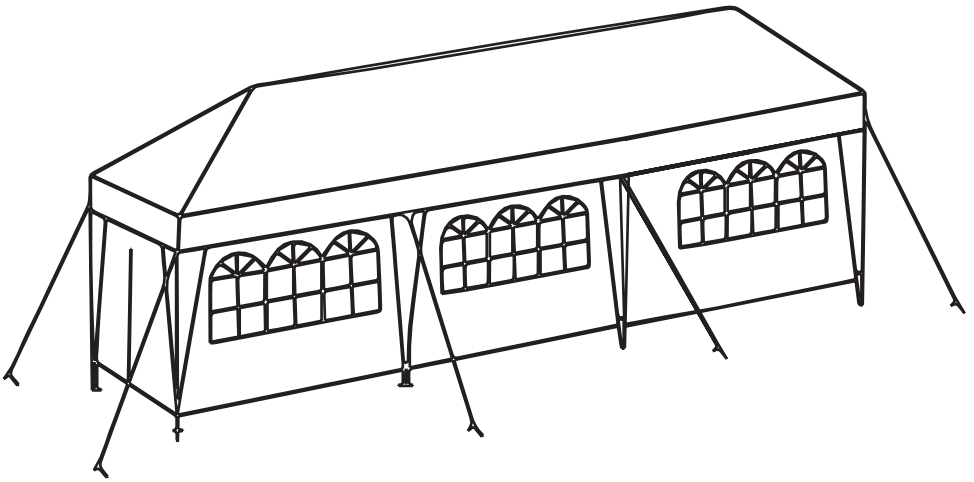


8

Tie one end of the guy rope to the designated attachment point and the other end to a ground stake, then drive the stake into the ground. Insert additional ground stakes through the holes in the tent's foot plates to secure the base.

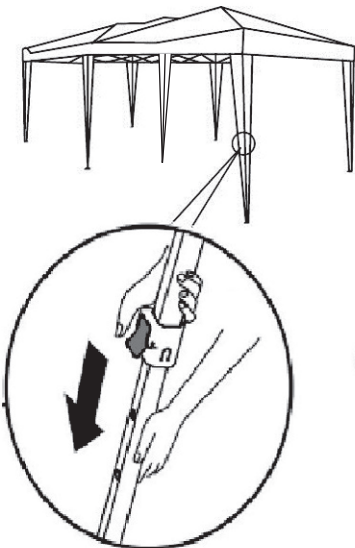


Fill the sandbags with sand and place them at the base of each of the four tent legs for added stability.

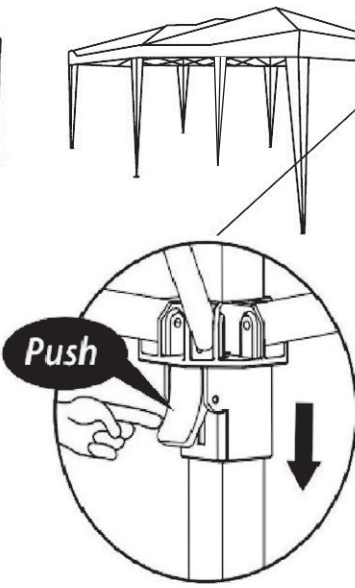


# CLOSE THE TENT

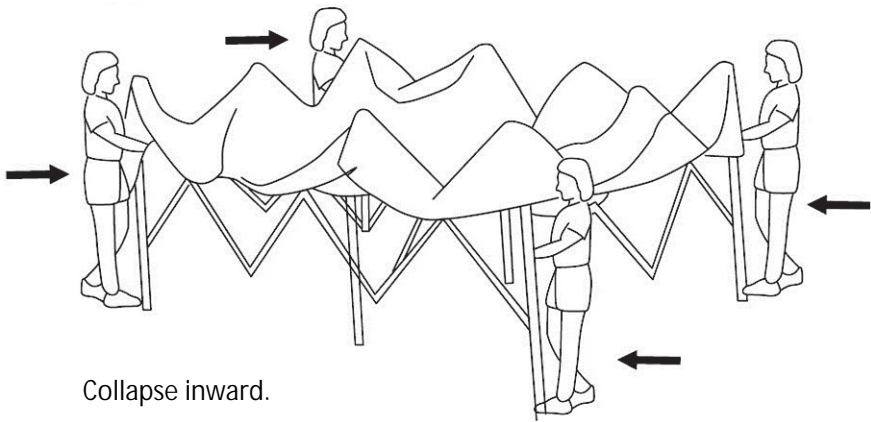
1 Press the button to lower the support legs to the lowest position.



2 Press the buttons on the four corner support rods.

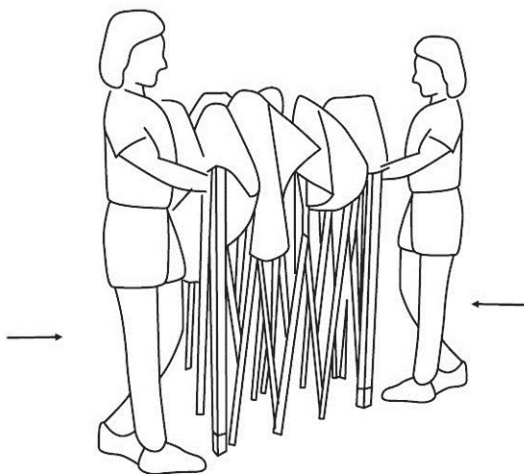


3

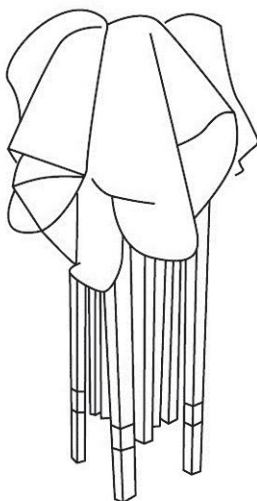


4

Collapse to the minimum position.



5



# CONTACT US !

## Do Not Return

Our dedicated team is here to help-just reach out!



[easyhelpservice@yahoo.com](mailto:easyhelpservice@yahoo.com)



**Send Message**



**302241503/6605538327**

If you have any questions, please leave the Order ID and related picture information, we will reply you within **24** hours, and solve the problem, **ASAP** !