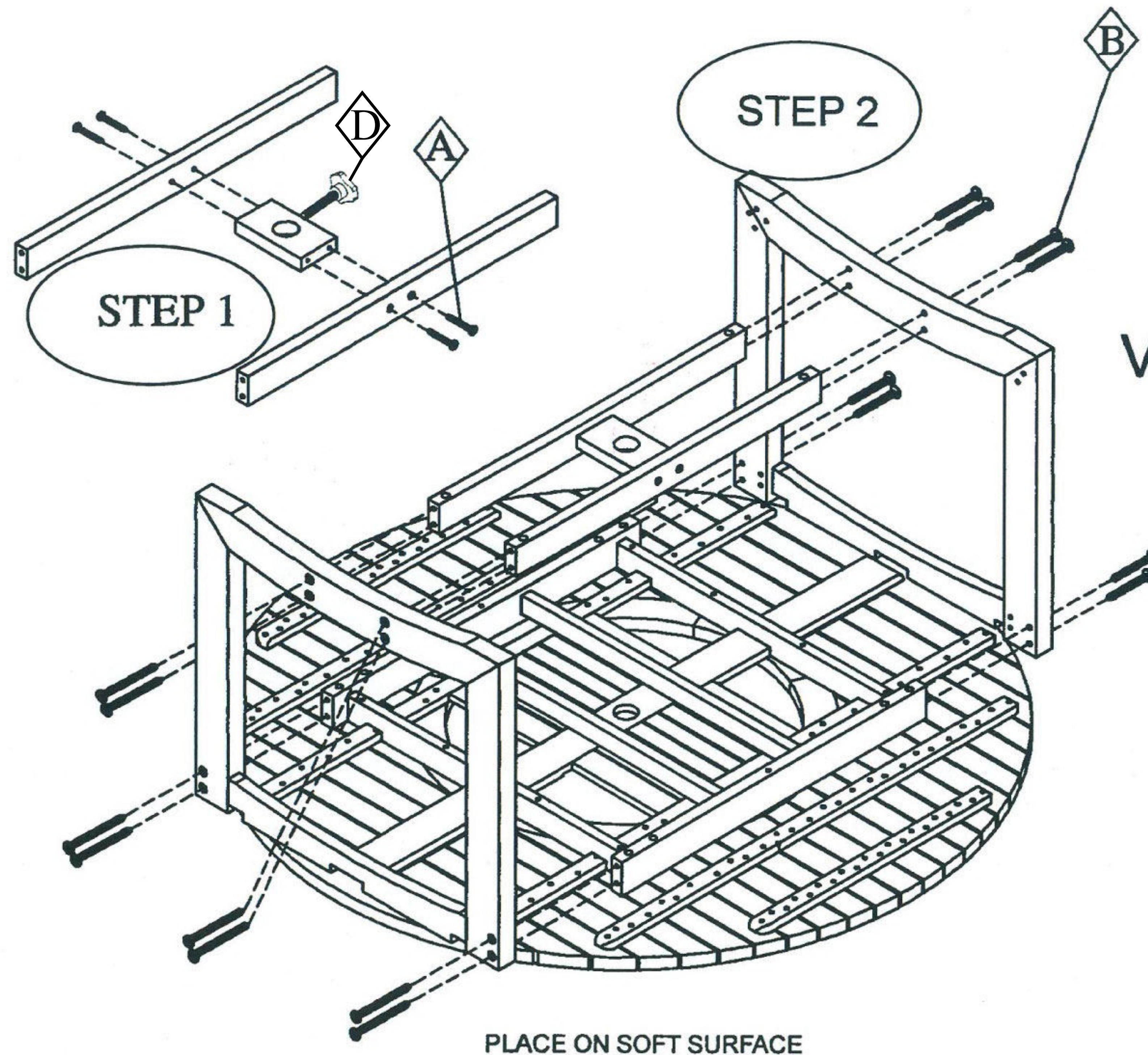


ASSEMBLY INSTRUCTIONS

TABLE



STOP! PLEASE READ FIRST:

Thank you for purchasing this item

Please verify all the hardware and components are included as you unpack the carton. Place the items in a safe area to avoid loss and damaging contents. Use a soft area or use the empty box to assemble the item.

ASSEMBLY TIPS: Assemble upside down with the table top facing down. Never over-tighten any screws or bolts. It's best to assemble with 2 people.

Please review the "PLEASE OIL ME" card for how to care & maintain your new furniture.

A




Screw: M7x60mmx4Pcs

B



Screw: M7x90mmx16Pcs

C



Key wrench 4 x 1Pcs

D



Umbrella clamp x 1Pc

E



Portable Drill Bit