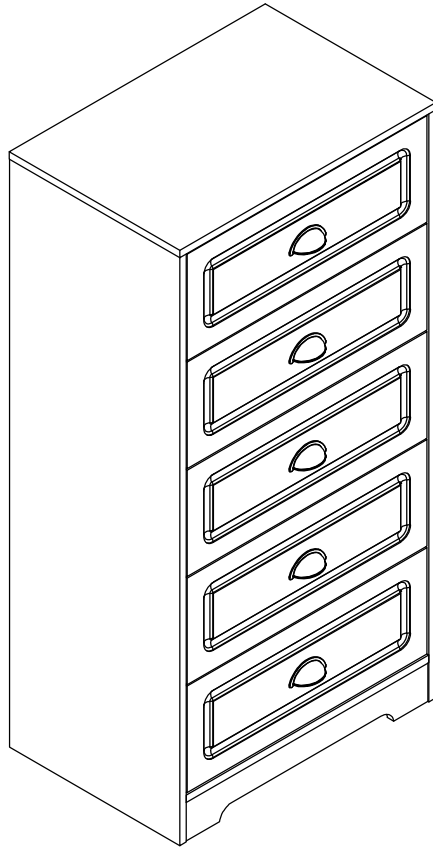
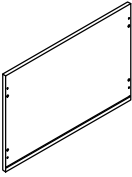



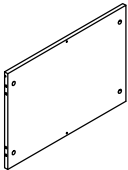
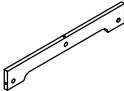
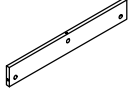
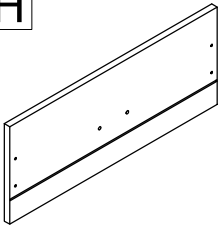
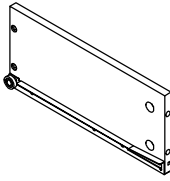
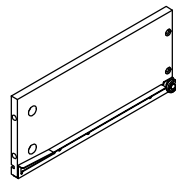
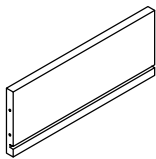
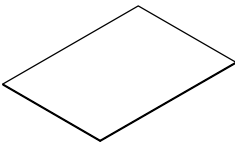
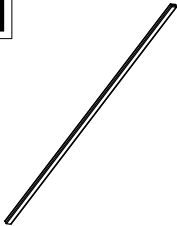


# Dresser-5 Drawers

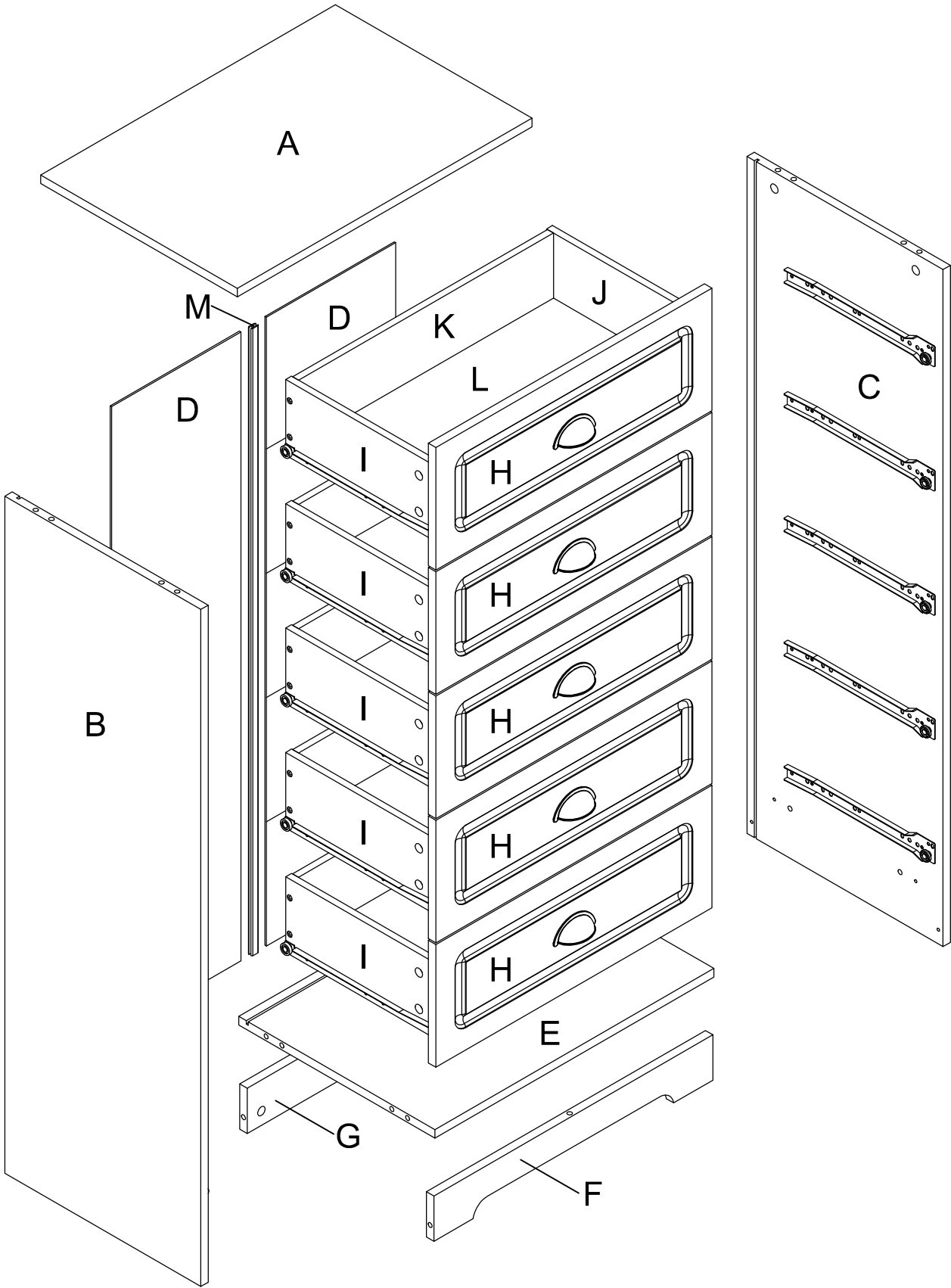


Instruction Manual







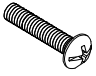
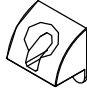

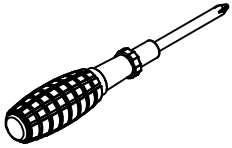
# PART LIST

<b>A</b> 	<b>B</b> 	<b>C</b> 	<b>D</b> 	<b>E</b> 
Top Panel 1 PC	Left Panel 1 PC	Right Panel 1 PC	Back Panel 2 PCS	Bottom Panel 1 PC
<b>F</b> 	<b>G</b> 	<b>H</b> 	<b>I</b> 	<b>J</b> 
Front Foot Board 1 PC	Rear Foot Board 1 PC	Drawer Front Panel 5 PCS	Drawer Left Panel 5 PCS	Drawer Right Panel 5 PCS
<b>K</b> 	<b>L</b> 	<b>M</b>  1096*12*7mm		
Drawer Back Panel 5 PCS	Drawer Bottom Panel 5 PCS	Back Plastic Strip 1 PC		

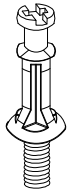
# ASSEMBLY OVERVIEW



# HARDWARE LIST

<p><b>#1</b></p>  <p>Ø3.5*15mm</p>	<p><b>#2</b></p>  <p>Ø8*30mm</p>	<p><b>#3</b></p>  <p>Ø3*30mm</p>	<p><b>#4</b></p>  <p>Ø6*35mm</p>	<p><b>#5</b></p>  <p>Ø15*9mm</p>
<p>Screw</p>	<p>Wood Dowel</p>	<p>Screw</p>	<p>Cam-bolt</p>	<p>Cam-lock</p>
<p>6 PCS (Extra 2)</p>	<p>8PCS (Extra 2)</p>	<p>20PCS (Extra 4)</p>	<p>34PCS (Extra 4)</p>	<p>34PCS(Extra 4)</p>
<p><b>#6</b></p>  <p>78*34*26mm</p>	<p><b>#7</b></p>  <p>M4*12mm</p>	<p><b>#8</b></p> 	<p><b>#9</b></p> 	
<p>Handle</p>	<p>Round Head Bolt</p>	<p>Back Bracket</p>	<p>Safety Strap Kit</p>	<p>Phillips Screwdriver</p>
<p>5 PCS</p>	<p>10 PCS (Extra 2)</p>	<p>6 PCS (Extra 2)</p>	<p>2 SET</p>	<p>1 PC</p>

# Instructions For Fastening CAM-BOLT and CAM-LOCK

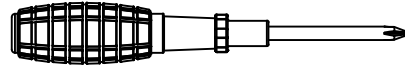


CAM-BOLT

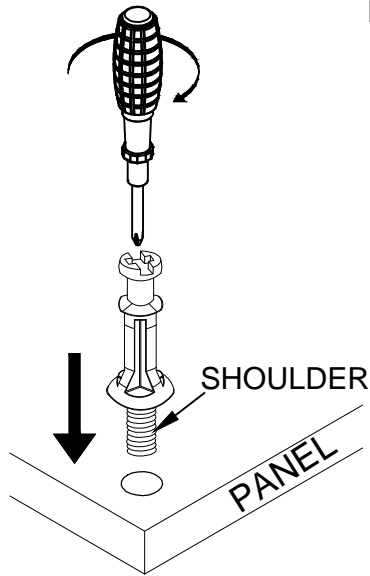


CAM-LOCK

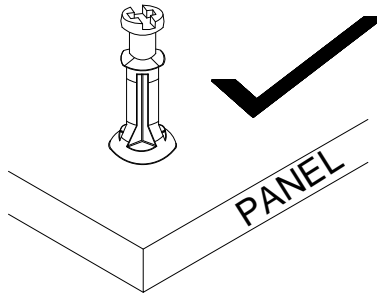
Tools Required



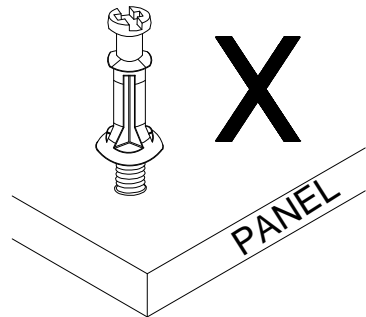
## INSERTING AND TIGHTENING CAM-BOLT



Place Cam-bolt on pre-drilled hole and screw in vertically



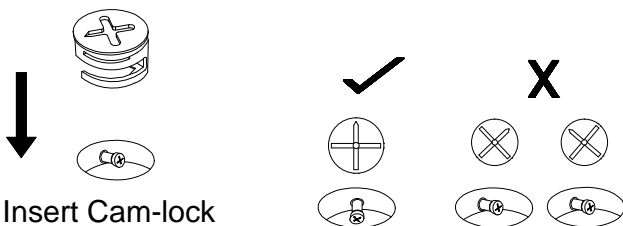
Shoulder is flushed (on the same level) with the panel.



Shoulder is above the panel.

Place Cam-bolt on the designated pre-drilled holes on the panel. Use a Phillips Screwdriver to screw-in Cam-bolt vertically until shoulder is flushed (on the same level) with panel.

## INSERTING CAM-LOCK



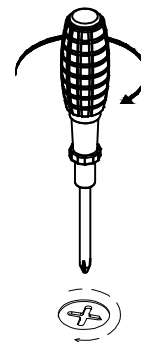
Insert Cam-lock with arrow align to Cam-bolt head

CORRECT

WRONG

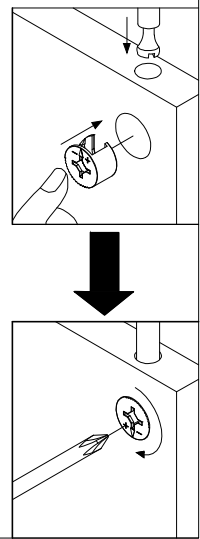
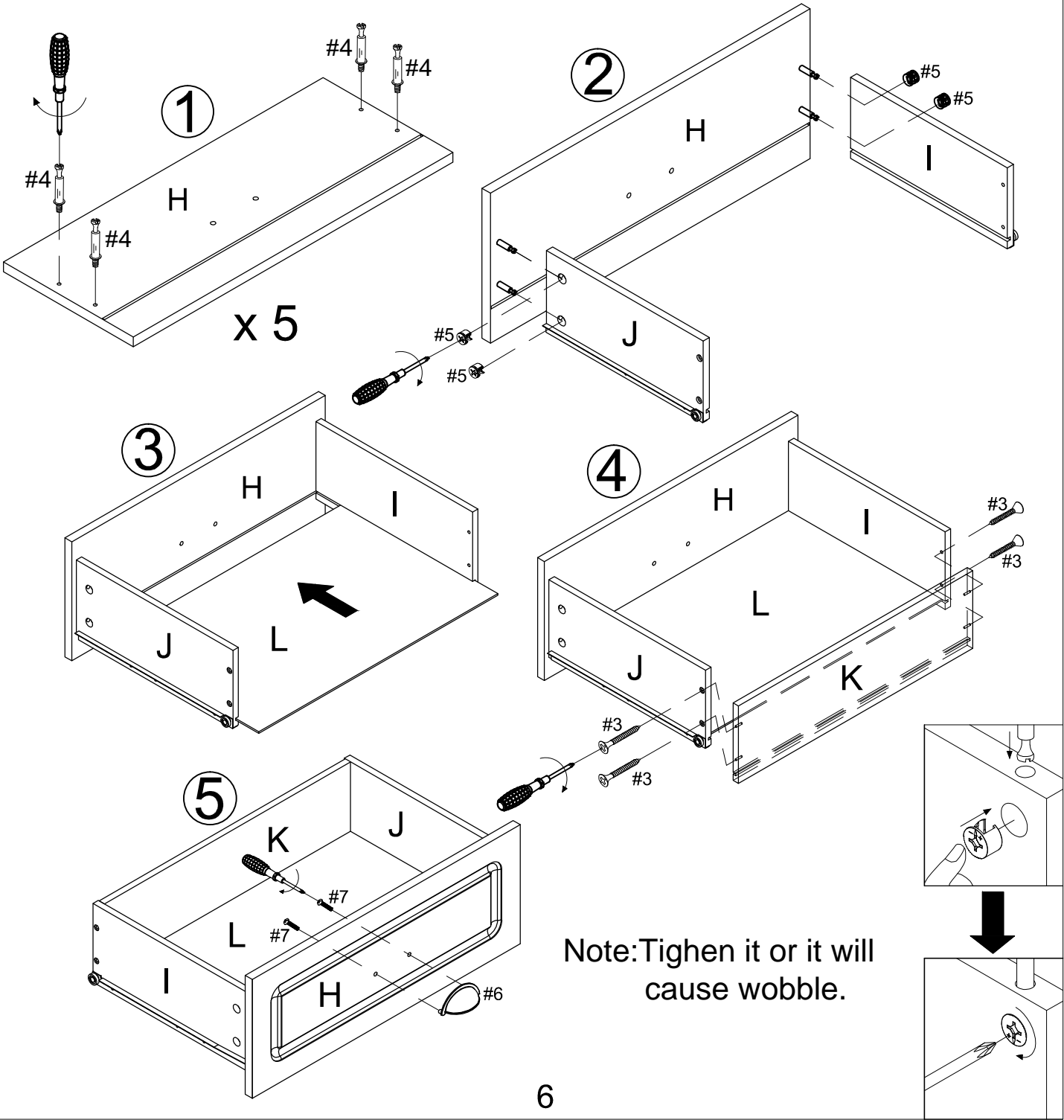
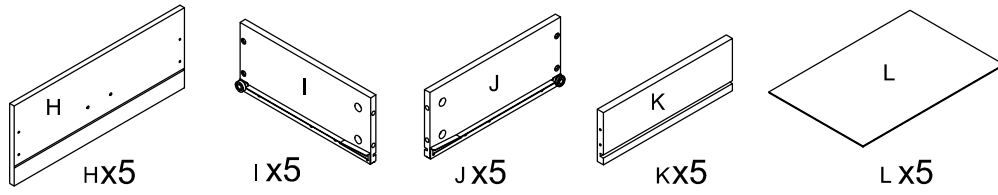
Align the arrow on the Cam-lock to the Cam-bolt head and insert the Cam-lock. Ensure Cam-lock is fully inserted.

## TIGHTENING CAM-LOCK

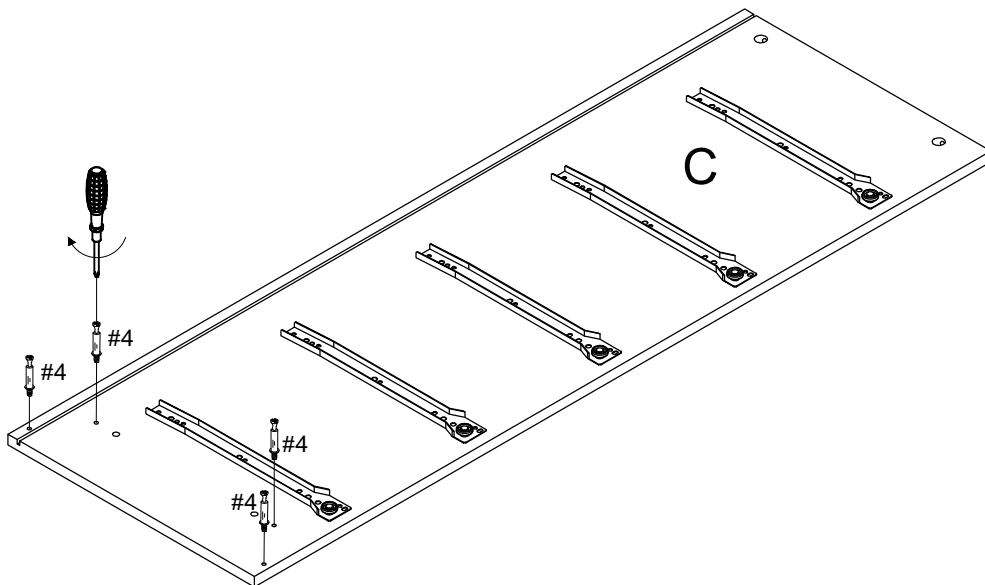
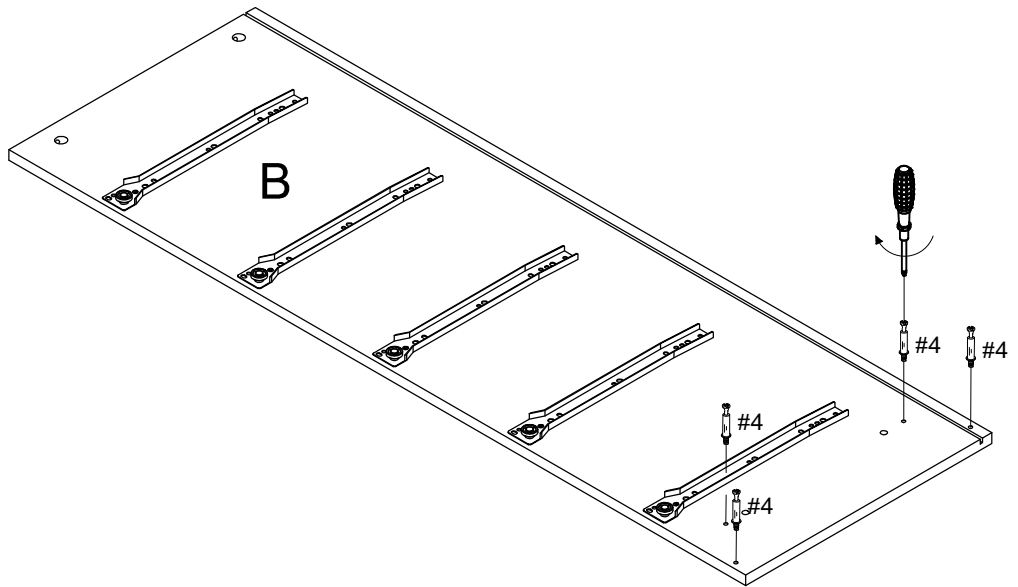
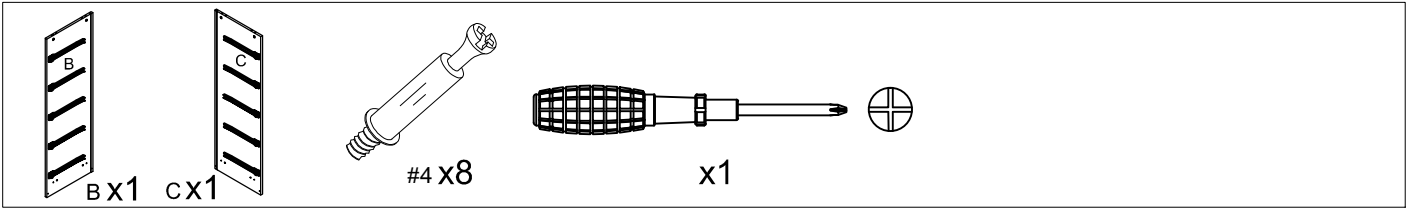


Use a Flat-head Screwdriver to turn Camlock clockwise so it locks onto the head of the Cam-bolt. Turn until it is snug (about 3/4ths of a turn) -- over-tightening could damage Cam-lock or/and Cam-bolt.

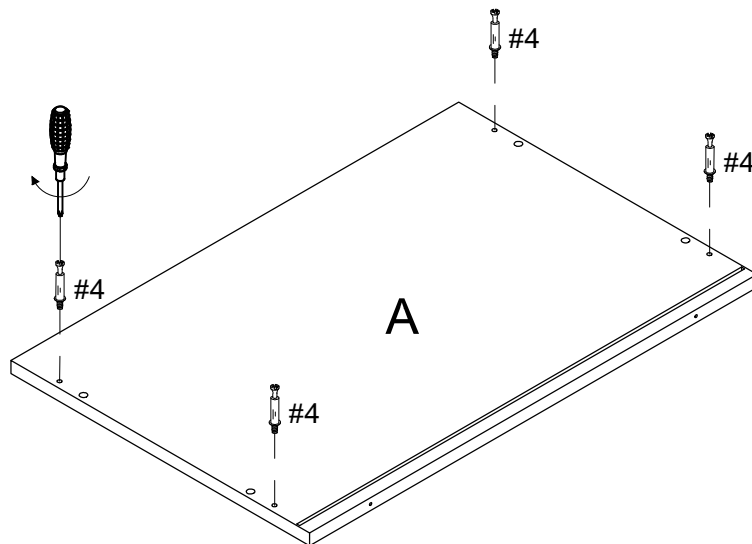
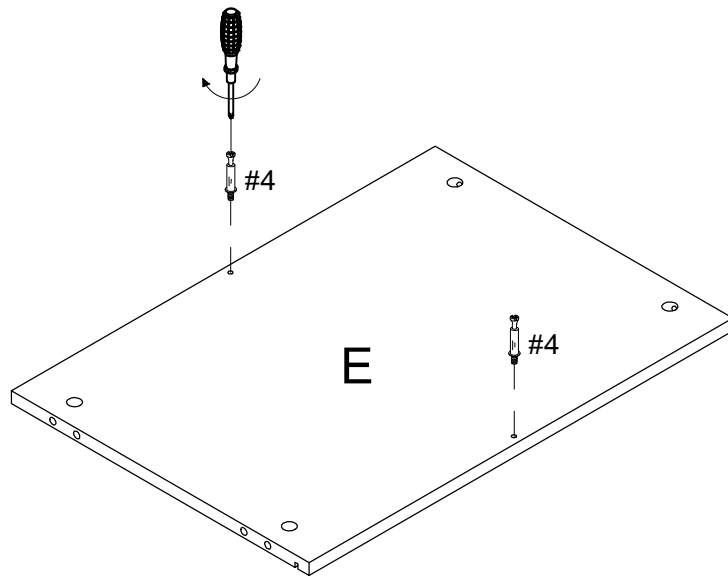
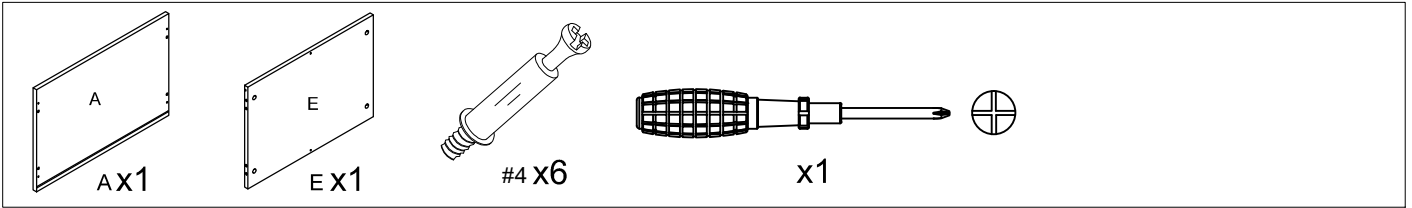
# Step 1.



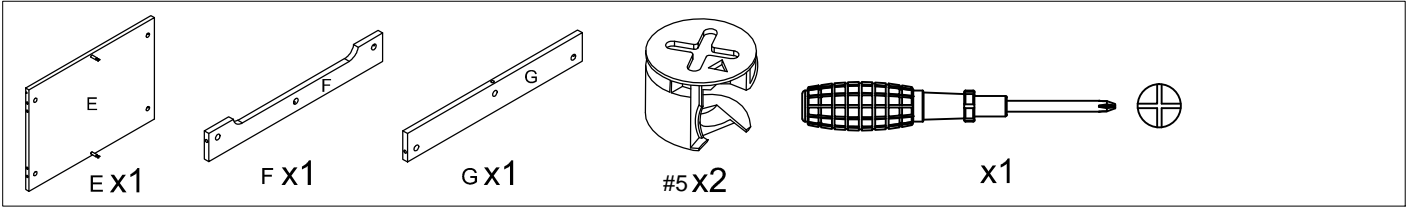
Step 2.



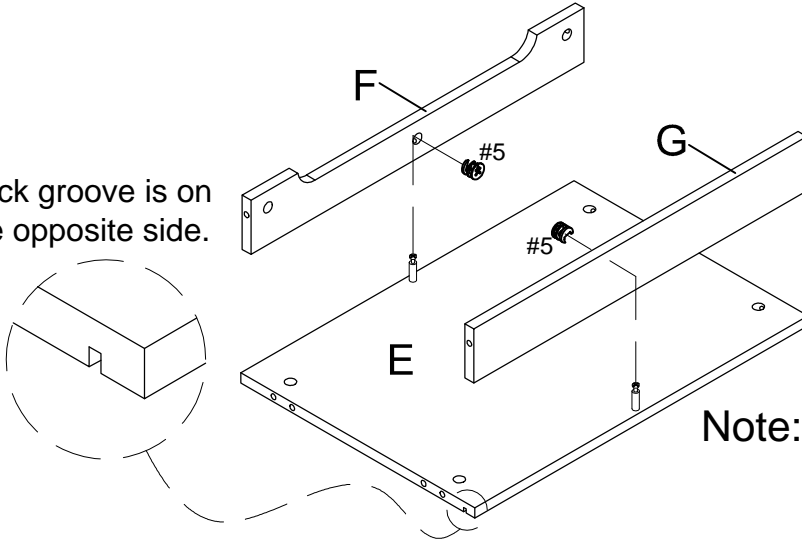
Step 3.



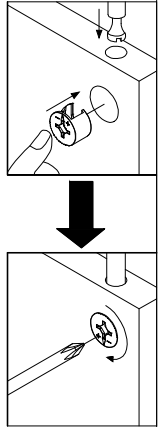
### Step 4.



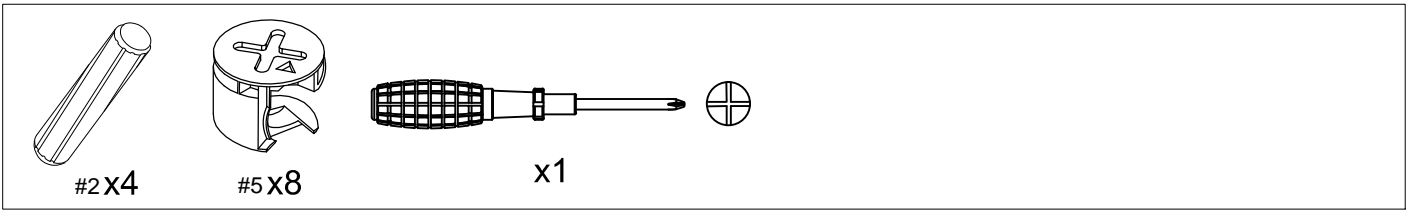
Back groove is on the opposite side.



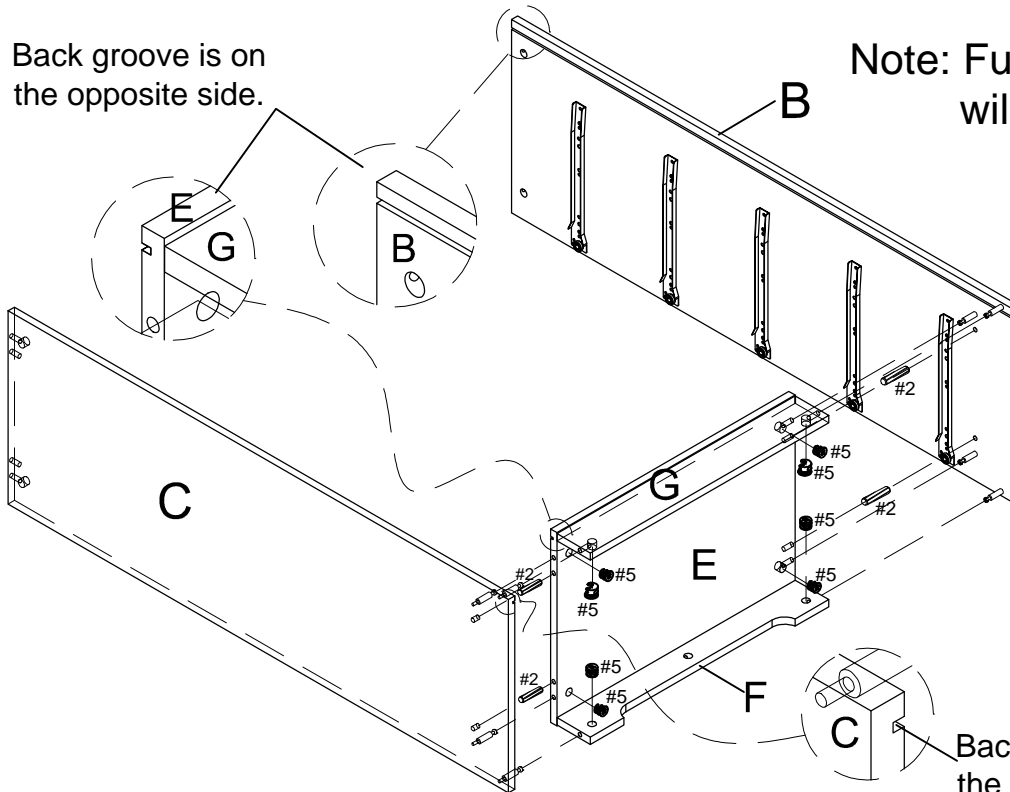
Note: Fully Tighen or it will cause wobble.



### Step 5.

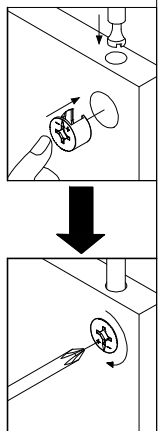


Back groove is on the opposite side.

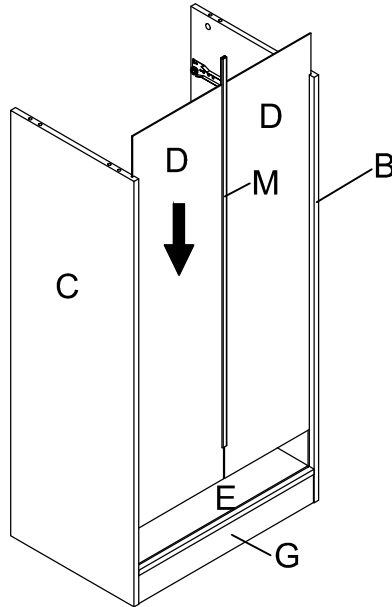
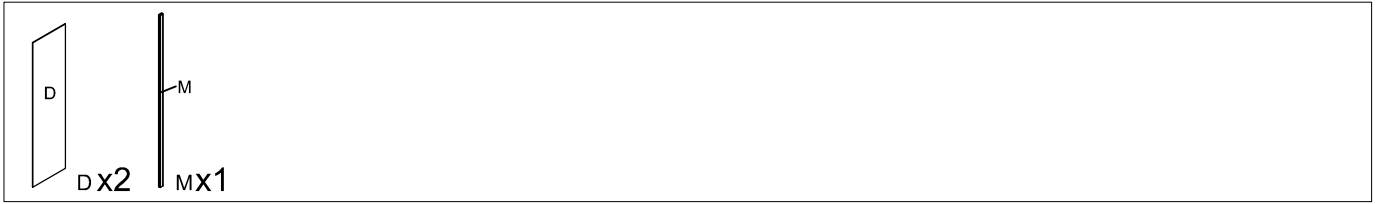


Note: Fully Tighen or it will cause wobble.

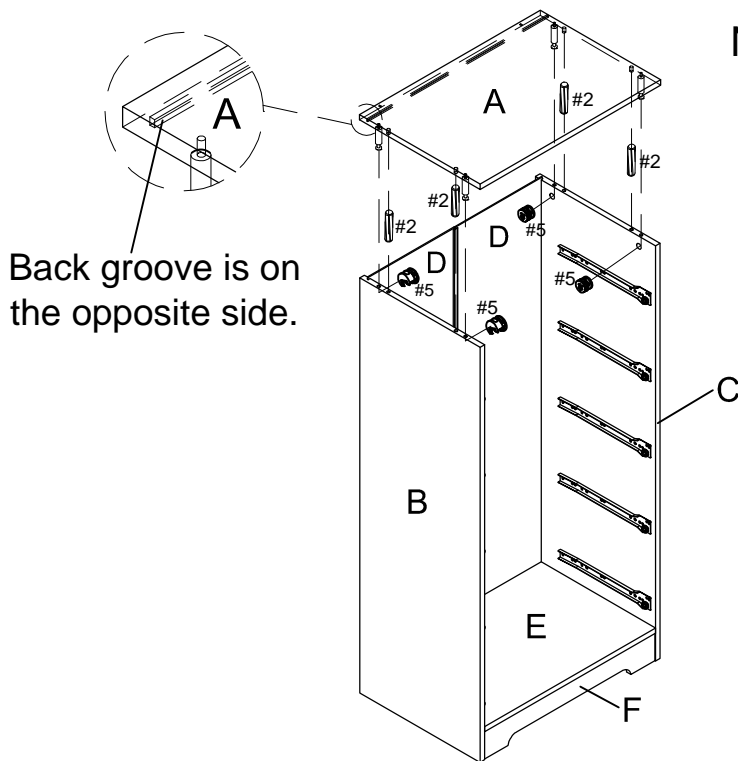
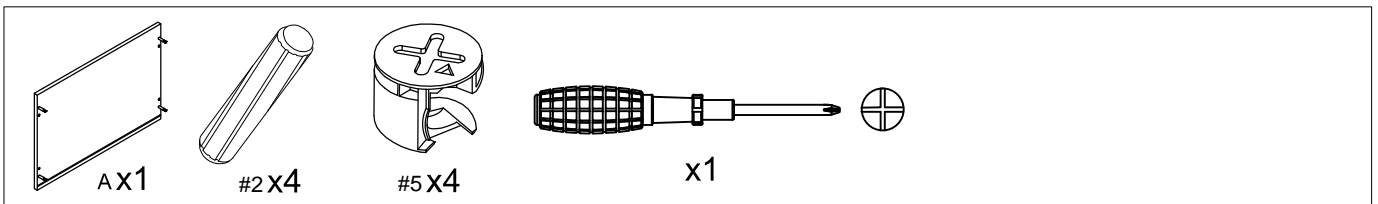
Back groove is on the opposite side.



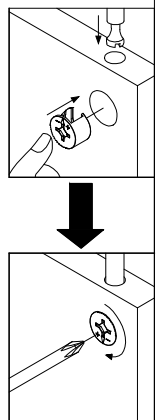
### Step 6.



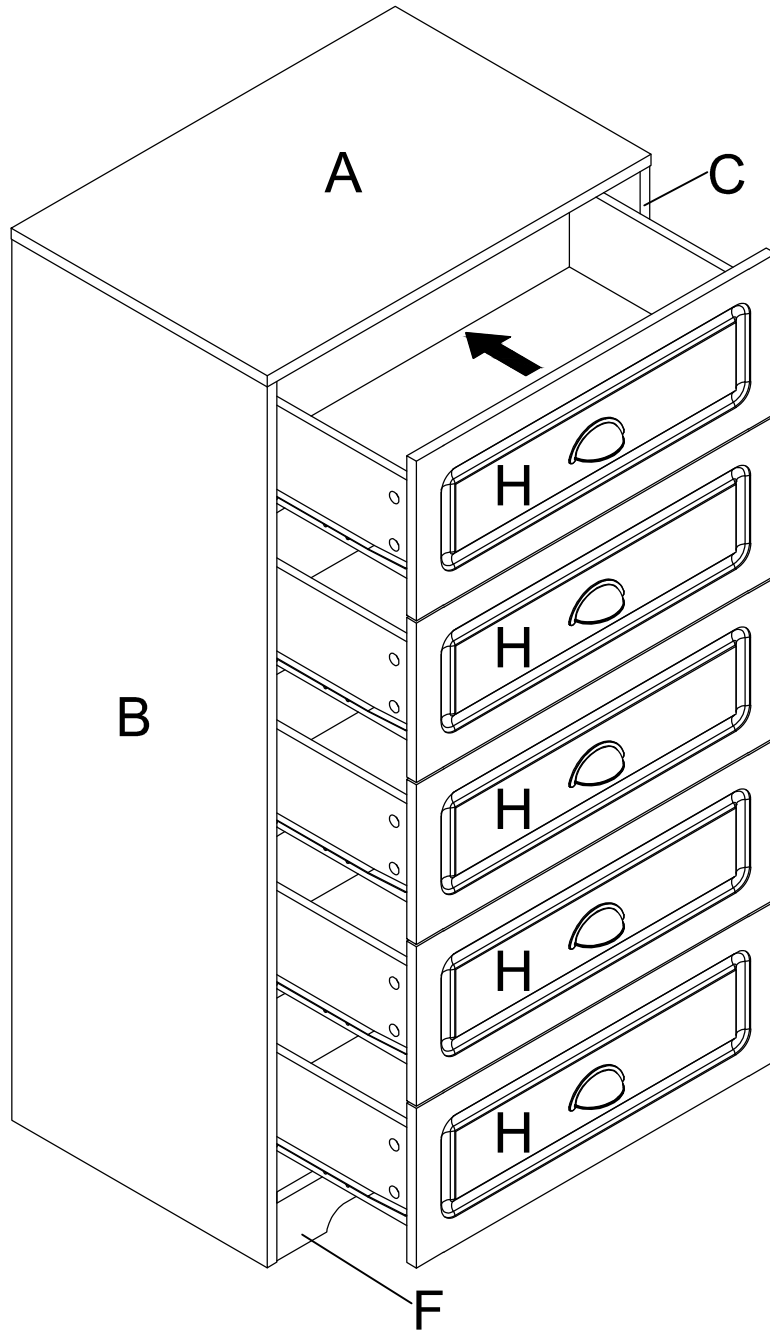
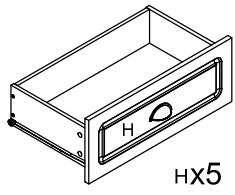
### Step 7.



Note: Fully Tighten or it will cause wobble.



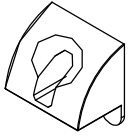
Step 8.



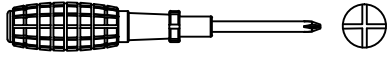
Step 9.



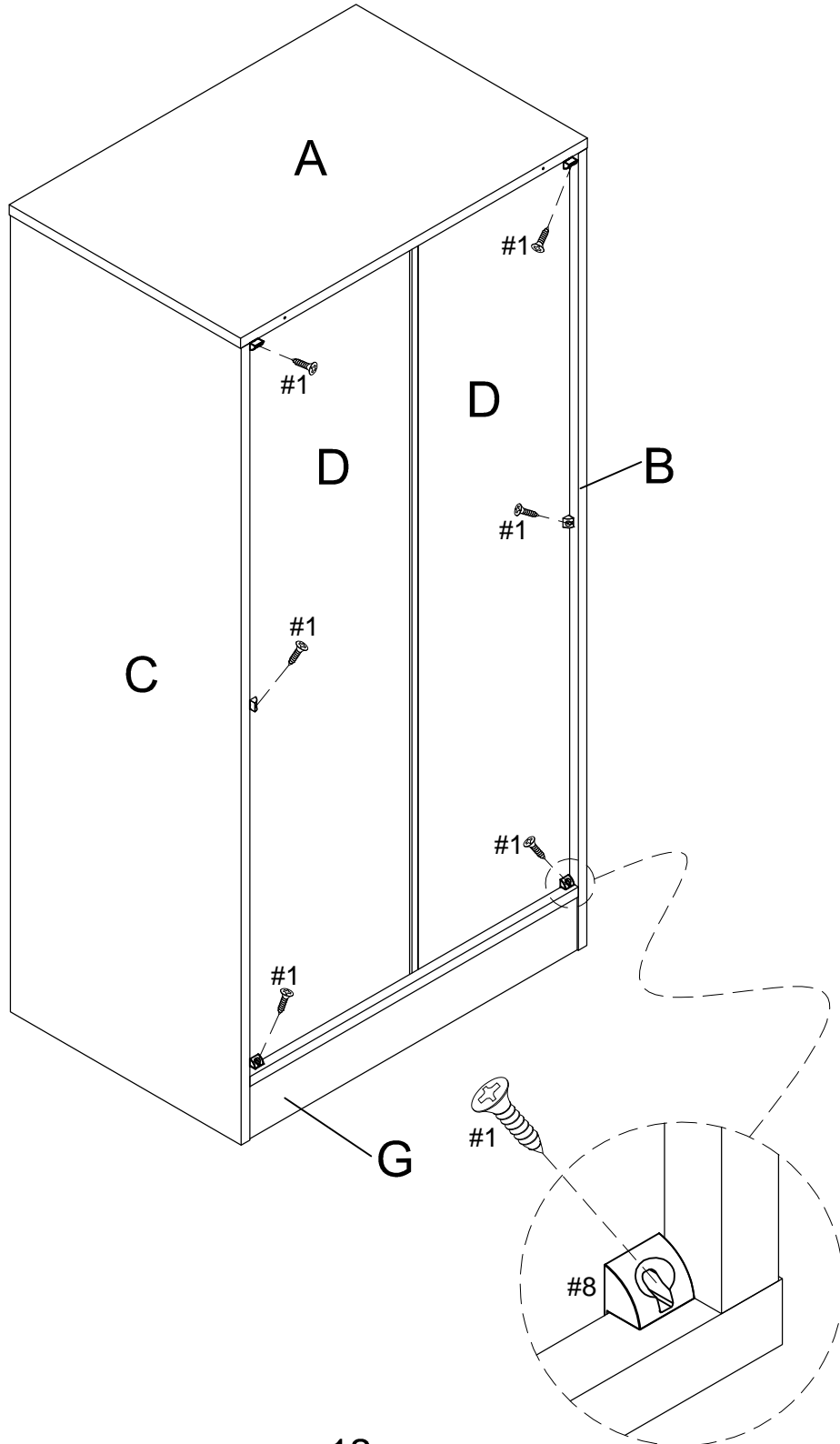
#1 x6



#8 x6



x1



#9

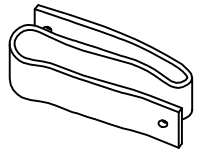
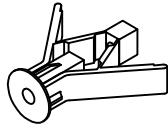
A

B

C

D

E



Safety Strap Kit

Wall Anchor

Washer

Short Screw

Long Screw

Safety Wall Strap

2 SET

2 PCS

4 PCS

2 PCS

2 PCS

2 PCS

Wall

