

Metal Coffee Table

If you have any questions about the metal armrest lounge set, please feel free to contact us.

Customer Service Email: Service@alaulm.com



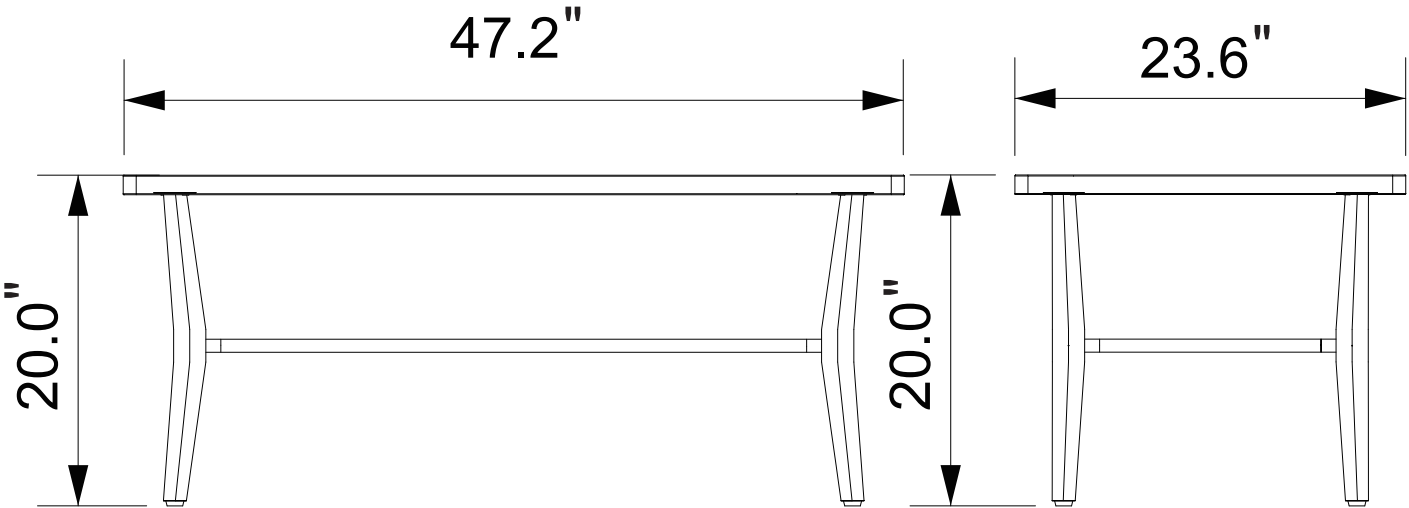
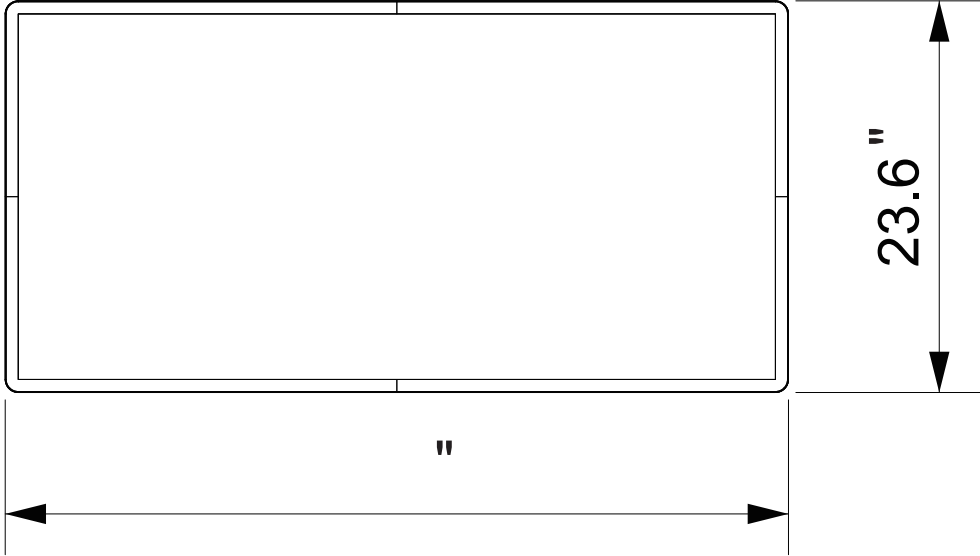
P25073-D1

IMPORTANT

PLEASE READ BEFORE YOU COMMENCE ASSEMBLY

Follow the guidelines in this user guide to ensure correct assembly and care for this product.

SPECIFICATIONS



Catalog

Specifications..... 01

Catalog..... 02

Care & Instructions 03

Part List And Screw Set List..... 04

Extra04

How to Use The Coffee Table 06

Before You Begin

Assembly Instructions:

Instructions are supplied in this manual and contain all appropriate information for your building model.

Review all instructions before you begin and during assembly, follow the step sequence carefully for correct results.

Parts and Parts List:

Check to be sure that you have all the necessary parts for building.

Separate contents of the carton by the part number while reviewing parts list.

Familiarize yourself with the hardware and fasteners for easier use during construction.

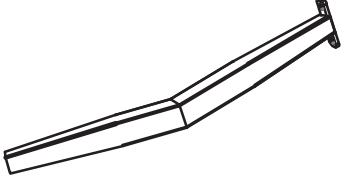
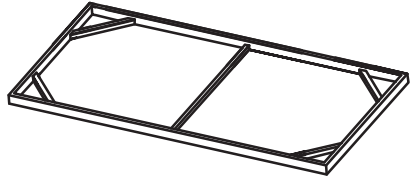
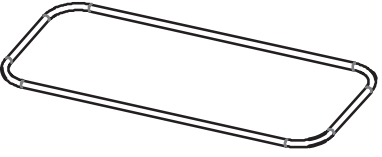
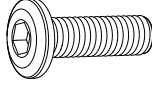
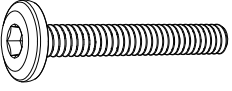


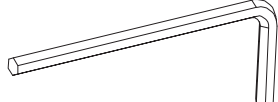
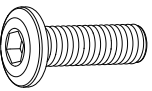
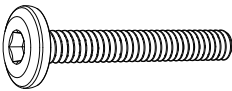
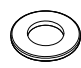

The first few steps show how to join related parts which is to obtain larger sub-assemblies be used later.

All parts are packaged within the carton.

Note that extra fasteners have been supplied for your convenience.

PART LIST

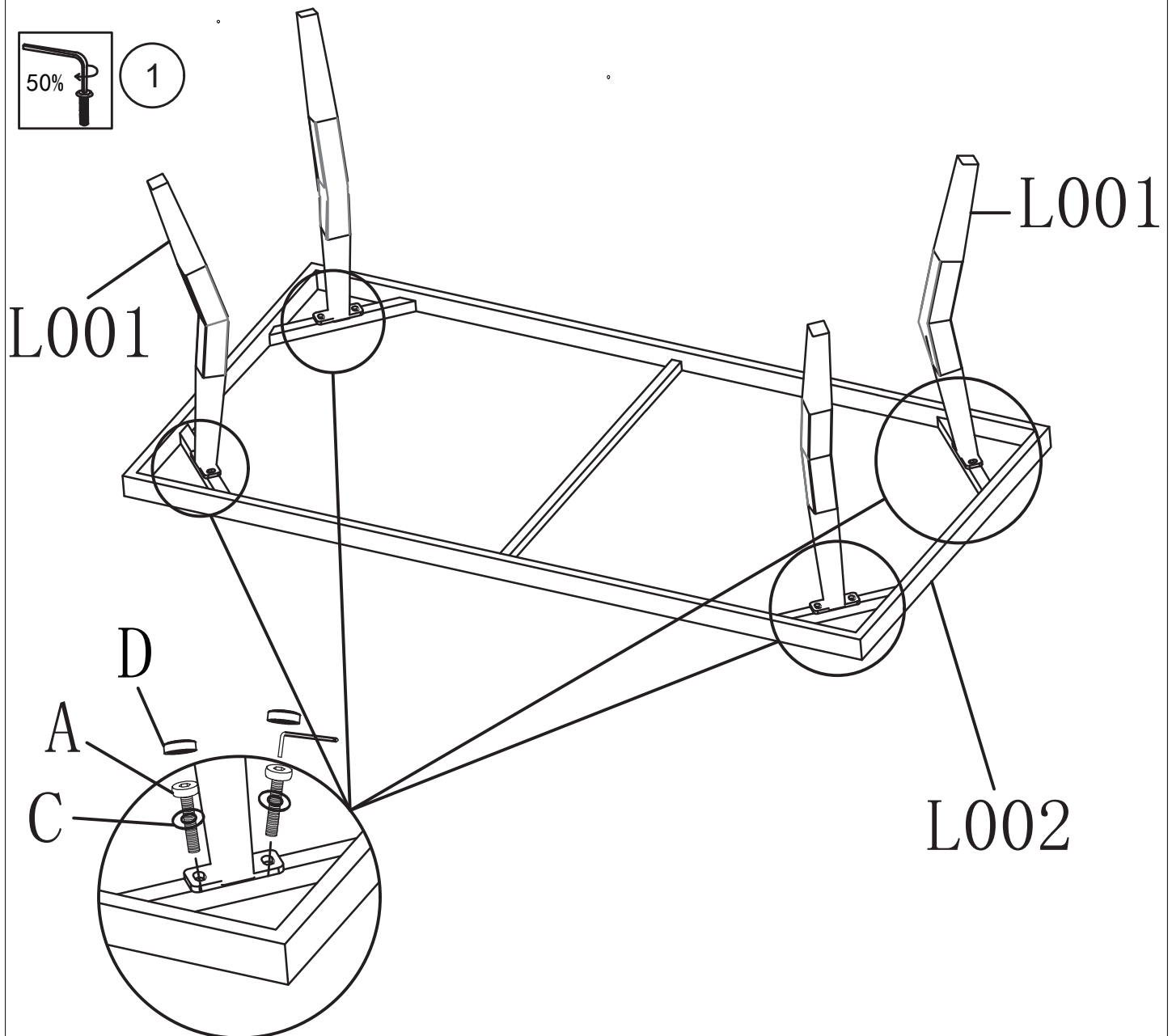
Parts List

<p>L001</p>  <p>Coffee Table legs</p>	<p>L002</p>  <p>Coffee Table Top</p>		
<p>4 PC</p>	<p>1 PCS</p>		
<p>L003</p>  <p>Connection frame</p>	<p>Screw Set A List</p> <p>A</p>  <p>M6x20</p>		
<p>1 PC</p>	<p>8 PC</p>		
<p>Screw Set A List</p>			
<p>B</p>  <p>M6x35</p>	<p>C</p>  <p>M6 Washer</p>	<p>D</p>  <p>M6 Bolt Cap</p>	<p>E</p>  <p>M6 Allen Key</p>
<p>4 PCS</p>	<p>12 PCS</p>	<p>12 PCS</p>	<p>1 PC</p>
<p>Extra (Screw Set A)</p>			
<p>A</p>  <p>M6x20</p>	<p>B</p>  <p>M6x35</p>	<p>C</p>  <p>M6 Washer</p>	<p>D</p>  <p>M6 Bolt Cap</p>
<p>1 PC</p>	<p>1 PC</p>	<p>1 PCS</p>	<p>1 PCS</p>

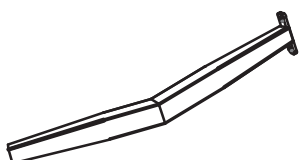
How To Assemble The Coffee Table

Step 1: Connect the coffee table legs(L001) to the coffee table top (L002) with screw(A).

NOTE: Do not tighten the screws all the way.

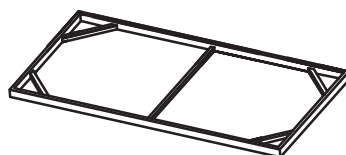


L001



x4

L002



x1

A M6*20 x8

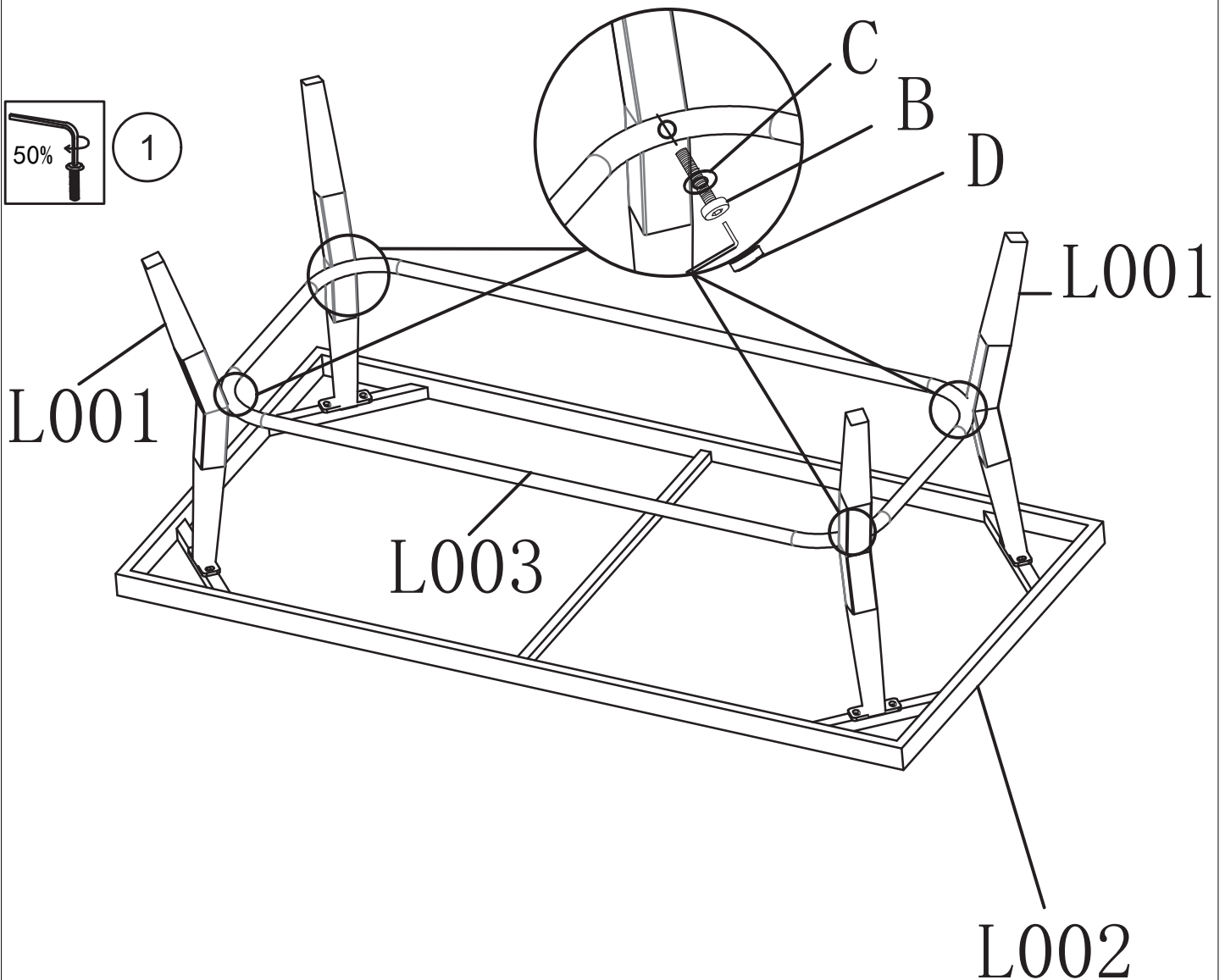
C M6 Washer x8

D M6 Bolt Cap x8

How To Assemble The Coffee Table

Step 2: Connect the coffee table legs(L001) to the connection frame (L003) with screws(B).

NOTE: Please fully tighten all bolts at this time.

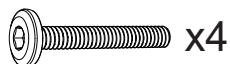


L003



x1

B



x4

M6x35

C



x4

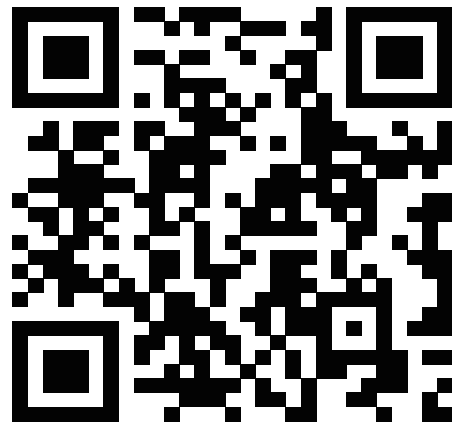
M6 Washer

D



x4

M6 Bolt Cap



www.alaulm.com

Make your life much better.