



# Pro-Inspired 33" top-/undermount single-bowl kitchen sink kit K-RC78957-1PC

## Features

- 36" minimum base cabinet width
- Single bowl
- 9" (229 mm) depth provides generous workspace
- Tightly angled fabricated corners maximize bowl space
- Professional-style faucet with an easy-to-clean coated hose and removable coil
- Three-function pull-down sprayhead with touch control allows you to switch between aerated stream, Sweep® spray, and Boost technology
- Sweep® spray creates a wide, forceful blade of water for superior cleaning
- Boost technology increases the flow rate by 30% with the press of a button
- Box includes: Sink, assembled Vibrant® Stainless semi-professional faucet, supply lines, bamboo cutting board, silicone sink mat, drain with strainer, installation hardware

## Material

- Premium 18-gauge stainless steel
- Premium metal construction for durability and reliability

## Installation

- Top-mount or undermount
- Single hole
- Cutting board slides on sink ledge when sink is top-mounted or across the countertop when under-mounted

## Recommended Products/Accessories

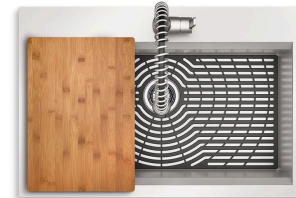
- K-23726 Drain treatment
- K-23729 Stainless steel cleaner

## Optional Products/Accessories

- K-9000 P-Trap
- K-21616 Stainless steel sink rack
- K-11352 Disposal Flange with Stopper
- K-8801 Sink drain and strainer with tailpiece
- K-8799 Sink drain and strainer basket

## Included Components

- 1420840-VS Vibrant Stainless semi-professional kitchen faucet
- K-21613 Bamboo cutting board
- 7400 Stainless Steel Sink Drain and Strainer
- K-78956 Silicone sink mat

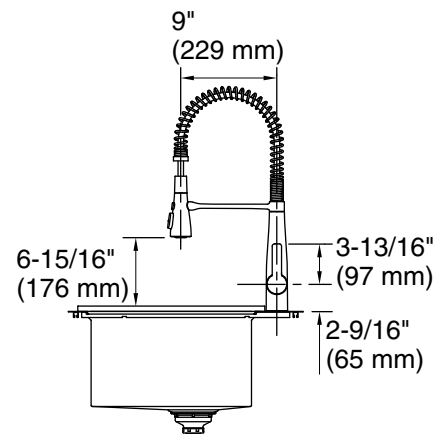
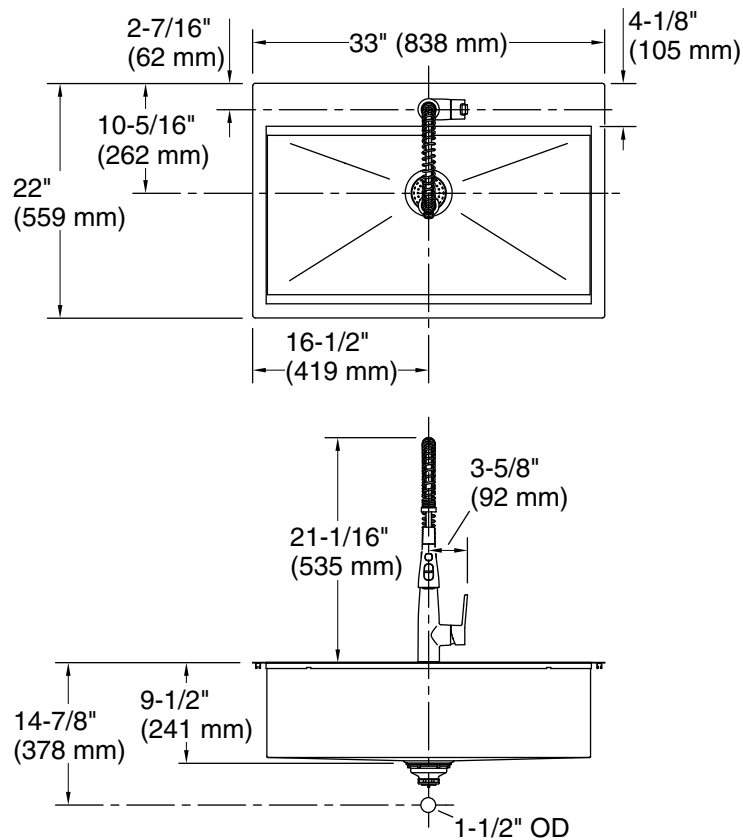


## Codes/Standards

- ASME A112.18.1/CSA B125.1
- ASME A112.19.3/CSA B45.4
- NSF/ANSI/CAN 61
- NSF/ANSI/CAN 372
- DOE - Energy Policy Act 1992
- California Energy Commission (CEC)

## KOHLER® Stainless Steel Sinks Lifetime Limited Warranty KOHLER® Faucet Lifetime Limited Warranty

See website for detailed warranty information.



### Technical Information

All product dimensions are nominal.

Basin configuration: Single Bowl  
Min. base cabinet width: 36" (914 mm)

Bowl area (Only): Length: 30-1/4" (768 mm)  
Width: 14-15/16" (379 mm)  
Bowl depth: 9-3/16" (233 mm)  
Water depth: 9-3/16" (233 mm)

With overflow: No

Number of deck holes: 1

Faucet hole(s): 1-7/16" (37 mm)

Drain hole: 3-3/4" (94 mm)

Template: Top-mount/Undermount, 1130821-7, required, included

### Notes

Install this product according to the installation instructions.