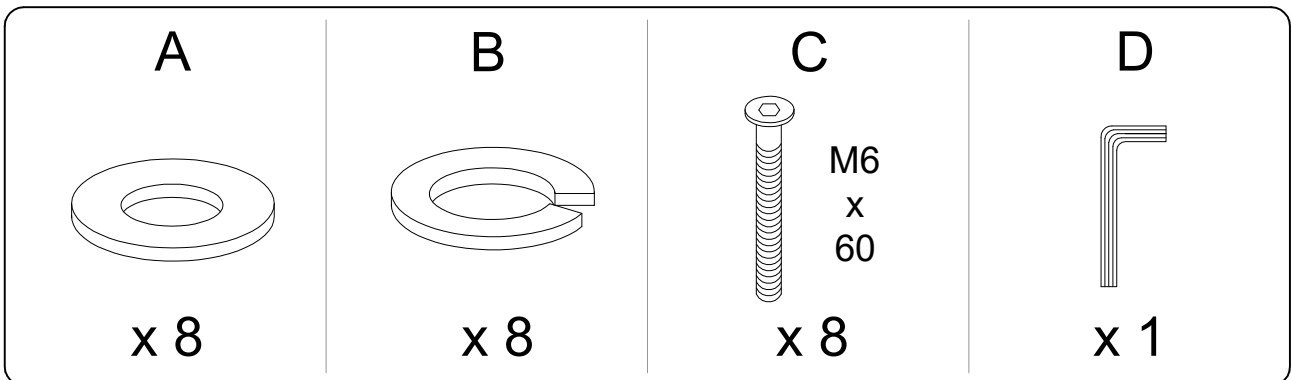
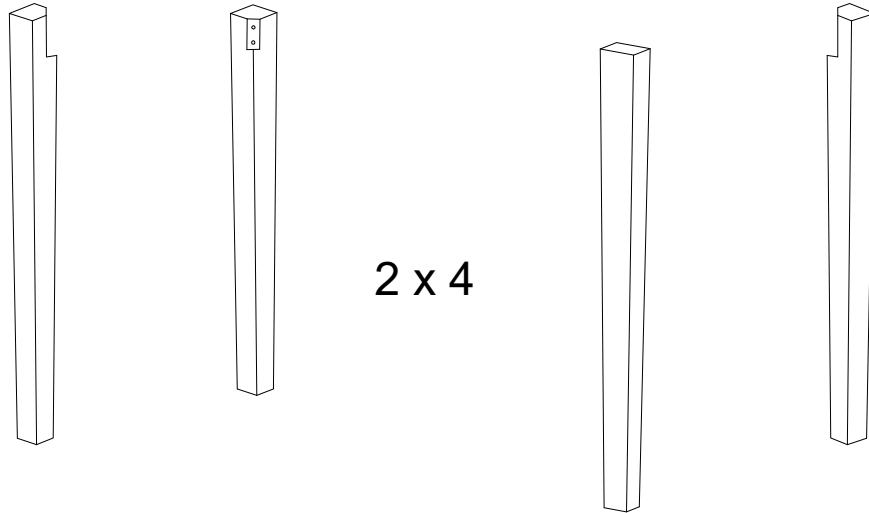
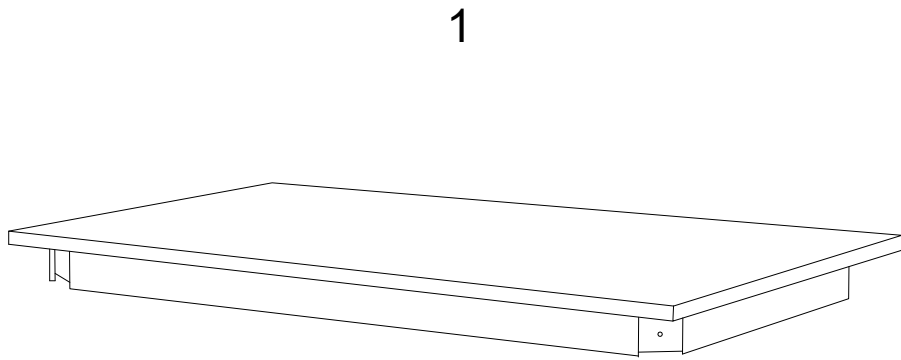
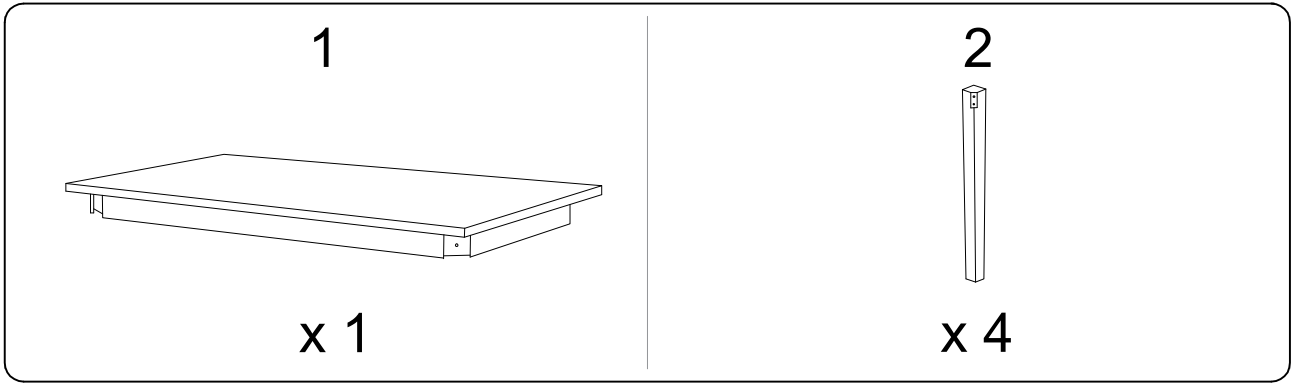


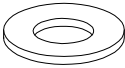

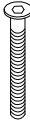
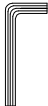


Diagram illustrating assembly instructions and safety warnings:

- Warning 1:** A triangular warning symbol with an exclamation mark is connected by a vertical line to a box containing:
  - A circular icon showing an L-shaped corner bracket.
  - An icon of a power drill with a diagonal slash through it, indicating that a power drill should not be used.
- Warning 2:** A triangular warning symbol with an exclamation mark is connected by a vertical line to a box containing:
  - A circular icon showing a rectangular block being placed on a textured surface.
  - An icon of a rectangular block with a diagonal slash through it, indicating that the block should not be placed on a soft or uneven surface.
- Time:** A clock icon with the text "30'" below it, indicating a 30-minute assembly time.
- Person:** An icon of a person with the text "1" below it, indicating that one person is required for assembly.



1

1	2	A	B	C	D
					
x 1	x 4	x 8	x 8	x 8	x 1

