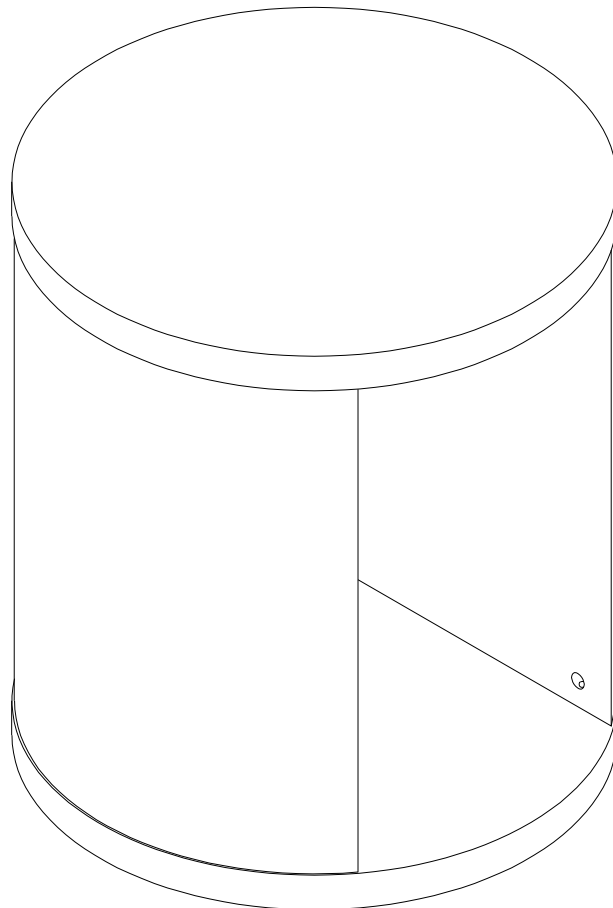


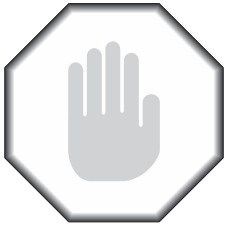


**MANHATTAN  
COMFORT**

---

**ET1833**



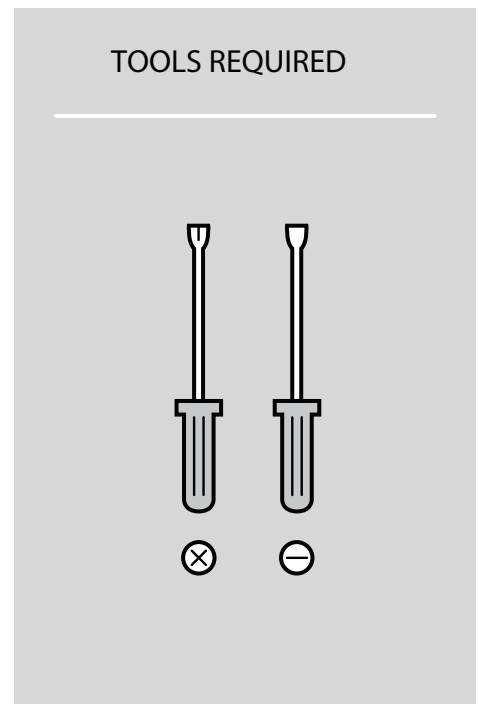
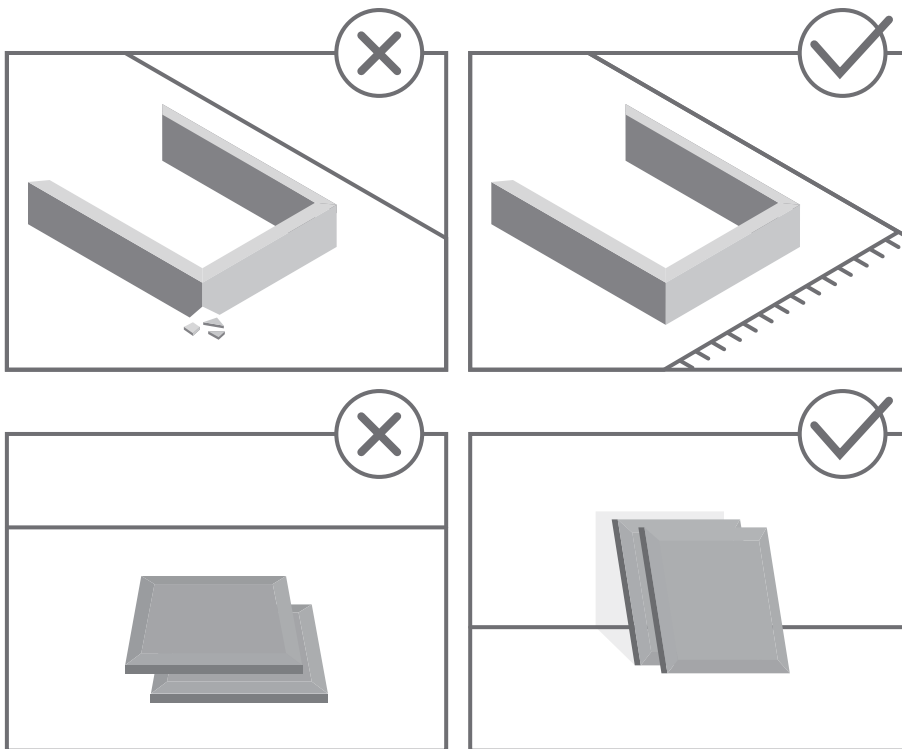


# STOP!

Before beginning the assembly process, ensure all boxes and parts have been delivered.

## FOR BEST RESULTS:

- Do not throw away packaging materials until assembly is complete.
- Assemble item on a soft surface, such as cardboard or carpet, to protect finish.
- Proper assembly requires two people.



View our assembly video online:  
[WWW.MANHATTANCOMFORT.COM](http://WWW.MANHATTANCOMFORT.COM)



Stuck? Question? We are here to help.  
tel: 908-888-0818  
e-mail: [help@manhattancomfort.com](mailto:help@manhattancomfort.com)

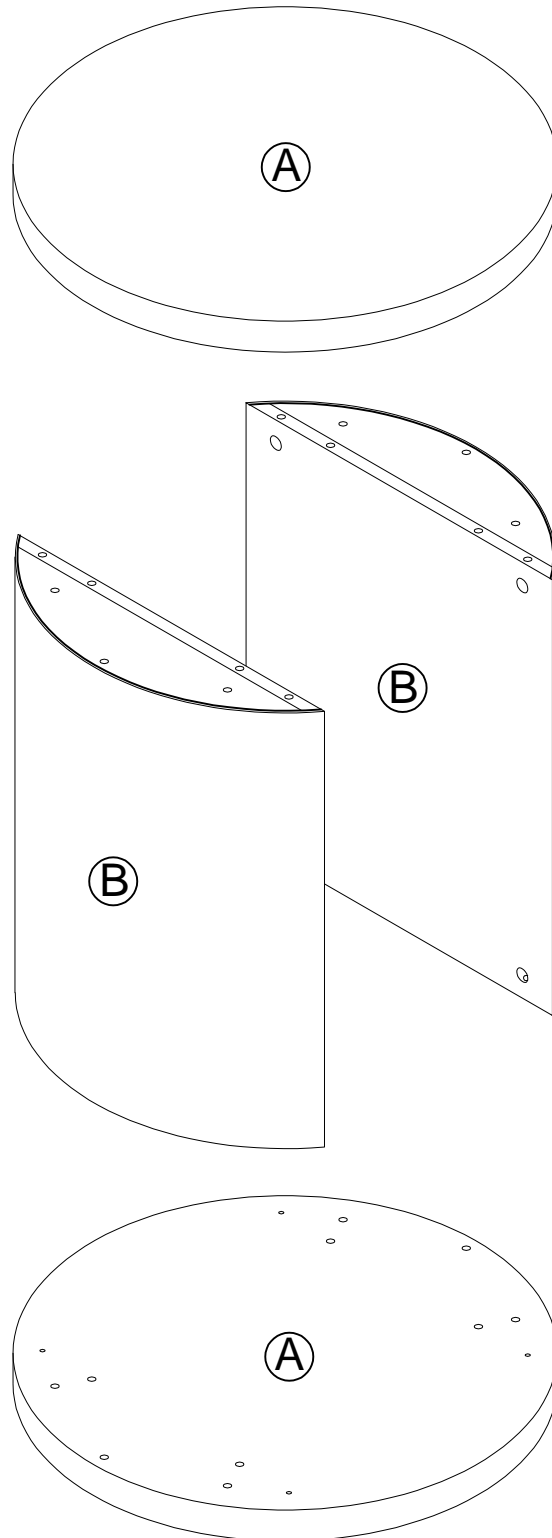
Support Site



## Included in this package:

---

- A. TOP/BOTTOM PANEL(2)
- B. SIDE PANEL (2)



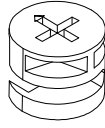
# Hardware Identification

---

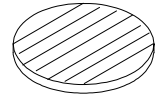
① KD BOLT - 12pcs  
L=35mm



② KD CAM - 12pcs  
Ø15\*11mm

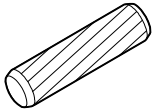


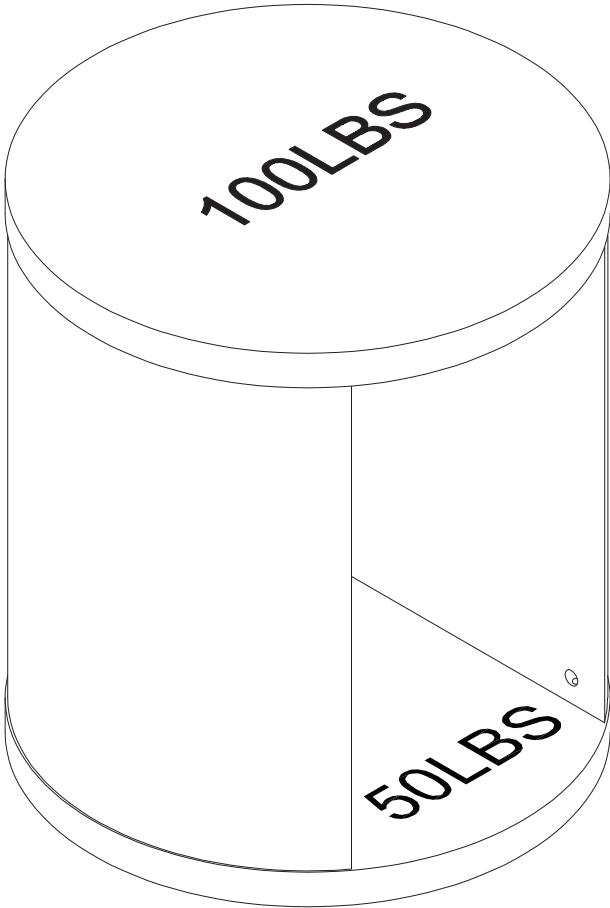
③ COVER CAP - 12pcs



---

④ WOOD DOWEL - 20pcs  
Ø8\*30mm

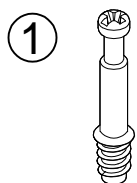




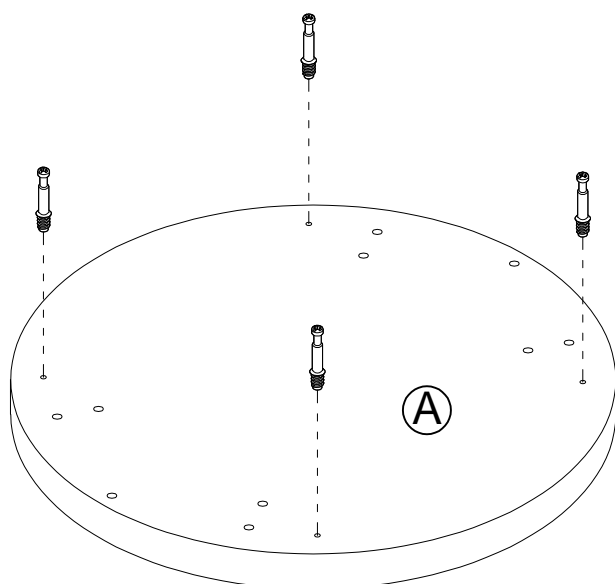
## Step 1:

---

\* Insert Eight KD BOLT (1) to the Two TOP/ BOTTOM PANEL (A).



( 8 PCS )



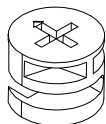
**x2**

## Step 2:

---

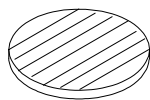
\* Attach the Two SIDE PANEL (B) to the TOP/ BOTTOM PANEL (A) by the Four KD LARGE CAM (2) , Four COVER CAP (3) and Ten WOOD DOWEL (4) .

②



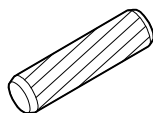
( 4 PCS )

③

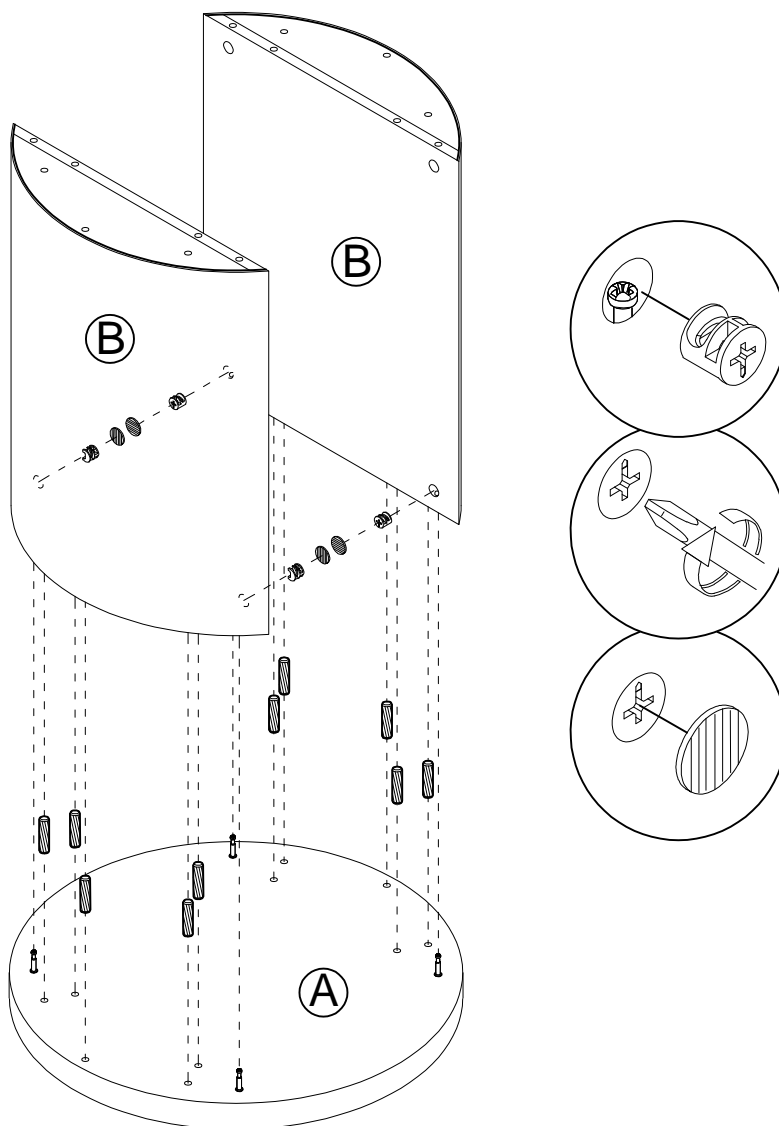


( 4 PCS )

④



( 10 PCS )

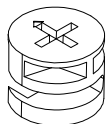


## Step 3:

---

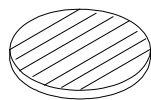
\* Attach the TOP/ BOTTOM PANEL (A) to the Two SIDE PANEL (B) by the Four KD LARGE CAM (2) , Four COVER CAP (3) and Ten WOOD DOWEL (4) .

②



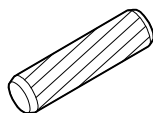
( 4 PCS )

③

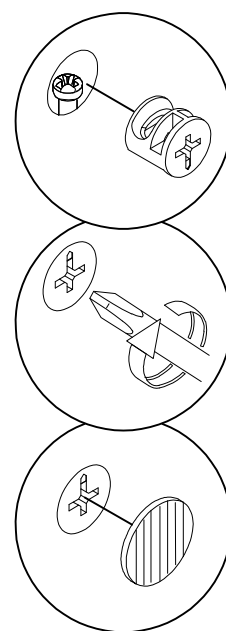
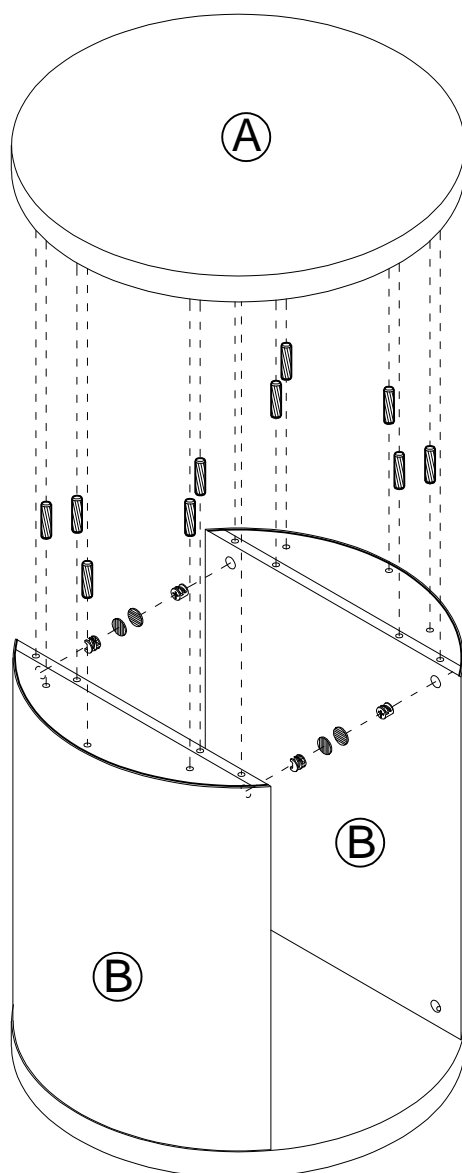


( 4 PCS )

④



( 10 PCS )





---

## WARRANTY POLICY

All Manhattan Comfort furniture products are warranted, to the original purchaser at the time of purchase and for a period of 30 days thereafter.

Our warranty is limited to new products purchased in factory sealed cartons. This warranty is valid in the United States of America and Canada.

In order to provide you with timely assistance, please thoroughly inspect your furniture for missing or defective parts immediately after opening the carton.

Manhattan Comfort offers a 30-day parts replacement warranty on all items.

Our furniture products are not intended for outdoor use.

### THE WARRANTY DOES NOT COVER:

- Defects/damages by improper assembly or disassembly.
- Defects/damages caused by shipping. Claims for damage during transit should be placed immediately to the transportation company.
- Defects/damages caused by inappropriate use of the furniture.



319 Ridge Rd. Dayton, NJ 08810

908-888-0818