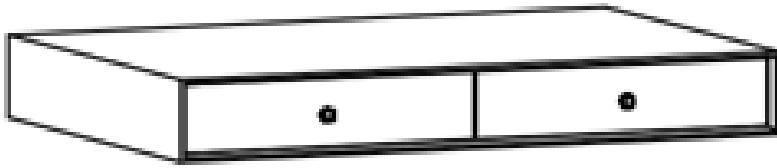


ITEM NO: 100121

ASSEMBLY INSTRUCTIONS

Do not fully tighten bolts & screws until the entire item is completely assembled.
Two People required for assembly.

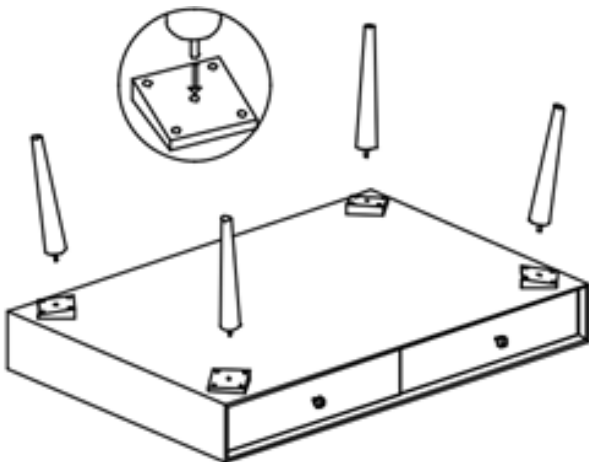


A
1X

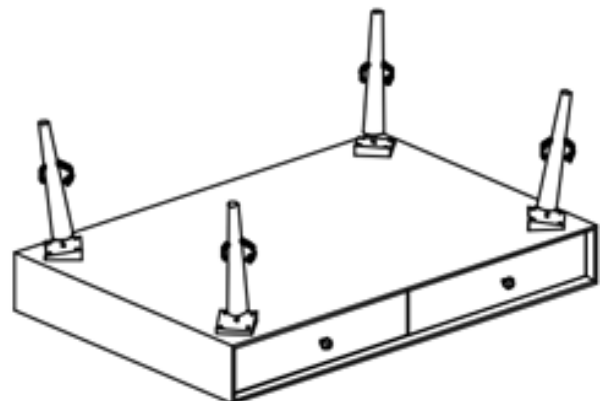


B
4X

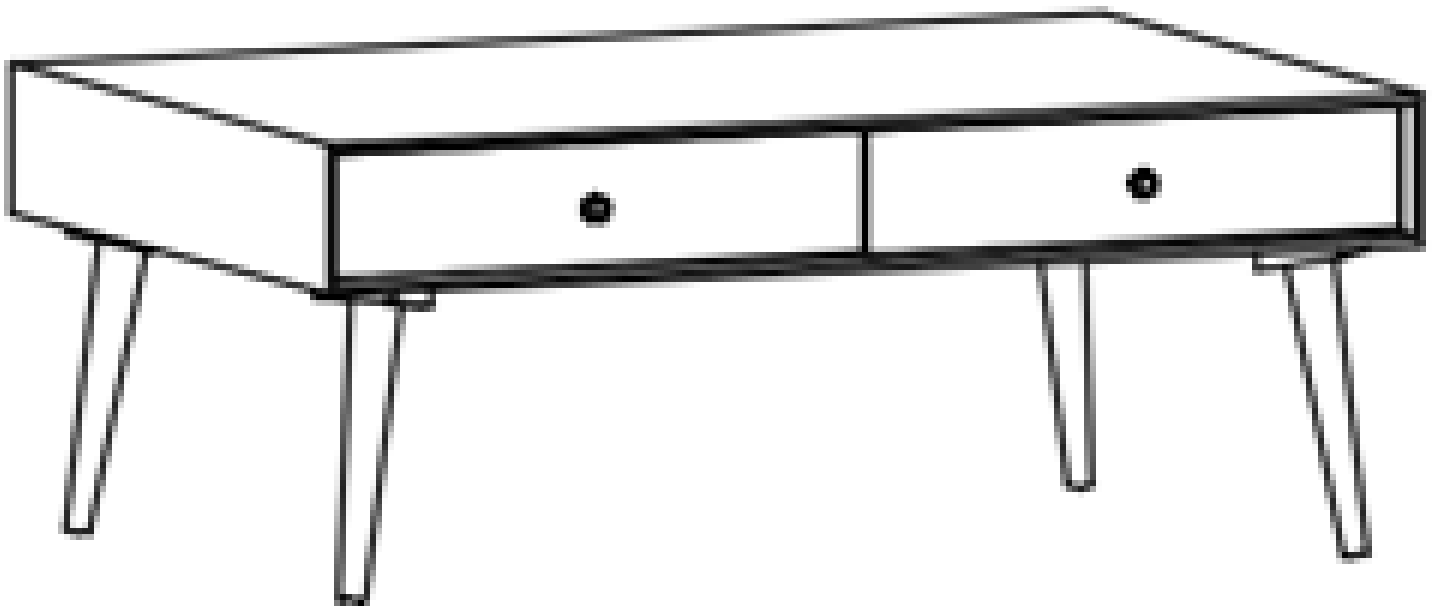
Step - 1



Step - 2



For user safety periodically verify tighten all fittings



For user safety periodically verify tighten all fittings