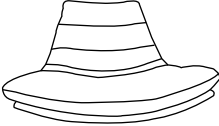
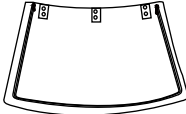


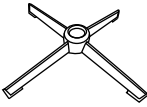

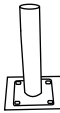
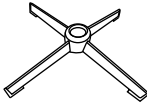
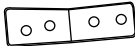





ASSEMBLY INSTRUCTION

Accent Chair
DY-WX19119KD

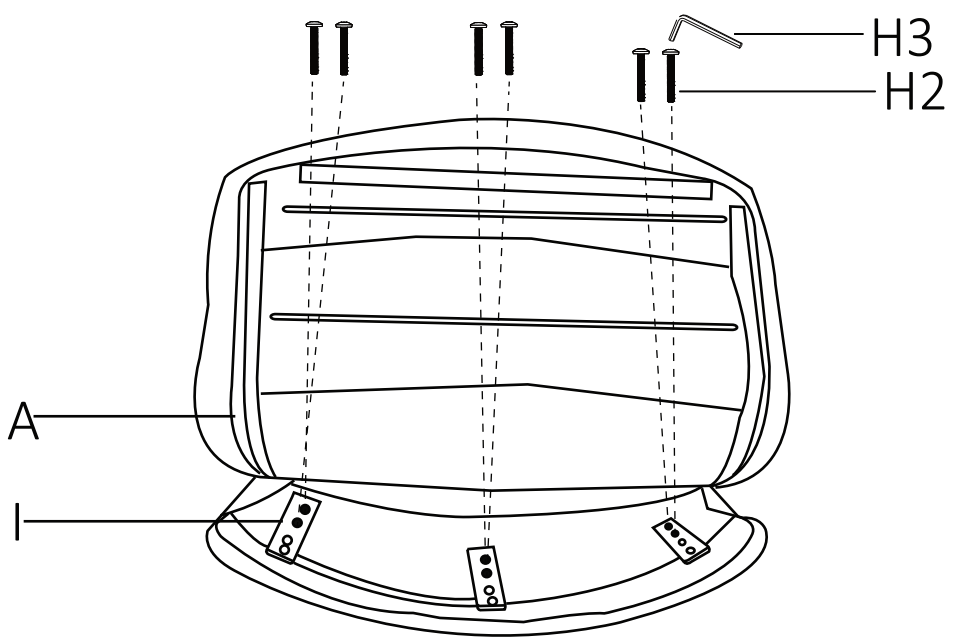


Component List			
LABEL		DESCRIPTION	QTY
A		Chair Back	1
B		Seat	1
C		Metal connector	1
D		Gas Lift	1
E		Star Base	1
F		Footrest	1
G		Metal Connecting Rod	1
H		Star Base	1
I		L Brackets	3

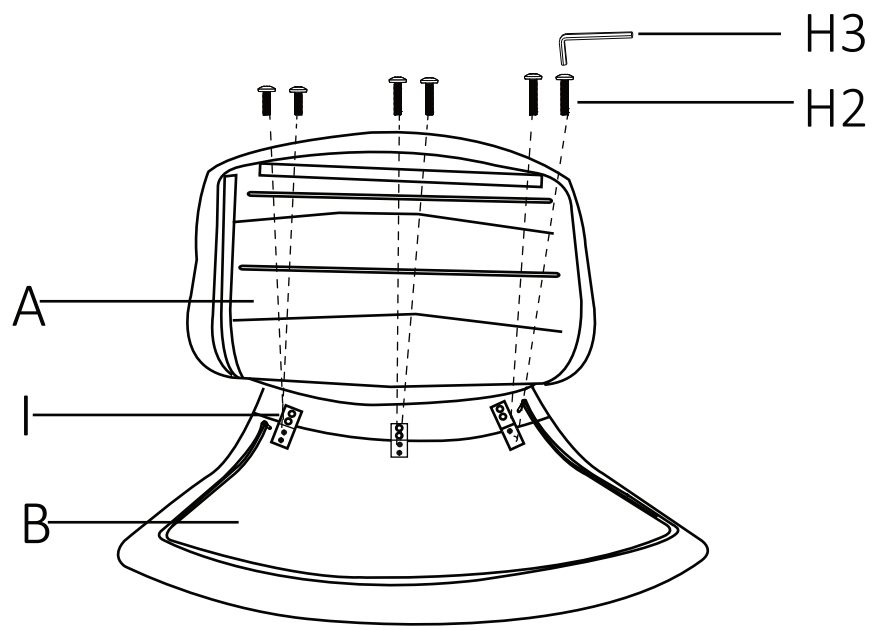
Hardware List			
LABEL		DESCRIPTION	QTY
H1	 M6*18	Bolts	8
H2	 M6*25	Bolts	12
H3		Allen Key	1

Assembly Steps

1

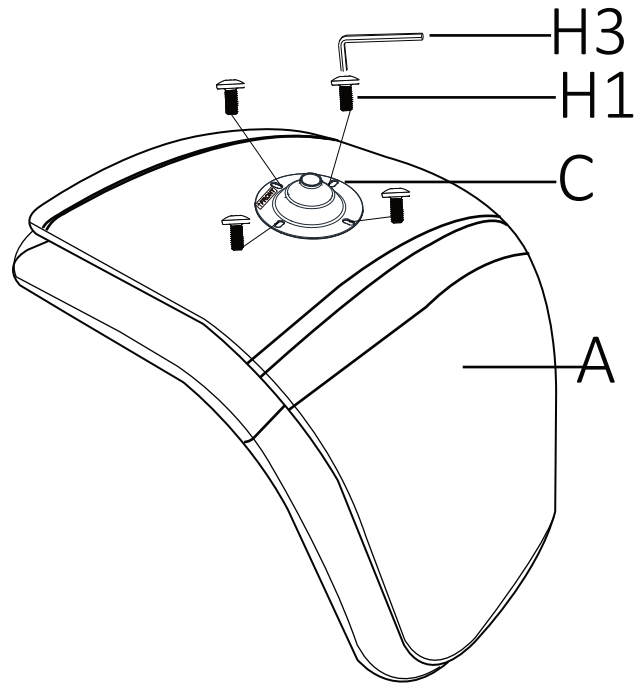


2

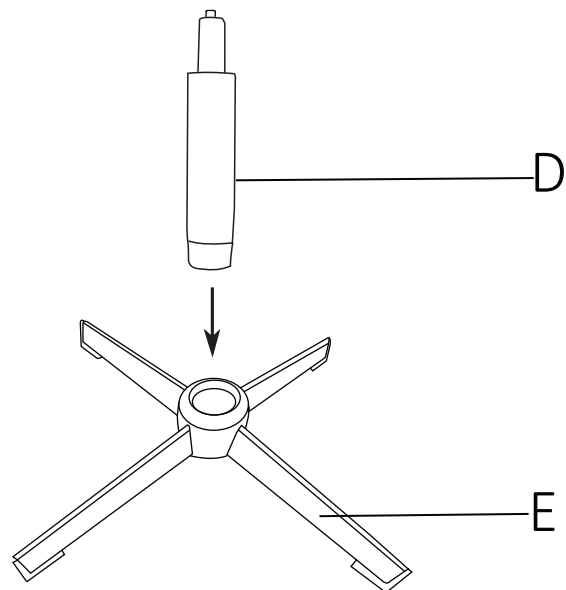


Assembly Steps

3

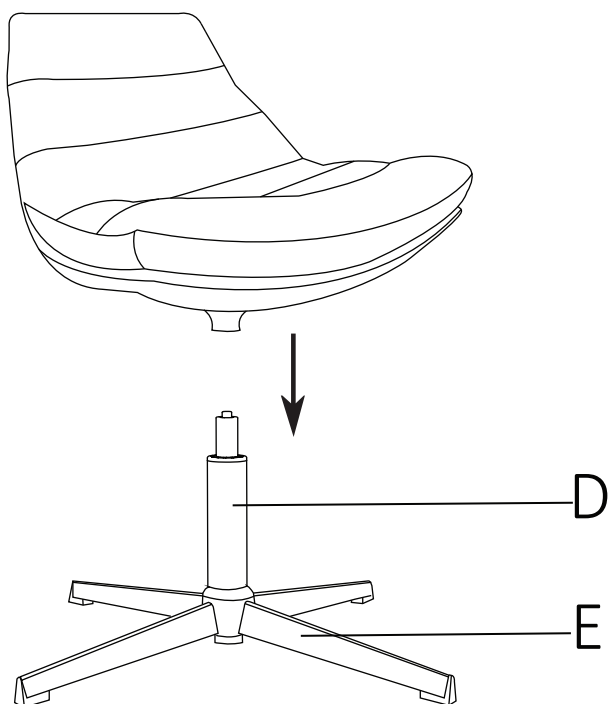


4

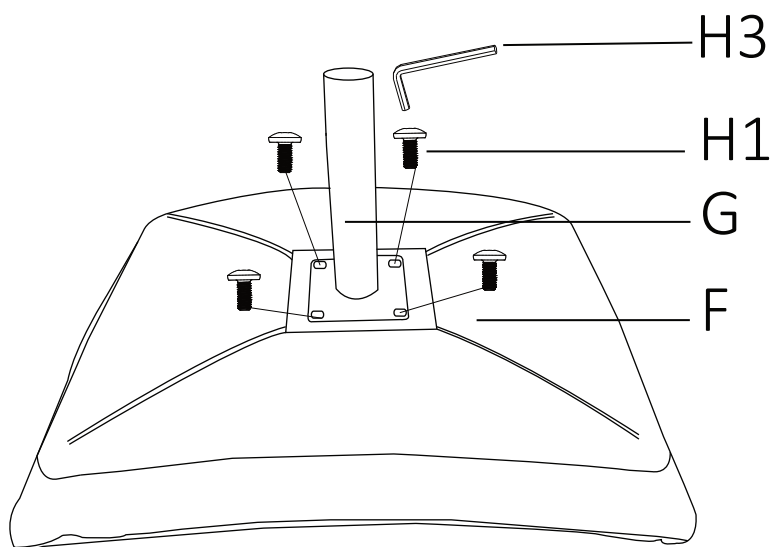


Assembly Steps

5

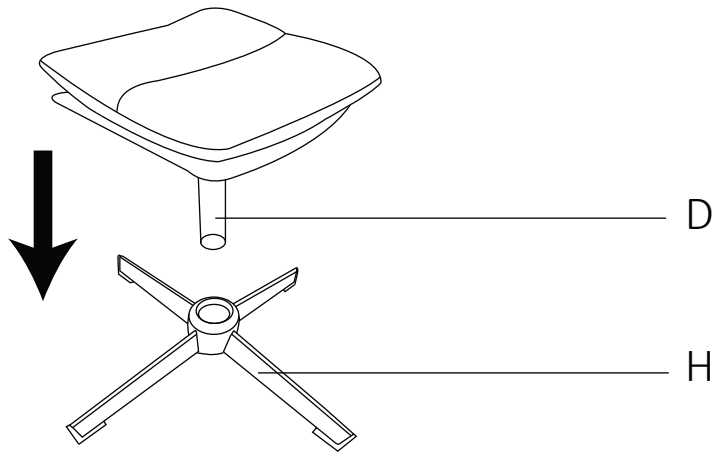


6



Assembly Steps

7



8

