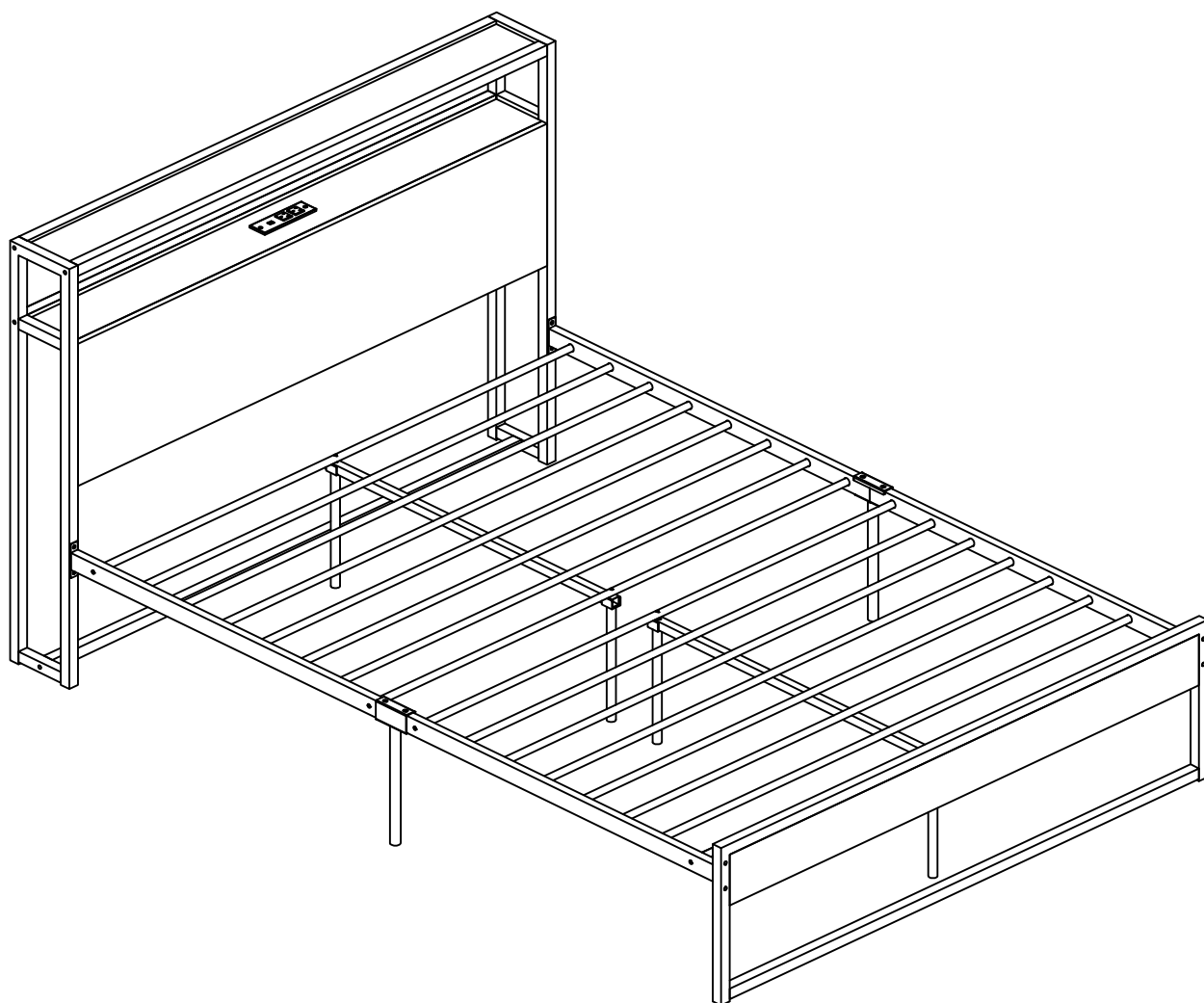
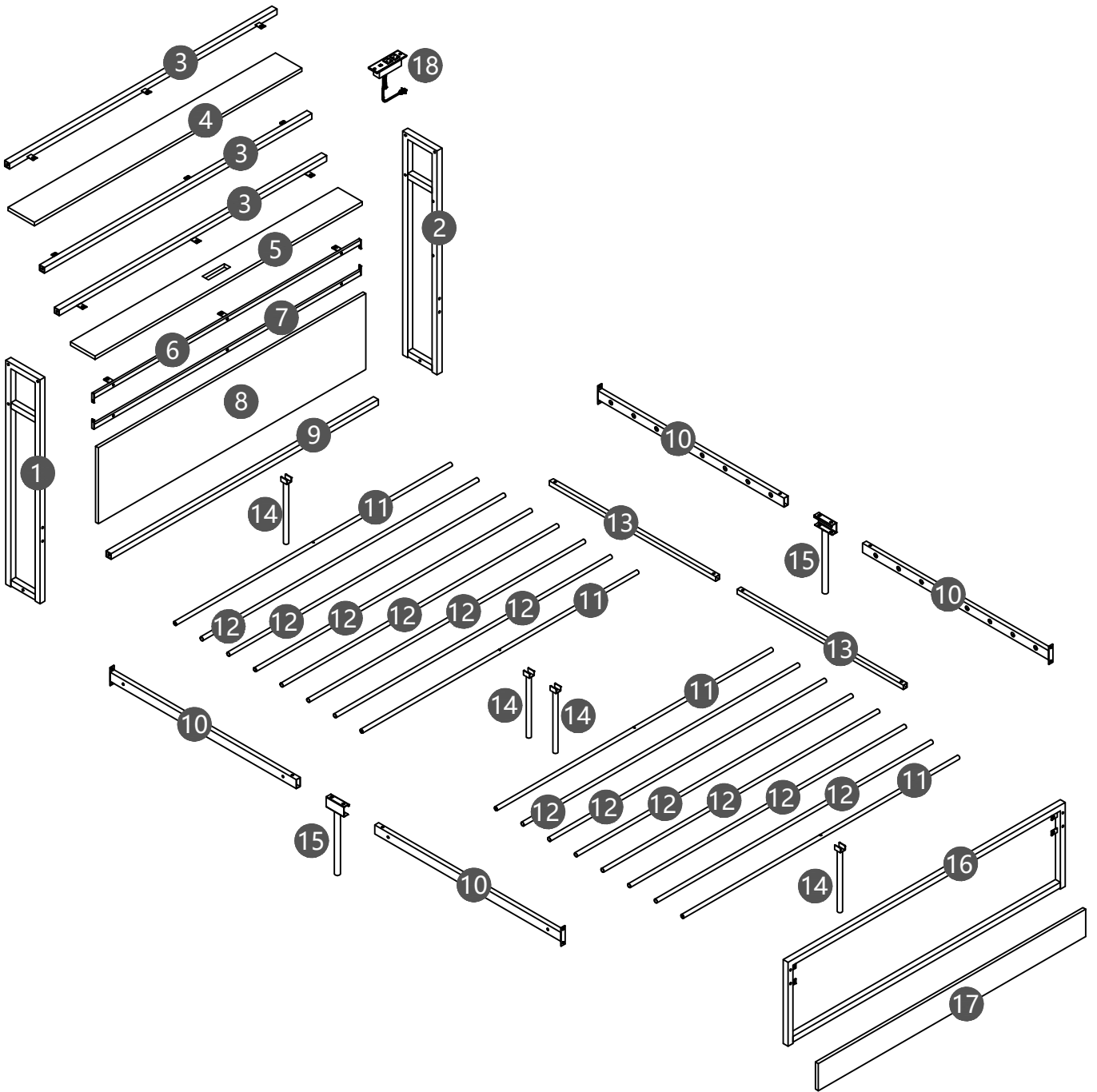




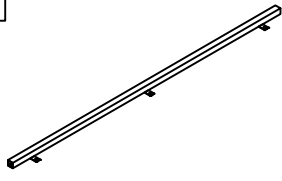
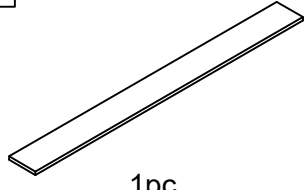
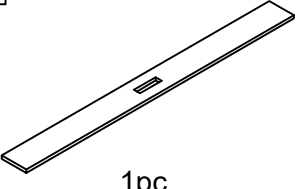
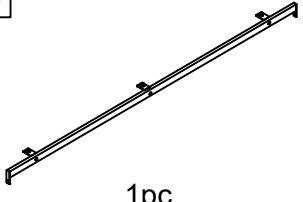
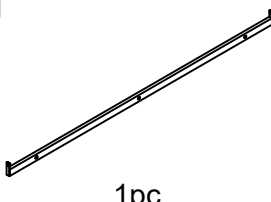
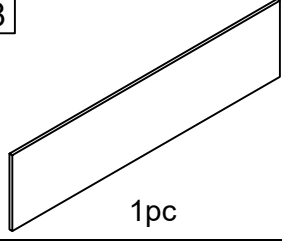
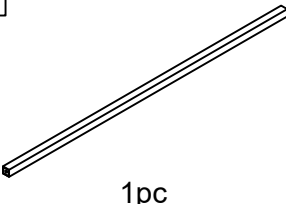
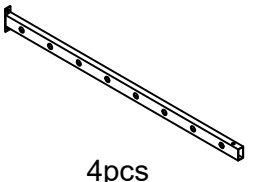
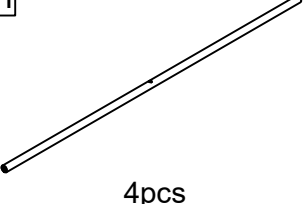
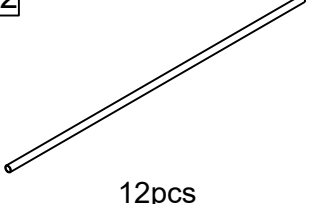
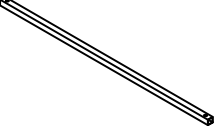

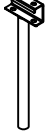
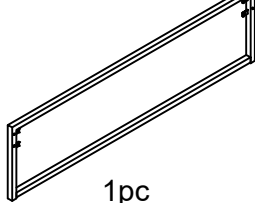
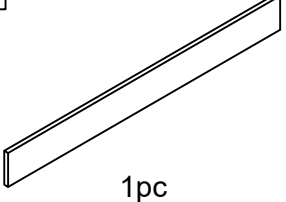
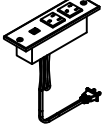
# ASSEMBLY INSTRUCTIONS





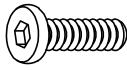
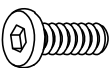
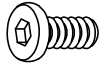
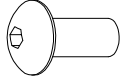
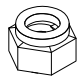

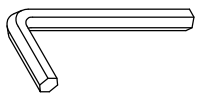
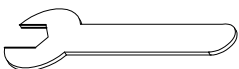
WF290265




# Parts List

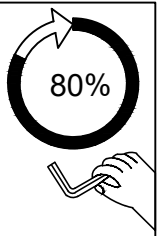
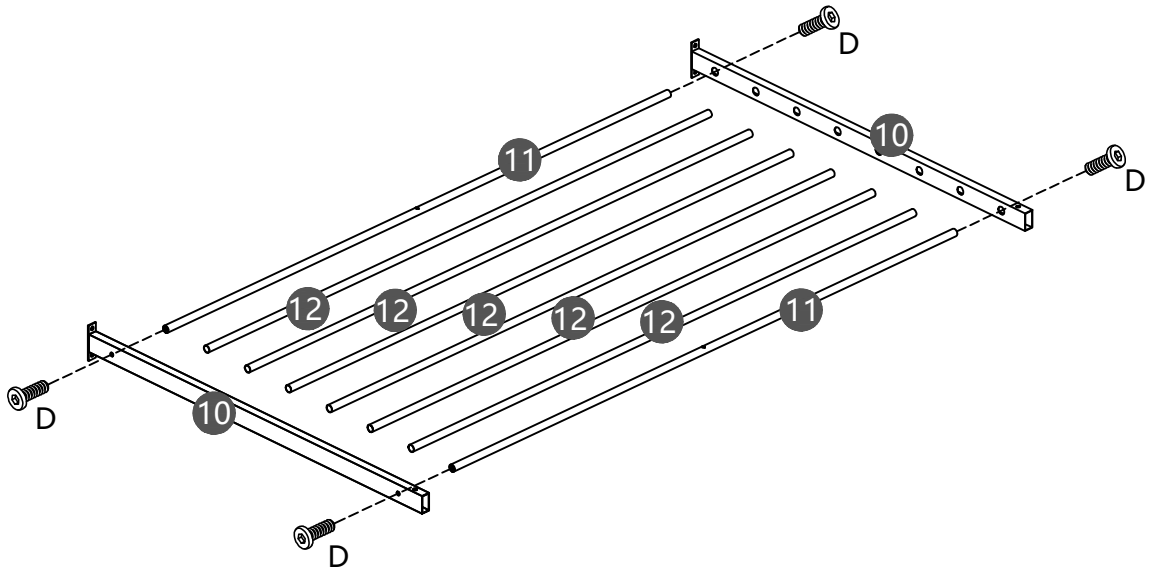
<p>1</p>  <p>1pc</p>	<p>2</p>  <p>1pc</p>	<p>3</p>  <p>3pcs</p>	<p>4</p>  <p>1pc</p>
<p>5</p>  <p>1pc</p>	<p>6</p>  <p>1pc</p>	<p>7</p>  <p>1pc</p>	<p>8</p>  <p>1pc</p>
<p>9</p>  <p>1pc</p>	<p>10</p>  <p>4pcs</p>	<p>11</p>  <p>4pcs</p>	<p>12</p>  <p>12pcs</p>
<p>13</p>  <p>2pcs</p>	<p>14</p>  <p>4pcs</p>	<p>15</p>  <p>2pcs</p>	<p>16</p>  <p>1pc</p>
<p>17</p>  <p>1pc</p>	<p>18</p>  <p>1pc</p>		

# Hardware List

<b>A</b>  M6*55mm 8pcs	<b>B</b>  M6*45mm 8pcs	<b>C</b>  M6*20mm 6pcs
<b>D</b>  M6*16mm 16pcs	<b>E</b>  M6*12mm 20pcs	<b>F</b>  M6 8pcs
<b>G</b>  M6 4pcs	<b>H</b>  M4*14mm 2pcs	<b>I</b>  2pcs
<b>J</b>  1pc		


**STEP 1:**

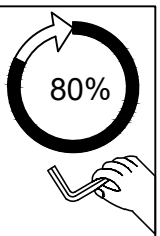
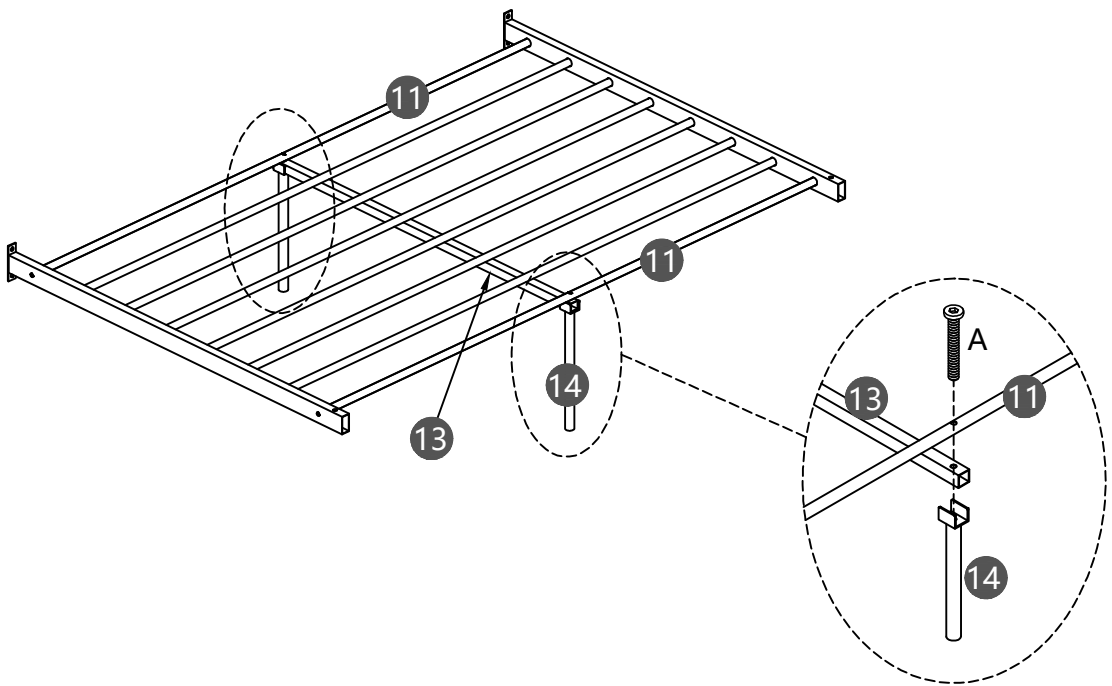
D

8PCS



**X 2**




**STEP 2:**

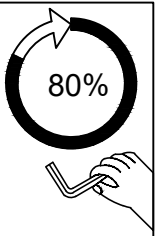
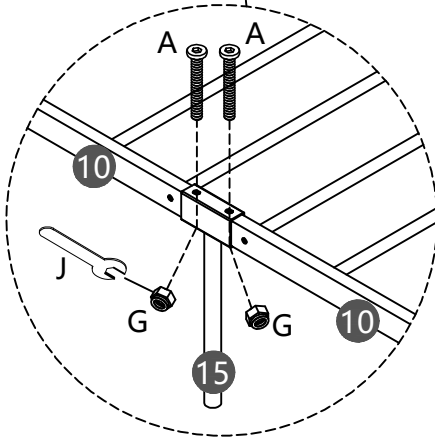
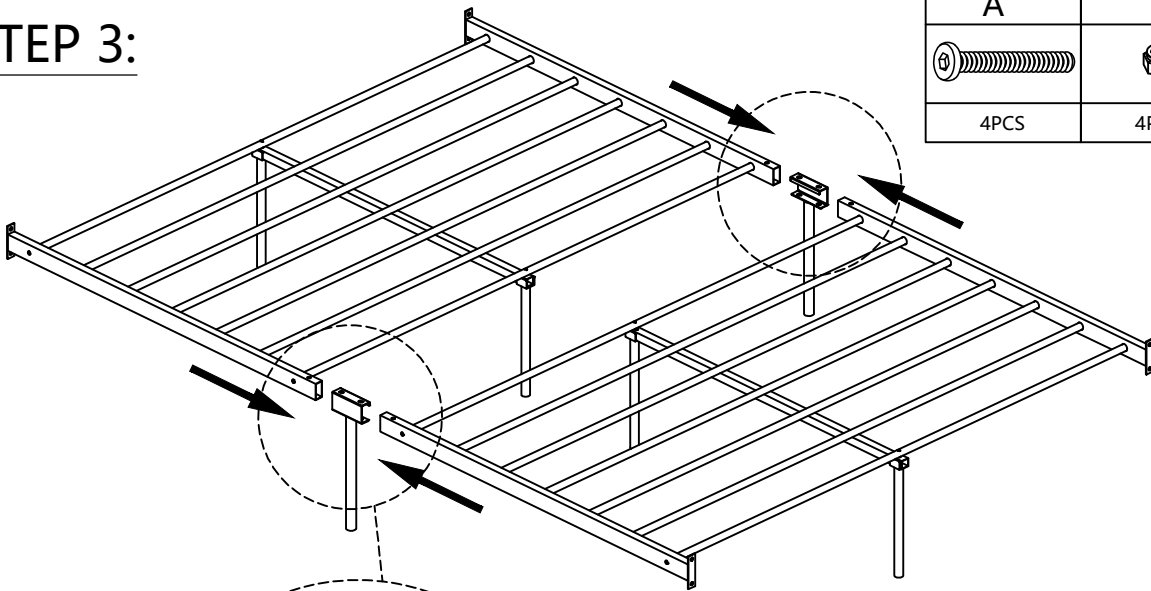
A

4PCS





**X 2**

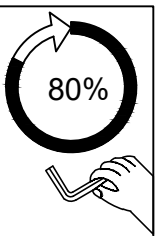
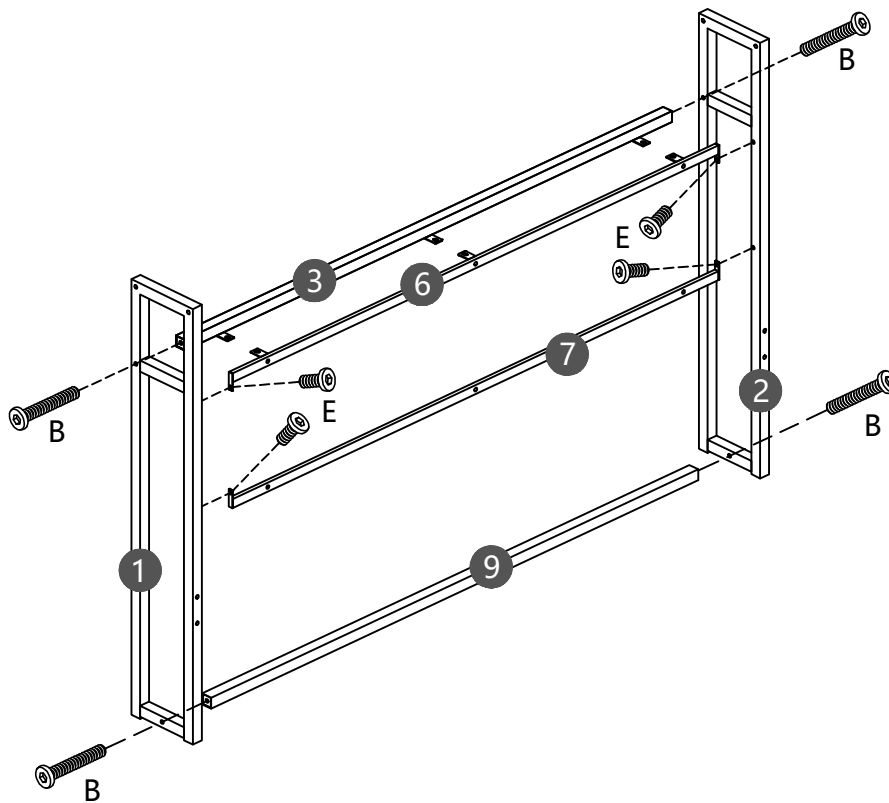
### STEP 3:

A	G	J
		
4PCS	4PCS	1PC





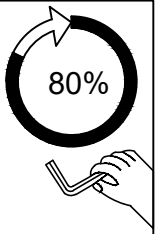
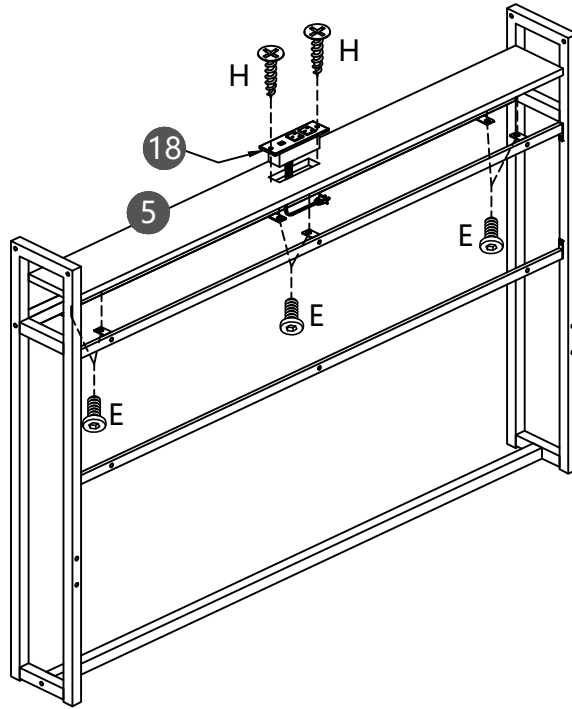
### STEP 4:

B	E
	
4PCS	4PCS




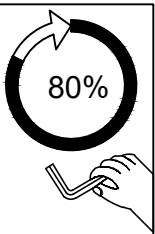
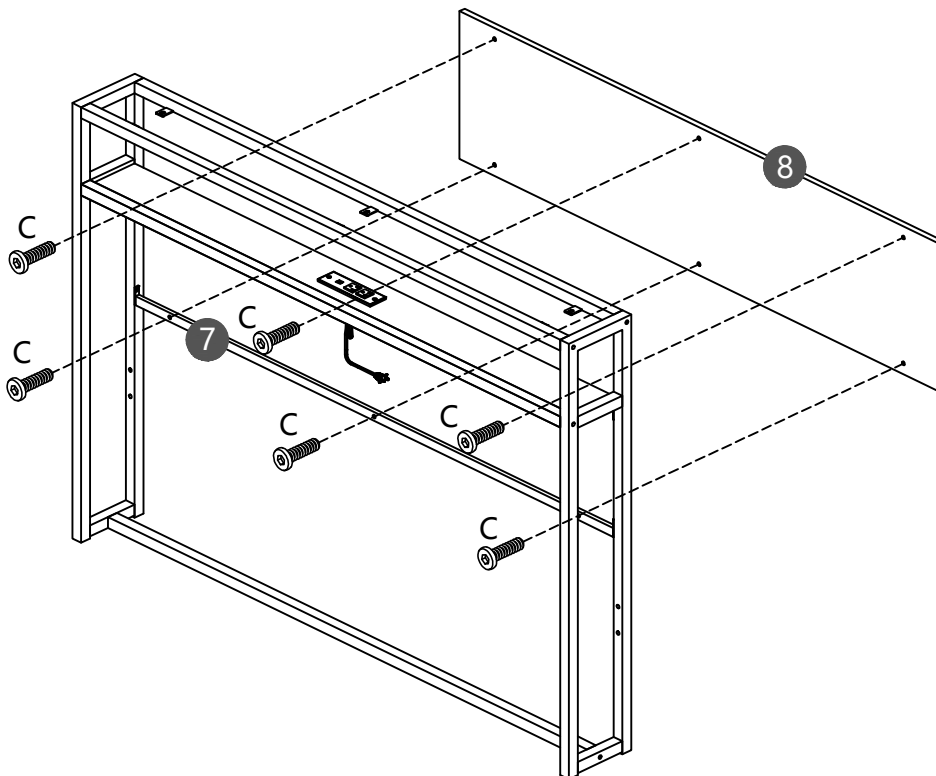
# STEP 5:

E	H
	
6PCS	2PCS

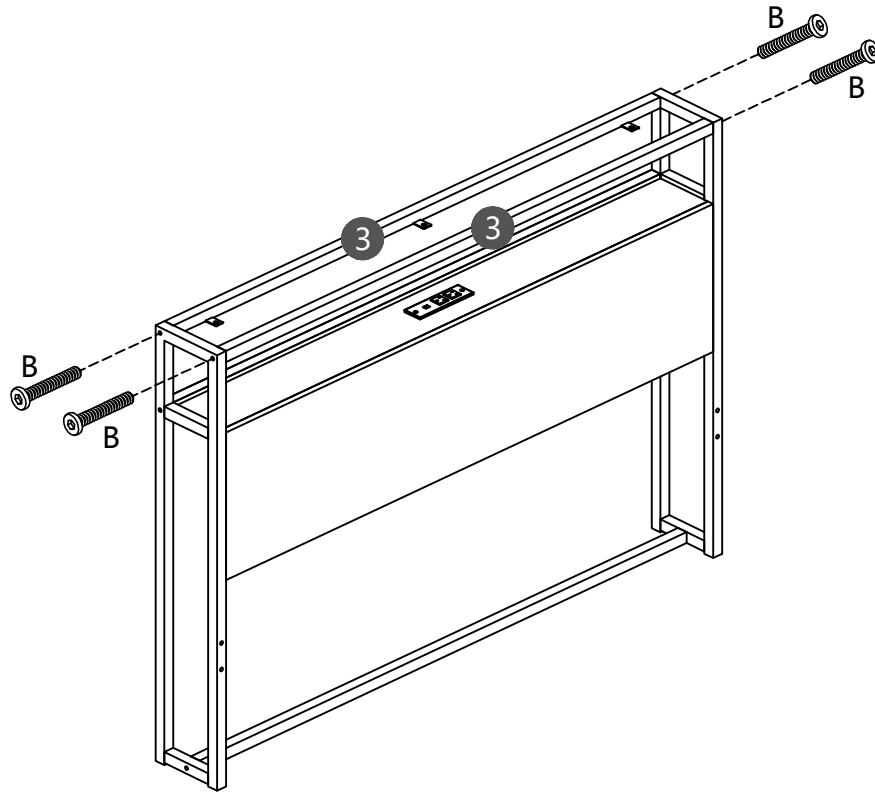



# STEP 6:

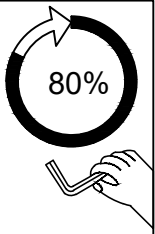
C

6PCS



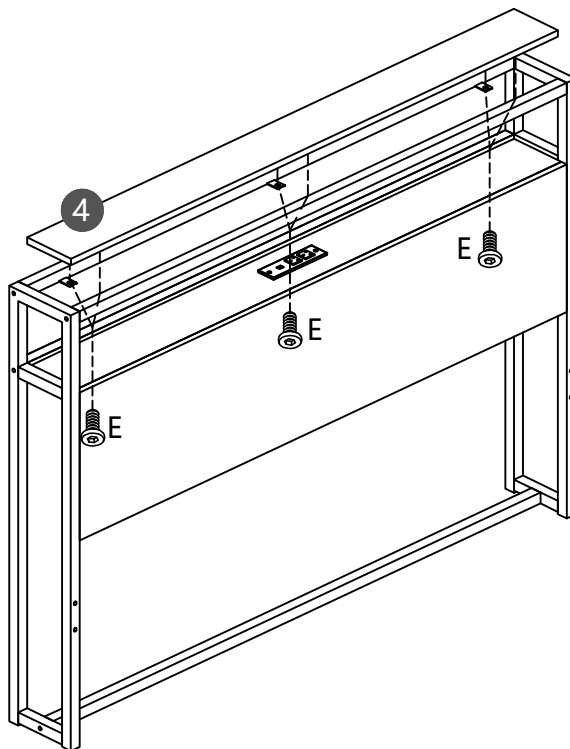
# STEP 7:




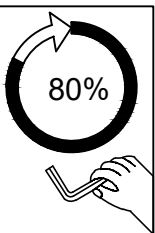
<b>B</b>

4PCS




# STEP 8:

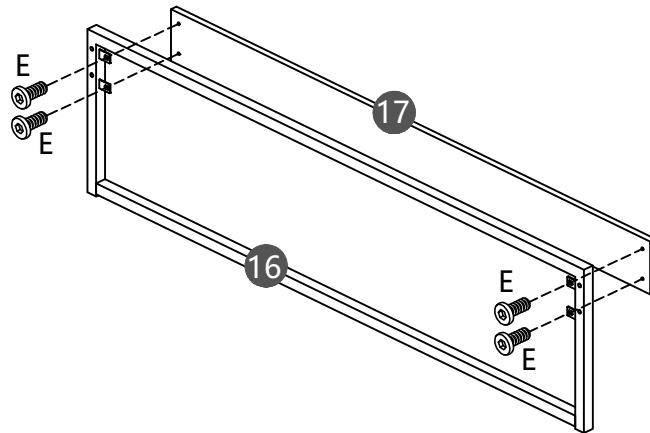


<b>E</b>

6PCS





# STEP 9:

E

4PCS



# STEP 10:

D	F
	
8PCS	8PCS

