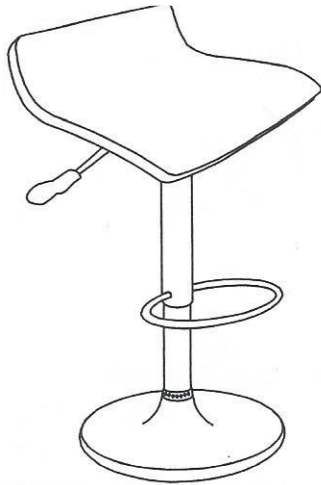


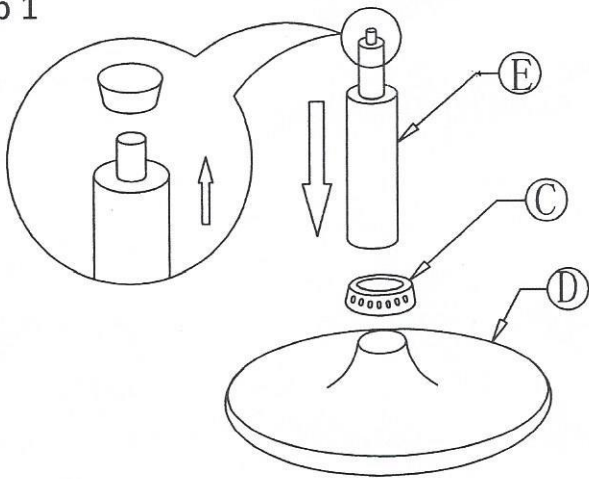
Installation & Assembly

Adjustable Stool

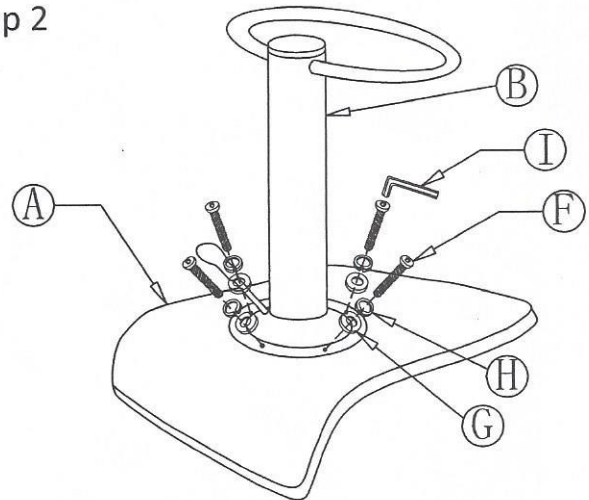


A: Seat	
B: Seat Post	
C: Cover	
D: Base	
E: Gas Lift	
F: (4+1EXT) Bolts	
G: (4+1EXT) Flat Washers	
H: (4+1EXT) Lock Washers	
I: Allen Wrench	

Step 1



Step 2



Step 3

