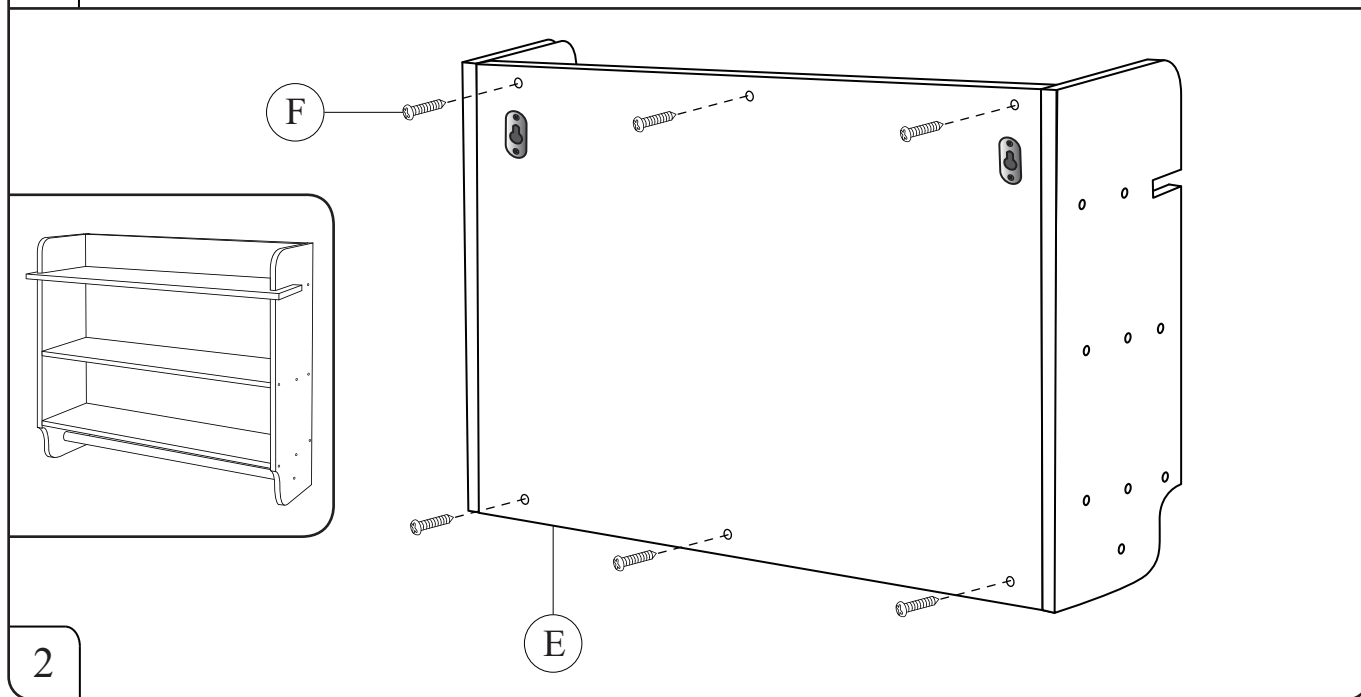
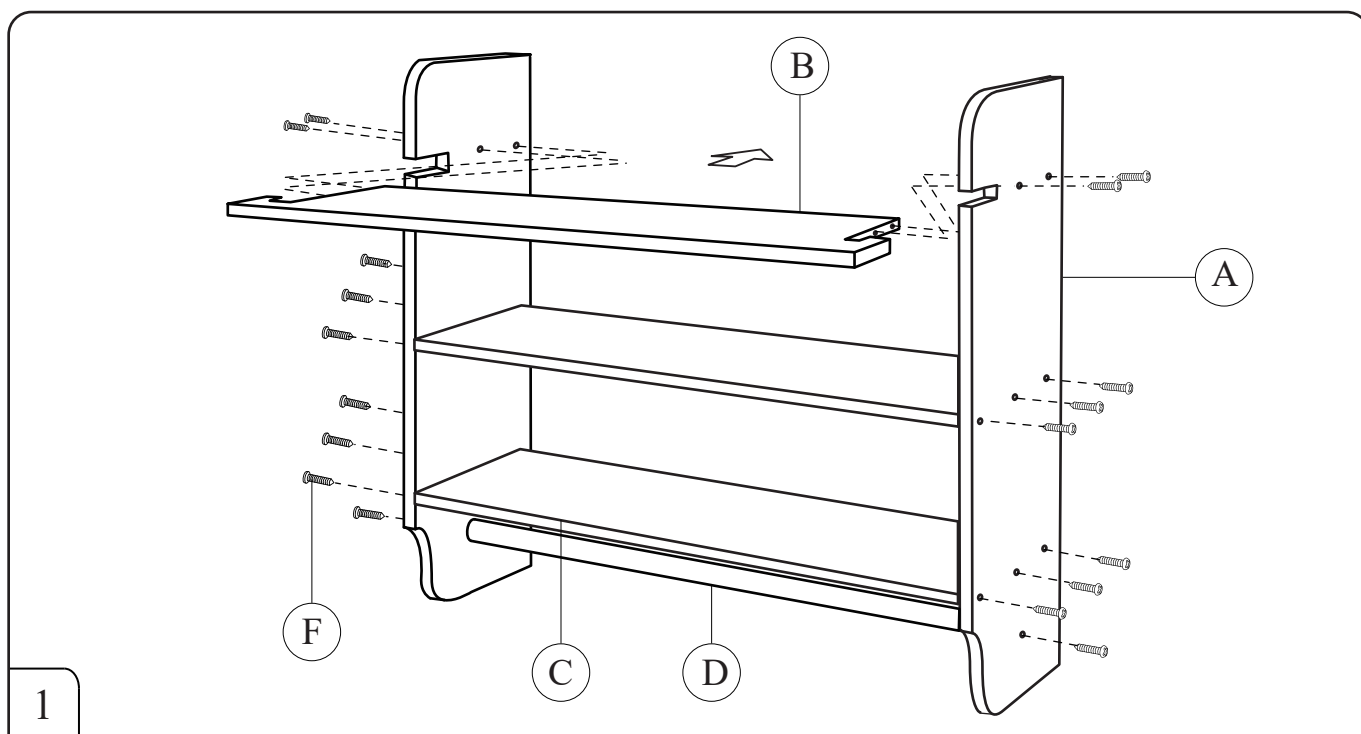
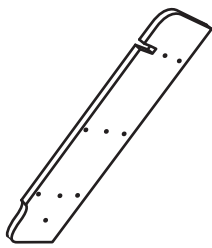
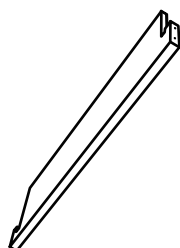
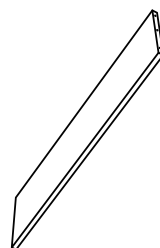
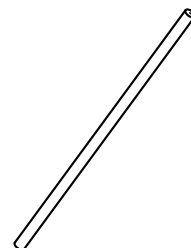
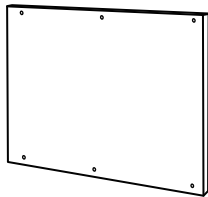



Country Rustic Wood Bathroom Organizer



No.	A	B	C	D	E	F
Part						 M3 x 23
Pcs	2	1	2	1	1	24