
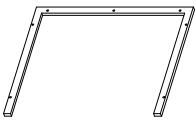
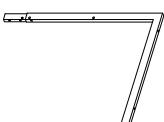
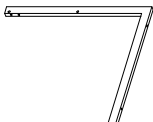


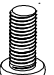



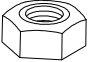


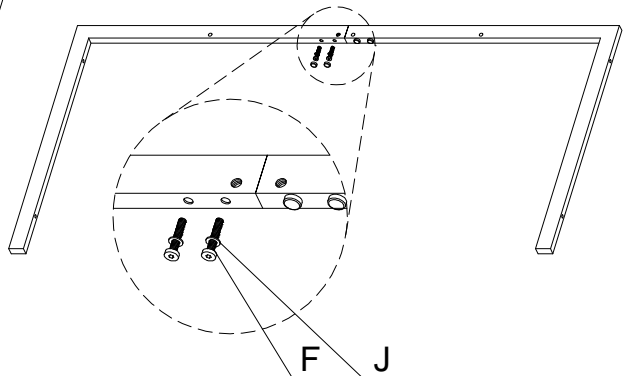
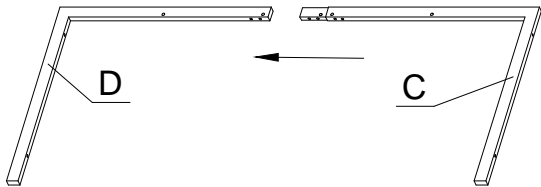


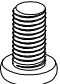

Installation & Assembly Rectangular Outdoor Table

HARDWARE INCLUDED

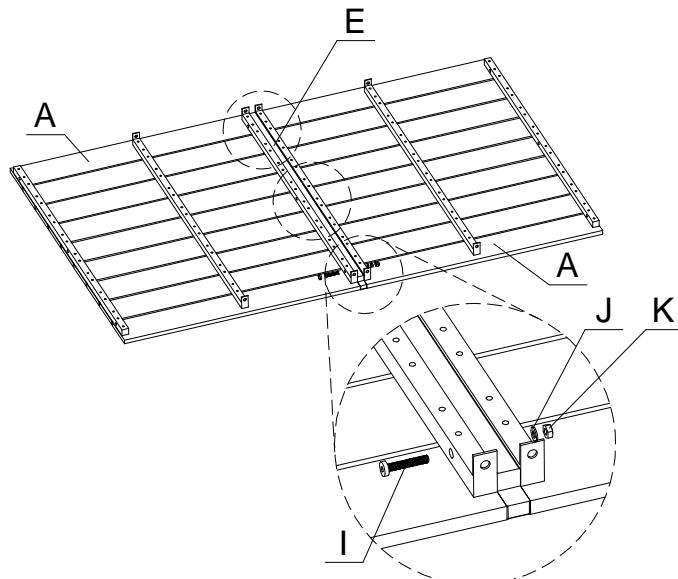
				
A 2 Pcs	B 2 Pcs	C 2 Pcs	D 2 Pcs	E 1 Pc
				
M6x15 F 12 Pcs	M6x30 G 6 Pcs	M6x50 H 8 Pcs	M6x70 I 3 Pcs	J 29 Pcs
				
K 3 Pcs	1 Pc	1 Pc		

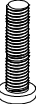

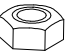
STEP 1



- M6x15  F 2 Pcs
- J 2 Pcs 

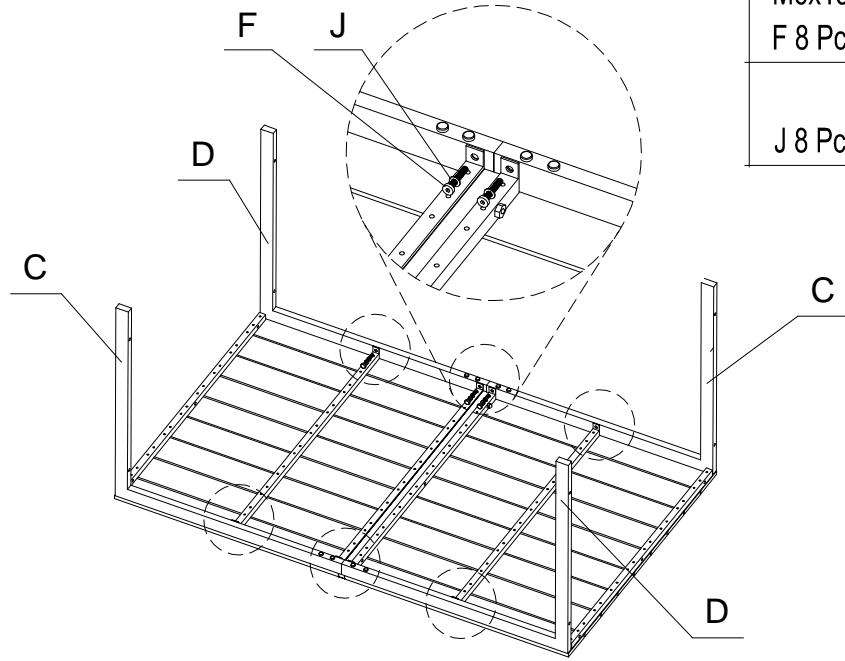
STEP 2



- M6x70  I 3 Pcs
- J 3 Pcs 
- K 3 Pcs 

Rectangular Outdoor Table

STEP 3



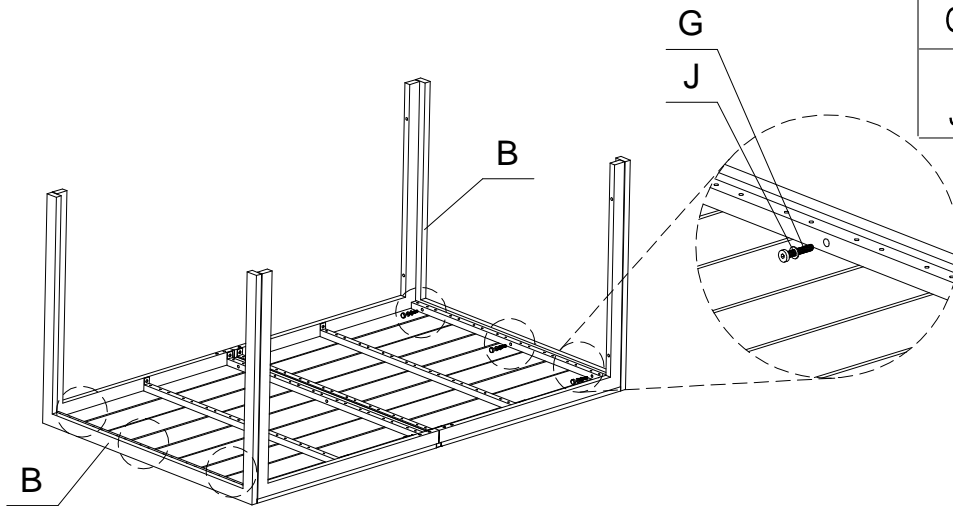
M6x15
F 8 Pcs



J 8 Pcs



STEP 4



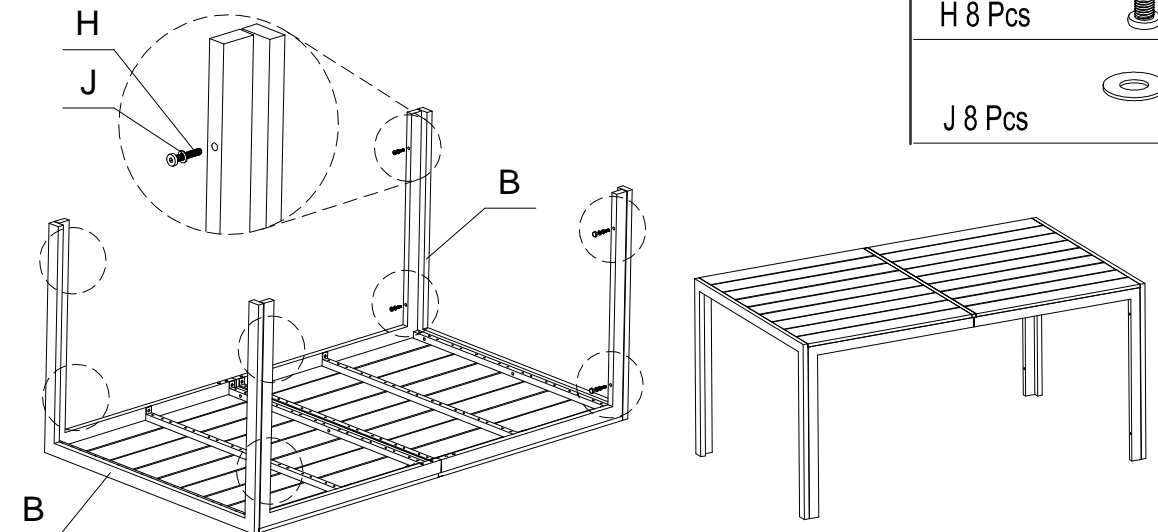
M6x30
G 6 Pcs



J 6 Pcs



STEP 5



M6x50
H 8 Pcs



J 8 Pcs

