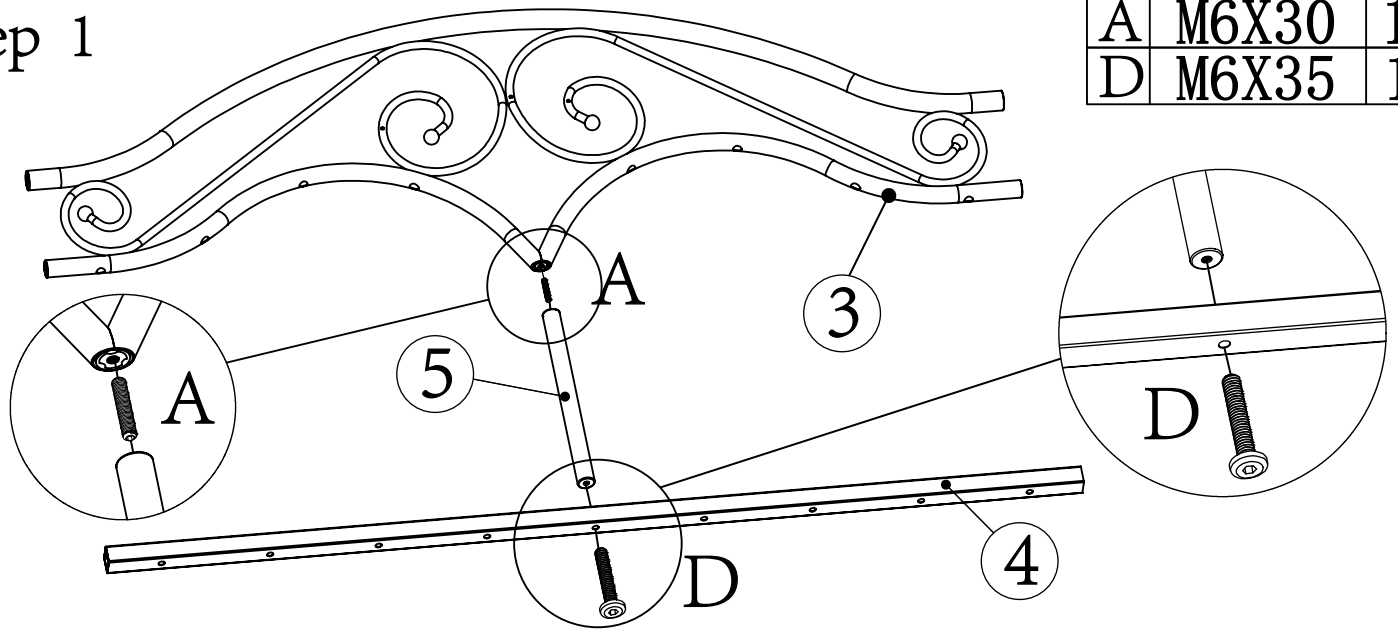


Step 1

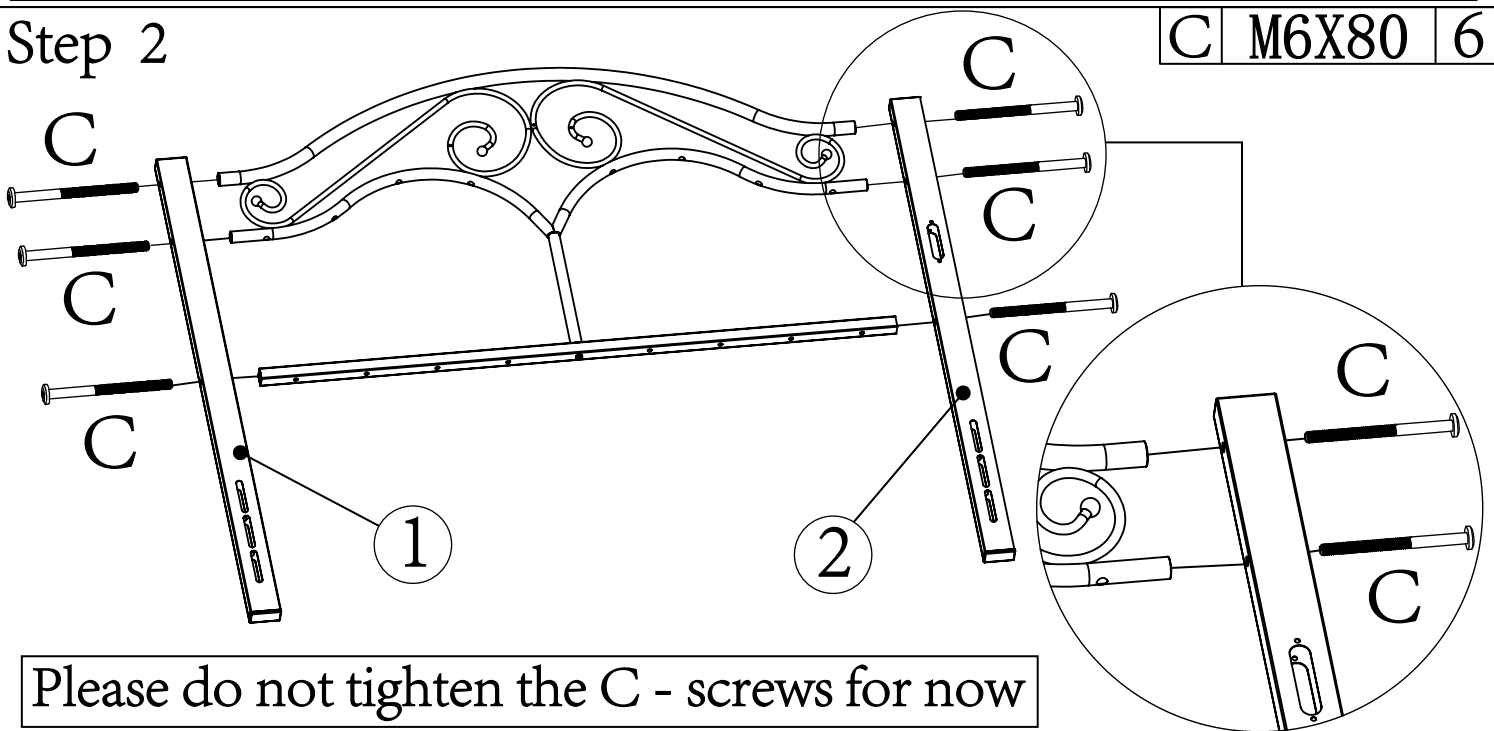
A	M6X30	1
D	M6X35	1



Please do not tighten the D - screws for now, but tighten the A - screws.

Step 2

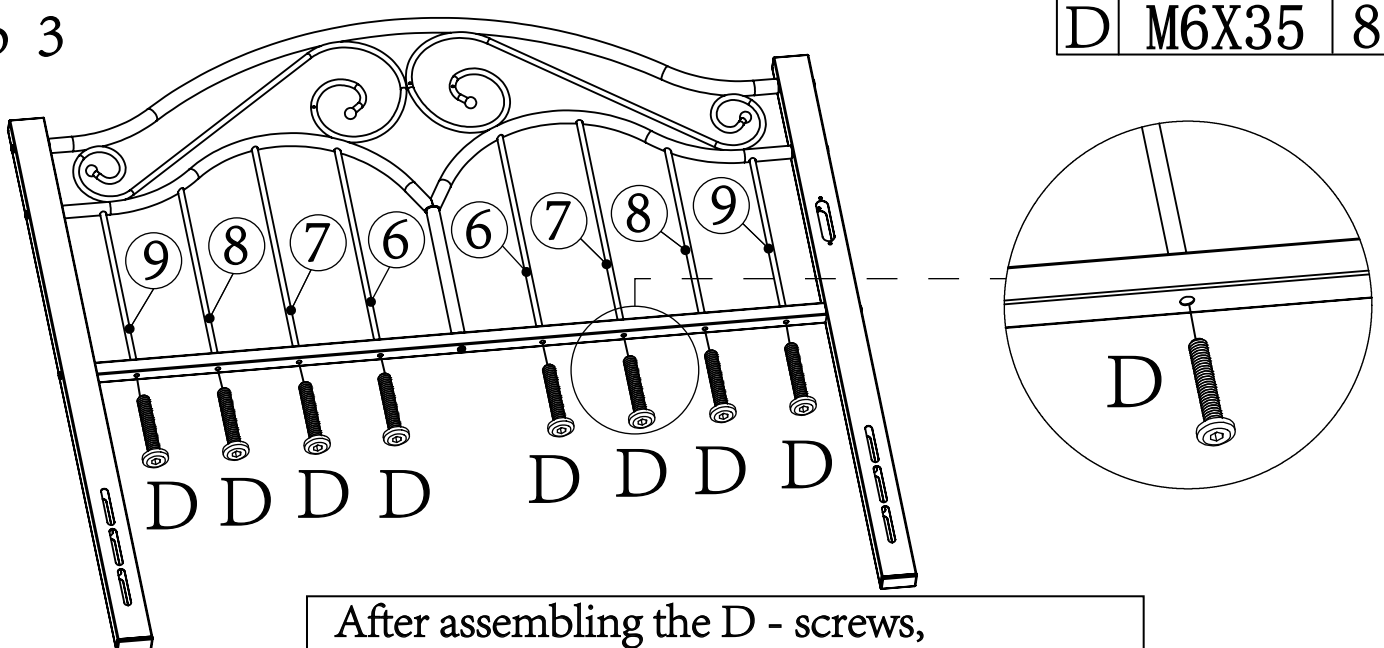
C	M6X80	6
---	-------	---



Please do not tighten the C - screws for now

Step 3

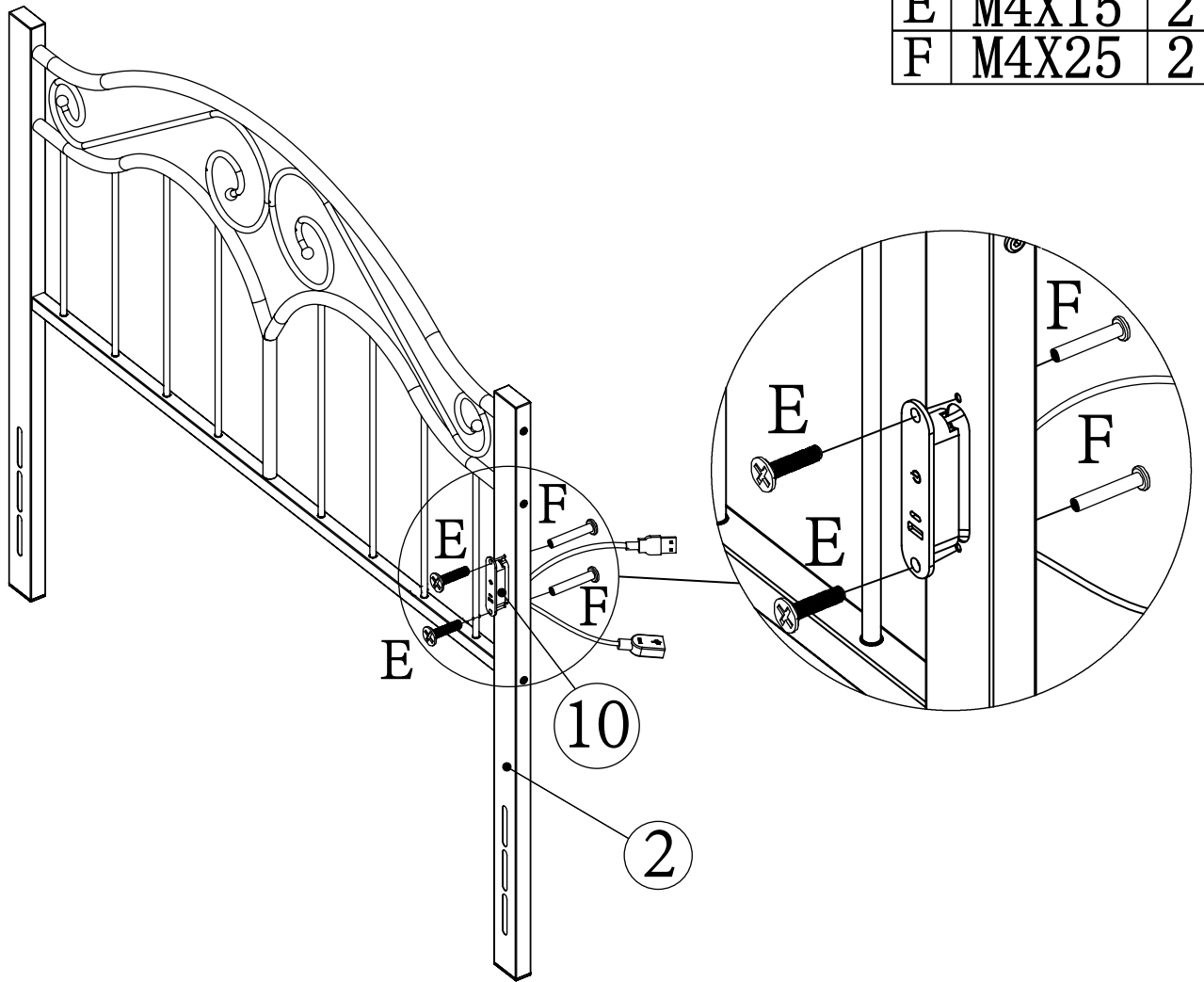
D	M6X35	8
---	-------	---




After assembling the D - screws,
please tighten the screws from the previous

Step 4

E	M4X15	2
F	M4X25	2



Step 5

B	M8X80	4
G	M8	4
H		8

