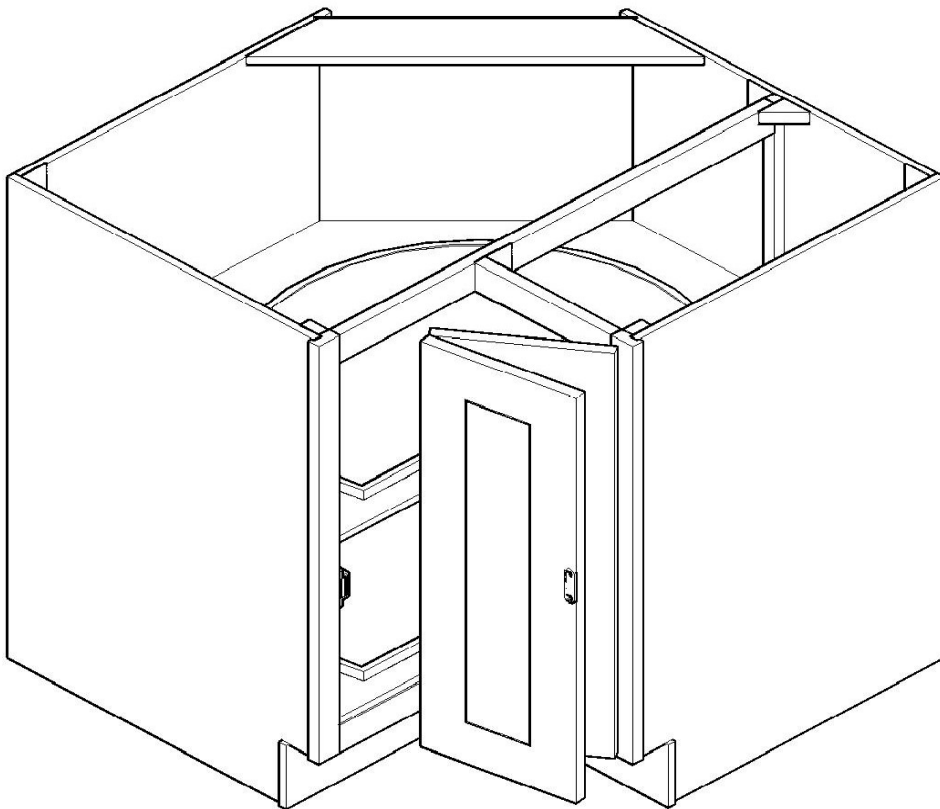


ASSEMBLY INSTRUCTIONS

Lazy Susan Cabinet



ASSEMBLY INSTRUCTIONS

Unpacking Precautions

If using a sharp object to unpack the cabinet components and the packing materials, be careful to avoid scratching or damaging the cabinet components. The various packing materials may be used to protect the cabinet components during assembly. During the unpacking process, place the various components away from and to the side of the work area so that they will not be inadvertently knocked over or otherwise damaged.

Required Tools

Phillips Screwdriver
Rubber Mallet Wood
Glue

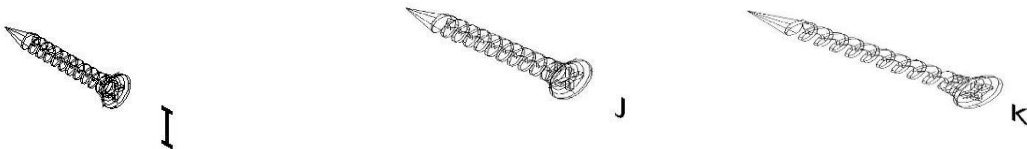


Hardware Considerations/Screw Size Clarification

(I) Small 1/2"

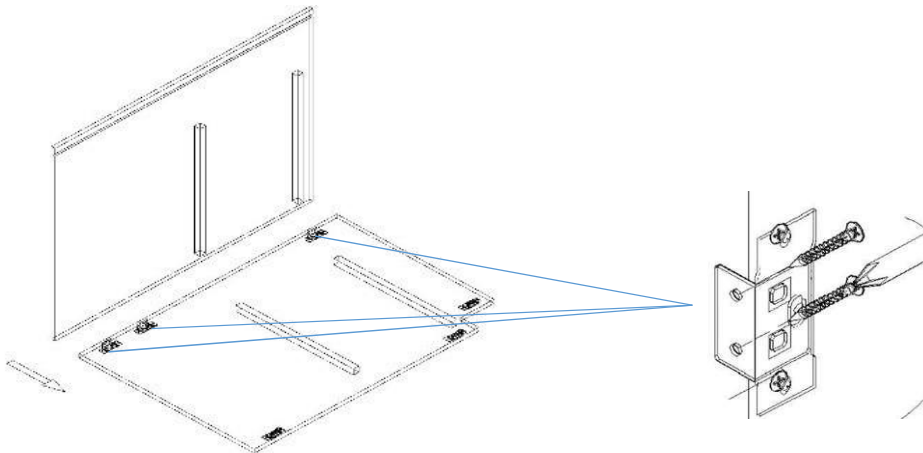
(J) Medium 7/8"

(K) Large 1 1/8"



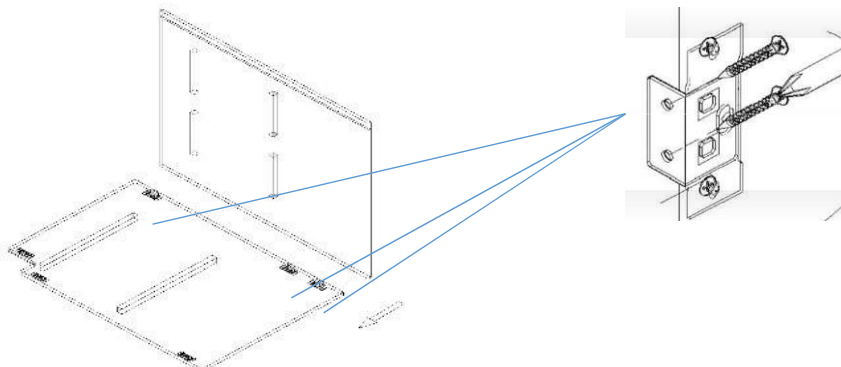
Step 1

Put the left side panels together with Three metal clips (Each metal clip will need 2 small screws(I)).



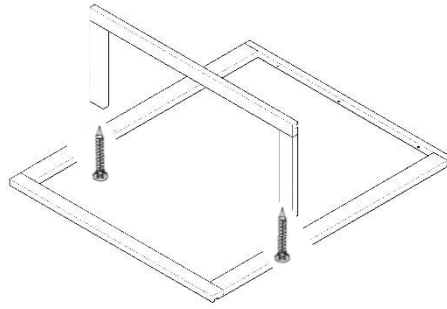
Step 2

Repeat step 1 for the right side.



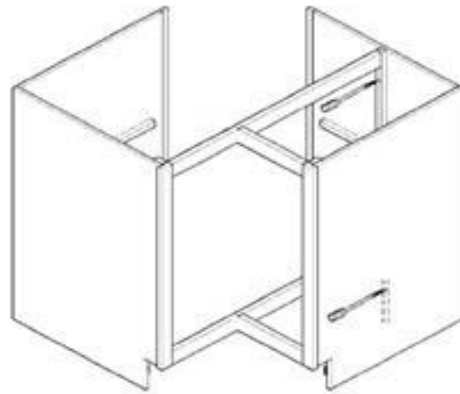
Step 3

Attach the two face frames together; Use the large screws(K) to connect the Large face frame to the smaller face frame, two screws per side.



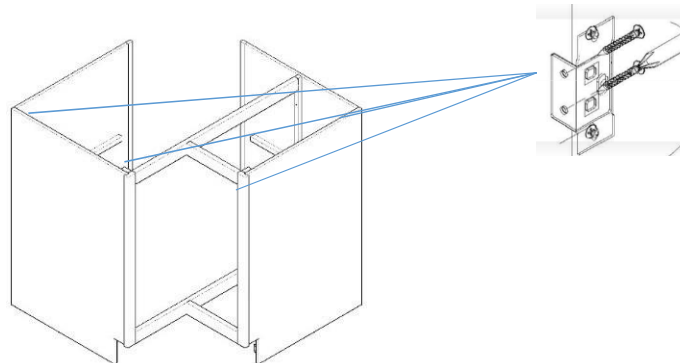
Step 4

Attach the Large face frame to the right-side panel with Two Large screws(K).



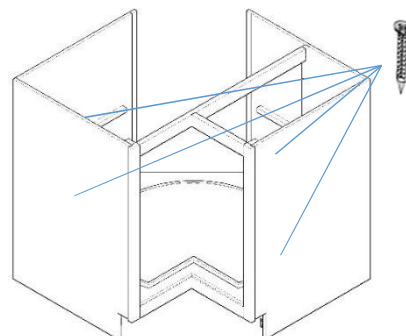
Step 5

Slide Both the right & left side panels into the grooves on the face frames and secure with metal clips.



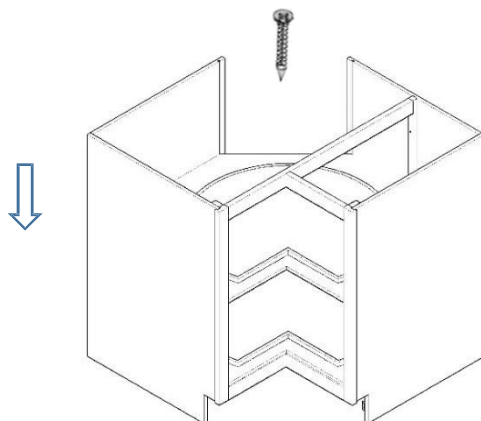
Step 6

Attach the bottom lazy Susan to the wood blocks provided on the sides using the large screws(K) in the pre-drilled holes, two screws per side panel (total eight screws)



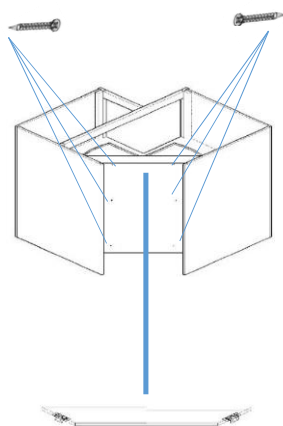
Step 7

Repeat the Step 6 for the middle Lazy Susan with eight screws.



Step 8

Insert the Back Panel between the two side panels; using the Large screws(K) and the predrilled holes, three screws per side.



Step 9

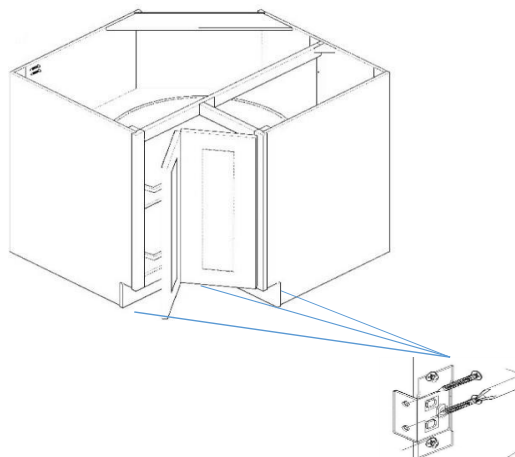
Attach the top large triangle brace using two metal clips attaching to the left & right sides.

Step 10

Install the door on the left side or the right side(Reversible).

Step 11

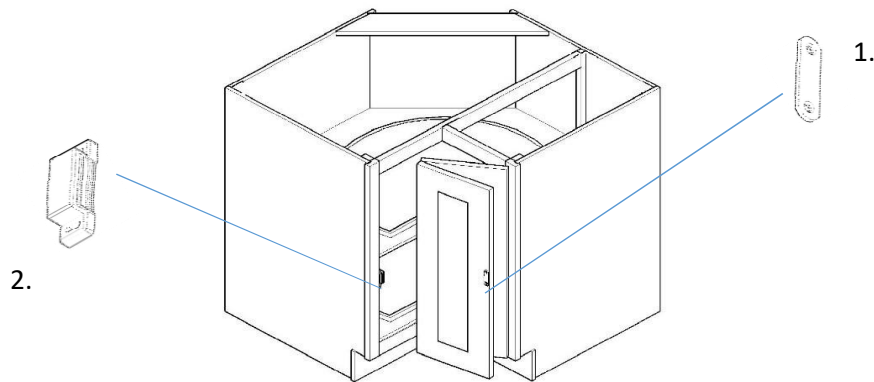
Install the toe kick with two metal clips to the side panels, and one metal clip connecting two toe kicks.



Step 12

1. Magnetic Latch: Install the small metal plate to the back of the door, using two small screws(I).

2. Install the plastic magnet latch to face frame, using the two small screws(I).



Step 13

Use Two medium size screws(J) to attach the wooden triangle to the panel and back panels.
(Total of 5 corners)

