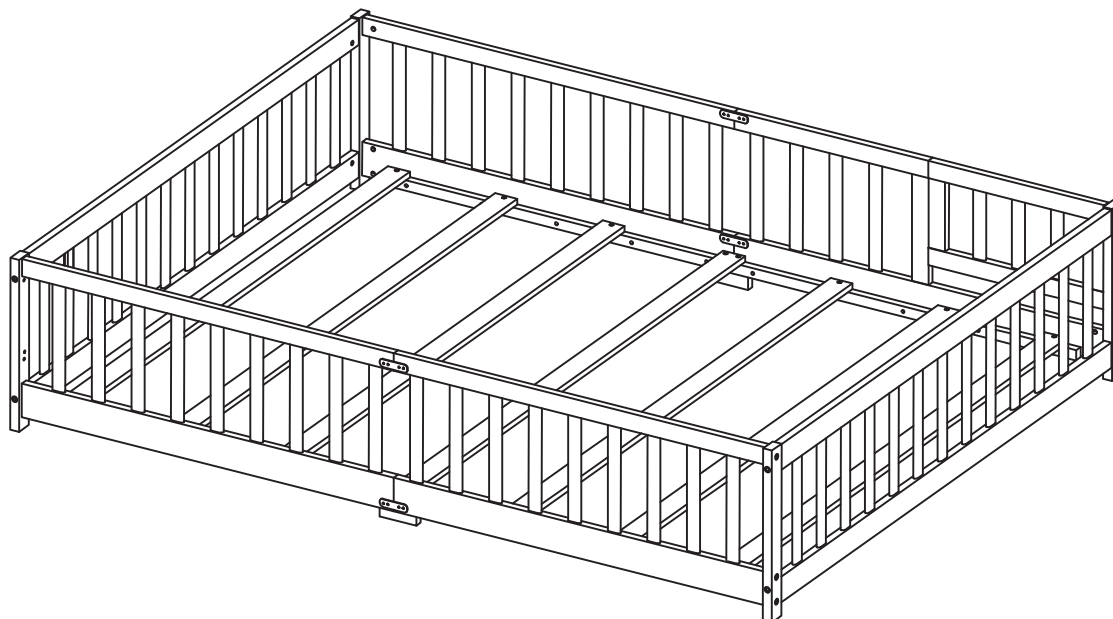
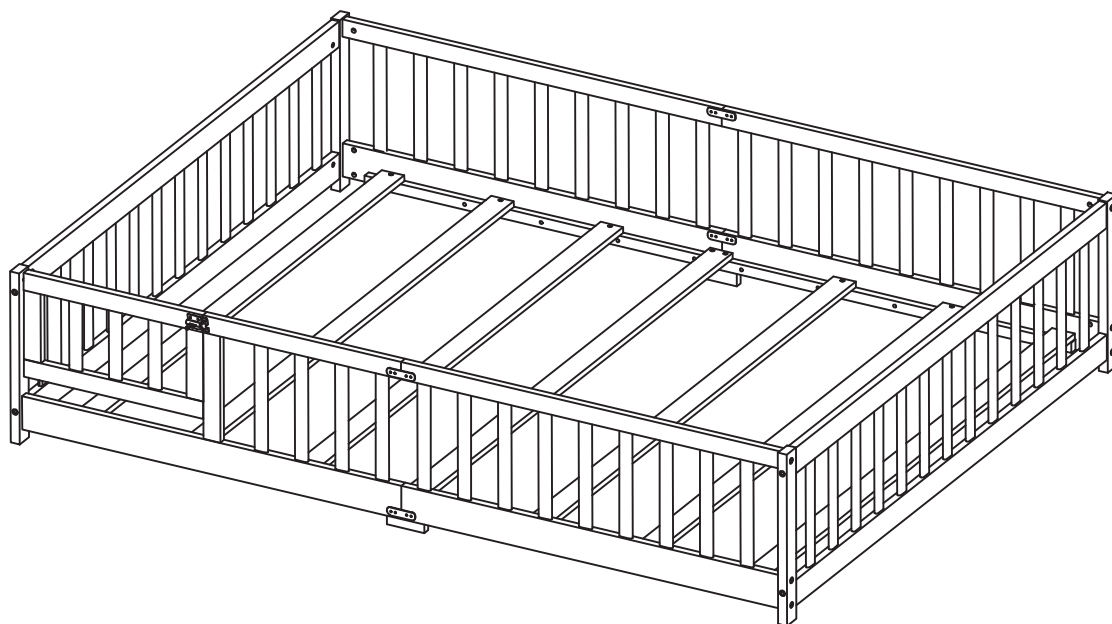
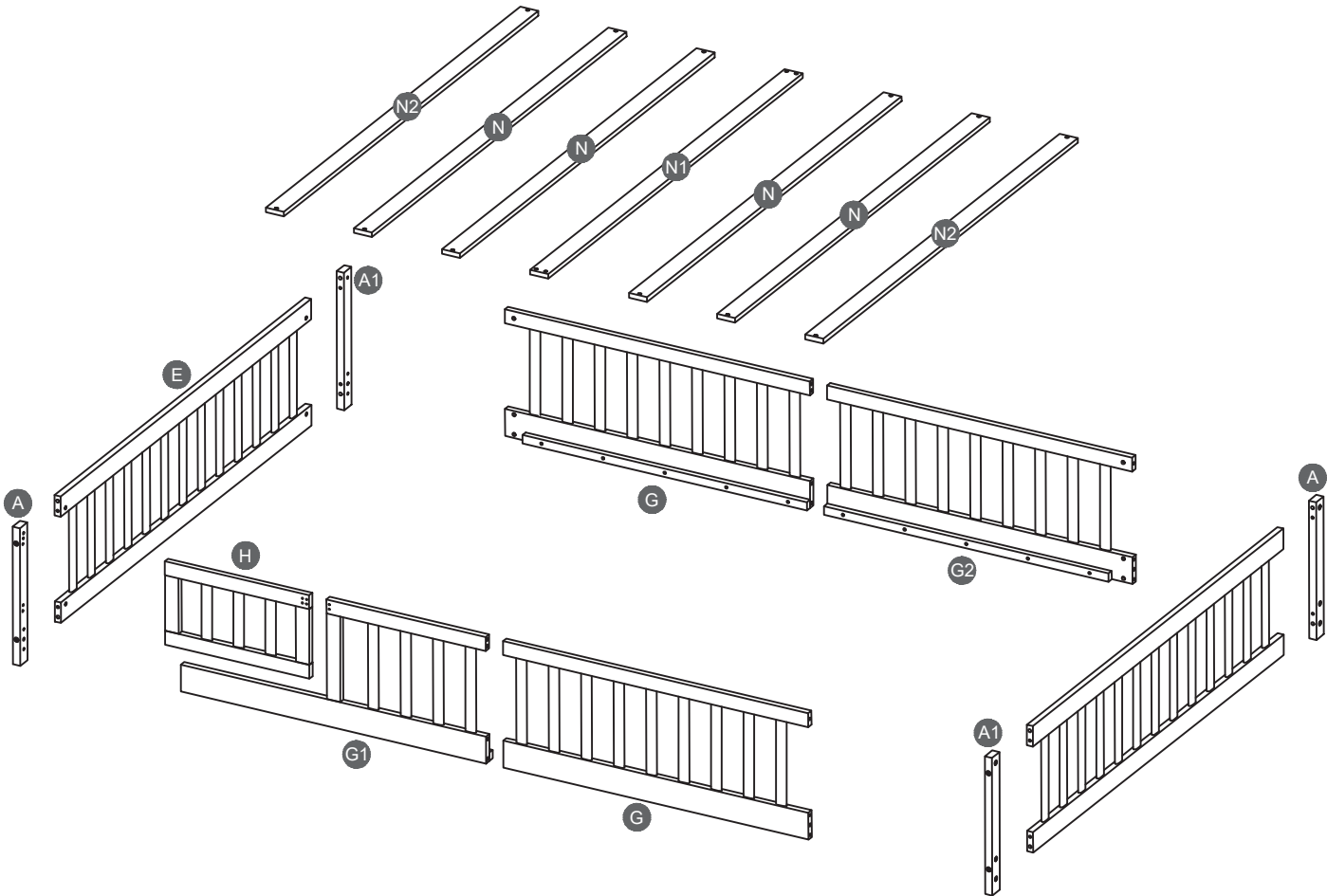


ASSEMBLY INSTRUCTIONS

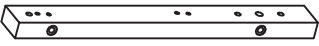
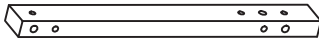
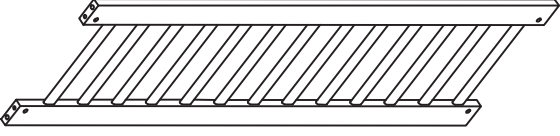
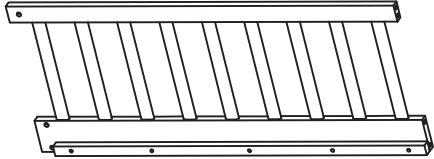
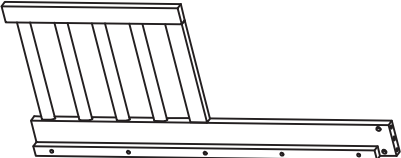
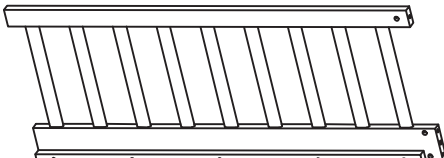
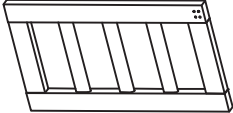



QUEEN FLOOR BED WITH FENCE







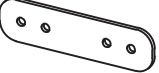

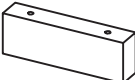





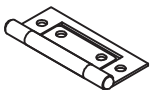
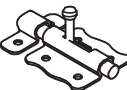


Detail View



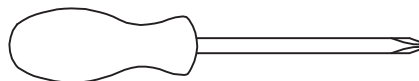
Part List

A  Leg - 2pcs	A1  Leg - 2pcs
E  Hb. Fb. Panel - 2pcs	G  Side Rail - 2pcs
G1  Side Rail - 1pc	G2  Side Rail - 1pc
H  Door - 1pc	N  Bed Slats - 4pcs
N1  Bed Slats (Mid.) - 1pc	N2  Bed Slats (End) - 2pcs

Hardware List




1  M6 x 80mm JCBC (8pcs)	2  M6 x 65mm JCBC (11pcs)	3  M6 x 15mm Barrel Nut (19pcs)
4  M10 x 30mm Wood Dowel (Short) (12pcs)	5  Metal Bracket (8pcs)	6  M3.5 x 16mm CSK Screw (46pcs)
7  Side Rail Bottom Support (2pcs)	8  M4 x 32mm CSK Screw (4pcs)	9  M4 x 25mm CSK Screw (12pcs)
10  M6 x 30mm JCBC-W (4pcs)	11  20 x 20 x 245mm Wood Block (1pc)	12  Sticker Cap (2pcs)
13  6 x 24 x 55mm (135°) Hinges (2pcs)	14  10 x 40 x 60mm Lock (1pc)	15  M10 x 40mm Wood Dowel (Long) (8pcs)
16  M4 Allen Key (1pc)		

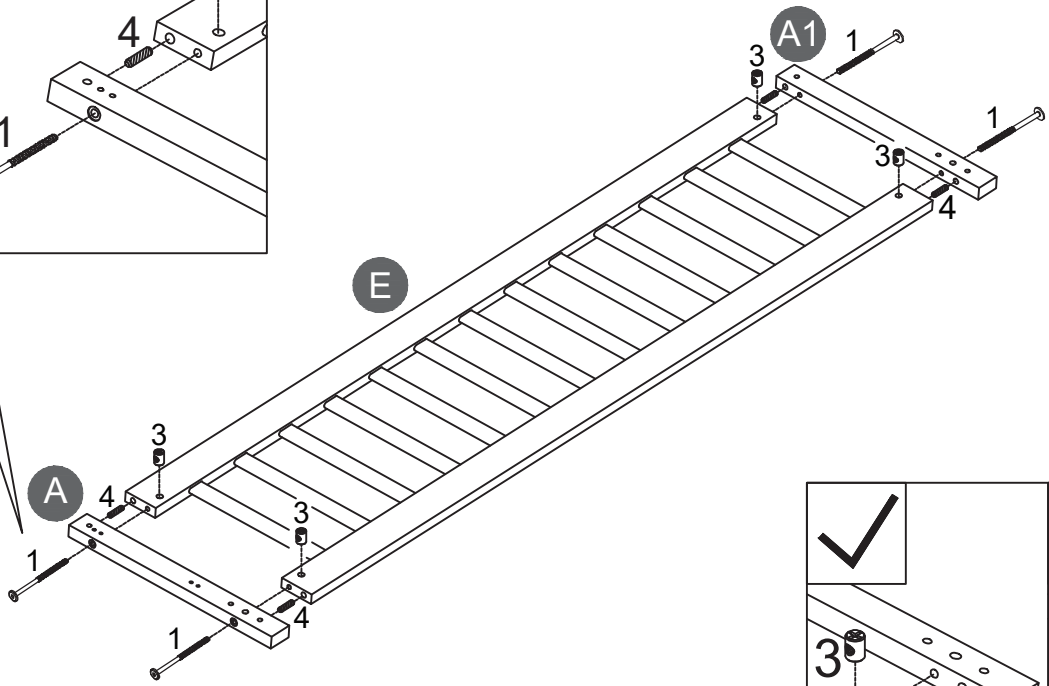
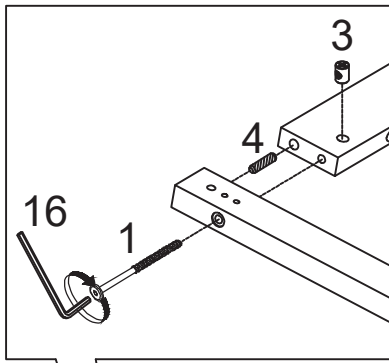
ASSEMBLY TOOLS REQUIRED (NOT INCLUDED)



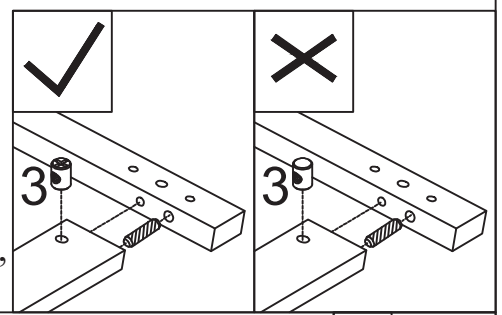
PLEASE BE CAREFUL DO NOT DAMAGE THE HOLE POSITION WHEN YOU USE POWER TOOLS !

STEP 1:

1		3		4	
8PCS		8PCS		8PCS	




x 2

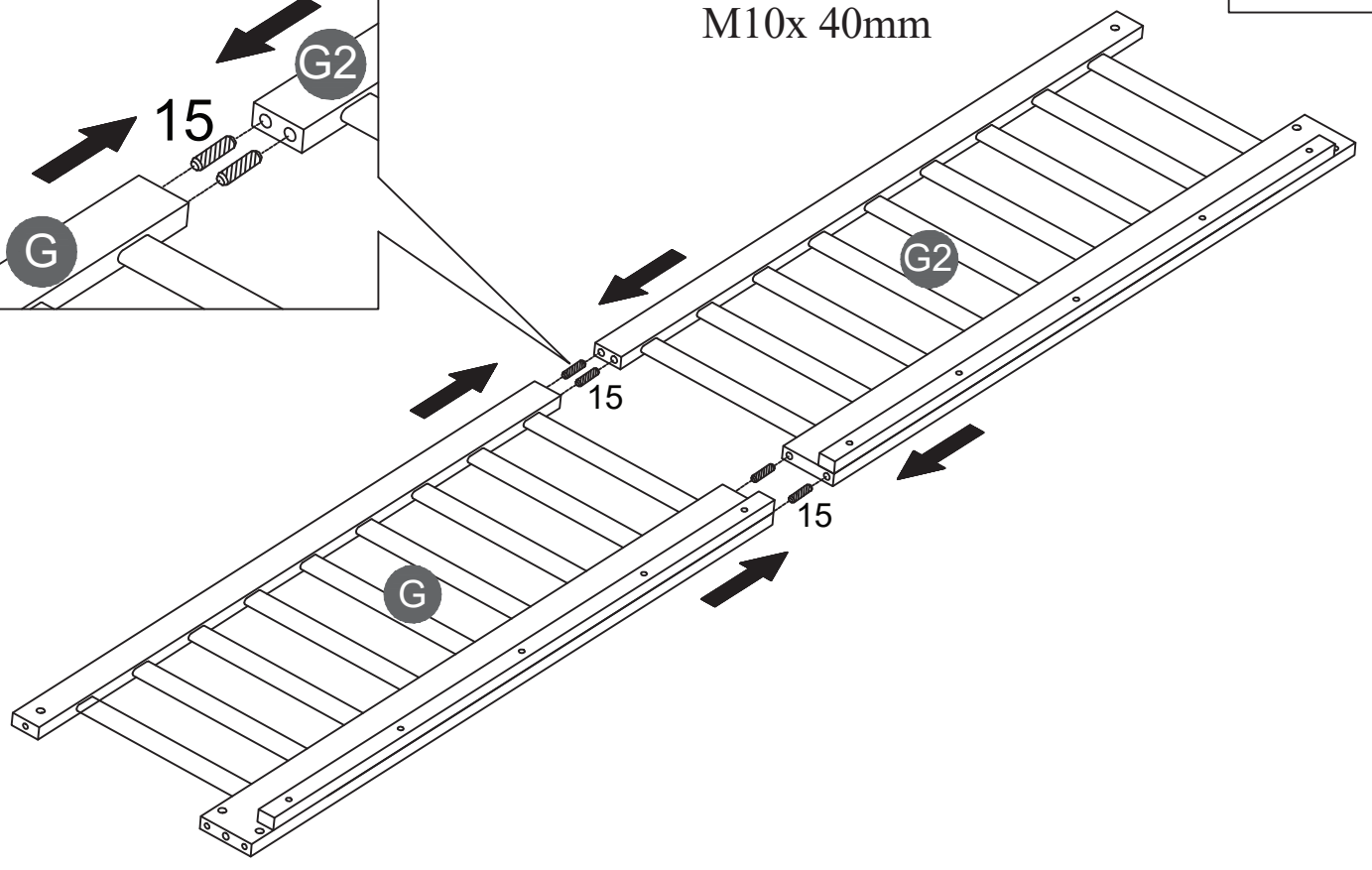
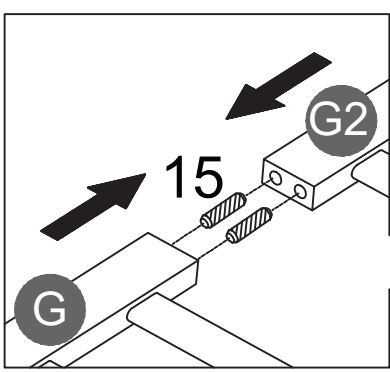


Note: Part 3 will face up with the "x" mark on it, otherwise it cannot be tightened

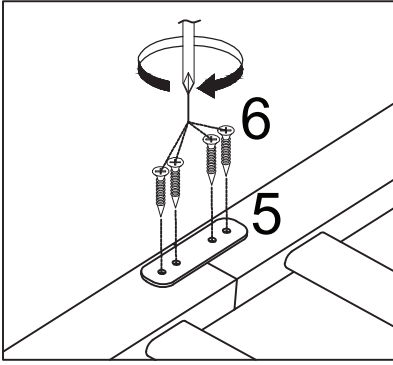
STEP 2:



15	
4PCS	

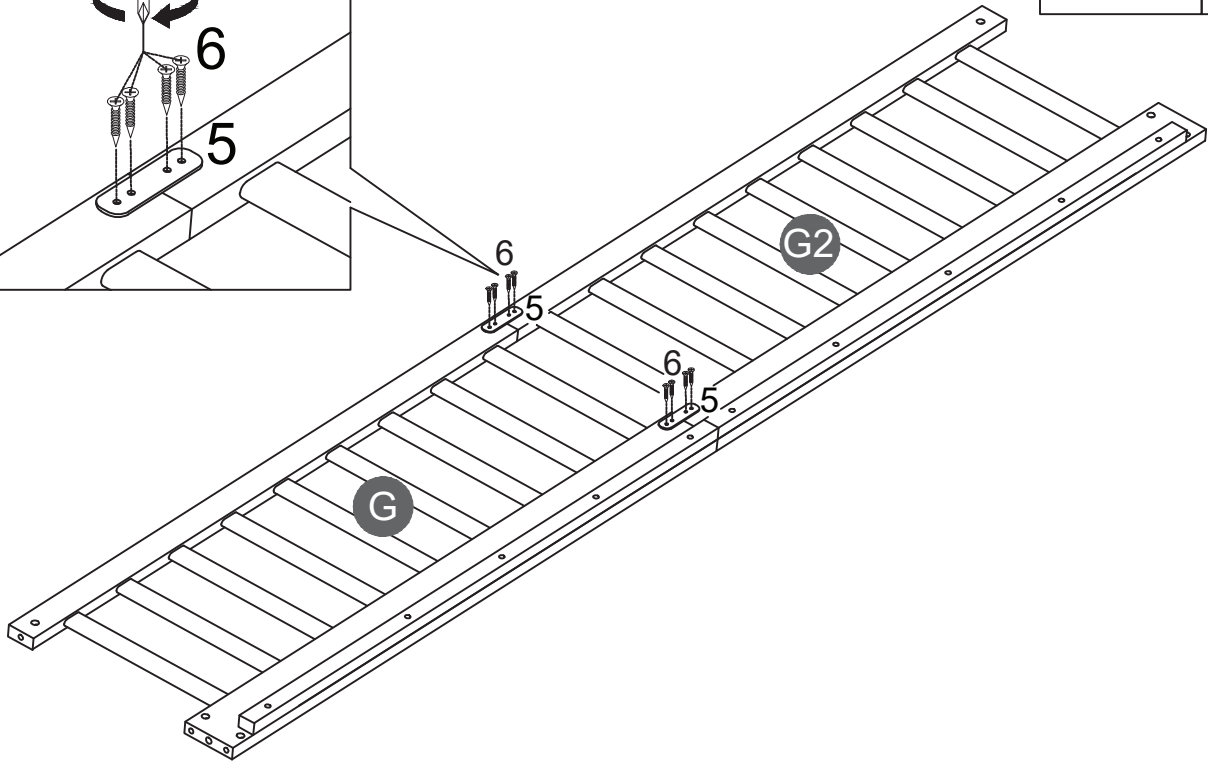
Note:
Use the **Long Wood Dowel**
M10x 40mm



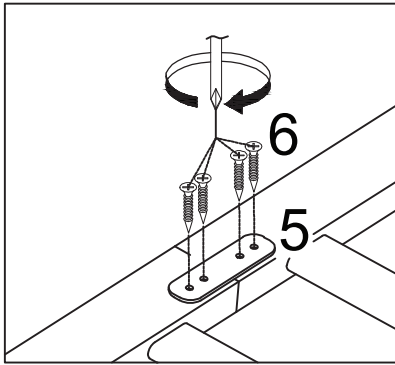
STEP 3:





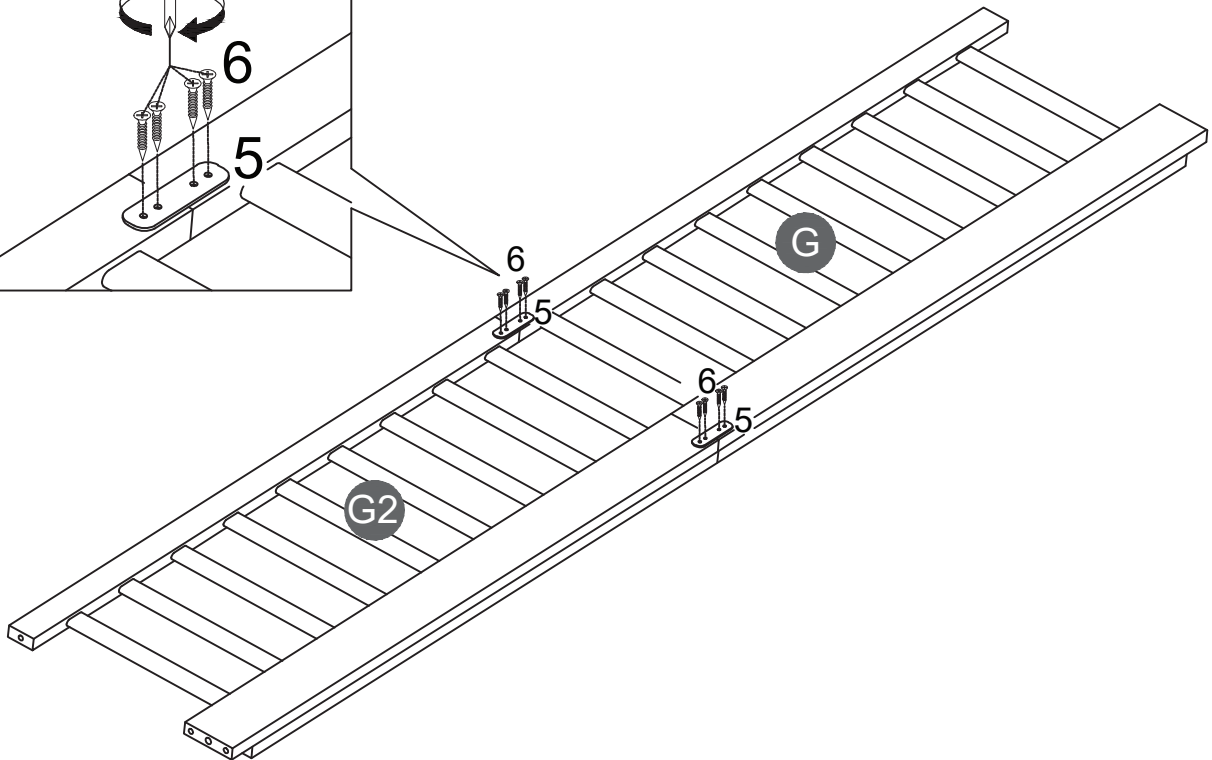
5	6
	
2PCS	8PCS



STEP 4:




5	6
	
2PCS	8PCS

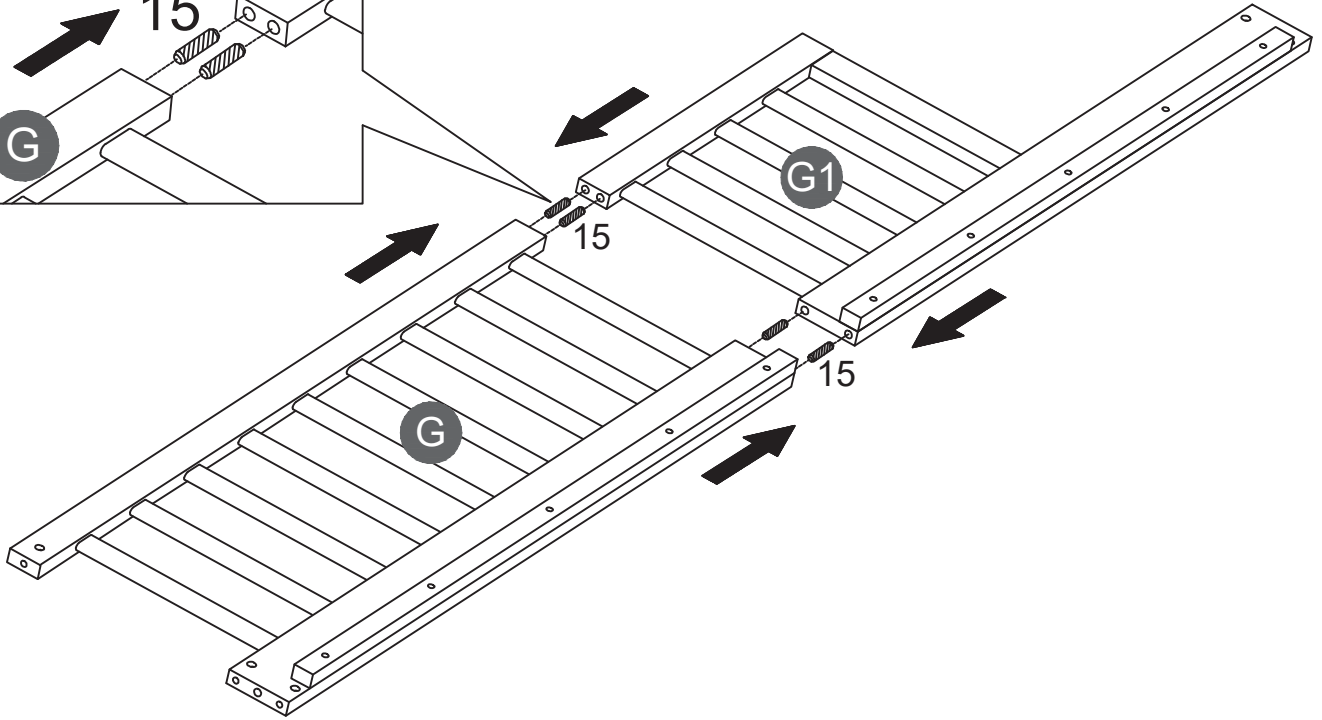
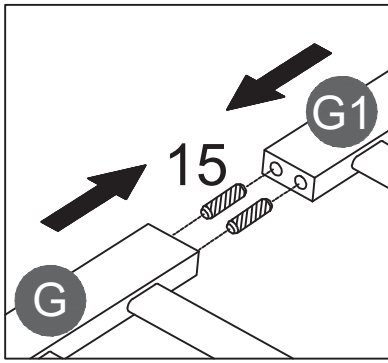


After completing the installation of Step 3, please flip to the other side.



STEP 5:

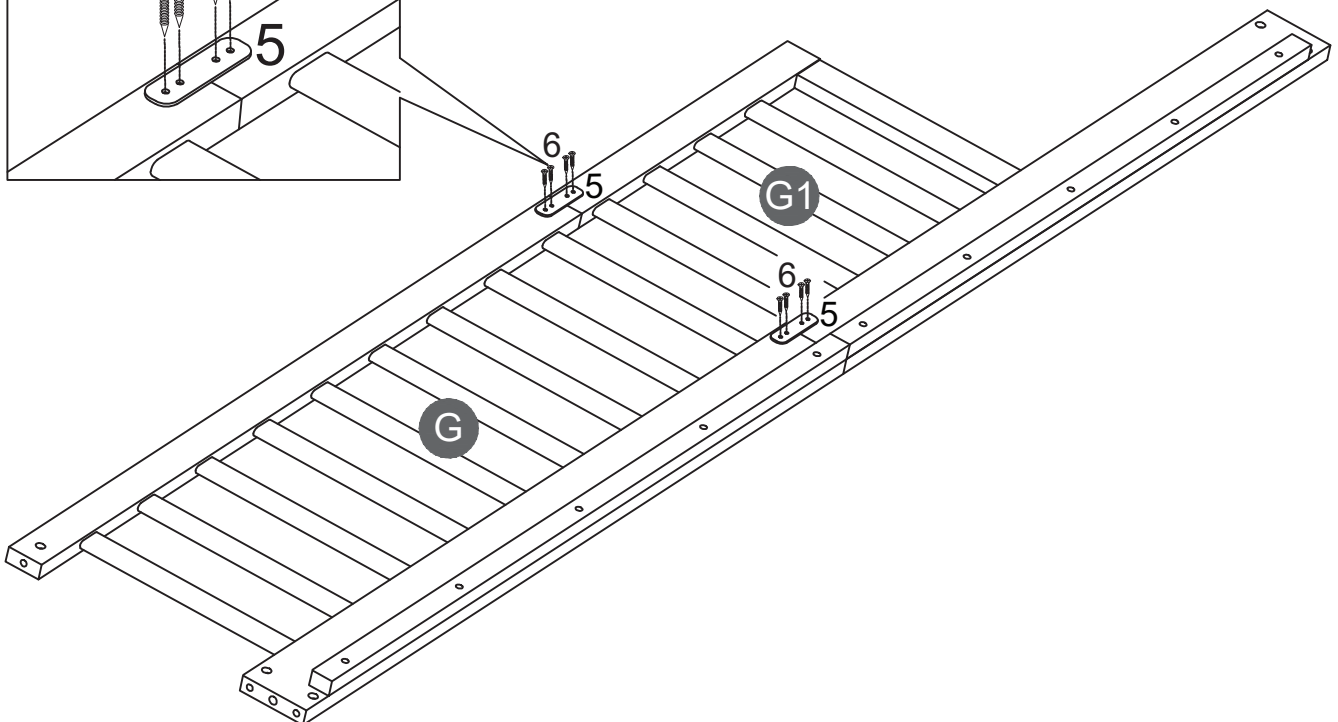
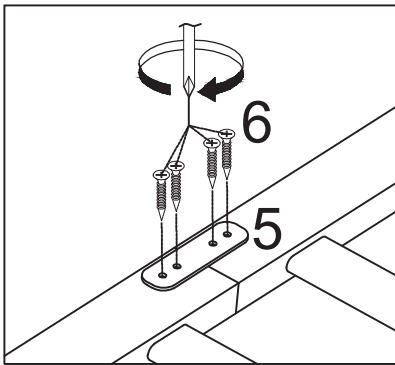
15	
4PCS	

Note:
Use the **Long Wood Dowel**
M10x 40mm

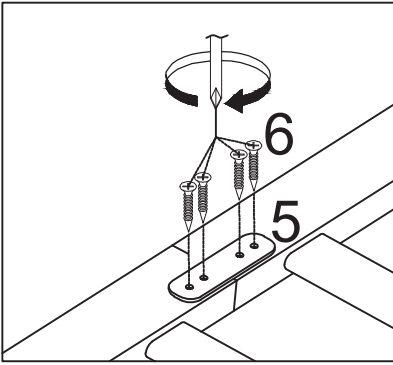


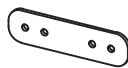
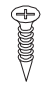
STEP 6:

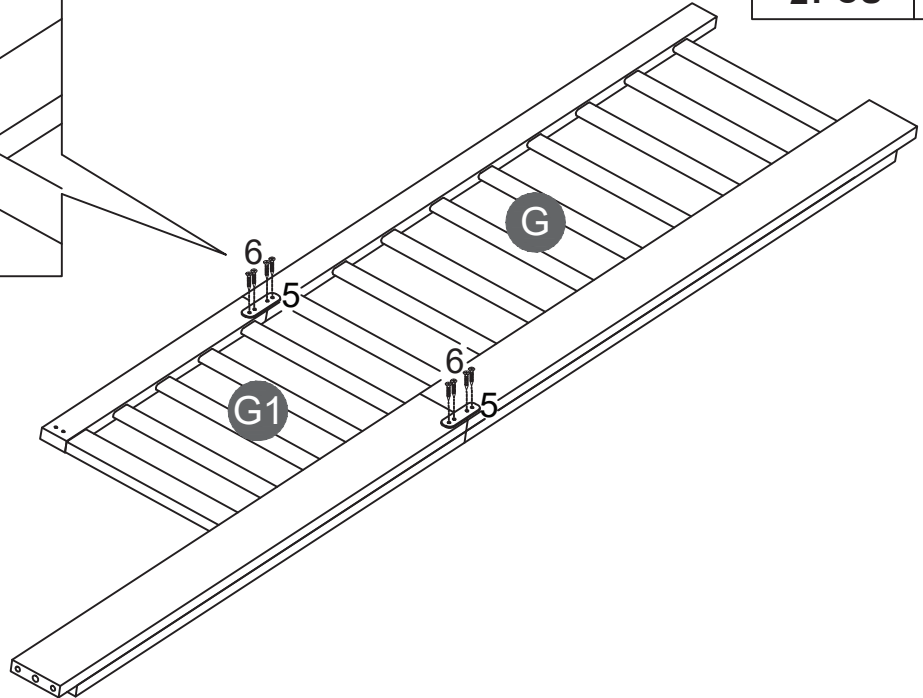
5	6
	
2PCS	8PCS



STEP 7:

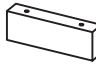



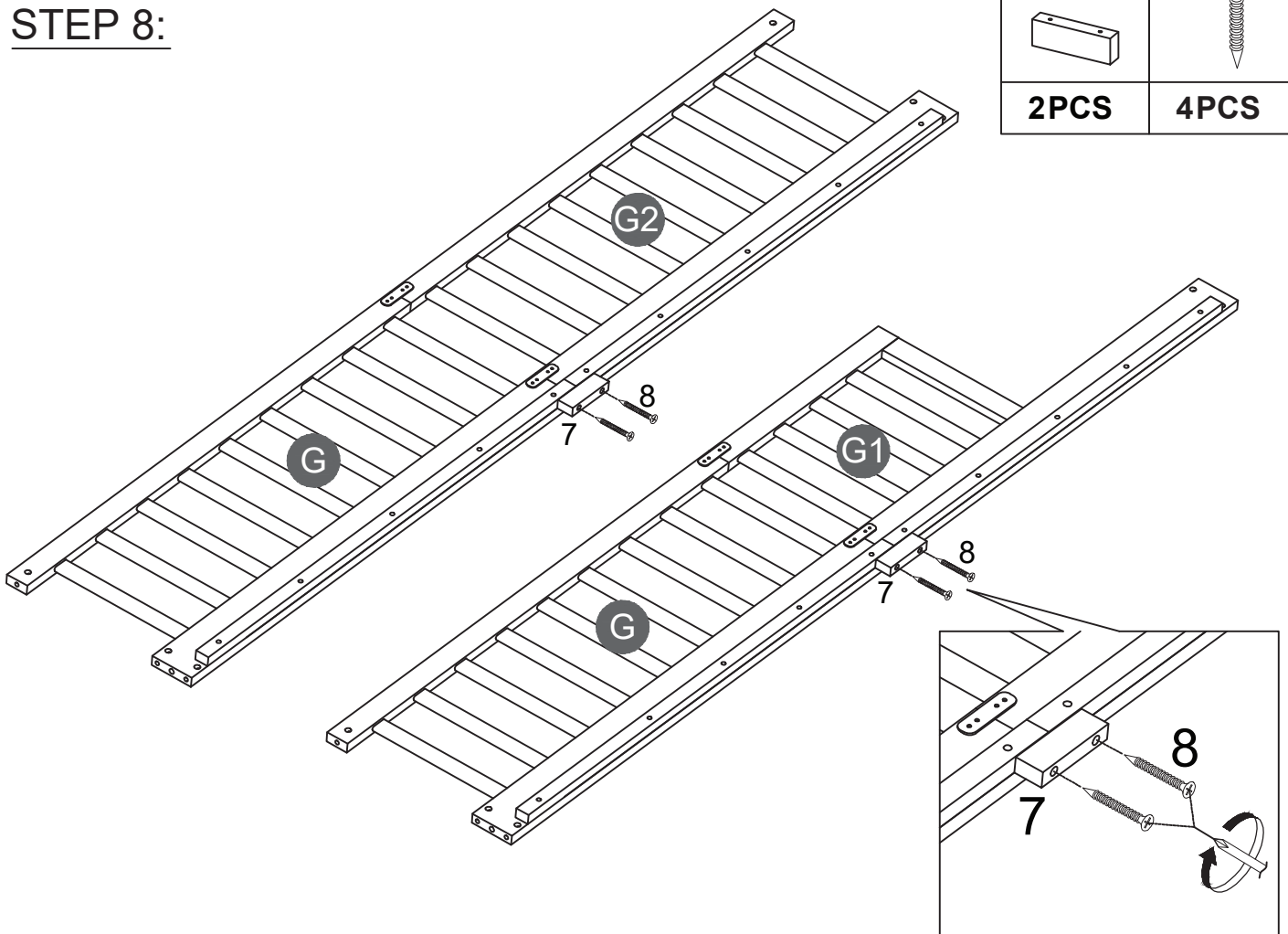
5	6
	
2PCS	8PCS







After completing the installation of Step 6, please flip to the other side.

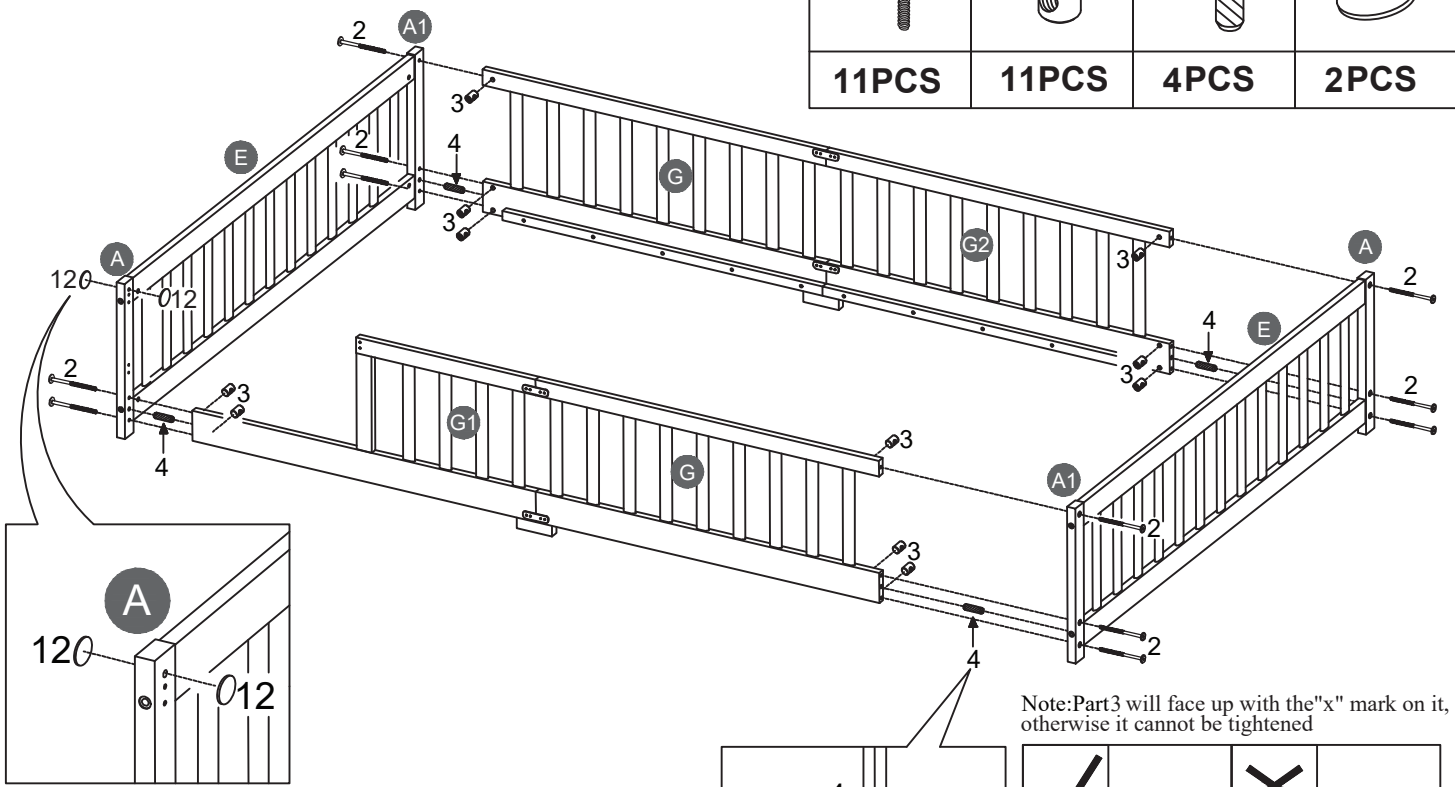
STEP 8:

7	8
	
2PCS	4PCS

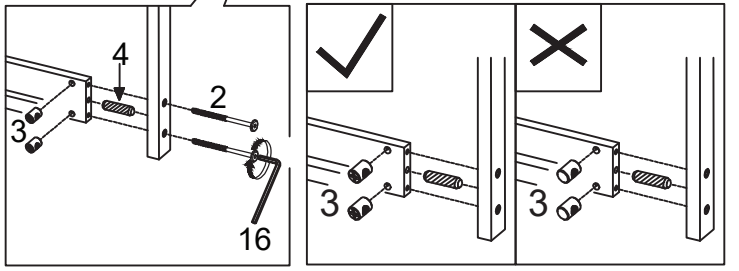


STEP 9:


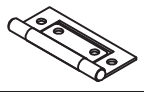
2		3		4		12	
11PCS		11PCS		4PCS		2PCS	

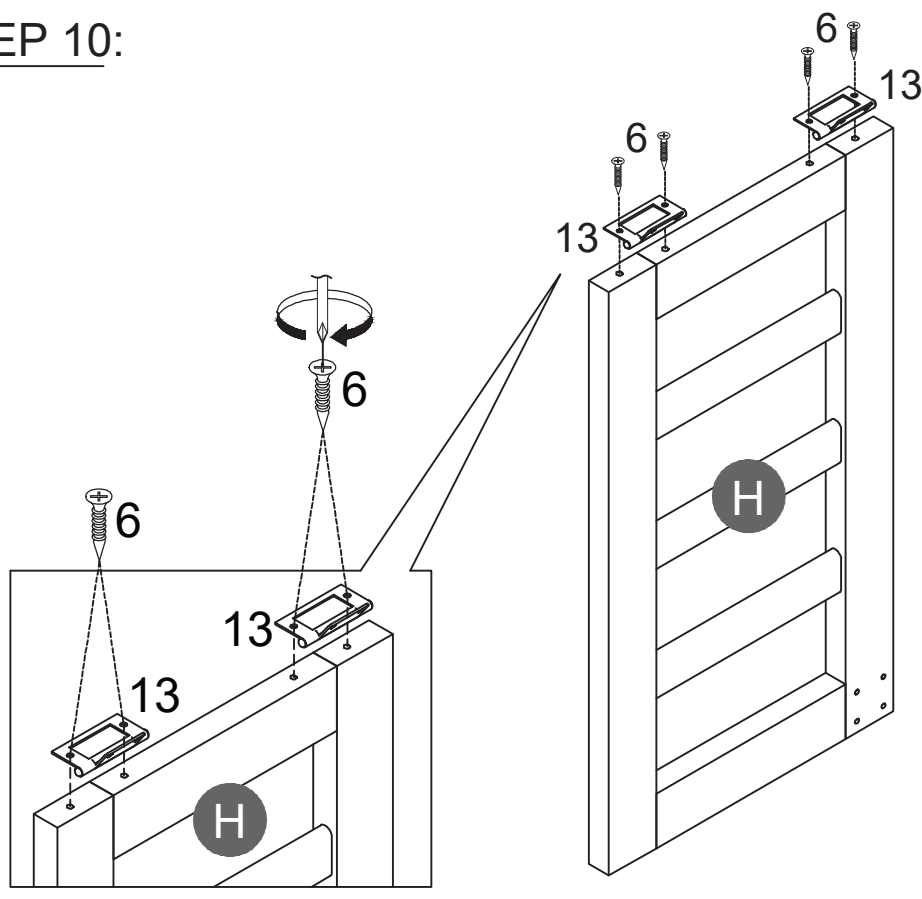


Note: Part 3 will face up with the "x" mark on it, otherwise it cannot be tightened



STEP 10:

6		13	
4PCS		2PCS	

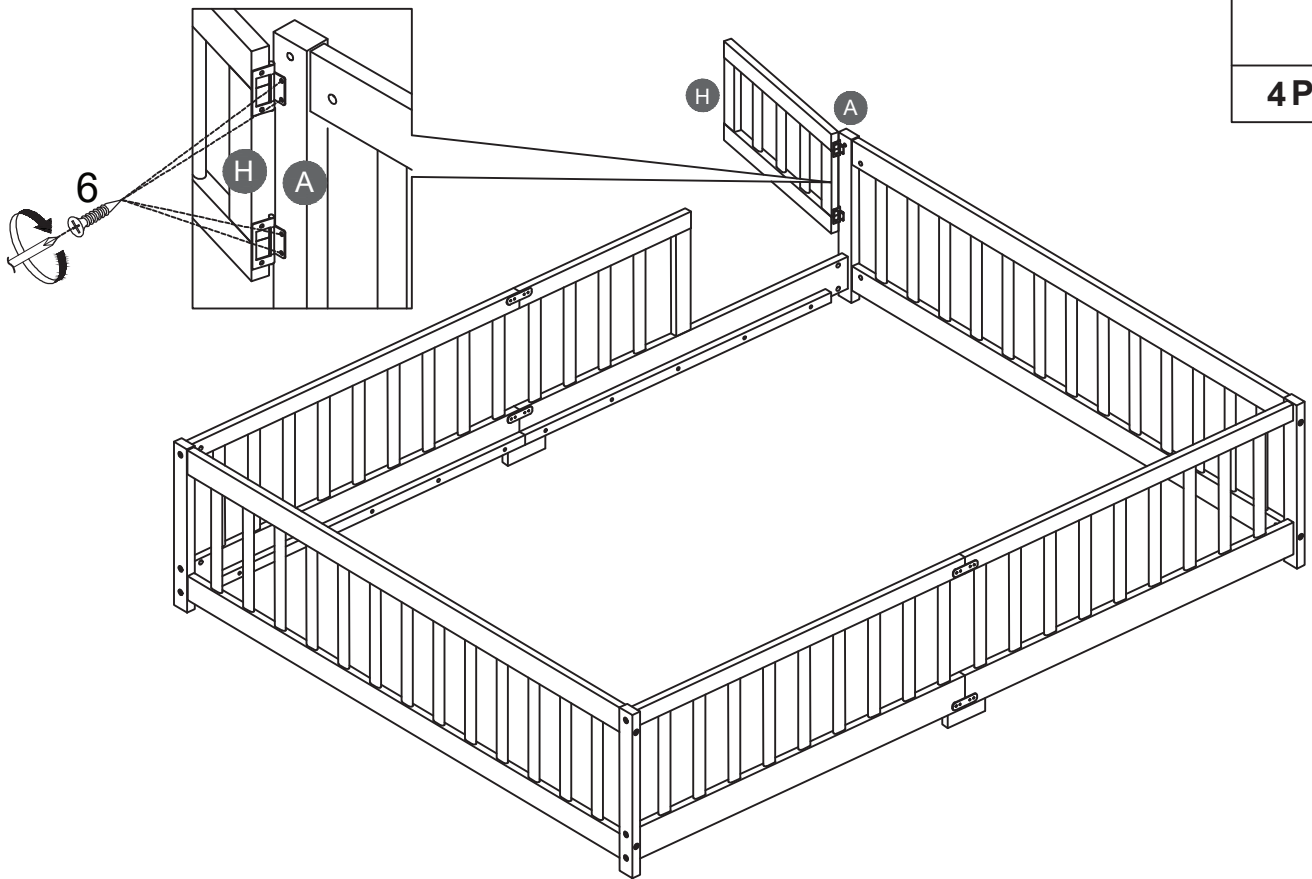


STEP 11:

6



4 PCS



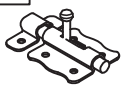
STEP 12:

6

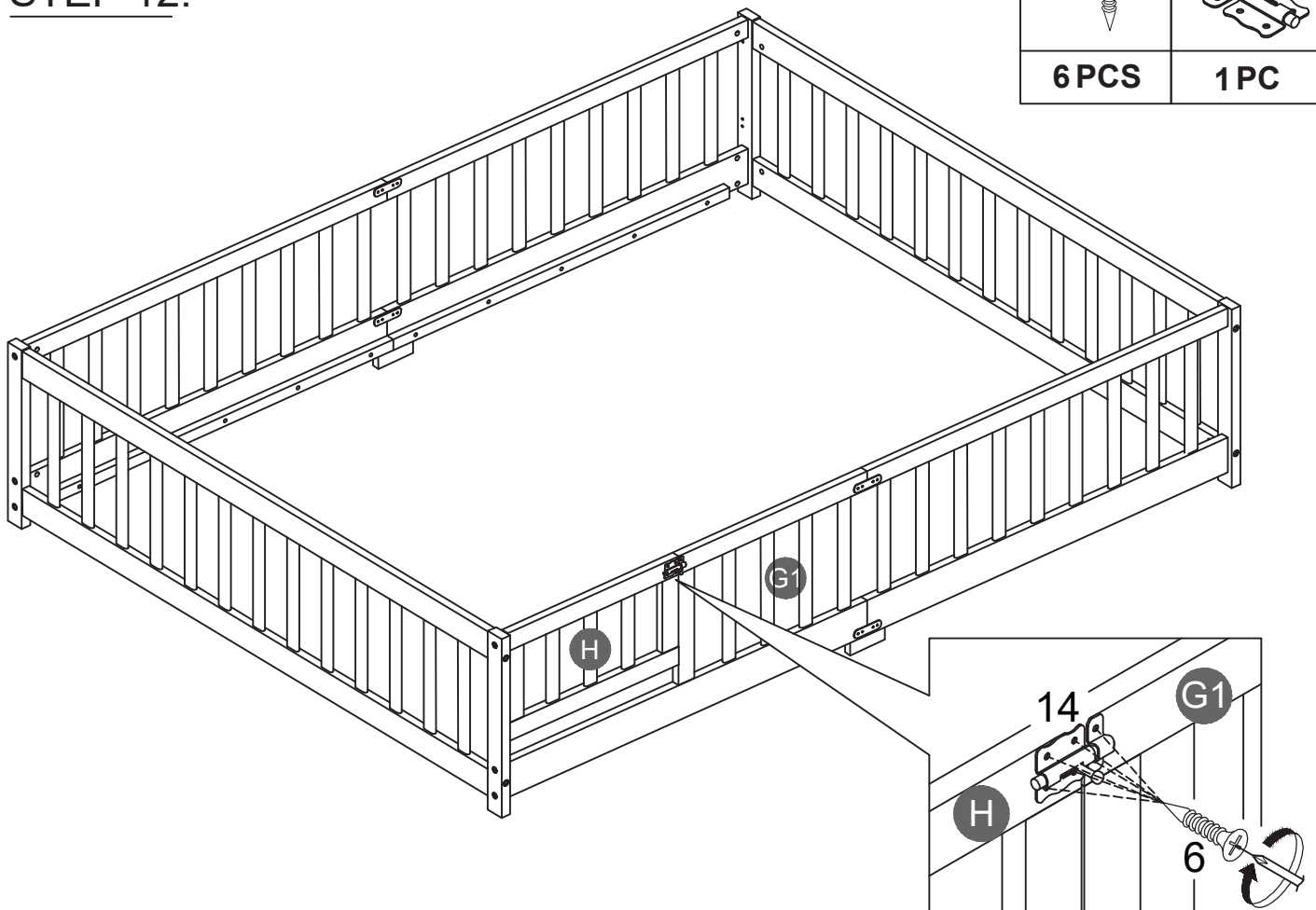


6 PCS




14

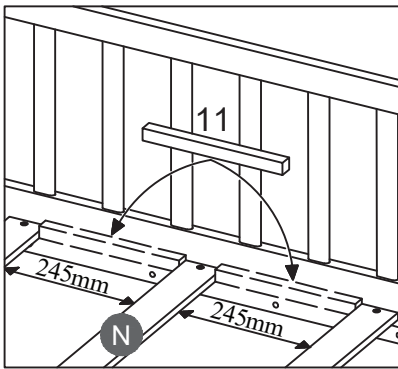
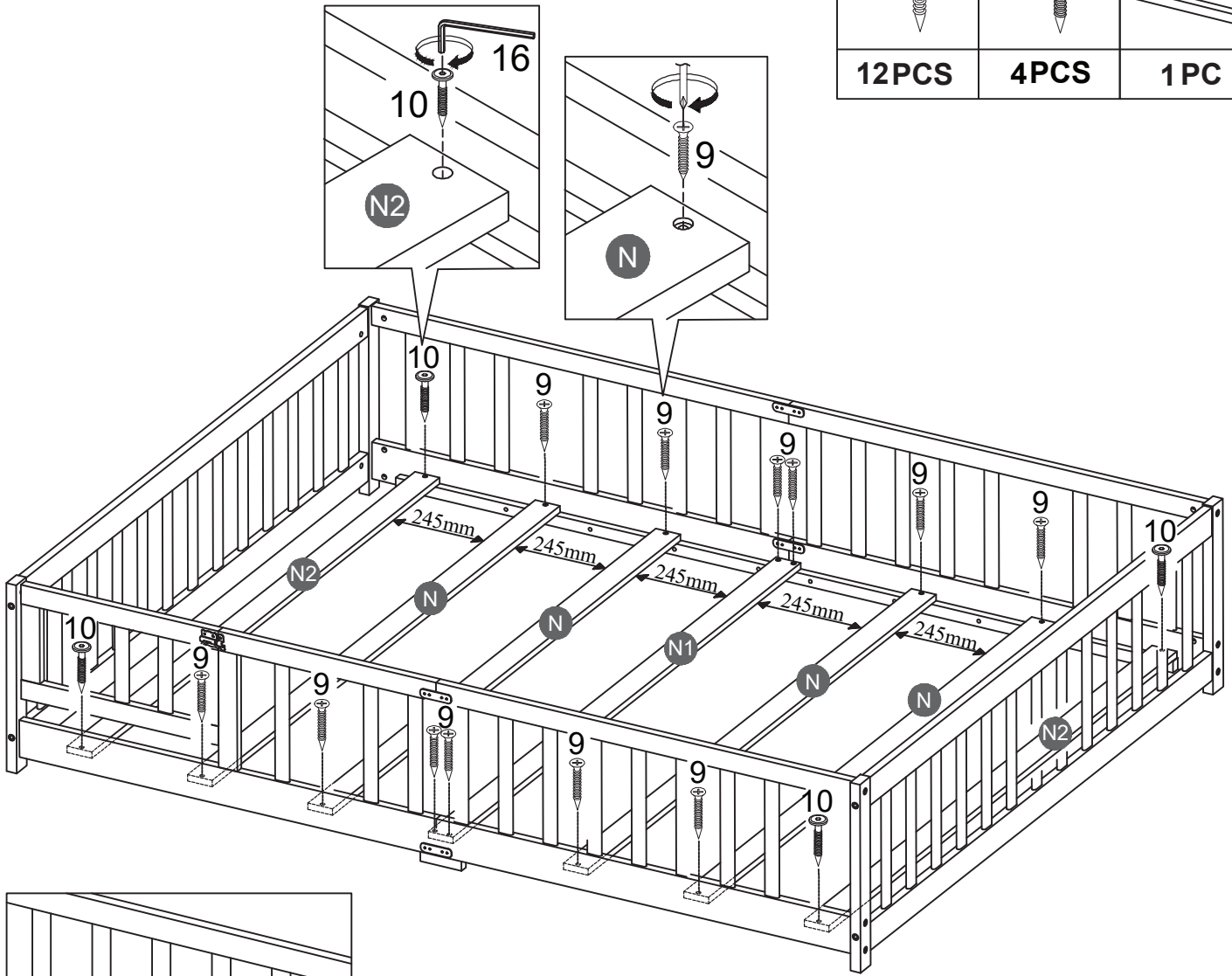


1 PC

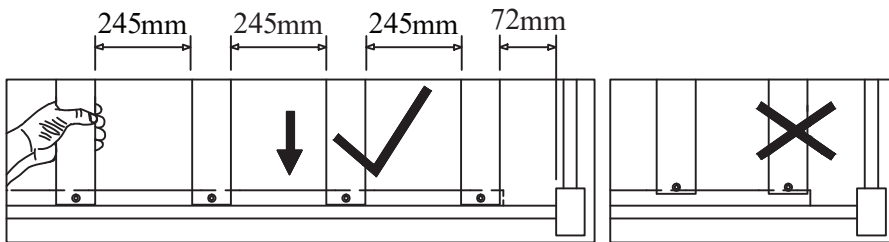


STEP 13:

9		10		11	
12PCS		4PCS		1PC	



Note: Use Wood Block as a guidance distance between Bed Slats.



Note: Do not lock the screws of the bed slats to the outermost edge of the bed slats, you need to leave a certain space at the edges, otherwise it will cause the board to break. Do not lock the bed slats on the edge of the wood, please hold firmly before screwing, hold it in place with one hand, then lock the screw.