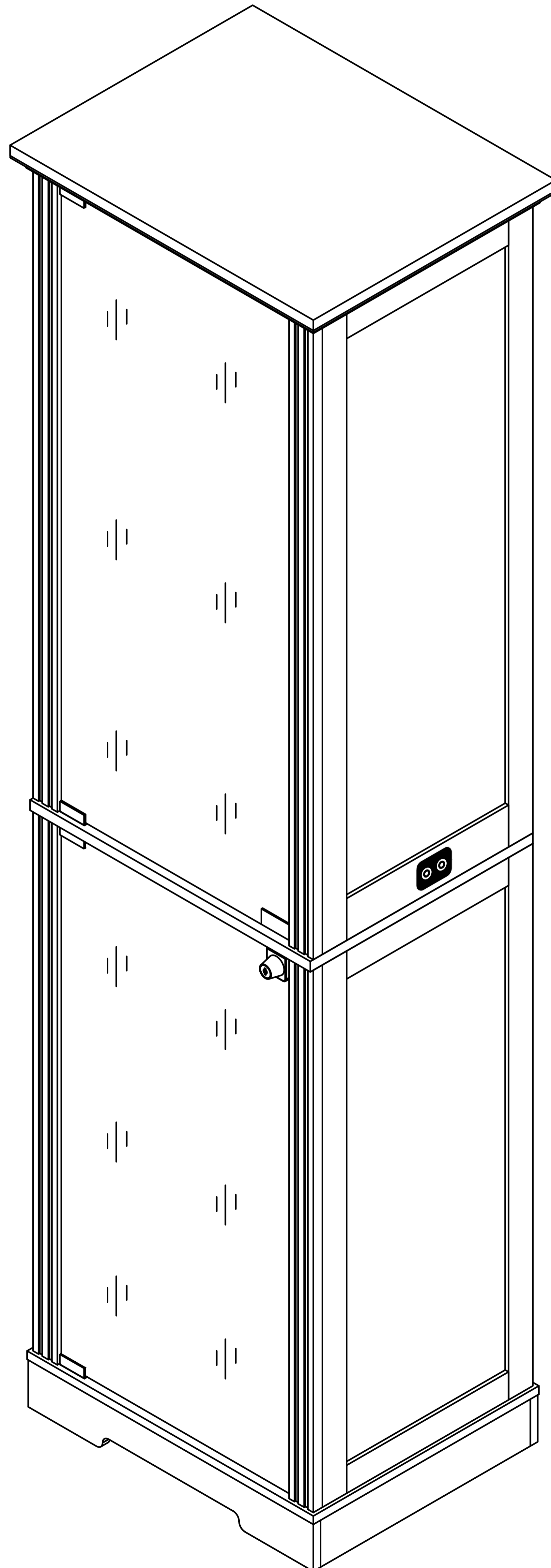
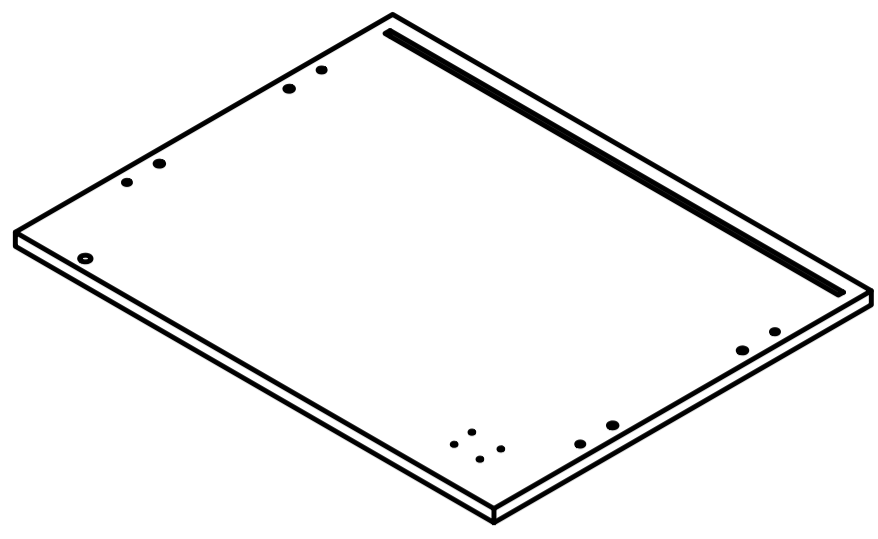
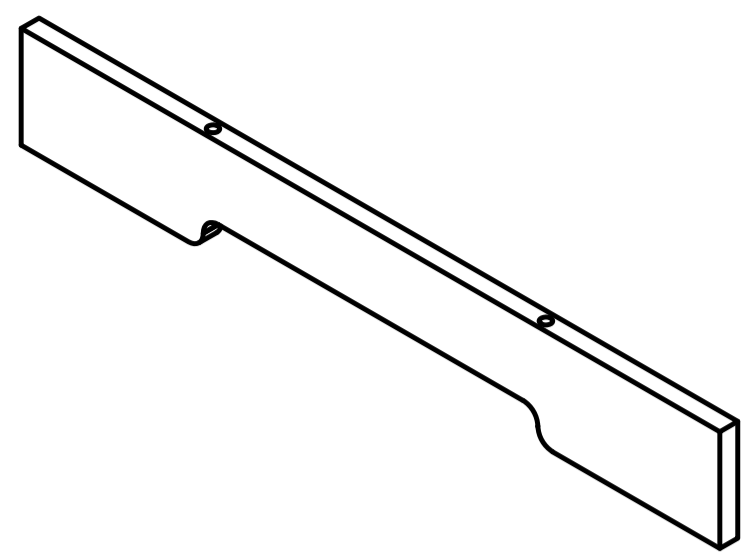


# Product Installation Instructions

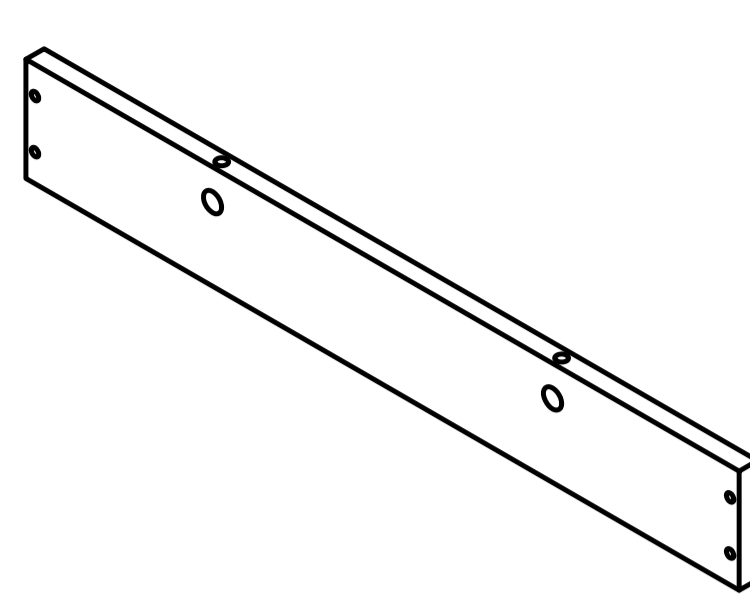




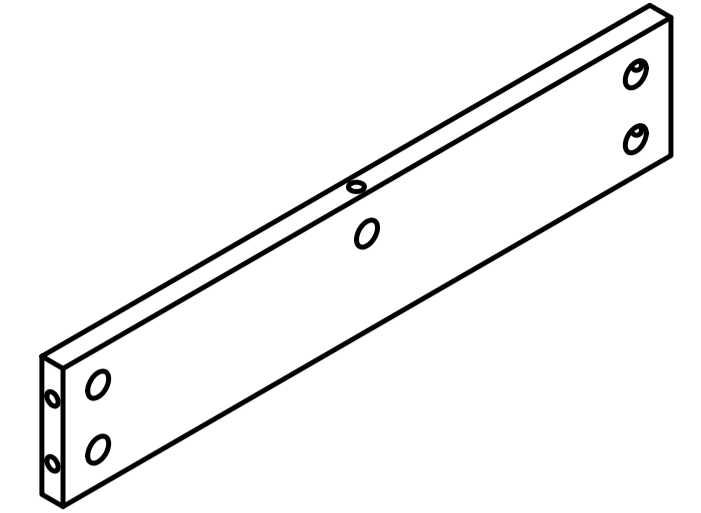
**Ax1**



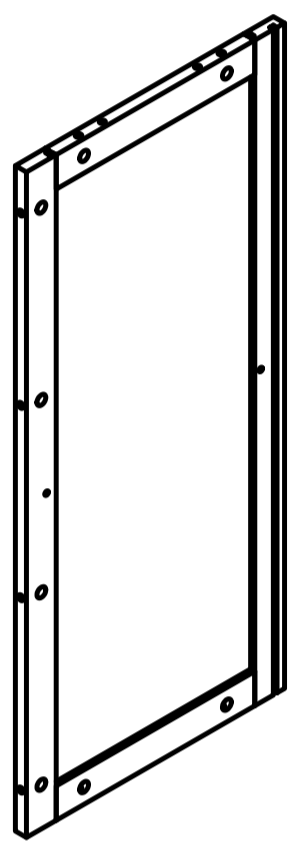
**Bx1**



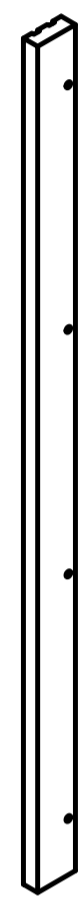
**Cx1**



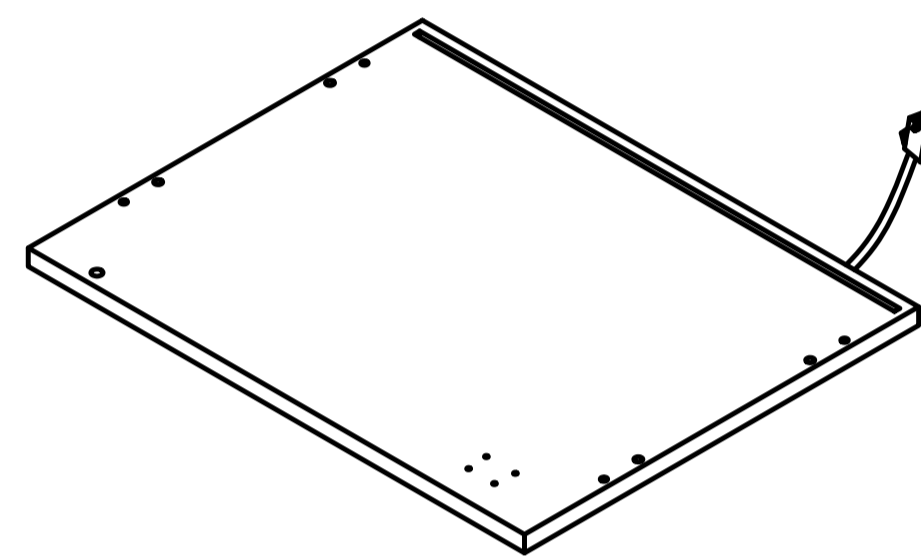
**Dx2**



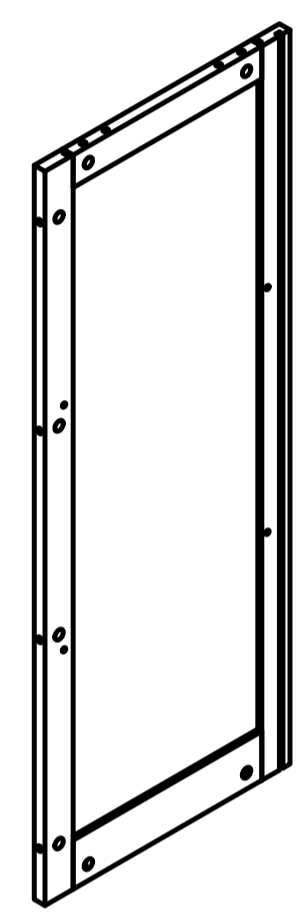
**Ex2**



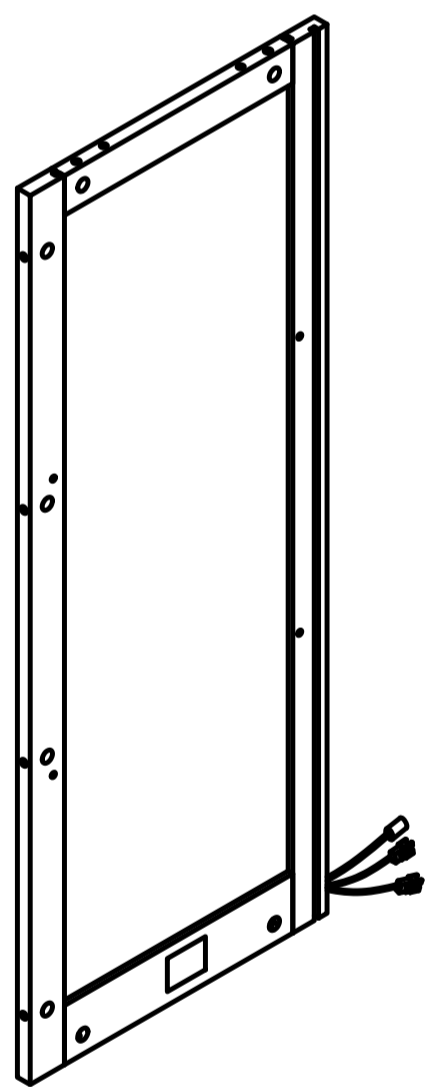
**Fx2**



**Gx1**



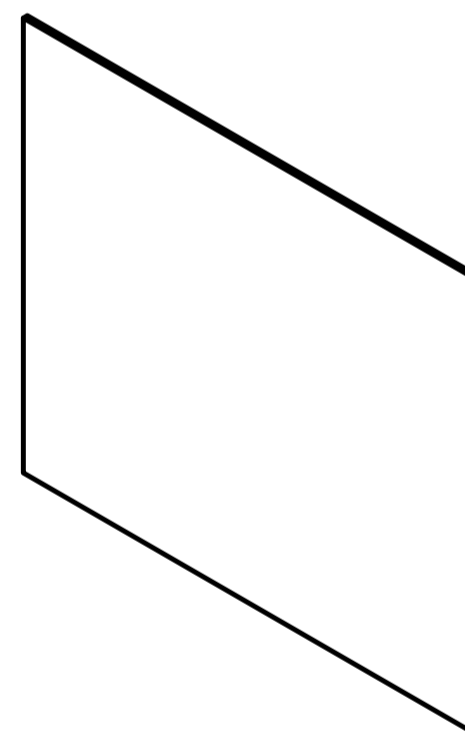
**Hx1**



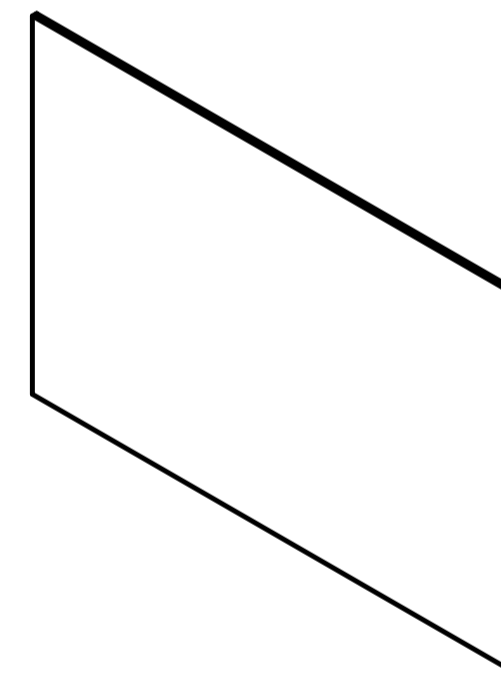
**Ix1**



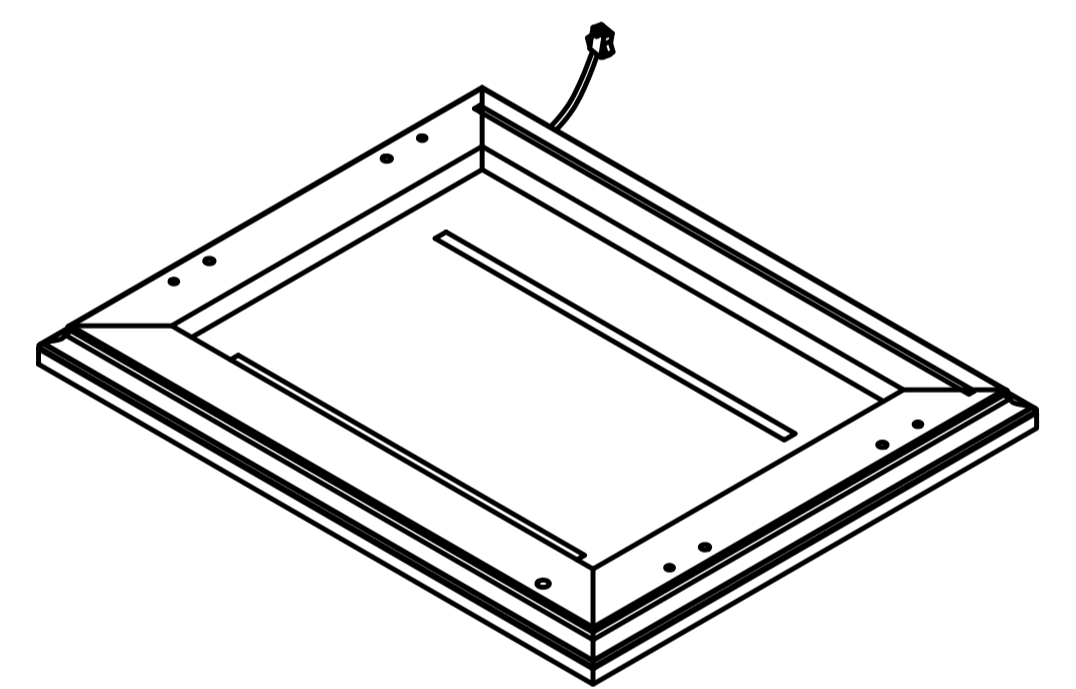
**Jx2**



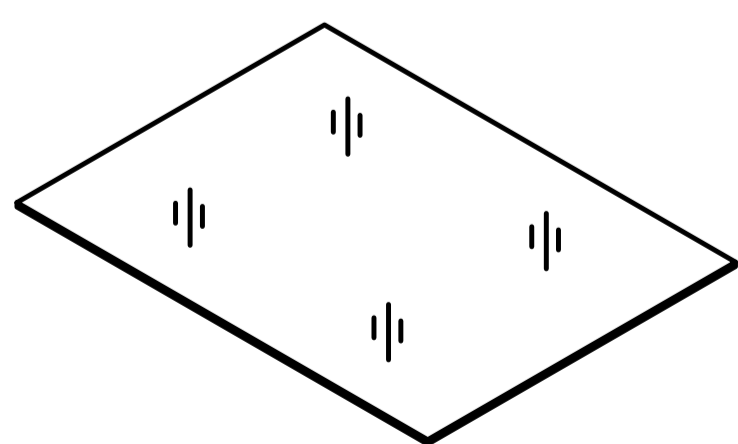
**Kx2**



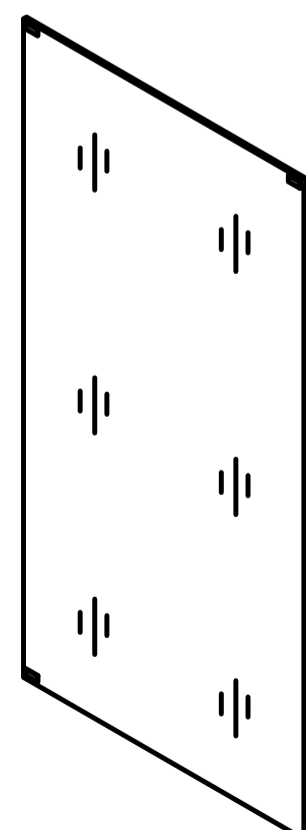
**Lx3**



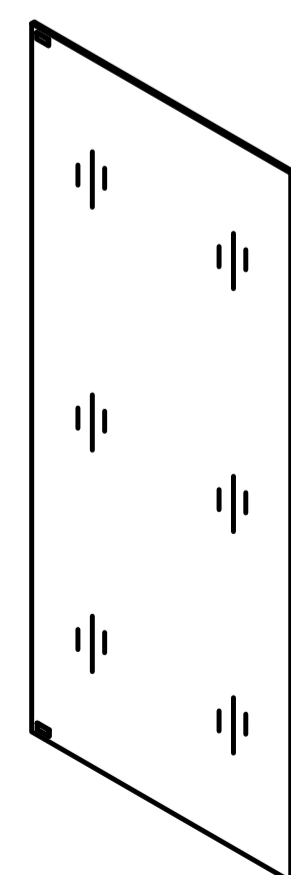
**Mx1**



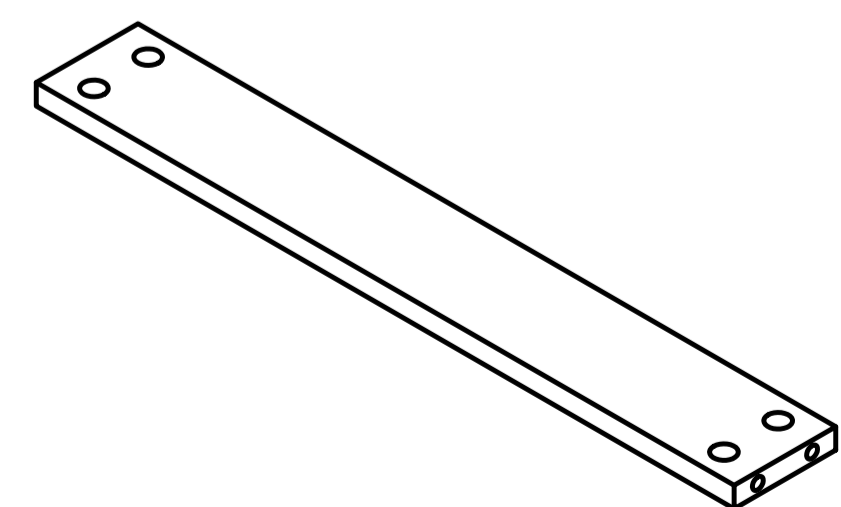
**Nx3**



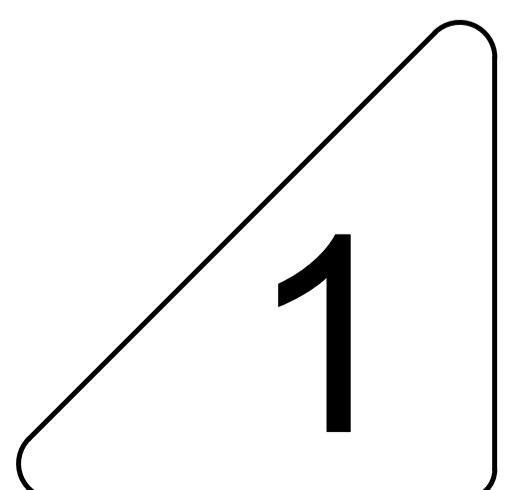
**Ox1**



**Px1**

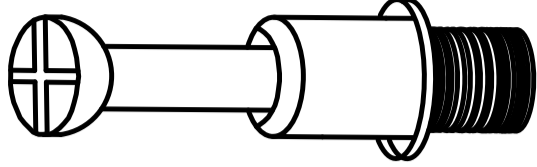
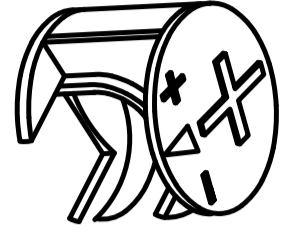


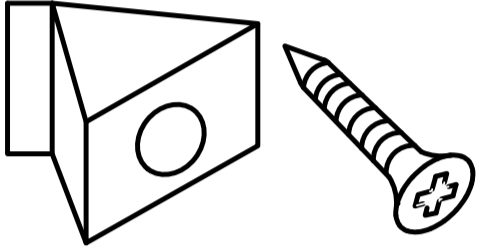
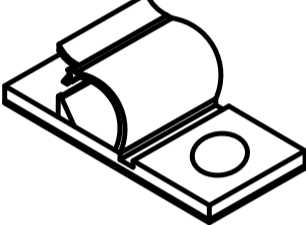
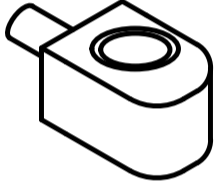
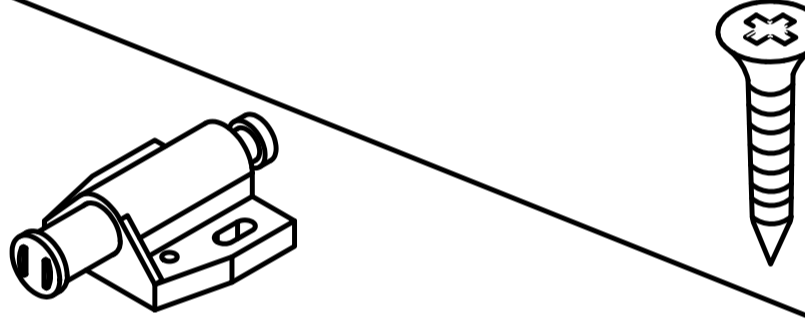
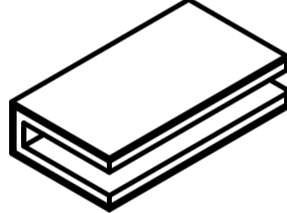

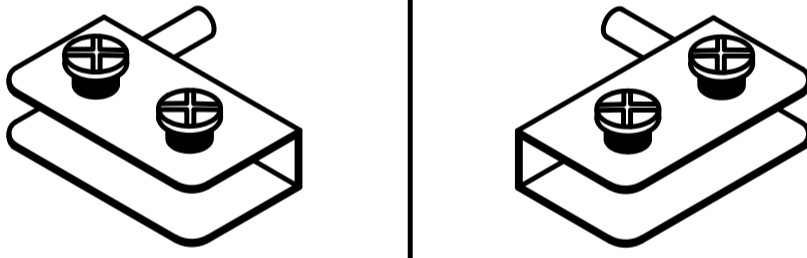
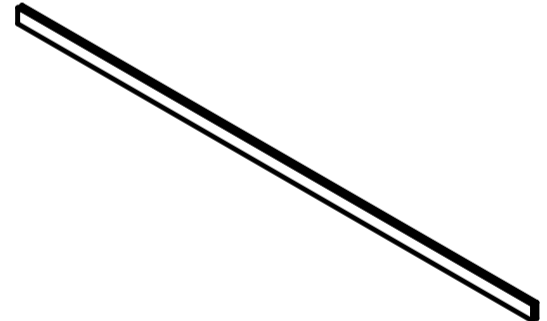
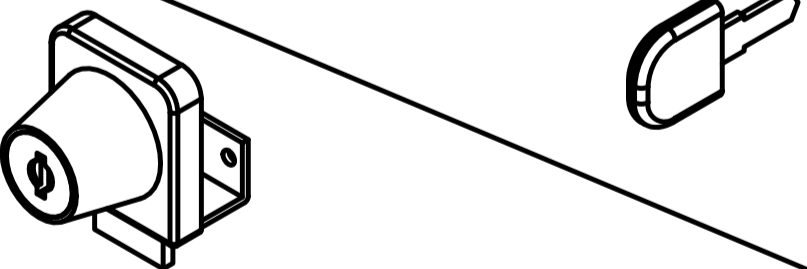
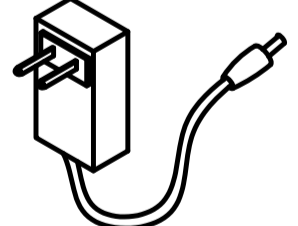
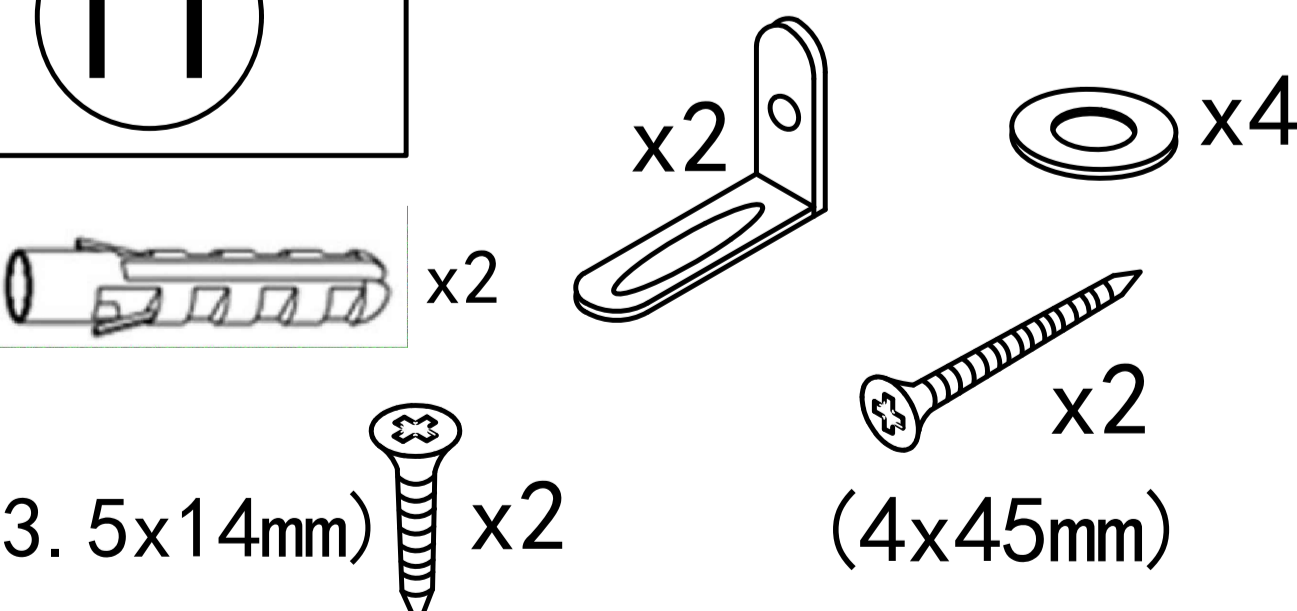
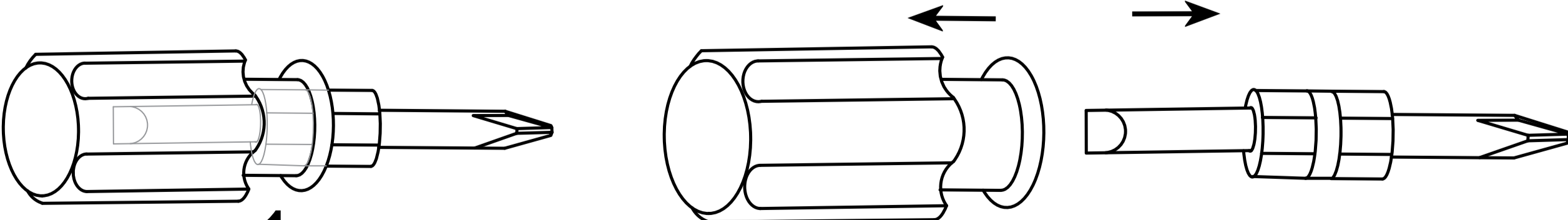



**Qx2**

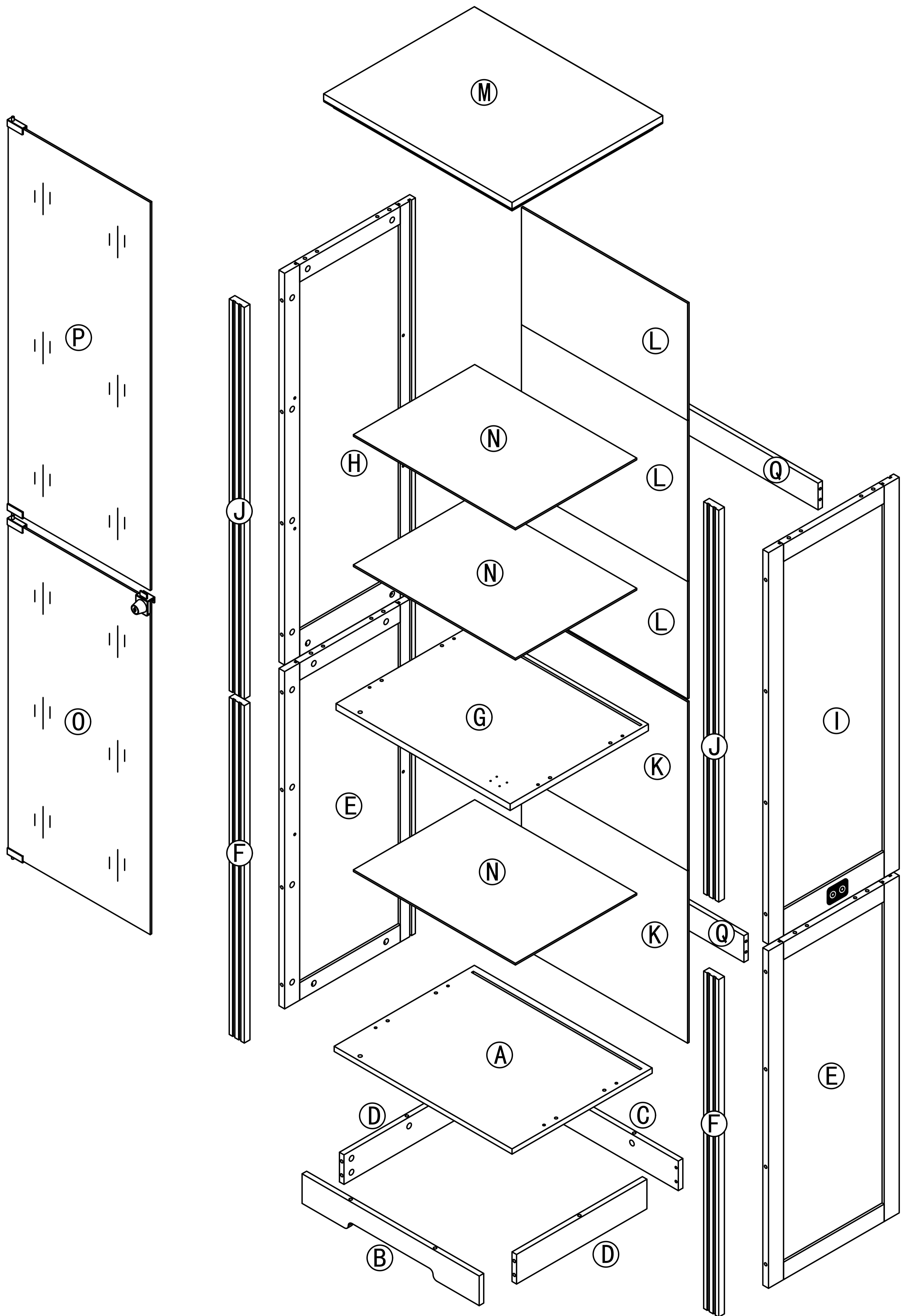


**1**

# Accessories list

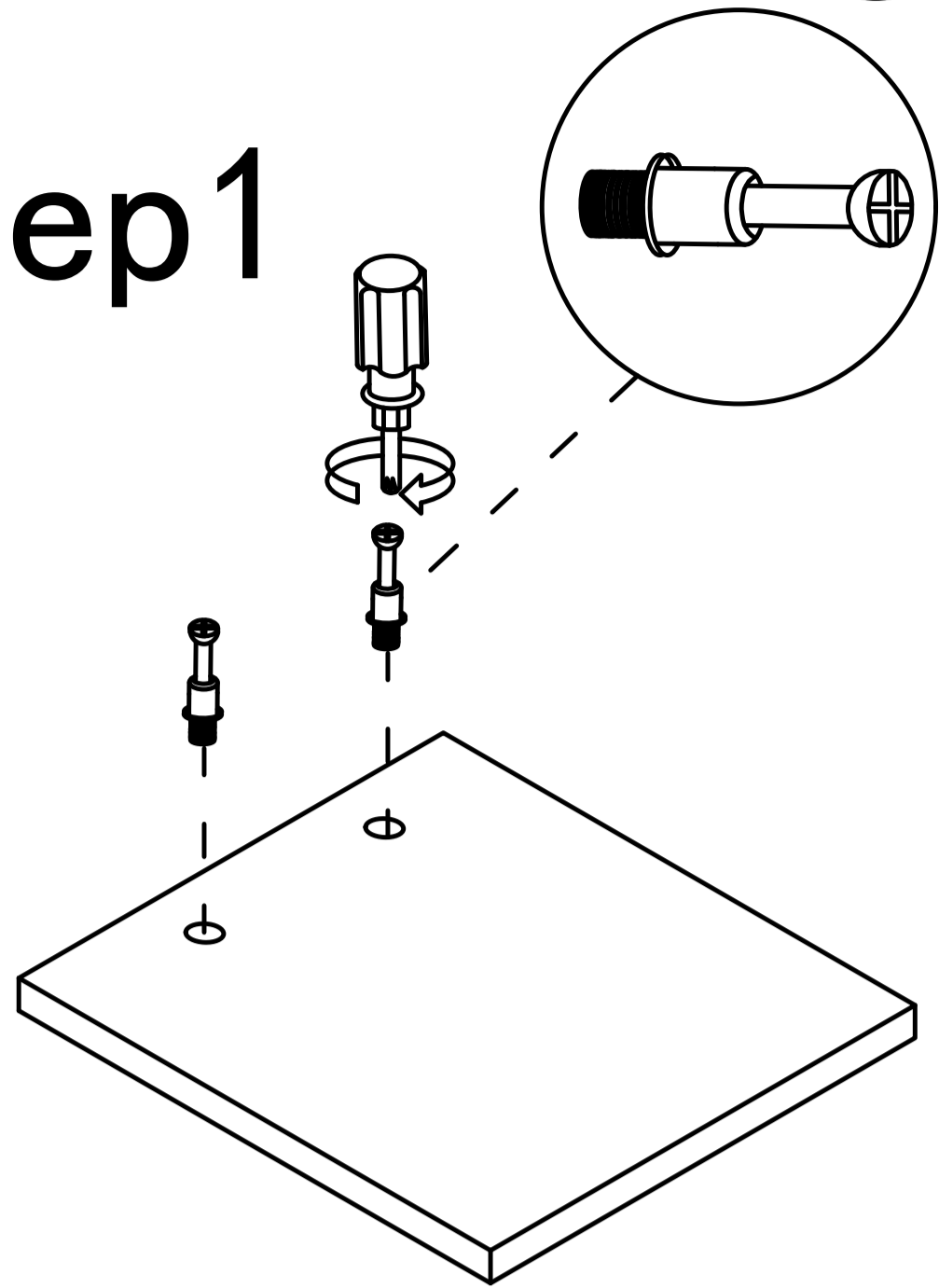
①		Two in one screw (6x28mm)	54pcs +3pcs
②		Two in one nut (10x12mm)	54pcs +3pcs
③		Wood Chipping (6x30mm)	16pcs +4pcs
④		Non-slip pads	6pcs
⑤		Fixing clip & screw (3x16mm)	12pcs +1pcs
⑥		Wire clamp	3pcs +2pcs
⑦		Laminate Support Nail	12pcs +2pcs
⑧		Rebound device & Screw (3x16mm)	8pcs +2pcs 2pcs
		Iron sheet	2pcs
		Rubber ring	4pcs
		Hinge	2pcs   2pcs
⑨		Backboard card strip	3pcs
⑩		Double door glass lock	2pcs 1pcs
		Key	
⑪		AC/DC Adapter (12V=2.0A)	1pcs
	<p>Anti Fall Hardware</p>  <p>(3.5x14mm) x2      x2 x2      x4 x2      x2 (4x45mm)</p>	<p>Double-head screwdriver, use as required</p>  <p>1pcs</p>	
			 <p>2</p>

# Product structure decomposition

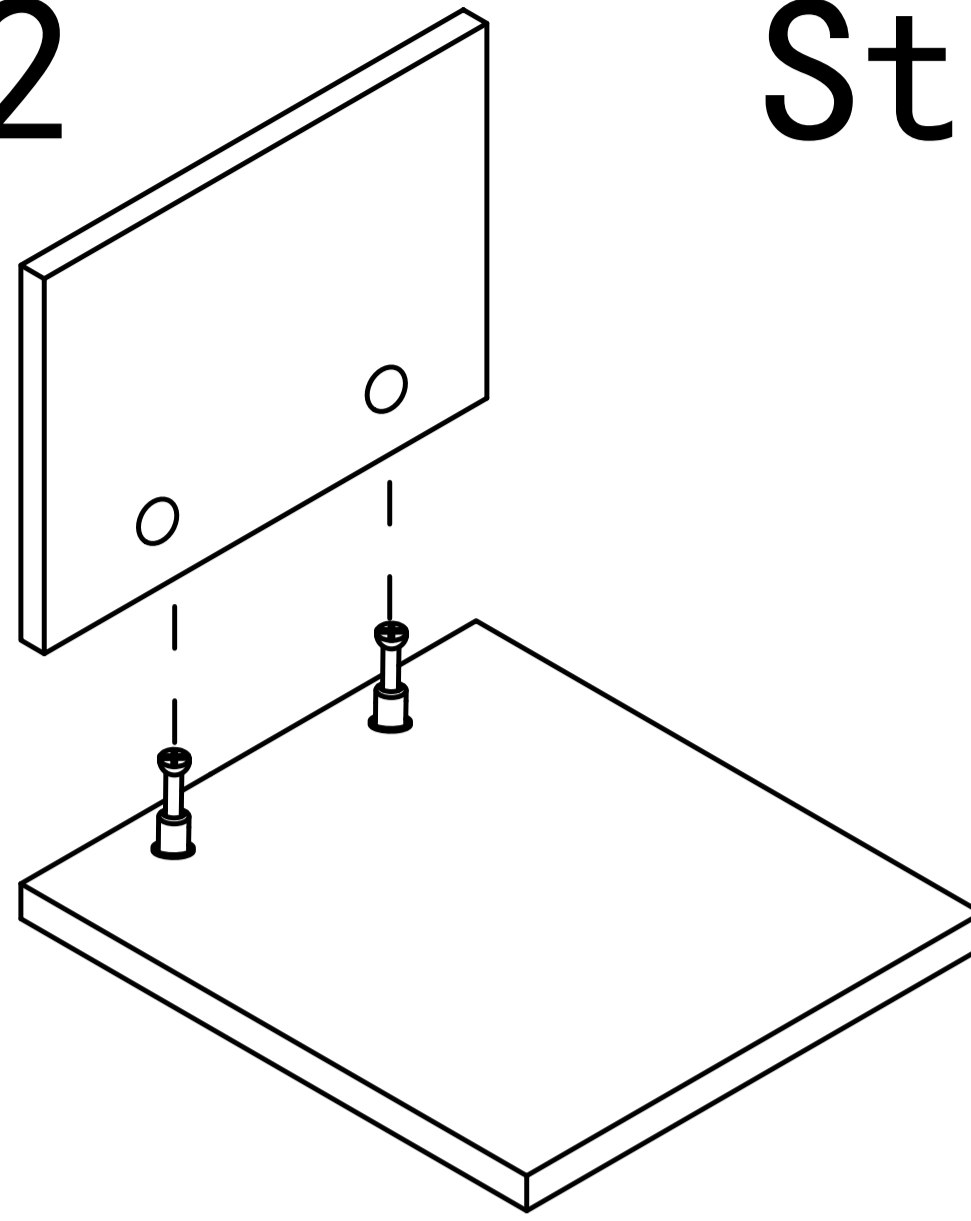


# Use parts ① and ②

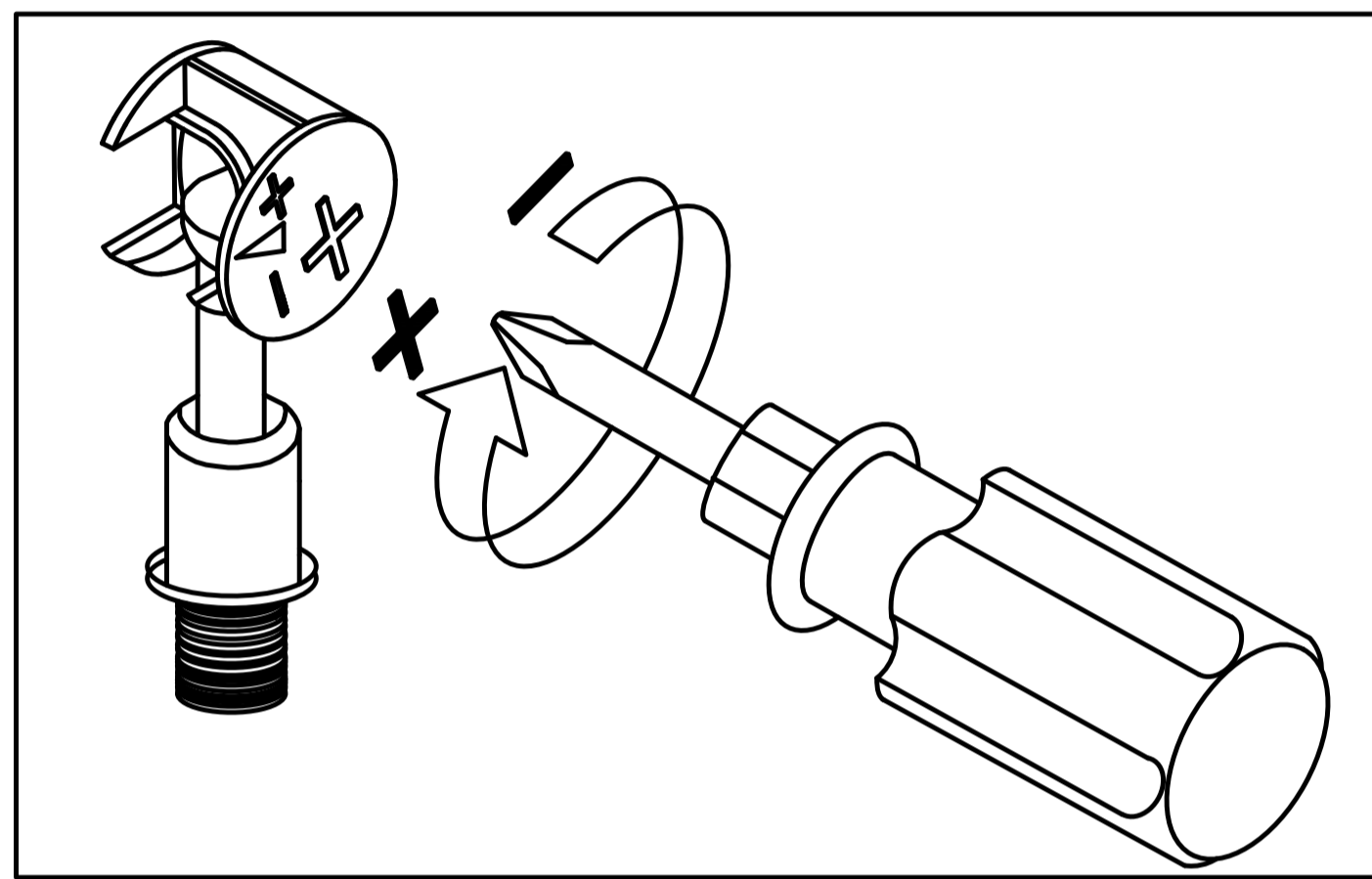
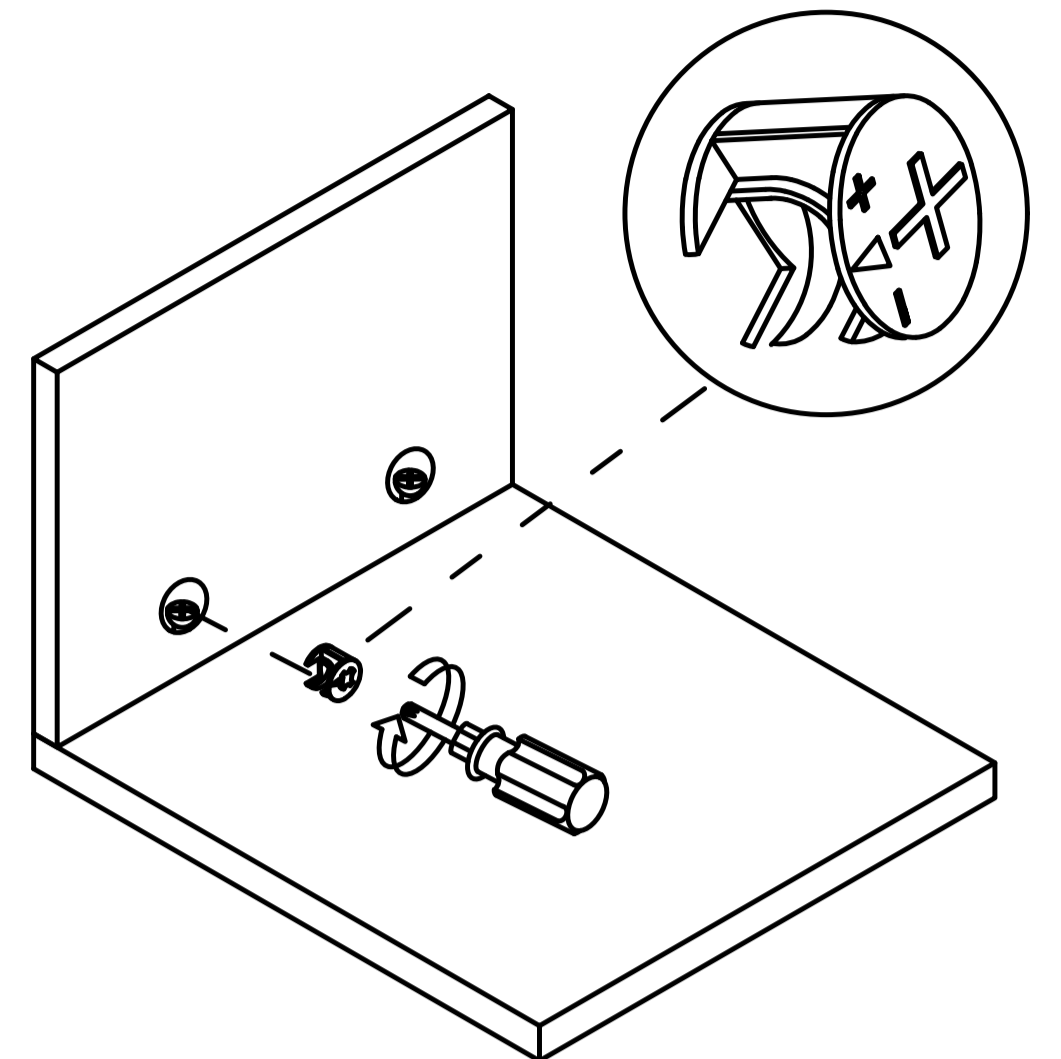
Step 1



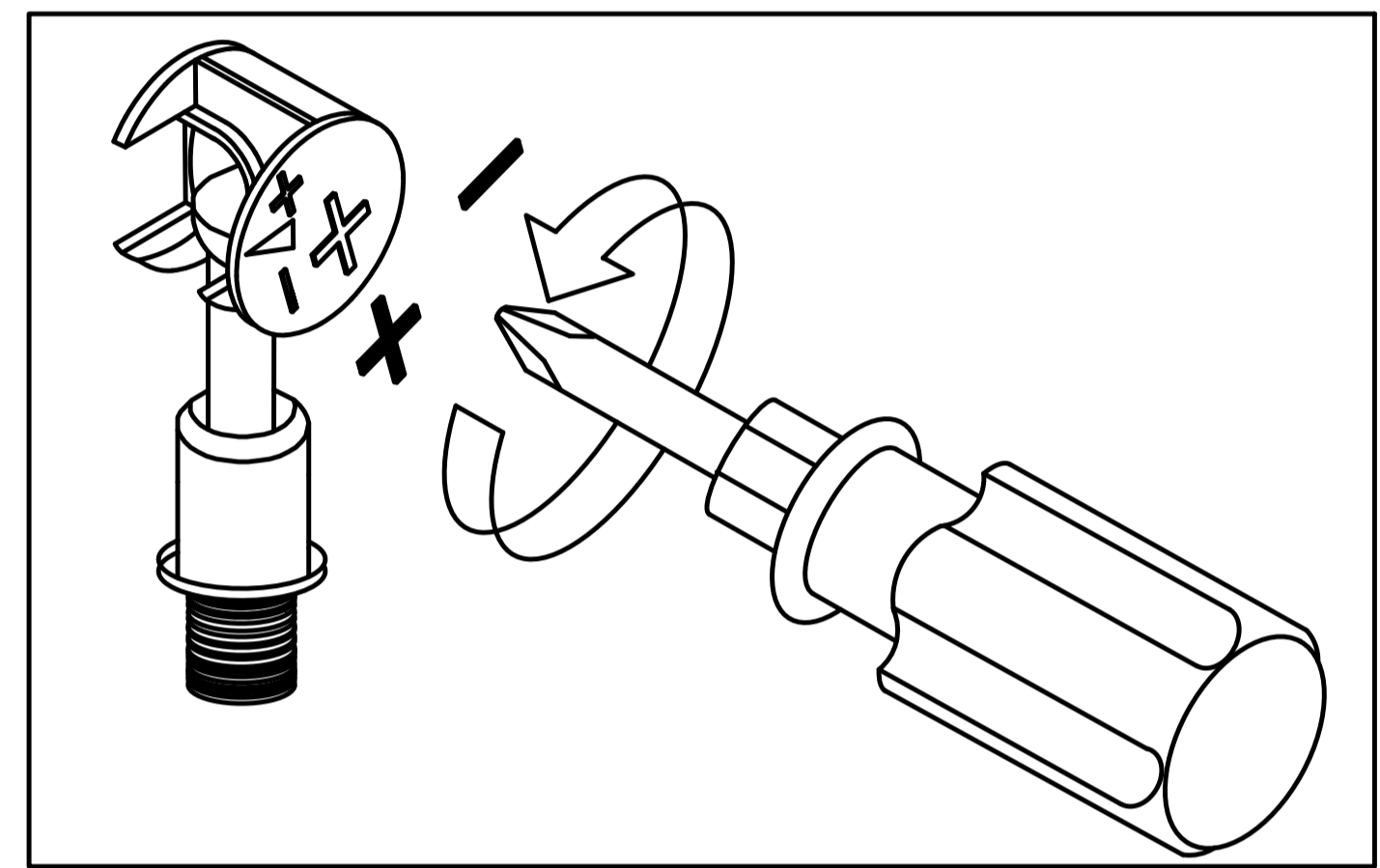
Step 2



Step 3

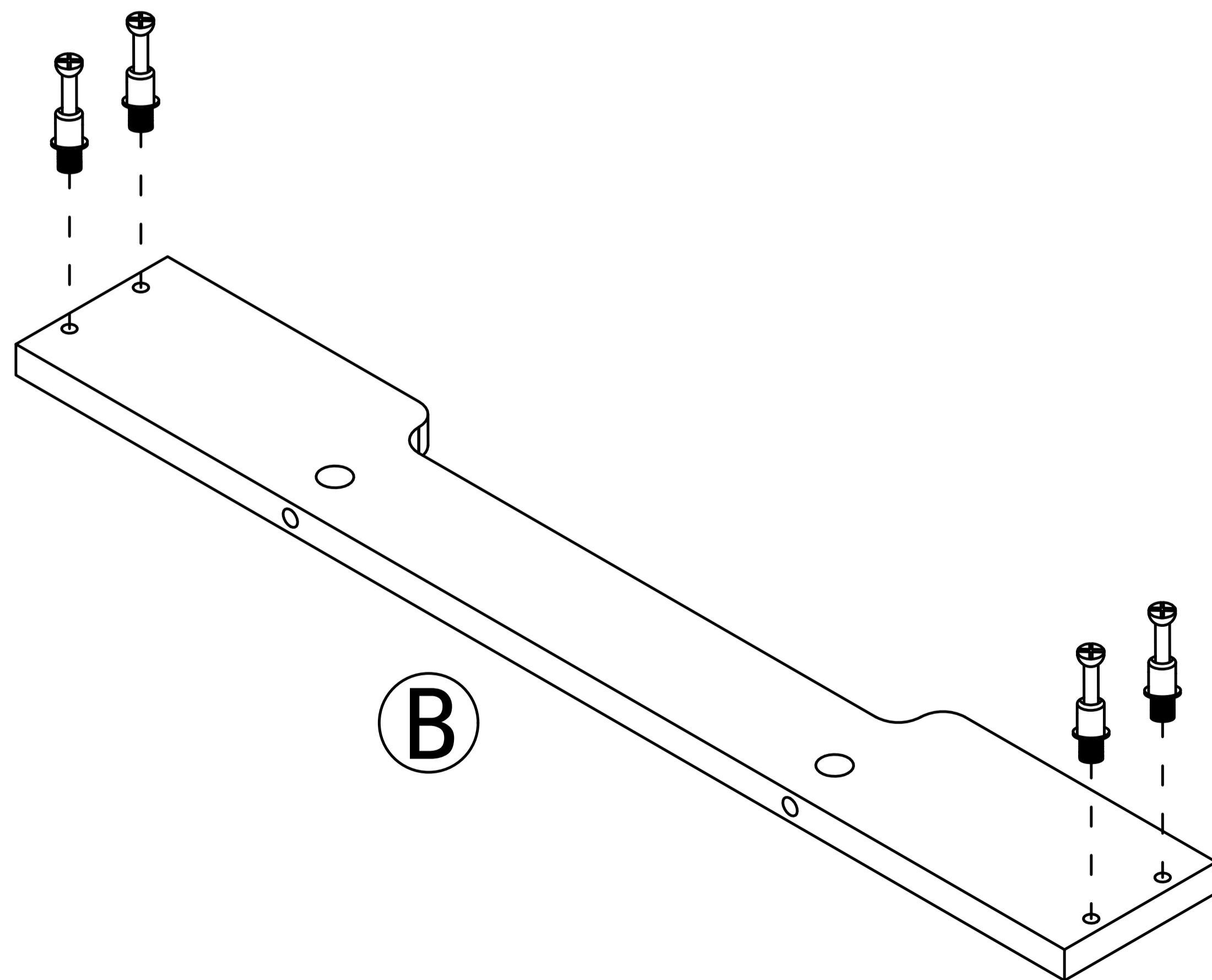
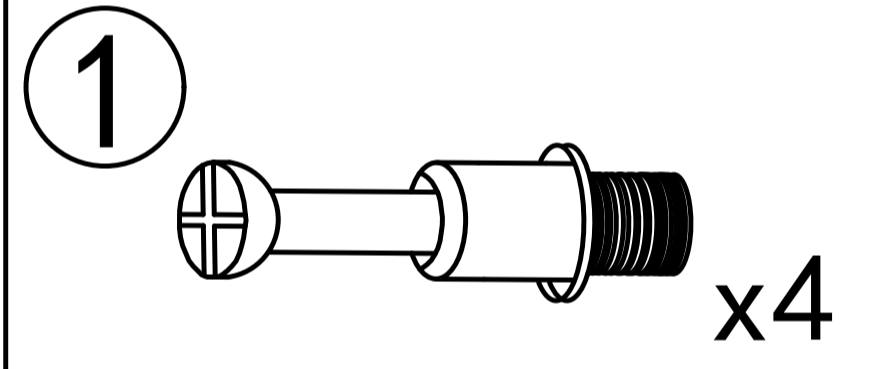


Use a screwdriver to lock in the direction of the "+" sign



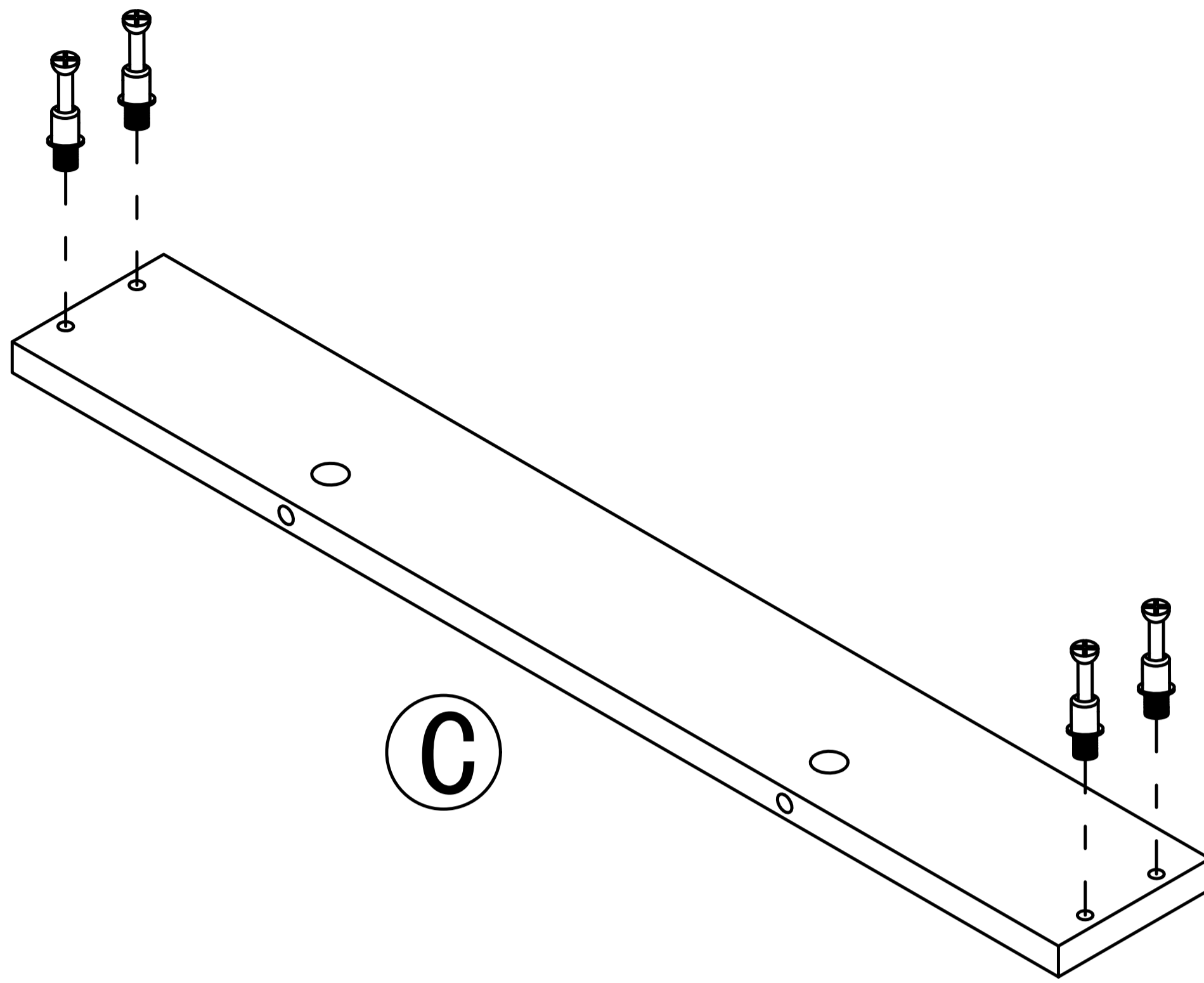
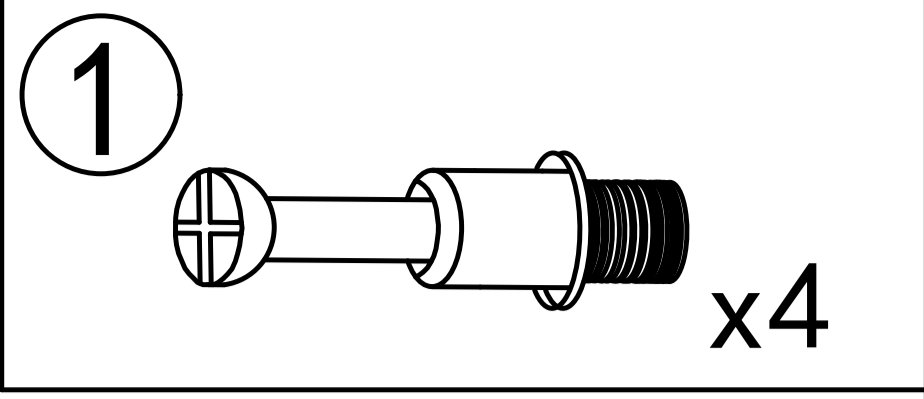
Disassemble along the direction of "-" sign

Step 1



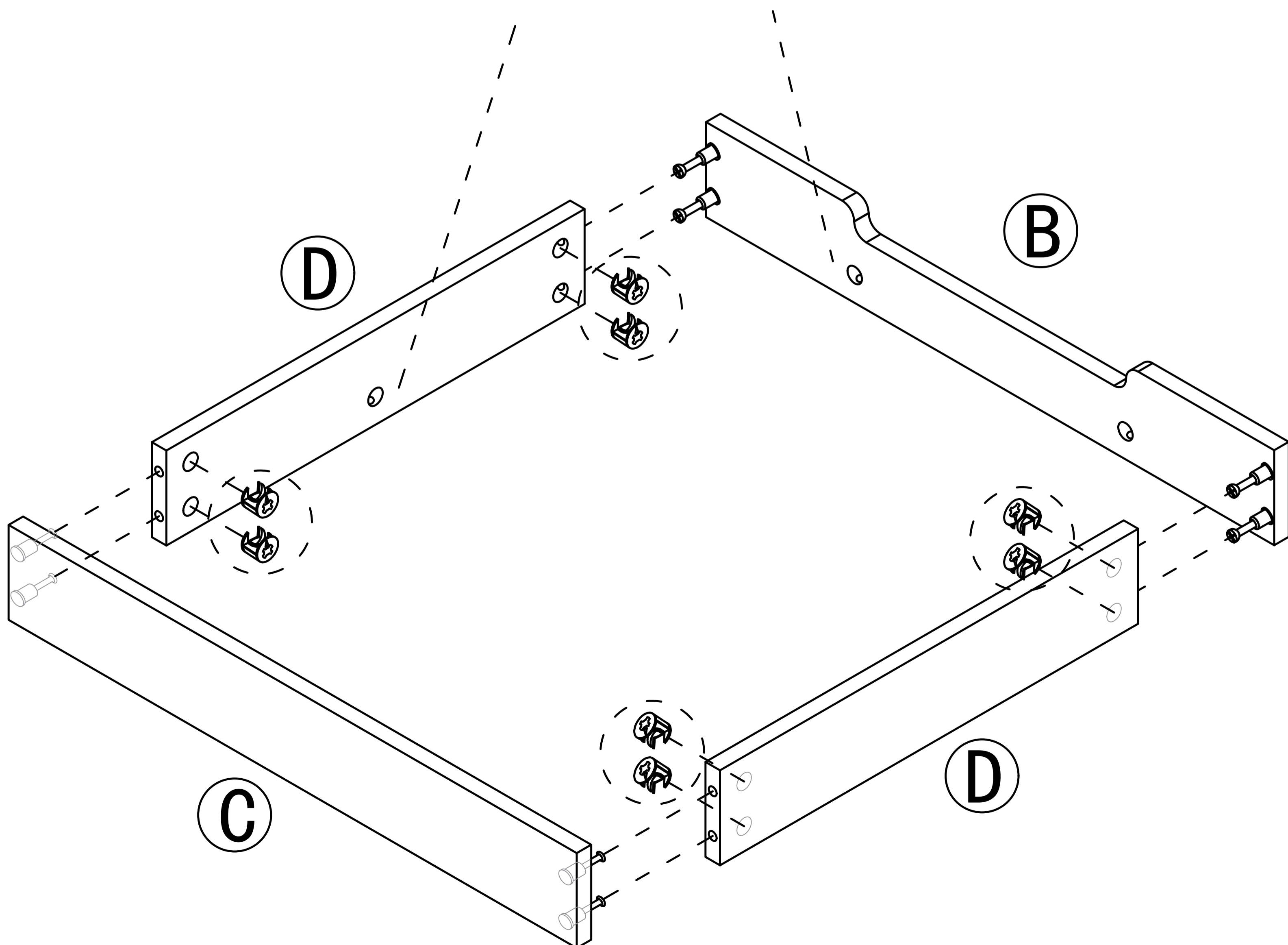
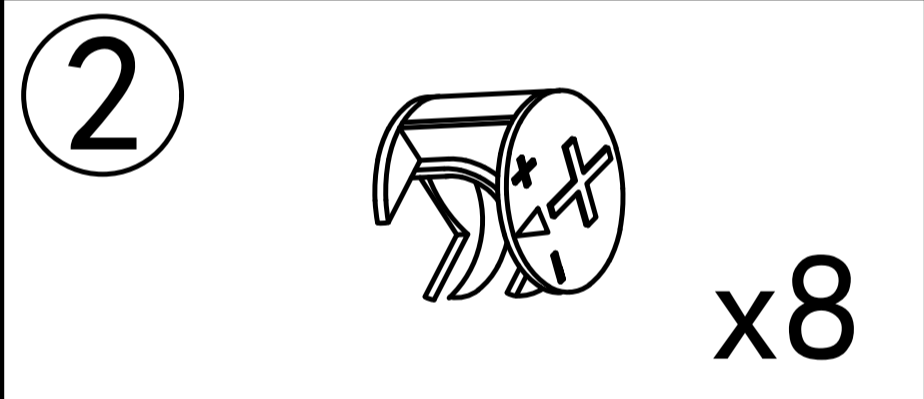
4

Step 2

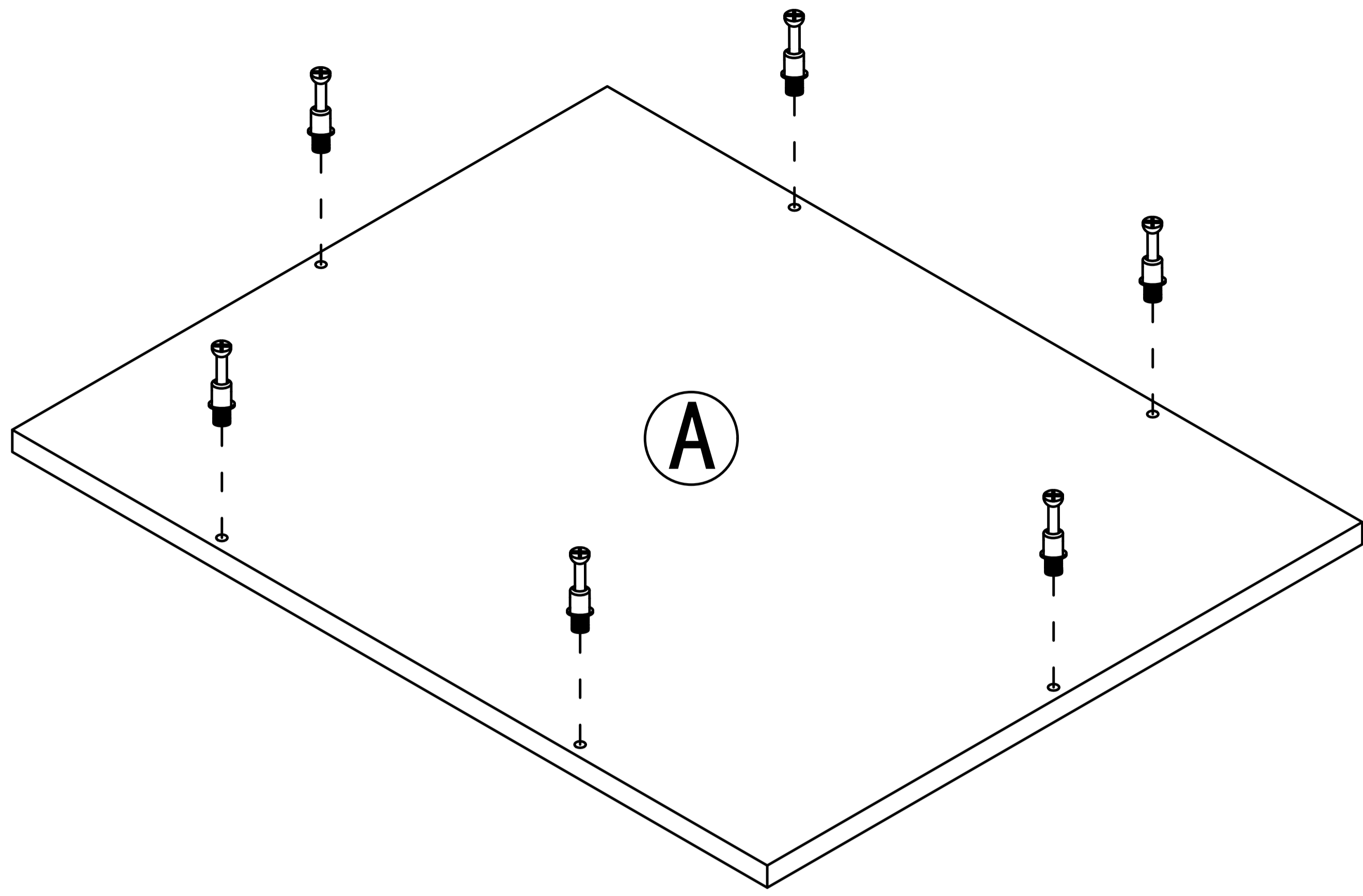
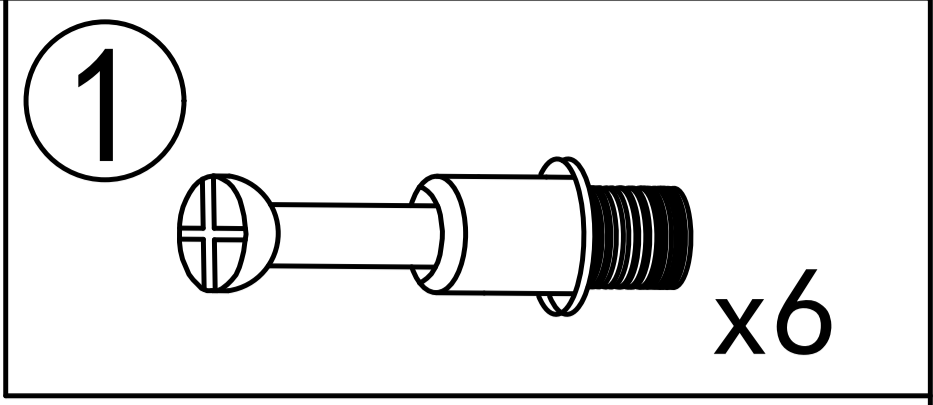


Step 3

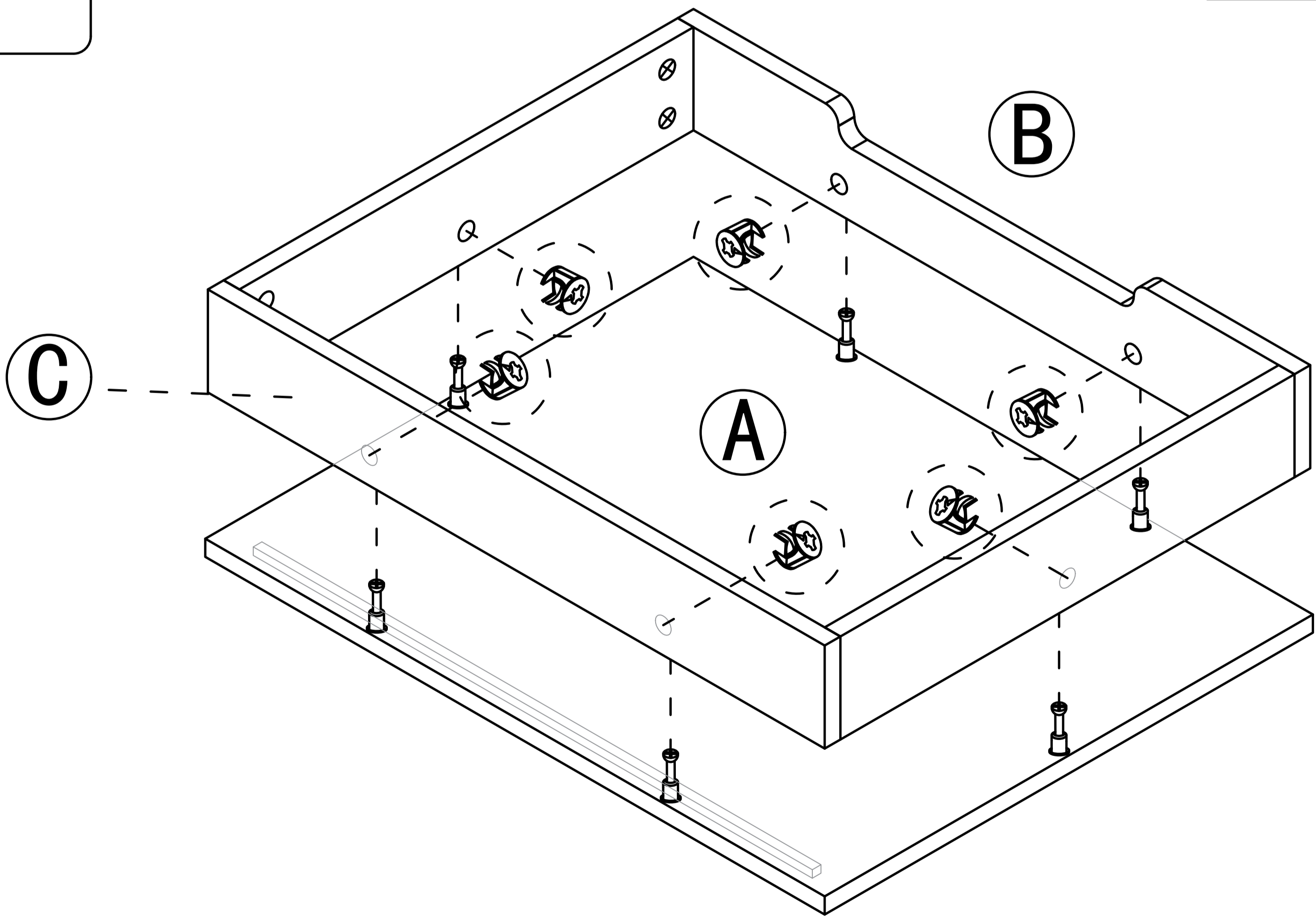
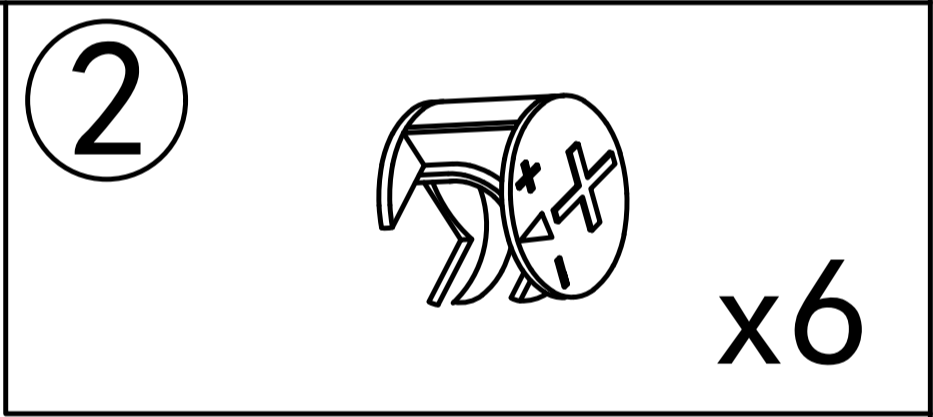
Attention: The holes on all four boards are facing downwards



Step 4

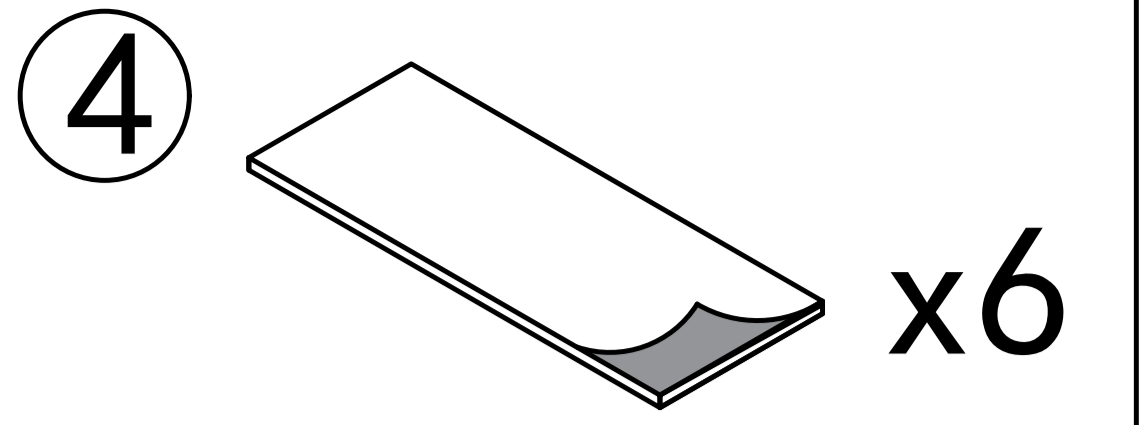


Step 5

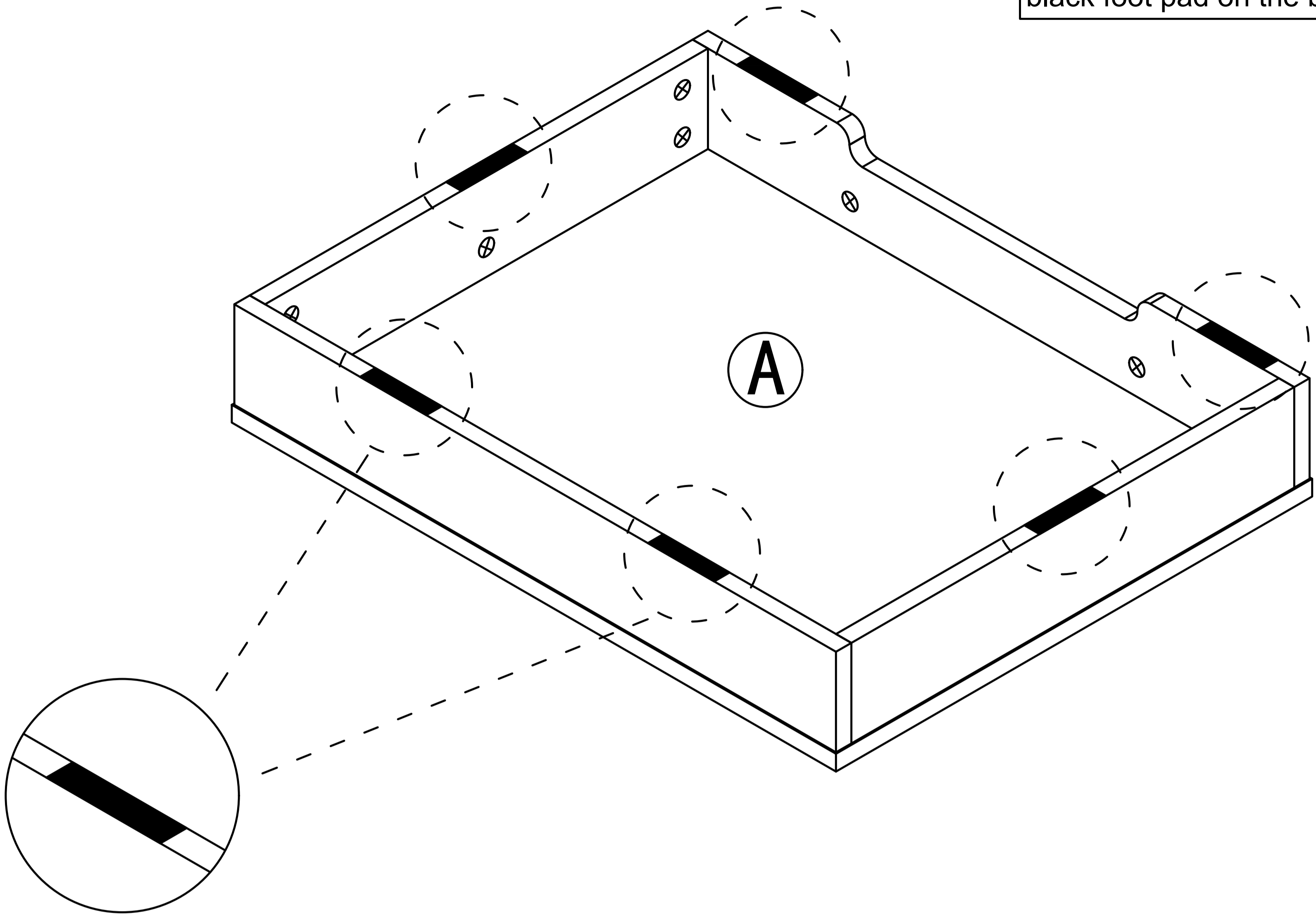


Attention: There is a groove behind the C board in the position where the C board is installed

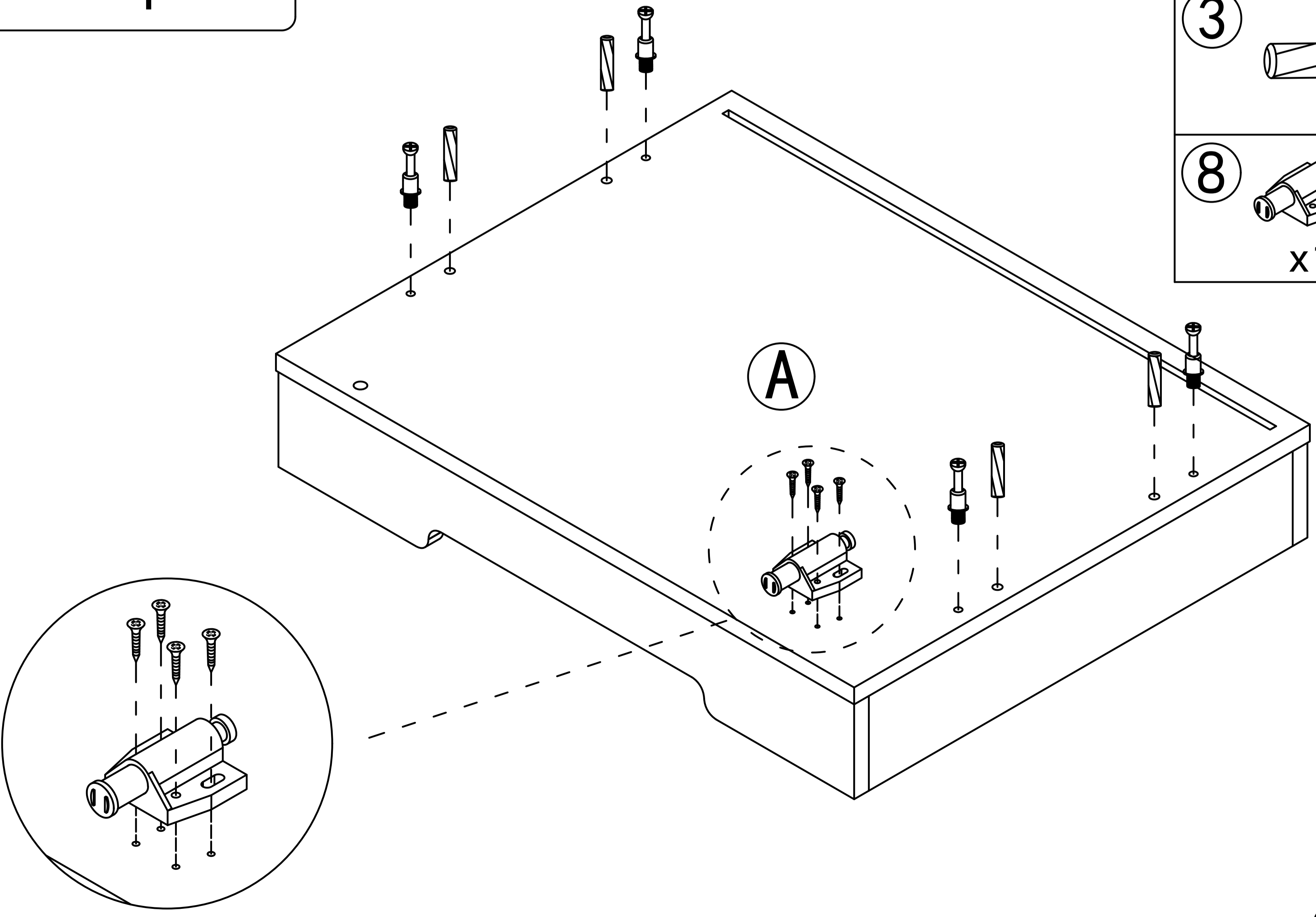
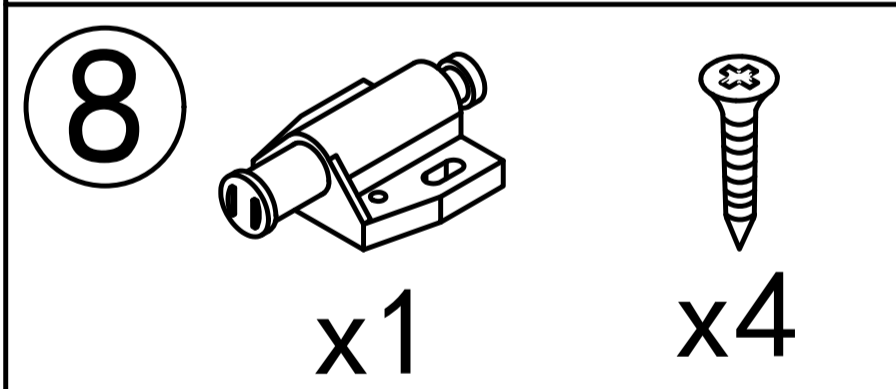
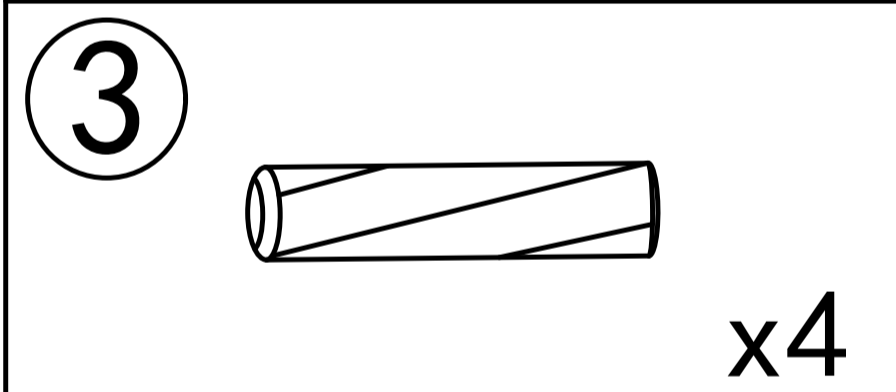
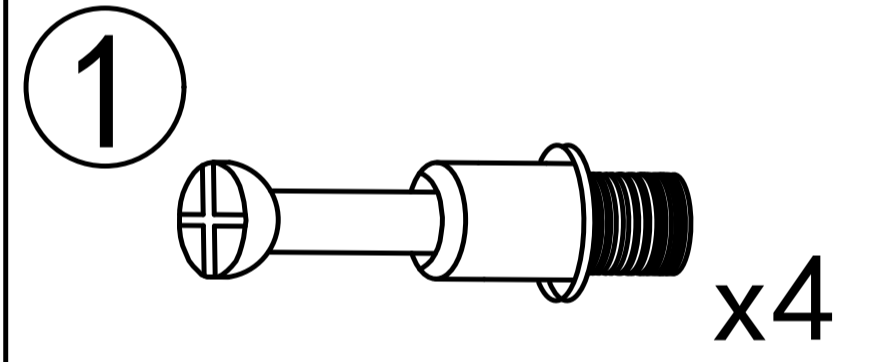
# Step 6



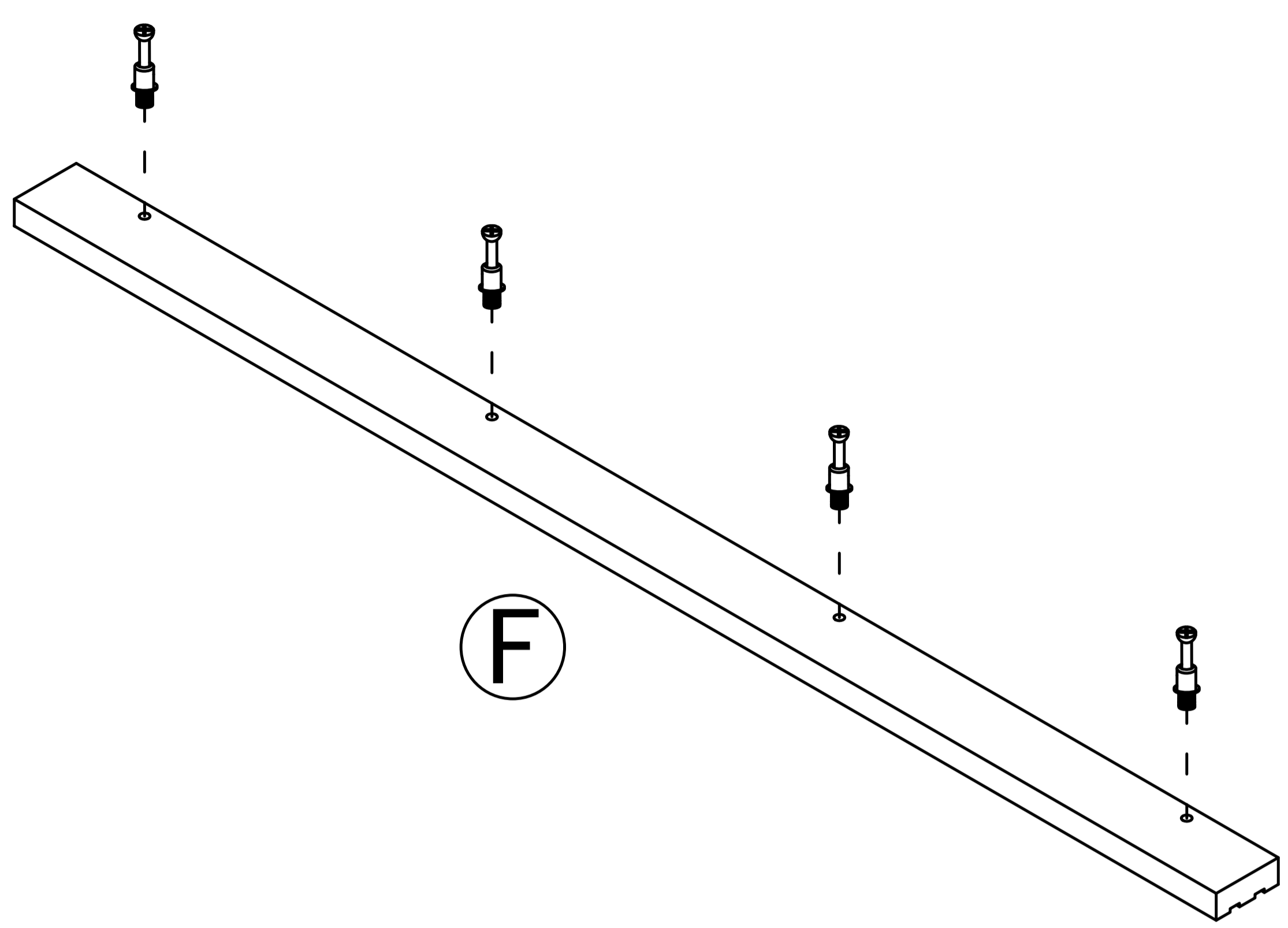
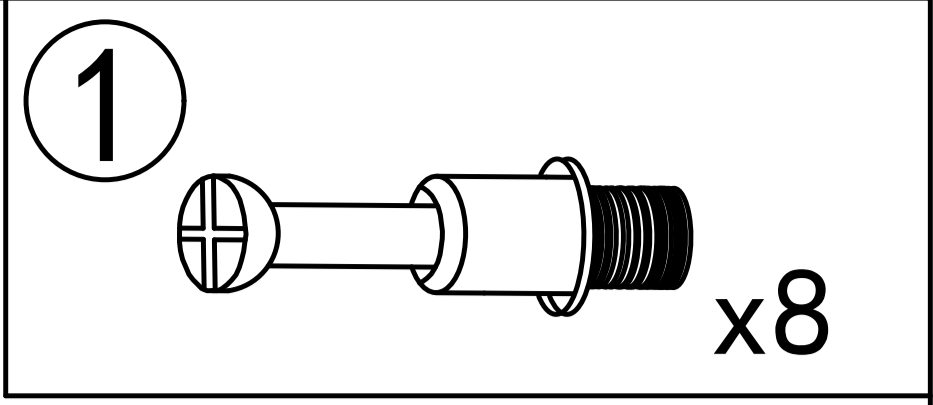
Tear off release paper and stick the black foot pad on the board



# Step 7

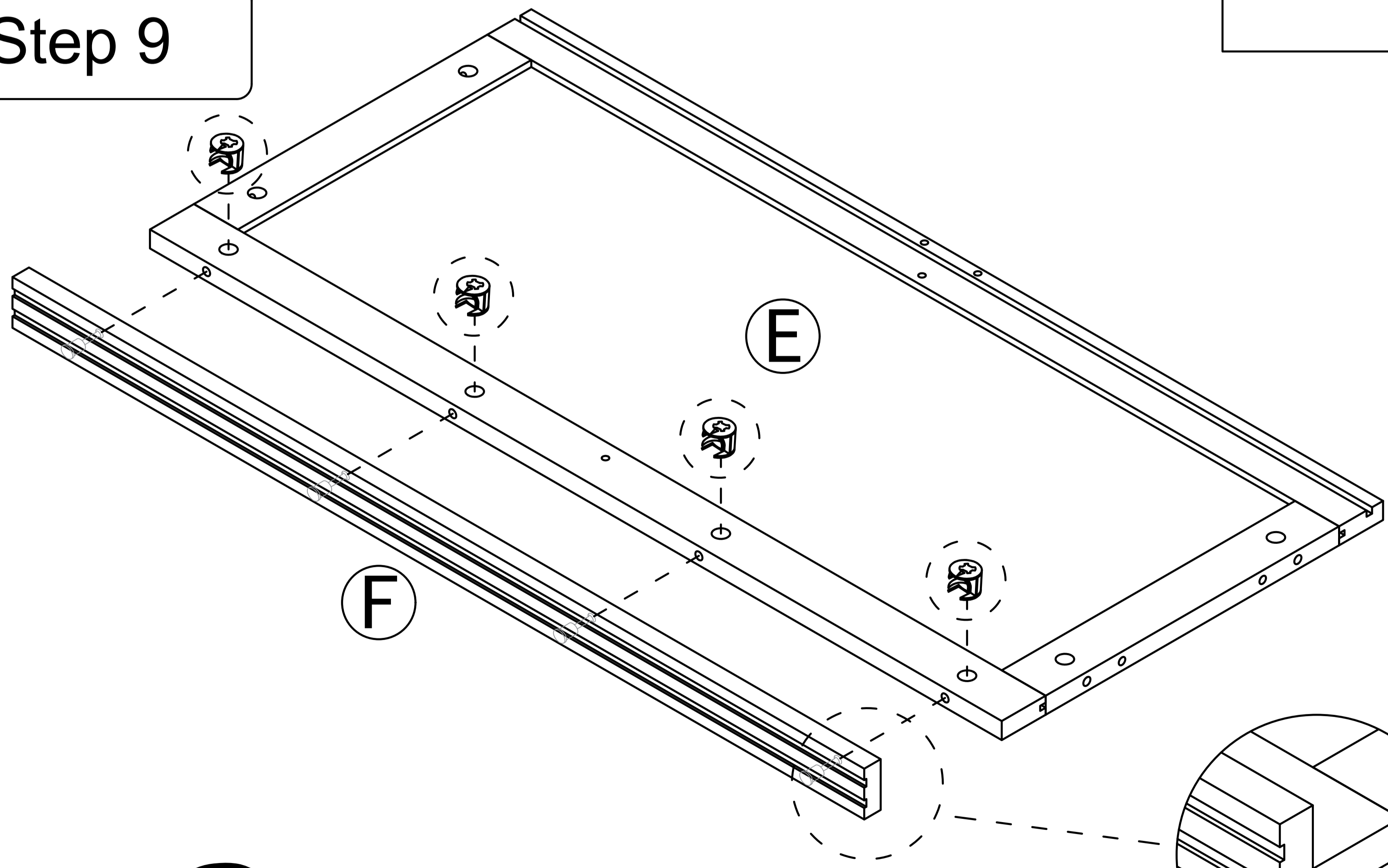
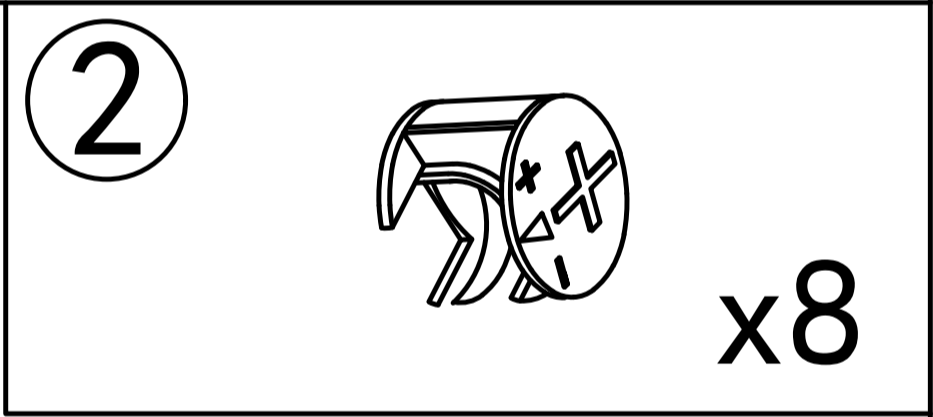


Step 8

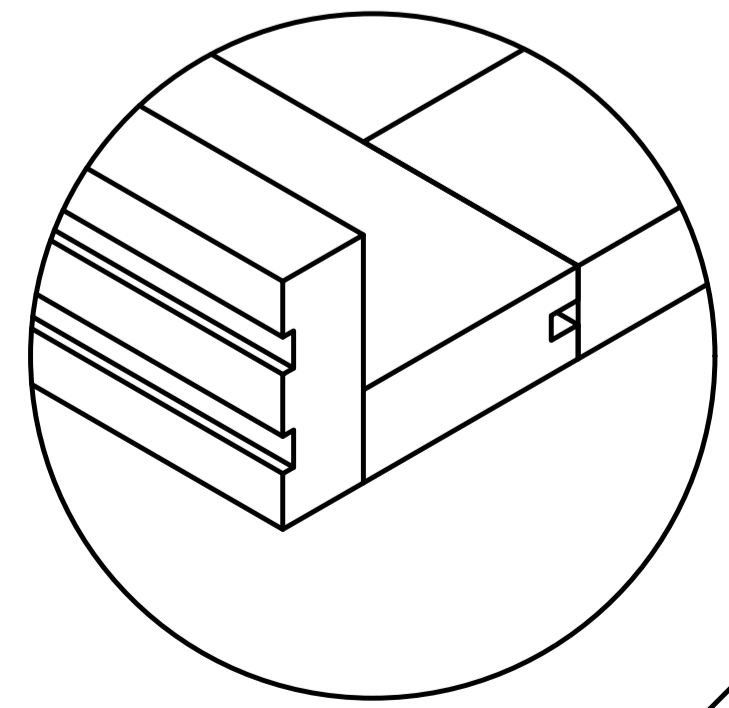


x2

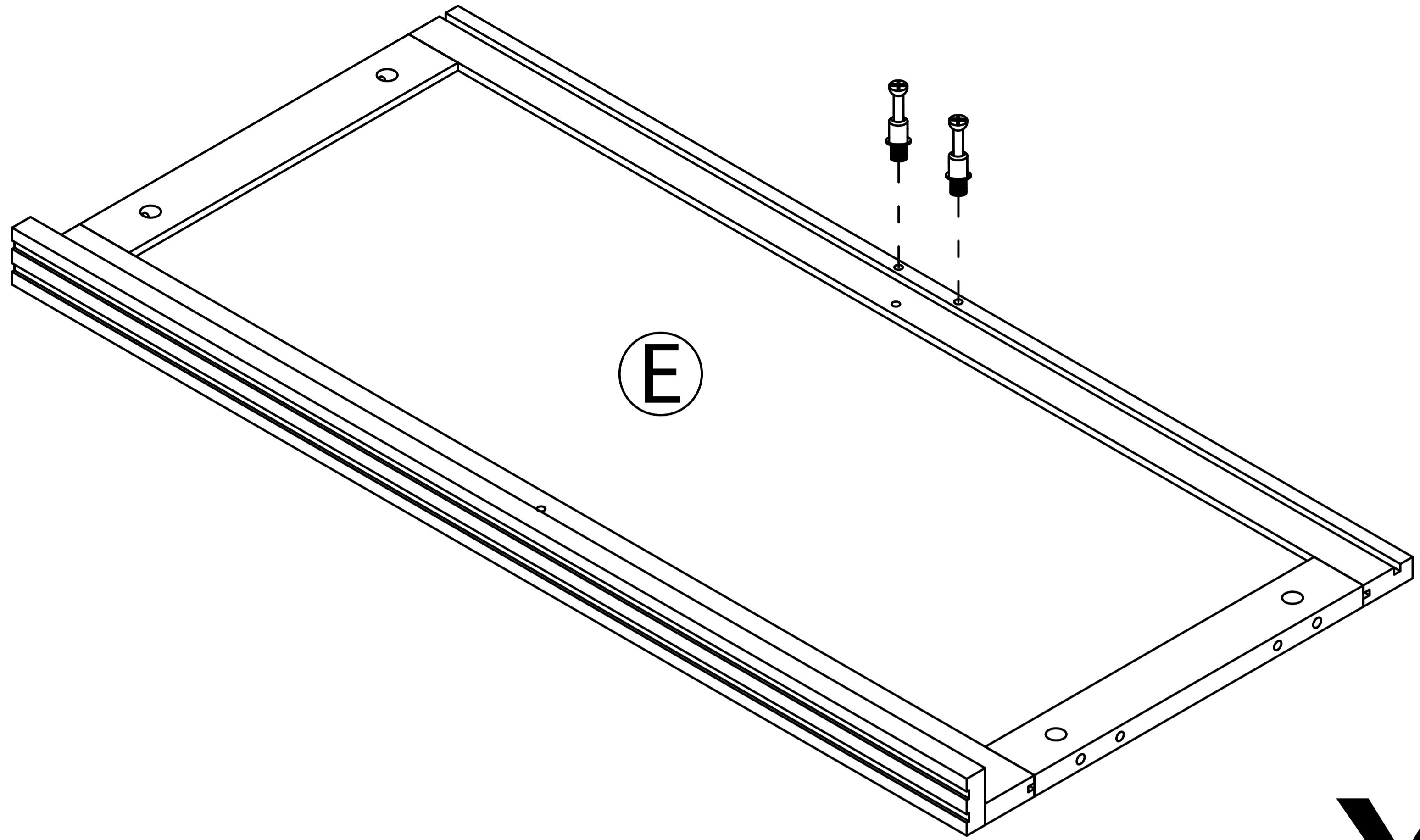
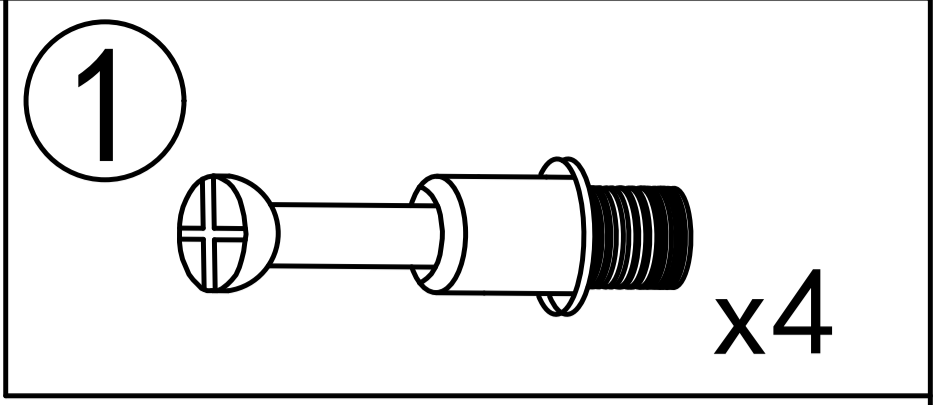
Step 9



x2

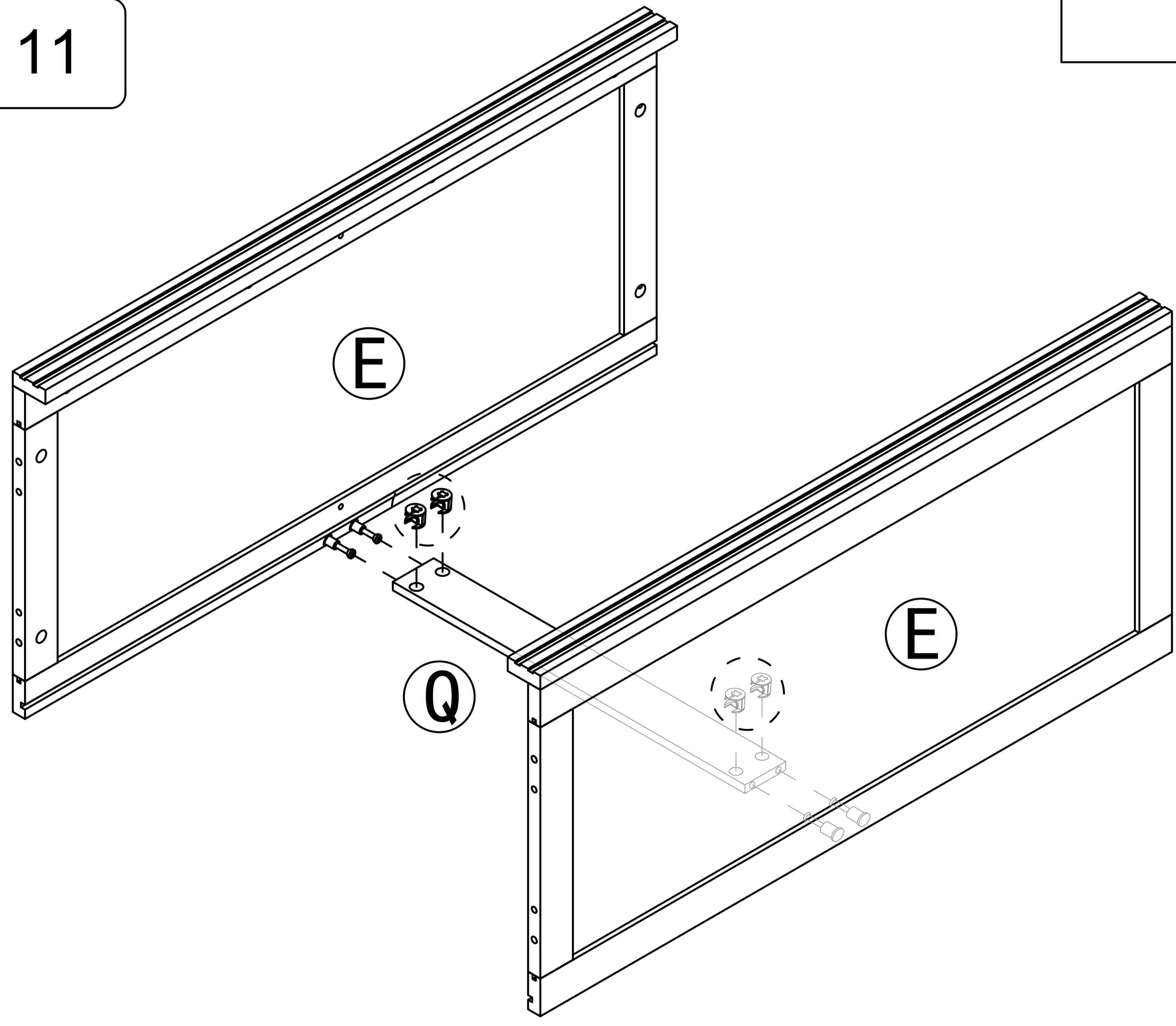
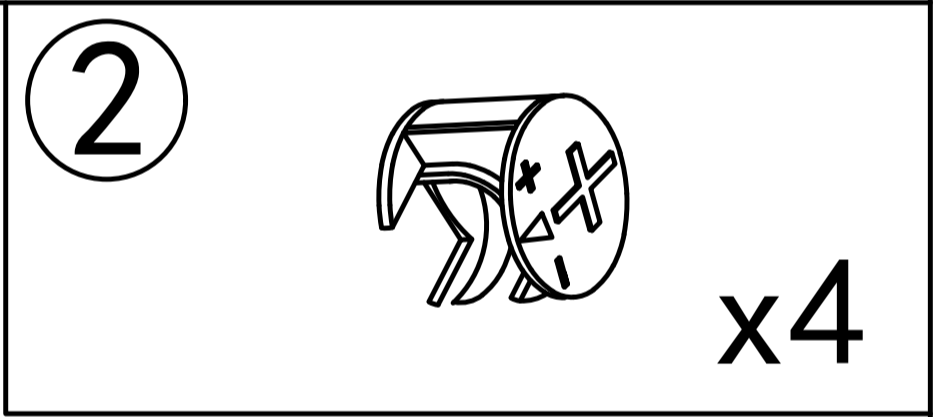


Step 10



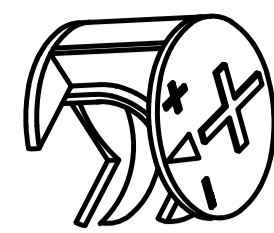
x2

Step 11

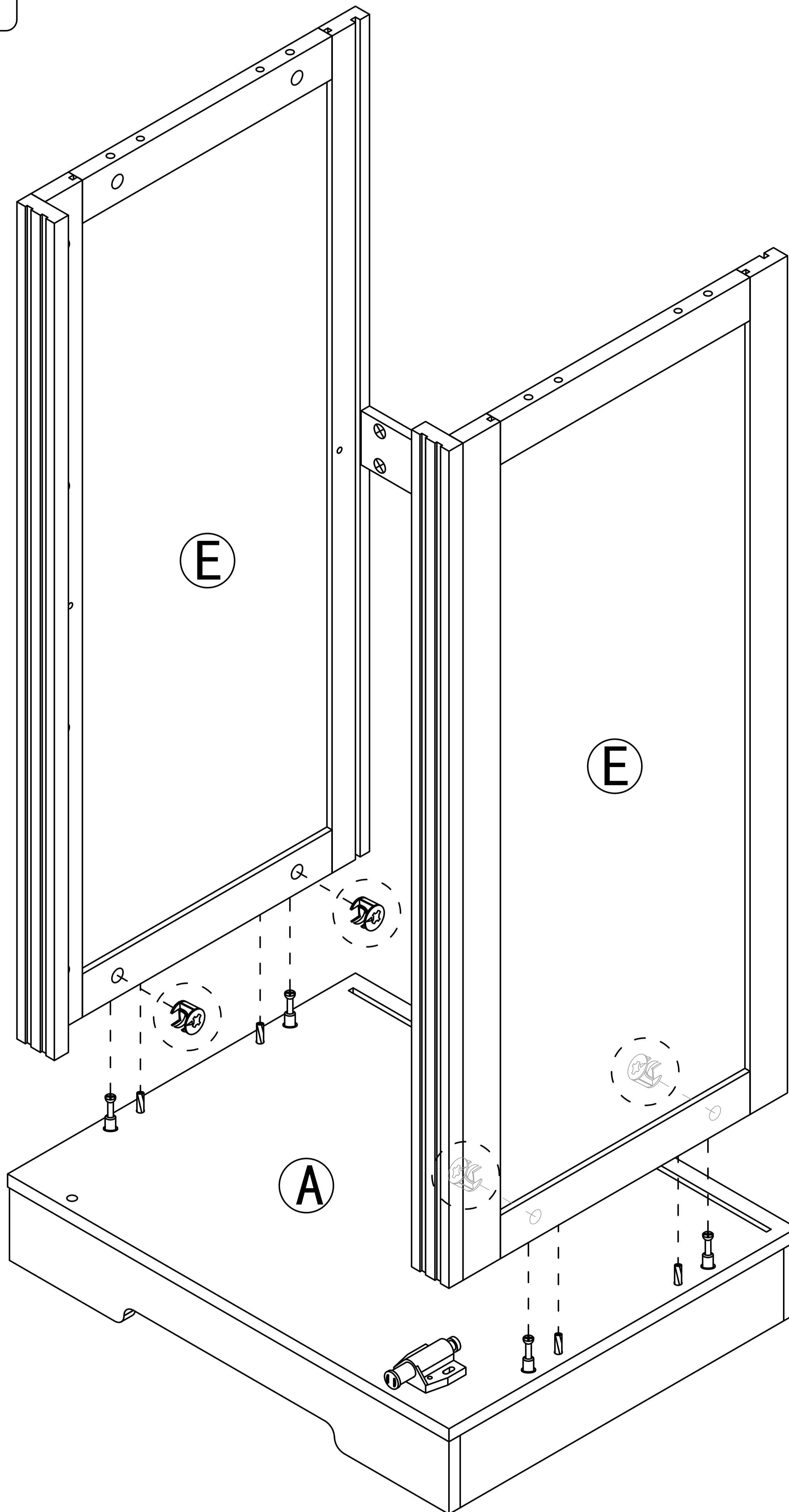


Step 12

2


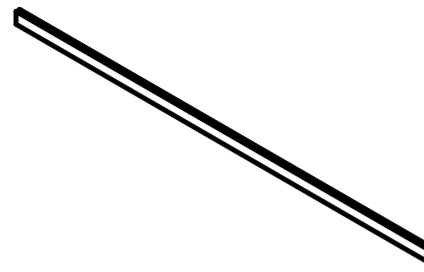


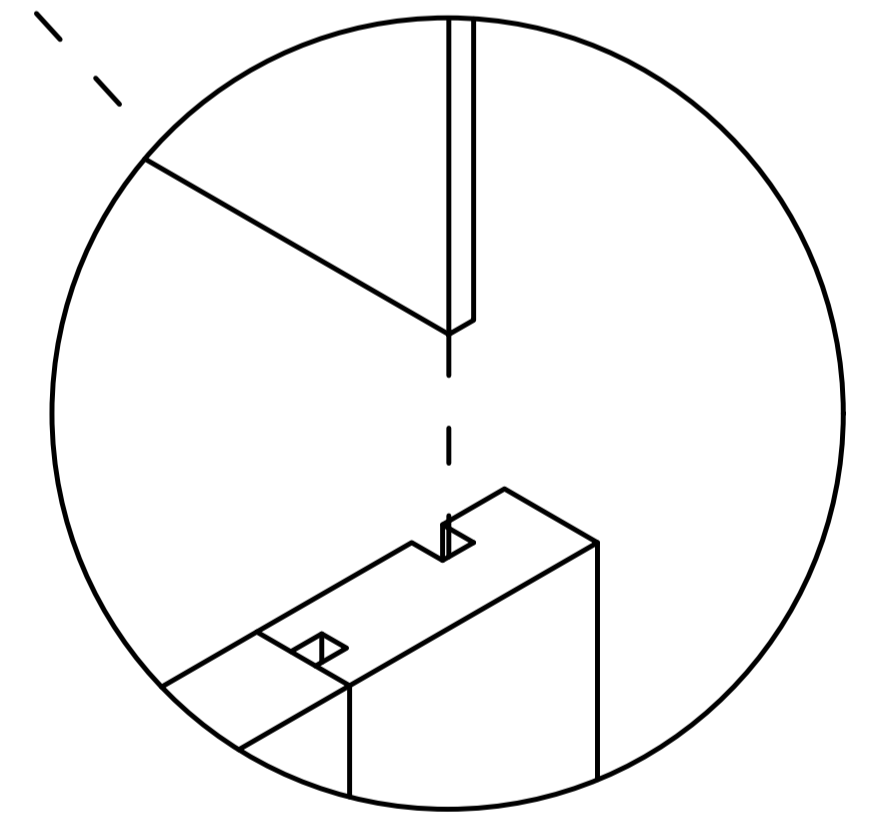
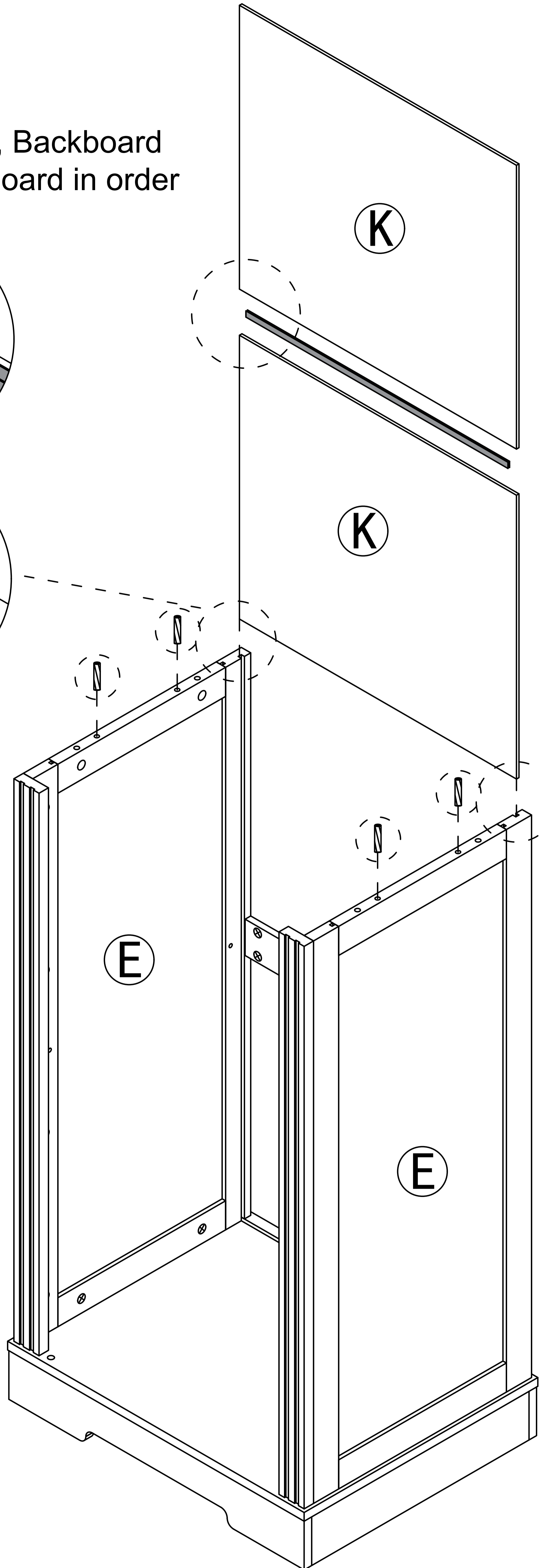
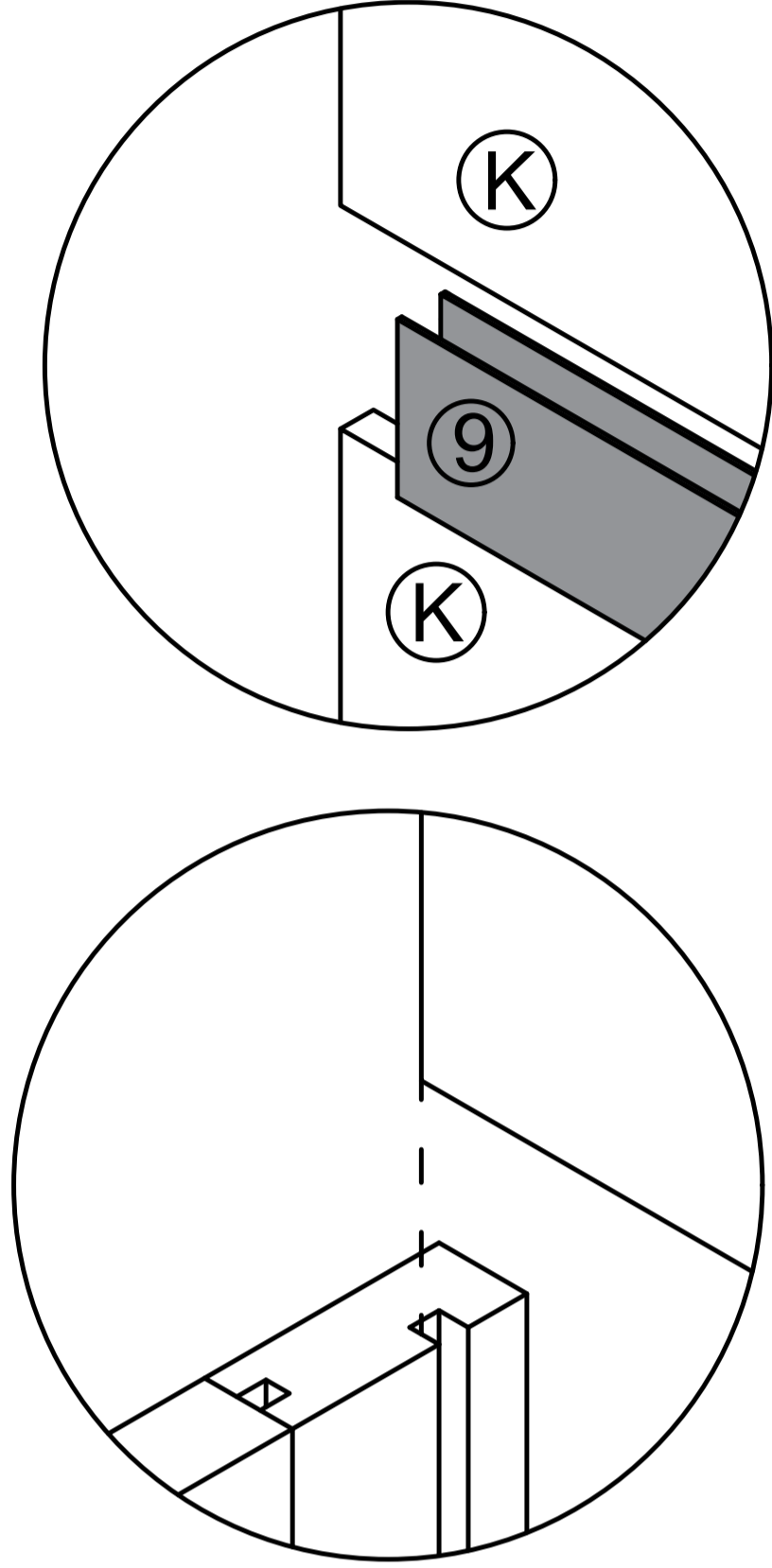
x4



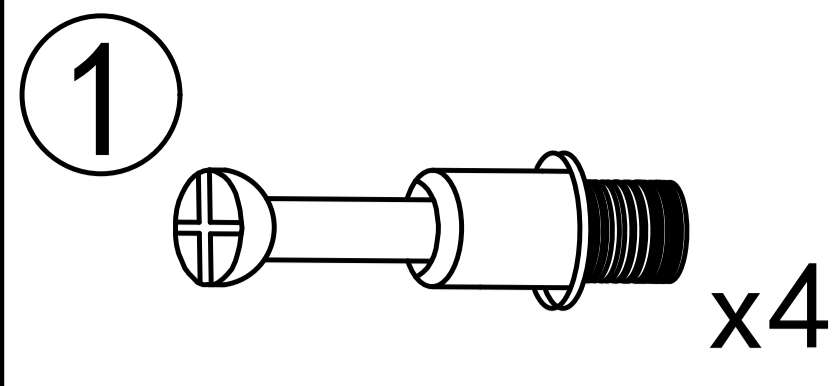
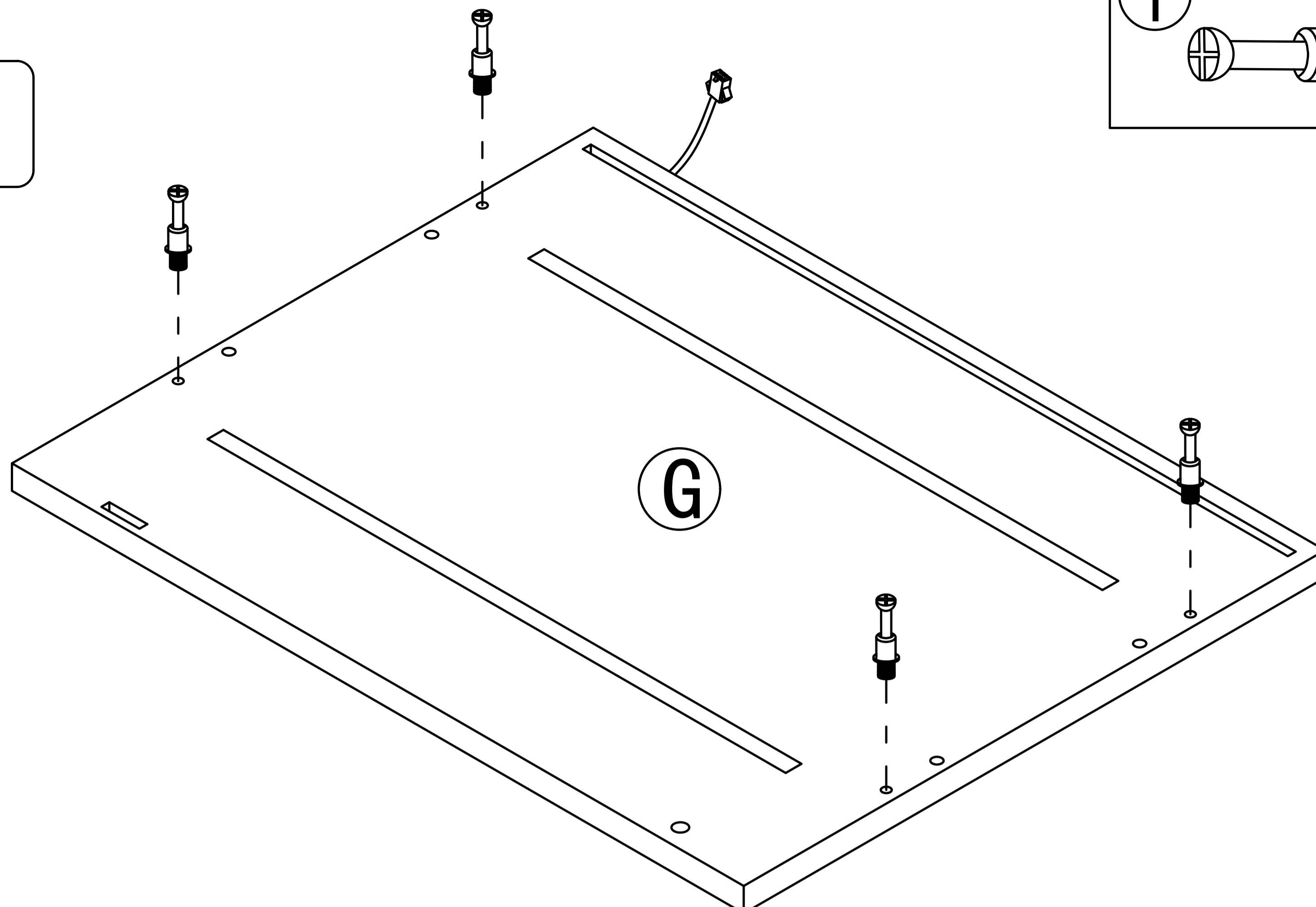
# Step 13

Place the "K" board, Backboard card strip, and "K" board in order

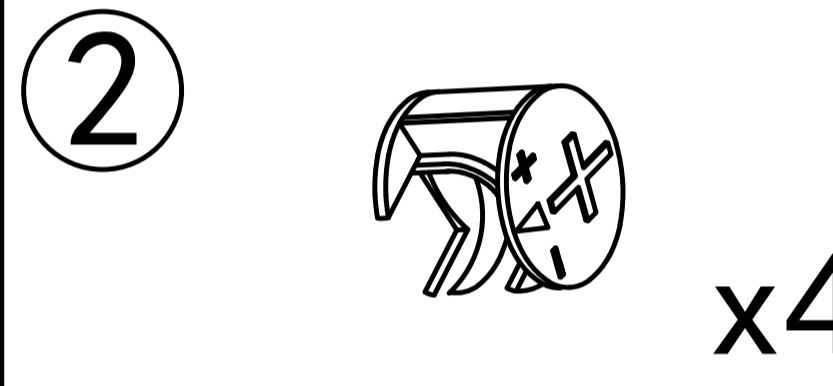
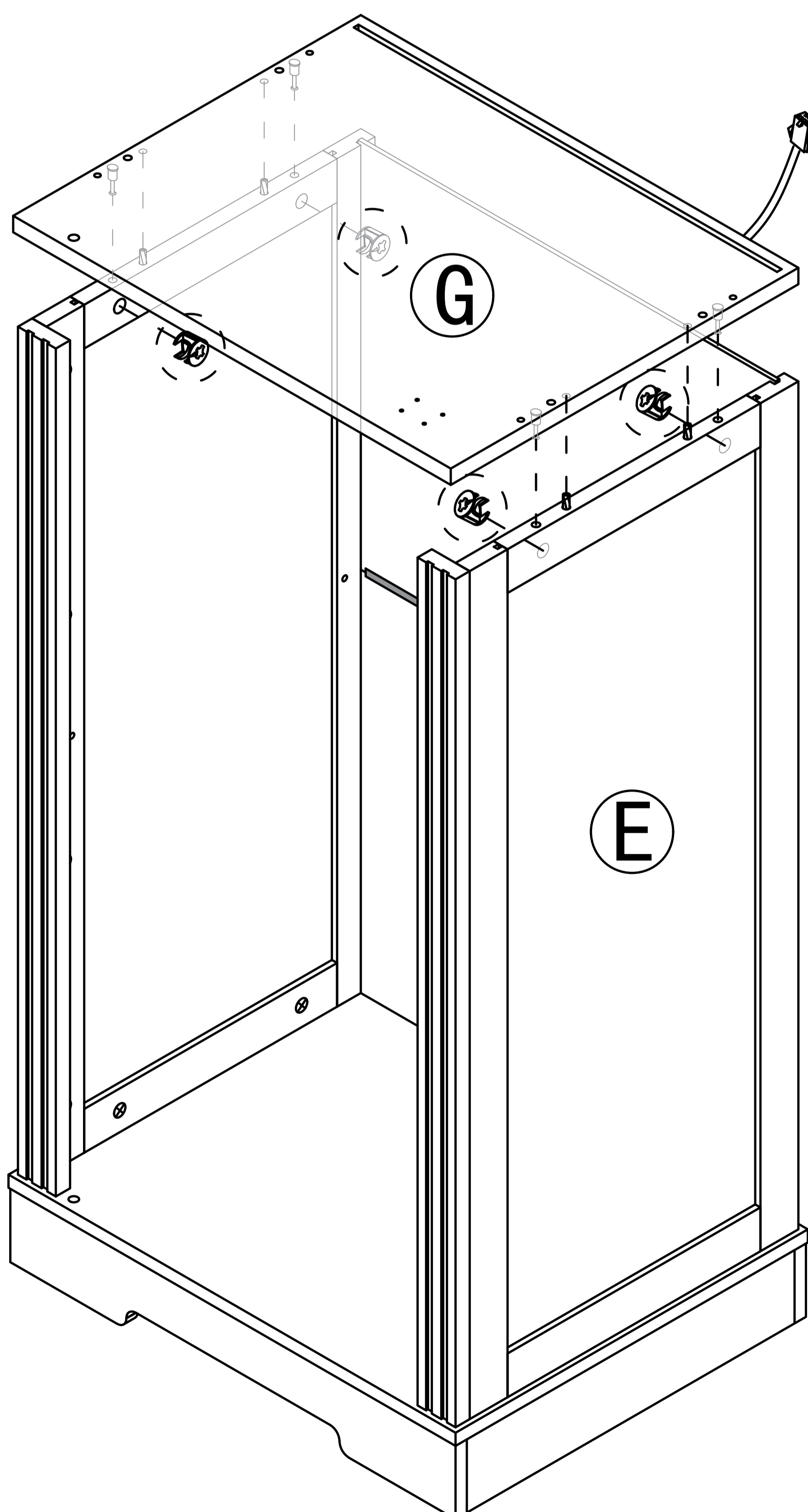
- ③  x4
- ⑨  x1



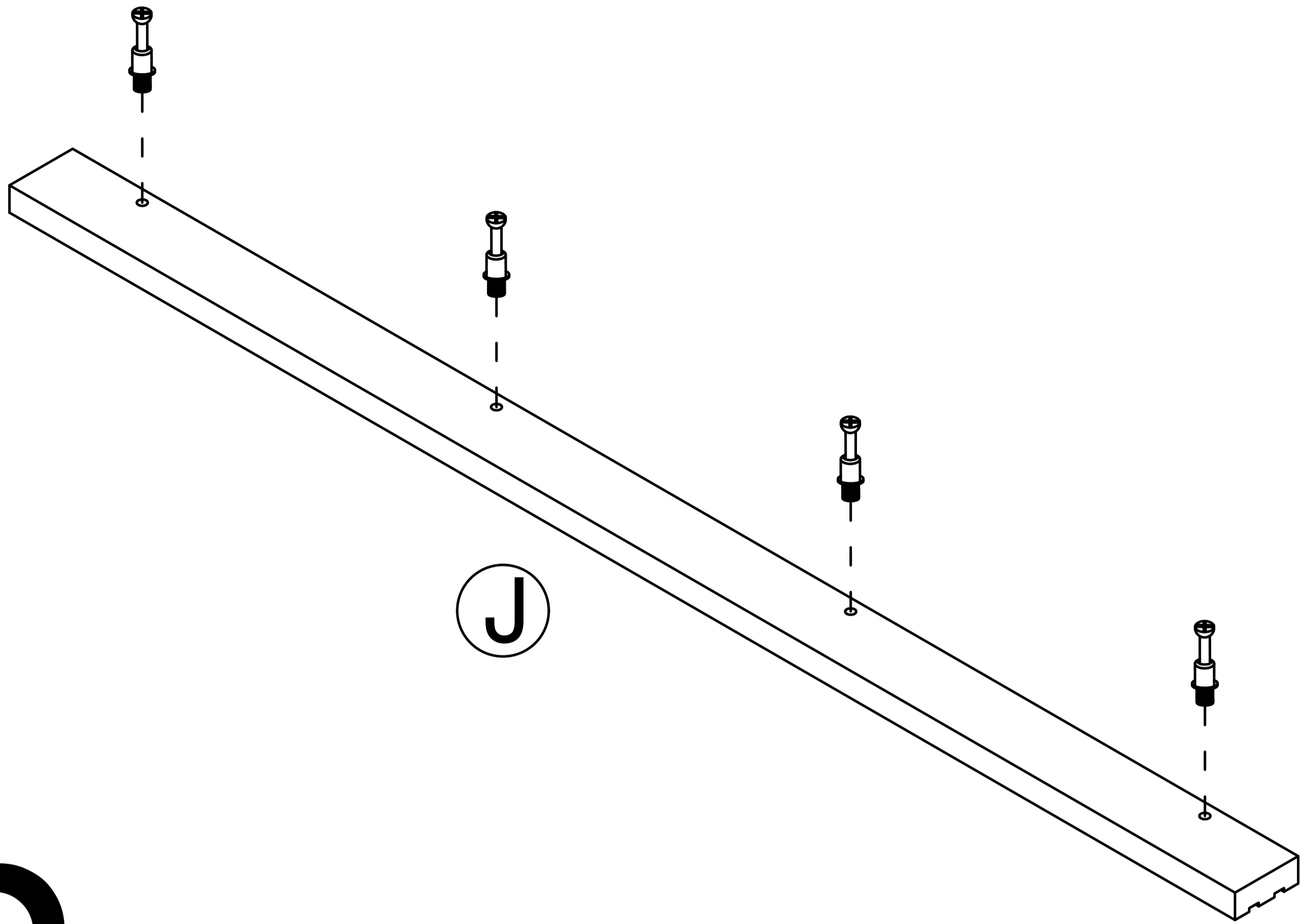
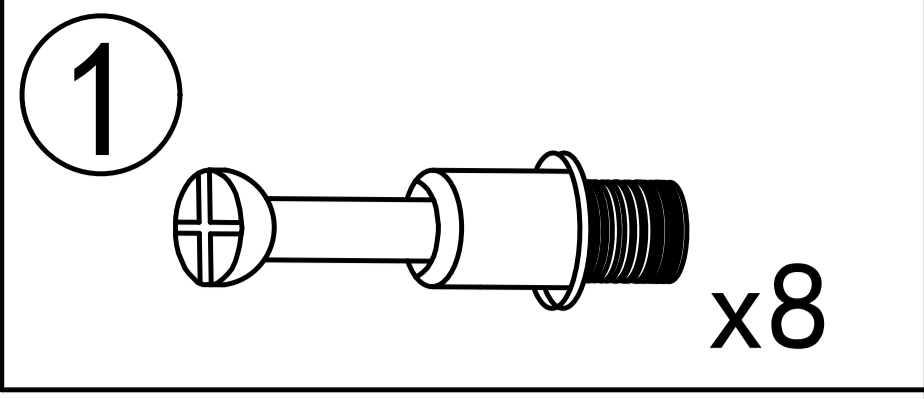
Step 14



Step 15

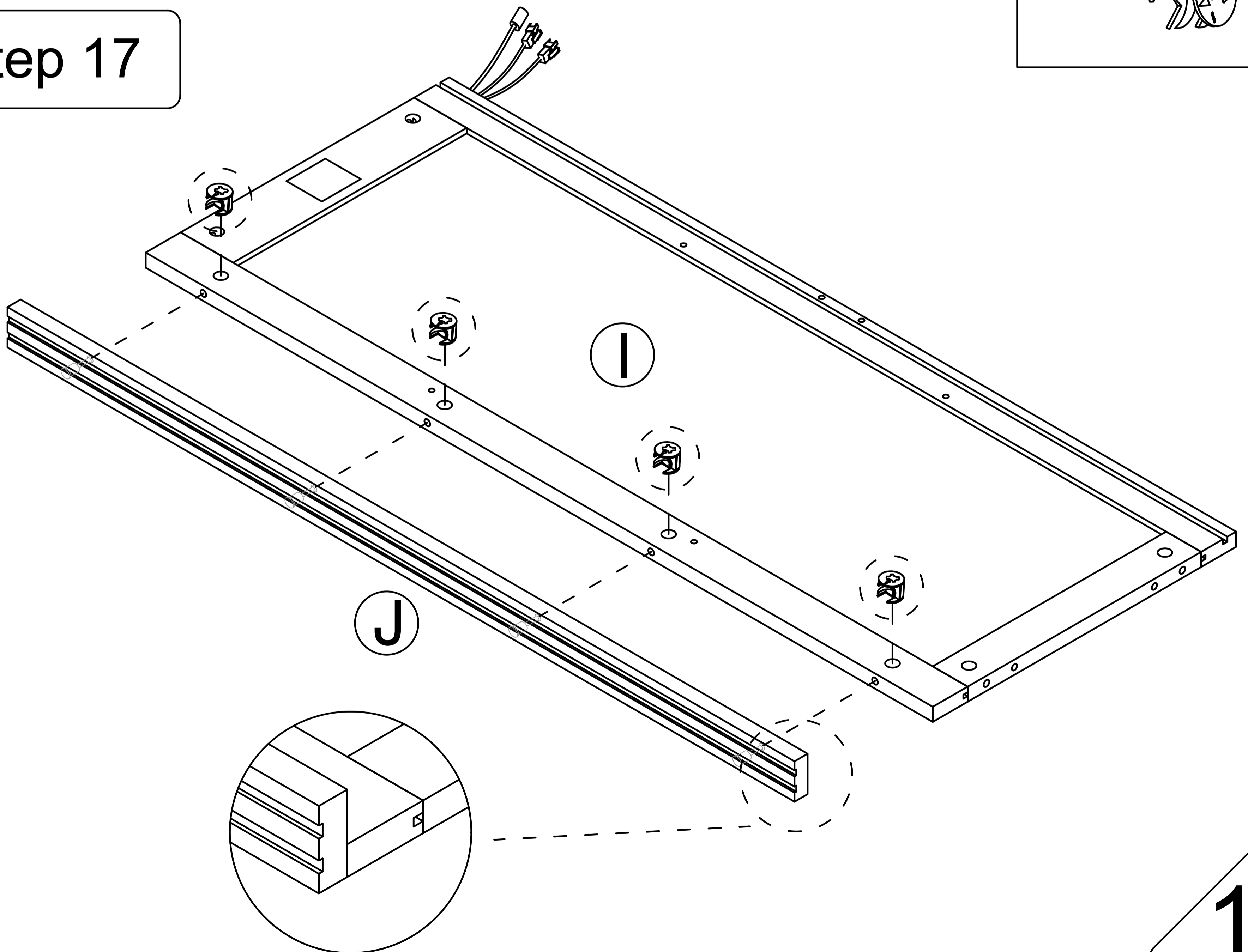
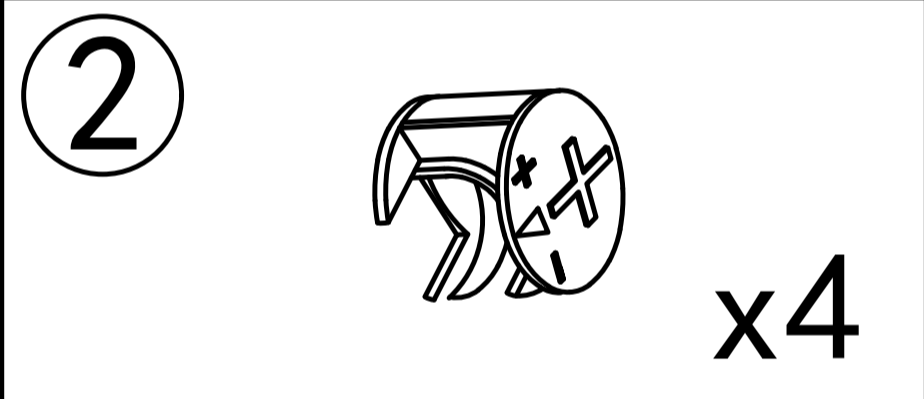


Step 16

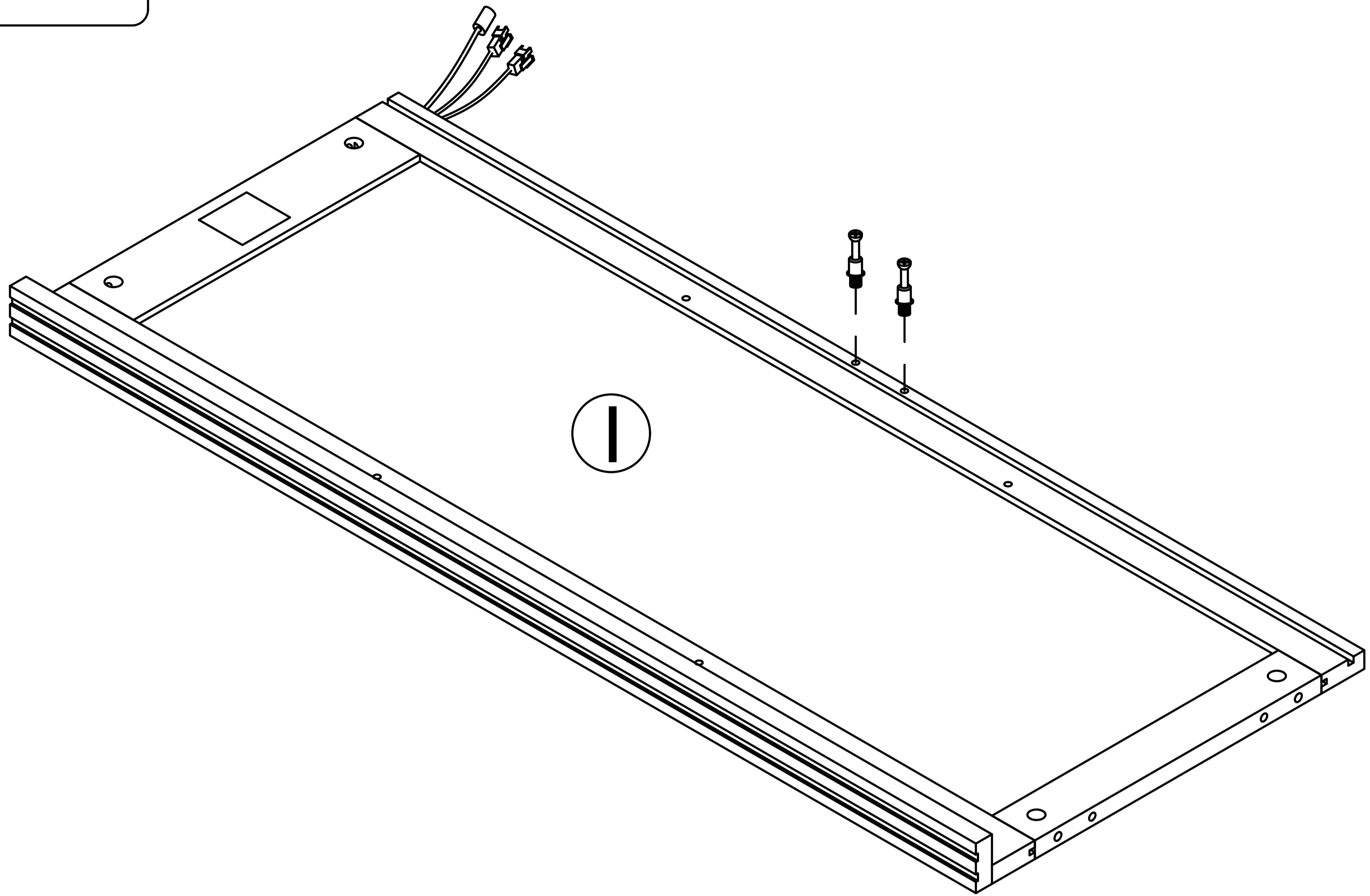
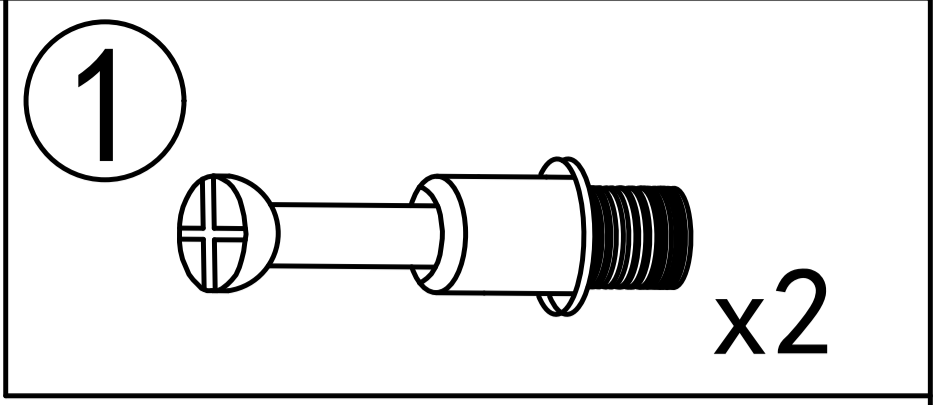


x2

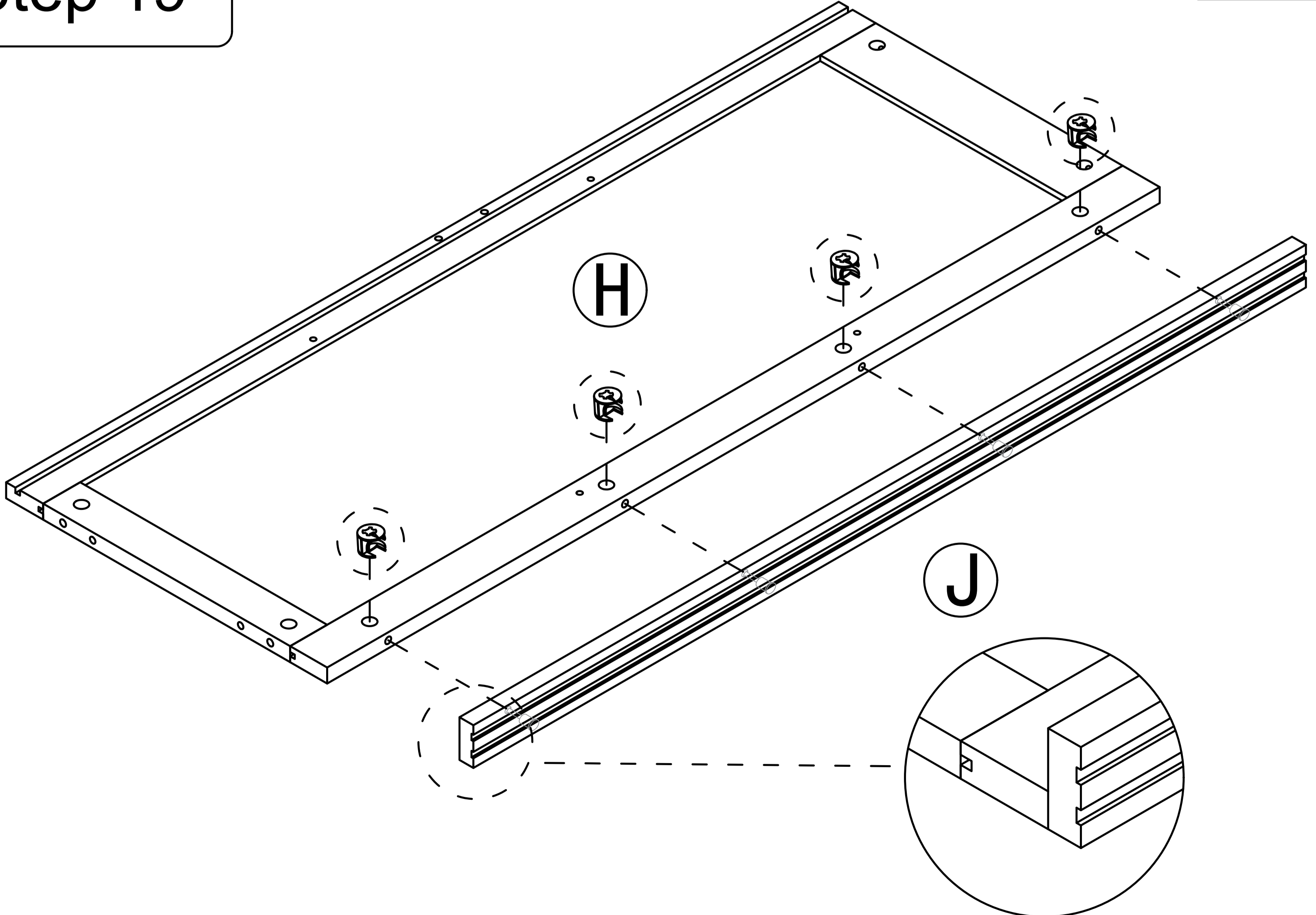
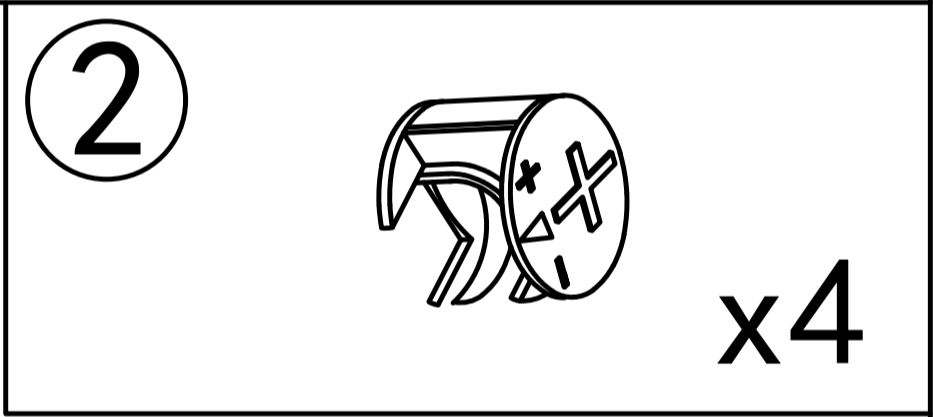
Step 17



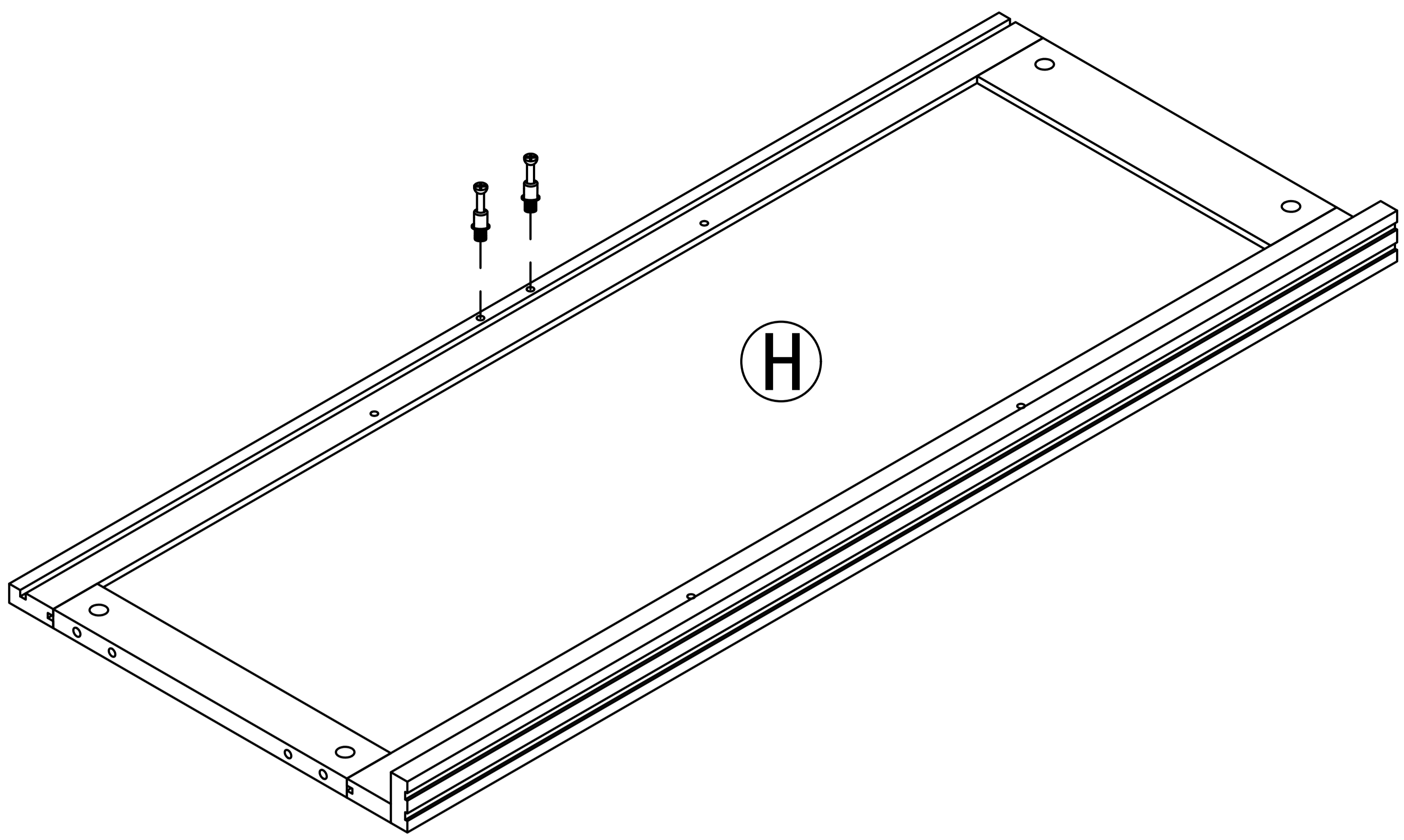
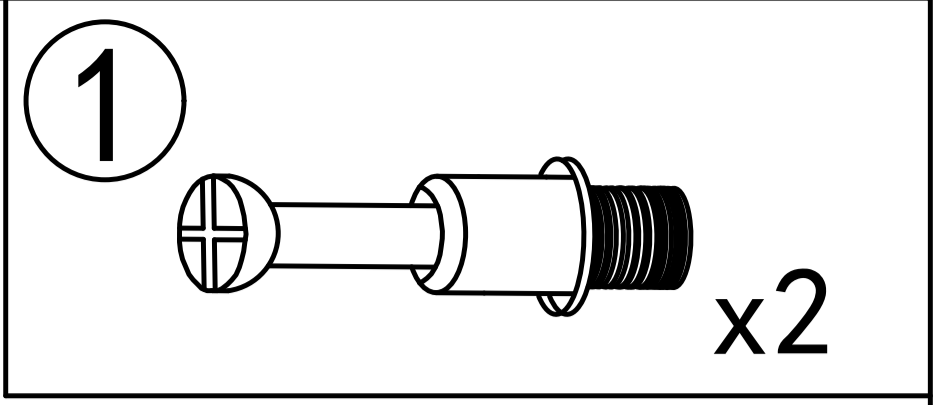
Step 18



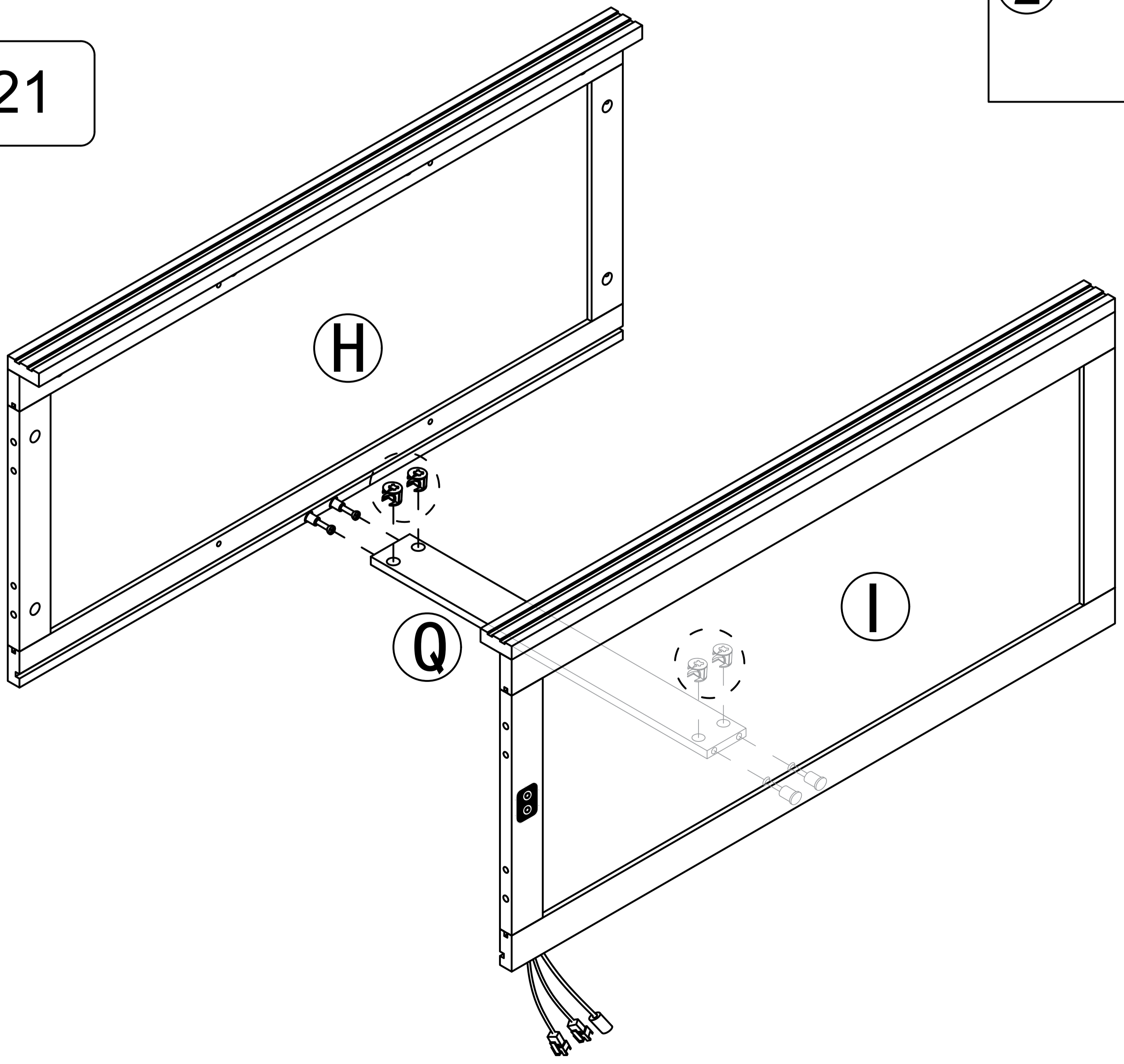
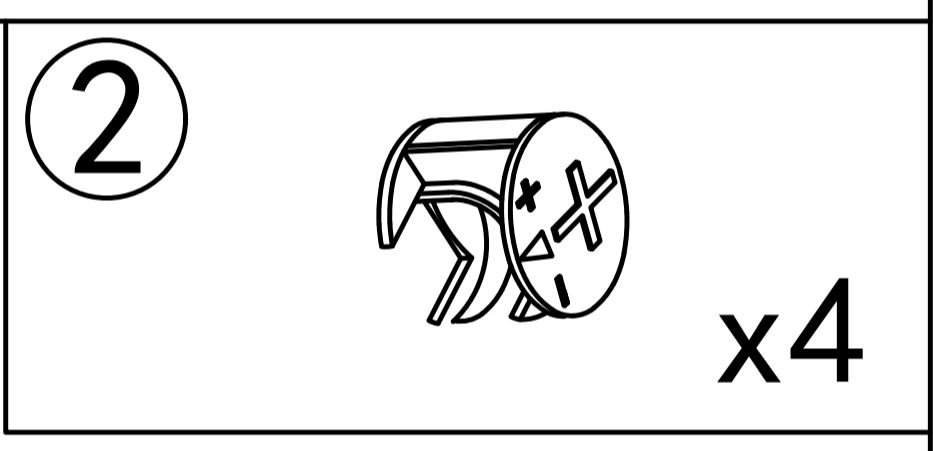
Step 19



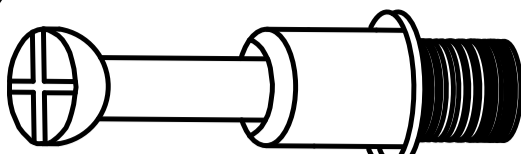

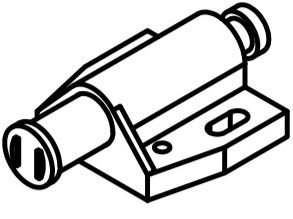
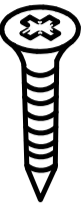
Step 20

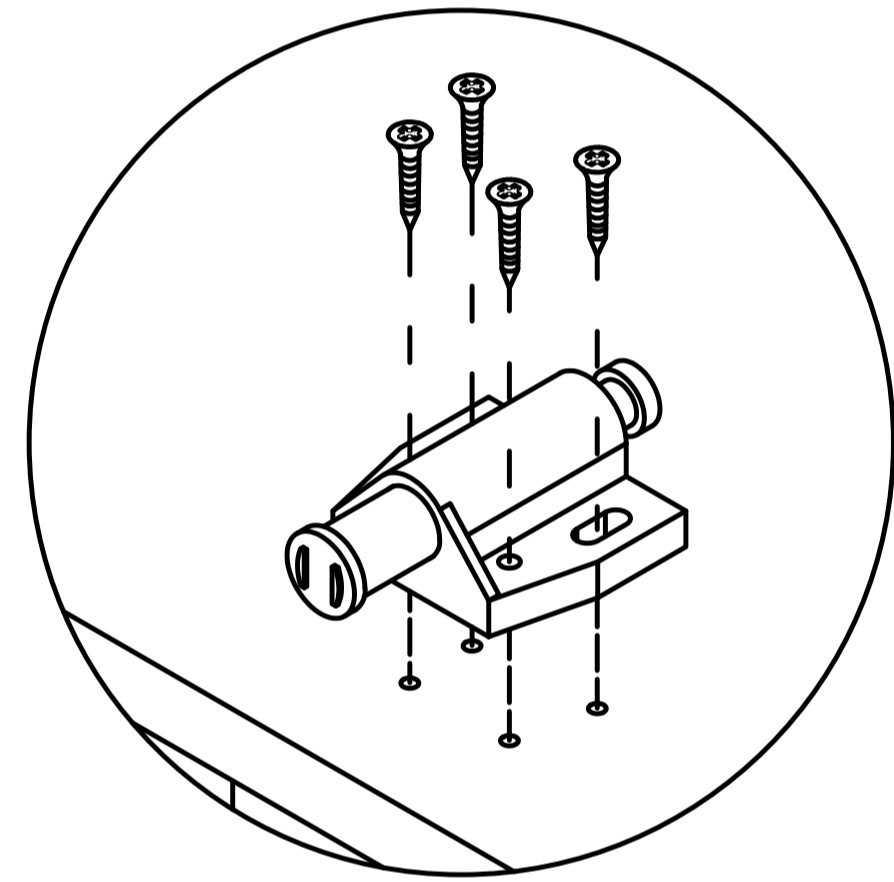
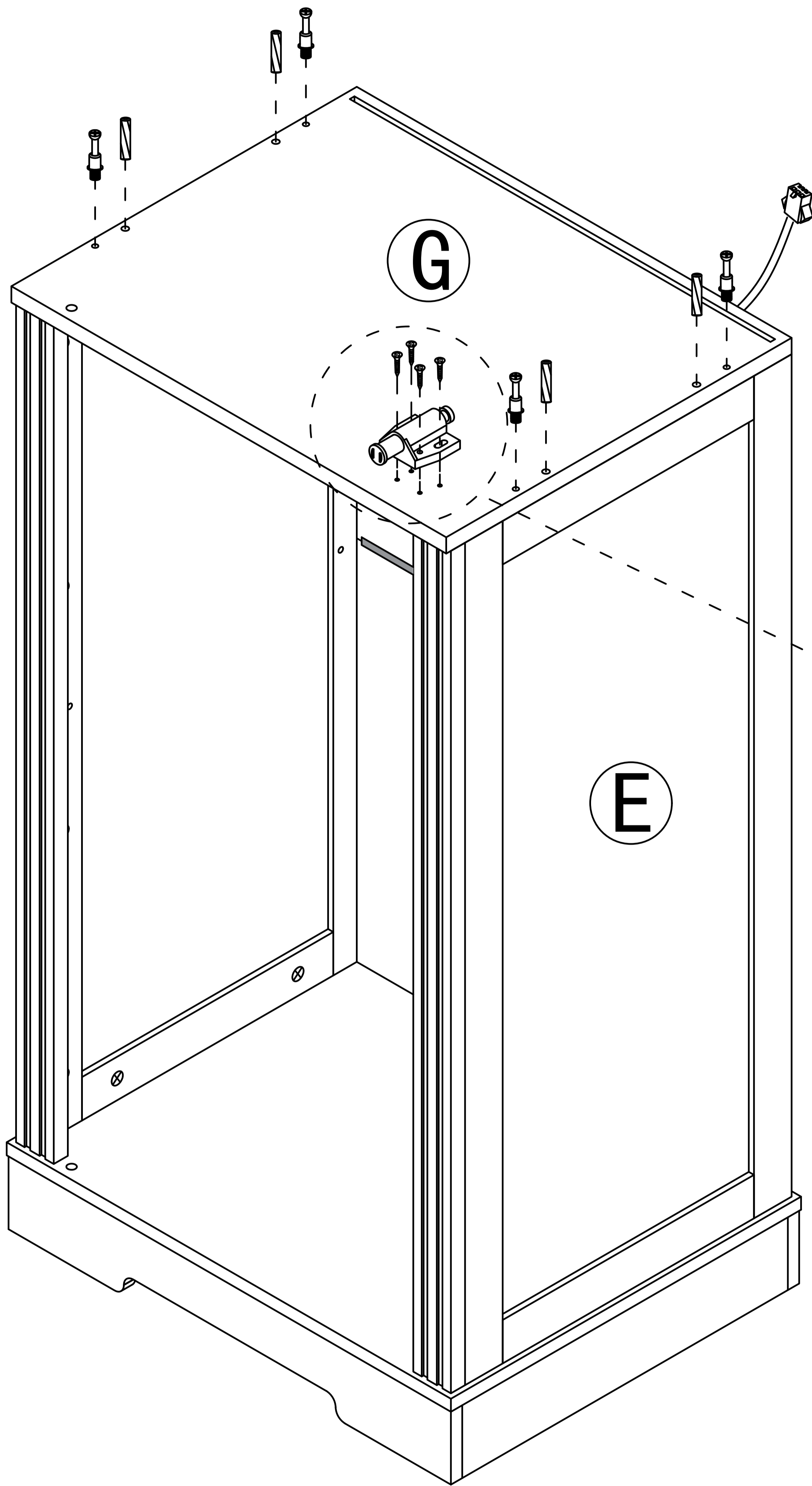


Step 21



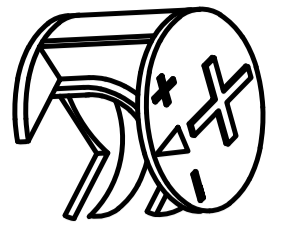
Step 22

- 1  x4
- 3  x4
- 8  x1  x4

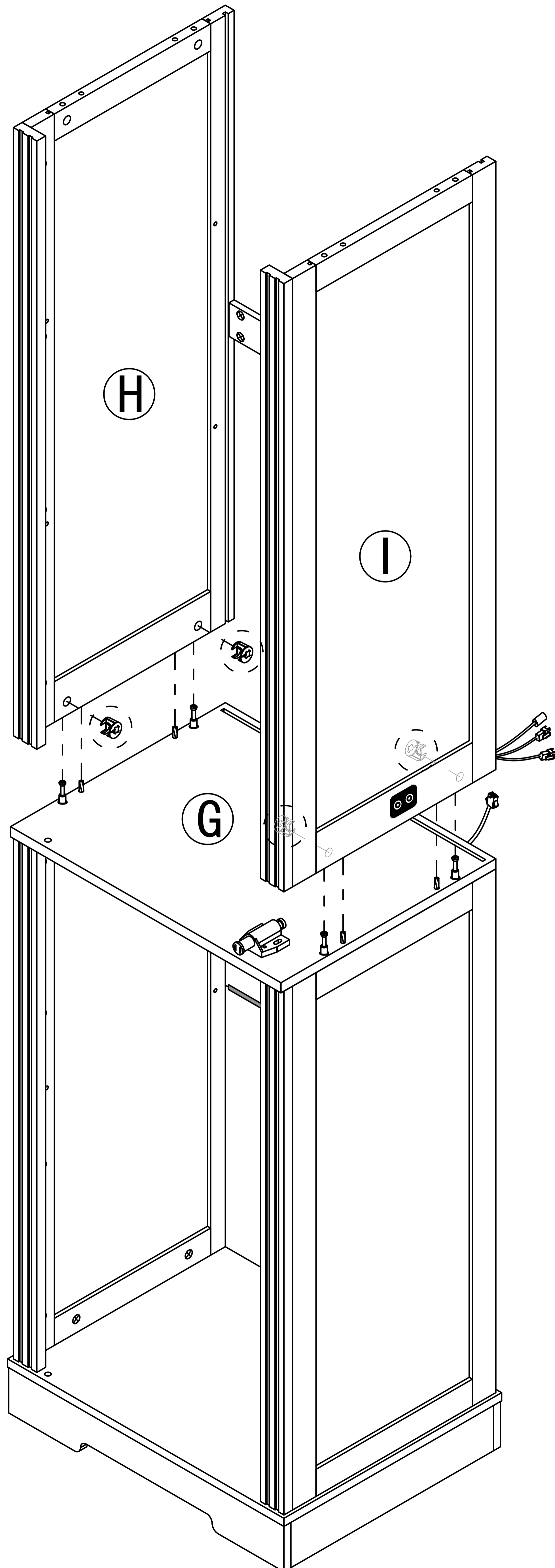


Step 23


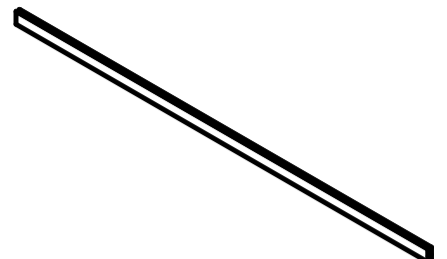
2

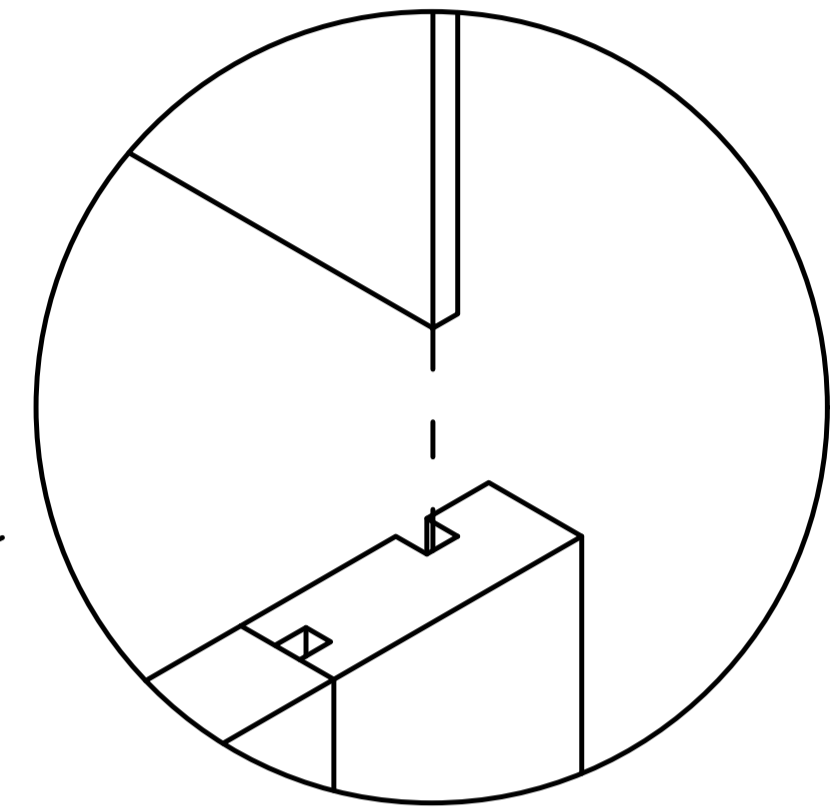
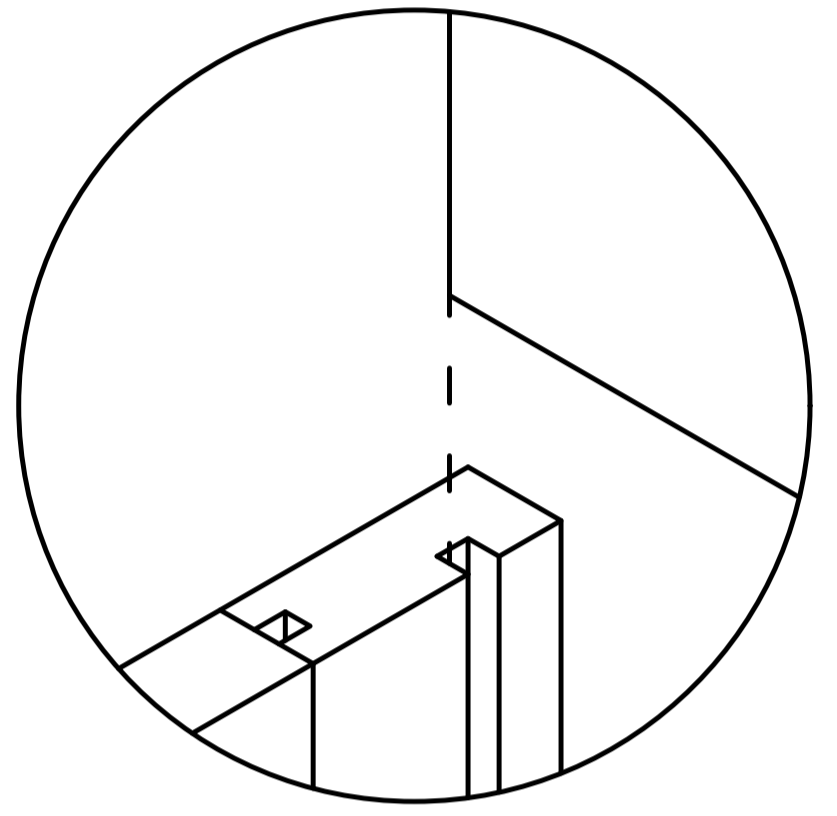
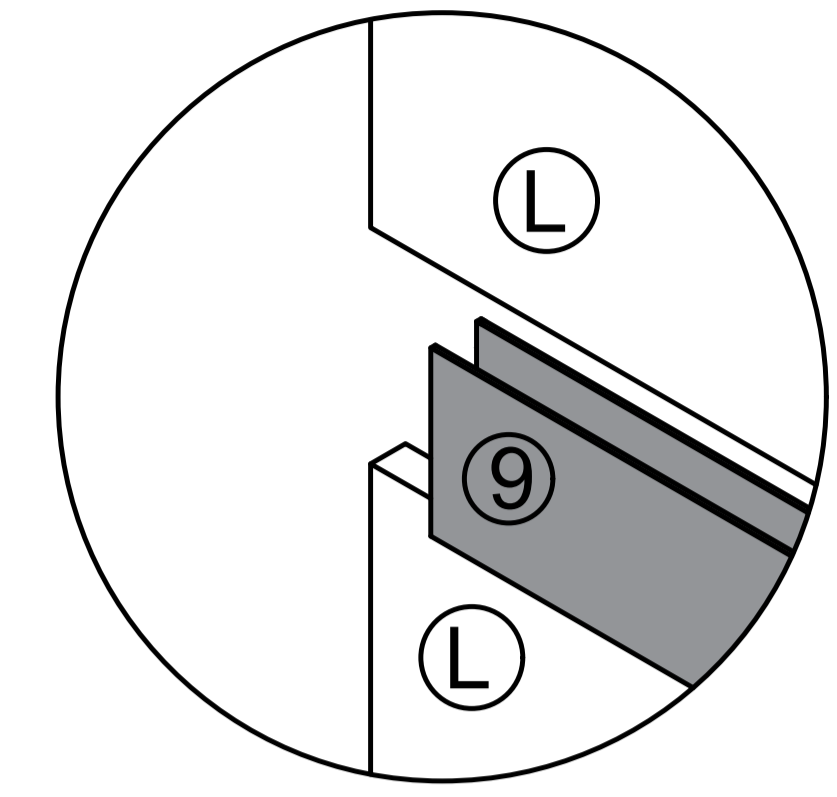


x4

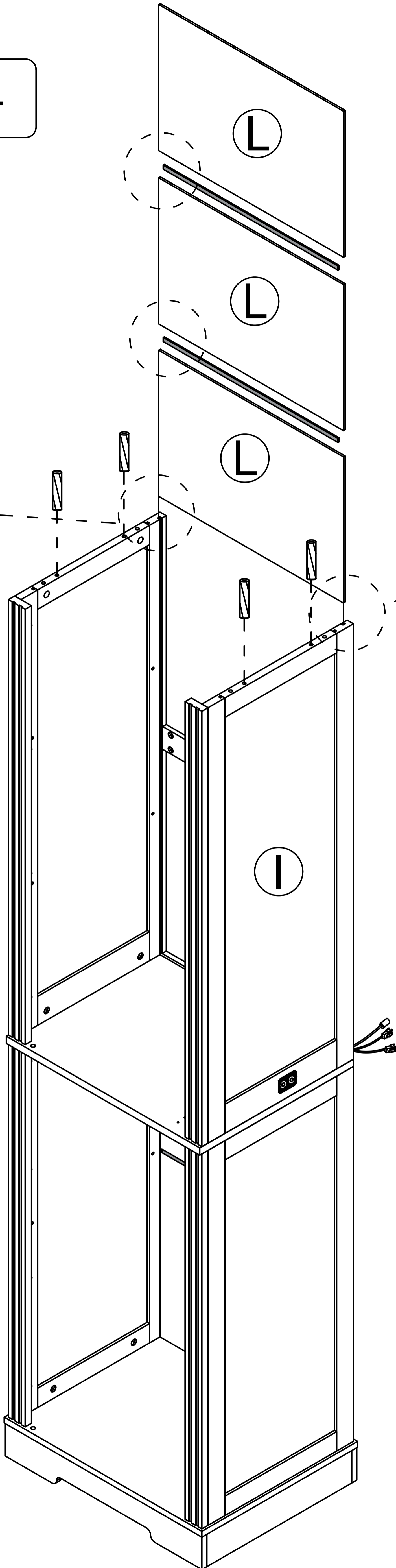


# Step 24

- ③  x4
- ⑨  x2

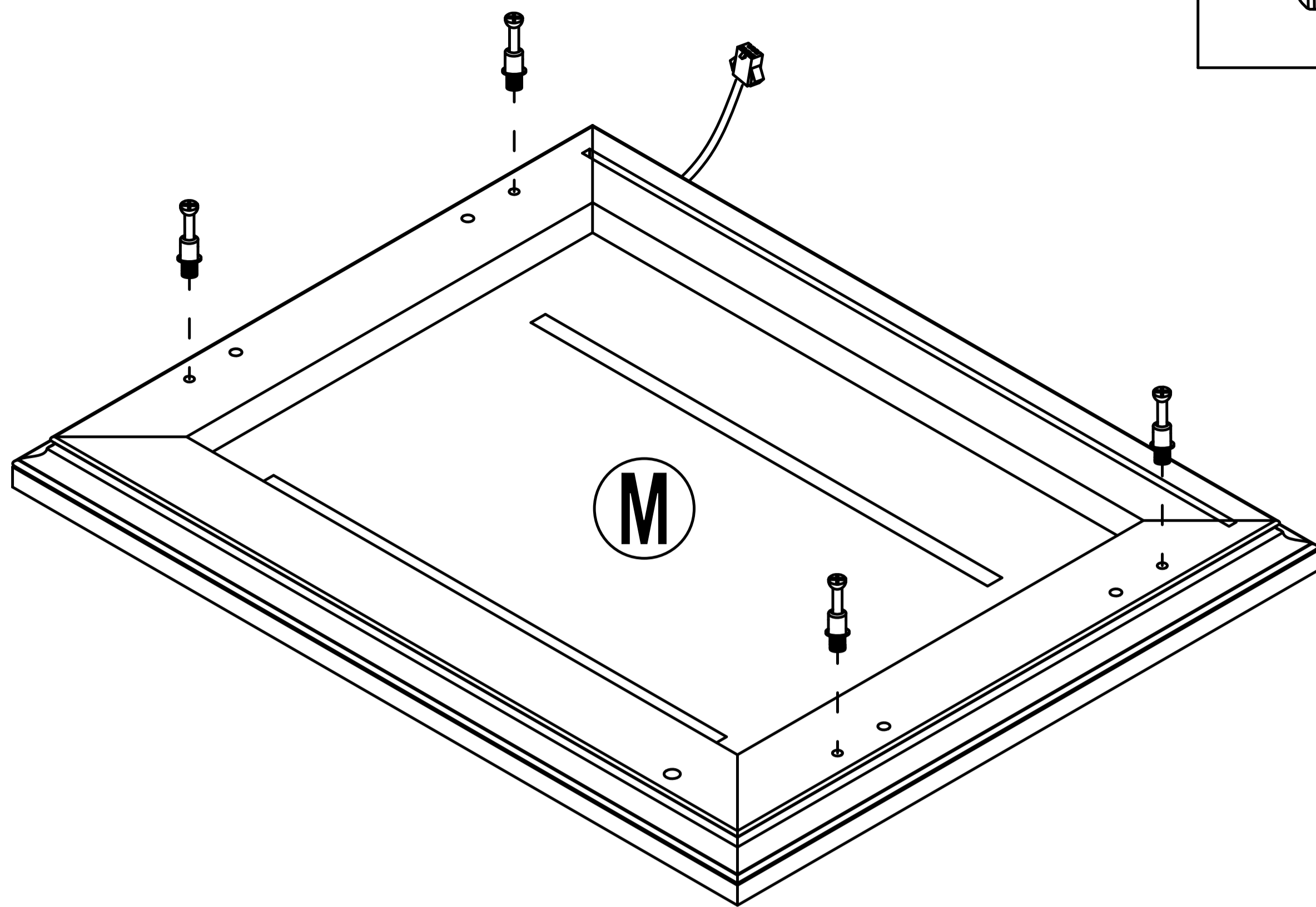
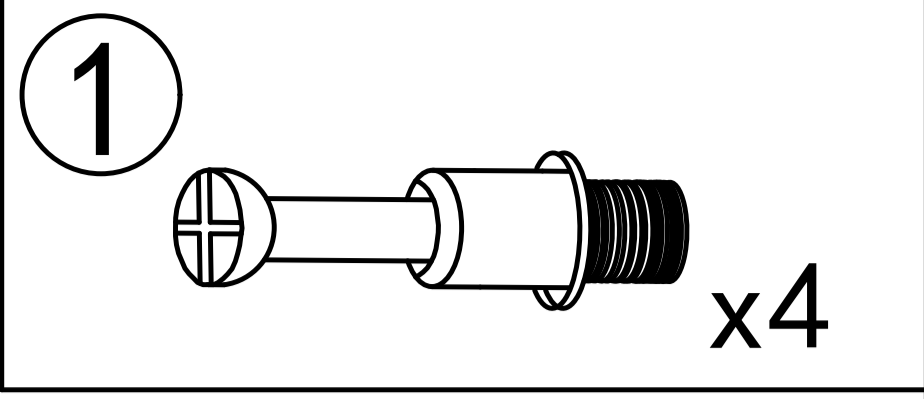


Place the "L" board, Backboard card strip, and "L" board in order

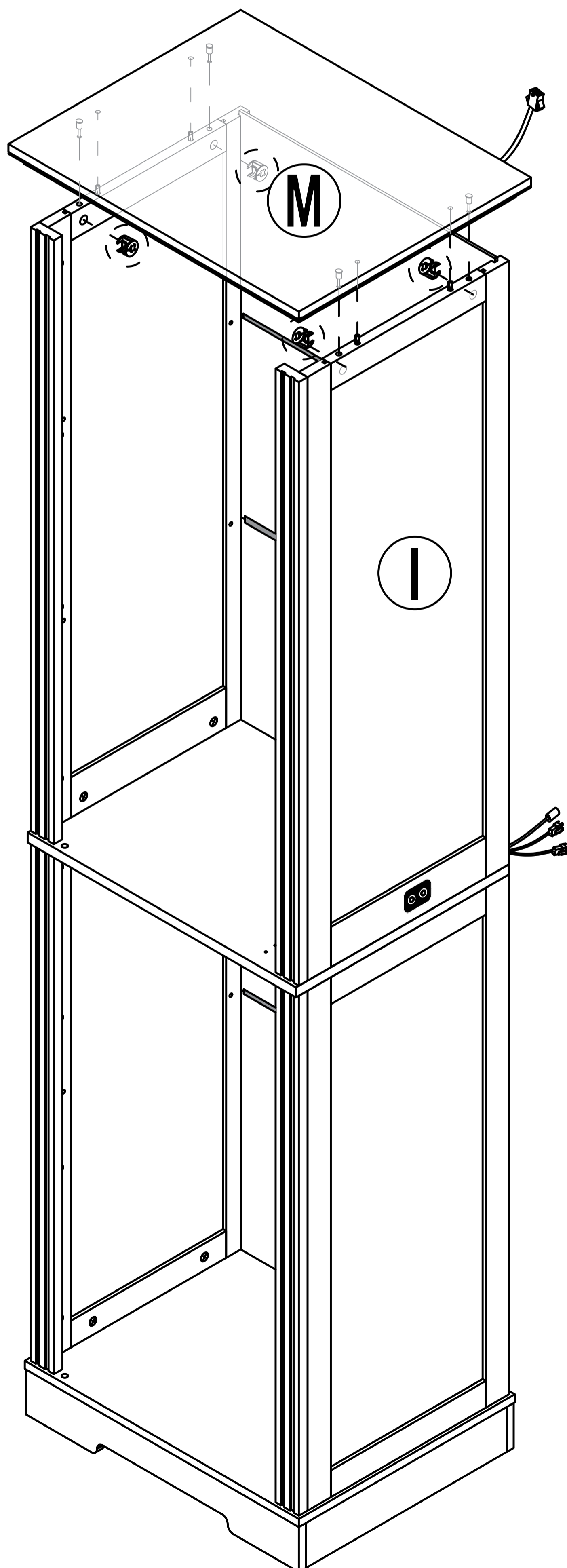
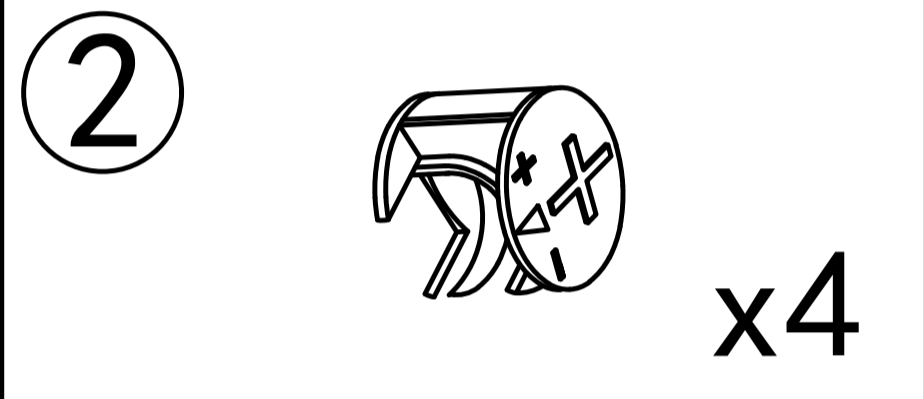


It is recommended that two people work together to install the structural wood panels.

Step 25

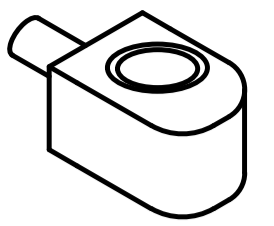


Step 26

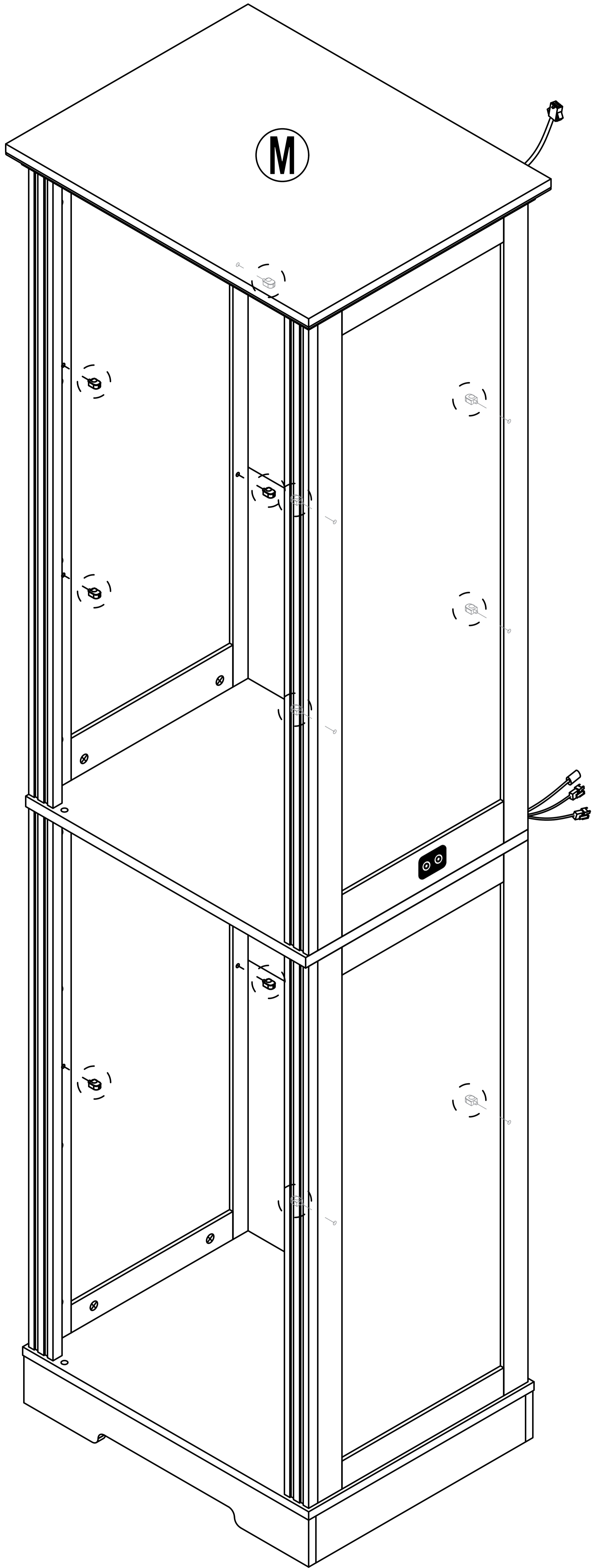
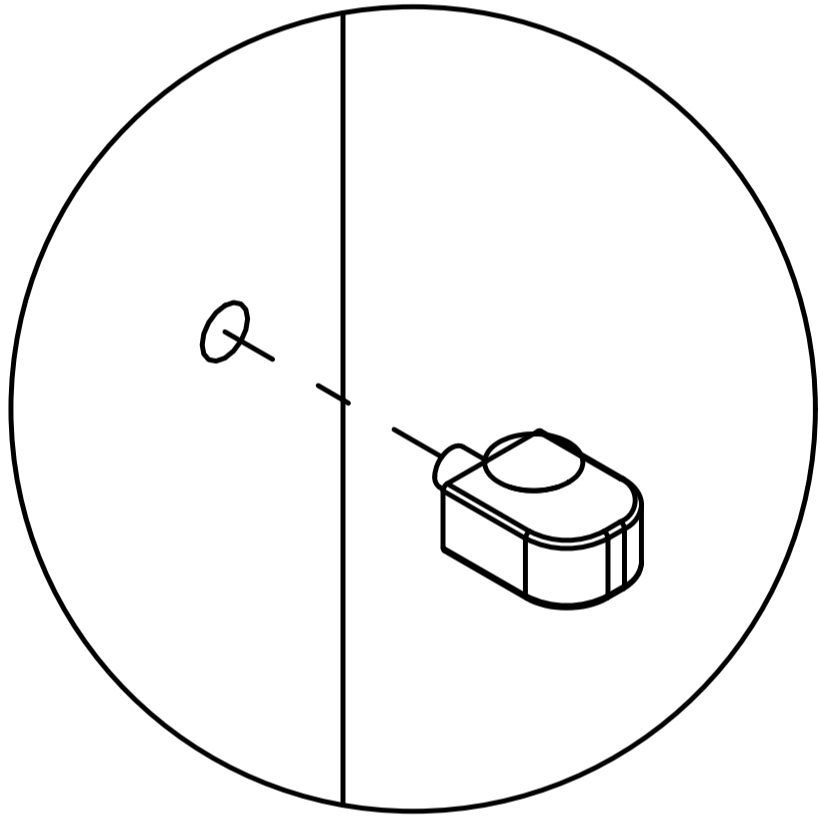


Step 27

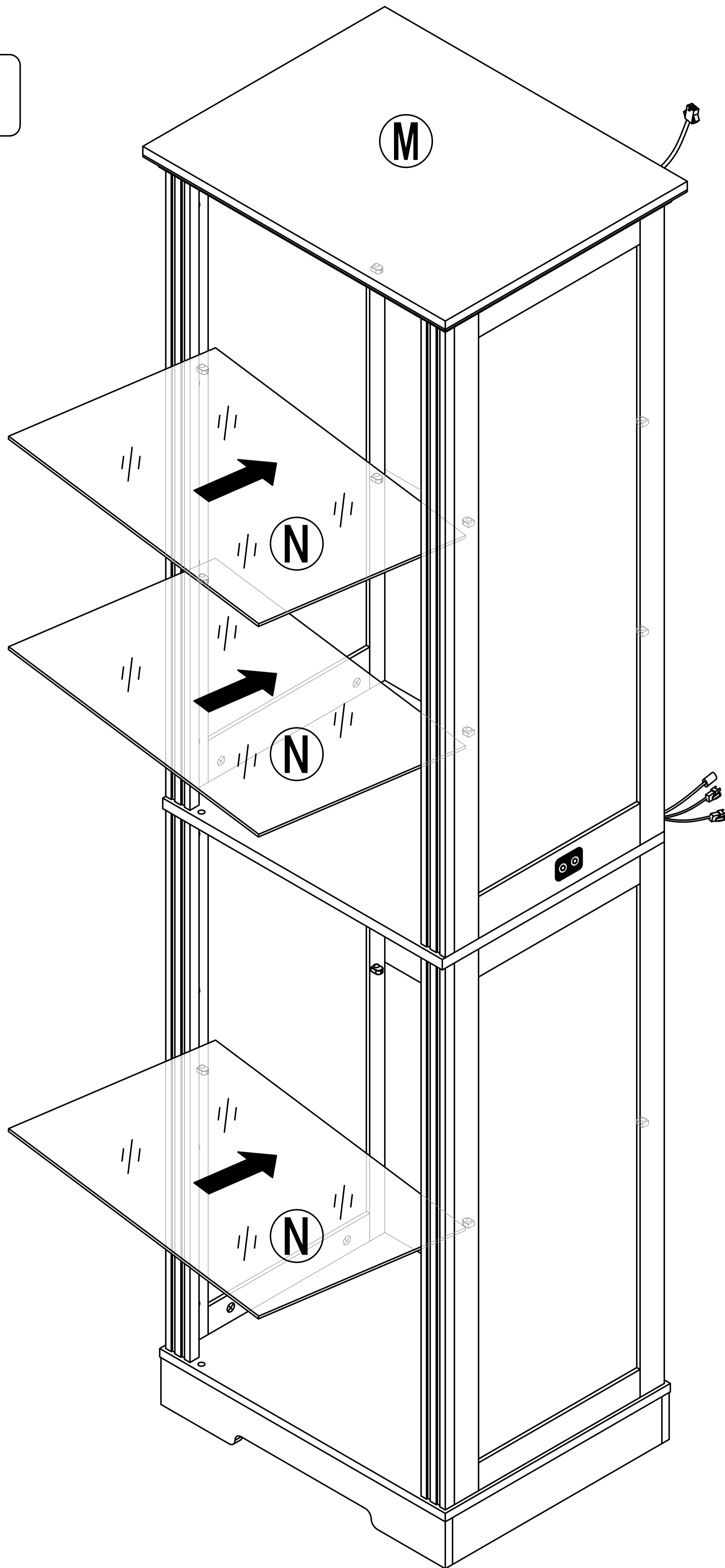
7



x12



## Step 28

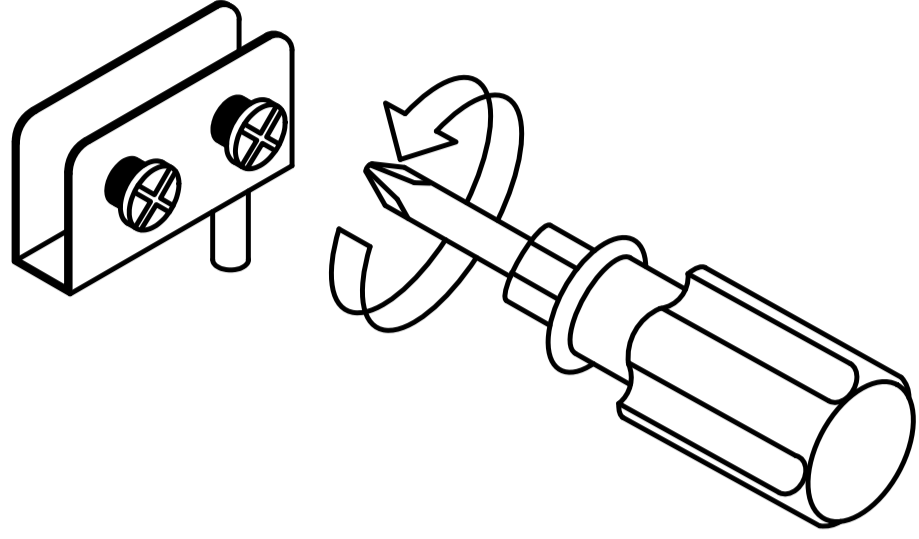


When installing the glass shelf, be sure to insert it into the cabinet at an angle.

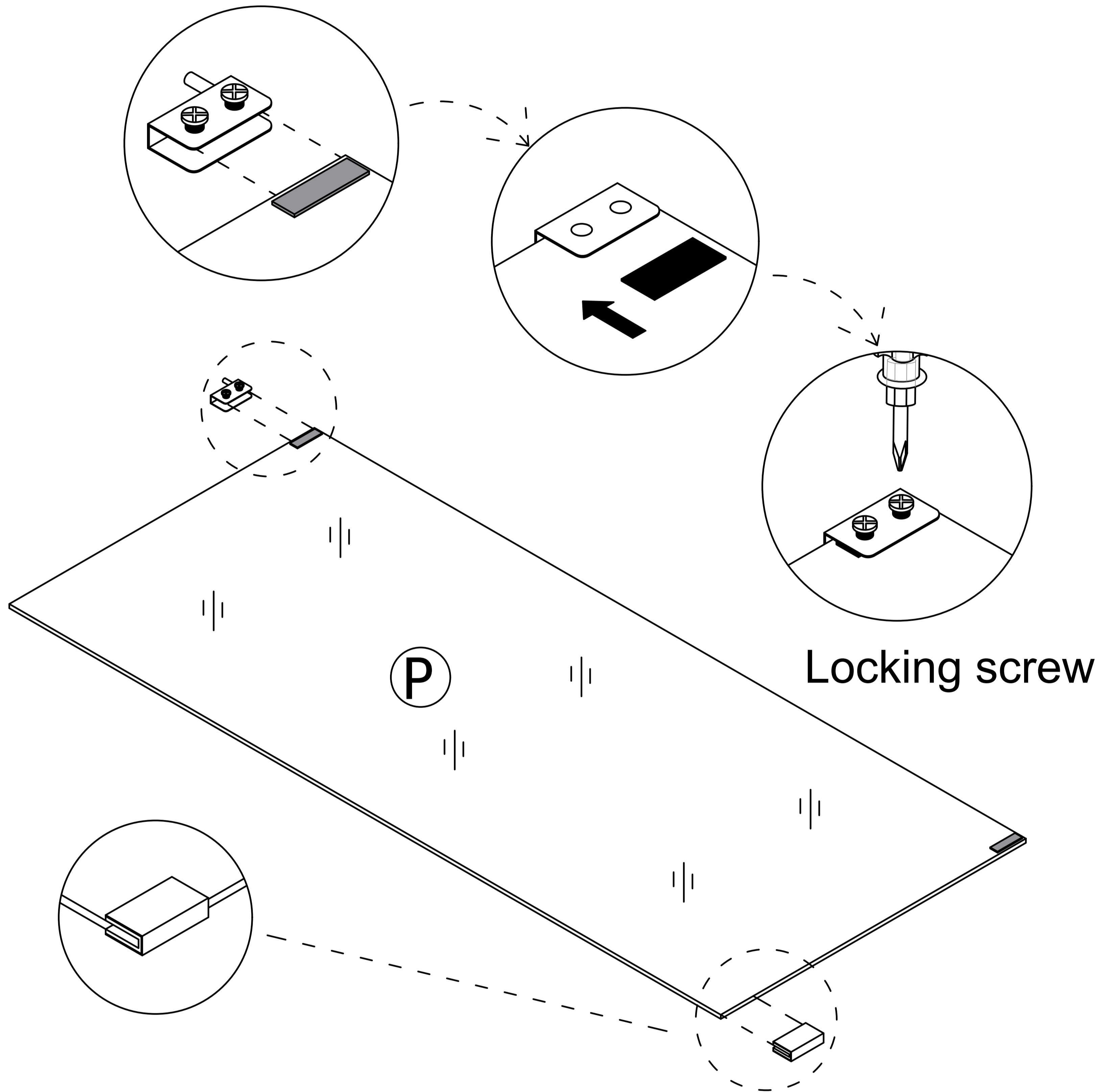
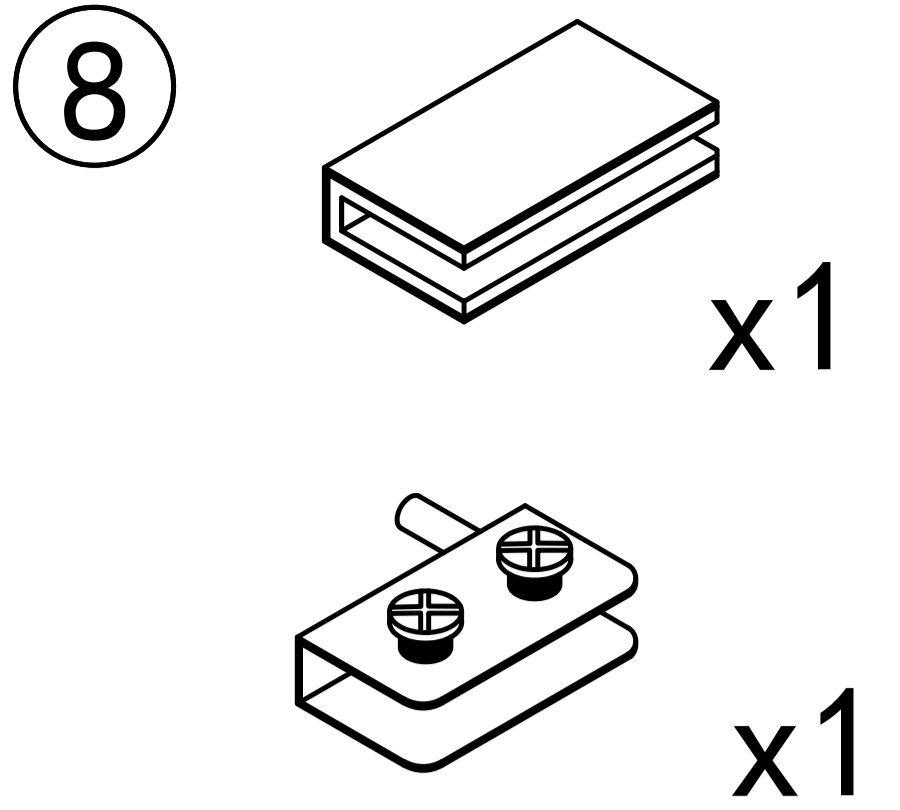
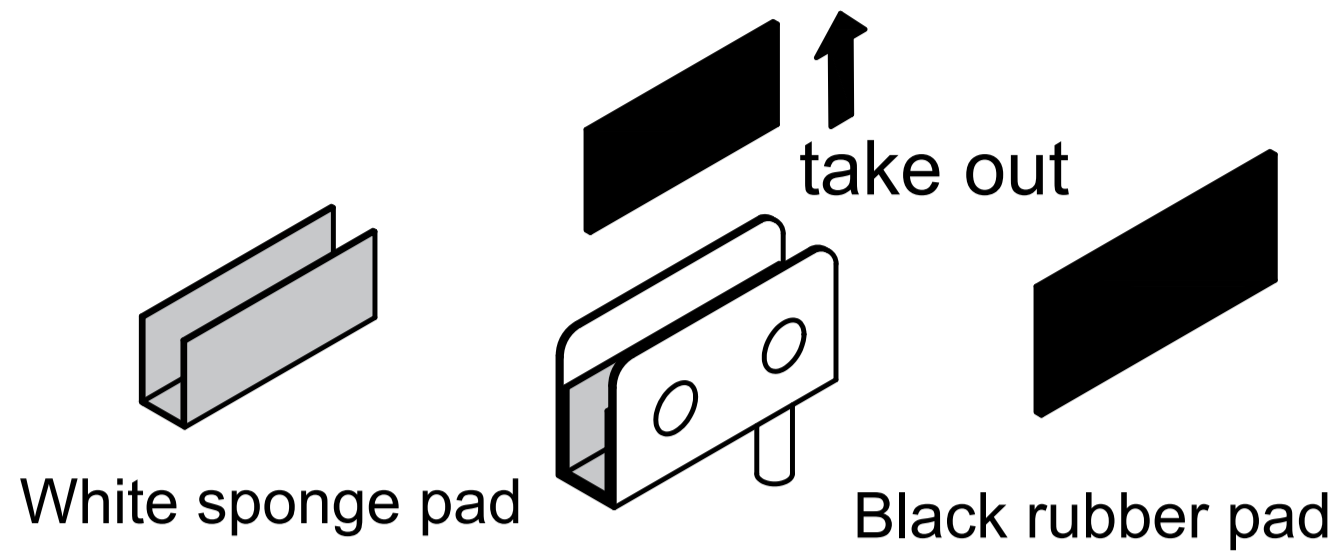
Please handle the glass with care and place it gently.

## Step 29

First, completely unscrew the screws on the parts



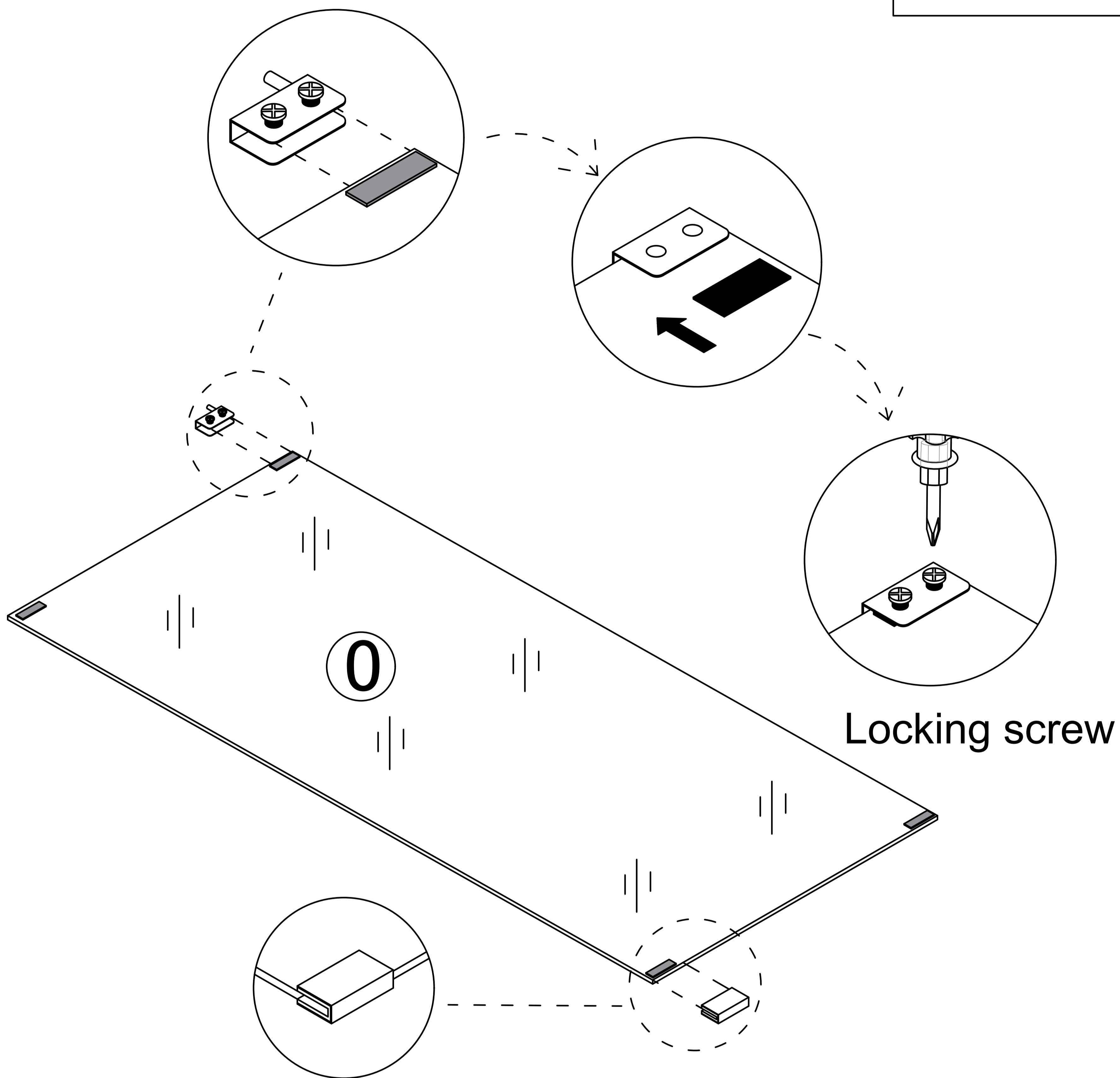
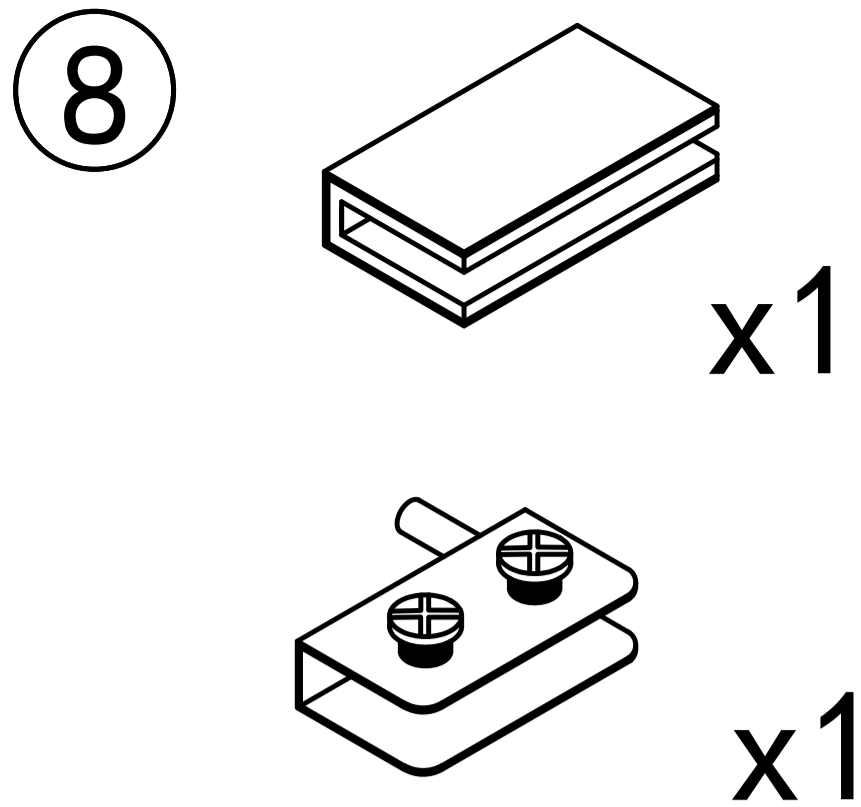
Then take out the black rubber pad from the inside of the part, and the white sponge remains unchanged inside the part.



Pay attention to the direction of the door hinge, rotate the screws to compress the black gasket, and do not place it in the opposite direction

Place the black gasket on the side where the screws are installed

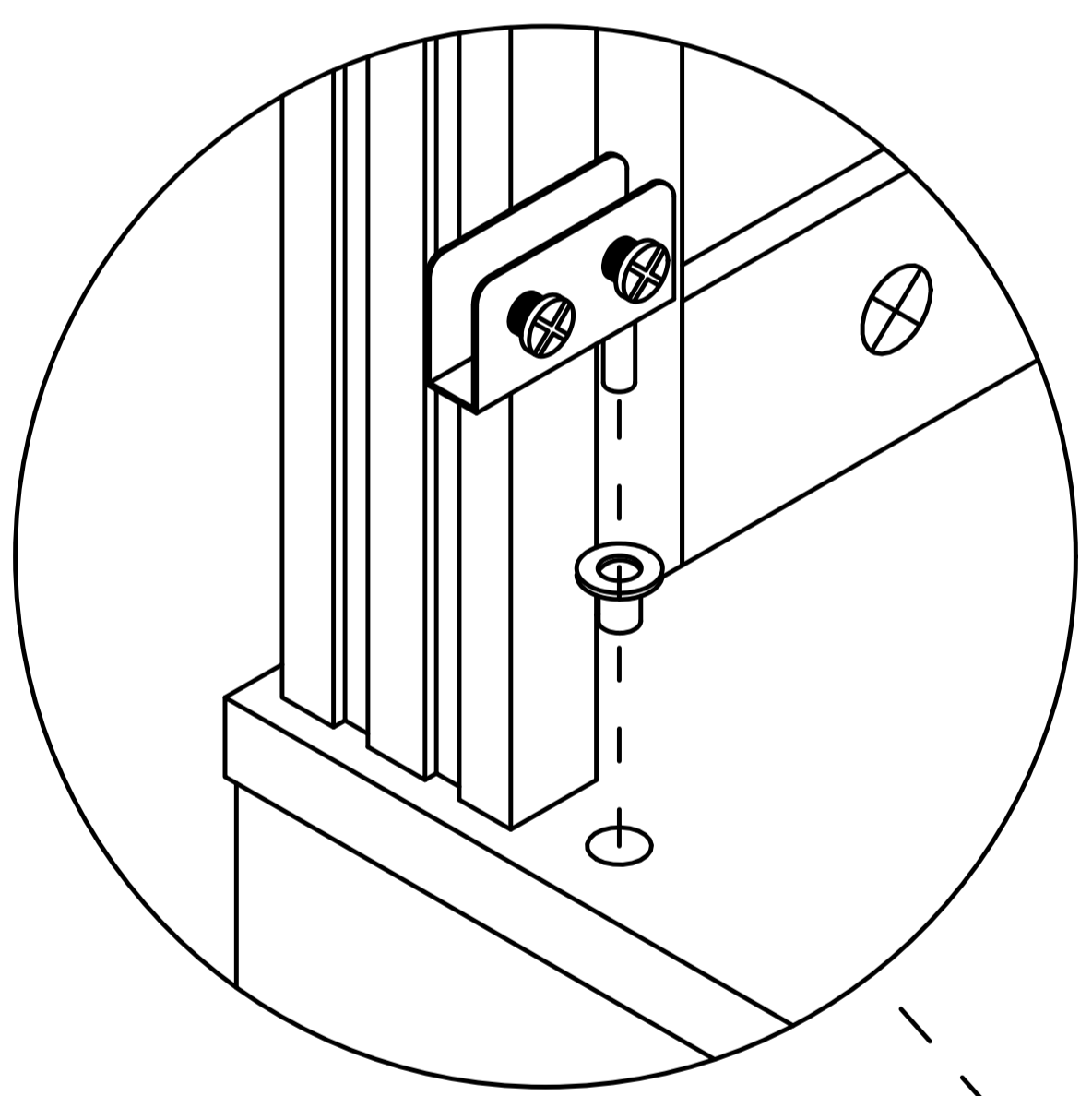
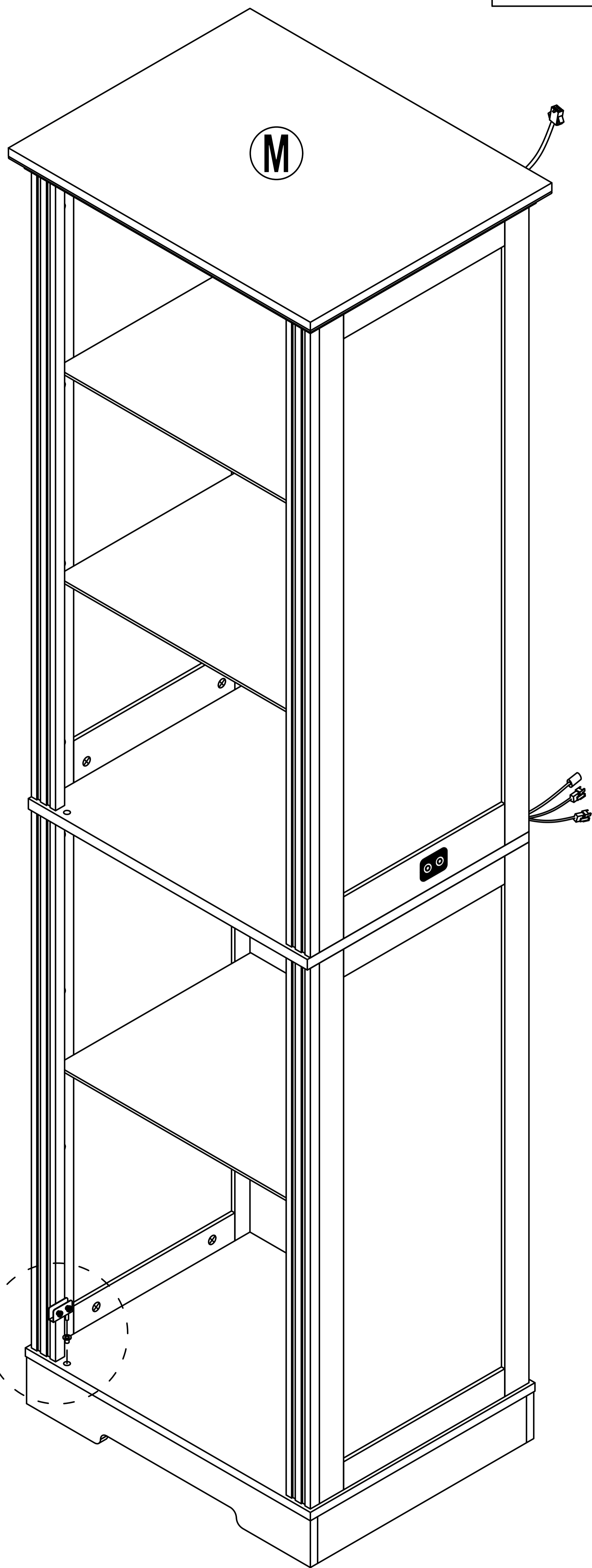
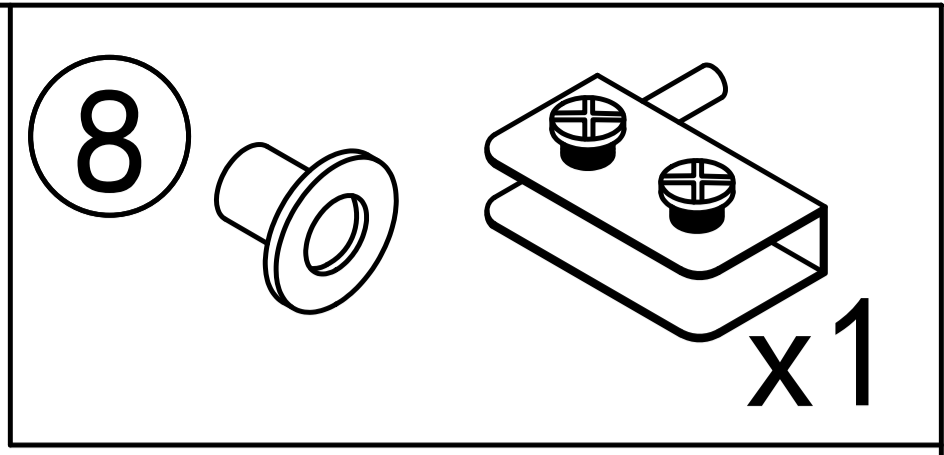
# Step 30



Pay attention to the direction of the door hinge, rotate the screws to compress the black gasket, and do not place it in the opposite direction

Place the black gasket on the side where the screws are installed

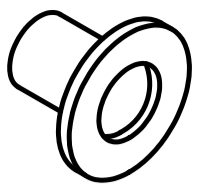
Step 31



## Step 32

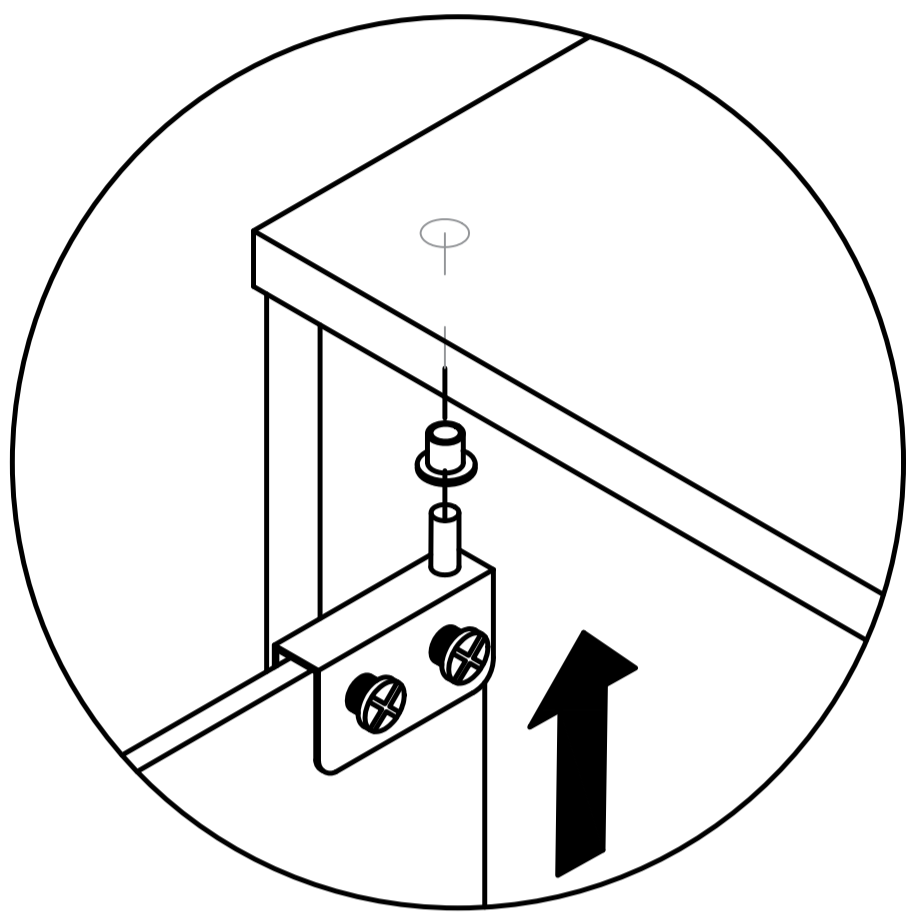
Pay attention to the direction of the door hinge during installation

8

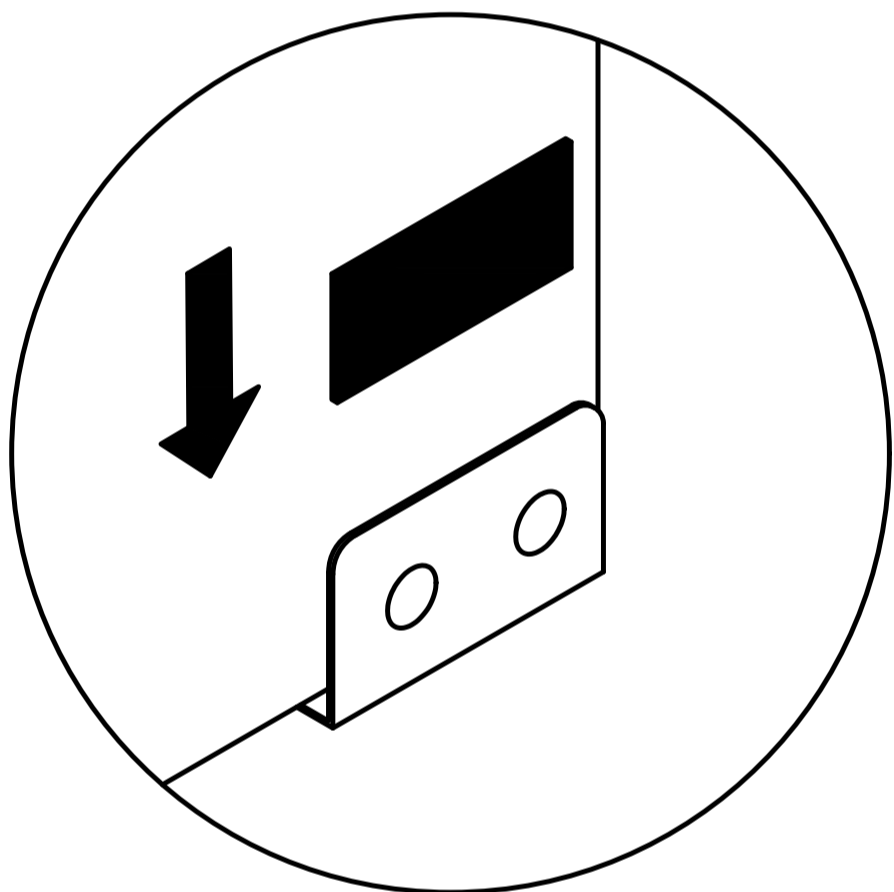


x1

When installing a glass door, it is recommended to have two people install it to avoid the glass door colliding or hitting oneself.

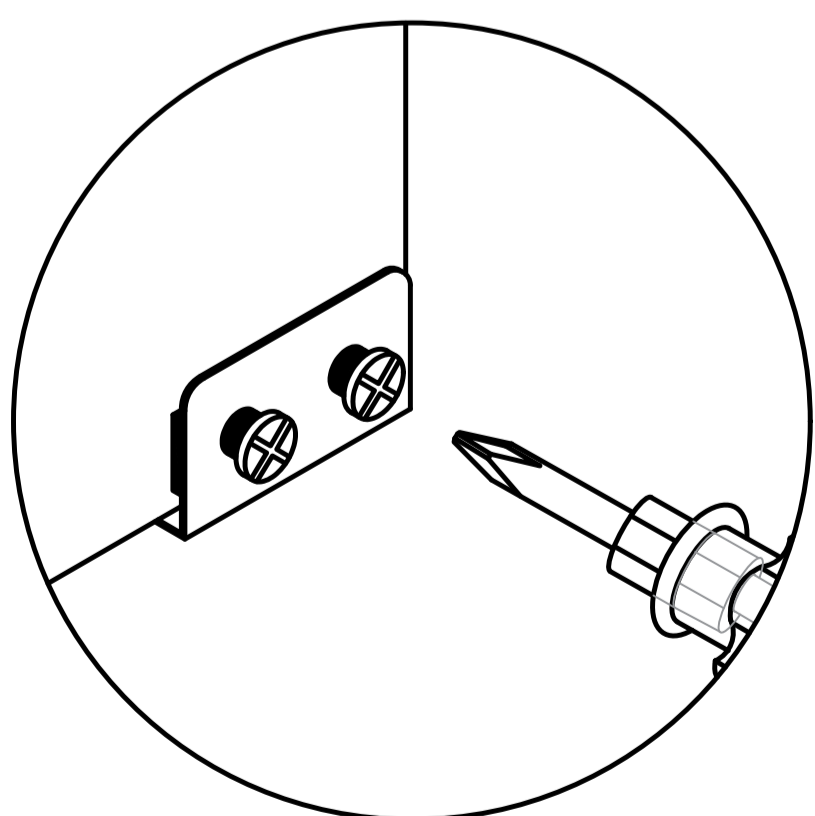


first



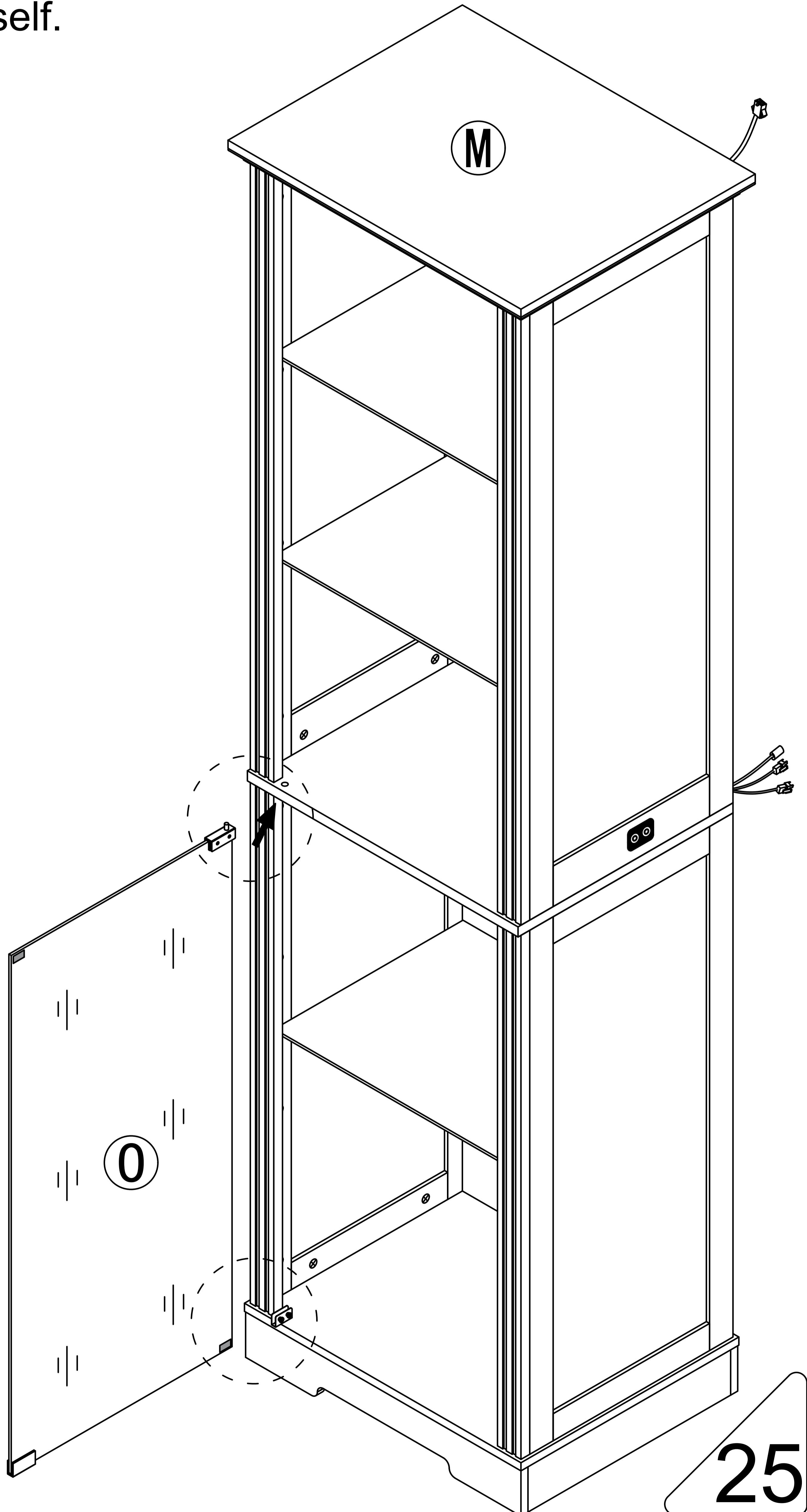
second

After installing the glass door, place the black gasket on the side where the screws are installed



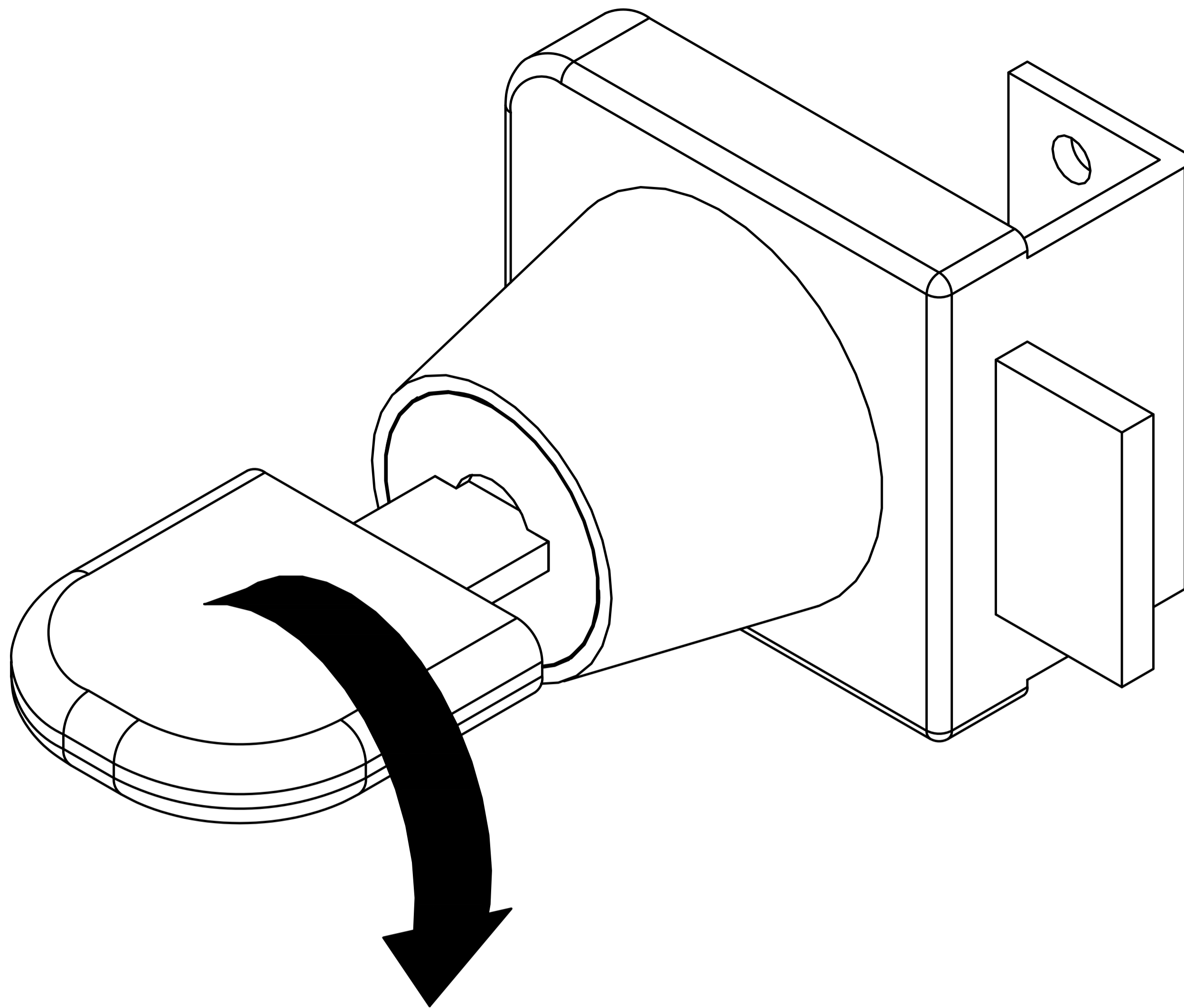
third

Locking screw

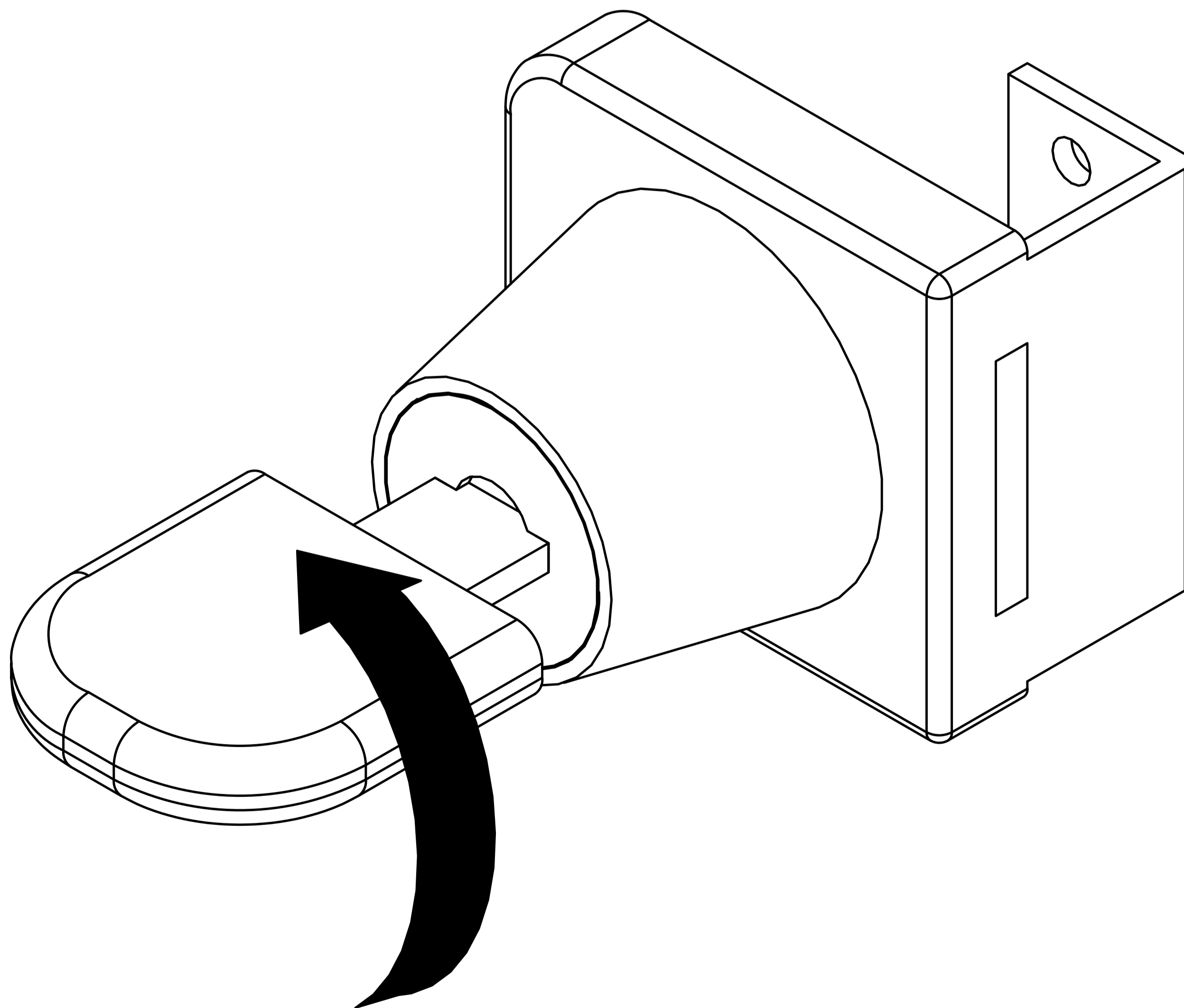


25

**Tip: Turning the door lock to the right will close it**

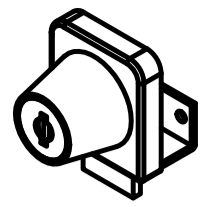


**Tip: Turning the door lock to the left opens it**



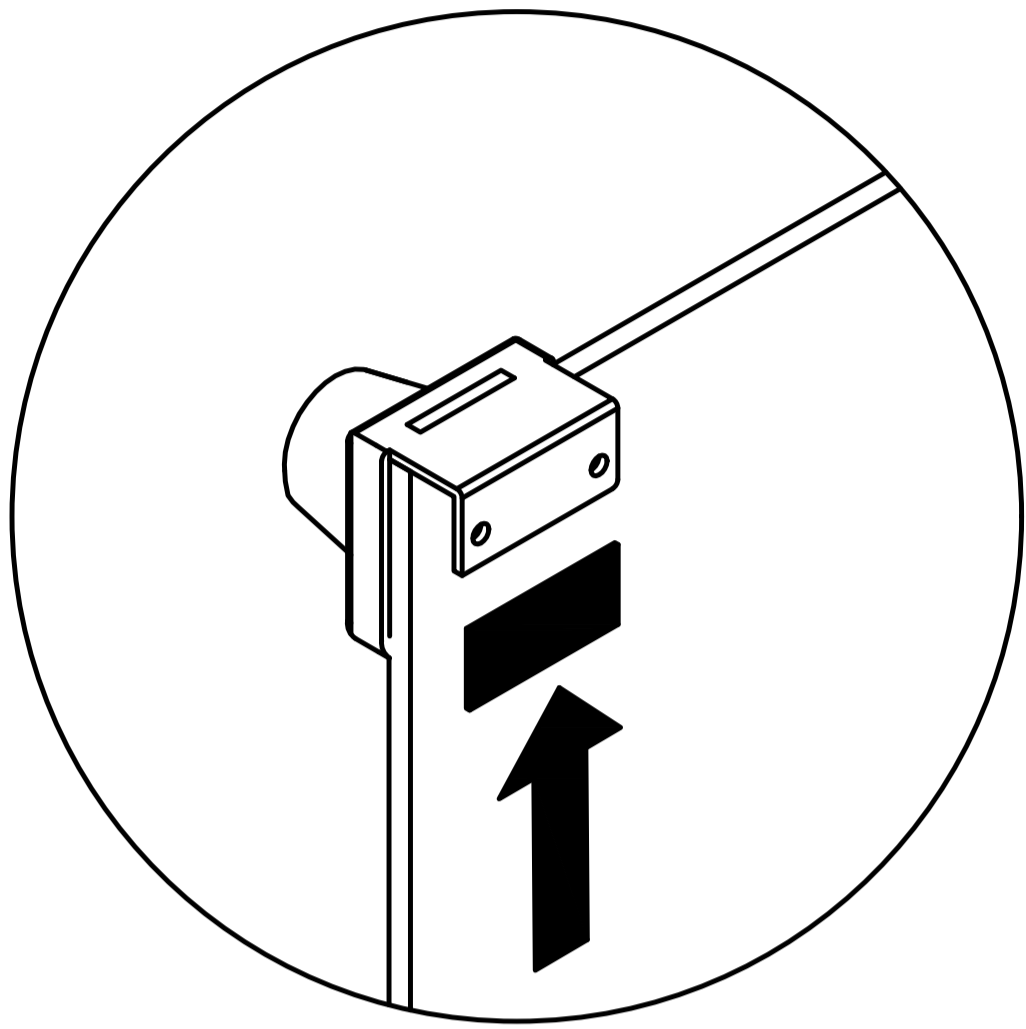
# Step 33

10

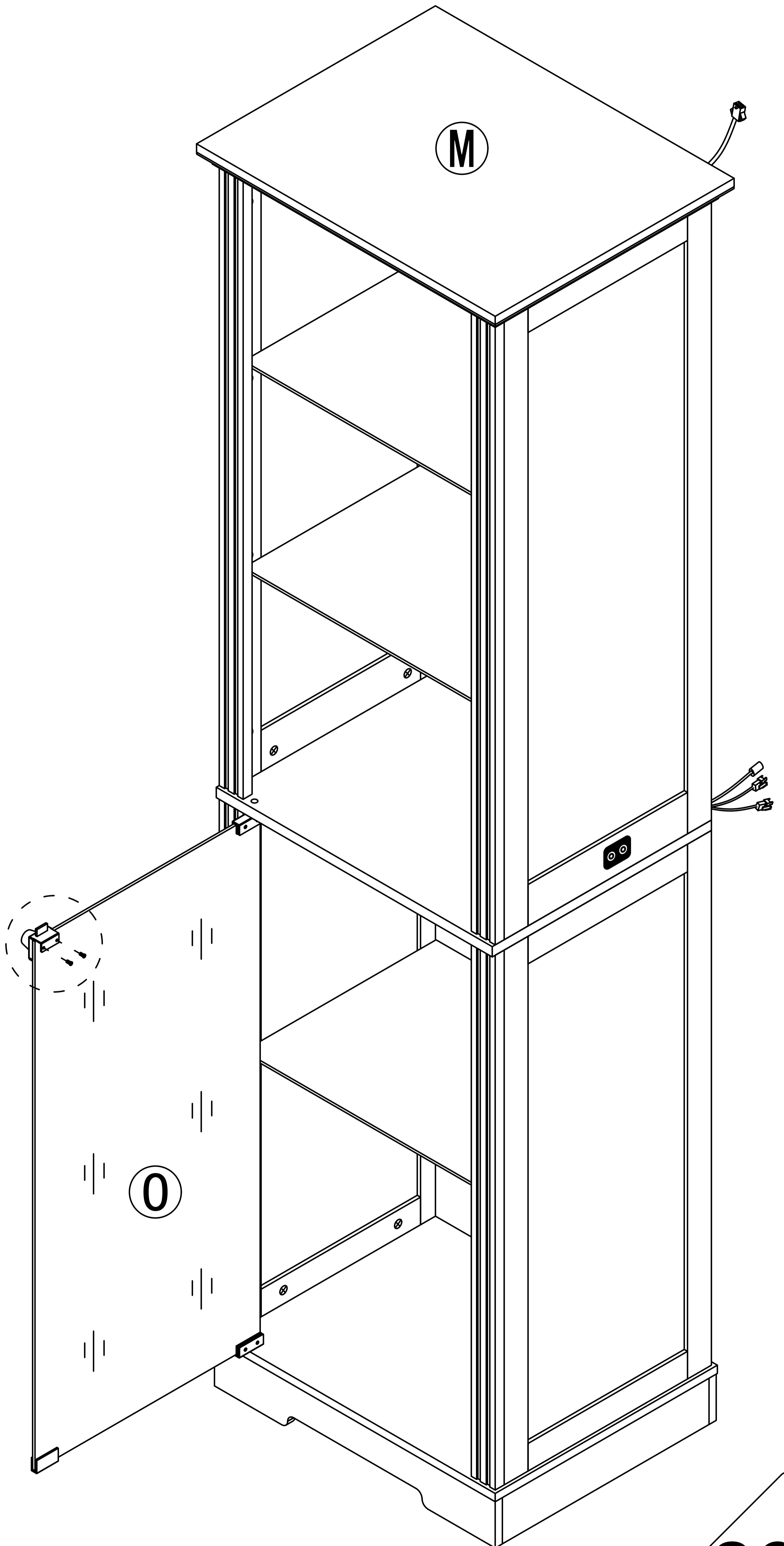
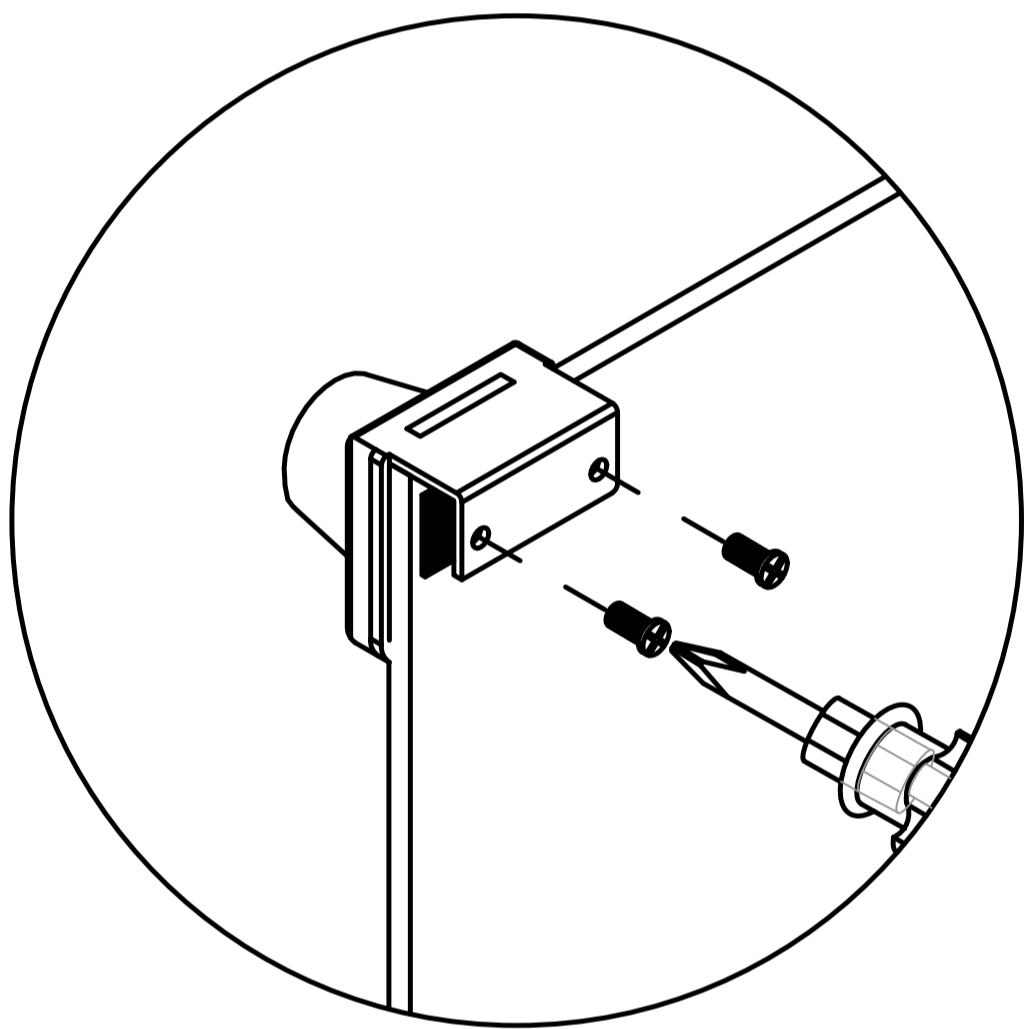


x1

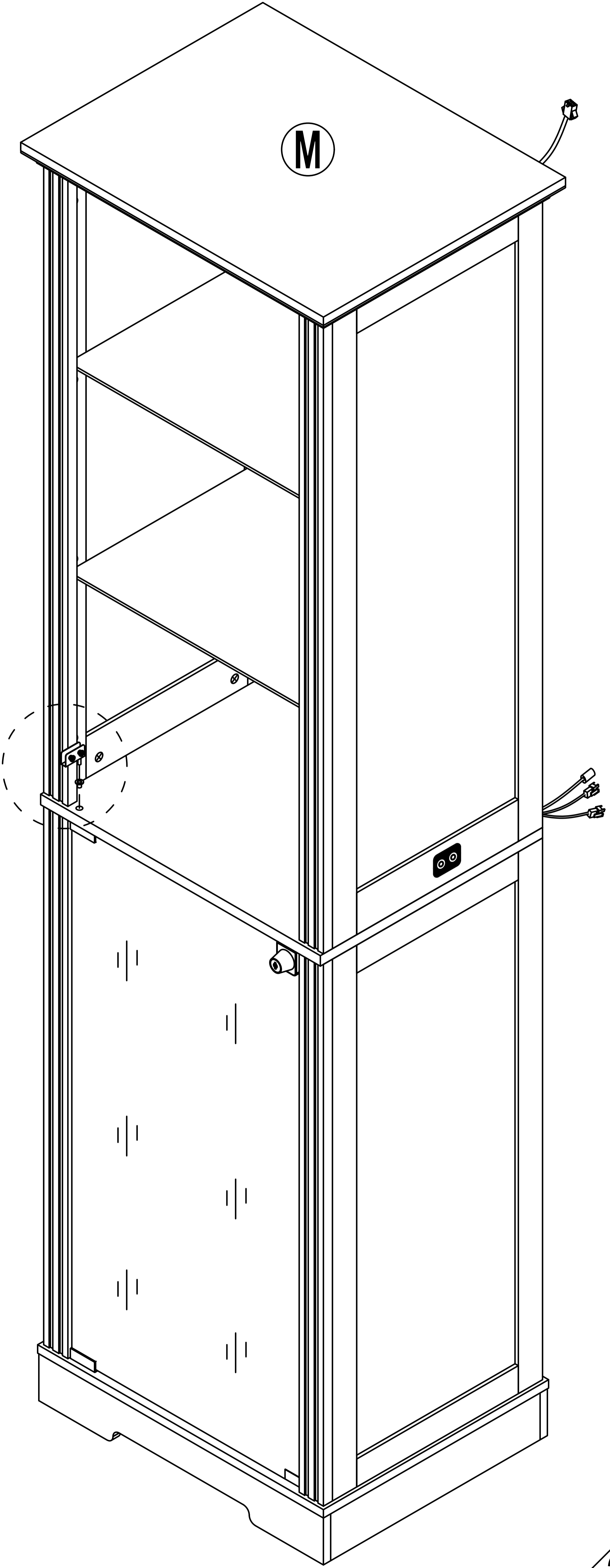
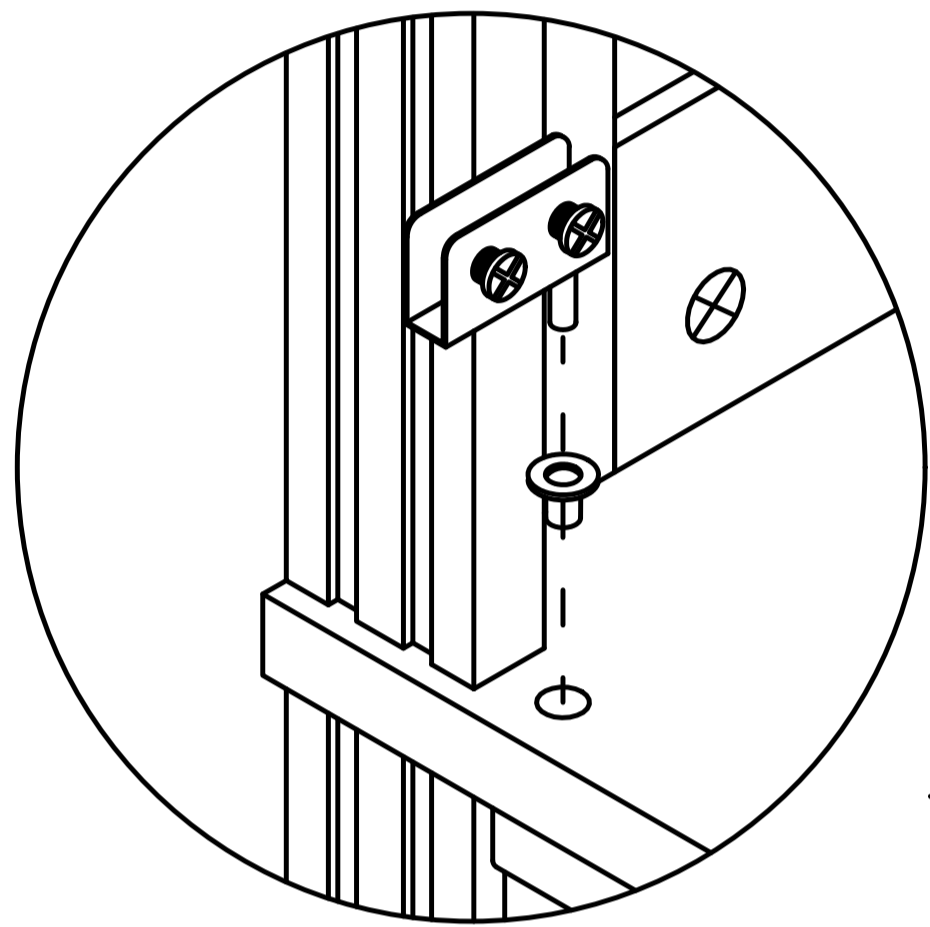
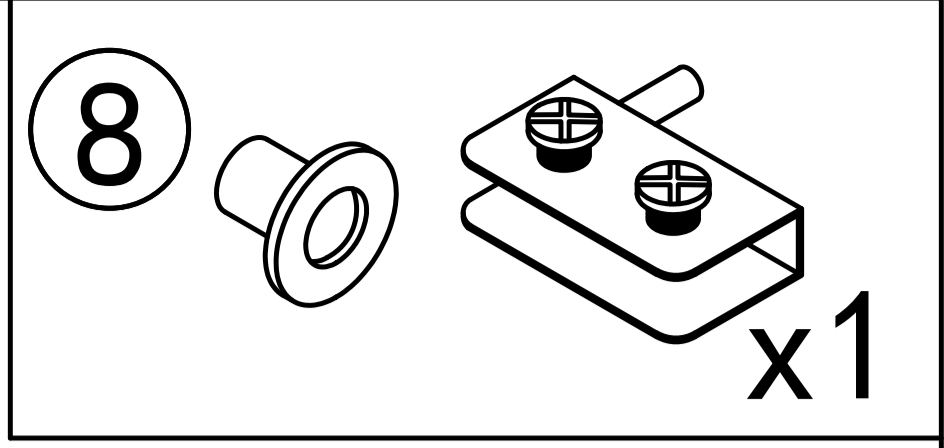
first



second



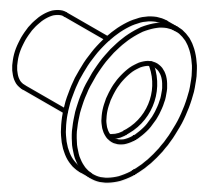
Step 34



## Step 35

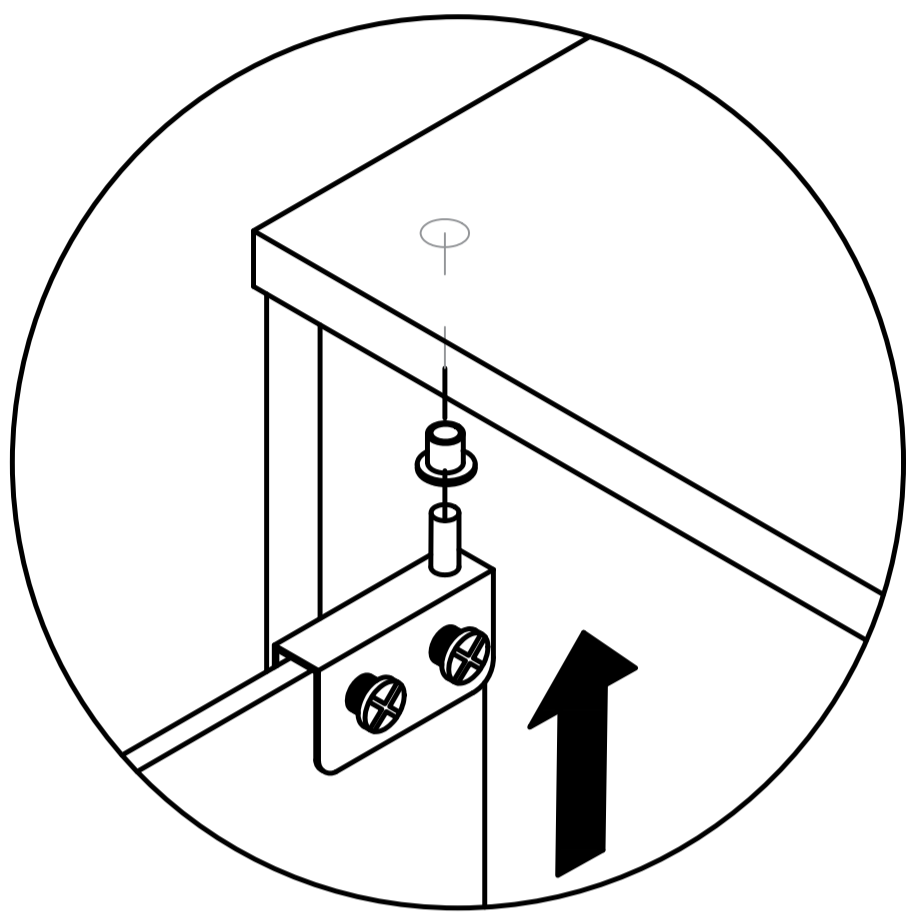
Pay attention to the direction of the door hinge during installation

8

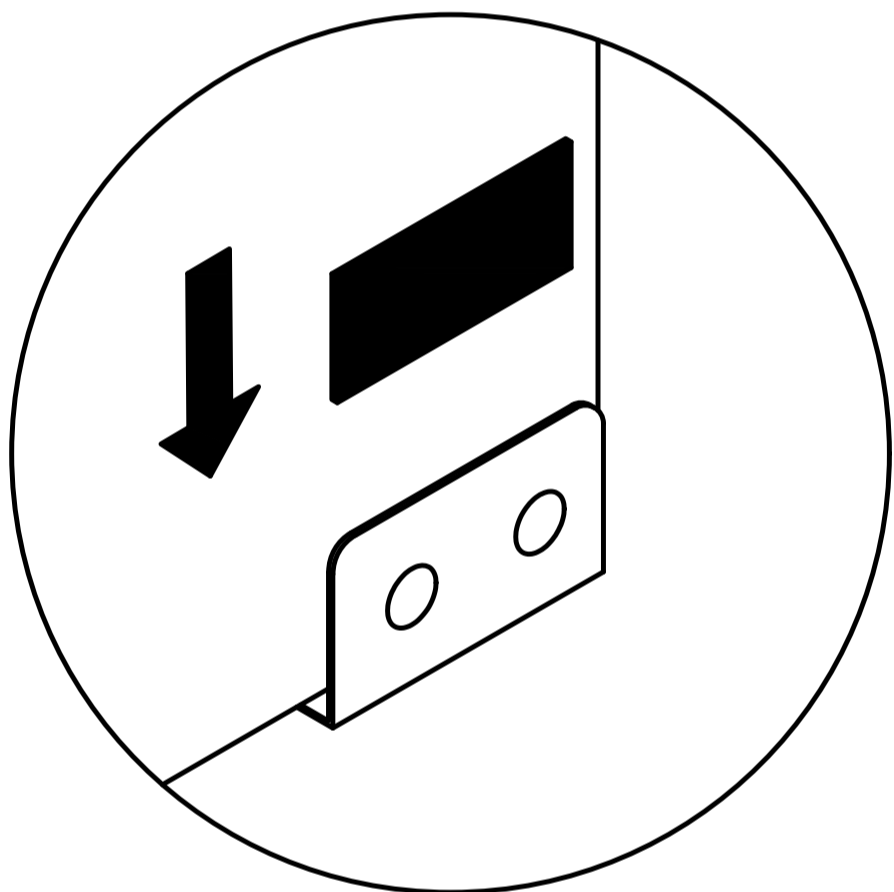


x1

When installing a glass door, it is recommended to have two people install it to avoid the glass door colliding or hitting oneself.

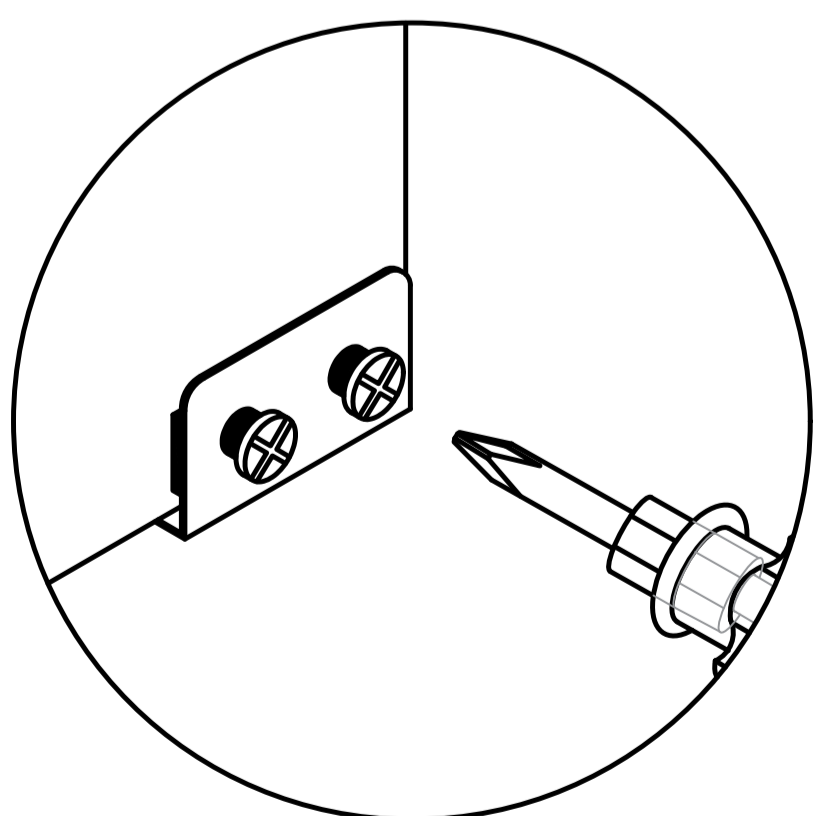


first



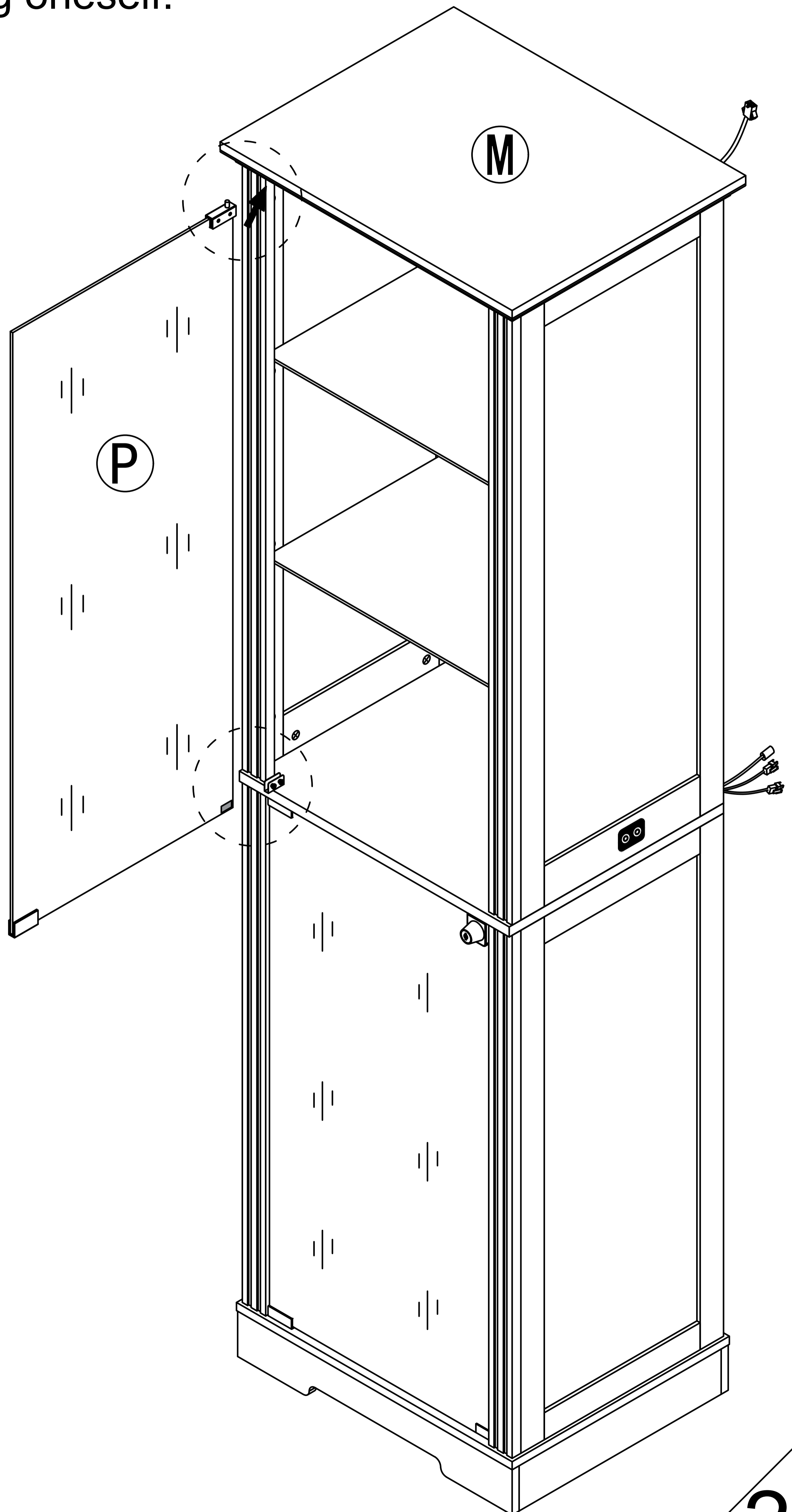
second

After installing the glass door, place the black gasket on the side where the screws are installed



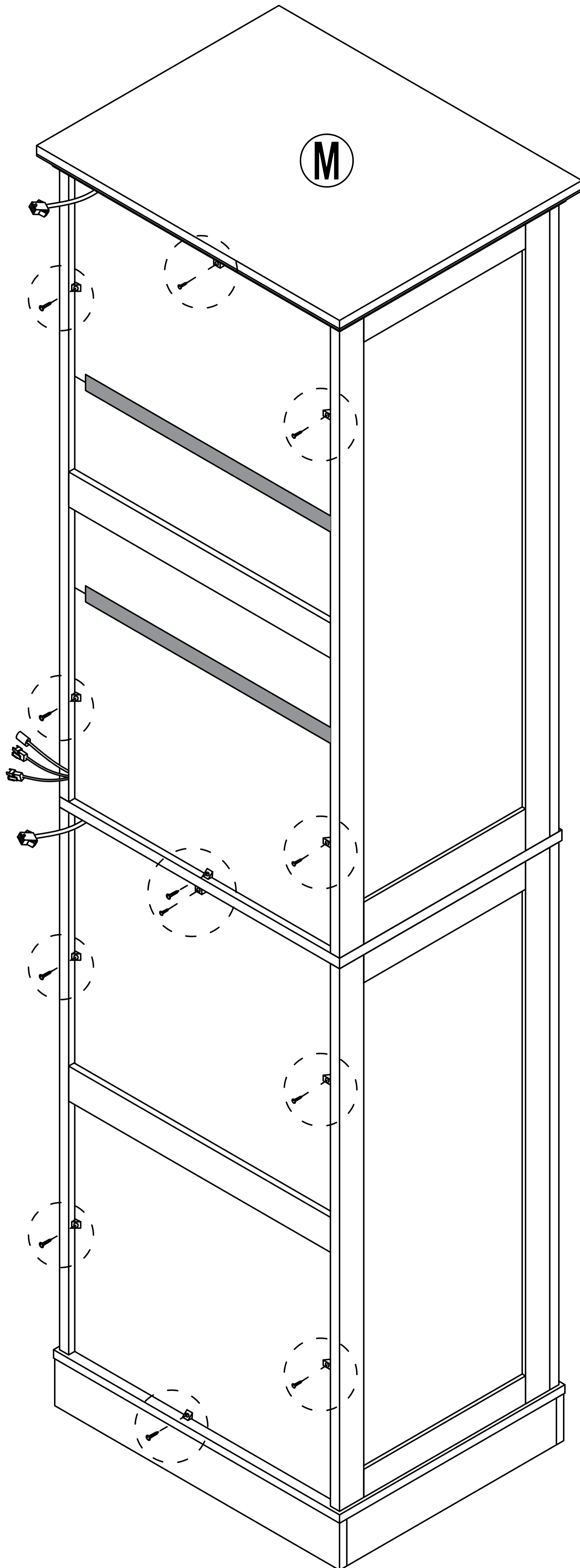
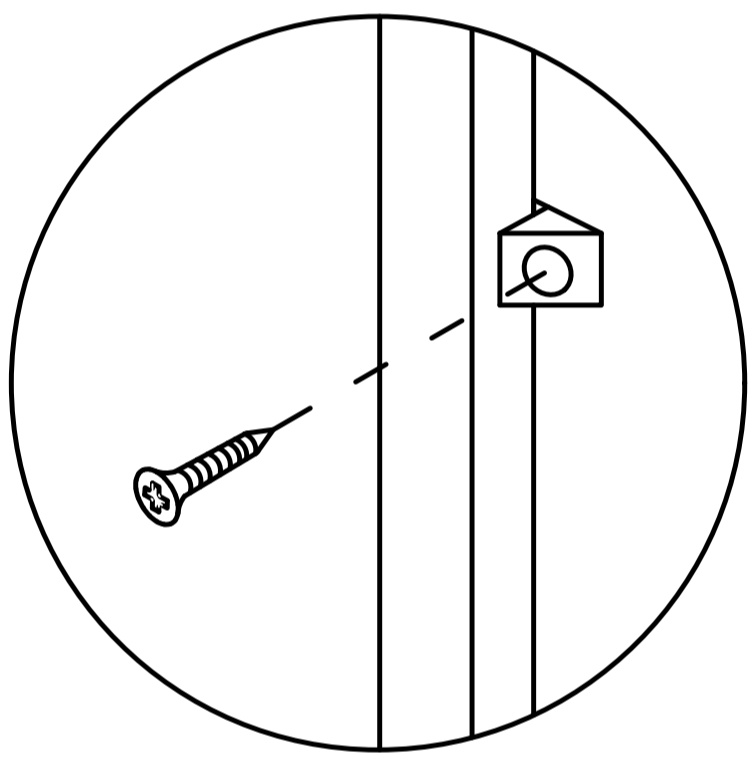
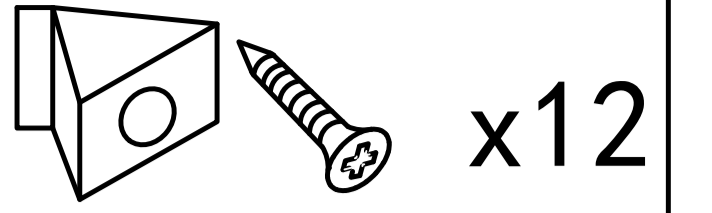
third

Locking screw

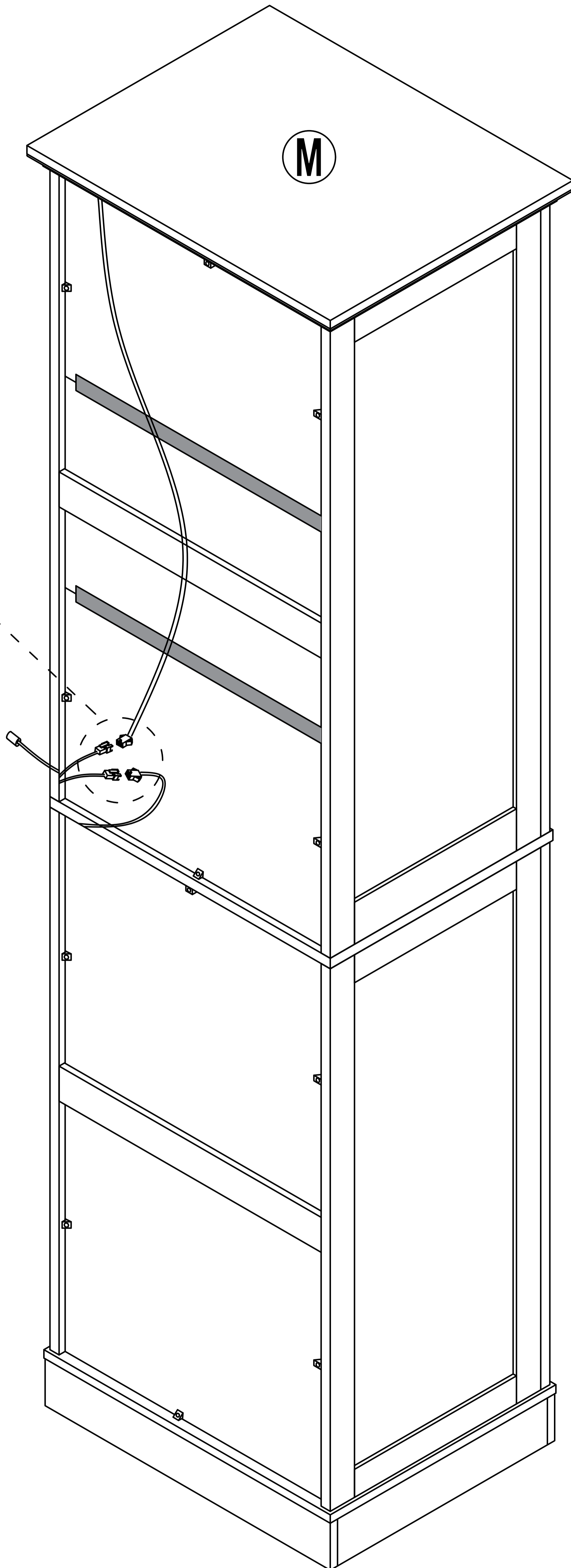
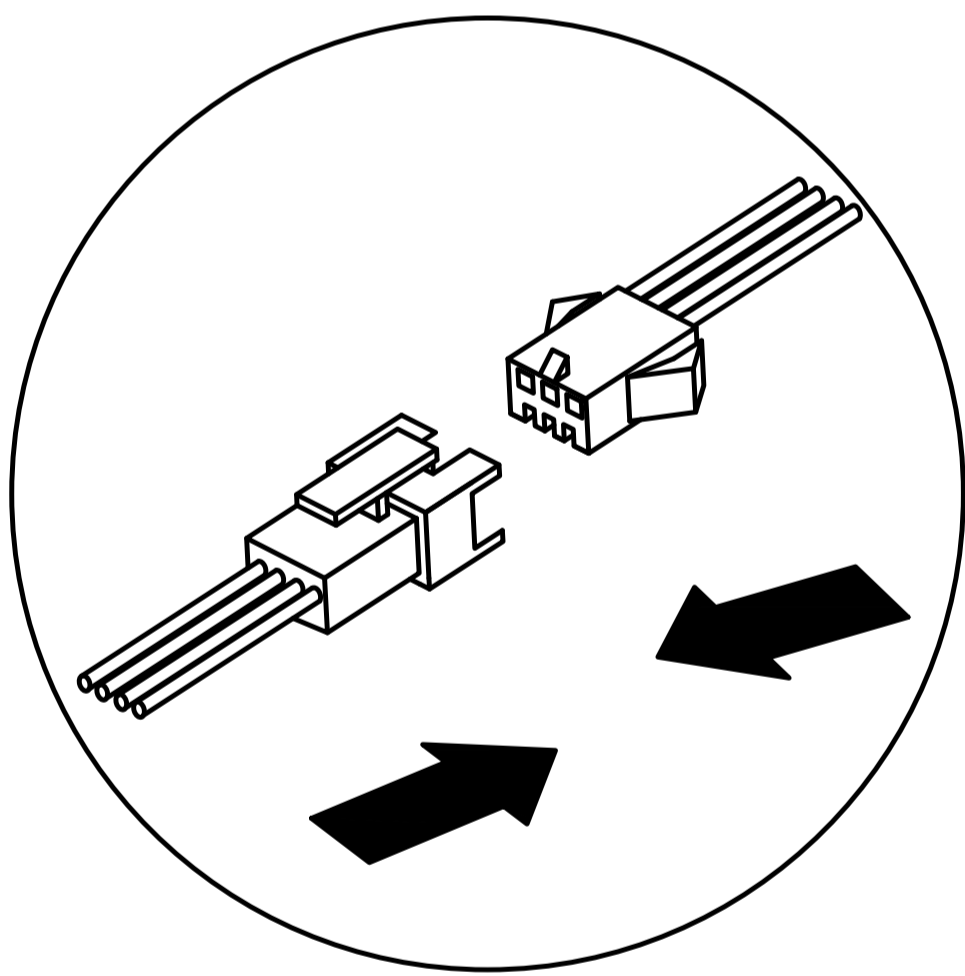
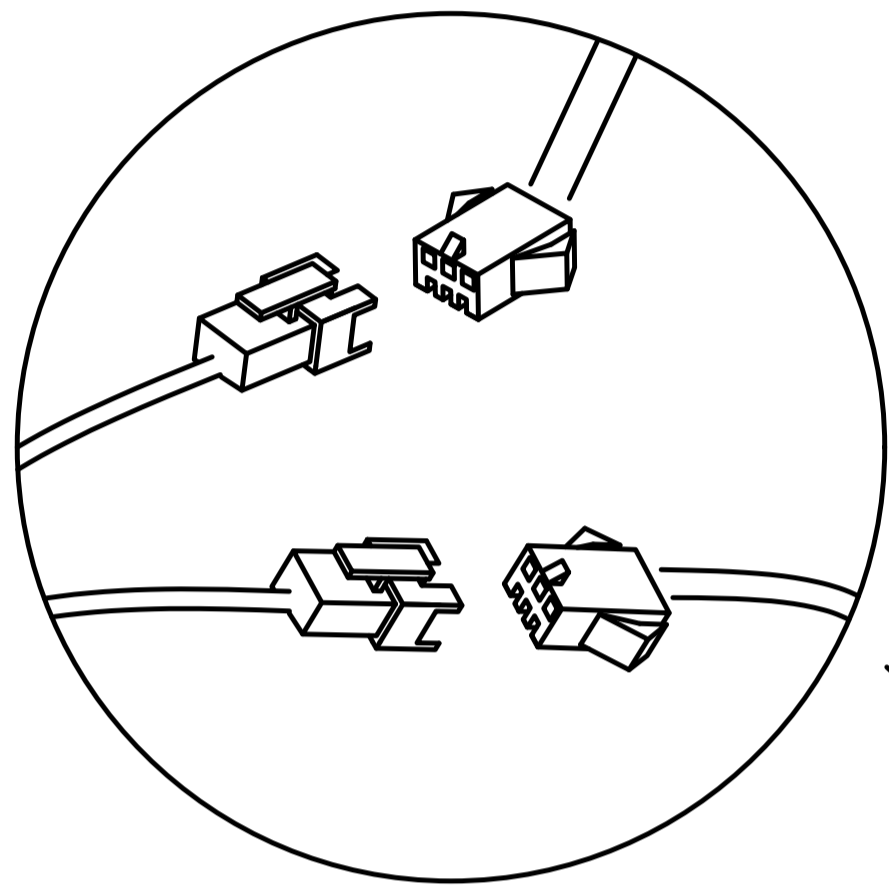


# Step 36

5

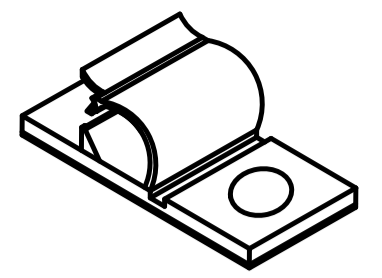


# Step 37

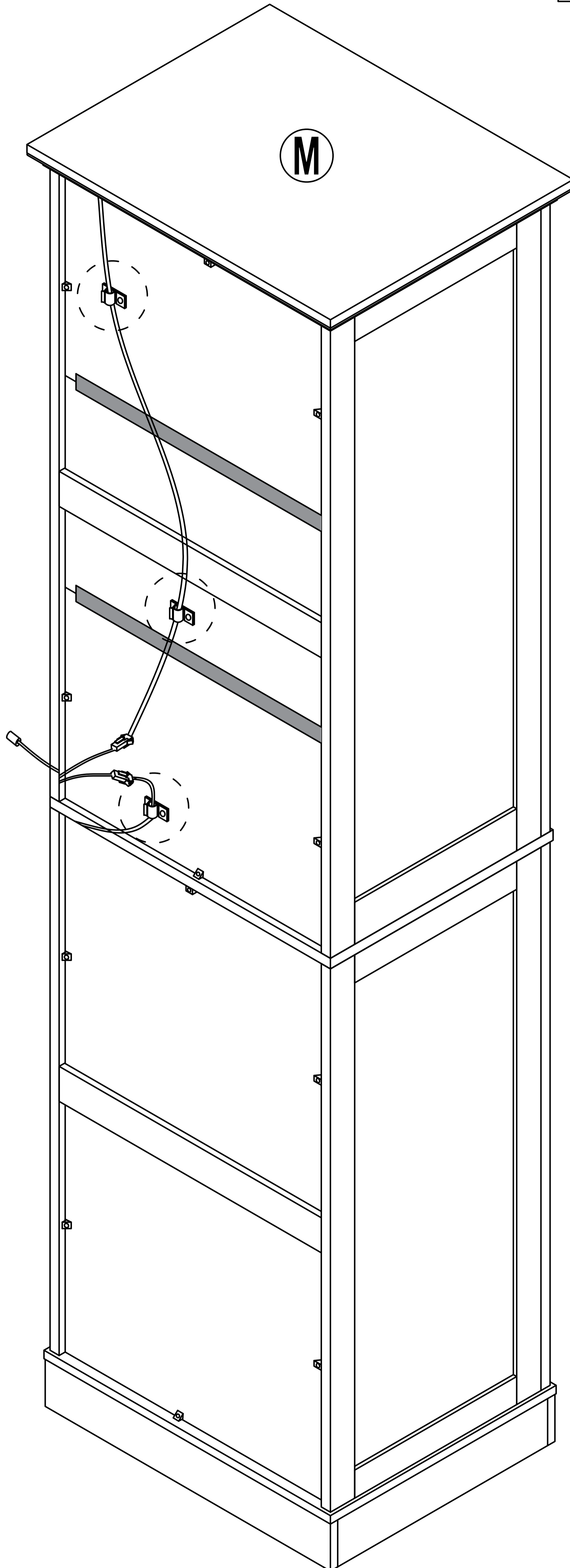
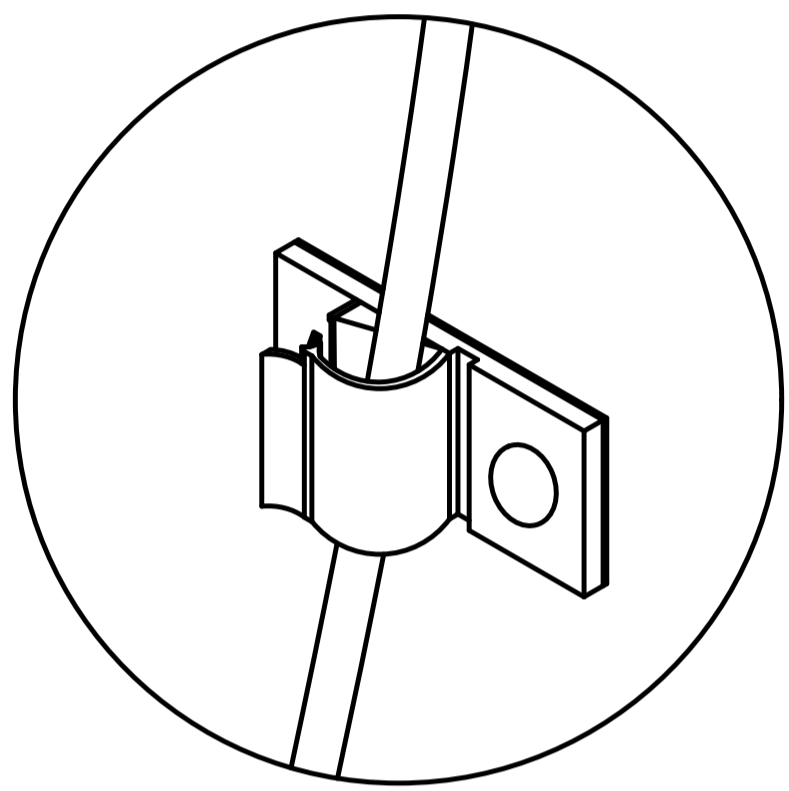


# Step 38

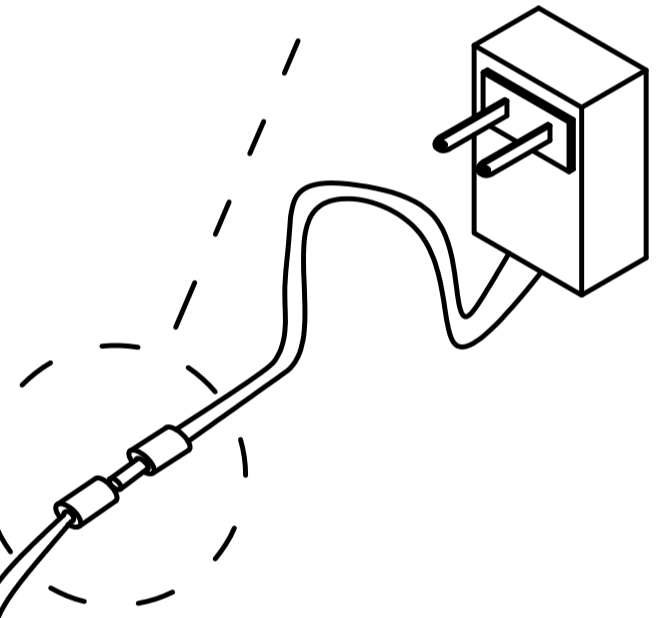
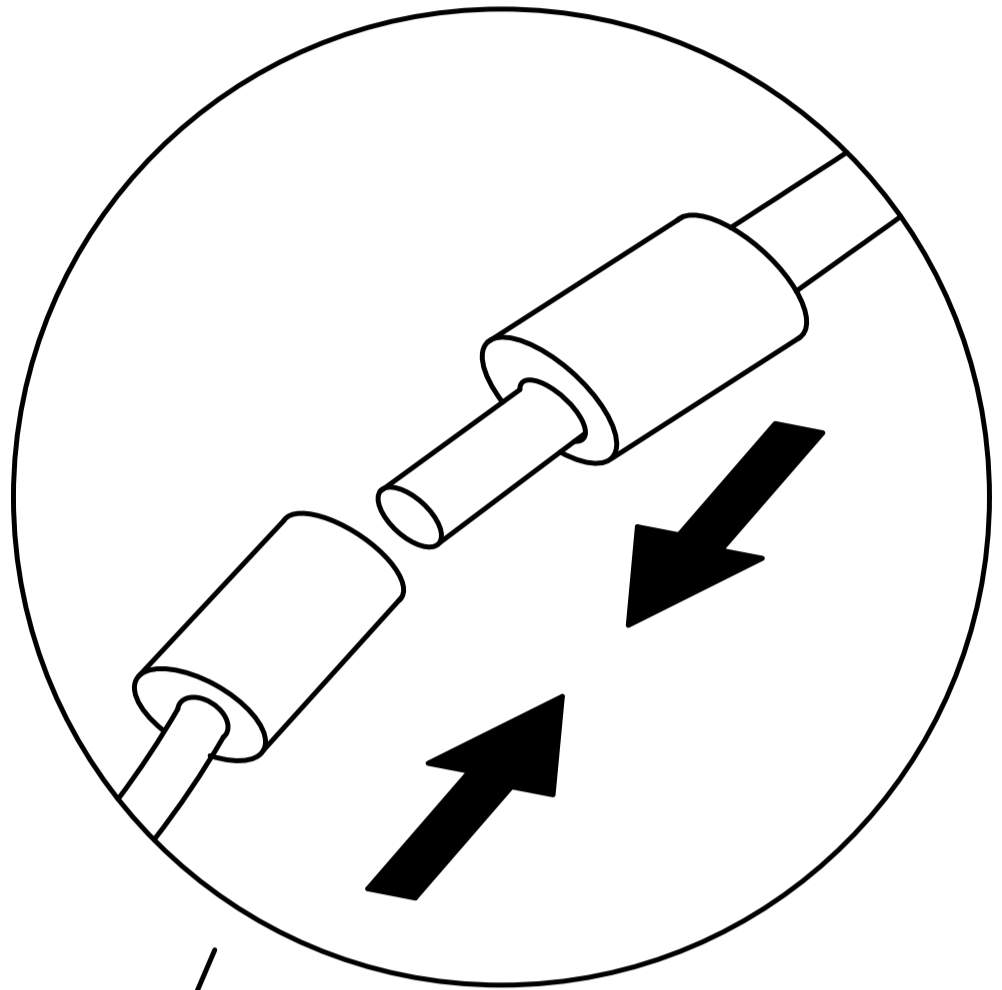
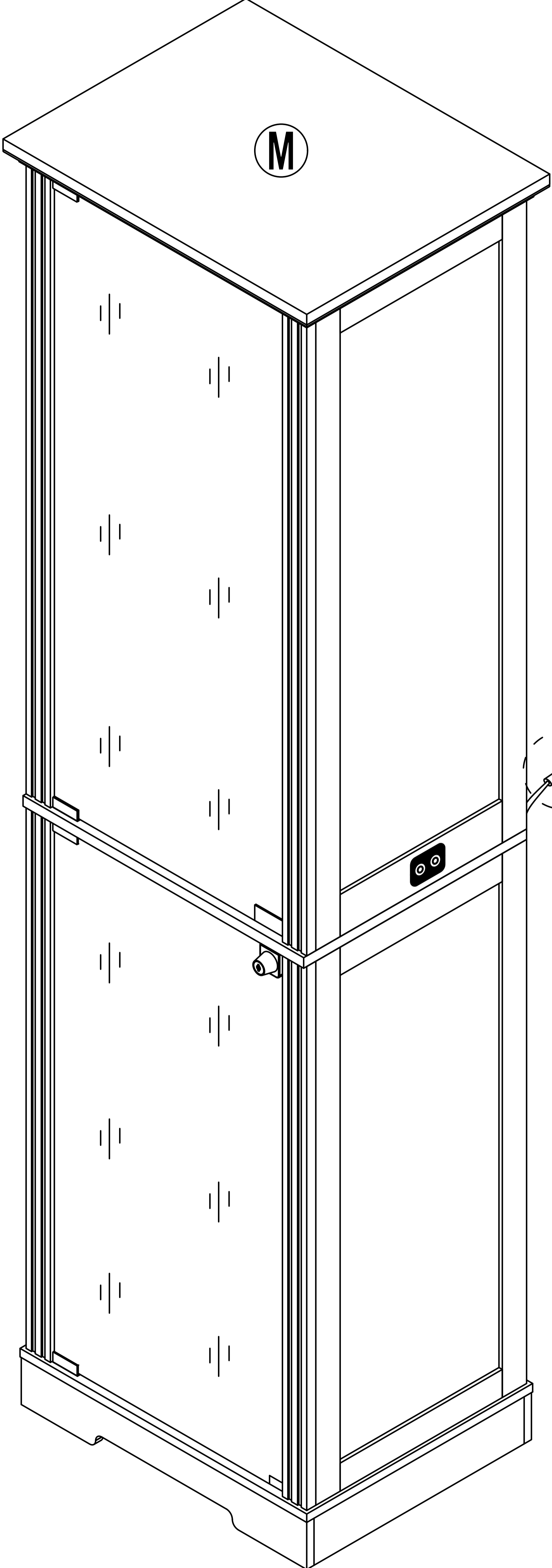
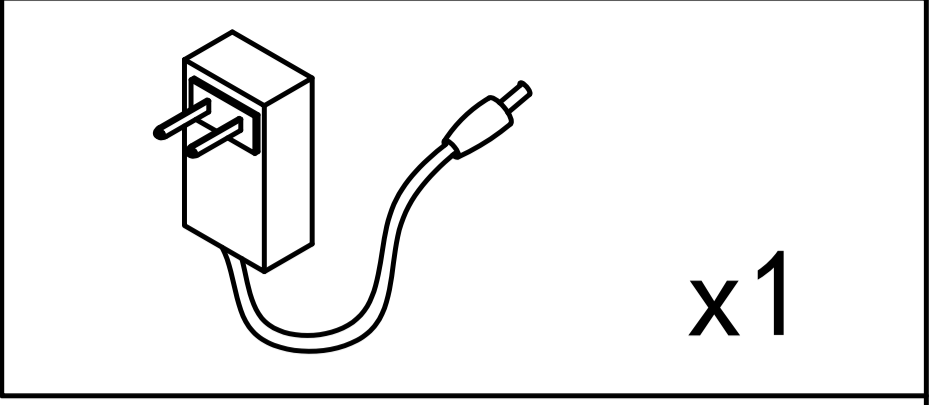
6



x3

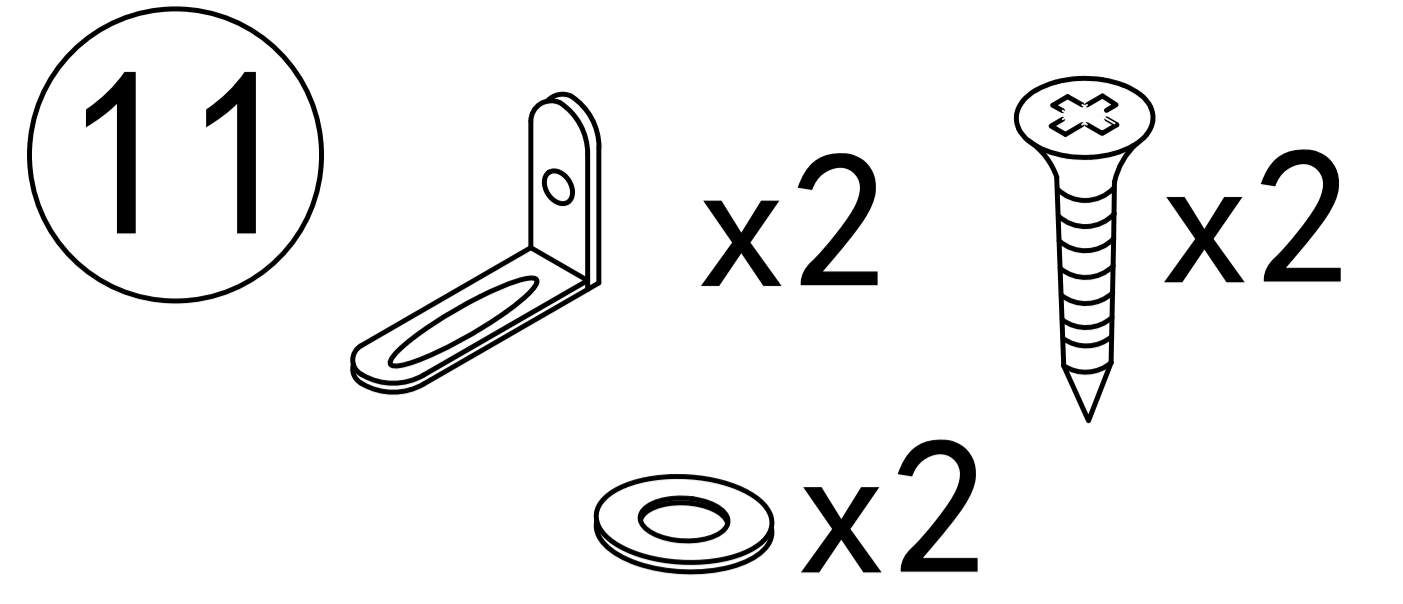


Step 39

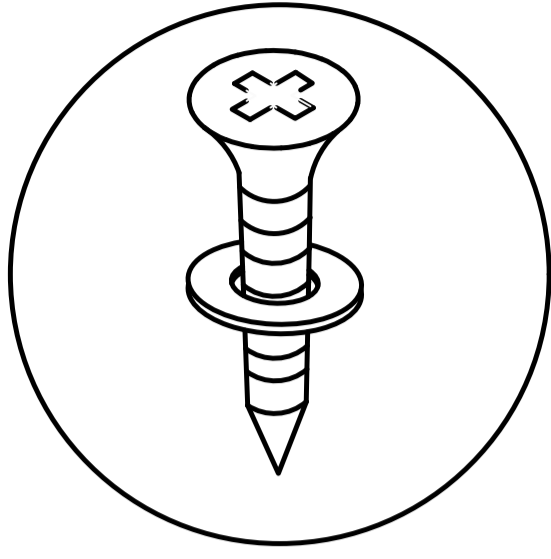


Step 40

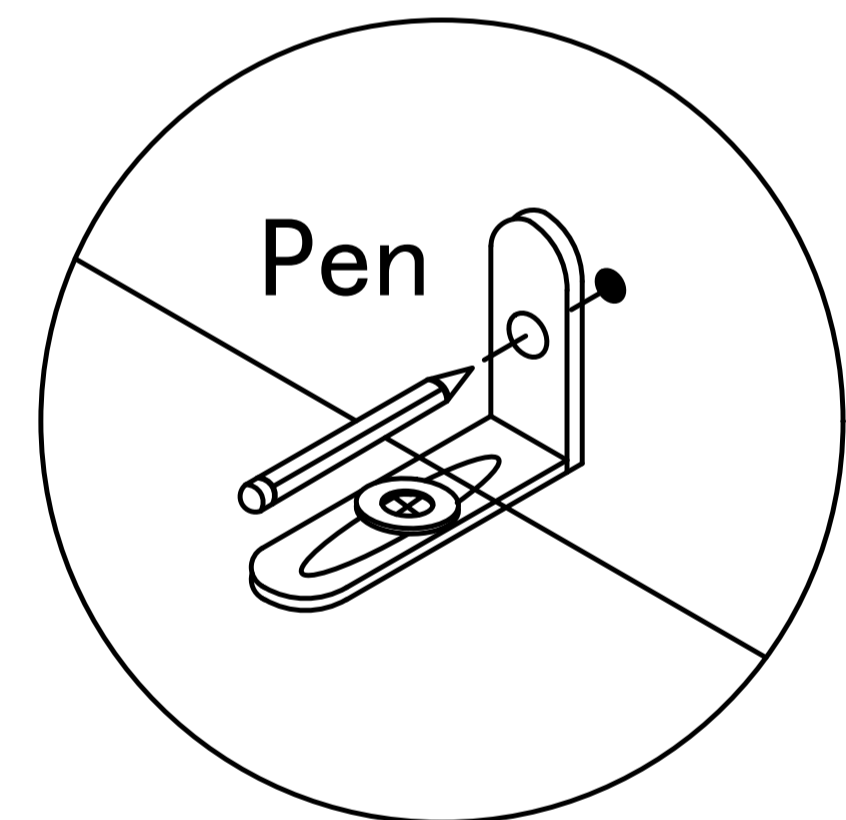
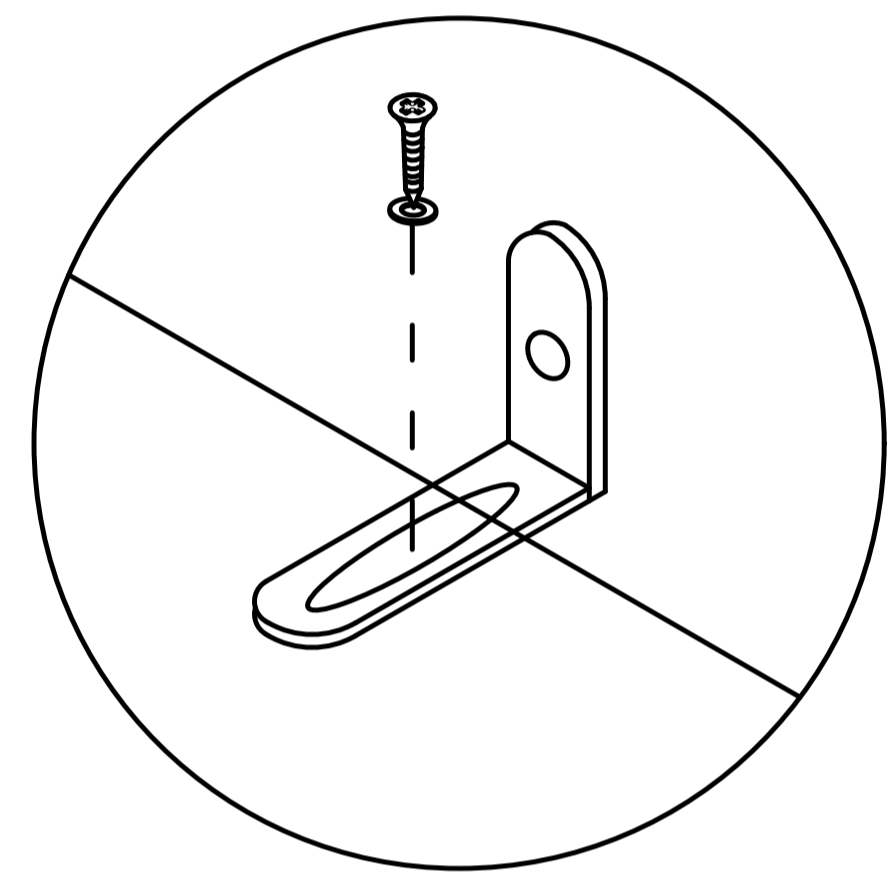
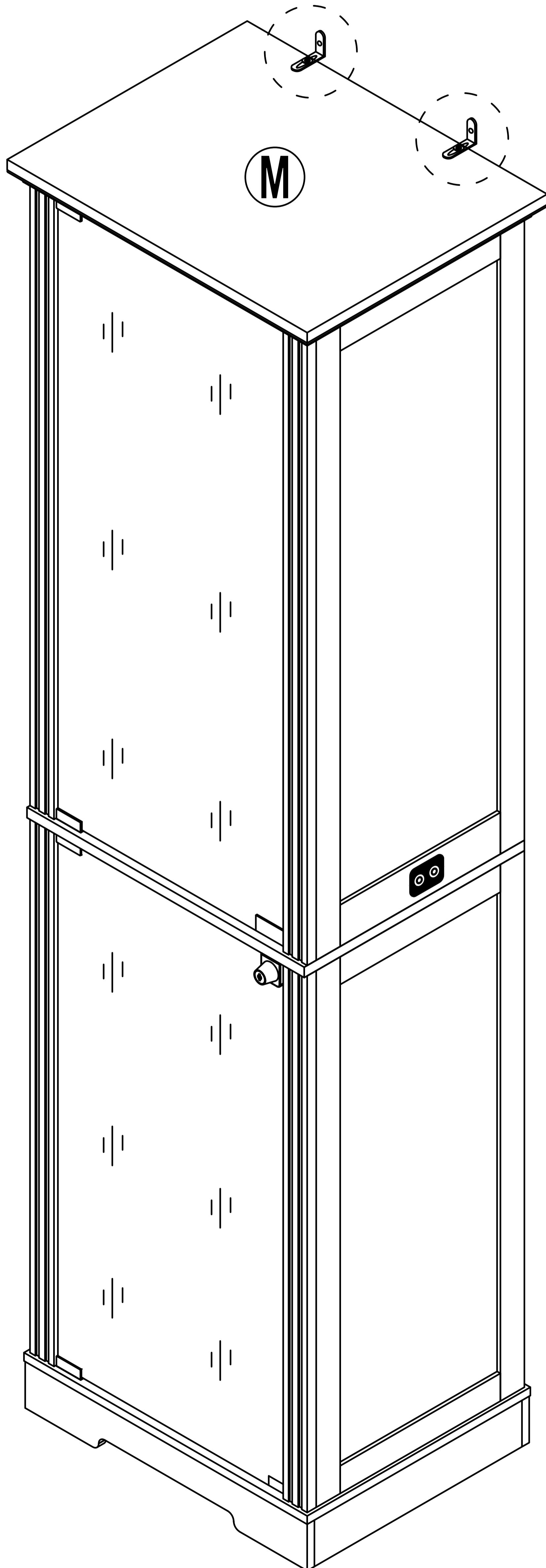
Install as required



3.5x14mm

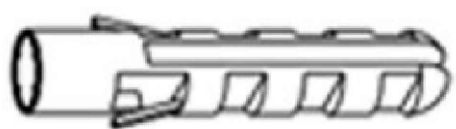
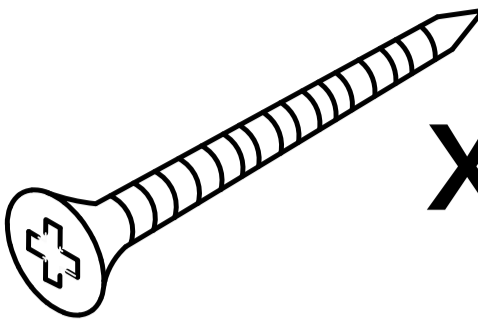



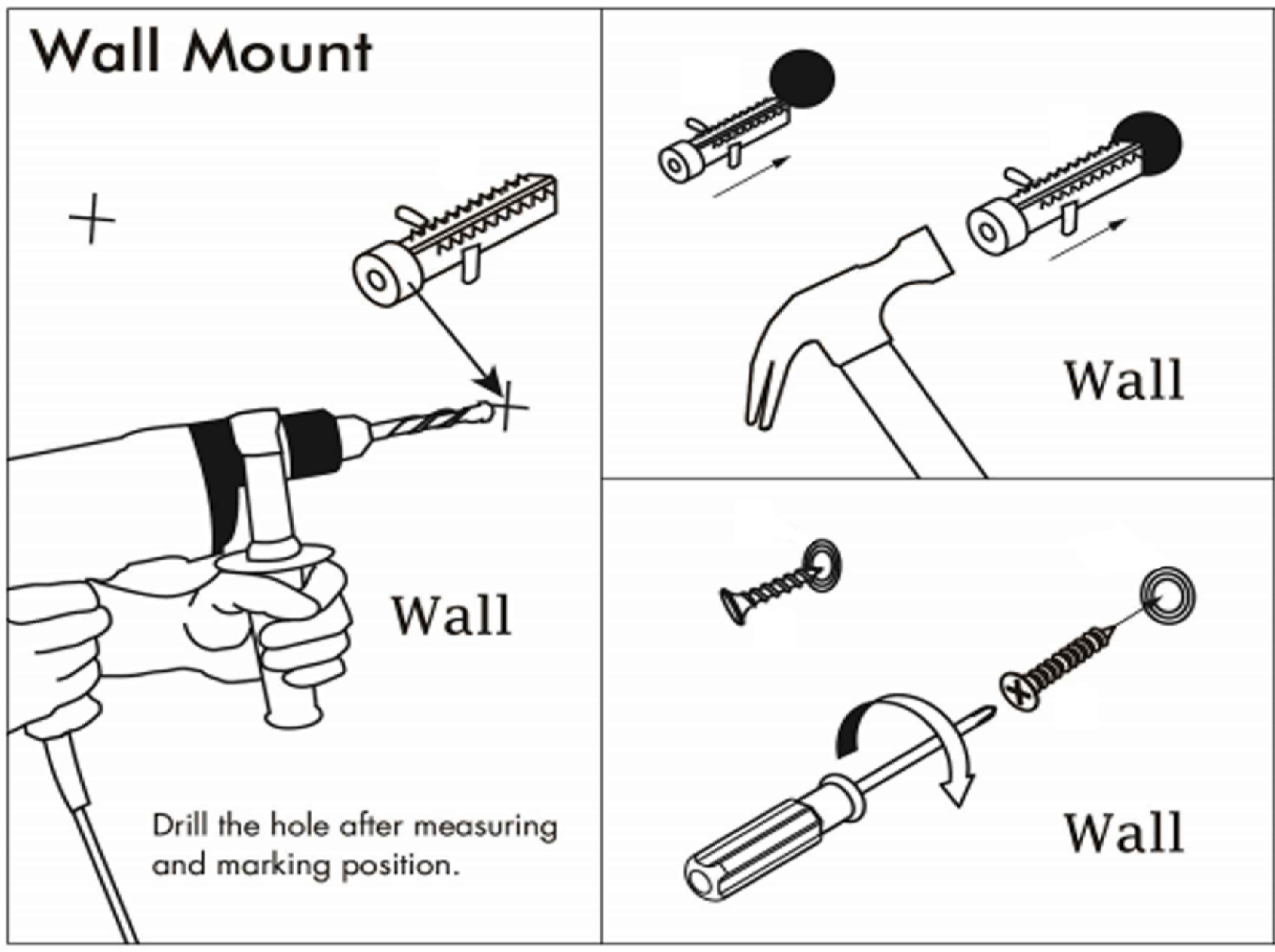
Install the anti fall hardware on the cabinet as shown in the picture first



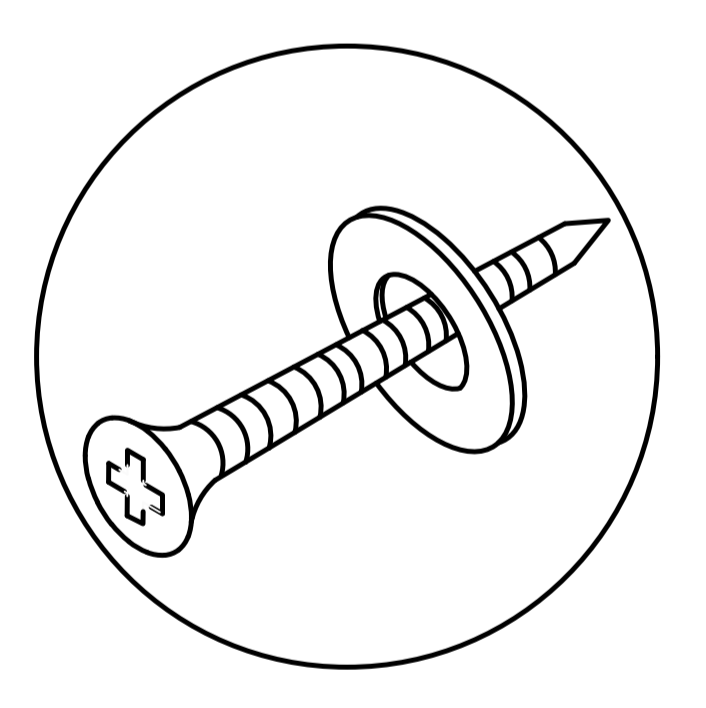
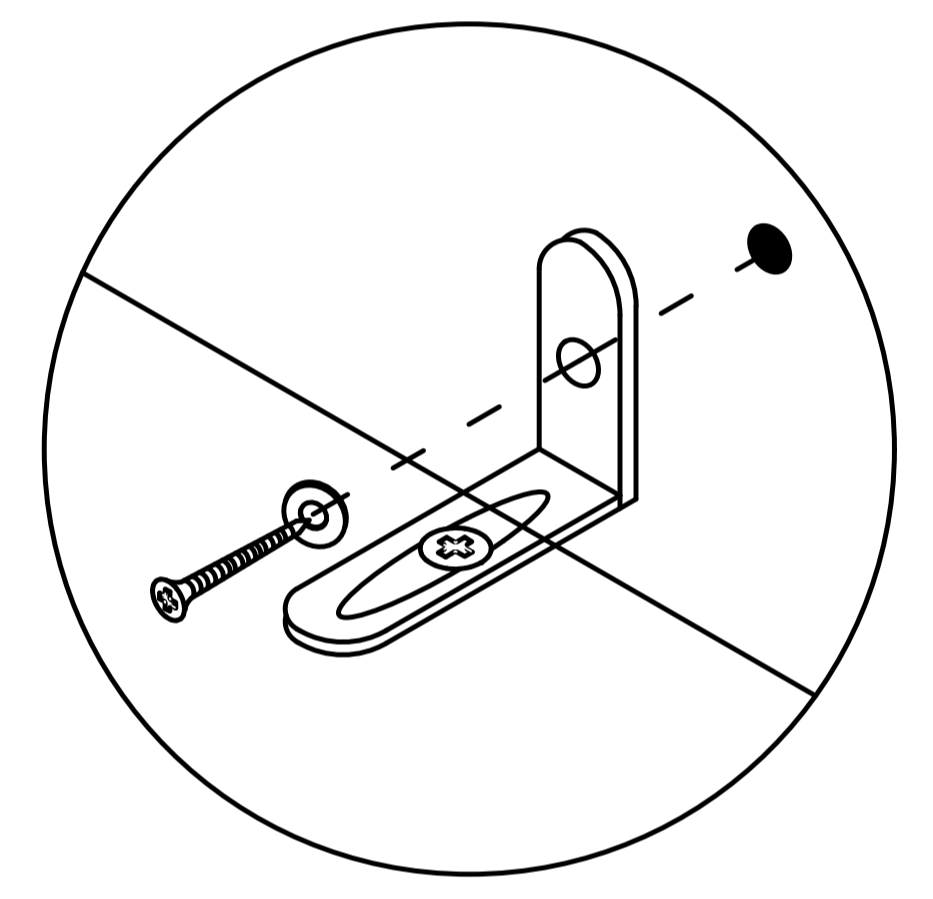
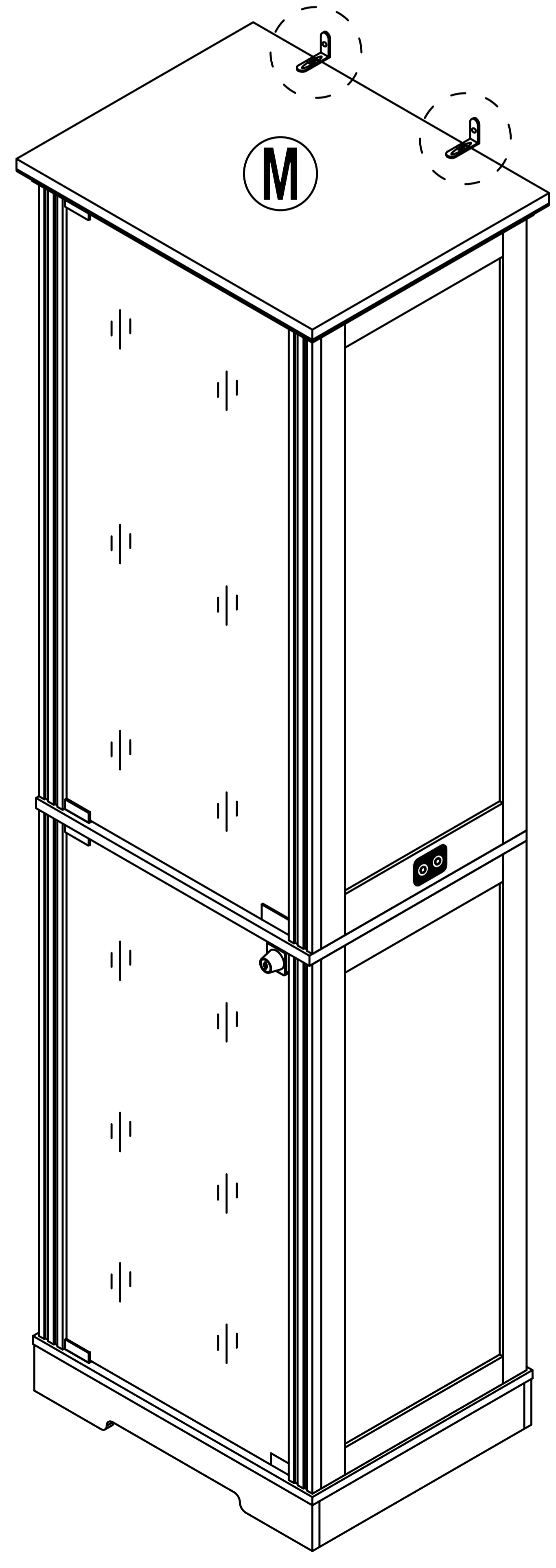
Then mark the wall with a pen through the holes in the anti-fall hardware

# Step 41

- 11  x2
-  x2  x2



Drill the hole with an electric drill and punch in the colloidal particles



4x45mm

Fix the dressing table to the wall

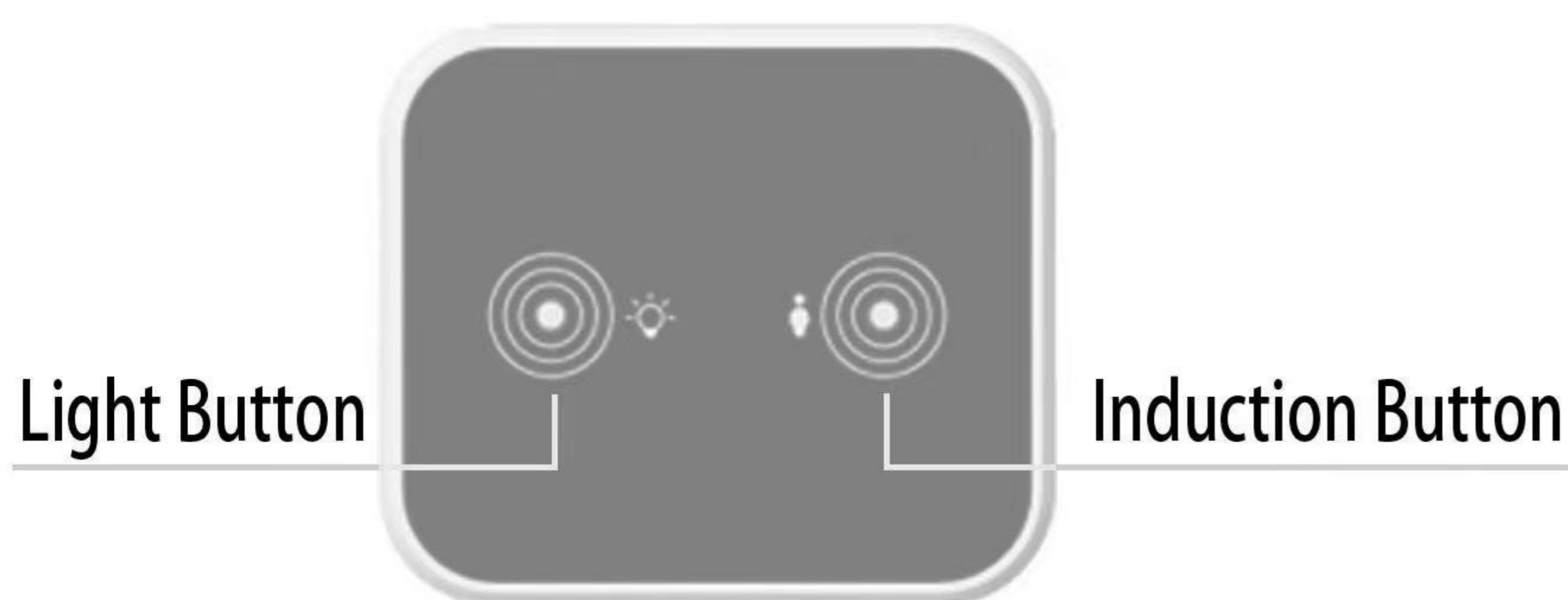
## User's Guide

Thank you for purchasing this product. To use this product, please plug it into a 12V DC power supply. Please use if the product works normally after connecting to power.

## Introduction

The box is an intelligent controller with 2 touch buttons. It can turn ON/OFF the light, change light colors, and adjust the light luminance.

## Product Show



### ATTENTION PLEASE

1. If there is no touch response suddenly, Re-plug the power to reset the touch static electricity.
2. If bubbles appear on the panel, remove the protective film.

## Operation



This touch button is used to turn on/off, change colors, and adjust brightness.

A. Short touch -> lighting on -> short touch -> change light color -> short touch -> change light color -> short touch -> lighting off. B. Long touch -> adjust the luminance



This touch button is used to turn on/off the induction function.

A. Short touch to turn on the induction function. It can auto-turn on the light when people are close to the controller in 1 meters. It can auto power off the light when the body is far away from the controller after 30 seconds.

B. Long touch to turn off the induction function.

C. Note: When you touch the light button to change the light modes, the induction function will automatically turn off. It is best to turn on this function after selecting the light color and adjusting the brightness you want.