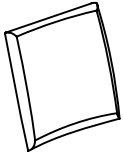


ASSEMBLY INSTRUCTION

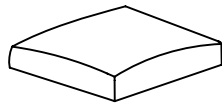
SOFA

A Back Cushion



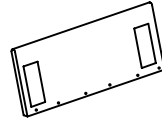
3PCS

B Seat Cushion



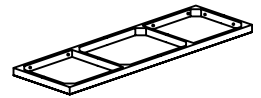
3PCS

C Back Rest



1PC

D Seat Frame



1PC

E Arm Rest-LSF



1PC

F Arm Rest-RSF



1PC

G Stretcher



1PC

H Allen Key
1/4"



1PC

I Bolt
Ø1/4"*2"



22PCS

J Lock Washer
1/4"

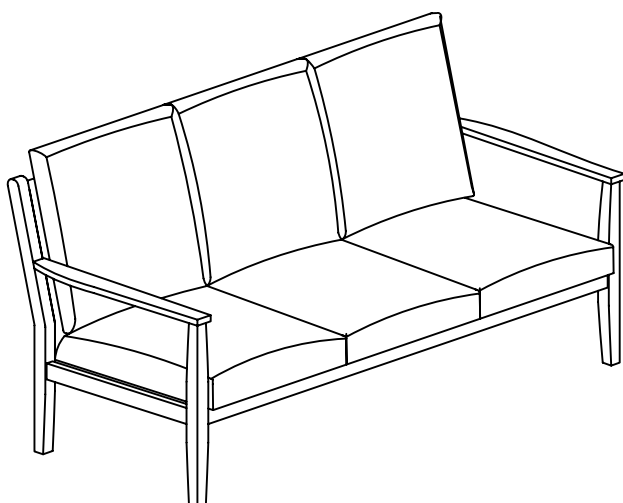


22PCS

K Flat Washer
1/4"*18mm

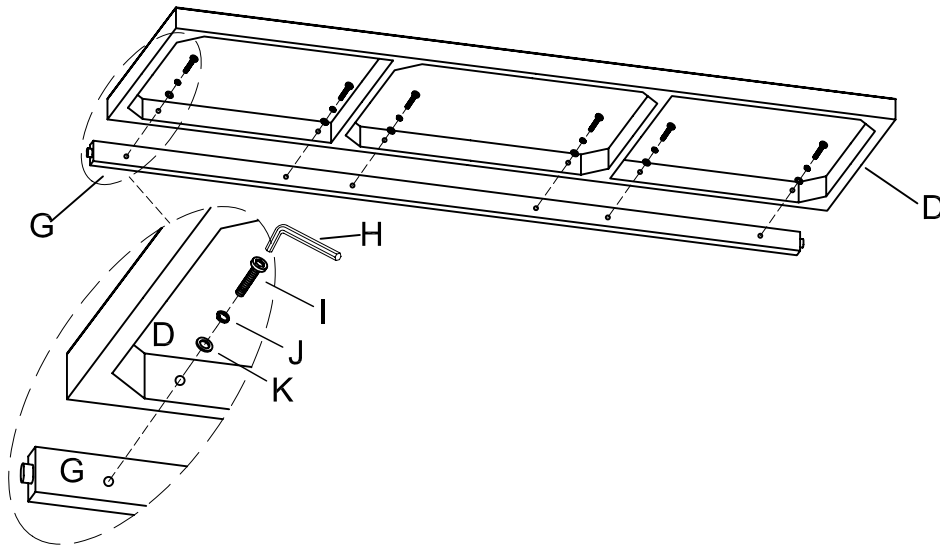


22PCS

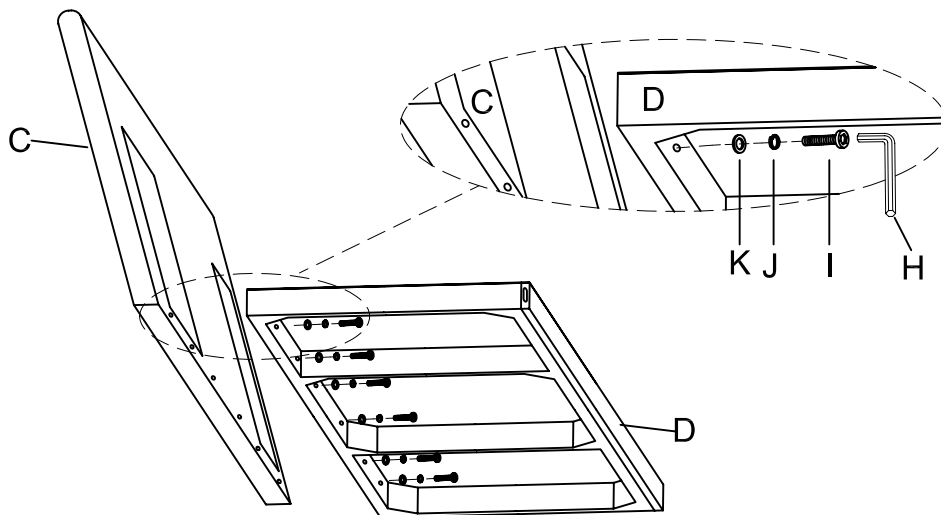


Please take the time to identify the hardware as well as the individual components to this product. As you unpack and prepare for assembly, place the contents on a carpeted or padded area to protect them from damage.

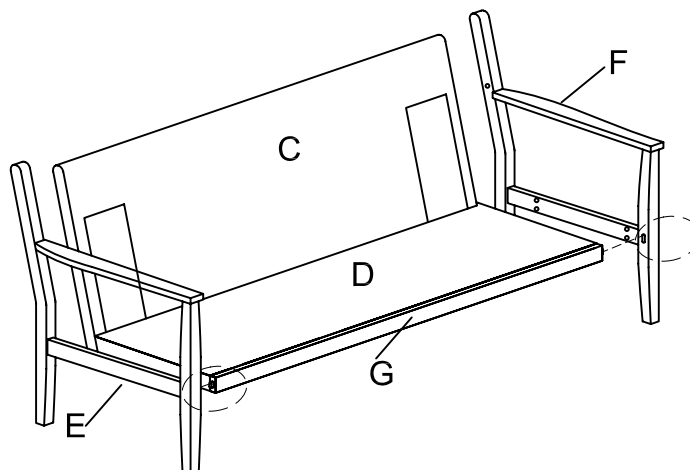
- 1** Attached the Seat Frame (D) to the Stretcher (G) by using Flat Washer (K), Lock Washer (J) and Bolt (I) with Allen Key (H).



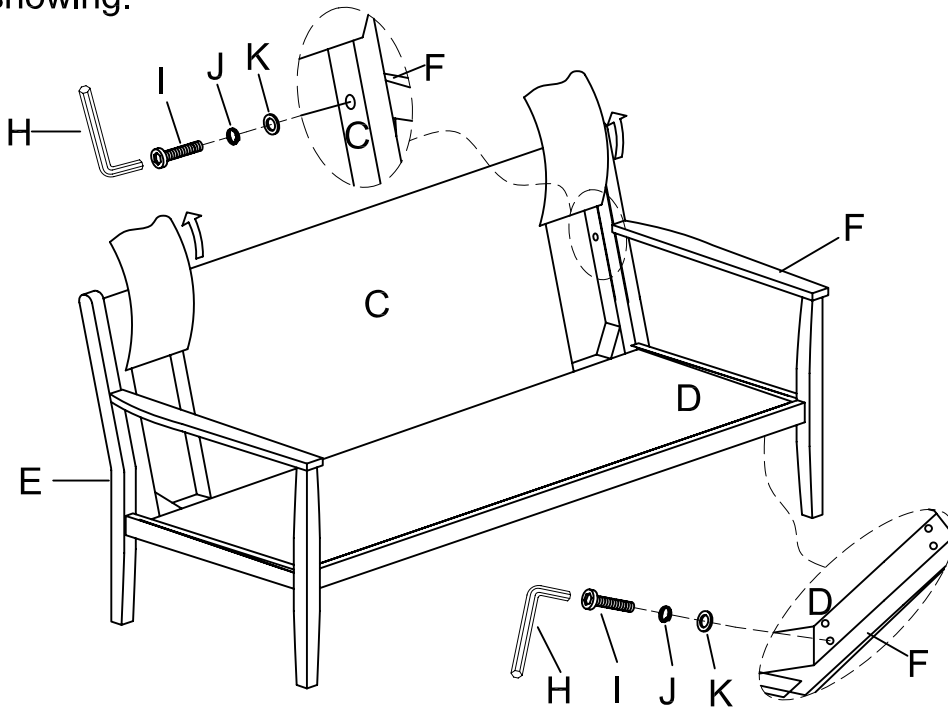
- 2** Attached the assembled Seat Frame (D) to the Back Rest (C) by using Flat Washer (K), Lock Washer (J) and Bolt (I) with Allen Key (H).



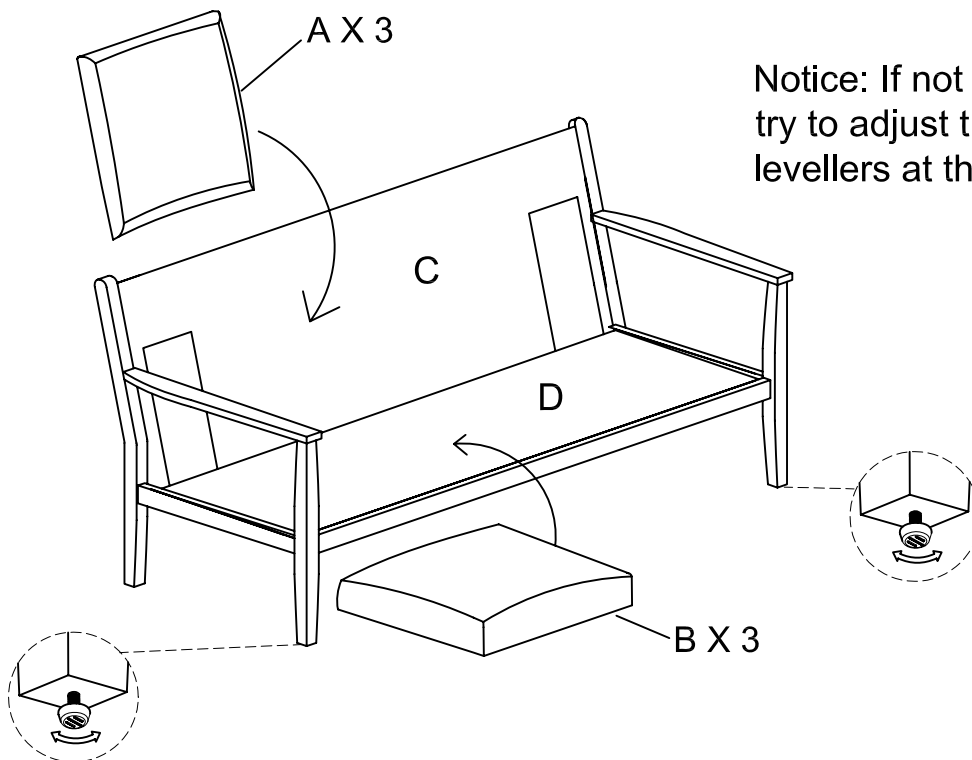
- 3** Insert the pre-assembled wood dowels of the Stretcher (G) into the hole of the Arm Rest-LSF (E) and Arm Rest-RSF (F).



- 4** Attach Arm Rest- LSF (E) and Arm Rest- RSF (F) to the Back Rest (C) and Seat Frame (D) by using Flat Washer (K), Lock Washer (J) and Bolt (I) with Allen Key (H) as below showing.



- 5** Put the Back Cushion (A) and Seat Cushion (B) on the assembled Back Rest (C) and Seat Frame (D).



Cleaning & Care

Treat surface with care. Surface is resistant to scratches but is not scratch resistant. Clean surfaces with a dry or damp soft cloth. Do not use abrasive cleaners. Hardware may loosen over time. Periodically check that all connections are right.