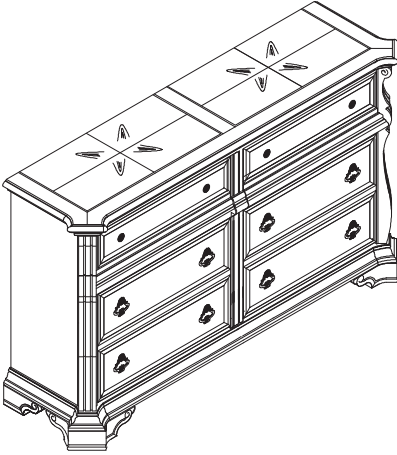


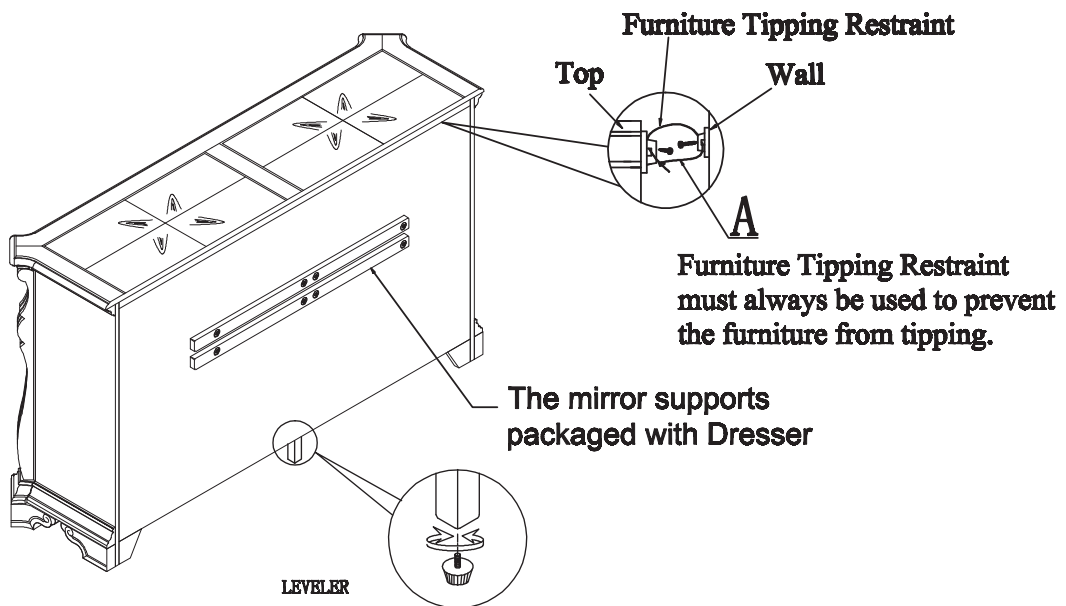
ASSEMBLY INSTRUCTION

DESCRIPTION: 8 DRAWER DOUBLE DRESSER

Thank you for purchasing this quality product. Be sure to check all packing material carefully for small parts which may have some loose inside the carton during shipment. Identify and count all parts and compare with the parts List Below:



HARDWARE LIST			
NO.	Drawing	Description	Q'ty
A		Furniture Tipping Restraint	1 Set



CLEANING INSTRUCTION

Clean the Dresser surface with a furniture polish and a soft cloth.